



**REPAIR PARTS MANUAL**  
**MODEL NO. WZ14542D**  
**LAWN TRACTOR**

---

**WIZARD**

# HOW TO USE THIS MANUAL

This manual is designed to provide the customer with a means to identify the parts on his/her tractor when ordering repair parts. The illustrations may or may not represent the actual assemblies; therefore, it is not recommended to use this manual as a guide to assemble or disassemble the tractor. Some hardware and parts are drawn larger in order to more readily identify them.

Each tractor has its own model number.

The model number for your tractor can be found on the fender under the seat.

When ordering parts, always give the following information:

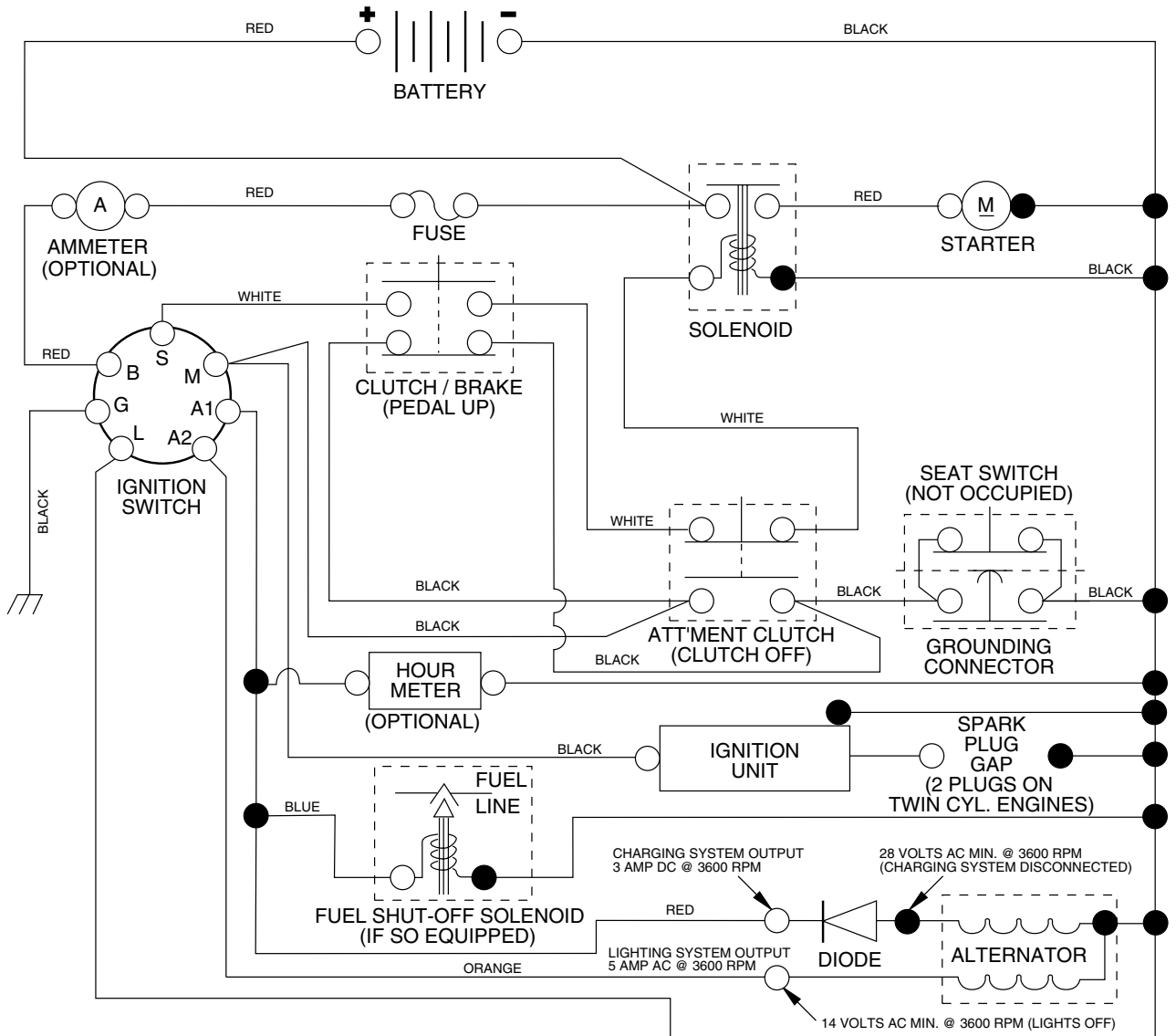
- Product - "Lawn Tractor"
- Model Number - "WZ14542D"
- Part Number
- Part Description

## TABLE OF CONTENTS

<b>SCHEMATIC</b> .....	<b>3</b>
<b>ELECTRICAL</b> .....	<b>4-5</b>
<b>CHASSIS</b> .....	<b>6-7</b>
<b>DRIVE</b> .....	<b>8-9</b>
<b>STEERING WHEEL</b> .....	<b>10-11</b>
<b>ENGINE</b> .....	<b>12-13</b>
<b>MOWER DECK</b> .....	<b>14-15</b>
<b>MOWER LIFT LEVER</b> .....	<b>16</b>
<b>SEAT</b> .....	<b>17</b>
<b>DECALS</b> .....	<b>18</b>
<b>WARRANTY</b> .....	<b>19-20</b>

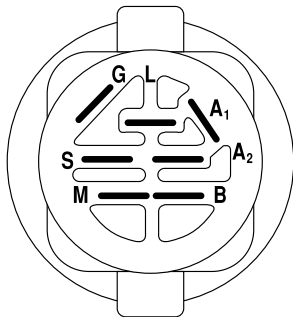
# TRACTOR - - MODEL NUMBER WZ14542D

## SCHEMATIC



### NOTE

YOUR TRACTOR IS EQUIPPED WITH A SPECIAL ALTERNATOR SYSTEM. THE LIGHTS ARE NOT CONNECTED TO THE BATTERY, BUT HAVE THEIR OWN ELECTRICAL SOURCE. BECAUSE OF THIS, THE BRIGHTNESS OF THE LIGHTS WILL CHANGE WITH ENGINE SPEED. AT IDLE THE LIGHTS WILL DIM. AS THE ENGINE IS SPEEDED UP, THE LIGHTS WILL BECOME THEIR BRIGHTEST.



IGNITION SWITCH

POSITION	CIRCUIT	"MAKE"
OFF	M+G+A1	NONE
RUN/LIGHT	B+A1	A2+L
RUN	B+A1	NONE
START	B + S + A1	NONE

### WIRING INSULATED CLIPS

**NOTE:** IF WIRING INSULATED CLIPS WERE REMOVED FOR SERVICING OF UNIT, THEY SHOULD BE REPLACED TO PROPERLY SECURE YOUR WIRING.

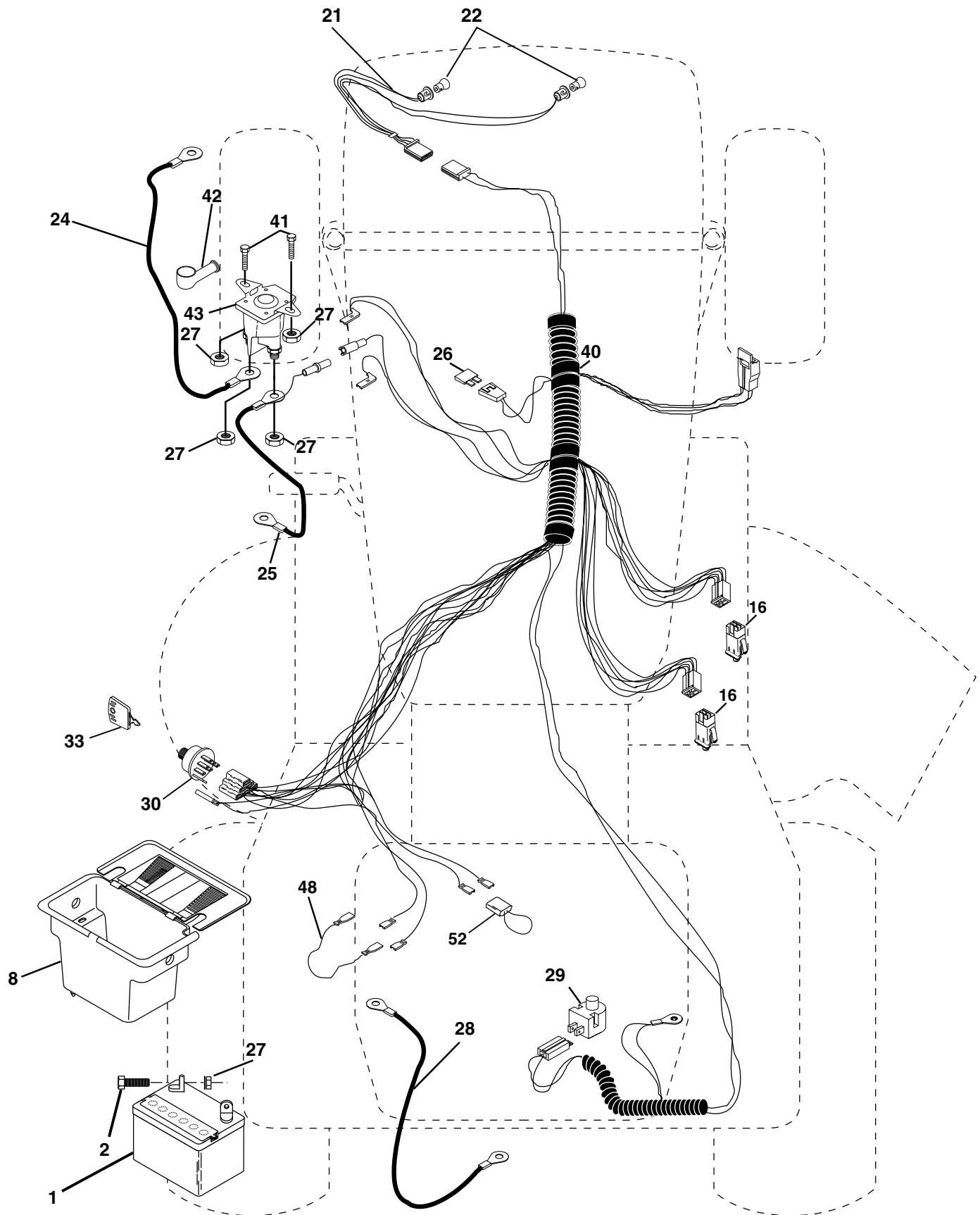
NON-REMOVABLE CONNECTIONS

REMOVABLE CONNECTIONS

# REPAIR PARTS

## TRACTOR - - MODEL NUMBER WZ14542D

### ELECTRICAL



# REPAIR PARTS

## TRACTOR - - MODEL NUMBER WZ14542D

### ELECTRICAL

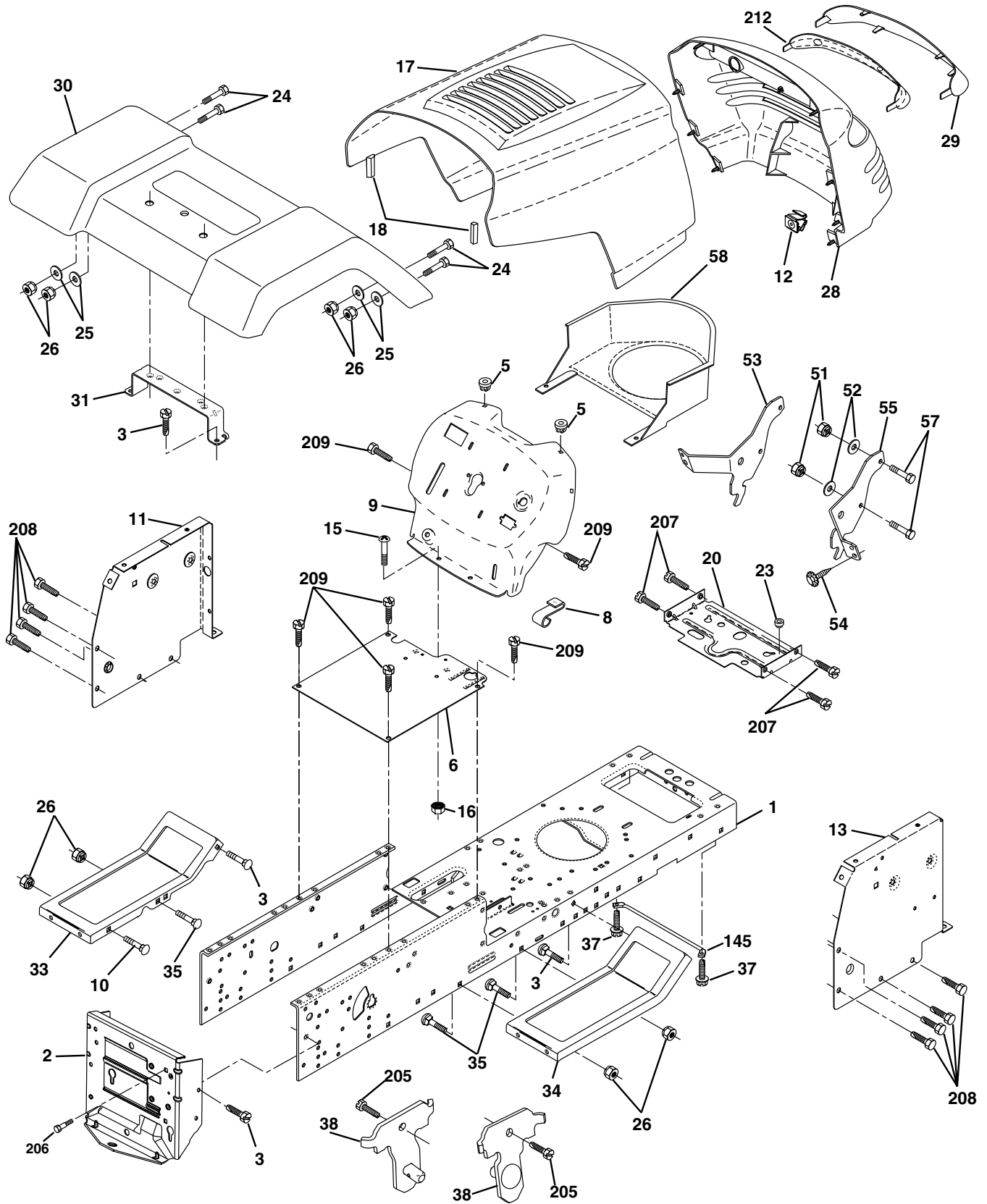
KEY NO.	PART NO.	DESCRIPTION
1	144925	Battery 12 Volt 25 AMP
2	74760412	Bolt Hex Hd 1/4-20unc X 3/4
8	156417	Case Battery
16	153664	Switch Interlock Push-In
21	166181	Harness Asm Light W/4152j
22	4152J	Bulb Light #1156
24	4799J	Cable Battery 6 Ga 11" red
25	146147	Cable Battery 6 Ga 44" red
26	175158	Fuse 15 AMP
27	73510400	Nut Keps Hex 1/4-20
28	4207J	Cable Ground 6 Ga 12" black
29	121305X	Switch Plunger Nc Gray
30	175566	Switch Ign
33	140401	Key Ign
40	<b>178437</b>	Harness Ignition
41	71110408	Bolt Blk Fin Hex 1/4 - 20 x 1/2
42	131563	Cover Terminal Red
43	<b>178861</b>	Solenoid
48	140844	Adapter Ammeter
52	141940	Protection Wire Loop

**NOTE:** All component dimensions give in U.S. inches  
1 inch = 25.4 mm.

# REPAIR PARTS

## TRACTOR - - MODEL NUMBER WZ14542D

### CHASSIS AND ENCLOSURES



# REPAIR PARTS

## TRACTOR - - MODEL NUMBER WZ14542D

### CHASSIS AND ENCLOSURES

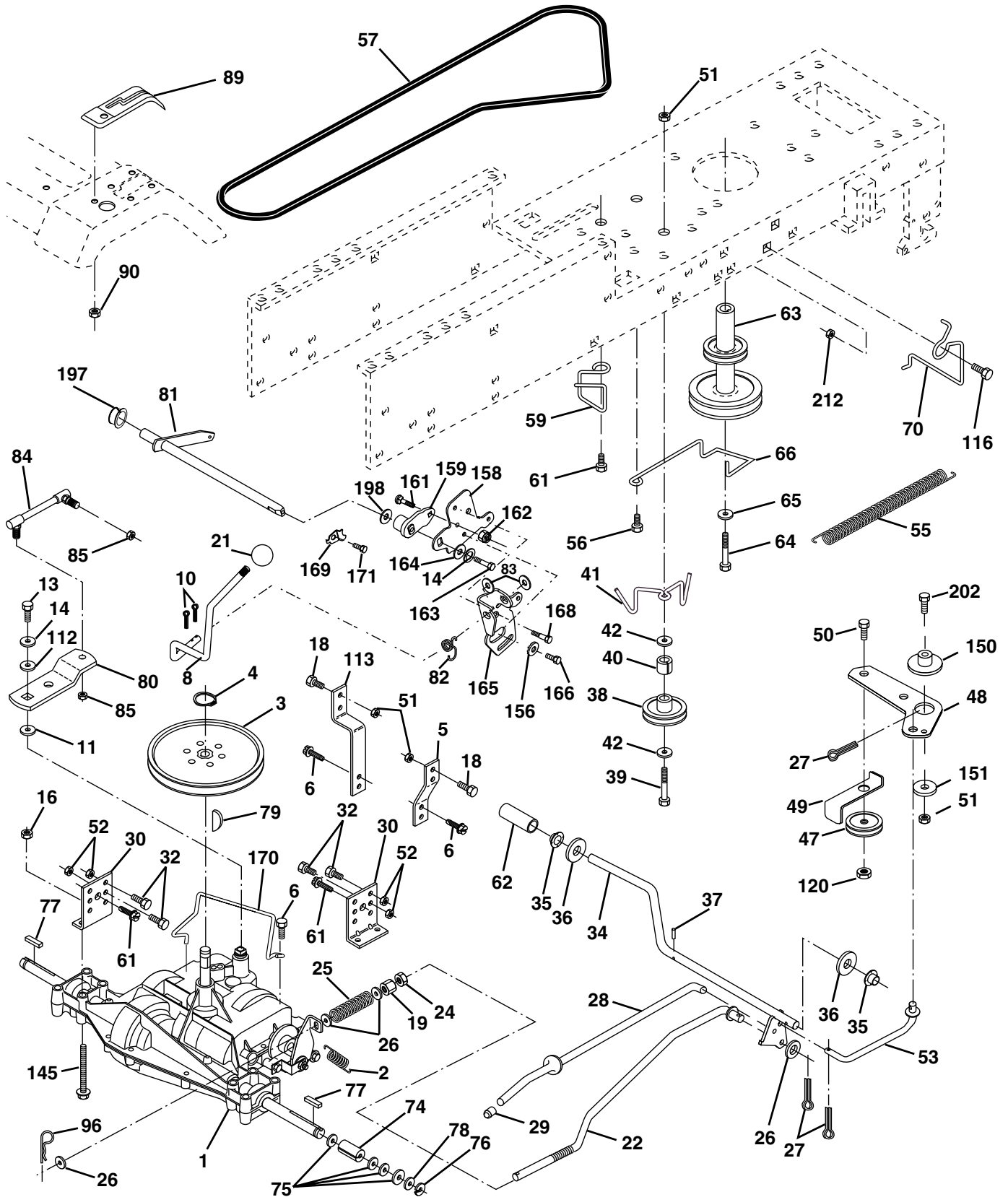
KEY NO.	PART NO.	DESCRIPTION
1	<b>174620</b>	Chassis
2	<b>176554</b>	Drawbar 12 Ga.
3	17060612	Screw 3/8-16x3/4
5	155272	BumperHood/Dash
6	155923	Saddle LT Fender Shift
8	155138	Clip Retainer Slide-On
9	168347X011	Dash Private Label
10	72140608	Bolt Carriage 3/8-16 x 1
11	155927	Panel Pnt Dash Lh
12	145660	Clip Tinnerman Grille P/L
13	172107X010	Panel Dash Rh
15	74180512	Screw, Mach Trhd 5/16-18 UNC x 3/4
16	73510500	Nut Keps 5/16-18 UNC
17	159639X505	Hood Paint Steel Private Label
18	126938X	BumperHood
20	156437	Plate Battery
23	124028X	Bushing Snap
24	74780616	Bolt Fin Hex 3/8-16unc X 1 Gr. 5
25	19131312	Washer 13/32 X 13/16 X 12 Ga
26	73800600	Nut Lock Hex W/Ins 3/8-16 Unc
28	140434	Grille Private Label
29	140273X599	Lens Grille Private Label
30	169467X505	Fender Pnt
31	136619	Bracket Fender
33	145244X505	Footrest Pnt Lh
34	145243X505	Footrest Pnt Rh
35	72110606	Bolt Rdhd Sht Sqnk 3/8-16 X3/4
37	17490508	Screw Thdrol 5/16-18 x 1/2 Tyt
38	<b>175710</b>	Bracket, Asm. Pivot, Mower Rear
51	73800400	Nut Lock Hex W/Ins 1/4-20
52	19091416	Washer 9/32 x 7/8 x 16 Ga.
53	144697	Bracket, Grille, LH
54	161464	Screw Hex Wshd 8-18 x 7/8
55	144696	Bracket, Grille, RH
57	74780412	Bolt Hex 1/4-20 x 3/4
58	150127	Air Duct P/L
145	156524	Rod Pivot Chassis/Hood
205	<b>17490608</b>	Screw Thdrol 3/8-16 x 1/2
206	170165	Bolt, Shoulder 5/16-18
207	17670508	Screw Thdrol 5/16-18 x 1/2
208	17670608	Screw 3/8-16 x 1/2 B.D.
209	17000612	Screw Hxwsh 3/8-16 x 3/4
212	156229	Insert Lens
--	5479J	Plug Button

**NOTE:** All component dimensions given in U.S. inches  
1 inch = 25.4 mm

# REPAIR PARTS

## TRACTOR - - MODEL NUMBER WZ14542D

### DRIVE





# REPAIR PARTS

## TRACTOR - - MODEL NUMBER WZ14542D

### DRIVE

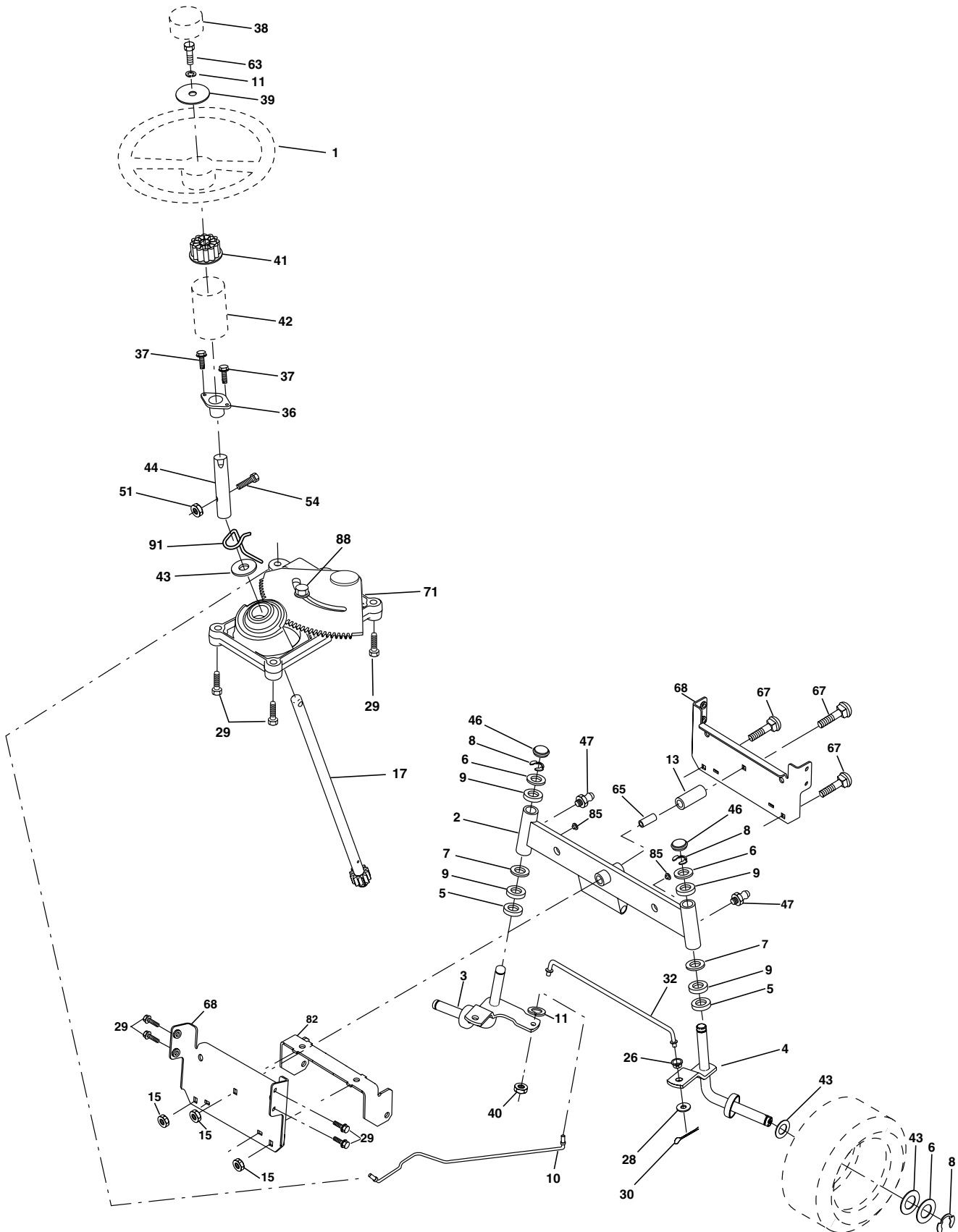
KEY NO.	PART NO.	DESCRIPTION	KEY NO.	PART NO.	DESCRIPTION
1	-----	Transaxle, Peerless 206-545C Order Parts From Transaxle Manufacturer	62	8883R	Cover Pedal Blk Round
2	146682	Spring Return Brake T/a Zinc	63	<b>175410</b>	Engine Pulley LT/YT
3	123666X	Pulley Transaxle 18" tires	64	71170764	Bolt Hex
4	12000028	Ring Retainer #5100-62	65	10040700	Washer Lock Hvy Hlcl Spr 7/16
5	121520X	Strap Torque 30 Degrees	66	154778	Keeper Belt Engine
6	17060512	Screw Thdrol 5/16-18 X 3/4 TYT	70	134683	Guide Belt Mower Drive RH
8	165619	Rod Shifter	74	137057	Spacer Axle
10	76020416	Pin Cotter 1/8 X 1 Cad	75	121749X	Washer 25/32 X 1 1/4 X 16 Ga
11	105701X	Washer Plate Shf 388 Sq Hole	76	12000001	E-ring
13	74550412	Bolt 1/4-28 Unf Gr 8 W/Patch	77	123583X	Key Square 2 0 X 1845/ 1865
14	10040400	Washer Lock Hvy Helical 1/4	78	121748X	Washer 25/32 X 1-5/8 X 16 Ga
16	73800500	Nut, Lock	79	2228M	Key Woodruff #9 3/16 x 3/4
18	74780616	Bolt, Fin Hex 3/8-16 x 1 Gr. 5	80	131486	Arm Shift
19	73800600	Nut Lock 3/8-16 Unc	81	165594	Shaft
21	106933X	Knob	82	123782X	Spring Torsion T/a
22	130804	Rod Brake Blk Zinc 26 840	83	19171216	Washer 17/32 X 3/4 X 16 Ga
24	73350600	Nut Hex Jam 3/8-16 Unc	84	166228	Link, Transaxle
25	106888X	Spring Rod Brake 2 00 Zinc	85	150360	Nut Lock Center 1/4 - 28 FNTHD
26	19131316	Washer 13/32 X 13/16 X 16 Ga	89	169372X428	Console Shift
27	76020412	Pin Cotter 1/8 X 3/4 Cad	90	124346X	Nut Self-thd Wsh-hd 1/4 Zinc
28	<b>175765</b>	Rod Brake Parking LT/YT	96	4497H	Retainer Spring
29	71673	Cap Brake Parking Black	112	19091210	Washer 9/32 x 3/4 x 10 Ga.
30	174973	Bracket Mtg Transaxle	113	127285X	Strap Torque LT
32	74760512	Bolt Hex Hd 5/16-18unc X 3/4	116	<b>72140608</b>	Bolt Rdhd Sq Neck 3/8-16 x 1
34	<b>175578</b>	Shaft Asm Pedal Foot	120	73900600	Nut Lock Flg. 3/8-16 Unc
35	120183X	Bearing Nylon Blk 629 Id	145	74490540	Bolt Hex Flghd 5/16-18
36	19211616	Washer 21/32 X 1 X 16 Ga	150	<b>175456</b>	Spacer
37	1572H	Pin Roll 3/16 X 1"	151	19133210	Washer 13/32 x 2 x 10 Ga.
38	<b>165936</b>	Pulley Idler Flat	156	166002	Washer Srrted 5/16ID x 1 x .125
39	<b>74760648</b>	Bolt Fin Hex 3/8-16unc X 3	158	165589	Bracket Shift Mount
40	<b>74760648</b>	Spacer Split 395 X 59 Bzp	159	165494	Hub Tapered Flange Shift Lt
41	<b>175556</b>	Keeper Belt	161	72140406	Bolt Rdhd Sqnk 1/4-20 x 3/4 Gr 5
42	19131312	Washer 13/32 X 13/16 X 12 Ga	162	73680400	Nut Crownlock 1/4-20 Unc
47	127783	Pulley Idler V Groove Plastic	163	74780416	Bolt Hex Fin 1/4-20 Unc x 1 Gr 5
48	154407	Bellcrank Clutch Grnd Drv Stl	164	19091010	Washer 5/8 x .281 x 10 Ga
49	123205X	Retainer Belt Style Spring	165	165623	Bracket Pivot Lever
50	74760624	Bolt Hex Hd 3/8-16unc X 1-1/2	166	166880	Screw 5/16-18 x 5/8
51	73680600	Nut Crownlock 3/8-16 Unc	168	165492	Bolt Shoulder 5/16-18 x .561
52	73680500	Nut Crownlock 5/16-18 Unc	169	165581	Plate Fastening Lt
53	105710X	Link Clutch	170	<b>173898</b>	Keeper Belt
55	105709X	Spring Return Clutch 6 75	171	17490608	Screw Thdrol 3/8-16 x 1/2 Ty-Tt
56	<b>17060616</b>	Screw 3/8-16 X 1	197	169613	Nyliner, Snap-In
57	130801	V-Belt Ground Drive 95 25	198	169593	Washer, Nylon
59	169691	Keeper Belt Span Ctr	202	<b>72110614</b>	Bolt, Carriage
61	17060612	Screw Thdrol 3/8-16x3/4	212	<b>145212</b>	Hex Flange Lock

**NOTE:** All component dimensions give in U.S. inches.  
1 inch = 25.4 mm.

# REPAIR PARTS

## TRACTOR - - MODEL NUMBER WZ14542D

### STEERING ASSEMBLY



# REPAIR PARTS

## TRACTOR - - MODEL NUMBER WZ14542D

### STEERING ASSEMBLY

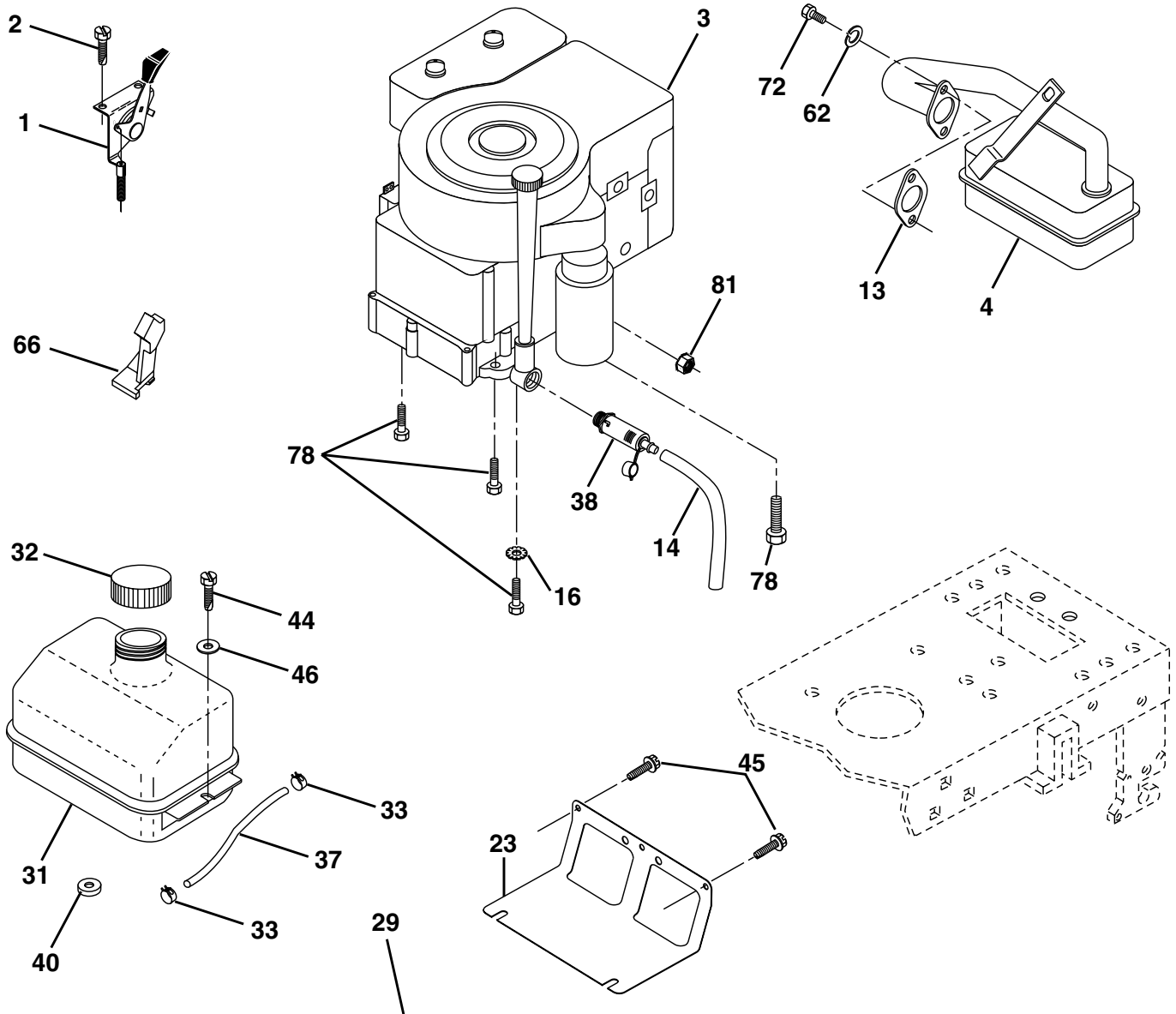
KEY NO.	PART NO.	DESCRIPTION
1	140044X428	Wheel Steering Blk
2	154427	Axle Asm Fr LT W/gzks 38/42
3	169840	Spindle Asm LH
4	169839	Spindle Asm RH
5	6266H	Bearing Race Thrust Harden
6	121748X	Washer 25/32 X 1-5/8 X 16 Ga
7	19272016	Washer 27/32 X 1-1/4 X 16 Ga
8	12000029	Ring Klip #t5304-75
9	3366R	Bearing Col Strg Blk
10	<b>175121</b>	Link Drag
11	10040600	Washer Lock Hvy Hlcl Spr 3/8
13	136518	Bearing Axle
15	145212	Nut Lock Flange
17	<b>177876</b>	Shaft Asm Strg Private Label
26	126847X	Bushing Link Drag Blk LR
28	19131416	Washer 13/32 X 7/8 X 16 Ga
29	17060612	Screw 3/8-16x3/4
30	76020412	Pin Cotter 1/8 X 3/4 Cad
32	130465	Rod Tie Wire Form 19 75 Mech
36	155099	Bushing Strg
37	152927	ScrewTT #10-32 X 5 X 3/8 Flange
38	140045X428	Cap Strg Wh AYP P/L
39	19133812	Washer 13/32 X 2-3/8 X 12 Ga
40	7810H	Nut Lock Center 3/8-24unf
41	100711L	Adaptor Wheel Strg 758/753 ID
42	145054X428	Boot Steering
43	121749X	Washer 25/32 X 1 1/4 X 16 Ga
44	153720	Shaft Extention Steering
46	121232X	Cap Spindle Fr Top Blk
47	6855M	Fitting Grease
51	73800500	Nut Lock Hex w/Ins 5/16-18
54	74780520	Bolt Fin Hex 5/16-18 Unc x 1-1/4
63	74780616	Bolt Fin Hex 3/8-16 x 1 Gr. 5
65	160367	Spacer Axle
67	72140618	Bolt Rdhd 3/8-16 x 2-1/4
68	169827	Brace Axle
71	<b>175146</b>	Steering Asm.
82	169835	Bracket, Susp. Chassis, Front
85	133835	Fastener, Christmas Tree
88	<b>175118</b>	Bolt Shoulder 7/16-20 Unc
91	<b>175553</b>	Clip Steering

**NOTE:** All component dimensions given in U.S. inches.  
1 inch = 25.4 mm.

# REPAIR PARTS

TRACTOR - - MODEL NUMBER WZ14542D

ENGINE



**OPTIONAL EQUIPMENT**  
**Spark Arrester**

# REPAIR PARTS

## TRACTOR - - MODEL NUMBER WZ14542D

### ENGINE

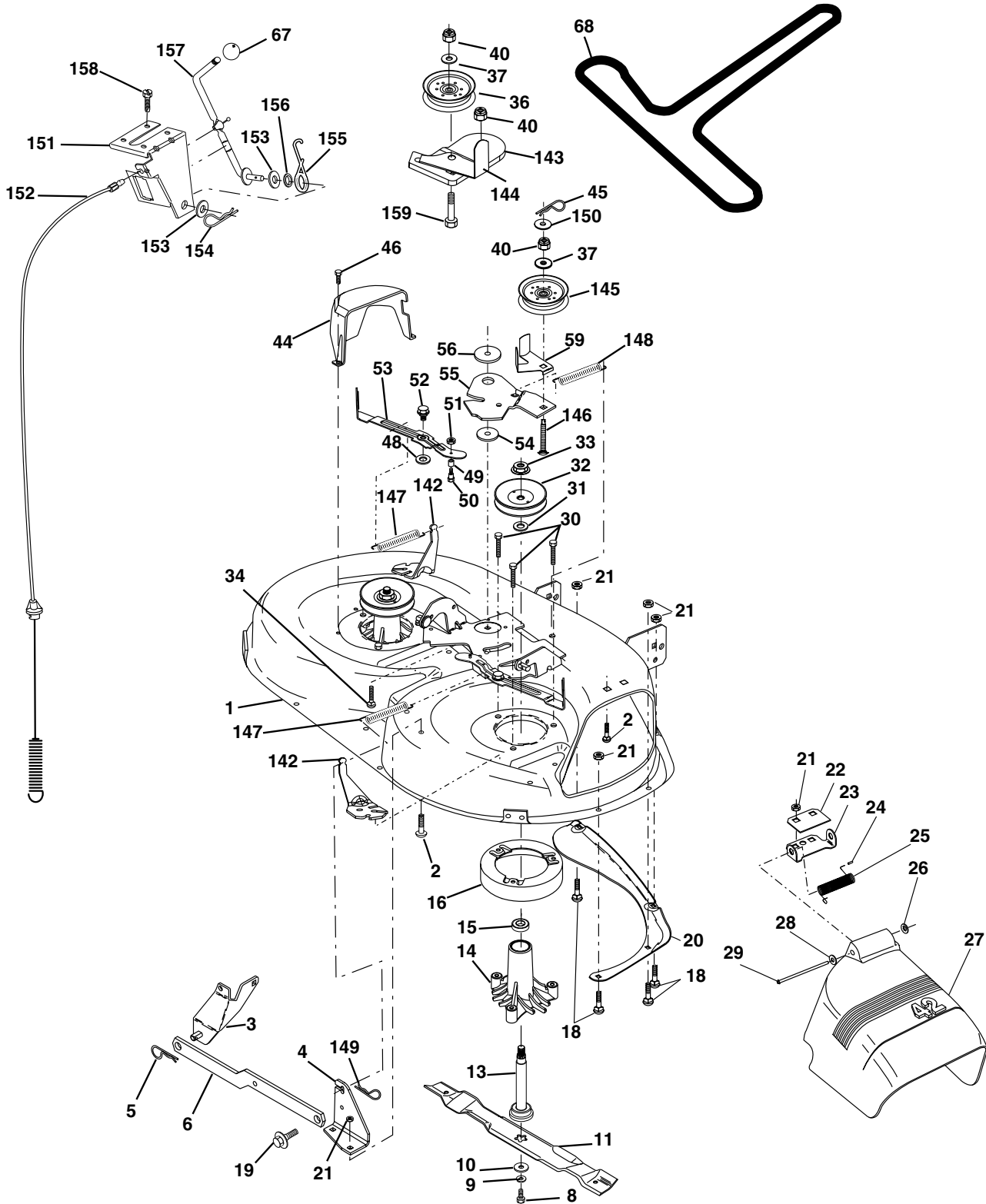
KEY NO.	PART NO.	DESCRIPTION
1	170805	Control Th/ch
2	17720410	Screw Hex Thd Cut 1/4-20x5/8 T
3	-----	Engine, Briggs Model 287707 (Order Parts From Engine Manufacturer)
4	137352	Muffler LT B&S 14HP IC OHV
13	165291	Gasket Eng
14	148456	Tube Drain Oil Easy
15	13200300	Elbow Std 90 Degree 3/8-18 Npt
16	11050600	Washer Lock Ext Tooth 3/8
23	169837	Shield Brn/Dbr Guard
29	137180	Kit Spark Arrestor (Flat Scrn)
31	174642	Tank Fuel Front
32	140527	Cap Asm Fuel W/sym Vented
33	123487X	Clamp Hose Black
37	137040	Line Fuel 20"
38	148315	Plug Oil Drain Easy
40	124028X	Bushing Snap Nyl Blk Fuel Line
44	17670412	Screw Hexwsh Thdrol 1/4-20x3/4
45	17000612	Screw Hxwsh 3/8-16 x 3/4 BD
46	19091416	Washer 9/32 X 7/8 X 16 Ga
62	10040500	Washer Lock Hvy Hlcl Spr 5/16
66	127951	Stop Throttle 3000 RPM
72	71070512	Screw Hexhd Cap 5/16-18x 3/4
78	17060620	Screw Thdrol 3/8-16x1-1/4 TYTT
81	73510400	Nut Flange 1/4-20 Starter Nut

**NOTE:** All component dimensions given in U.S. inches.  
1 inch = 25.4 mm.

# REPAIR PARTS

## TRACTOR - - MODEL NUMBER WZ14542D

### MOWER DECK



# REPAIR PARTS

## TRACTOR - - MODEL NUMBER WZ14542D

### MOWER DECK

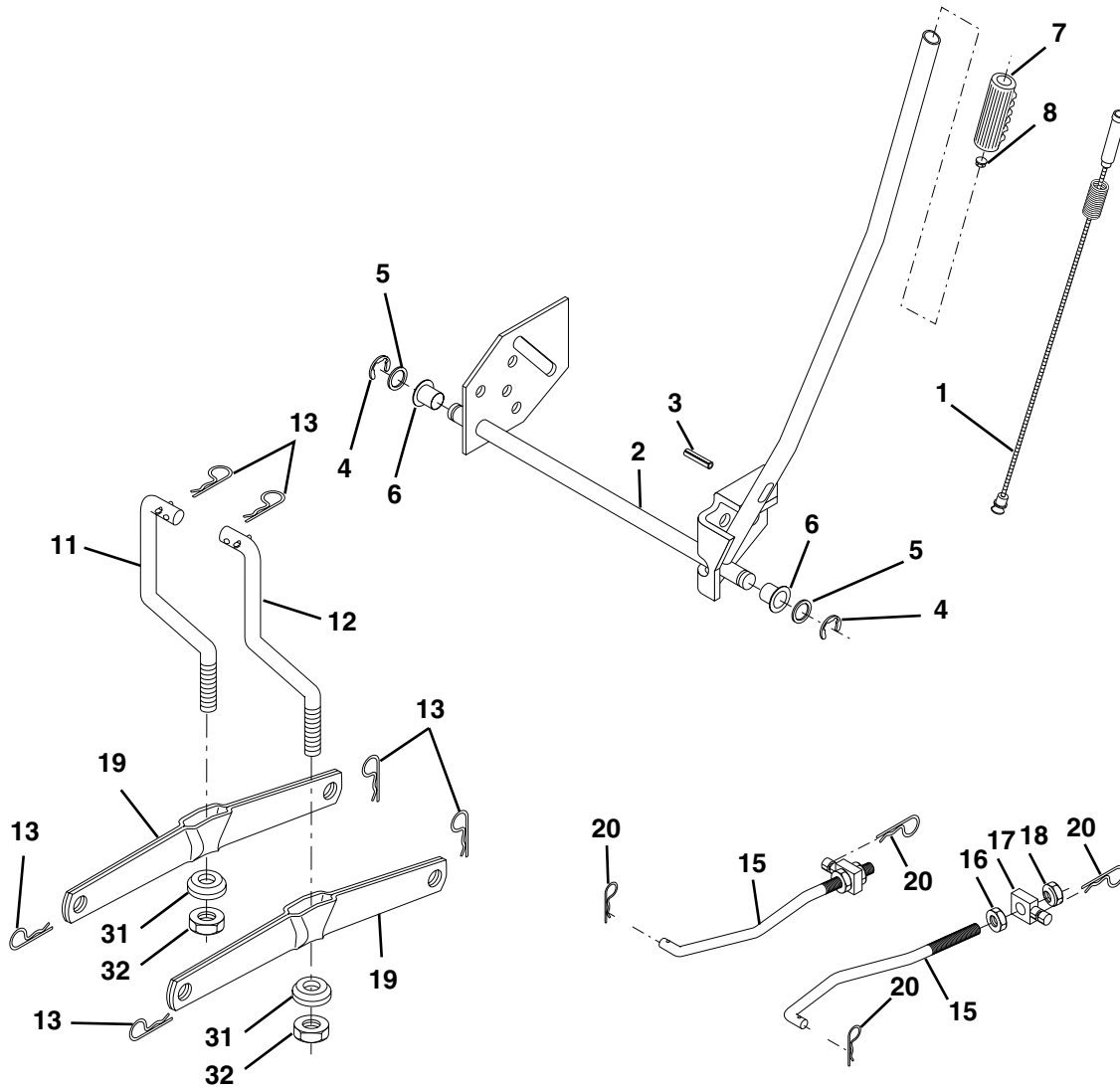
KEY NO.	PART NO.	DESCRIPTION	KEY NO.	PART NO.	DESCRIPTION
1	165892	Mower Deck Assembly, 42"	46	137729	Screw, Thd. Roll 1/4-20 x 5/8
2	72140506	Bolt	48	133944	Washer, Hardened
3	138017	Bracket Assembly, Sway Bar, Front	49	155066	Roller Assembly, Cam Follower
4	165460	Bracket Sway Bar 38/42" Deck	50	131340	Bolt, Shoulder #10-24 Grade 5
5	4939M	Retainer Spring	51	69180	Locknut
6	130832	Arm, Suspension, Rear	52	139888	Bolt, Shoulder 5/16-18 UNC
8	850857	Bolt, Hex 3/8-24 x 1.25 Gr. 8	53	131845	Arm Assembly, Pad, Brake
9	10030600	Washer, Lock	54	133943	Washer, Hardened
10	140296	Washer, Hardened	55	155046	Arm, Idler
11	138498	Blade, High Perf.	56	165723	Spacer, Retainer
12	129895	Bearing, Ball	59	141043	Guard, TUV Idler
13	137645	Shaft Assembly, Mandrel, Vented (Includes Key Number 12)	67	106932X	Knob Round
14	128774	Housing, Mandrel, Vented	68	144959	V-Belt
15	110485X	Bearing, Ball, Mandrel	128	153390	Washer Felt
16	<b>174493</b>	Stripper, Mower Deck	142	165890	Arm Spring Brake Mower
18	72140505	Bolt, Carriage 5/16-18 x 5/8	143	157109	Bracket Arm Idler 42"
19	132827	Bolt, Shoulder	144	158634	Keeper Belt 42" Clutch Cable
20	159770	Baffle, Vortex	145	165888	Pulley Idler Flat
21	73680500	Nut Crownlock 5/16-18 UNC	146	171977	Bolt Carriage Idler
22	134753	Stiffener Bracket	147	131335	Spring Extension
23	131267	Bracket, Deflector	148	169022	Spring Return Idler
24	105304X	Cap, Sleeve	149	165898	Retainer Spring Yellow Zinc
25	123713X	Spring, Torsion, Deflector	150	19091216	Washer 9/32 x 3/4 x 16 Ga.
26	110452X	Nut, Push	151	169670	Bracket Clutch
27	130968X428	Shield, Deflector	152	169676	Cable Clutch 42 In
28	19111016	Washer 11/32 x 5/8 x 16 Ga.	153	169674	Washer Flat 3/8" Type B
29	131491	Rod, Hinge	154	169675	Spring Retainer
30	157722	Screw Thdrol Washer Head	155	169671	Spring Retention Lever
31	129963	Washer, Spacer	156	169672	Spacer
32	153535	Pulley, Mandrel	157	169669	Rod Clutch
33	<b>178342</b>	Nut, Toplock, Flanged	158	17720410	Screw Hex Thd Cut 1/4-20 x 5/8
34	72110614	Bolt	159	72140614	Bolt 3/8-16 x 1-3/4
35	133835	Fastner, Christmas Tree	--	130794	Mandrel Assembly (Includes Key Numbers 8-10, 12-15, 31 and 32)
36	131494	Pulley, Idler, Flat	--	171639	Replacement Mower, Complete
37	19131316	Washer 13/32 x 13/16 x 16 Gauge			
40	73680600	Nut Crownlock 3/8-16 UNC			
44	140088	Guard, Mandrel, L.H.			
45	4497H	Retainer			

**NOTE:** All component dimensions given in U.S. inches  
1 inch = 25.4 mm

# REPAIR PARTS

## TRACTOR - - MODEL NUMBER WZ14542D

### LIFT



KEY NO.	PART NO.	DESCRIPTION
1	159460	Wire Asm Inner/Sprg w/plunger
2	159471	Shaft Asm Lift
3	105767X	Pin Groove
4	12000002	E Ring #5133-62
5	19211621	Washer 21/32 X 1 x 21 Ga
6	120183X	Bearing Nylon
7	109413X	Grip Handle Bicycle Matte Blk
8	124526X	Button Plunger
11	139865	Link Lift LH
12	139866	Link Lift RH

KEY NO.	PART NO.	DESCRIPTION
13	4939M	Retainer Spring
15	173288	Link Front
16	73350800	Nut Jam Hex 1/2-13 Unc
17	<b>175689</b>	Trunnion
18	73800800	Nut Lock W/wsh 1/2-13 Unc
19	139868	Arm Suspension Rear
20	163552	Retainer Spring
31	169865	Bearing Pvt. Lift Tapered
32	73540600	Nut Crownlock 3/8-24

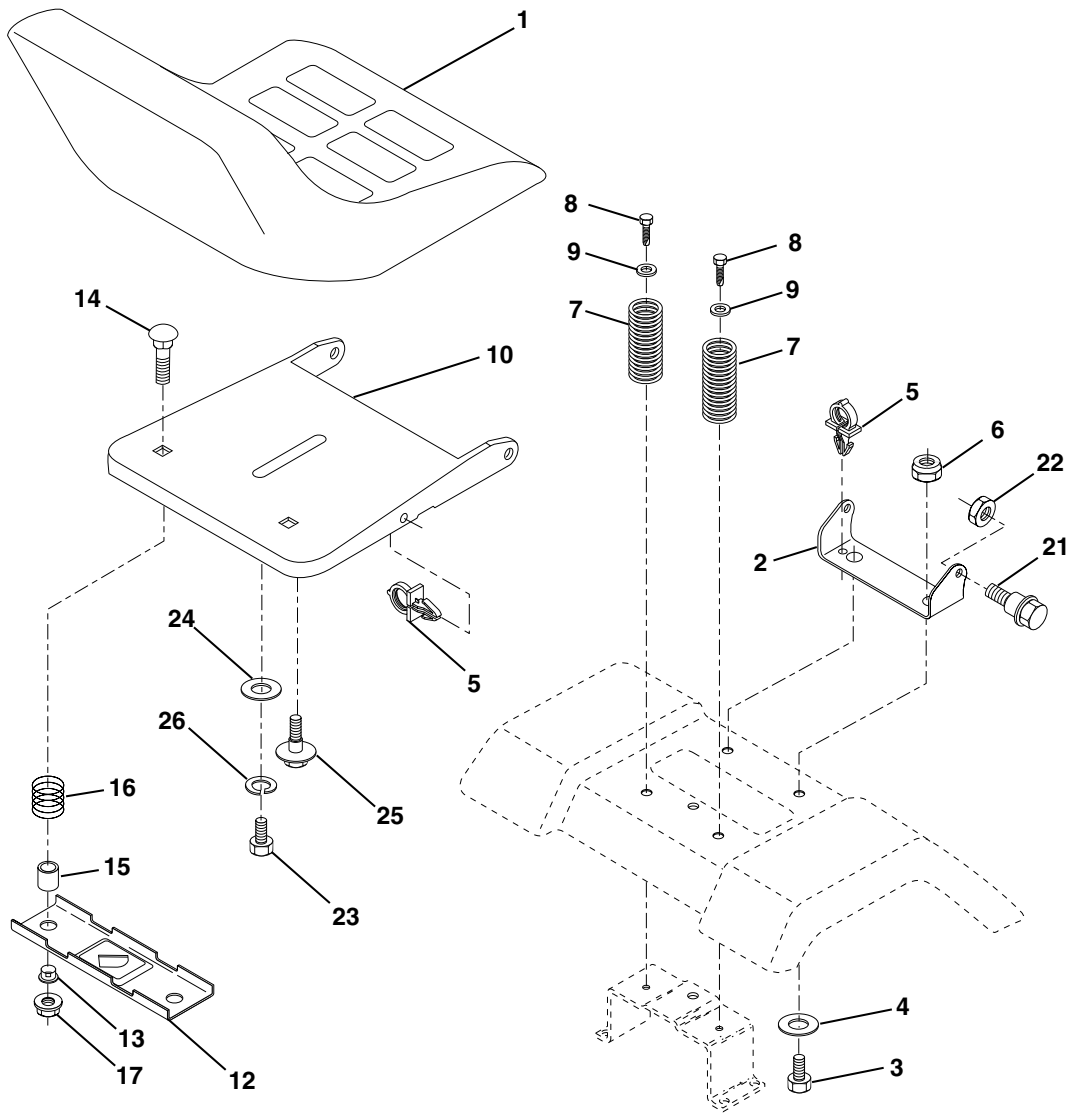
**NOTE:** All component dimensions given in U.S. inches  
1 inch = 25.4 mm



# REPAIR PARTS

## TRACTOR - - MODEL NUMBER WZ14542D

### SEAT ASSEMBLY



KEY NO.	PART NO.	DESCRIPTION
1	127428	Seat
2	140551	Bracket Pivot Seat
3	71110616	Bolt Hex 3/8 - 16 x 1 Blk
4	19131610	Washer 13/32 x 1"
5	145006	Clip Push-In
6	73800600	Locknut, Hex W/Ins 3/8 - 16 Unc
7	124181X	Spring Seat Cprsn 2 250 Blk Zi
8	17000616	Screw Thdrol 3/8-16 x .5
9	19131614	Washer 13/32 x 1 x 14 Ga
10	174894	Pan Seat
12	121246X	Bracket Mounting Switch
13	121248X	Bushing Snap Blk Nyl 50 Id

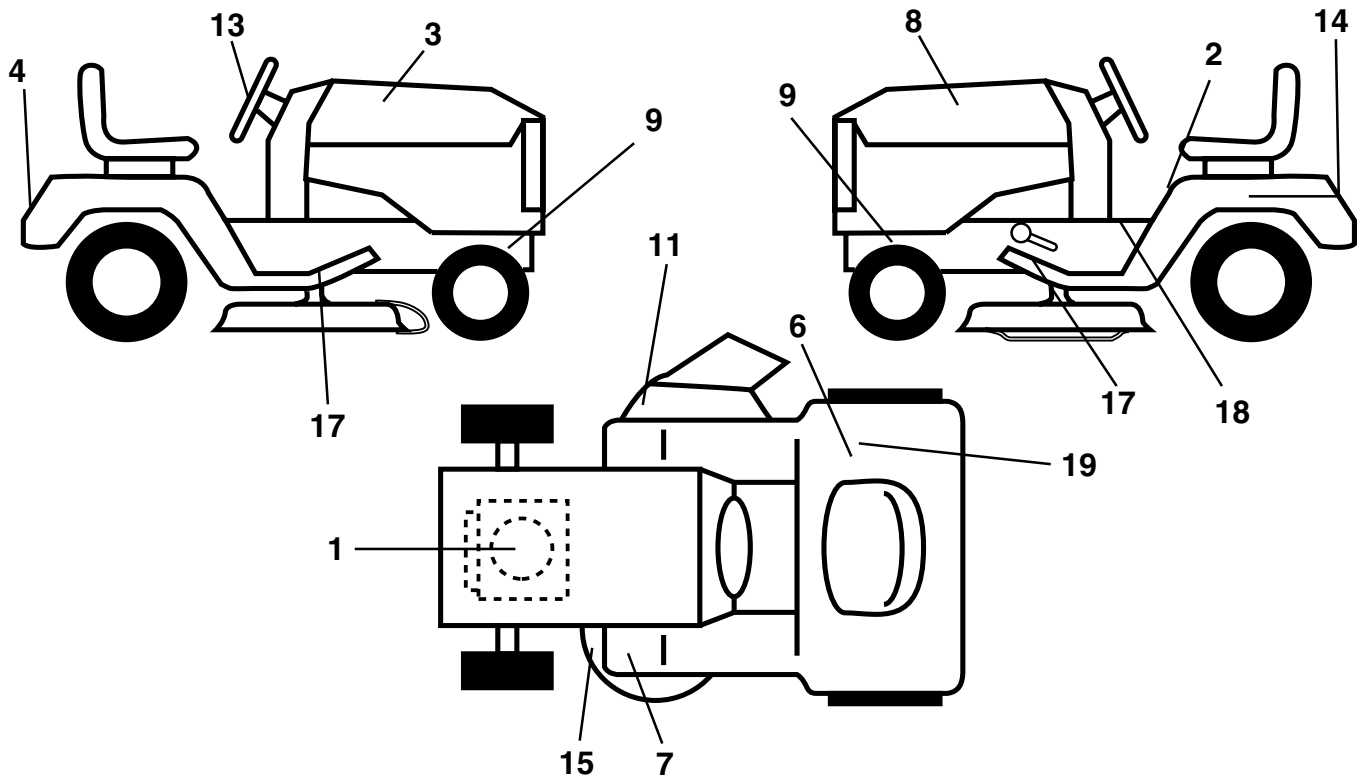
KEY NO.	PART NO.	DESCRIPTION
14	72050412	Bolt Rdhd Sht Nk 1/4-20 x 1-1/2
15	134300	Spacer Split
16	121250X	Spring Cprsn
17	123976X	Nut Lock 1/4 Lge Flg Gr 5 Zinc
21	171852	Bolt Shoulder 5/16-18 UNC-2A BD
22	73800500	Locknut, Crown 5/16-18 UNC
23	71110814	Bolt Fin Hex 1/2-13 x 7/8 Gr 5
24	19171912	Washer 17/32 x 1-3/16 x 12 Ga
25	127018X	Bolt Shoulder 5/16-18 x 62
26	10040800	Washer Lock Hvy Hlcl Spr 1/2

**NOTE:** All component dimensions given in U.S. inches  
1 inch = 25.4 mm

# REPAIR PARTS

## TRACTOR - - MODEL NUMBER WZ14542D

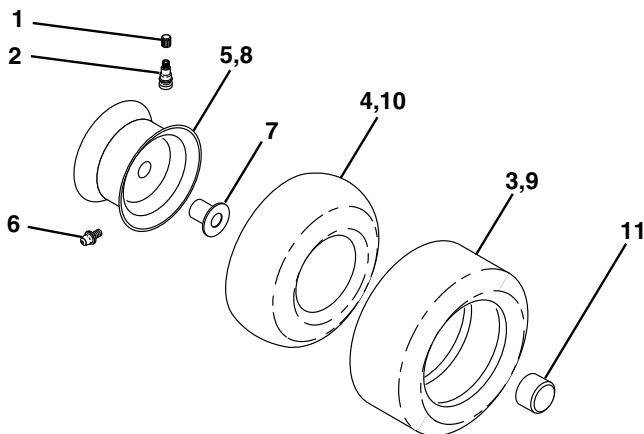
### DECALS



KEY NO.	PART NO.	DESCRIPTION
1	176396	Decal Engine
2	145498	Decal Read Owners Manual Syms
3	163793	Decal Hood RH
4	172175	Decal Hood/Fender
6	145437	Decal Europe Stand CE
7	159737	Decal Brake/Clutch Symbol LT
8	163794	Decal Hood LH
9	159736	Decal Chassis Hot Muffler
11	145494	Decal Mower Cutfinger Symbol
13	167108	Decal Wheel Steering

KEY NO.	PART NO.	DESCRIPTION
14	145005	Decal Battery Dan/Poi/P/L Symbols
15	160396	Decal V-Belt Sch
17	133671	Pad Footrest
18	140837	Decal Saddle Brake Parking
19	126187X	Decal 100 DBA
--	138311	Decal Handle LFT Height Adj
--	162598	Decal Drawbar Load Limit
--	176170	Manual Operator's (Euro.)
--	<b>179003</b>	Manual Operator's (Scand.)
--	<b>178959</b>	Manual Parts

### WHEELS & TIRES



KEY NO.	PART NO.	DESCRIPTION
1	59192	Cap Valve Tire
2	65139	Stem Valve
3	106222X	Tire F Ts 15 X 6 0 - 6 Service
4	59904	Tube Front (Service Item Only)
5	106732X427	Rim Asm 6" (front White Service)
6	278H	Fitting Grease (Front Wheel Only)
7	9040H	Bearing Flange (Front Wheel Only)
8	106108X427	Rim Asm 8" (rear White Service)
9	106268X	Tire R Ts 18 x 9.5-8 C Service
10	7152J	Tube Rear (Service Item Only)
11	104757X428	Cap Axle Blk 1 50 X 1 00
--	144334	Sealant, Tire (10 oz. Tube)

**NOTE:** All component dimensions given in U.S. inches  
1 inch = 25.4 mm.



TECUMSEH

# SERVICE POLICY WARRANTY



TECUMSEH

Issued January 1980  
Revised January 1991

## LIMITED WARRANTIES FOR NEW PEERLESS GEAR POWER TRAIN COMPONENTS

### A. Products Warranted

Peerless Gear and Machine Division of Tecumseh Products Company ("Tecumseh"), subject to the limitations contained below, will, at its option, repair or replace, without charge for parts or labor only, any part of a new Power Train Component (which as used herein means and includes the transaxle, gear box, transmission, differential and right angle drives, and any part of the Power Train Component), EXCEPT any new Power Train Component incorporated in equipment used for commercial or rental purposes, which is found upon examination by any Tecumseh Authorized Service Outlet or by Tecumseh's factory in Grafton, Wisconsin, to be DEFECTIVE IN MATERIAL AND/OR WORKMANSHIP if received by Tecumseh or a Tecumseh Authorized Service Outlet for such examination within TWO YEARS from the date of sale to the original consumer purchaser of Peerless Series 820, 900, 910, 915, 920, 930 transaxles and Series 1100 angle drive and ONE YEAR for all other Peerless products. New Power Train Components incorporated in equipment used for commercial purposes are warranted in the same manner and to the same extent EXCEPT such Power Train Components are warranted for NINETY (90) DAYS ONLY, and must be received by Tecumseh or by a Tecumseh Authorized Service Outlet for such examination within 90 days from the date of sale to the original purchaser. New Power Train Components incorporated in equipment used for rental purposes are warranted in the same manner and to the same extent EXCEPT such Power Train Components are warranted for THIRTY (30) DAYS ONLY, and must be received by Tecumseh or a Tecumseh Authorized Service Outlet within 30 days from the date of sale to the original purchaser.

### B. Products And Items Not Warranted

1. Alterations or Modifications of Power Train Components.
2. Accidents, Normal Maintenance, Failure to follow the Original Equipment Manufacturer's Manual.

This warranty covers only parts of new Power Train Components which are found upon examination to be defective in material or workmanship as delivered to the original purchaser. This warranty does not cover defects caused by depreciation or damage caused by normal wear, accidents, improper maintenance, improper use or abuse of the product, failure to follow the instructions contained in an Instruction Manual for the operation of the Power Train Component and parts. The cost of normal maintenance and replacement of service items which are not defective shall be paid for by the original purchaser.

### C. Securing Warranty Service

Warranty service can be arranged for by contacting either a Tecumseh Authorized Service Outlet (any Tecumseh Registered Service Dealer, Tecumseh Authorized Service Distributor, or Tecumseh Central Warehouse Distributor) or by contacting Tecumseh, c/o Service Manager, Engine and Transmission Group Service Division, 900 North Street, Grafton, Wisconsin 53024. Warranty service can only be performed by a Tecumseh Authorized Service Outlet or by Tecumseh at its factory in Grafton, Wisconsin. At the time of requesting warranty service, evidence must be presented of the date of sale to the original purchaser. The purchaser shall pay any charges for making service calls and/or for transporting the product to and from the place where the inspection and/or warranty work is performed. The purchaser shall be responsible for any damage or loss incurred in connection with the transportation of Power Train Components and/or part(s) of the Power Train Components submitted for inspection and/or warranty work.

### D. Limitation of Damages and Implied Warranties

The foregoing EXPRESSED WARRANTY IS IN LIEU OF ALL OTHER EXPRESS WARRANTIES. Neither Tecumseh nor any of its affiliates makes any warranties, representations or promises, written or oral, as to the quality of the Power Train Component or any of its parts, other than as set forth herein.

ANY IMPLIED WARRANTY OF MERCHANTABILITY OR FITNESS FOR A PARTICULAR PURPOSE, TO THE EXTENT THAT EITHER MAY APPLY TO ANY PART(S) OF POWER TRAIN COMPONENTS, SHALL BE LIMITED IN DURATION TO THE PERIODS OF THE EXPRESSED WARRANTIES DEFINED IN PARAGRAPH A HEREOF. IN NO EVENT WILL TECUMSEH BE LIABLE FOR ANY INCIDENTAL, CONSEQUENTIAL OR SPECIAL DAMAGES AND/OR EXPENSES. Some states do not allow limitations on how long an implied warranty lasts or the exclusion or limitation of incidental or consequential damages, so the above limitation(s) or exclusion(s) may not apply to you. This warranty gives you specific legal rights and you may also have other legal rights which vary from state to state.

### E. No Dealer Warranty

Tecumseh neither assumes nor authorizes any other person, natural or corporate, to assume for Tecumseh any other obligations or liabilities in connection with or with respect to any part(s) of a Power Train Component. The seller or dealer of part(s) of a Power Train Component has no authority, whatsoever, to make any representations or promises on behalf of Tecumseh or to modify the terms or limitations of Tecumseh's warranty in any way.

## LIMITED WARRANTY

The Manufacturer warrants to the original consumer purchaser that this product as manufactured is free from defects in materials and workmanship. For a period of one (1) year from date of purchase by the original consumer purchaser, we will repair or replace, at our option, without charge for parts or labor incurred in replacing parts, any part which we find to be defective due to materials or workmanship. This Warranty is subject to the following limitations and exclusions.

1. This warranty does not apply to the engine. Please contact your nearest dealer where they will send the machine to the engine manufacturer.
2. Transportation charges for the movement of any power equipment unit or attachment are the responsibility of the purchaser. Transportation charges for any parts submitted for replacement under this warranty must be paid by the purchaser unless such return is requested by your dealer.
3. Battery Warranty: On products equipped with a Battery, we will replace, without charge to you, any battery which we find to be defective in manufacture, during the first ninety (90) days of ownership. After ninety (90) days, we will exchange the Battery, charging you 1/12 of the price of a new Battery for each full month from the date of the original sale. Battery must be maintained in accordance with the instructions furnished.
4. The Warranty period for any products used for rental or commercial purposes is limited to 90 days from the date of original purchase.
5. This Warranty applies only to products which have been properly assembled, adjusted, operated, and maintained in accordance with the instructions furnished. This Warranty does not apply to any product which has been subjected to alteration, misuse, abuse, improper assembly or installation, delivery damage, or to normal wear of the product.
6. Exclusions: Excluded from this Warranty are belts, blades, blade adapters, normal wear, normal adjustments, standard hardware and normal maintenance.
7. In case of any problem within the boundaries of this warranty, contact the nearest department store, indicate the model number, serial number and the date of purchase of your machine. This warranty does not apply to accidental damages. All implicit warranties are limited to the same time frames. Or contact:

E.M. Services  
54 Rue Lambrechts  
92400 Courbevoie  
France  
Telephone: (1) 46678078  
Fax: (1) 46678095

THIS WARRANTY DOES NOT APPLY TO INCIDENTAL OR CONSEQUENTIAL DAMAGES. ANY IMPLIED WARRANTIES ARE LIMITED TO THE SAME TIME PERIODS STATED HEREIN.

# WIZARD