

# **ILLUSTRATED PARTS BREAKDOWN**

**PARTNER**

**14.5 HP, 42" MOWER DECK**

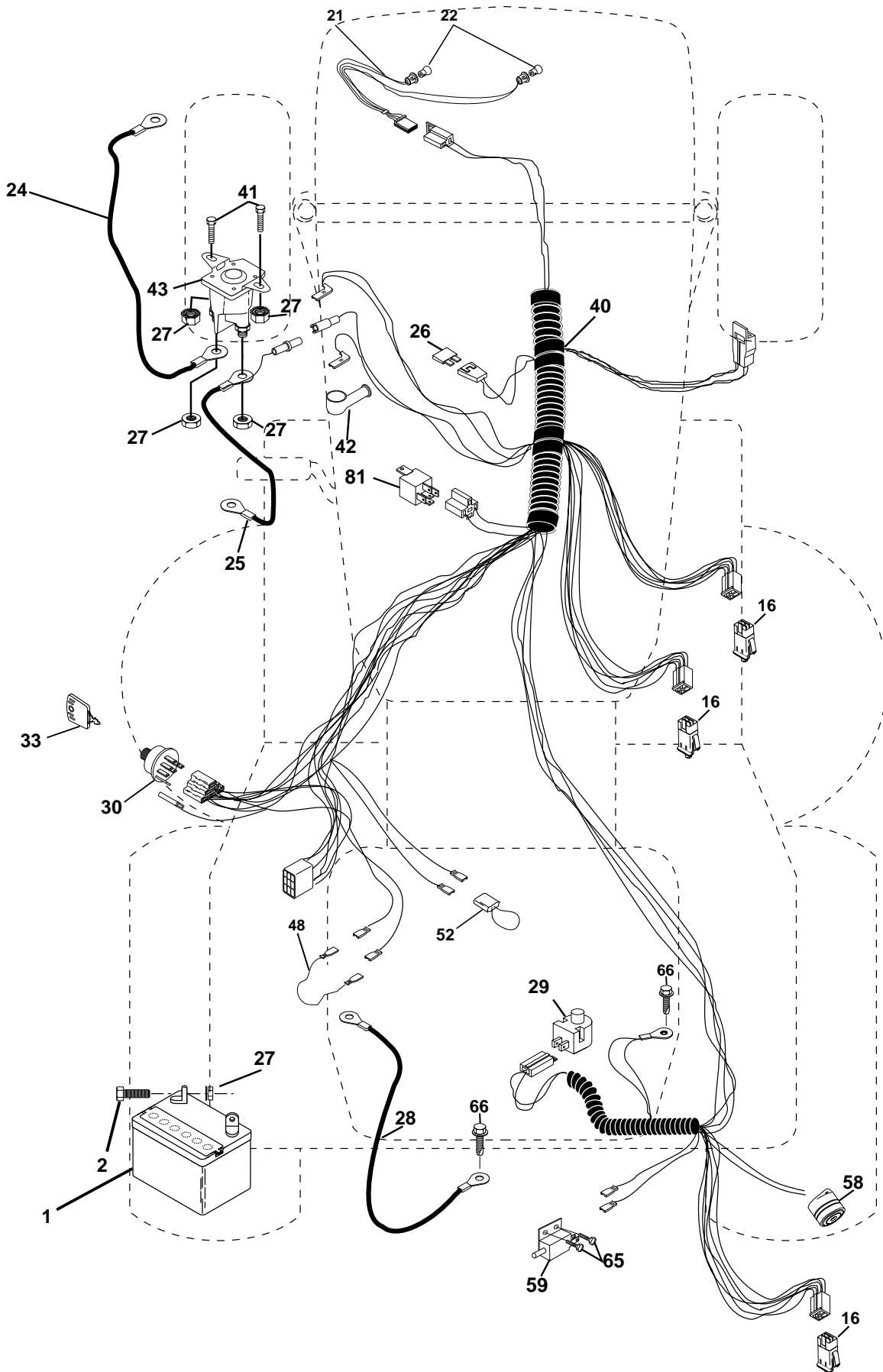
**LAWN TRACTOR**

**MODEL NUMBER 145HCRD (P145HCRDC)**

**954 12 00-34**

# REPAIR PARTS

TRACTOR- -MODEL NO. 145HCRD (P145HCRDC), PRODUCT NO. 954 12 00-34  
ELECTRICAL



# REPAIR PARTS

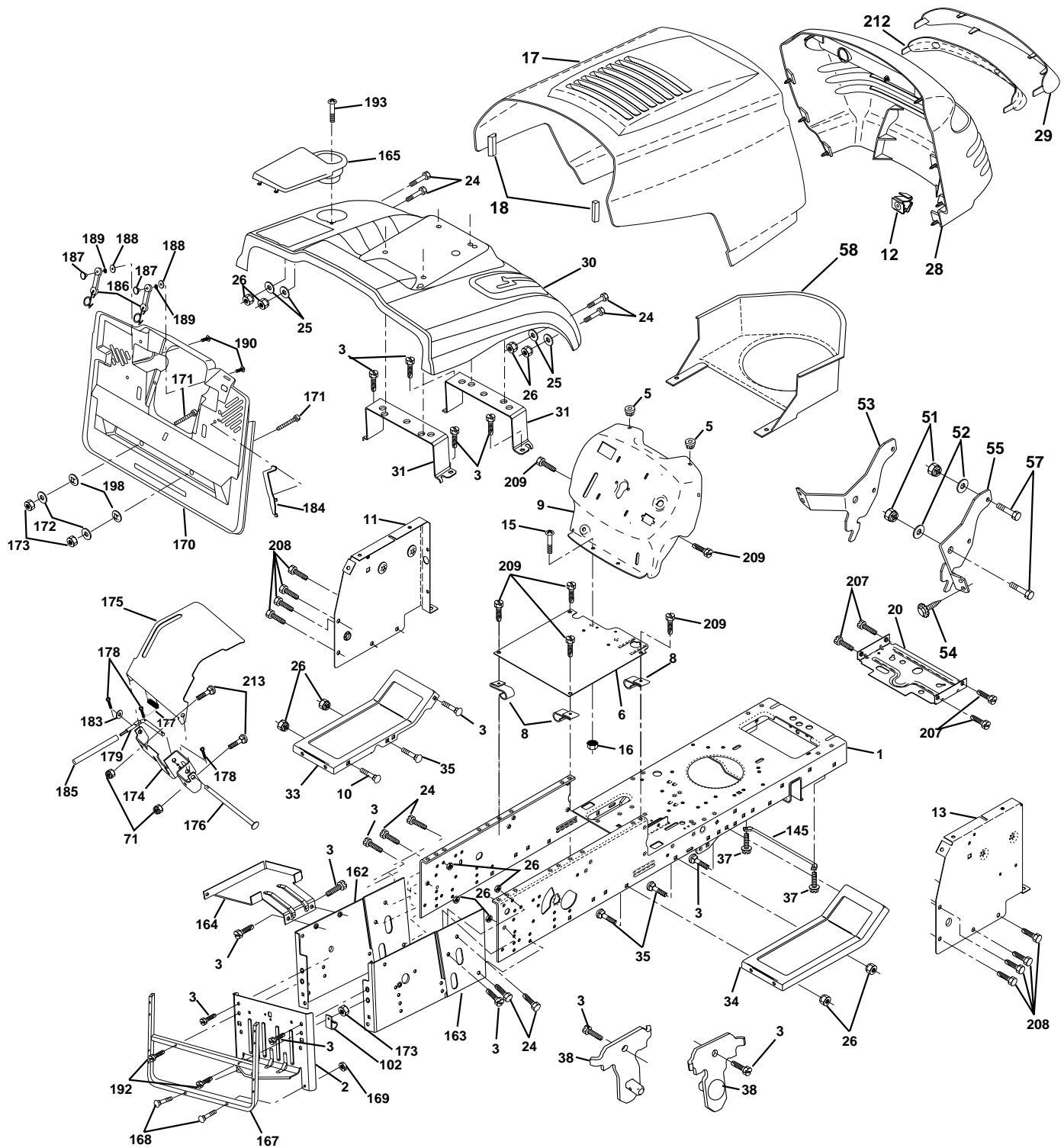
TRACTOR- -MODEL NO. 145HCRD (P145HCRDC), PRODUCT NO. 954 12 00-34  
ELECTRICAL

KEY NO.	PART NO.	DESCRIPTION
1	532144925	Battery
2	874760412	Bolt Hex Hd 1/4-20 Unc X 3/4
16	532153664	Switch Interlock Push-In
21	532166181	Harness Asm Light W/4152J
22	532004152	Bulb Light #1156
24	532124780	Cable Starter 6Ga 11" Red
25	532165987	Cable Battery Crd 56" Red
26	<b>532175158</b>	Fuse
27	873510400	Nut Keps Hex 1/4-20 Unc
28	532127725	Cable Ground 6Ga 18" Black
29	532160784	Switch Plunger Normal Op Olive
30	<b>532175566</b>	Switch Ignition
33	532140401	Key Ign
40	532170164	Harness
41	871110408	Bolt Flk Fin Hex 1/4-20 Unc X 1/2
42	532131563	Cover Terminal Red
43	<b>532175141</b>	Solenoid
48	532140844	Adapter Ammeter Rectangular
52	532141940	Protection Wire Loop
58	532169419	Buzzer Crd
59	532166299	Switch FBI CRD
65	817211008	Screw Slftp #10-16 x 1/2 Ty-Ab
66	817490608	Screw Thdrol 3/8-16 x 1/2 Ty-Tt
81	532109748	Relay Asm

**NOTE:** All component dimensions given in U.S. inches.  
1 inch = 25.4 mm.

# REPAIR PARTS

TRACTOR- -MODEL NO. 145HCRD (P145HCRDC), PRODUCT NO. 954 12 00-34  
CHASSIS AND ENCLOSURES



# REPAIR PARTS

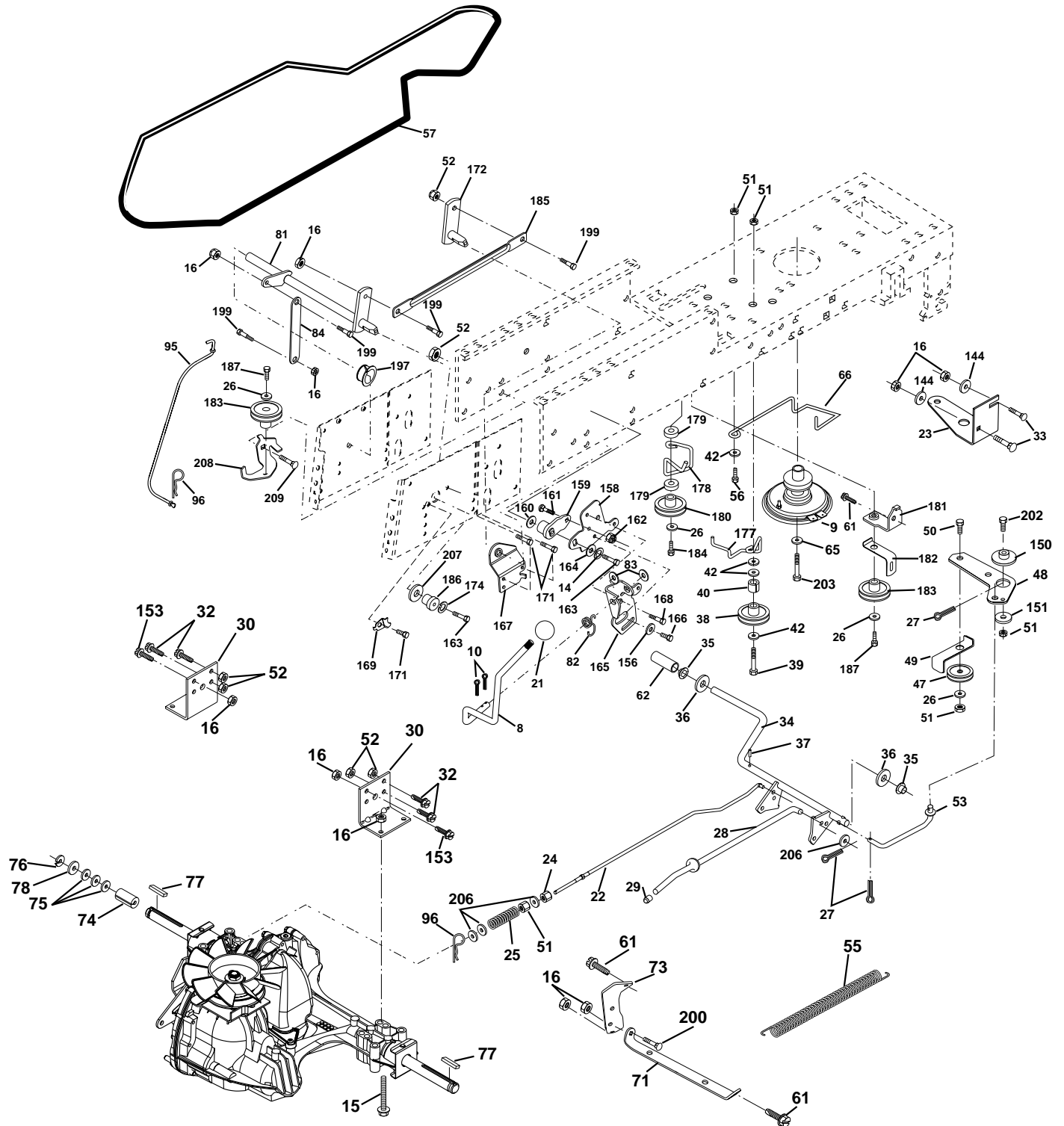
## TRACTOR- -MODEL NO. 145HCRD (P145HCRDC), PRODUCT NO. 954 12 00-34 CHASSIS AND ENCLOSURES

KEY NO.	PART NO.	DESCRIPTION	KEY NO.	PART NO.	DESCRIPTION
1	532169831	Chassis	145	532156524	Rod Pivot Chassis/Hood
2	532165606	Drawbar	162	<b>532170256</b>	Bracket Exten Chassis Lh CRD
3	817060612	Screw 3/8-16 x .75	163	<b>532175770</b>	Bracket Exten Chassis Rh CRD
5	532155272	Bumper Hood/Dash	164	532165605	Support Battery CRD
6	532155923	Saddle	165	532168407	Cover Battery CRD Lt
8	532126471	Clip Insulator 13/32 Mtg. Hole	167	532165779	Support Asm. Backplate WLDMNT
9	532172243	Dash	168	872050412	Bolt, RDHD SHT NK 1/4-20 x 1-1/2
10	872140608	Bolt, Carriage 3/8-16 x 3/4	169	532123976	Nut, Lock 1/4 LGE FLG Gr. 5 Zinc
11	532155927	Panel, Dash, L.H.	170	<b>532175264</b>	Backplate Asm.
12	532145660	Clip Tinnerman Grille P/L	171	<b>872140620</b>	Bolt Rdhd Sqnk 3/8-16 x 2-1/2 Gr 5
13	532173025	Panel, Asm. Dash R.H.	172	819132016	Washer 13/32 x 1-1/4 x 16 Ga.
15	874180512	Screw, Machine, Truss Head 5/16-18 UNC x 3/4	173	873510600	Nut, Keps Hex 3/8-16 UNC
16	873510500	Nut	174	532165939	Bracket Switch FBI CRD
17	532160382	Hood Assembly	175	532166212	Guard Door Rear CRD
18	532126938	Bumper Hood	176	532128600	Pin Hinge Pivot
20	532156437	Plate Mtg. Battery/Fuel Tank	177	532132796	Spring Bagger Top LH Black
24	874780616	Bolt	178	876020312	Pin Cotter 3/32 x 3/4 Cad Zinc
25	819131312	Washer 13/32 x 13/16 x 12 Gauge	179	532165942	Rod Pivot FBI CRD
26	873800600	Nut	183	819131316	Washer 13/32 x 13/16 x 16 Ga.
28	532157375	Grille PL	184	<b>532174662</b>	Bracket Actuator Bagger CRD
29	532168154	Lens, Grille	185	532165940	Tube Lever Switch FBI CRD
30	<b>532176017</b>	Fender	186	532160793	Latch Asm Multch Bagger
31	532165156	Bracket, Fender Support	187	532125004	Nut Weld .327/.304 #10-24
33	532147203	Footrest, L.H.	188	819061216	Washer #10
34	532147202	Footrest, R.H.	189	810071000	Washer Lock #10
35	872110606	Bolt	190	<b>871081010</b>	Screw Pan Hd Phil 10-24 x 5/8
37	817490508	Screw Thdrol 5/16-18 x 1/2 TYT	192	<b>817060624</b>	Screw 3/8-16 x 1-1/2 SMGML Tap/R
38	532169834	Bracket Asm Pivot Mower Rear	193	817070412	Screw Truss 1/4-20 x 3/4
51	873800400	Nut Lock w/Insert 1/4-20 UNC	198	532168937	Nut Push
52	819091416	Washer 9/32 x 7/8 x 16 Ga.	207	817670508	Screw Thdrol 5/16-18 x 1/2
53	532144697	Bracket Grille Lh	208	817670608	Screw Thdrol 3/8-16 x 1/2
54	532161464	Screw Hex Wshd 8-18 x 7/8	209	817000612	Screw Hexwsh Thdr 3/8-16 x 3/4
55	532144696	Bracket Grille Rh	212	532156229	Insert Lens Reflector
57	874780412	Bolt, Fin Hex 1/4-20 UNC x .75	213	<b>872110406</b>	Bolt Carr.
58	532150127	Duct Air Engine Pl/Lt	--	532005479	Plug, Button
71	<b>873680400</b>	Nut Crownlock 1/4-20 Unc			
102	532124996	Clip Fuel Line 13/32 Mtg Hole			

**NOTE:** All component dimensions given in U.S. inches.  
1 inch = 25.4 mm.

# REPAIR PARTS

TRACTOR- -MODEL NO. 145HCRD (P145HCRDC), PRODUCT NO. 954 12 00-34  
DRIVE



# REPAIR PARTS

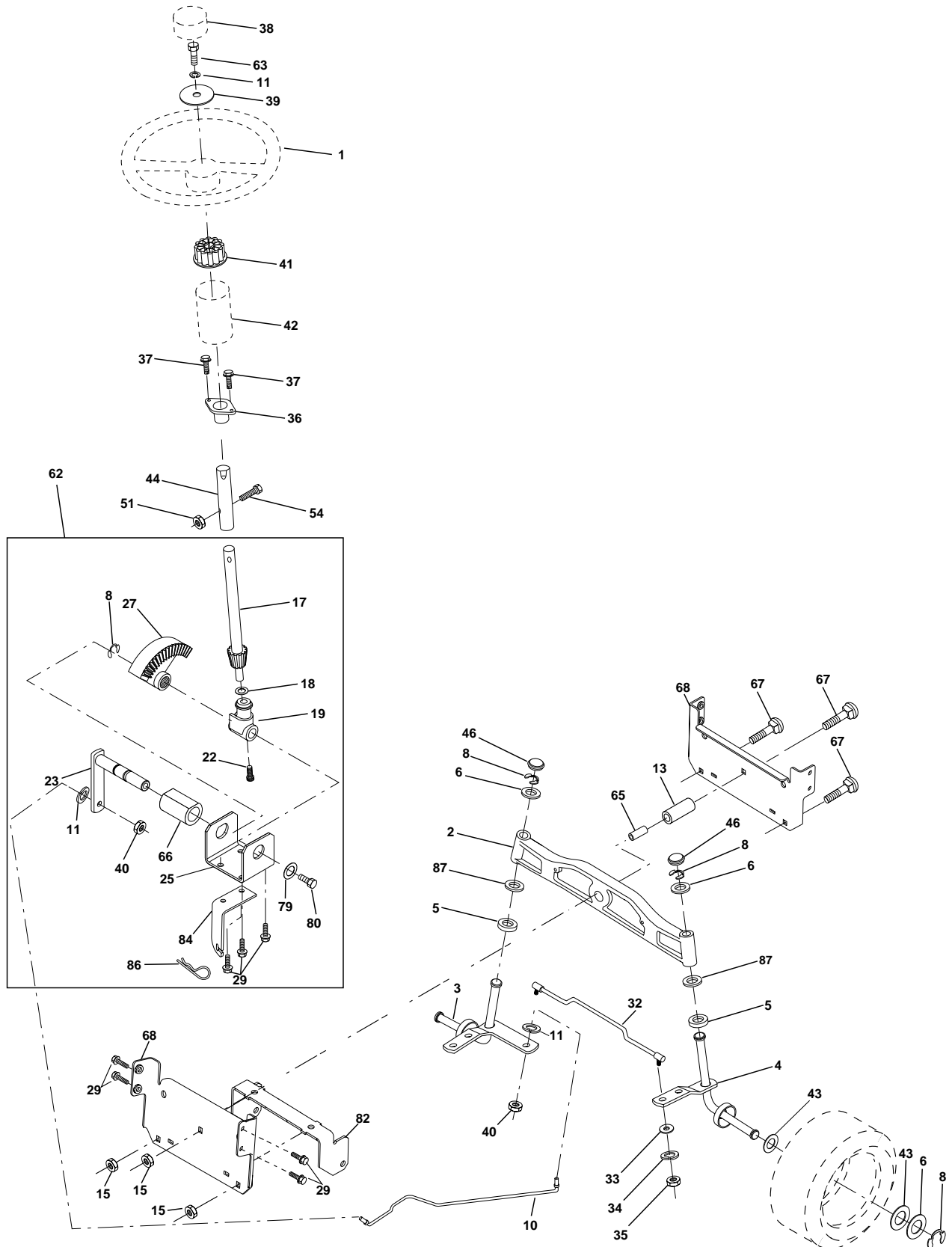
TRACTOR- -MODEL NO. 145HCRD (P145HCRDC), PRODUCT NO. 954 12 00-34  
DRIVE

KEY NO.	PART NO.	DESCRIPTION	KEY NO.	PART NO.	DESCRIPTION
1	-----	Transaxle Hydro Gear <b>321-0510</b> (Order parts from transaxle manufacturer)	78	532121748	Washer 25/32 x 1-5/8 x 16 Ga.
3	532143995	Pulley Hydro 0650 Lt/CRD	81	<b>532170006</b>	Asm, Shaft
8	532165619	Rod, Shift Fender Adjust Lt	82	532123782	Spring, Torsion
9	532170163	Clutch Asm Noram	83	819171216	Washer 17/32 x 3/4 x 16 Ga.
10	876020416	Pin, Cotter 1/8 x 1	84	<b>532170007</b>	Link, Transaxle
14	810040400	Washer, Lock Hvy Helical	95	<b>532170015</b>	Control Asm Bypass Hydro
15	<b>874490544</b>	Bolt Hex Flghd 5/16-18 Gr. 5	96	532124788	Spring, Retainer 1"
16	873800500	Nut, Lock Hex w/Ins 5/16-18 UNC	144	819111016	Washer 11/32 x 5/8 x 16 Ga
21	532106933	Knob Rd 1/2-13 Plstc Thds Blk	150	532165850	Bushing, Bellcrank Grnd Dr
22	<b>532170137</b>	Rod, Brake	151	819133210	Washer 13/32 x 2 x 10 Ga.
23	532170017	Bracket Clutch Noram	153	874760516	Bolt Hex Hd 5/16-18 Unc x 1
24	873350600	Nut	156	532166002	Washer Srrted 5/16ID x 1.125
25	532106888	Spring, Rod, Brake	158	532165589	Bracket Shift Mount
26	819131316	Washer 13/32 x 13/16 x 16 Ga.	159	532165494	Hub Tapered Flange Shift Lt
27	876020412	Pin, Cotter 1/8 x 3/4	160	819292016	Washer 29/32 x 1-1/4 x 16 Ga.
28	532145204	Rod, Parking Brake	161	872140406	Bolt Rdhd Sqnk 1/4-20 x 3/4 Gr 5
29	532071673	Cap, Parking Brake	162	873680400	Nut Crownlock 1/4-20 Unc
30	532169592	Bracket, Mfg. Transaxle	163	874780416	Bolt Hex Fin 1/4-20 Unc x 1 Gr 5
32	874760512	Bolt Hex 5/16-18 UNC x 3/4	164	819091010	Washer 5/8 x .281 x 10 Ga.
33	872140506	Bolt Rdhd Sqnk 5/16-18 Unc x 3/4	165	532165623	Bracket Pivot Lever
34	532165496	Shaft, Asm Pedal Foot CRD	166	532166880	Screw 5/16-18 x 5/8
35	532120183	Bearing, Nylon	167	532165588	Bracket Support Shift CRD
36	819211616	Washer 21/32 x 1 x 16 Ga.	168	532165492	Bolt Shoulder 5/16-18 x .561
37	532124963	Pin, Roll 3/16 x 1"	169	532165580	Plate Fastening Lt
38	532165936	Pulley Flat Composite 3.06"	171	817490608	Screw Thdrol 3/8-16 x 1/2 Ty-Tt
39	<b>874760644</b>	Bolt 3/8-16unc x 2-3/4	172	<b>532170271</b>	Shaft Asm Shifter Frt CRD
40	532124965	Spacer, Split 395 x 59 Bzp	174	810090400	Washer Lock 1/4
42	819131312	Washer 13/32 x 13/16 x 12 Ga.	177	532165932	Keeper Flat Idler 3.06" CRD
47	532127783	Pulley, Idler, V Groove Plasitc	178	532165933	Keeper Belt Idler 1.88" CRD
48	532154407	Bellcrank Clutch Grnd Drv	179	532120958	Washer Sintered
49	532123205	Retainer, Belt Style Spring	180	532165630	Pulley, Idler, Flat 1.88"CRD
50	874760624	Bolt Hex Hd 3/8-16 UNC x 1-1/2	181	532165797	Bracket Idler Ground Drive CRD
51	873680600	Nut, Crownlock 3/8-16 UNC	182	532165634	Keeper Belt 2.5" Od V-Idler CRD
52	873680500	Nut Crownlock 5/16-18	183	532165626	Pulley V-Idler 2.50" Od CRD
53	532105710	Link, Clutch 7.66	184	817490644	Screw Hexwsh Thdrol 3/8-16 x 2-3/4
55	532105709	Spring, Return, Clutch	185	<b>532170008</b>	Link Shift CRD Hydro
56	874760620	Bolt, Hex 3/8-16 UNC x 1-1/4	186	532165614	Hub Tapered Round CRD
57	<b>532170140</b>	V-Belt Kev	187	<b>817060620</b>	Screw Thdrol 3/8-16 x 1-1/4 TT
61	817060612	Screw, 3/8-16 x 3/4	197	<b>532169613</b>	Nyliner Snap-In 5/8" ID
62	532124872	Cover, Pedal	199	<b>532169612</b>	Bolt Shoulder 5/16-18 Unc
65	810040700	Washer	200	<b>872140508</b>	Bolt Rdhd Sqnk 5/16-18 Unc x 1
66	532154778	Keeper, Belt Engine F-Proof	202	872110612	Bolt Carr Sh 3/8-16 x 1-1/2 Gr 5
71	<b>532169183</b>	Strap, Torque, Lh	203	871170780	Bolt Hex 7/16-20 x 5
73	<b>532169182</b>	Strap, Torque, Rh	206	<b>819131416</b>	Washer 13/32 x 7/8 x 16 Ga.
74	<b>532137057</b>	Spacer, Split	207	<b>532169845</b>	Washer Nylon rear
75	532121749	Washer 25/32 x 1-1/4 x 16 Ga.	208	<b>532169844</b>	Bracket Idler LH Rear
76	812000001	Ring, E	209	<b>819110508</b>	Bolt Carr. 5/16-18 Unc x 1
77	532123583	Key, Square			

**NOTE:** All component dimensions given in U.S. inches  
1 inch = 25.4 mm

# REPAIR PARTS

TRACTOR- -MODEL NO. 145HCRD (P145HCRDC), PRODUCT NO. 954 12 00-34  
STEERING ASSEMBLY





# REPAIR PARTS

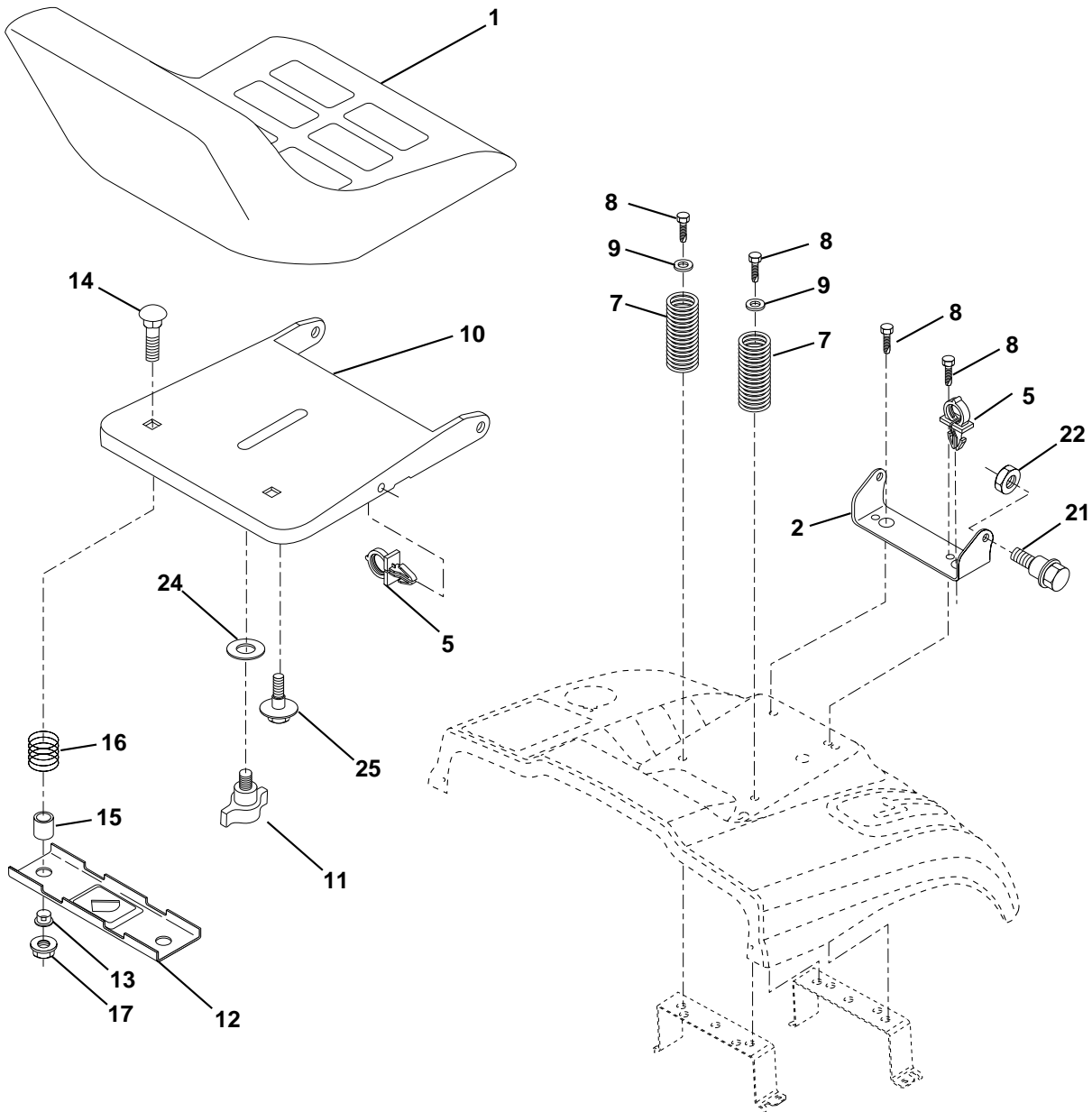
## TRACTOR- -MODEL NO. 145HCRD (P145HCRDC), PRODUCT NO. 954 12 00-34 STEERING ASSEMBLY

KEY NO.	PART NO.	DESCRIPTION
1	532139768	Steering Wheel
2	<b>532172393</b>	Cast Iron Axle Assembly
3	532169840	Spindle Assembly, L.H.
4	532169839	Spindle Assembly, R.H.
5	532124931	Bearing, Race, Thrust, Hardened
6	532121748	Washer 25/32 x 1-5/8 x 16 Gauge
8	812000029	Ring, Klip
10	532169832	Link, Drag
11	810040600	Washer, Lock
13	532136518	Spacer Bearing Axle Front
15	532145212	Nut, Hexflange Lock
17	532156546	Shaft Assembly, Steering
18	532057079	Washer, Thrust .515 x .750 x .033
19	532160395	Support, Shaft
22	532165857	Screw Hex Wshhd Torx
23	532165851	Pittman Shaft Assembly
25	532154406	Bracket, Steering
27	532136874	Gear, Sector
29	817060612	Screw, 3/8-16 x 3/4
32	532170162	Rod, Tie
33	819111216	Washer 11/32 x 3/4 x 16 Ga
34	810040500	Washer Lock Hvy Hlcl Spr 5/16
35	<b>873540500</b>	Locknut 5/16-24 Unf
36	532155099	Bushing, Steering
37	532152927	Screw TT #10-32 x 5 x 3/8 Flange
38	532140175	Cap Wheel Steer
39	819133812	Washer 13/32 x 2-3/8 x 12 Gauge
40	532124701	Nut Lock Center 3/8-24 Unf
41	532100711	Adaptor, Steering Wheel
42	532169633	Boot, Steering Dash P/L Mtl
43	532121749	Washer 25/32 x 1-1/4 x 16 Gauge
44	532153720	Extension Steering Non-Adjust
46	532121232	Cap, Spindle
51	873800500	Nut Lock Hx W/Ins 5/16-18 UNC
54	874780520	Bolt Fin Hex 5/16-18 UNC x 1-1/4
62	532167902	Kit, Steering Assembly, Service
63	874780616	Bolt Fin Hex 3/8-16 unc. x 1 Gr. 5
65	532160367	Spacer Brace Axle
66	532154404	Bearing Arm Pittman
67	872140618	Bolt Rdhd Sq 3/8-16unc x 2-3/4
68	532169827	Brace Axle
79	819132012	Washer 13/32 x 1-1/4 x 12 Ga
80	874950612	Bolt Hex Nylon 3/8-16 x 3/4
82	532169835	Bracket Susp Chassis Front
84	<b>532170016</b>	Bracket Cable Clutch Chassis
85	532133835	Fastner Christmas Tree
86	<b>817000612</b>	Screw Hex Wsh Thdr 3/8-16 x 3/4
87	<b>532173966</b>	Washer Flat

**NOTE:** All component dimensions given in U.S. inches.  
1 inch = 25.4 mm.

# REPAIR PARTS

TRACTOR- -MODEL NO. 145HCRD (P145HCRDC), PRODUCT NO. 954 12 00-34  
SEAT ASSEMBLY



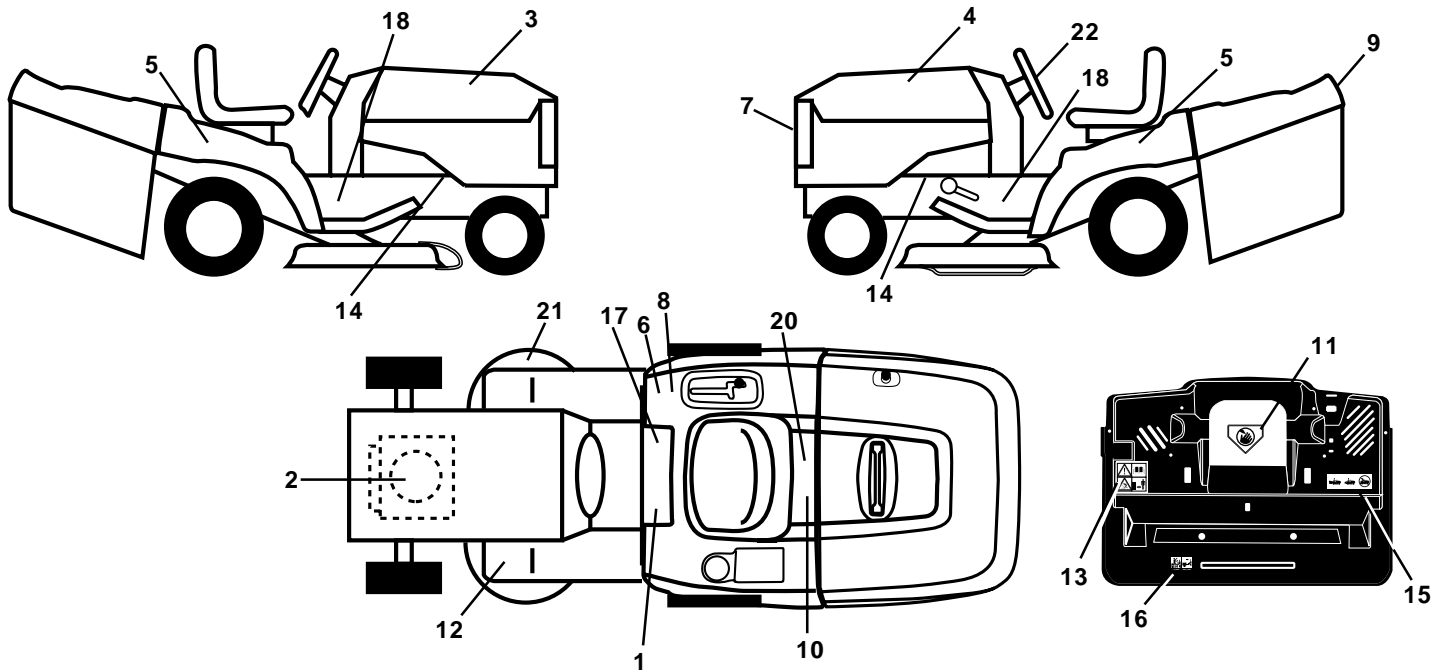
KEY NO.	PART NO.	DESCRIPTION
1	532140118	Seat
2	532140551	Bracket Pnt Pivot Seat (blk )
5	532145006	Clip Push In Hinged
7	532124181	Spring Seat Cprsn 2 250 Blk Zi
8	817000616	Screw 3/8-16 X 1-1/2
9	819131614	Washer 13/32 X 1 X 14 Ga
10	<b>532174894</b>	Pan Pnt Seat
11	532166369	Knob Seat Adj. Wingnut
12	532121246	Bracket Pnt Mounting Switch
13	532121248	Bushing Snap Blk Nyl 50 Id

KEY NO.	PART NO.	DESCRIPTION
14	872050412	Bolt Rdhd Sht Nk 1/4-20x1-1/2
15	532121249	Spacer Split 28 X 88 Zinc
16	532123740	Spring Cprsn
17	532123976	Nut Lock 1/4 Lge Flg Gr 5 Zinc
21	532171852	Bolt Shoulder 5/16-18 Unc-2A
22	873800500	Nut Hex Lock w/Ins 5/16-18
24	819171912	Washer 17/32 X 1-3/16 X 12 Ga.
25	532127018	Bolt Shoulder 5/16-18 X 62

**NOTE:** All component dimensions given in U.S. inches.  
1 inch = 25.4 mm

# REPAIR PARTS

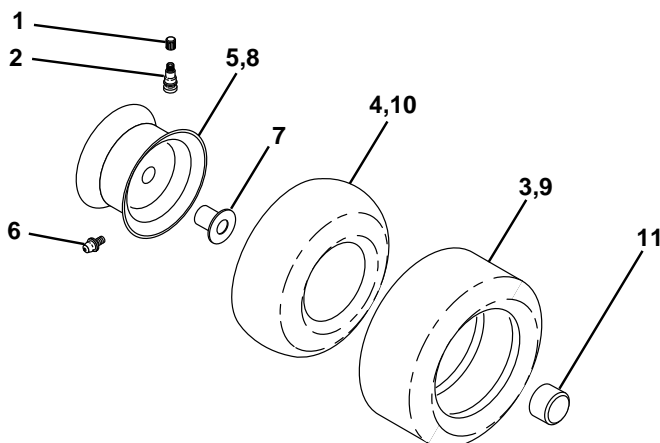
TRACTOR- -MODEL NO. 145HCRD (P145HCRDC), PRODUCT NO. 954 12 00-34  
DECALS



KEY NO.	PART NO.	DESCRIPTION
1	532145498	Decal Read Owner's Manual Sym
2	<b>532176396</b>	Decal Hp Engine
3	532167153	Decal Hood Rh
4	532167154	Decal Hood Lh
5	532140950	Decal Fender Automatic
6	532126187	Decal 100 DBA
7	532140986	Decal Grille P/L LT
8	532145437	Decal Europe Stand Ce
9	532140987	Decal Fender Logo
10	532145005	Decal Bat Dan/Poi P/L Sym Wpn
11	532145494	Decal Mower Cut Finger Symbol
12	532159737	Decal Brake/Clutch Symbol Lt
13	532166959	Decal Warn Back Plate CRD

KEY NO.	PART NO.	DESCRIPTION
14	532159736	Decal Chassis Hot Muffler
15	532166961	Decal Oper Bag Presence CRD
16	532162598	Decal Drawbar Load Limit
17	532140837	Decal Saddle Brake Parking
18	532137588	Decal Chas Turbo
20	532166960	Decal Bypass Fender CRD
21	532166286	Decal Hex Belt Sch 92 CRD
22	532146998	Decal Strg Whl
—	532138311	Decal Lift Handle
—	532171237	Pad Footrest
—	<b>532175748</b>	Manual Operator's (Euro)
—	<b>532175749</b>	Manual Operator's (Scan)

## WHEELS & TIRES

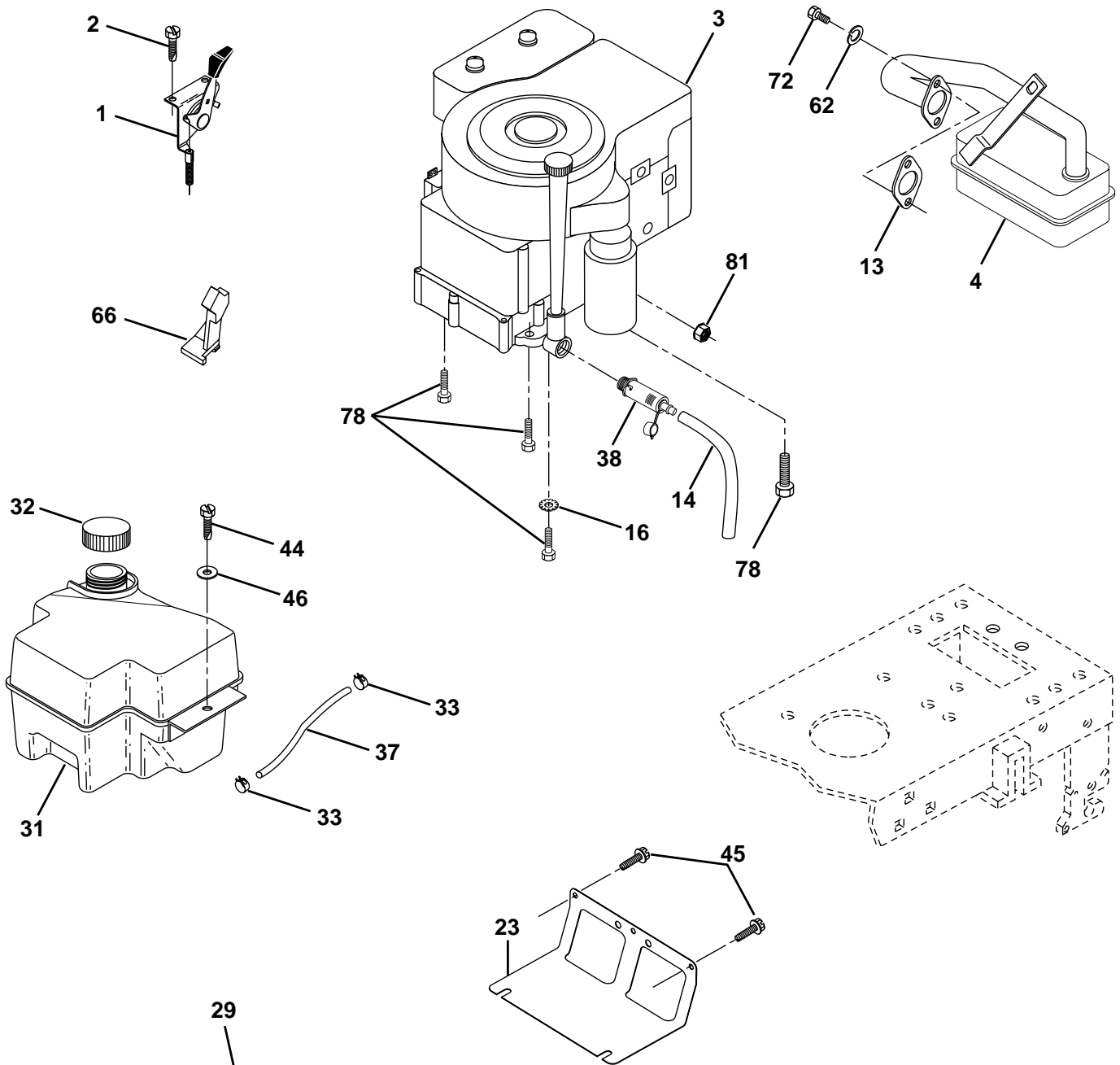


KEY NO.	PART NO.	DESCRIPTION
1	532059192	Cap Valve Tire
2	532065139	Stem Valve
3	532106222	Tire F Ts 15 X 6 0 - 6 Service
4	532059904	Tube Inner Front #35060
5	532125121	Rim Asm 6"front Service
6	532124957	Fitting Grease
7	532124959	Bearing Flange
8	532125122	Rim Asm 8"rear Service
9	532138468	Tire R Ts 20 x 8-8 Service
10	532124926	Tube Rear 9 5 X 8 Service
11	<b>532175039</b>	Cap Axle Blk 1 50 X 1 00
--	144334	Sealant, Tire (10 oz. tube)

**NOTE:** All component dimensions given in U.S. inches  
1 inch = 25.4 mm

# REPAIR PARTS

TRACTOR- -MODEL NO. 145HCRD (P145HCRDC), PRODUCT NO. 954 12 00-34  
ENGINE



**OPTIONAL EQUIPMENT**  
**Spark Arrester**

# REPAIR PARTS

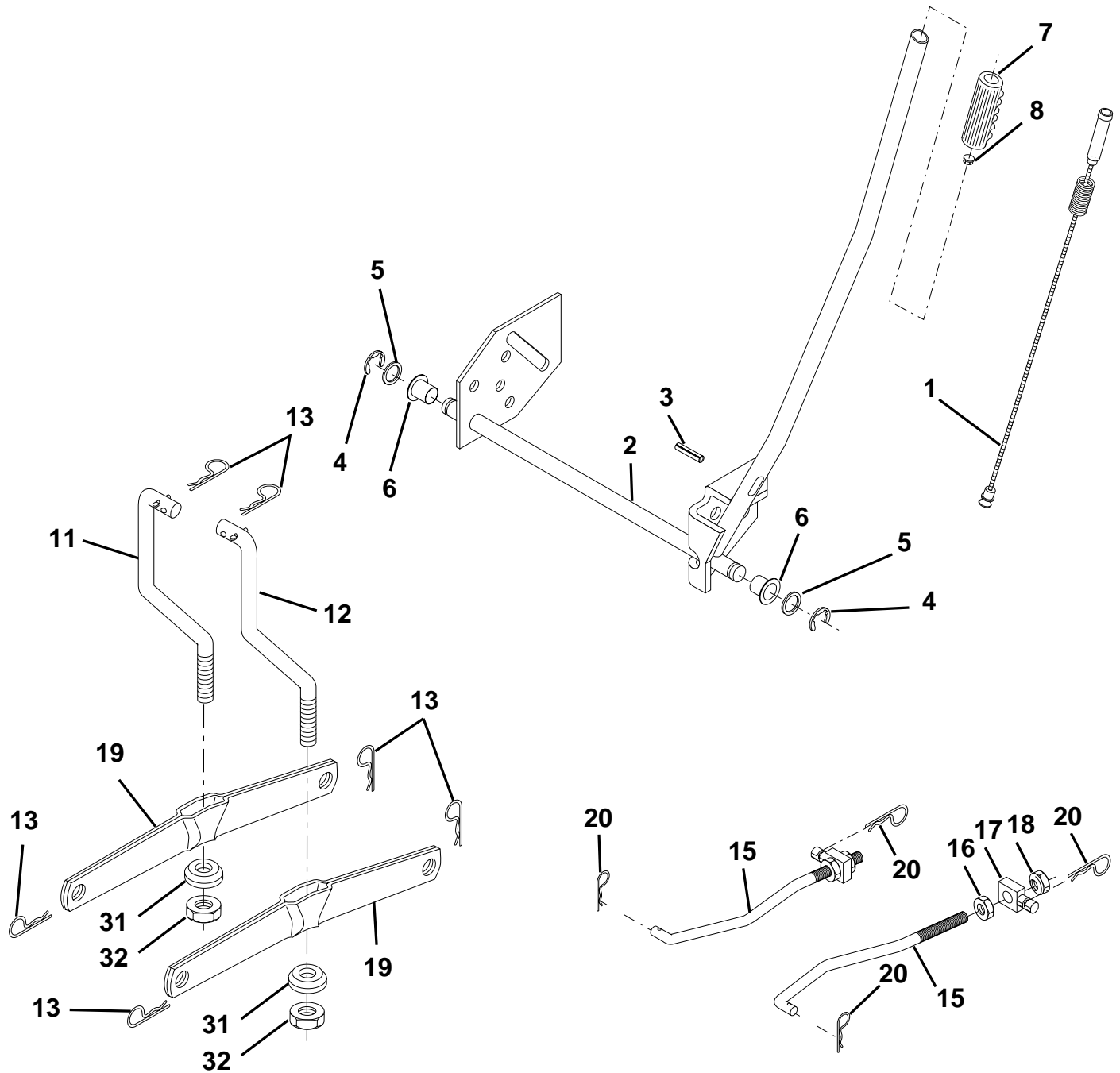
TRACTOR- -MODEL NO. 145HCRD (P145HCRDC), PRODUCT NO. 954 12 00-34  
ENGINE

KEY NO.	PART NO.	DESCRIPTION
1	<b>532170865</b>	Control Throt /Ch Lh
2	817720410	Screw Hex Thd Cut 1/4-20x5/8 T
3	-----	Engine B&S Model 287707 (Order Parts from Engine Manufacturer)
4	532137352	Muffler Exhaust B&S Lt
13	532165291	Gasket 1 313 Id Tin Plated
14	<b>532148456</b>	Tube Drain Oil Easy
16	811050600	Washer Lock Ext Tooth 3/8
23	532169837	Shield Browning/Debris Guard
29	532137180	Arrestor Spark
31	<b>532174642</b>	Tank Fuel 2.00 Fr
32	532140527	Cap Asm Fule Top Vent N/Lany
33	532123487	Clamp Hose Blk
37	532137040	Line Fuel 20"
38	<b>532148315</b>	Plug Drain Oil Easy
44	<b>819091416</b>	Washer 9/32 x 7/8 x 16 Ga.
45	817000612	Screw Hexwsh Thdr 3/8-16 x 3/4
46	819091416	Washer 9/32 X 7/8 X 16ga
62	810040500	Washer Lock Hvy Hlcl Spr 5/16
66	532127951	Stop Throttle 3000 Rpm
72	871070512	Screw Hexhd Cap 5/16-18x3/4
78	817060620	Screw 3/8-16x1-1/4
81	873510400	Nut Keps Hex 1/4-20 Unc

**NOTE:** All component dimensions given in U.S. inches  
1 inch = 25.4 mm

# REPAIR PARTS

TRACTOR- -MODEL NO. 145HCRD (P145HCRDC), PRODUCT NO. 954 12 00-34  
MOWER LIFT



# REPAIR PARTS

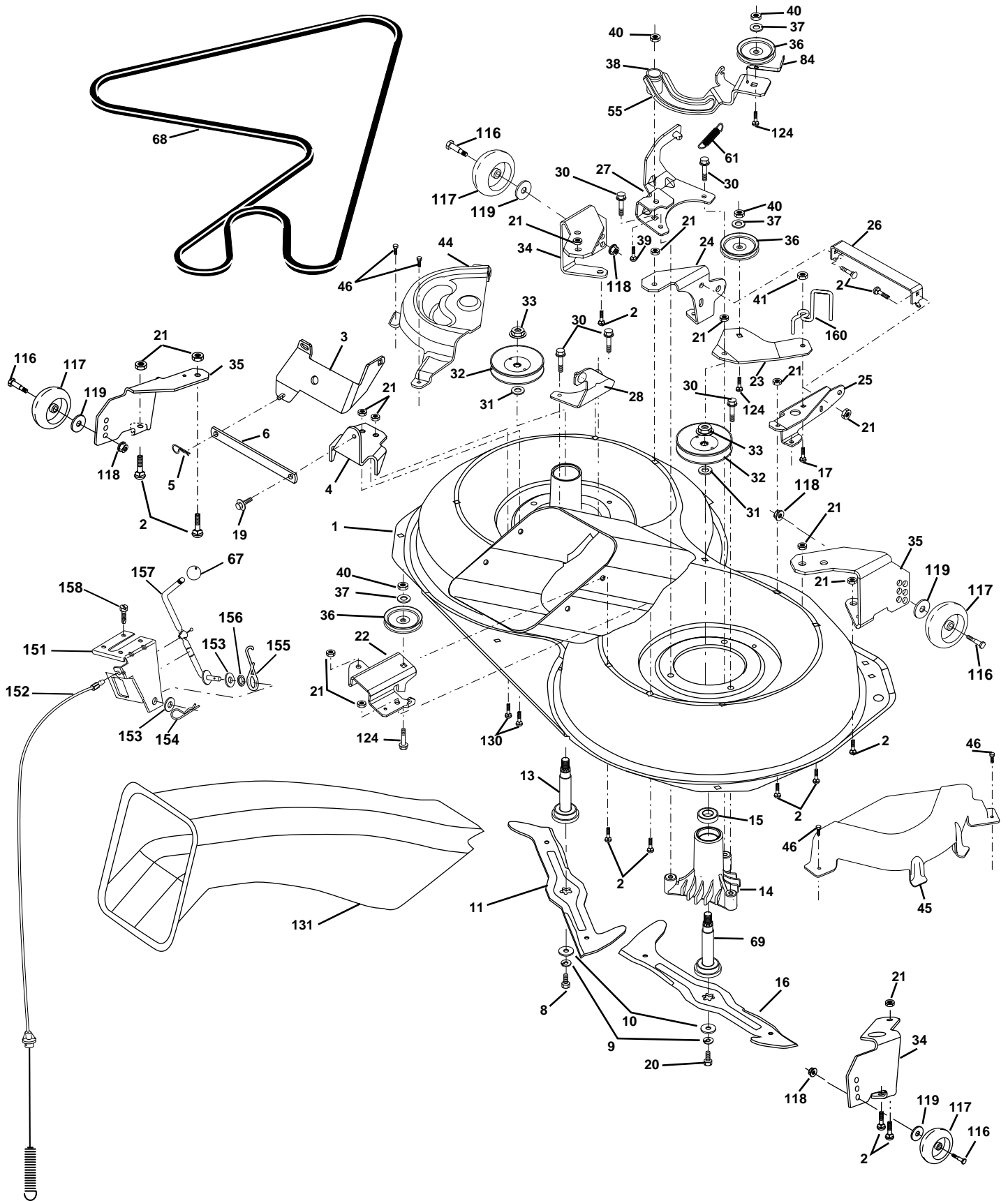
TRACTOR- -MODEL NO. 145HCRD (P145HCRDC), PRODUCT NO. 954 12 00-34  
MOWER LIFT

KEY NO.	PART NO.	DESCRIPTION
1	532159460	Wire Asm Inner W/Plunger
2	532159471	Shaft Asm Lift
3	532105767	Pin Groove
4	812000002	E Ring #5133-62
5	819211621	Washer 21/32 X 1 X 21ga
6	532120183	Bearing Nylon
7	532109413	Grip Handle Bicycle
8	532124526	Button Plunger Black
11	532165829	Link Asm Lift LH
12	532165831	Link Asm Lift RH
13	532124670	Retainer Spring
15	<b>532173288</b>	Link Front
16	873350800	Nut Jam Hex 1/2-13 Unc
17	532130171	Trunnion Blk Zinc
18	873800800	Nut Lock W/Wsh 1/2-13 Unc
19	532139868	Arm Suspension Rear
20	532163552	Retainer Spring
31	<b>532169865</b>	Bearing Pvt Lift Spherical
32	873540600	Nut Crownlock 3/8-24

**NOTE:** All component dimensions given in U.S. inches  
1 inch = 25.4 mm

# REPAIR PARTS

TRACTOR- -MODEL NO. 145HCRD (P145HCRDC), PRODUCT NO. 954 12 00-34  
MOWER





# REPAIR PARTS

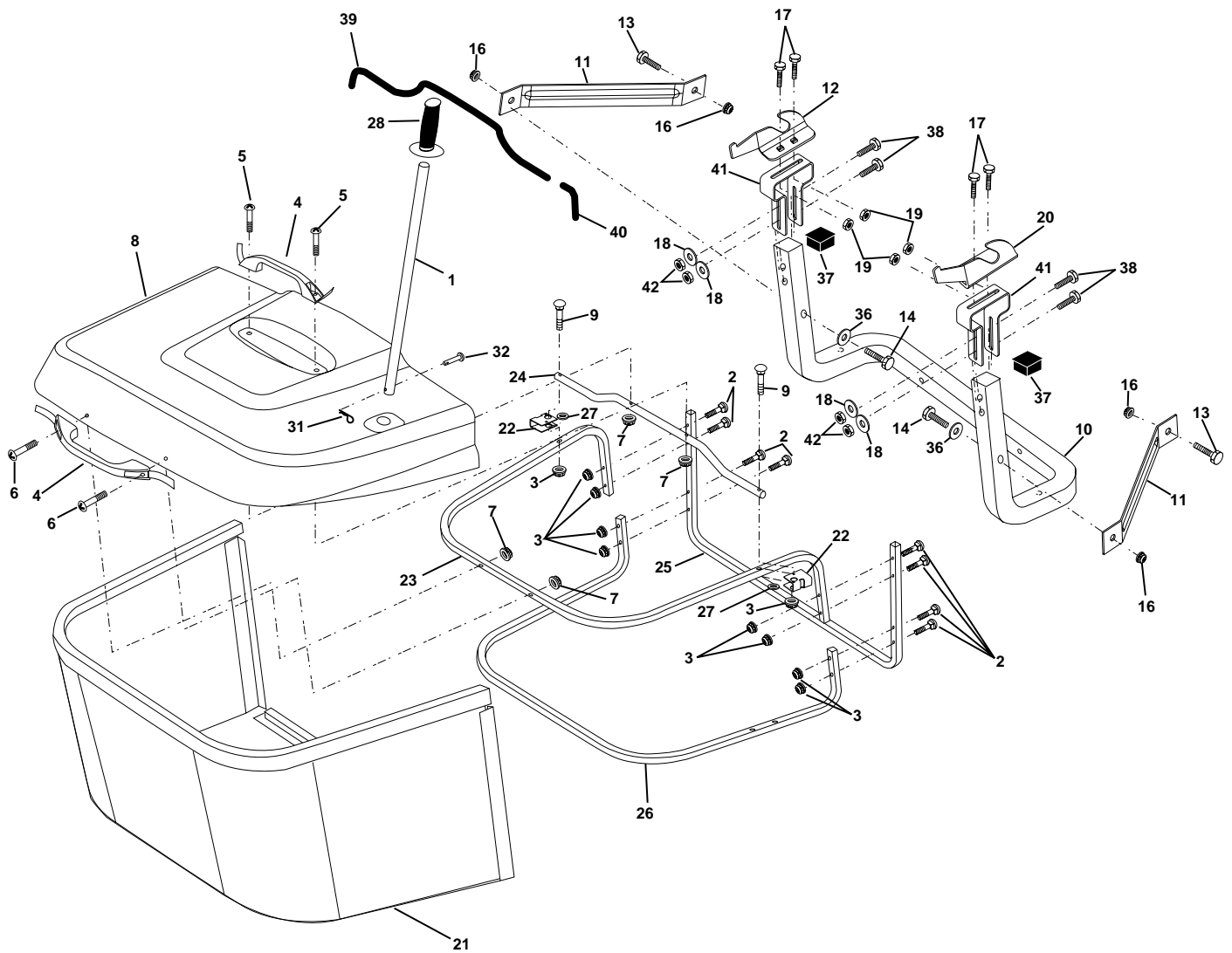
TRACTOR- -MODEL NO. 145HCRD (P145HCRDC), PRODUCT NO. 954 12 00-34  
MOWER

KEY NO.	PART NO.	DESCRIPTION	KEY NO.	PART NO.	DESCRIPTION
1	532169160	Housing Asm. Mower	39	872110622	Bolt Rdhd 3/8-16 Unc x 2-3/4 Gr. 5
2	872140506	Bolt Rdhd Sqnk 5/16-18 Unc x 3/4	40	873680600	Nut Crownlock 3/8-16 Unc
3	532165569	Bracket Asm. S-Bar Chass	41	<b>873900600</b>	Nut Lock Flg. 3/8-16 Unc
4	532169167	Bracket Bar Sway Deck	44	532169180	Cover Mandrel Lh
5	532124670	Retainer Spring	45	532169179	Cover Mandrel Rh
6	532165557	Bar Sway	46	532137729	Screw Thd Roll 1/4-20 x 5/8
8	532850857	Bolt 3/8-24 x 1.25 Gr8 Patched	55	532169849	Arm Idler 107 CRD
9	810030600	Washer Lock Hvy 3/8 Unplated	61	<b>532175159</b>	Spring Tension Belt
10	532140296	Washer Hard Blade Mower vented	67	532106932	Knob Rd 3/8-16 Plstc Thds Blk
11	<b>532175450</b>	Blade 3-1 Lh	68	532169178	Hex-Belt Mower
13	532137645	Shaft Asm. W/Lower Bearing	69	532165482	Shaft Asm W/Lwr Brg Rh Thd CRD
14	532128774	Housing Mandrel Vented (Machd)	84	532156085	Keeper Belt Idler
15	532110485	Bearing Ball Mandrel	116	532137644	Bolt Shoulder
16	<b>532175451</b>	Blade 3-1 Rh	117	532133957	Wheel Gage Donut Wide
17	<b>872140612</b>	Bolt Carriage 3/8-16 x 1-1/4	118	873930600	Nut Centerlock 3/8-16 Unc
19	532132827	Bolt Shoulder 5/16-18 Thd Form	119	819121414	Washer 3/8 x 7/8 x 14 Ga.
20	532165484	Bolt 3/8-24 x 1.25 Gr8 Ptch Lhthd	124	872110612	Bolt Carr Sh 3/8-16 x 1-1/2 Gr5
21	873680500	Nut Crown Lock 5/16-18	130	872110506	Bolt Rdhdsqnk 5/16-18 Unc x 3/4
22	532169165	Bracket Idler RR	131	532165661	Chute Bagger CRD 92cm
23	532169166	Bracket Idler RF	151	532169670	Bracket Clutch Cable
24	532169170	Bracket Suspension LF	152	<b>532176074</b>	Cable Clutch
25	532169171	Bracket Suspension RF	153	532169674	Washer Flat 3/8"
26	532165237	Brace Support Susp Frt CRD	154	532169675	Spring Retainer
27	532169172	Bracket Asm. Susp RR	155	532169671	Spring Retention Lvr Cltch Cab
28	532169168	Bracket Asm. Susp LR	156	532169672	Spacer Clutch Cable
30	532157722	Screw Thd Rolling Washer Head	157	532169669	Rod Clutch Cable 3/8"
31	532129963	Washer Spacer Mower Vented	158	817720410	Screw Hex Thd Cut 1/4-20 x 5/8
32	<b>532175707</b>	Mandrel Pulleys	160	<b>532175160</b>	Guide Belt CRD
33	532137266	Nut Flg Top Lock Cntr B 9/16	--	532130794	Mandrel Asm Service
34	<b>532176291</b>	Bracket Gauge Wheel Lf	--	532165579	Mandrel Asm CRD Lh Threads SVC
35	<b>532176292</b>	Bracket Gauge Wheel Rf	--	<b>532175842</b>	Deck Service
36	532146763	Pulley Idler V-Groove Dim 4.25			
37	819131316	Washer 11/32 x 13/16 x 16 Ga			
38	532169851	Spacer Hub Arm Idler 107 CRD			

**NOTE:** All component dimensions given in U.S. inches  
1 inch = 25.4 mm

# REPAIR PARTS

TRACTOR- -MODEL NO. 145HCRD (P145HCRDC), PRODUCT NO. 954 12 00-34  
BAGGER



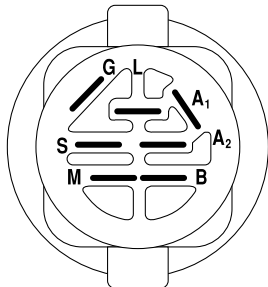
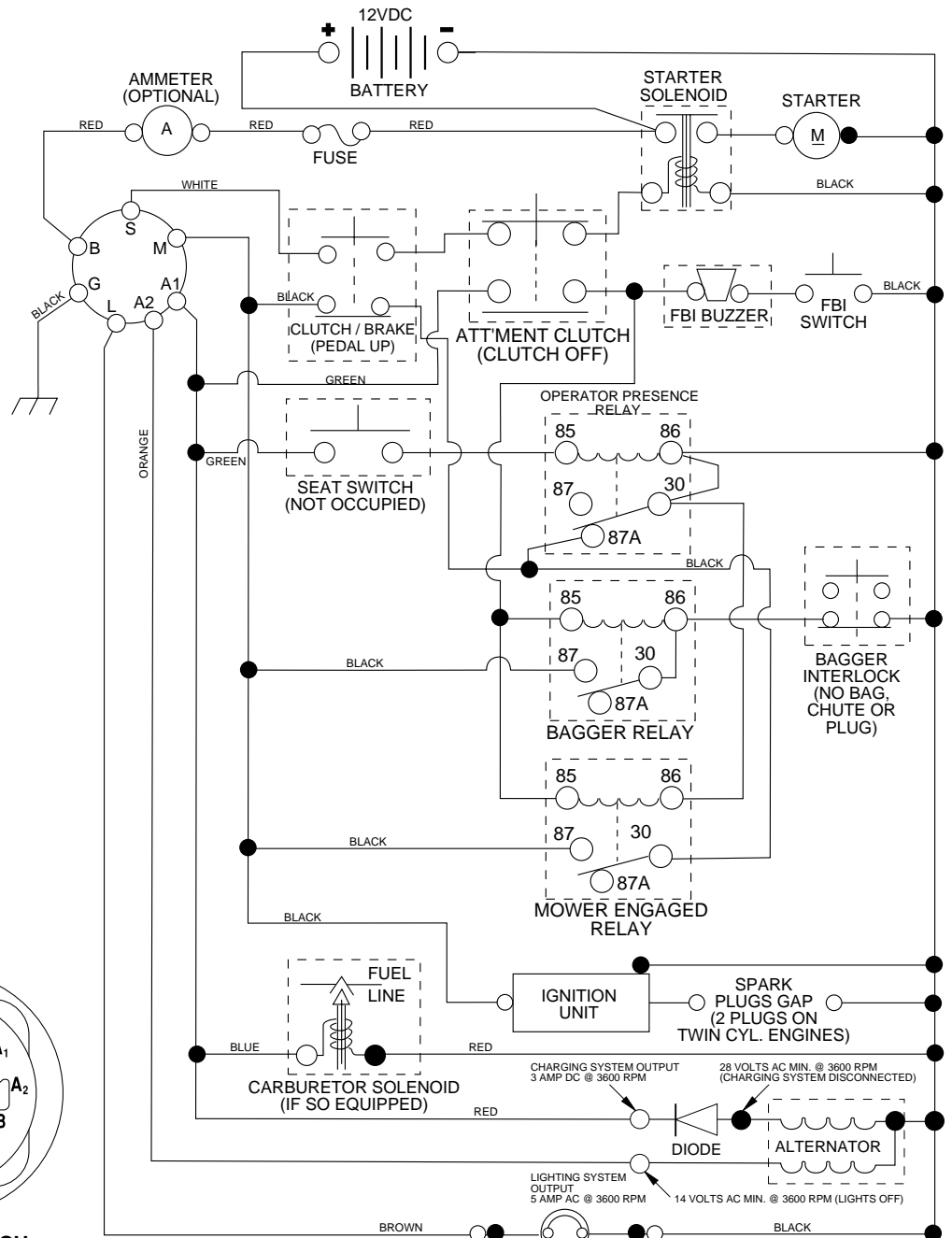
# REPAIR PARTS

TRACTOR- -MODEL NO. 145HCRD (P145HCRDC), PRODUCT NO. 954 12 00-34  
BAGGER

KEY NO.	PART NO.	DESCRIPTION	KEY NO.	PART NO.	DESCRIPTION
1	<b>532170690</b>	Tube Handle Bagger CRD	21	532165780	Bag Asm CRD
2	872140416	Bolt Carriage 1/4-20 X 2.0 Gr.5	22	532165781	Bracket Side Bagger CRD
3	532123976	Nut Lock 1/4 Lge Flg Gr. 5 Zinc	23	532165782	Tube Upper Bagger CRD
4	532169916	Handle Bagger w/Lvrs Gr. 5 Zinc	24	532165783	Tube Pivot Bagger CRD
5	874981024	Screw Pan Head #10-24 X 1.50 Blk	25	532165784	Tube Front Bagger CRD
6	874981032	Screw Pan Hd	26	532165785	Tube Lower Bagger CRD
7	873401000	Nut Wiz Lock Hex Serr/Hd 10-24	27	532169692	Bushing Snap Bagger CRD
8	532168792	Cover Bagger Plastic CRD	28	<b>532170696</b>	Grip Handle Black
9	872140418	Bolt Carriage 1/4-20 x 2.25d x Gr.5	31	532124788	Retainer Spring 1" Zinc/Cad
10	532169688	Tube Support Bagger CRD	32	532126875	Rivet Rd Hd Drilled 3/8 Dia
11	532165719	Bracket Support Upper Bag CRD	36	819132016	Washer 13/32 x 1-1/4 x 16 Ga.
12	532169685	Bracket Horiz. Adj Bagger	37	<b>532175401</b>	Plug support Bagger CRD
13	872110606	Bolt Rdhd Sht Sqnk 3/8-16 X 3/4	38	872010520	Bolt 5/16-18 x 2-1/2
14	874520640	Bolt Hex 3/8-16 X 2-1/2 Gr. 5	39	532169999	Seal 26" (Long)
16	873900600	Nut Lock Flg 3/8-16 Unc	40	532170000	Seal 7" (Short)
17	872140506	Bolt Rdhd Sht Sqnk 5/16-18Unc X 3/4	41	532169683	Bracket Vert Adj Bagger CRD
18	<b>819111216</b>	Washer 11/32 x 3/4 x 16 Ga.	42	<b>873800500</b>	Nut Lock Hex w/Ins. 5/16-18 Unc
19	873900500	Nut Lock Hex Flange 5/16-18			
20	532169684	Bracket Horiz Adj Bagger			

**NOTE:** All component dimensions given in U.S. inches  
1 inch = 25.4 mm

# TRACTOR- -MODEL NO. 145HCRD (P145HCRDC), PRODUCT NO. 954 12 00-34 SCHEMATIC



**IGNITION SWITCH**

POSITION	CIRCUIT	"MAKE"
OFF	M+G+A1	NONE
RUN/LIGHT	B+A1	A2+L
RUN	B+A1	NONE
START	B + S + A1	NONE

**WIRING INSULATED CLIPS**  
NOTE: IF WIRING INSULATED CLIPS WERE REMOVED FOR SERVICING OF UNIT, THEY SHOULD BE REPLACED TO PROPERLY SECURE YOUR WIRING.

● ——— ●  
NON-REMOVABLE CONNECTIONS

○ ——— ○  
REMOVABLE CONNECTIONS

**PTO SWITCH**

POSITION	CIRCUIT
OFF	C + G, B + H
ON	C + F, B + E, A + D

**HEADLIGHTS**

**NOTE**  
YOUR TRACTOR IS EQUIPPED WITH A SPECIAL ALTERNATOR SYSTEM. THE LIGHTS ARE NOT CONNECTED TO THE BATTERY, BUT HAVE THEIR OWN ELECTRICAL SOURCE. BECAUSE OF THIS, THE BRIGHTNESS OF THE LIGHTS WILL CHANGE WITH ENGINE SPEED. AT IDLE THE LIGHTS WILL DIM. AS THE ENGINE IS SPEEDED UP, THE LIGHTS WILL BECOME THEIR BRIGHTEST.



**RELAY**

