

**REPAIR  
PARTS MANUAL  
MODEL NO. WZ12536RDD  
Lawn Tractor**

---

**WIZARD**

# HOW TO USE THIS MANUAL

This manual is designed to provide the customer with a means to identify the parts on his/her tractor when ordering repair parts. The illustrations may or may not represent the actual assemblies; therefore, it is not recommended to use this manual as a guide to assemble or disassemble the tractor. Some hardware and parts are drawn larger in order to more readily identify them.

Each tractor has its own model number.

The model number for your tractor can be found on the fender under the seat.

When ordering parts, always give the following information:

- Product - "Tractor"
- Model Number - "WZ12536RDD"
- Part Number
- Part Description

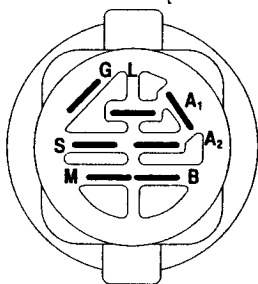
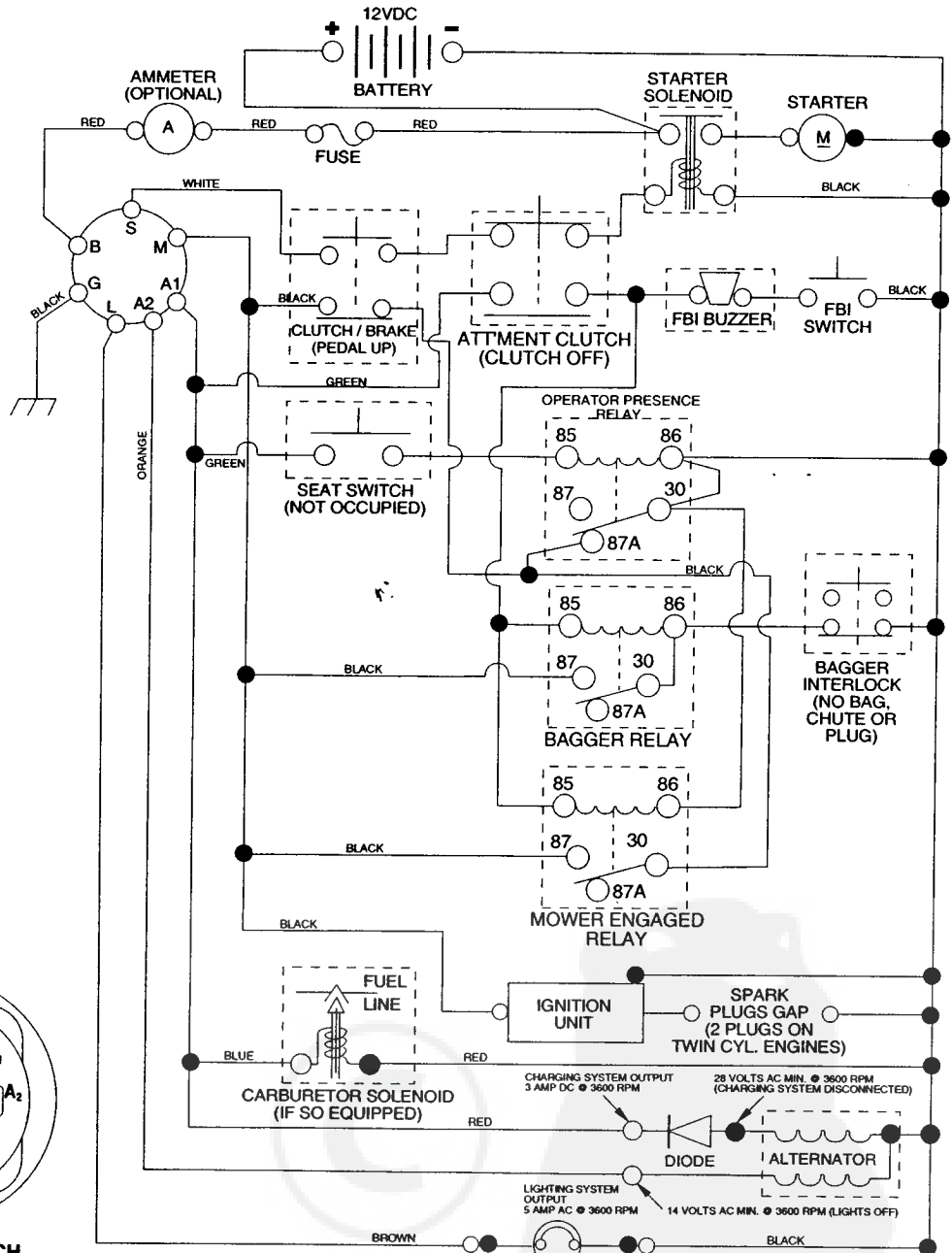
## TABLE OF CONTENTS

SCHEMATIC.....	3
ELECTRICAL.....	4-5
CHASSIS.....	6-7
DRIVE.....	8-9
STEERING.....	10-11
SEAT.....	12
DECALS.....	13
ENGINE.....	14-15
MOWER LIFT.....	16-17
MOWER DECK.....	18-19
BAGGER.....	20-21
WARRANTY.....	23

# REPAIR PARTS

## TRACTOR- -MODEL NO. WZ12536RDD

### SCHEMATIC



**IGNITION SWITCH**

POSITION	CIRCUIT	"MAKE"
OFF	M+G+A1	NONE
RUN/LIGHT	B+A1	A2+L
RUN	B+A1	NONE
START	B + S + A1	NONE

**WIRING INSULATED CLIPS**  
NOTE: IF WIRING INSULATED CLIPS WERE REMOVED FOR SERVICING OF UNIT, THEY SHOULD BE REPLACED TO PROPERLY SECURE YOUR WIRING.

●  
NON-REMOVABLE CONNECTIONS

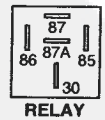
○  
REMOVABLE CONNECTIONS

**PTO SWITCH**

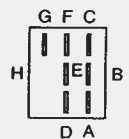
POSITION	CIRCUIT
OFF	C + G, B + H
ON	C + F, B + E, A + D

**HEADLIGHTS**

**NOTE**  
YOUR TRACTOR IS EQUIPPED WITH A SPECIAL ALTERNATOR SYSTEM. THE LIGHTS ARE NOT CONNECTED TO THE BATTERY, BUT HAVE THEIR OWN ELECTRICAL SOURCE. BECAUSE OF THIS, THE BRIGHTNESS OF THE LIGHTS WILL CHANGE WITH ENGINE SPEED. AT IDLE THE LIGHTS WILL DIM. AS THE ENGINE IS SPEEDED UP, THE LIGHTS WILL BECOME THEIR BRIGHTEST.



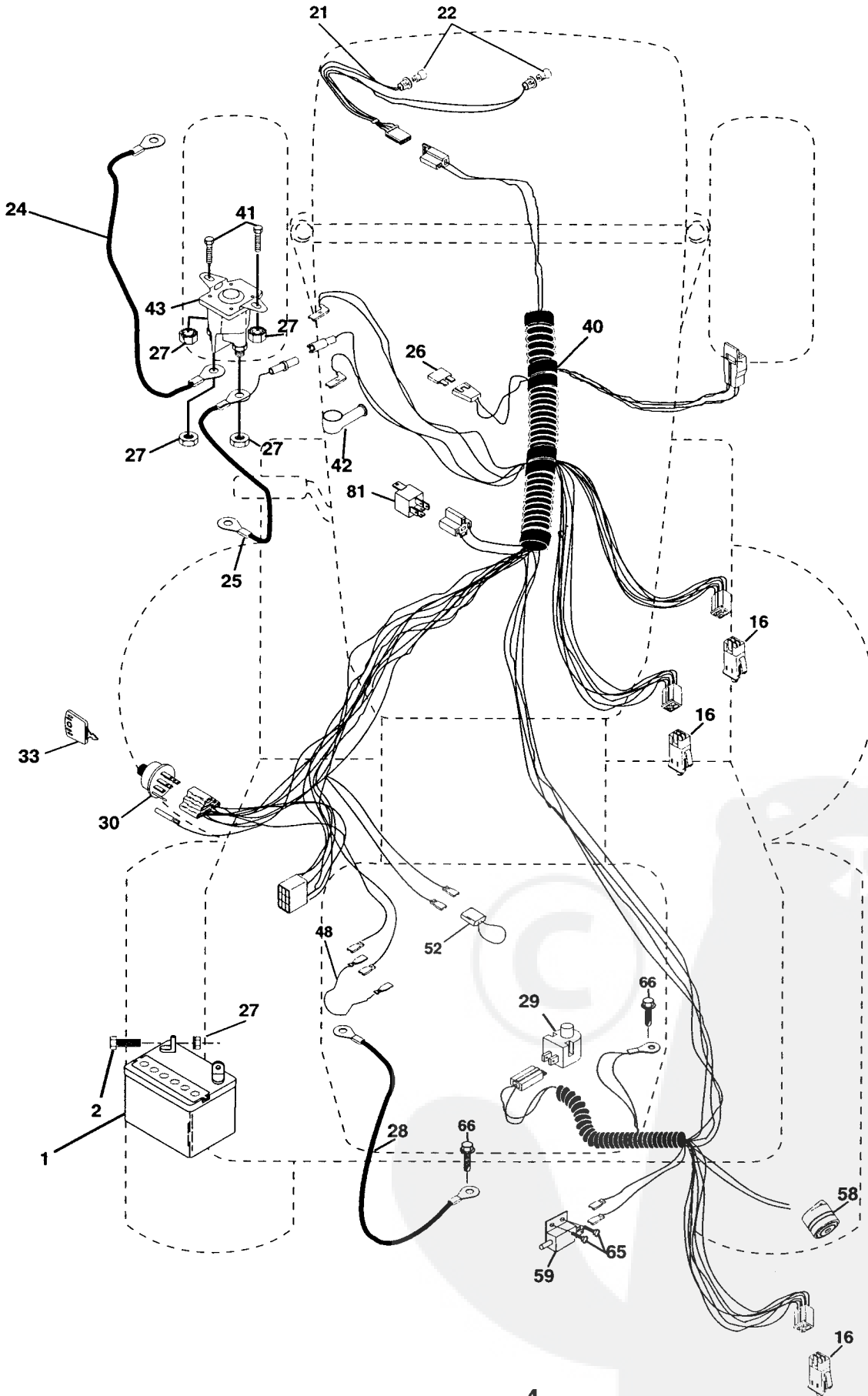
**RELAY**



# REPAIR PARTS

## TRACTOR- -MODEL NO. WZ12536RDD

### ELECTRICAL



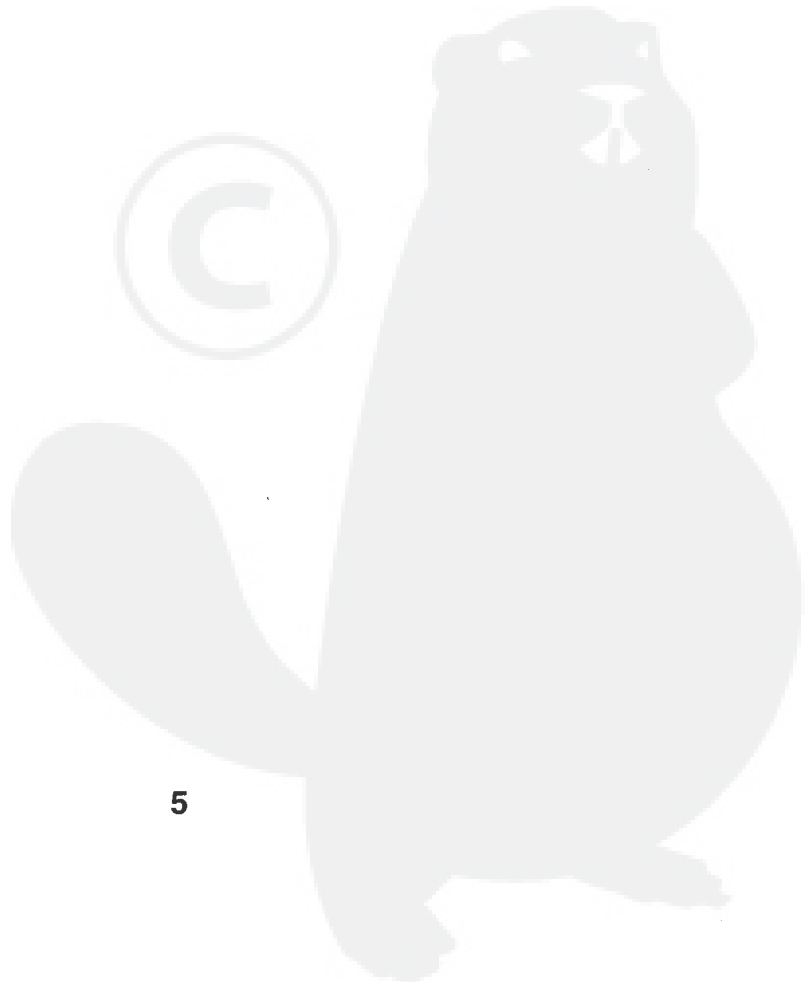
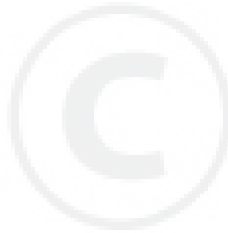
# REPAIR PARTS

TRACTOR- -MODEL NO. WZ12536RDD

## ELECTRICAL

KEY NO.	PART NO.	DESCRIPTION
1	144925	Battery 12 Volt 25 AMP Wet
2	74760412	Bolt Hex Hd 1/4-20 Unc X 3/4
16	153664	Switch Interlock Push-In
21	166181	Harness Asm Light W/4152J
22	4152J	Bulb Light #1156
24	4799J	Cable Battery 6 Ga 11" Red
25	165987	Cable Battery Crd 56" Red
26	<b>175158</b>	Fuse 20 Amp
27	73510400	Nut Keps Hex 1/4-20 Unc
28	127725X	Cable Ground 6Ga 18" Black
29	160784	Switch Plunger Normal Op Olive
30	<b>175566</b>	Switch Ignition
33	140401	Key Ign Molded
40	170164	Harness Ign Crd Noram
41	71110408	Bolt Flk Fin Hex 1/4-20 Unc X 1/2
42	131563	Cover Terminal Red
43	<b>175141</b>	Solenoid*
48	140844	Adapter Ammeter Rectangular
52	141940	Protection Wire Loop
58	169419	Buzzer Crd
59	166299	Switch FBI CRD
65	17211008	Screw Sift #10-16 x 1/2 Ty-Ab
66	17490608	Screw Thdrol 3/8-16 x 1/2 Ty-Tt
81	109748X	Relay Asm

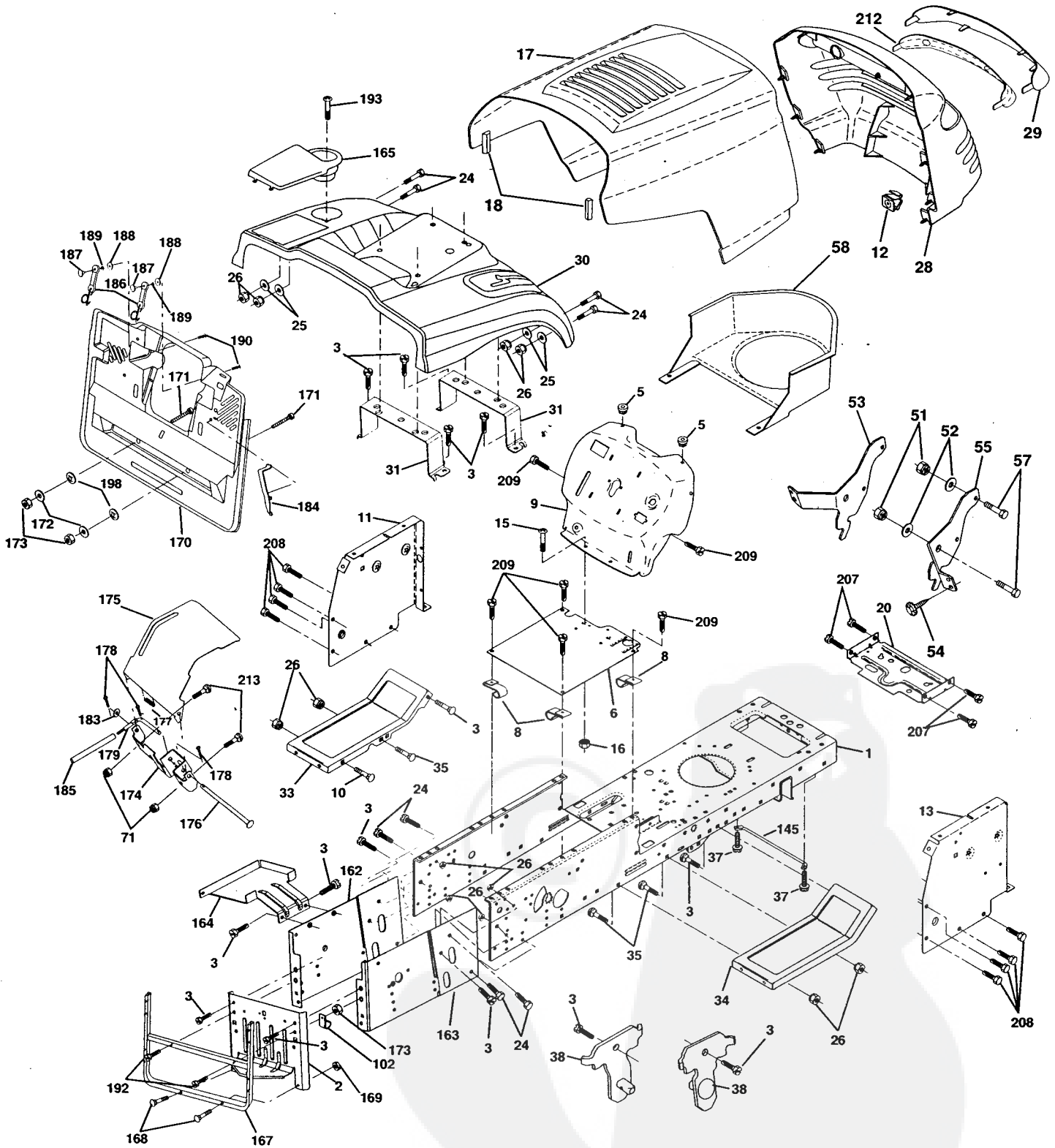
**NOTE:** All component dimensions given in U.S. inches.  
1 inch = 25.4 mm.



# REPAIR PARTS

TRACTOR- -MODEL NO. WZ12536RDD

## CHASSIS AND ENCLOSURES



# REPAIR PARTS

## TRACTOR- -MODEL NO. WZ12536RDD

### CHASSIS AND ENCLOSURES

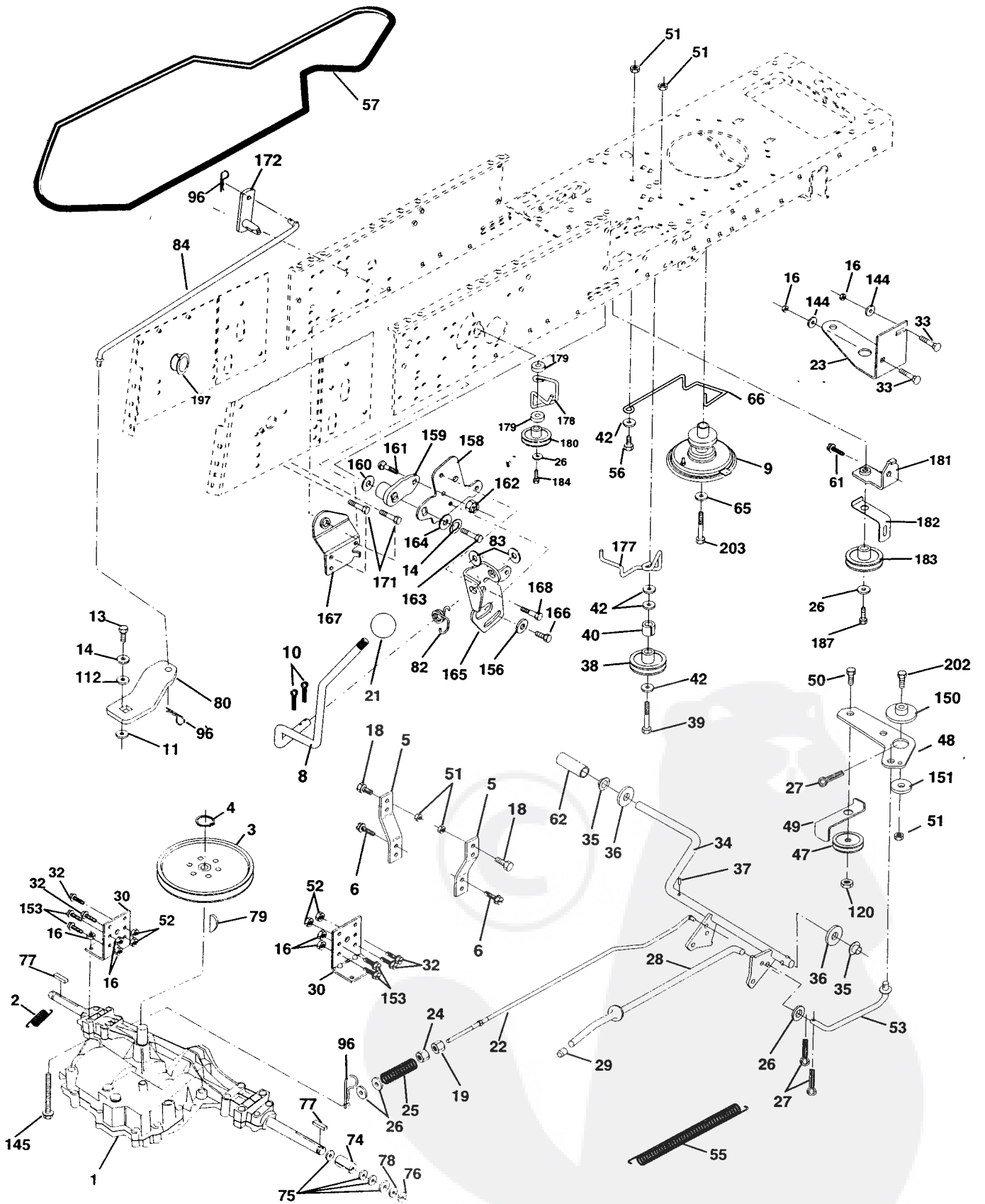
KEY NO.	PART NO.	DESCRIPTION	KEY NO.	PART NO.	DESCRIPTION
1	169831	Chassis Stamping	162	<b>170256</b>	Bracket Exten Chassis Lh CRD
2	165606	Drawbar	163	<b>175770</b>	Bracket Exten Chassis Rh CRD
3	17060612	Screw 3/8-16 x 3/4	164	165605	Support Battery CRD
5	155272	BumperHood/Dash	165	165742X428	Cover Battery CRD Lt
6	155923	Saddle	167	165779	Support Asm. Backplate WLDMNT
8	126471X	Clip Insulator 13/32 Mtg. Hole	168	72050412	Bolt, RDHD SHT NK 1/4-20 x 1-1/2
9	168347X011	Dash	169	123976X	Nut, Lock 1/4 LGE FLG Gr. 5 Zinc
10	72140608	Bolt, Carriage 3/8-16 x 3/4	170	<b>175264</b>	Backplate Asm CRD
11	155927	Panel, Dash, L.H.	171	<b>72140620</b>	Bolt Rdhd Sqnk 3/8-16 x 2-1/2 G5
12	145660	Clip Tinnerman Grille P/L	172	19132016	Washer 13/32 x 1-1/4 x 16 Ga.
13	172107X010	Panel, Asm. Dash R.H.	173	73510600	Nut, Keps Hex 3/8-16 UNC
15	74180512	Screw, Machine, Truss Head 5/16-18 UNC x 3/4	174	165939	Bracket Switch FBI CRD
16	73510500	Nut	175	166212	Guard Door Rear CRD
17	159639X505	Hood Assembly	176	128600	Pin Hinge Pivot
18	126938X	BumperHood	177	132796	Spring Bagger Top LH Black
20	156437	Plate Mtg. Battery/Fuel Tank	178	76020312	Pin Cotter 3/32 x 3/4 Cad Zinc
24	74780616	Bolt	179	165942	Rod Pivot FBI CRD
25	19131312	Washer 13/32 x 13/16 x 12 Gauge	180	74760516	Bolt Hex HD 5/16-18 UNC x 1
26	73800600	Nut	181	73680500	Nut Crownlock 5/16-18
28	140434	Grille PL	182	138200	Washer .385 x .625 x 11 Ga.
29	140273X599	Lens, Grille	183	19131316	Washer 13/32 x 13/16 x 16 Ga.
30	165714X505	Fender	184	<b>174662</b>	Bracket Actuator Bagger CRD
31	165156	Bracket, Fender Support	185	165940	Tube Lever Switch FBI CRD
33	145244X505	Footrest, L.H.	186	160793	Latch Asm Mulch/Bagger
34	145243X505	Footrest, R.H.	187	2029J	Nut Weld
35	72110606	Bolt	188	19061216	Washer #10
37	17490508	Screw Thdrol 5/16-18 x 1/2 TYT	189	10071000	Washer Lock #10
38	169834	Bracket Asm Pivot Mower Rear	190	<b>71081010</b>	Screw Pan Hd Phillip 10-24 x 5/8
51	73800400	Nut Lock w/Insert 1/4-20 UNC	192	<b>17060624</b>	Screw 3/8-16 x 1-1/2
52	19091416	Washer 9/32 x 7/8 x 16 Ga.	193	17070412	Screw Truss 1/4-20 x 3/4 Tap/R
53	144697	Bracket Grille LH	198	168937	Nut, Push
54	161464	Screw Hex Wshd 8-18 x 7/8	207	17670508	Screw Thdrol 5/16-18 x 1/2
55	144696	Bracket Grille RH	208	17670608	Screw Thdrol 3/8-16 x 1/2
57	74780412	Bolt, Fin Hex 1/4-20 UNC x .75	209	17000612	Screw Hexwsh Thdr 3/8-16 x 3/4
58	150127	Duct Air Engine PL/LT	212	156229	Insert Lens Reflector
71	<b>73680400</b>	Nut Crownlock 1/4-20 Unc	213	<b>72110406</b>	Bolt Carr
102	2751R	Clip Line Fuel 13/32 Mtg. Hole	--	5479J	Plug, Button
145	156524	Rod Pivot Chassis/Hood			

**NOTE:** All component dimensions given in U.S. inches.  
1 inch = 25.4 mm.

# REPAIR PARTS

TRACTOR- -MODEL NO. WZ12536RDD

DRIVE





# REPAIR PARTS

## TRACTOR- -MODEL NO. WZ12536RDD

### DRIVE

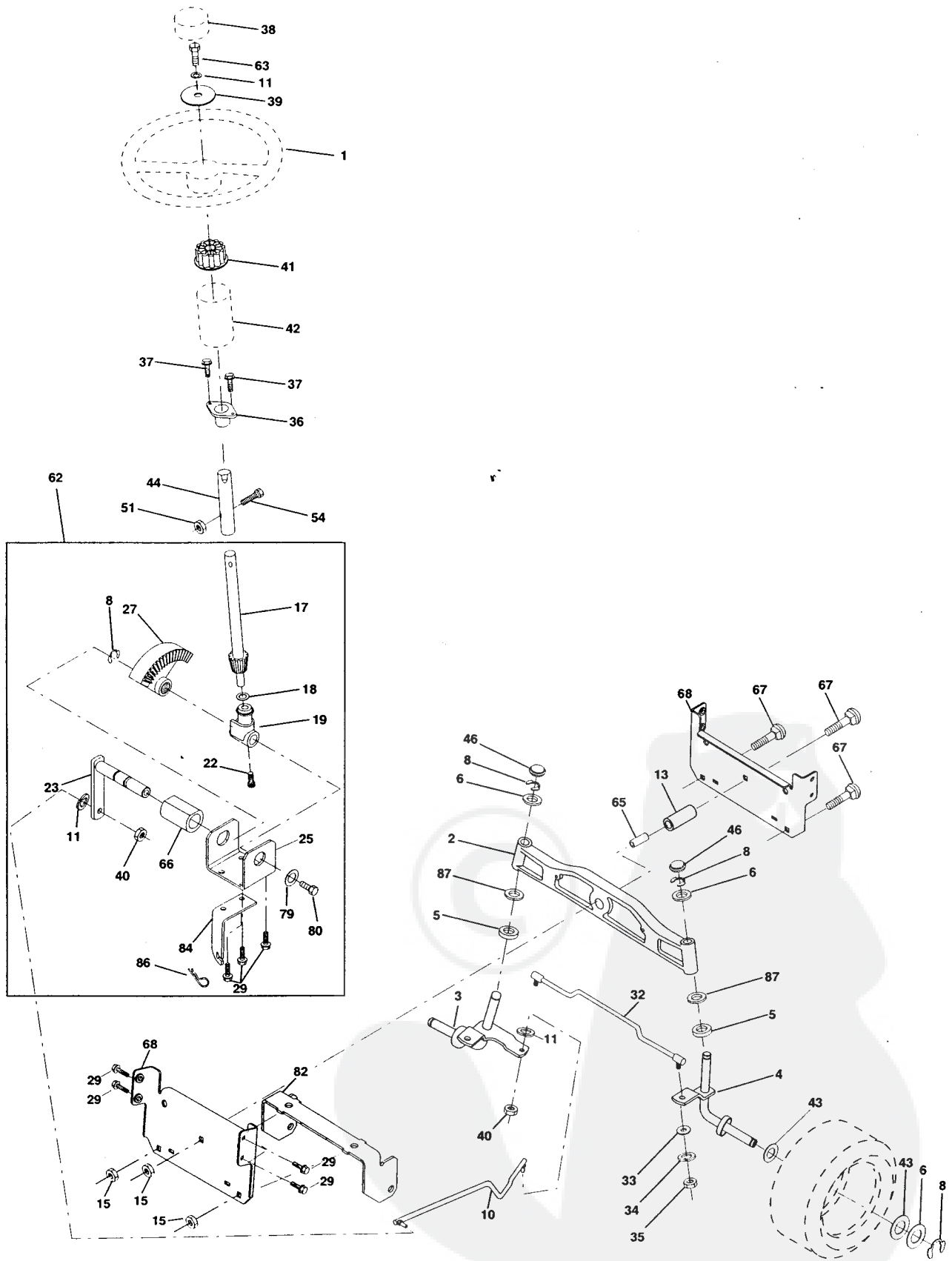
KEY NO.	PART NO.	DESCRIPTION	KEY NO.	PART NO.	DESCRIPTION
1	-----	Transaxle Peerless 206-546 (Order parts from transaxle manufacturer)	66	154778	Keeper, Belt Engine F-Proof
2	146682	Spring Brake Return	74	137057	Spacer Axle
3	165999	Pulley Transaxle	75	121749X	Washer 25/32 x 1-1/4 x 16 Ga.
4	12000028	Ring Retainer #5100-62	76	12000001	Ring, E
5	121520X	Strap torque 30 degrees	77	123583X	Key, Square
6	<b>17060512</b>	Screw 5/16-18 x 3/4	78	121748X	Washer 25/32 x 1-5/8 x 16 Ga.
8	165619	Rod Shift Fender Adjust Lt	79	2228M	Key Woodruff
9	170163	Clutch Asm Noram	80	145090	Arm Shift PMST 20" Tires
10	76020416	Pin, Cotter 1/8 x 1	82	123782X	Spring, Torsion
11	105701X	Washer Plate Shf .3888 sq hole	83	19171216	Washer 17/32 x 3/4 x 16 Ga.
13	74550412	Bolt 1/4-28 Unf Gr 8 w/patch	84	165621	Link Shift CRD Pmst 18" Tires
14	10040400	Washer, Lock Hvy Helical	96	4497H	Spring, Retainer 1"
16	73800500	Nut, Lock Hex w/Ins 5/16-18 UNC	112	19091210	Washer 9/32 x 3/4 x 10 Ga.
18	74780616	Bolt Hex 3/8-16 UNC x 1 Gr.5	120	<b>73900600</b>	Nut Lock Flg 3/8-16 Unc
19	73800600	Nut, Lock Hex w/Wsh 3/8-16 UNC	145	74490540	Bolt Hex FGHD 5/16-18 x Gr 5
21	106933X	Knob Rd 1/2-13 Plstc Thds Blk	144	19111016	Washer 11/32 x 5/8 x 16
22	165811	Rod, Brake CRD	150	165850	Bushing, Bellcrank Grnd Dr
23	170017	Bracket Pnt Clutch Noram	151	19133210	Washer 13/32 x 2 x 10 Ga.
24	73350600	Nut	153	74760516	Bolt Hex Hd 5/16-18 Unc x 1
25	106888X	Spring, Rod, Brake	156	166002	Washer Sred 5/16 ID x 1.125
26	19131316	Washer 13/32 x 13/16 x 16 Ga.	158	165589	Bracket Shift Mount
27	76020412	Pin, Cotter 1/8 x 3/4	159	165494	Hub Tapered Flange Shift Lt
28	145204	Rod, Parking Brake	160	<b>19292016</b>	Washer 29/32 x 1-1/4 x 16 Ga
29	71673	Cap, Parking Brake	161	72140406	Bolt Rdhd Sqnk 1/4-20 x 3/4 Gr 5
30	<b>174973</b>	Bracket, Mfg. Transaxle	162	73680400	Nut Crownlock 1/4-20 Unc
32	74760512	Bolt Hex 5/16-18 UNC x 3/4	163	74780416	Bolt Hex Fin 1/4-20 Unc x 1 Gr 5
33	72140506	Bolt Rdhd Sqnk 5/16-18 Unc x 3/4	164	19091010	Washer 5/8 x .281 x 10 Ga.
34	165496	Shaft, Asm Pedal Foot CRD	165	165623	Bracket Pivot Lever
35	120183X	Bearing, Nylon	166	166880	Screw 5/16-18 x 5/8
36	19211616	Washer 21/32 x 1 x 16 Ga.	167	165588	Bracket Support Shift CRD
37	1572H	Pin, Roll 3/16 x 1"	168	165492	Bolt Shoulder 5/16-18 x .561
38	165936	Pulley, Flat	171	17490608	Screw Thdrol 3/8-16 x 1/2 Ty-Tt
39	<b>74760644</b>	Bolt Fin Hex 3/8-16 Unc x 2-3/4	172	165635	Shaft Asm Shift Front CRD PMST
40	4470J	Spacer, Split 395 x 59 Bzp	177	165932	Keeper Flat Idler 3.06" CRD
42	19131312	Washer 13/32 x 13/16 x 12 Ga.	178	165933	Keeper Belt Idler 1.88" CRD
47	127783	Pulley, Idler, V Groove Plasic	179	120958X	Washer Sintered
48	154407	Bellcrank Clutch Grnd Drv	180	165630	Pulley Flat Idler
49	123205X	Retainer, Belt Style Spring	181	165797	Bracket Idler Ground Drive CRD
50	74760624	Bolt Hex Hd 3/8-16 UNC x 1-1/2	182	165634	Keeper Belt 2.5" Od V-Idler CRD
51	73680600	Nut, Crownlock 3/8-16 UNC	183	165626	Pulley V-Idler 2.50" Od CRD
52	73680500	Nut Crownlock 5/16-18	184	17490644	Screw Hexwsh Thdrol 3/8-16 x 2-3/4
53	105710X	Link, Clutch 7.66	187	17490620	Screw Thdrol 3/8-16 x 1-1/4
55	105709X	Spring, Return, Clutch	197	<b>169613</b>	Nyliner Snap-In 5/8" Id
56	74760620	Bolt, Hex 3/8-16 UNC x 1-1/4	202	72110612	Bolt Carr Sh 3/8-16 x 1-1/2 Gr. 5
57	165631	V-Belt Kev PMST CRD	203	71170780	Bracket Pnt Clutch Noram
61	17060612	Screw 3/8-16 x 3/4			
62	8883R	Cover, Pedal			
65	10040700	Washer			

**NOTE:** All component dimensions given in U.S. inches  
1 inch = 25.4 mm

# REPAIR PARTS

TRACTOR- -MODEL NO. WZ12536RDD

## STEERING ASSEMBLY



# REPAIR PARTS

## TRACTOR- -MODEL NO. WZ12536RDD

### STEERING ASSEMBLY

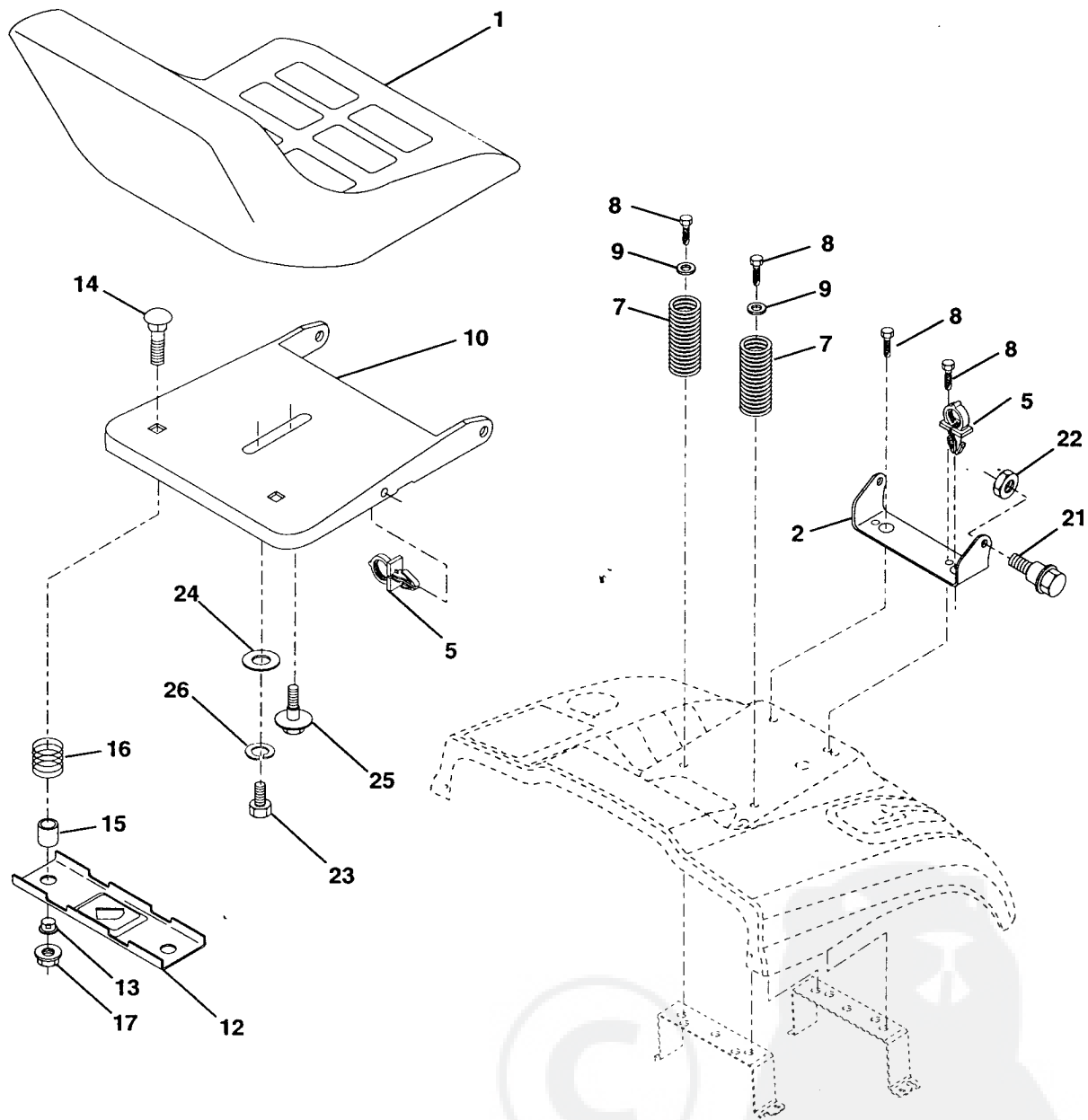
KEY NO.	PART NO.	DESCRIPTION
1	<b>133741X428</b>	Steering Wheel
2	<b>172393</b>	Cast Lt Machined
3	169840	Spindle Assembly, L.H.
4	169839	Spindle Assembly, R.H.
5	6266H	Washer, Thrust .75 x 1.230
6	121748X	Washer 25/32 x 1-5/8 x 16 Gauge
8	12000029	Ring, Klip
10	169832	Link, Drag
11	10040600	Washer, Lock
13	136518	Spacer Brg Axle Front
15	145212	Nut, Hex Flange Lock
17	156546	Shaft Assembly, Steering
18	57079	Washer, Thrust .515 x .750 x .033
19	160395	Support, Shaft
22	165857	Screw Hex Wshhd Torx
23	165851	Pittman Shaft Assembly
25	154406	Bracket, Steering
27	136874	Gear, Sactor
29	17060612	Screw 3/8-16 x 3/4
32	170162	Rod, Tie
33	19111216	Washer 11/32 x 3/4 x 16 Ga
34	10040500	Washer Lock Hvy Hlcl Spr 5/16
35	<b>73540500</b>	Crownlock Nut 5/16-24 Unf
36	155099	Bushing, Steering
37	152927	Screw TT #10-32 x 5 x 3/8 Flange
38	<b>133742X428</b>	Cap Wheel Steering
39	19133812	Washer 13/32 x 2-3/8 x 12 Gauge
40	7810H	Nut Lock Center 3/8-24 Unf
41	100711L	Adaptor, Steering Wheel
42	145054X428	Boot, Steering Dash P/L Mtl
43	121749X	Washer 25/32 x 1-1/4 x 16 Gauge
44	153720	Extension Steering Non-Adjust
46	121232X	Cap, Spindle
51	<b>73800500</b>	Nut Lock Hx W/Ins 5/16-18 UNC
54	74780520	Bolt Fin Hex 5/16-18 UNC x 1-1/4
62	<b>167914</b>	Kit, Steering Assembly, Service
63	74780616	Bolt Fin Hex 3/8-16 unc. x 1 Gr. 5
65	160367	Spacer Brace Axle
66	154404	Bearing Arm Pittman
67	72140618	Bolt Rdhd Sqnk 3/8-16unc x 2-1/4
68	169827	Brace Axle
79	19132012	Washer 13/32 x 1-1/4 x 12 Ga
80	74950612	Bolt Hex Nylon 3/8-16 x 3/4
82	169835	Bracket Susp Chassis Front 15"
84	170016	Bracket Cable Clutch Chassis
86	165898	Retainer Spring
87	<b>173966</b>	Washer Flat .781 x 1-12 x .14

**NOTE:** All component dimensions given in U.S. inches.  
1 inch = 25.4 mm.

# REPAIR PARTS

TRACTOR- -MODEL NO. WZ12536RDD

## SEAT ASSEMBLY



KEY NO.	PART NO.	DESCRIPTION
1	127427	Seat
2	140551	Bracket Pnt Pivot Seat (blk )
5	145006	Clip Push In Hinged
7	124181X	Spring Seat Cprsn 2 250 Blk Zi
8	17000616	Screw 3/8-16 X 1-1/2
9	19131614	Washer 13/32 X 1 X 14 Ga
10	<b>174894</b>	Pan Pnt Seat (blk )
12	121246X	Bracket Pnt Mounting Switch
13	121248X	Bushing Snap Blk Nyl 50 Id
14	72050412	Bolt Rdhd Sht Nk 1/4-20x1-1/2

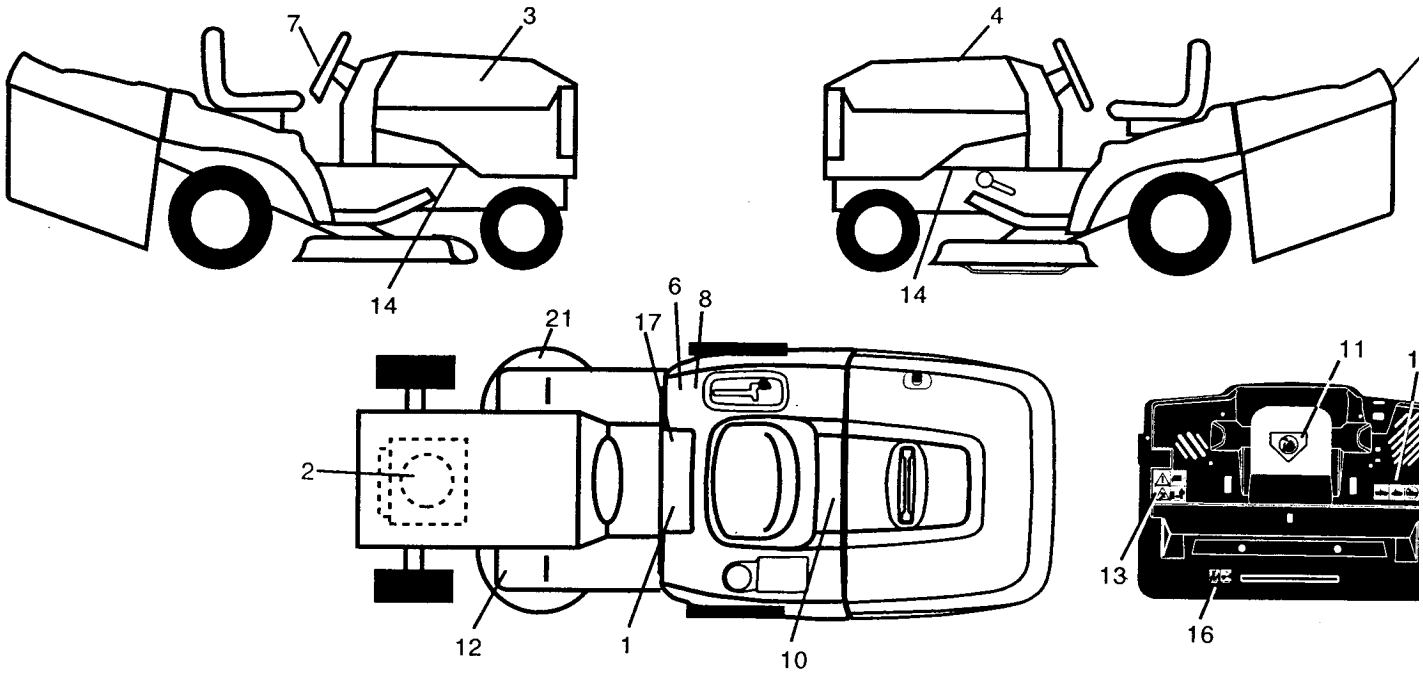
KEY NO.	PART NO.	DESCRIPTION
15	134300	Spacer Split
16	121250X	Spring Cprsn Plate SW 1.310 Ga
17	123976X	Nut Lock 1/4 Lge Flg Gr 5 Zinc
21	171852	Bolt Shoulder 5/16-18 Unc-2A
22	73800500	Nut Hex Lock w/Ins 5/16-18
23	<b>71110814</b>	Bolt Hex Black
24	19171912	Washer 17/32 X 1-3/16 X 12 Ga.
25	127018X	Bolt Shoulder 5/16-18 X 62
26	10040800	Washer Lock Hvy Hlcl Spr 1/2

**NOTE:** All component dimensions given in U.S. inches.  
1 inch = 25.4 mm

# REPAIR PARTS

## TRACTOR- -MODEL NO. WZ12536RDD

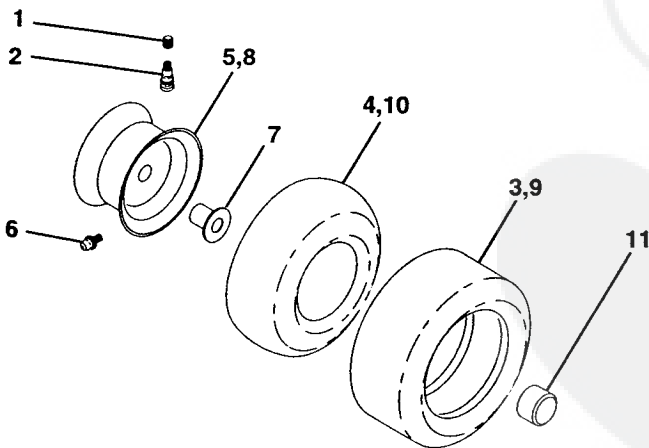
### DECALS



KEY NO.	PART NO.	DESCRIPTION
1	145498	Decal Read Owner's Manual Sym
2	170839	Decal Hp Engine
3	167337	Decal Hood Rh
4	167338	Decal Hood Lh
6	126187X	Decal 100 DBA
7	163770	Decal Ins Strg Whl
8	145437	Decal Europe Stand Ce
9	163769	Decal Fender Logo
10	145005	Decal Bat Dan/Poi P/L Sym Wpn
11	145494	Decal Mower Cut Finger Symbol
12	159737	Decal Brake/Clutch Symbol Lt

KEY NO.	PART NO.	DESCRIPTION
13	166959	Decal Warn Back Plate CRD
14	159736	Decal Chassis Hot Muffler
15	166961	Decal Oper Bag Presence CRD
16	162598	Decal Drawbar Load Limit
17	140837	Decal Saddle Brake Parking
21	166286	Decal Deck Sch 92 CRD
--	<b>133671</b>	Pad Footrest
--	138311	Decal Lift Handle
--	<b>176119</b>	Manual Operator's (Euro)
--	<b>176120</b>	Manual Operator's (Scan)
--	<b>176121</b>	Manual Parts

### WHEELS & TIRES



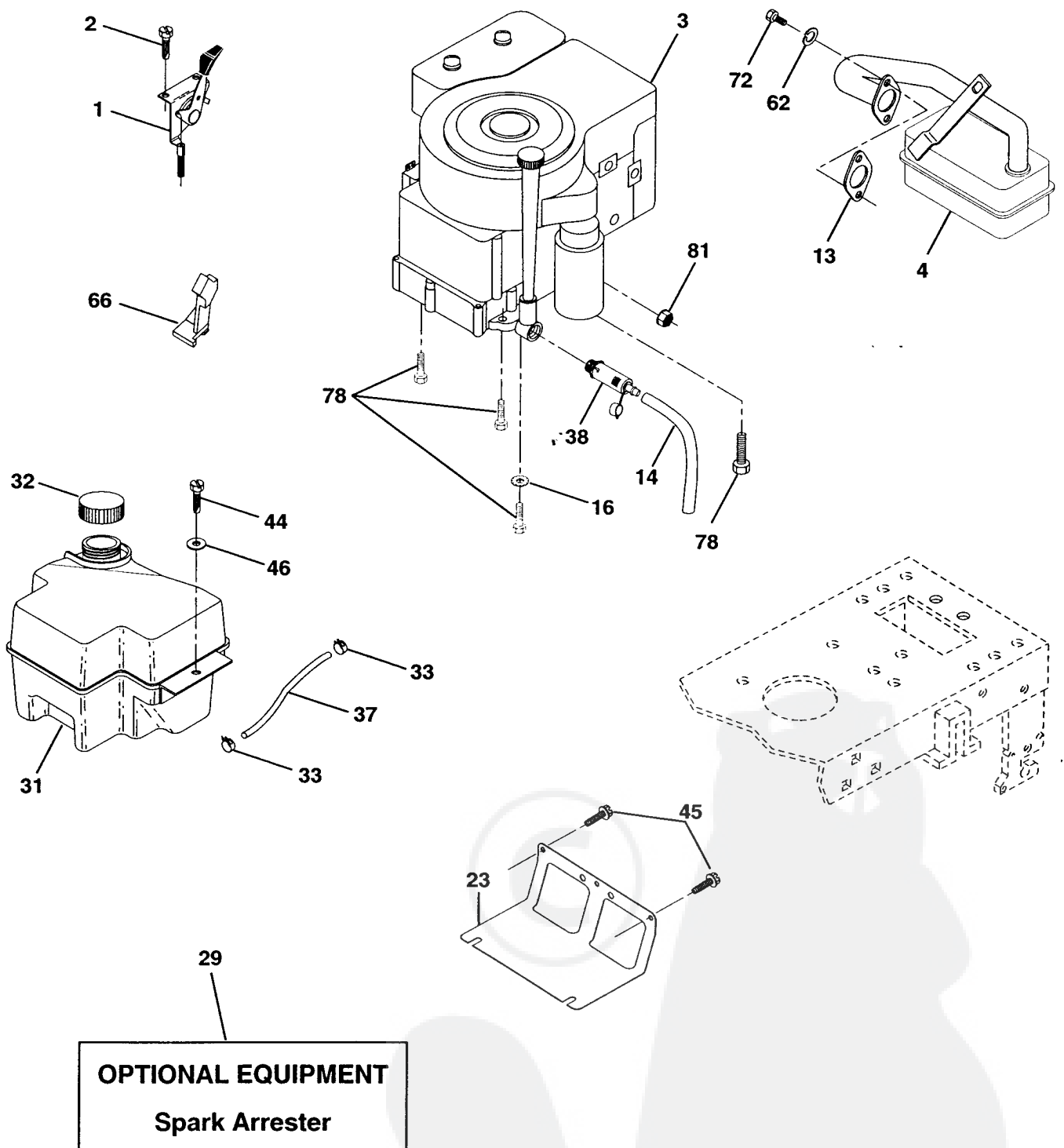
KEY NO.	PART NO.	DESCRIPTION
1	59192	Cap Value Tire
2	65139	Stem Value
3	106222X	Tire F Ts 15 X 6 0 - 6 Service
4	59904	Tube Inner Front #35060
5	106732X427	Rim Asm 6" front Service
6	278H	Fitting Grease
7	9040H	Bearing Flange
8	106108X427	Rim Asm 8" rear Service
9	124635X	Tire R Ts 18 x 8.5-8 Service
10	7152J	Tube Rear 9 5 X 8 Service
11	<b>104757X428</b>	Cap Axle Blk 1 50 X 1 00
--	144334	Sealant, Tire (10 oz. tube)

**NOTE:** All component dimensions given in U.S. inches  
1 inch = 25.4 mm

# REPAIR PARTS

TRACTOR- -MODEL NO. WZ12536RDD

## ENGINE



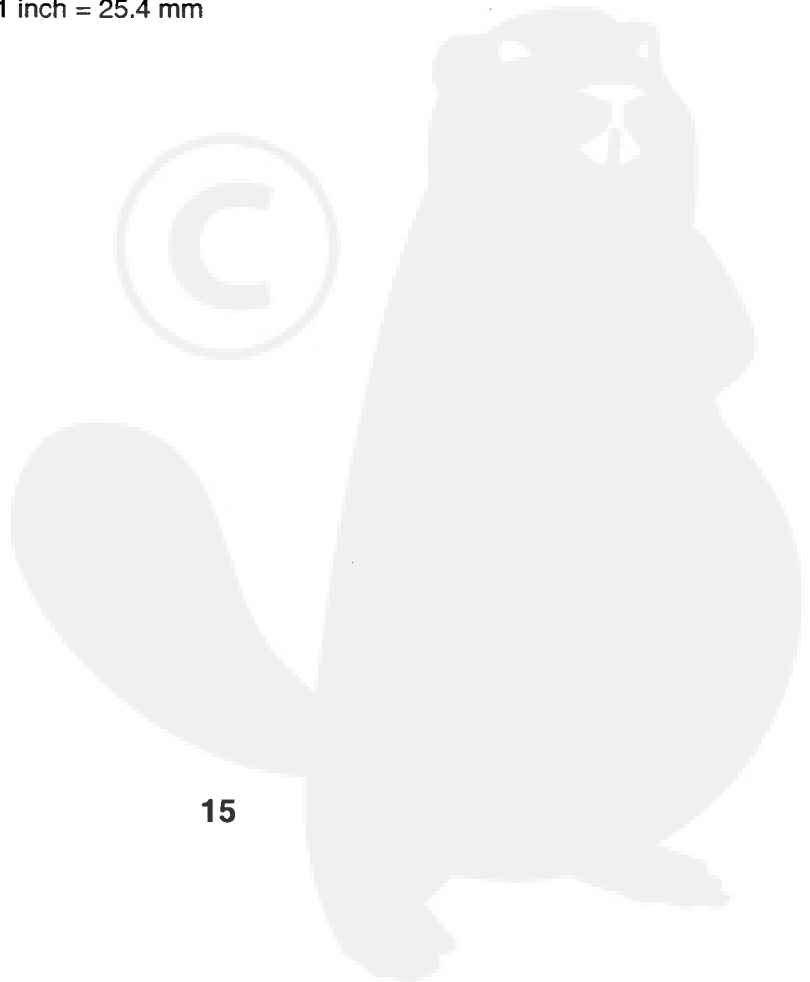
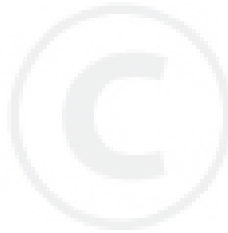
# REPAIR PARTS

## TRACTOR- -MODEL NO. WZ12536RDD

### ENGINE

KEY NO.	PART NO.	DESCRIPTION
1	<b>170865</b>	Control Throt/Ch
2	17720410	Screw Hex Thd Cut 1/4-20x5/8 T
3	-----	Engine Briggs Model 289707 (Order Parts from Engine Manufacturer)
4	137348	Muffler Exhaust B&S Lt
13	165291	Gasket 1 313 Id Tin Plated
14	<b>148456</b>	Tube Drain Oil Easy
16	11050600	Washer Lock Ext Tooth 3/8
23	169837	Shield Browning/Debris Guard
29	137180	Arrestor Spark
31	<b>174642</b>	Tank Fuel 2.00 Fr
32	140527	Cap Asm Fule Top Vent N/Lany
33	123487X	Clamp Hose Blk
37	137040	Line Fuel 20"
38	<b>148315</b>	Plug Drain Oil Easy
44	17670412	Screw Hexwsh Thdrol 1/4-20 x 3/4
45	17000612	Screw Hexwsh Thdr 3/8-16 x 3/4
46	19091416	Washer 9/32 X 7/8 X 16ga
62	10040500	Washer Lock Hvy Hlcl Spr 5/16
66	127951	Stop Throttle 3000 Rpm
72	71070512	Screw Hexhd Cap 5/16-18 x 3/4
78	17060620	Screw 3/8-16x1-1/4
81	73510400	Nut Keps Hex 1/4-20 Unc

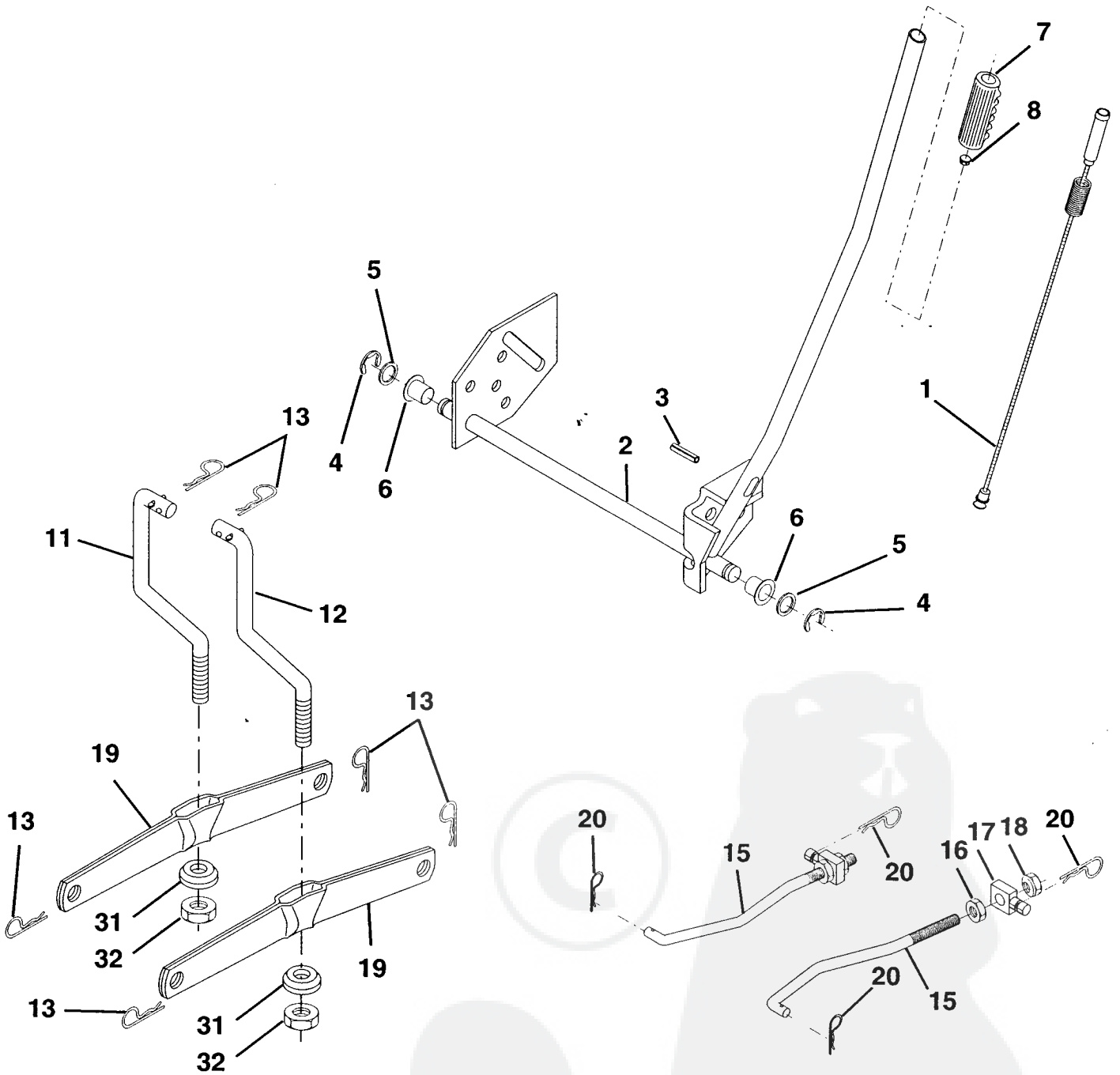
**NOTE:** All component dimensions given in U.S. inches  
1 inch = 25.4 mm



# REPAIR PARTS

TRACTOR- -MODEL NO. WZ12536RDD

MOWER LIFT





# REPAIR PARTS

TRACTOR- -MODEL NO. WZ12536RDD

## MOWER LIFT

KEY NO.	PART NO.	DESCRIPTION
1	159460	Washer Asm Inner Spring W/Plunger
2	159471	Shaft Asm. Lift
3	105767X	Pin Groove
4	12000002	E Ring #5133-62
5	19211621	Washer 21/32 x 1 x 21 Ga.
6	120183X	Bearing Nylon
7	109413X	Grip Handle
8	124526X	Button Plunger Black
11	165829	Link Asm Lift L.H.
12	165831	Link Asm Lift R.H.
13	4939M	Retainer Spring
15	<b>173288</b>	Link Front
16	73350800	Nut Jam Hex 1/2-13 Unc
17	130171	Trunnion Blk Zinc
18	73800800	Nut Lock w/Wsh 1/2-13 Unc
19	139868	Arm Suspension Mower
20	163552	Retainer Spring
31	<b>169865</b>	Bearing, Pvt. Lift.
32	73540600	Nut Crownlock 3/8-24

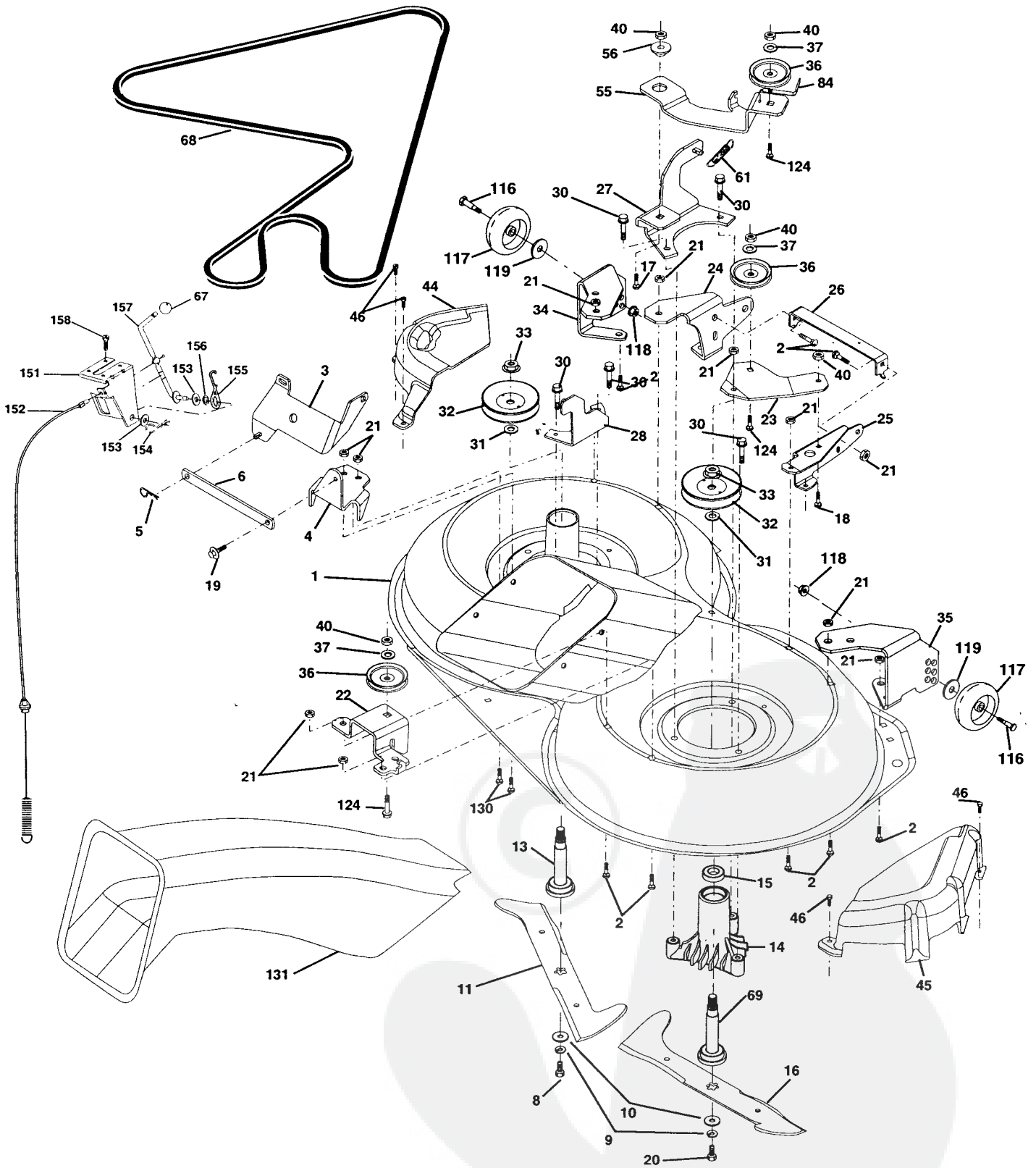
**NOTE:** All component dimensions given in U.S. inches  
1 inch = 25.4 mm



# REPAIR PARTS

TRACTOR- -MODEL NO. WZ12536RDD

MOWER



# REPAIR PARTS

## TRACTOR- -MODEL NO. WZ12536RDD

### MOWER

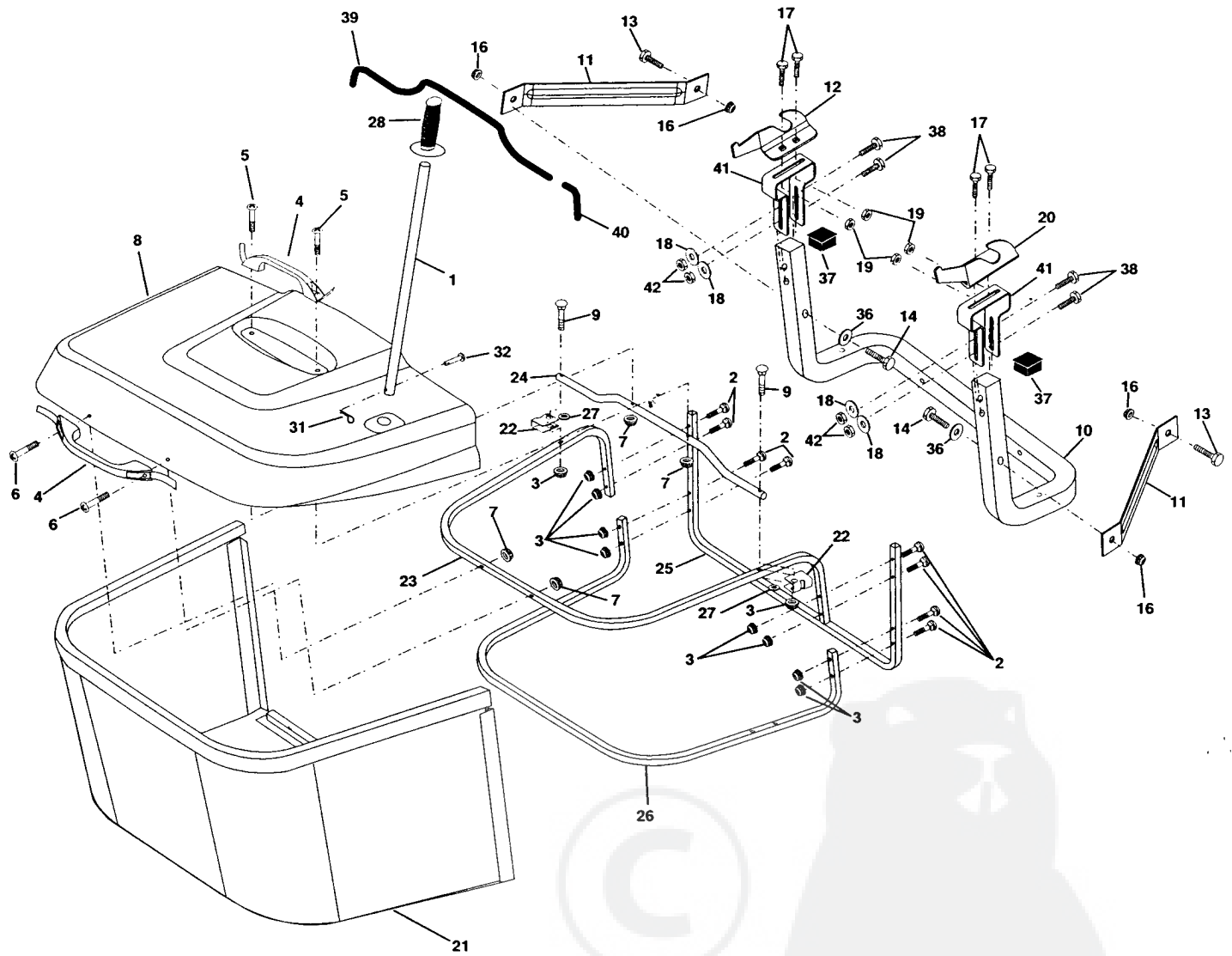
KEY NO.	PART NO.	DESCRIPTION	KEY NO.	PART NO.	DESCRIPTION
1	165552	Housing Asm. Mower 92 CRD	37	19131316	Washer 11/32 x 13/16 x 16 Ga
2	72140506	Bolt Rdhd Sqnk 5/16-18 Unc x 3/4	40	73680600	Nut Crownlock 3/8-16 Unc
3	165569	Bracket Asm. S-Bar Chass 92 CRD	44	165724	Cover Mandrel Lh 92 CRD
4	165558	Bracket Bar Sway Deck 92 CRD	45	165556	Cover Mandrel Rh 92 CRD
5	4939M	Retainer Spring	46	137729	Screw Thd Roll 1/4-20 x 5/8
6	165557	Bar Sway 92 CRD	55	165445	Arm Idler 92 CRD
8	850857	Bolt 3/8-24 x 1.25 Gr8 Patched	56	165723	Spacer Retainer Mower
9	10030600	Washer Lock Hvy 3/8 Unplated	61	165945	Spring Tension Belt
10	140296	Washer Hard Blade Mower vented	67	106932X	Knob Rd 3/8-16 Plstdc Thds Blk
11	170037	Blade 3-1 Lh 92 CRD	68	165555	Hex-Belt 92 Mower 105AA
13	137645	Shaft Asm. W/Lower Bearing	69	165482	Shaft Asm W/Lwr Brg Rh Thd CRD
14	128774	Housing Mandrel Vented (Machd)	84	156085	Keeper Belt Idler
15	110485X	Bearing Ball Mandrel	116	137644	Bolt Shoulder
16	170038	Blade 3-1 Rh 92 CRD	117	133957	Wheel Gage Donut Wide
17	72140610	Bolt Carriage 3/8-16 x 1-1/4	118	73930600	Nut Centerlock 3/8-16 Unc
18	72110608	Bolt Rdhd Sqnk 3/8-16 x 1 Gr5	119	19121414	Washer 3/8 x 7/8 x 14 Ga.
19	132827	Bolt Shoulder 5/16-18 Thd Form	124	72110612	Bolt Carr Sh 3/8-16 x 1-1/2 Gr5
20	165484	Bolt 3/8-24 x 1.25 Gr8 Ptch Lhthd	130	72110506	Bolt Rdhdsqnk 5/16-18 Unc x 3/4
21	73680500	Nut Crown Lock 5/16-18	131	165661	Chute Bagger CRD 92cm
22	165243	Bracket Idler Sprt RR 92 CRD	151	169670	Bracket Clutch Cable
23	165446	Bracket Idler Sprt RF 92 CRD	152	176074	Cable Clutch CRD Service
24	165242	Bracket Suspension LF 92 CRD	153	169674	Washer Flat 3/8" Type B
25	165244	Bracket Suspension RF 92 CRD	154	169675	Spring Retainer
26	165237	Brace Support Susp Frt CRD	155	169671	Spring Retention Lvr Clutch Cable
27	165568	Bracket Asm. Susp RR 92 CRD	156	169672	Spacer Clutch Cable
28	165567	Bracket Asm. Susp LR 92 CRD	157	169669	Rod Clutch Cable 3/8"
30	157722	Screw Thd Rolling Washer Head	158	17720410	Screw Hex Thd Cut 1/4-20 x 5/8
31	129963	Washer Spacer Mower Vented	-	130794	Mandrel Asm Service
32	153531	Mandrel Pulleys 36 & 46	-	165579	Mandrel Asm CRD Lh Threads SVC
33	137266	Nut Flg Top Lock Cntr B 9/16	-	173549	Deck Mower Complete
34	165239	Bracket Gauge Wheel Lf 92 CRD			
35	165238	Bracket Gauge Wheel Rf 92 CRD			
36	146763	Pulley Idler V-Groove Dim 4.25			

**NOTE:** All component dimensions given in U.S. inches  
1 inch = 25.4 mm

# REPAIR PARTS

TRACTOR- -MODEL NO. WZ12536RDD

BAGGER



# REPAIR PARTS

TRACTOR- -MODEL NO. WZ12536RDD

BAGGER

KEY NO.	PART NO.	DESCRIPTION
1	<b>170690</b>	Tube Handle Bagger CRD
2	72140416	Bolt Carriage 1/4-20 x 2.0 Gr.5
3	123976X	Nut Lock 1/4 Lge Flg Gr. 5 Zinc
4	169916	Handle Bagger w/Lvrs Blk CRD
5	74981024	Screw Pan Head #10-24 x 1.50 Blk
6	74981032	Screw Pan Hd
7	73401000	Nut Wiz Lock Hex Serr/Hd 10-24
8	165715X505	Cover Bagger Plastic CRD
9	72140418	Bolt Carriage 1/4-20 x 2.25d x Gr.5
10	169688	Tube Support Bagger CRD
11	165719	Bracket Support Upper Bag CRD
12	169685	Bracket Horizon Adj Bggr Lh CRD
13	72110606	Bolt Rdhd Sht Sqnk 3/8-16 x 3/4
14	74520640	Bolt Hex 3/8-16 x 2-1/2 Gr.5
16	73900600	Nut Lock Flg 3/8-16 Unc
17	72140506	Bolt Rdhd Sht Sqnk 5/16 -18 Unc x 3/4
18	<b>19111216</b>	Washer 11/32 x 3/4 x 16 Ga
19	73900500	Nut Lock Hex Flange 5/16-18
20	169684	Bracket Horiz Adj Bggr RH CRD
21	165780	Bag Asm CRD
22	165781	Bracket Side Bagger CRD
23	165782	Tube Upper Bagger CRD
24	165783	Tube Pivot Bagger CRD
25	165784	Tube Front Bagger CRD
26	165785	Tube Lower Bagger CRD
27	169692	Bushing Snap Bagger CRD
28	<b>170696</b>	Grip Handle Black
31	4497H	Retainer Spring 1" Zinc/Cad
32	126875X	Rivet Rd Hd Drilled 3/8 Dia
36	19132016	Washer 13/32 x 1-1/4 x 16 Ga.
37	<b>175401</b>	Plug Support Bagger CRD
38	72010520	Bolt 5/16-18 x 2-1/2
39	169999	Seal 26" (Long)
40	170000	Seal 7" (Short)
41	169683	Bracket Vert Adj Bagger CRD
42	<b>73800500</b>	Nut Lock Hx W/Ins 5/16-18 Unc

**NOTE:** All component dimensions given in U.S. inches  
1 inch = 25.4 mm