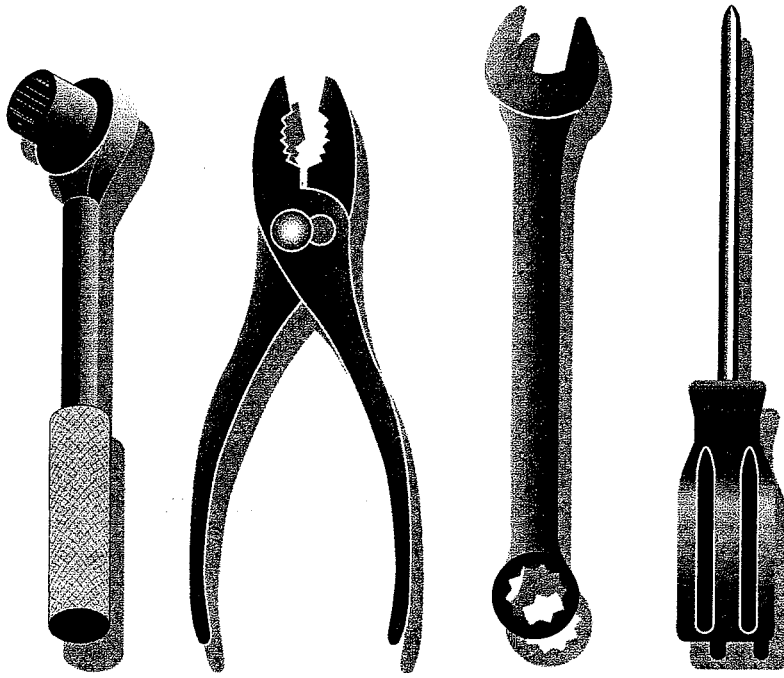


Do Not Remove



## REPAIR PARTS MANUAL

MODEL NO. RE12C36E

Lawn Tractor

FILE COPY

---

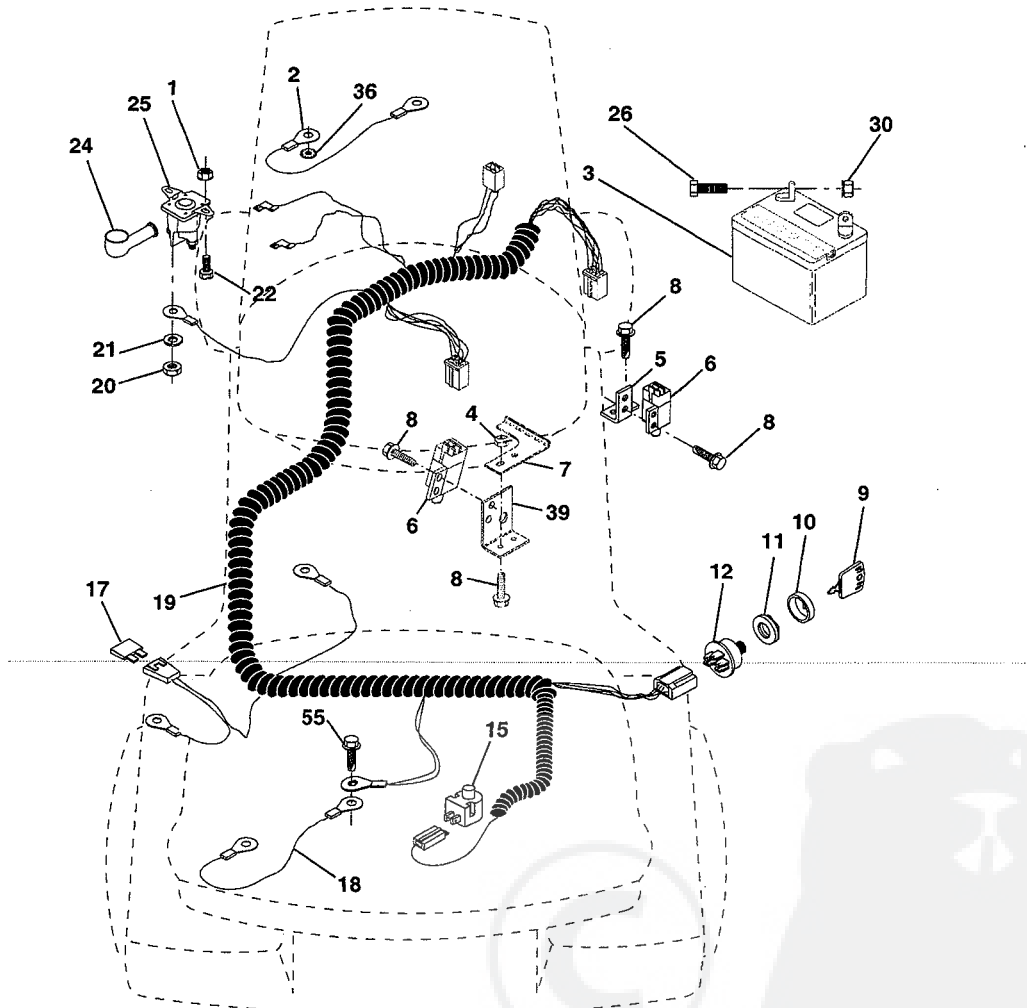
# Rally

173606 01.13.00 RD  
PRINTED IN U.S.A.

# REPAIR PARTS

TRACTOR - MODEL NUMBER RE12C36E

ELECTRICAL



## REPAIR PARTS

TRACTOR - MODEL NUMBER RE12C36E

### ELECTRICAL

KEY NO.	PART NO.	DESCRIPTION
1	73640400	Nut, Hex Keps 1/4-20
2	108423X	Assembly, Cable
3	144924	Battery
4	69180	Nut, Lock #10-24 UNC
5	108236X	Bracket, Switch
6	109553X	Switch, Interlock (4-terminal)
7	146374	Keeper Actuator
8	17021008	Screw, Hex Hd. Tap #10-24 x 1/2
9	140401	Key, Steel Delta
10	141226	Cover, Key Ignition
11	140400	Nut, Ignition
12	163088	Switch, Ignition
15	121305X	Switch, Plunger
17	166180	Fuse
18	128353	Assembly, Cable
19	170206	Harness, Ignition
20	73350400	Nut, Hex Jam 1/4-20
21	10090400	Washer, Lock 1/4
22	71110408	Bolt, Fin. Hex 1/4-20 UNC x 1/2 Gr. 5
24	131563	Cover, Terminal
25	145673	Solenoid
26	74760412	Bolt, Hex Hd. 1/4-20 UNC x 3/4
30	73510400	Nut, Keps, Hex 1/4-20 UNC
36	11150400	Washer Lock Inter. Tooth 1/4
39	141735	Bracket Switch Clutch
55	17490508	Screw Thdrol 5/1-18 x 1/2

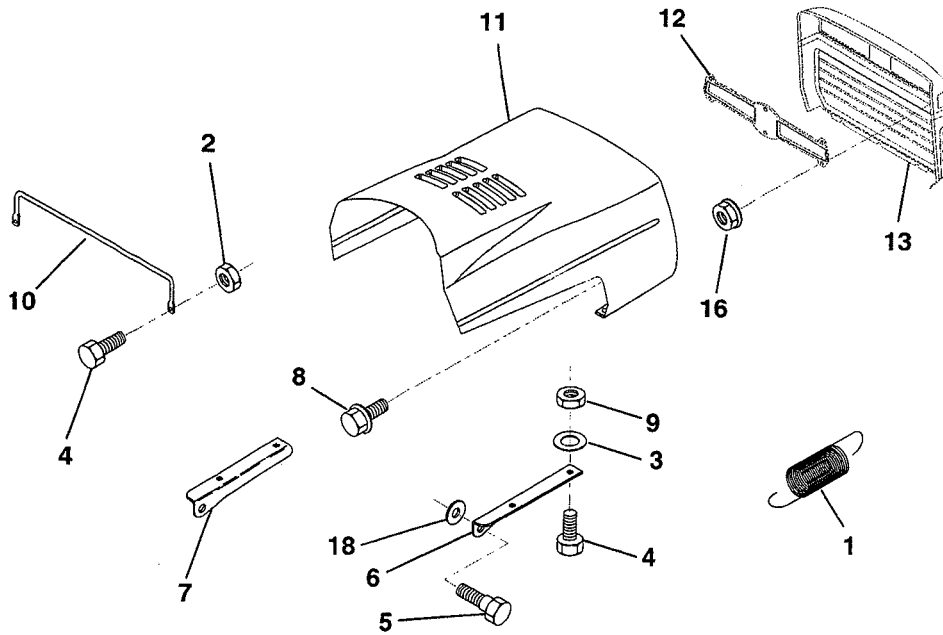
**NOTE:** All component dimensions given in U.S. inches.  
1 inch = 25.4 mm

HARDWARE SHOWN LARGER FOR EASIER IDENTIFICATION

# REPAIR PARTS

TRACTOR - MODEL NUMBER RE12C36E

## HOOD



KEY NO.	PART NO.	DESCRIPTION
1	124657X	Extension, Spring
2	73510400	Nut, Hex, Keps 1/4-20
3	19091416	Washer, 9/32 x 7/8 x 16 Ga.
4	74780412	Bolt, Hex Fin 1/4-20 x 3/4 Gr. 5
5	139888	Bolt, Shoulder
6	122549X	Bracket, Hood R. H.
7	122548X	Bracket, Hood L.H.
8	164863	Screw, HWHD, Hi-Lo #13-16 x 3/4
9	73800400	Nut Lock W/Insert 1/4-20 UNC

KEY NO.	PART NO.	DESCRIPTION
10	123693X	Brace, Hood
11	132918X505	Hood
12	127178	Lens Clear Bar Dual LR P/L
13	134232X428	Grill
16	124346X	Nut Self-Thd. Wsh-Hd 1/4
18	19111116	Washer 11/32 x 11/16 x 16 Ga.

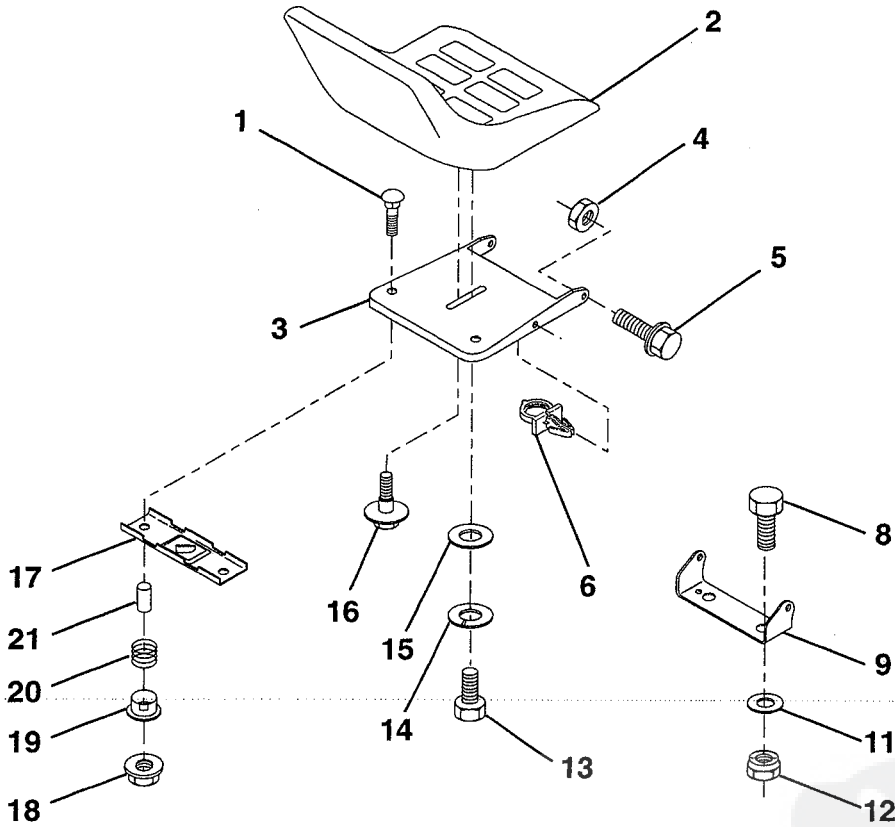
NOTE: All component dimensions given in U.S. inches.  
1 inch = 25.4 mm

HARDWARE SHOWN LARGER FOR EASIER IDENTIFICATION

# REPAIR PARTS

TRACTOR - MODEL NUMBER RE12C36E

SEAT



KEY NO.	PART NO.	DESCRIPTION
1	72050412	Bolt, Carriage 1/4-20 x 1-3/8
2	127426X	Seat
3	155925	Pan, Seat
4	73800500	Nut, Lock Hex W/Ins 5/16-18
5	171852	Bolt, Shoulder 5/16-18 UNC
6	145006	Clip, Push-in
8	74760616	Bolt, Hex, Fin 3/8-16 UNC x 1
9	140551	Bracket, Pivot, Seat
11	19133210	Washer 13/32 x 2 x 10 Gauge
12	73800600	Nut, Lock Hex W/Wsh 3/8-16
13	74780814	Bolt, Fin Hex 1/2 - 13 x 7/8 Gr. 5

KEY NO.	PART NO.	DESCRIPTION
14	10040800	Washer Lock Hvy HLCL Spr. 1/2
15	19171912	Washer 17/32 x 13/16 x 12 Gauge
16	127018X	Bolt, Shoulder
17	121246X	Bracket, Switch, Mounting
18	123976X	Locknut, Hex, Large, Flange
19	121248X	Bushing, Snap
20	121250X	Spring, Compression
21	134300	Spacer, Split, Large .28 Id. x .96

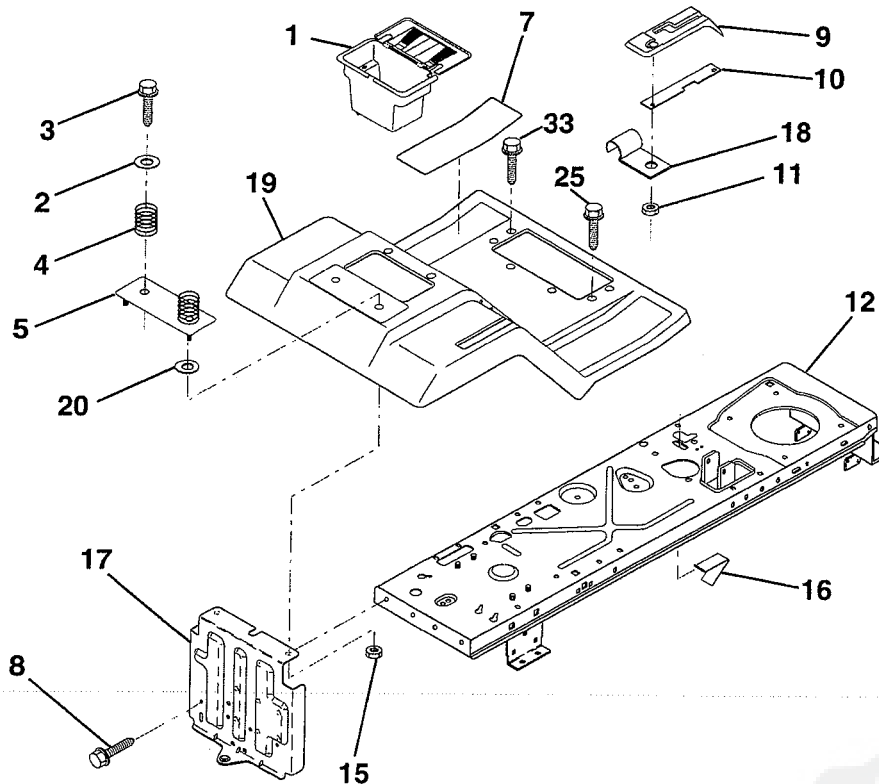
NOTE: All component dimensions given in U.S. inches.  
1 inch = 25.4 mm

HARDWARE SHOWN LARGER FOR EASIER IDENTIFICATION

# REPAIR PARTS

TRACTOR - MODEL NUMBER RE12C36E

FENDER / CHASSIS



KEY NO.	PART NO.	DESCRIPTION	KEY NO.	PART NO.	DESCRIPTION
1	156417	Case, Battery	11	124346X	Nut, Self-Threading 3/16
2	19132012	Washer 13/32 x 1-1/4 x 12 Gauge	12	145190	Assembly, Frame
3	17490612	Screw, Hex Washer Head, Thd. Roll. 3/8-16 x 3/4	15	73640400	Nut, Lock Hex W/Ins. 5/16-18
4	124181X	Spring, Compression, Seat	16	141736	Actuator, Switch
5	127115X505	Plate, Battery	17	140782	Drawbar
7	124144X	Pad, Footrest	18	126470X	Clip, Insulated
8	17060512	Screw, Hex Washer Head, Thd. Roll. 5/16-18 x 3/4	19	140955X505	Fender/Footrest
9	126997X428	Console, Shift Control	20	19091413	Washer 9/32 x 7/8 x 13 Gauge
10	139783	Bar, Shift Lock	25	17060514	Screw Tapping 1
			33	17190516	Screw Hex Wsh Thdrol 5/16-18 x 1

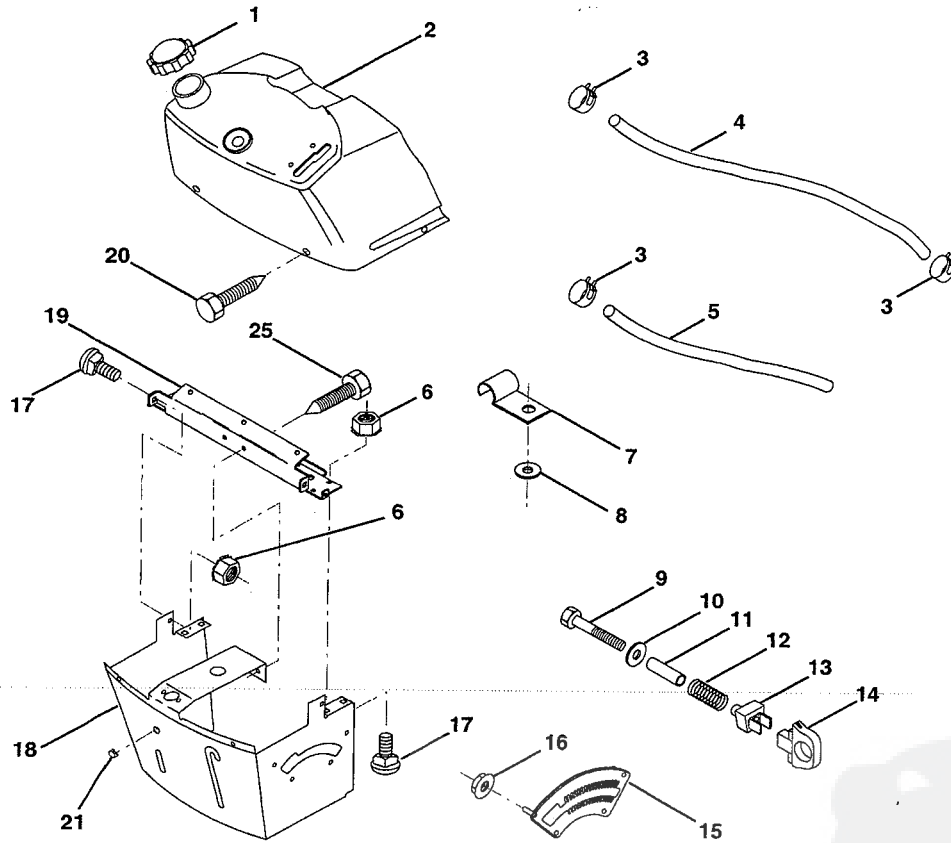
NOTE: All component dimensions given in U.S. inches.  
1 inch = 25.4 mm

HARDWARE SHOWN LARGER FOR EASIER IDENTIFICATION

# REPAIR PARTS

## TRACTOR - MODEL NUMBER RE12C36E

### DASHBOARD



KEY NO.	PART NO.	DESCRIPTION
1	141523	Cap, Fuel
2	138393	Assembly, Dash & Fuel Tank
3	123487X	Clamp, Hose
4	8544R	Line, Fuel
5	8548R	Line, Fuel
6	73640400	Nut, Hex, Keps 1/4-20
7	2751R	Clip, Fuel Line
8	19091216	Washer 9/32 x 3/4 x 16 Gauge
9	74760428	Bolt, Hex, Fin. 1/4-20 x 1-3/4
10	19091413	Washer 11/32 x 11/16 x 16 Gauge
11	121249X	Spacer, Split

KEY NO.	PART NO.	DESCRIPTION
12	3720R	Spring
13	126450X	Clip, Height Adjustment
14	126115X	Knob, Height Stop
15	122023X	Adjustment, Quadrant Height
16	124346X	Nut, Self-Threading 3/16-18
17	72110404	Bolt, Carriage 1/4-20 x 1/2 Grade 5
18	130745	Support Assembly, Dash
19	134744	Brace, Cross
20	17060408	Screw, Self-Tapping 1/4-20 x 1/2
21	134014	Plug, Dome
25	17720410	Screw Hex Thd. Cut. 1/2-20 x 5/8

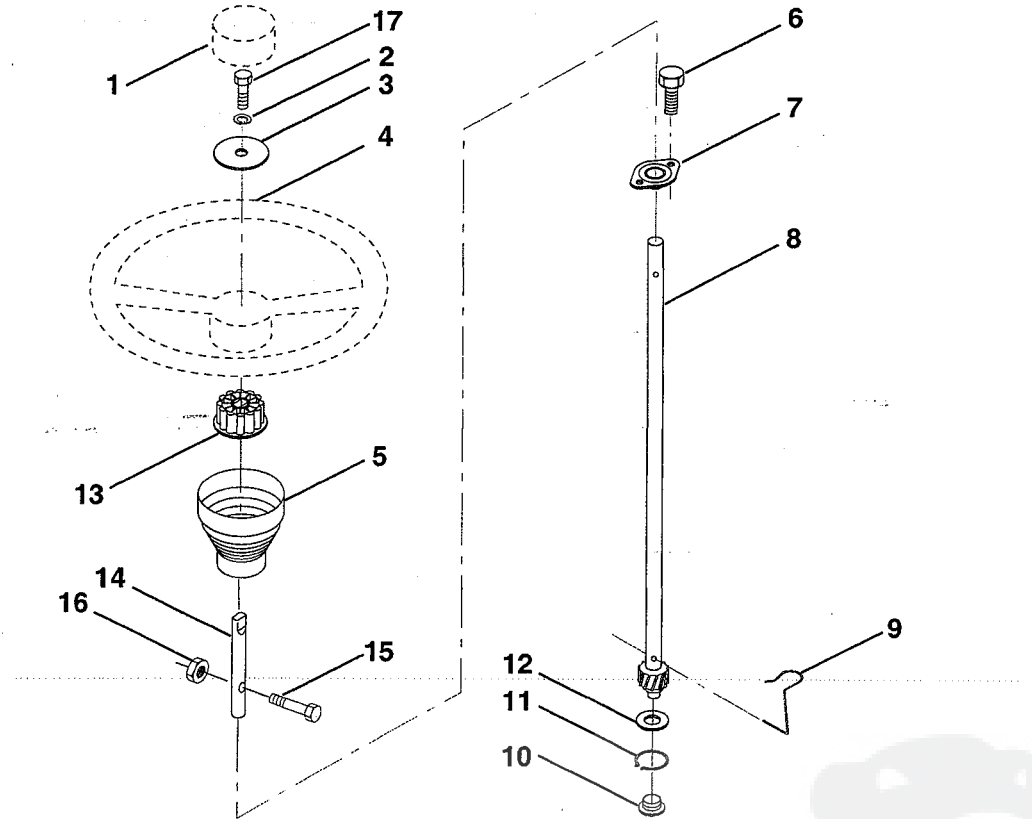
NOTE: All component dimensions given in U.S. inches.  
1 inch = 25.4 mm

HARDWARE SHOWN LARGER FOR EASIER IDENTIFICATION

# REPAIR PARTS

## TRACTOR - MODEL NUMBER RE12C36E

### STEERING WHEEL



KEY NO.	PART NO.	DESCRIPTION
1	133742	Insert, Steering Wheel
2	10040600	Washer Lock Hvy Hcl
3	19133812	Washer 13/32 x 2-3/8 x 12 Ga.
4	133741	Wheel, Steering
5	121897X	Sleeve, Steering
6	152927	Screw, TT #10-32 5 3/8 Flange
7	155104	Bushing, Steering
8	147391	Shaft, Steering
9	124210X	Clip, Steering
10	123438X	Bushing, Lower, Steering

KEY NO.	PART NO.	DESCRIPTION
11	12000045	Ring, Retaining
12	19211616	Washer 21/32 x 1 x 16 Ga.
13	100711L	Adaptor, Steering Wheel
14	153720	Extension, Shaft, Steering
15	74780520	Bolt, Fin, Hex 5/16-18unc x 1-1/4
16	73800500	Nut, Lock Hex W/Ins 5/16-18 UNC
17	74780616	Bolt, Fin Hex 3/8-16 UNC x 1

NOTE: All component dimensions given in U.S. inches 1 inch = 25.4 mm

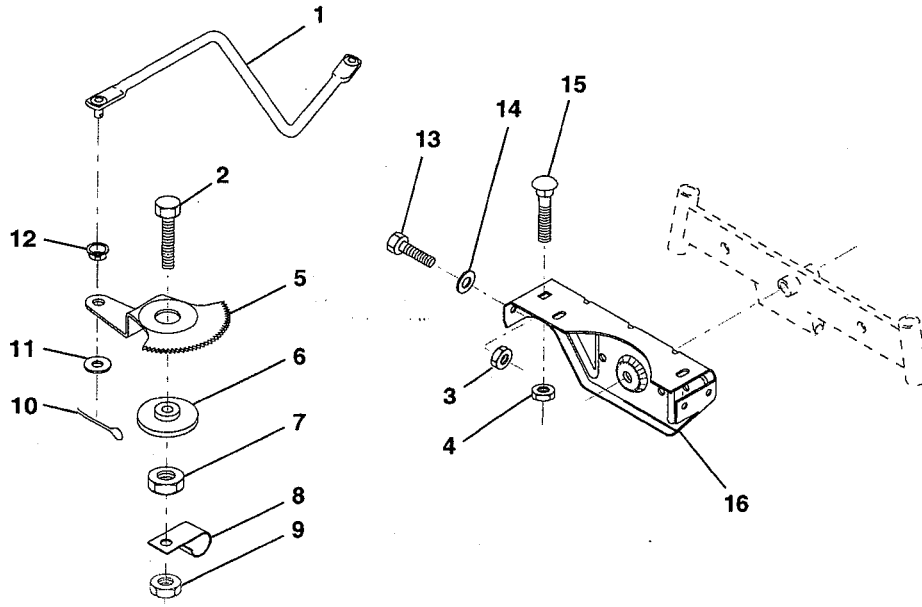
HARDWARE SHOWN LARGER FOR EASIER IDENTIFICATION



## REPAIR PARTS

TRACTOR - MODEL NUMBER RE12C36E

### SECTOR GEAR / AXLE SUPPORT



KEY NO.	PART NO.	DESCRIPTION
1	132566	Link, Drag
2	74780828	Bolt, Hex, Fin 1/2-13 x 1-3/4
3	73680500	Nut, Hex, Crownlock 5/16-18
4	73680600	Nut, Hex, Crownlock 3/8-16
5	121926X	Gear, Sector
6	121927X	Bushing
7	73030800	Nut, Heavy, Hex, Top Lock 1/2-13UNC
8	126472X	Clip, Wire

KEY NO.	PART NO.	DESCRIPTION
9	73680800	Nut, Crownlock 1/2-13
10	76020412	Pin, Cotter 1/8 x 3/4
11	19131316	Washer 13/32 x 13/16 x 16 Ga.
12	126847X	Bushing
13	74760512	Bolt, Hex 5/16-18 x 3/4
14	19111416	Washer 11/32 x 7/8 x 16 Ga.
15	72110606	Bolt, Carriage 3/8-16 UNC x 3/4
16	137096	Support, Front Axle

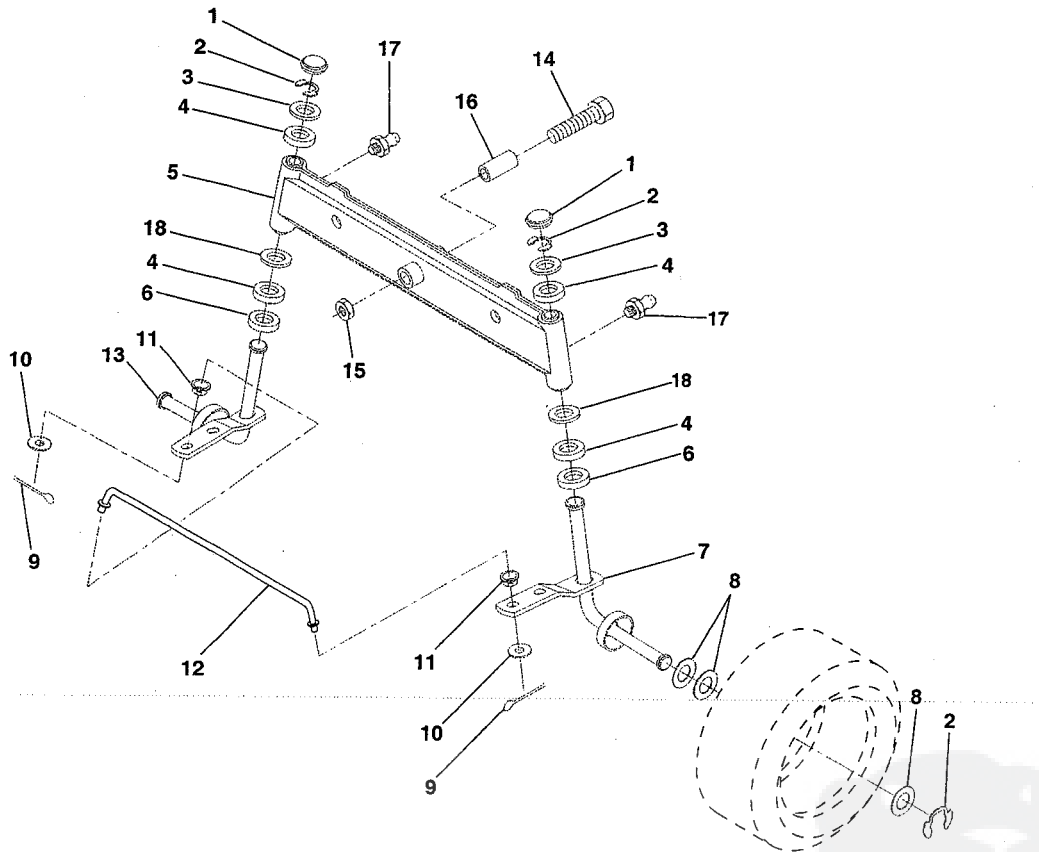
NOTE: All component dimensions given in U.S. inches  
1 inch = 25.4 mm

HARDWARE SHOWN LARGER FOR EASIER IDENTIFICATION

# REPAIR PARTS

TRACTOR - MODEL NUMBER RE12C36E

## FRONT AXLE



KEY NO.	PART NO.	DESCRIPTION
1	121232X	Cap, Spindle
2	12000029	Ring, Klip
3	121748X	Washer 25/32 x 1-5/8 x 16 Gauge
4	3366R	Bearing
5	142033	Axle, Front
6	6266H	Bearing, Thrust
7	161826	Spindle Assembly, R.H.
8	121749X	Washer 25/32 x 1-1/4 x 16 Gauge
9	76020412	Pin, Cotter 1/8 x 3/4
10	19131316	Washer 13/32 x 13/16 x 16 Gauge

KEY NO.	PART NO.	DESCRIPTION
11	126847X	Bushing
12	130465	Rod, Tie
13	161827	Spindle Assembly, L.H.
14	74011056	Bolt Hex 5/8-11 x 3-1/2
15	73901000	Nut, Lock Flange 5/8-11
16	110438X	Spacer, Bearing Axle
17	6855M	Fitting Grease
18	19272016	Washer 27/32 x 1-1/4 x 16 Ga.

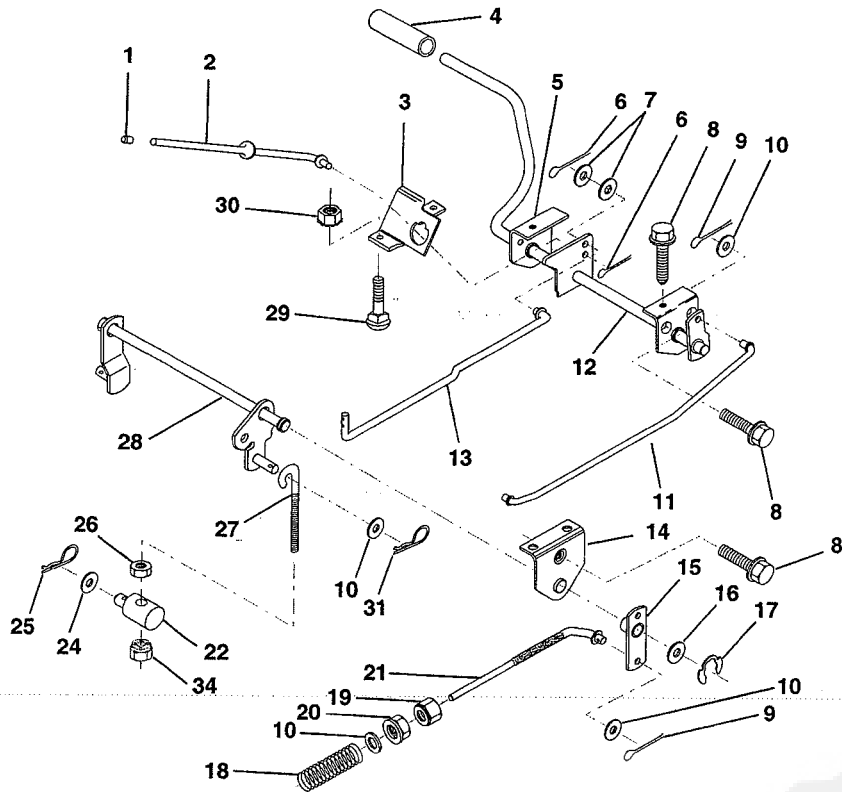
NOTE: All component dimensions given in U.S. inches  
1 inch = 25.4 mm

HARDWARE SHOWN LARGER FOR EASIER IDENTIFICATION

# REPAIR PARTS

TRACTOR - MODEL NUMBER RE12C36E

## BRAKE / REAR MOWER LIFT ASSEMBLY



KEY NO.	PART NO.	DESCRIPTION
1	71673	Cap, Parking Brake
2	123436X	Rod, Parking Brake
3	123437X	Bracket, Parking Brake
4	8156H	Cover, Pedal
5	122504X	Bracket, Pedal, Clutch LH
6	76020312	Pin, Cotter 3/32 x 3/4
7	19131016	Washer 13/32 x 5/8 x 16 Gauge
8	17490508	Screw, Hex, Thd. Roll. 5/16-18 x 1/2
9	76020412	Pin, Cotter 1/8 x 3/4
10	19131316	Washer 13/32 x 13/16 x 16 Gauge
11	123543X	Rod, Front Brake
12	139933	Assembly, Clutch/Brake Pedal
13	123394X	Rod, Clutch
14	121978X	Bracket, Lift, Shaft
15	133332	Assembly, Brake, Pivot, Arm
16	19251816	Washer 25/32 x 1-1/8 x 16 Gauge

KEY NO.	PART NO.	DESCRIPTION
17	12000034	Ring, Klip
18	151332	Spring, Brake Rod
19	73350600	Nut, Hex, Jam 3/8-16 UNC
20	73800600	Nut, Lock, Hex W/Ins 3/8-16 UNC
21	131460	Rod, Rear Brake
22	144585	Trunnion, Lift
24	19132012	Washer 13/32 x 1-1/4 x 12 Gauge
25	4921H	Spring, Retainer
26	73930600	Nut, Centerlock 3/8-16 UNC
27	127369	Link, Threaded
28	140776	Assembly, Rear Mower Lift
29	72110506	Bolt, Carriage 5/16-18 UNC x 3/4
30	73510500	Nut, Keps 5/16-18 UNC
31	3146R	Retainer, Spring
34	73680600	Nut, Lock Hex W/Wsh 3/8-16

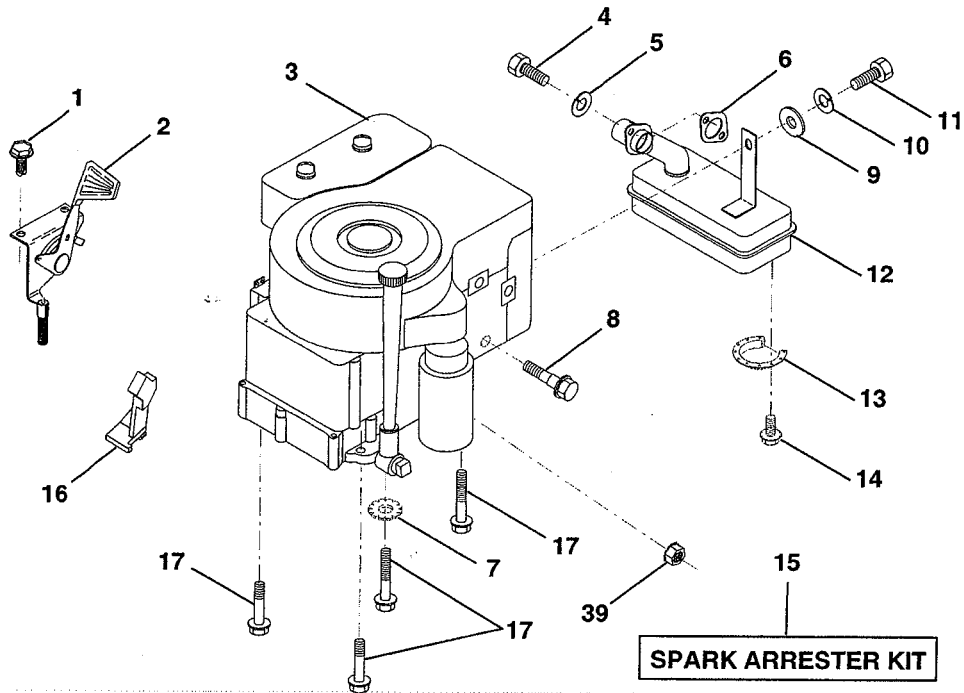
NOTE: All component dimensions given in U.S. inches  
1 inch = 25.4 mm

HARDWARE SHOWN LARGER FOR EASIER IDENTIFICATION

# REPAIR PARTS

TRACTOR - MODEL NUMBER RE12C36E

ENGINE / THROTTLE



KEY NO.	PART NO.	DESCRIPTION
1	17720410	Screw, Hex, Thread Cutting 1/4-20 x 5/8
2	133025	Control, Throttle
3	-----	Engine, B&S, #289707
4	71070512	Screw, Hex Hd
5	10040500	Washer, Lock, Heavy Helical Spring 5/16
6	165291	Gasket, Exhaust
7	11050600	Washer Lock Ext. Tooth 3/8
8	121094X	Bolt, Shoulder 5/16 UNC
9	19101216	Washer 5/16 x 3/4 x 16 Gauge
10	10040400	Washer, Lock, Heavy Helical Spring 1/4
11	---	Bolt, Hex Head, Fin. (Order from Engine Manufacturer)

KEY NO.	PART NO.	DESCRIPTION
12	137437	Muffler
13	101326L	Deflector, Muffler
14	17030808	Screw, Hex Head, Spiderlock #8 x 1/2
15	137180	Kit, Spark Arrester (Optional)
16	127951	Stop, Choke
17	17490624	Screw, Hex Washer Head, Thd. Roll. 3/8-16 x 1-1/2
39	73510400	Nut, Flange 1/4-20

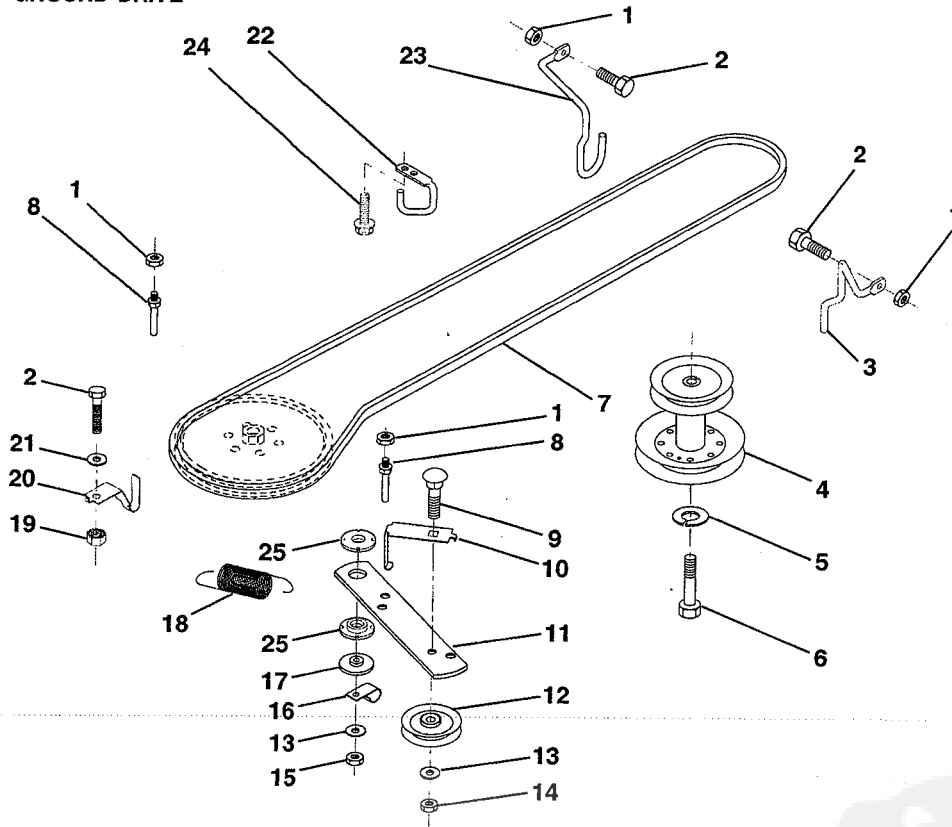
NOTE: All component dimensions given in U.S. inches  
1 inch = 25.4 mm

HARDWARE SHOWN LARGER FOR EASIER IDENTIFICATION

# REPAIR PARTS

## TRACTOR - MODEL NUMBER RE12C36E

### GROUND DRIVE



KEY NO.	PART NO.	DESCRIPTION
1	73680500	Nut, Lock Hex W/Ins 5/16-18
2	74760512	Bolt, Hex 5/16-18 UNC x 3/4
3	141342	Keeper, Mower Drive Belt, Engine, R.H.
4	138029	Pulley, Engine
5	10040700	Washer, Lock, Heavy Helical Spring 7/16
6	71170744	Bolt, Hex, 7/16-20 x 2-3/4 Grade 5
7	126520X	Traction, V-Belt Drive
8	123405X	Keeper, T/A Ground Drive Belt
9	72140612	Bolt, Carriage 3/8-16 UNC x 1-1/2
10	123396X	Keeper, Ground Drive Belt, Idler
11	150926	Arm, Ground Drive Clutch
12	123674X	Idler, Flat
13	19131316	Washer 13/32 x 13/16 x 16 Gauge

KEY NO.	PART NO.	DESCRIPTION
14	73930600	Nut, Centerlock 3/8-16 UNC
15	73680600	Nut, Lock Hex w/Wsh 3/8-16
16	126471X	Clip, Insulated
17	150932	Spacer, Retainer
18	131459	Spring, Extension
19	73510500	Nut, Keps 5/16-18 UNC
20	139919	Keeper, T/A Ground Drive Belt
21	19111016	Washer 11/32 x 5/8 x 16 Gauge
22	123404X	Keeper, Ground Drive Belt, Frame
23	140916	Keeper, Mower Drive Belt, L.H.
24	17720408	Screw, Thread Cutting 1/4-20 x 1/2
25	150935	Bushing, Nylon

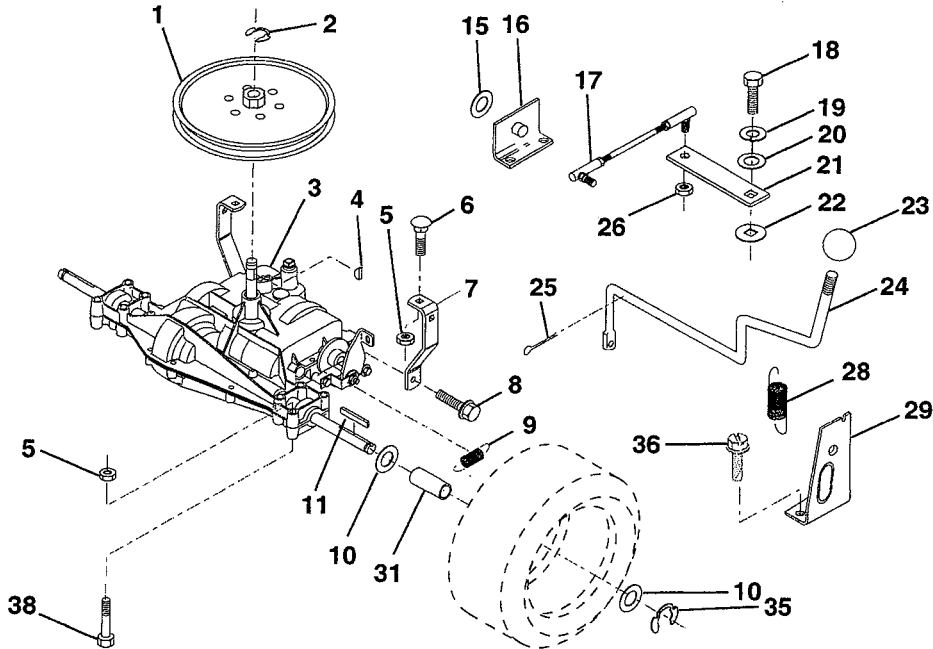
NOTE: All component dimensions given in U.S. inches  
1 inch = 25.4 mm

HARDWARE SHOWN LARGER FOR EASIER IDENTIFICATION

# REPAIR PARTS

## TRACTOR - MODEL NUMBER RE12C36E

### TRANSAXLE



KEY NO.	PART NO.	DESCRIPTION	KEY NO.	PART NO.	DESCRIPTION
1	123385X	Pulley	19	10040400	Washer, Lock 1/4
2	12000028	Ring, Retainer	20	19091210	Washer 9/32 x 3/4 x 10 Gauge
3	-----	Transaxle Peerless 205-544C (Order parts from transaxle manufacturer)	21	126292X	Arm, Shift
4	2228M	Key, Woodruff #9	22	105701X	Washer, Shift Plate
5	73680500	Nut, Lock Hex 5/16-18	23	106933X	Knob, Deluxe
6	72140506	Bolt, Carriage 5/16-18 UNC x 3/4	24	128215	Rod, Shift
7	123378X	Strap, Torque	25	76020416	Pin, Cotter 1/8 x 1
8	17060512	Screw 5/16-18 x 3/4	26	73810500	Nut, Hex, Nylon 5/16-24 UNF
9	146682	Spring, Brake	28	128085	Spring, Extension
10	121749X	Washer 25/32 x 1-1/4 x 16 Gauge	29	128084	Support, Handle, Shift, R.H.
11	123583X	Key, Square	31	137057	Spacer, Split
15	19171616	Washer 17/32 x 16 Ga.	35	12000001	E-Ring
16	124600X	Support, Handle Shift	36	17720408	Screw, Thdcut. 1/4-20 x 1/2
17	126293X	Link, Shift	38	74490540	Bolt, Hex, Flgnd 5/16-18
18	74550412	Bolt, Hex, Fin 1/4-28 UNF x 3/4 Gr. 8			

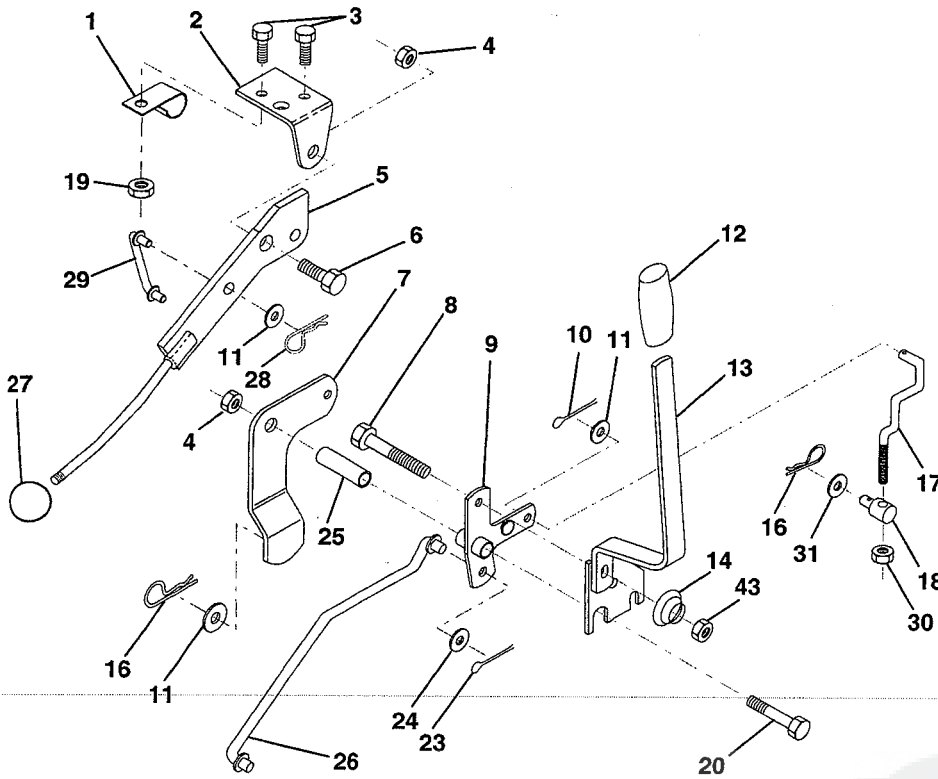
NOTE: All component dimensions given in U.S. inches 1 inch = 25.4 mm

HARDWARE SHOWN LARGER FOR EASIER IDENTIFICATION

# REPAIR PARTS

## TRACTOR - MODEL NUMBER RE12C36E

### MOWER LIFT LEVER



KEY NO.	PART NO.	DESCRIPTION	KEY NO.	PART NO.	DESCRIPTION
1	126470X	Clip, Insulated	17	127359	Link, Front Lift
2	122018X	Bracket, Mower Clutch	18	142028	Trunnion, Threaded 3/8-16
3	71110408	Bolt, Hex, Fin 1/4-20 UNC x 1/2 Grade 5	19	73680400	Nut, Crownlock 1/4-20
4	73680600	Nut, lock Hex W/Wsh 3/8-16	20	74760644	Bolt, Hex, Fin. 3/8-16 UNC x 2-3/4
5	145187	Assembly, Clutch Lever	23	76020416	Pin, Cotter 1/8 x 1
6	106451X	Bolt, Shoulder	24	19171612	Washer 17/32 x 1 x 12 Gauge
7	135371	Assembly, Mower Clutch Arm	25	121933X	Tube, Spacer
8	74760636	Bolt, Hex 3/8-16 UNC x 2-1/4	26	141470	Rod, Mower Lift
9	121930X	Assembly, Bellcrank, Lift	27	106932X	Knob, Rd
10	76020412	Pin, Cotter 1/8 x 3/4	28	4497H	Retainer, Spring
11	19131316	Washer 13/32 x 13/16 x 16 Gauge	29	131655	Link, Mower Clutch
12	131861	Sleeve, Handle	30	73350600	Nut, Hex Jam 3/8-16
13	139352	Assembly, Lift Handle	31	19132012	Washer 13/32 X 1-1/4 X 12 Gauge
14	123496X	Spring, Compression	43	73900600	Nut Lock Fig 3/8-16 Unc
16	4921H	Retainer, Spring			

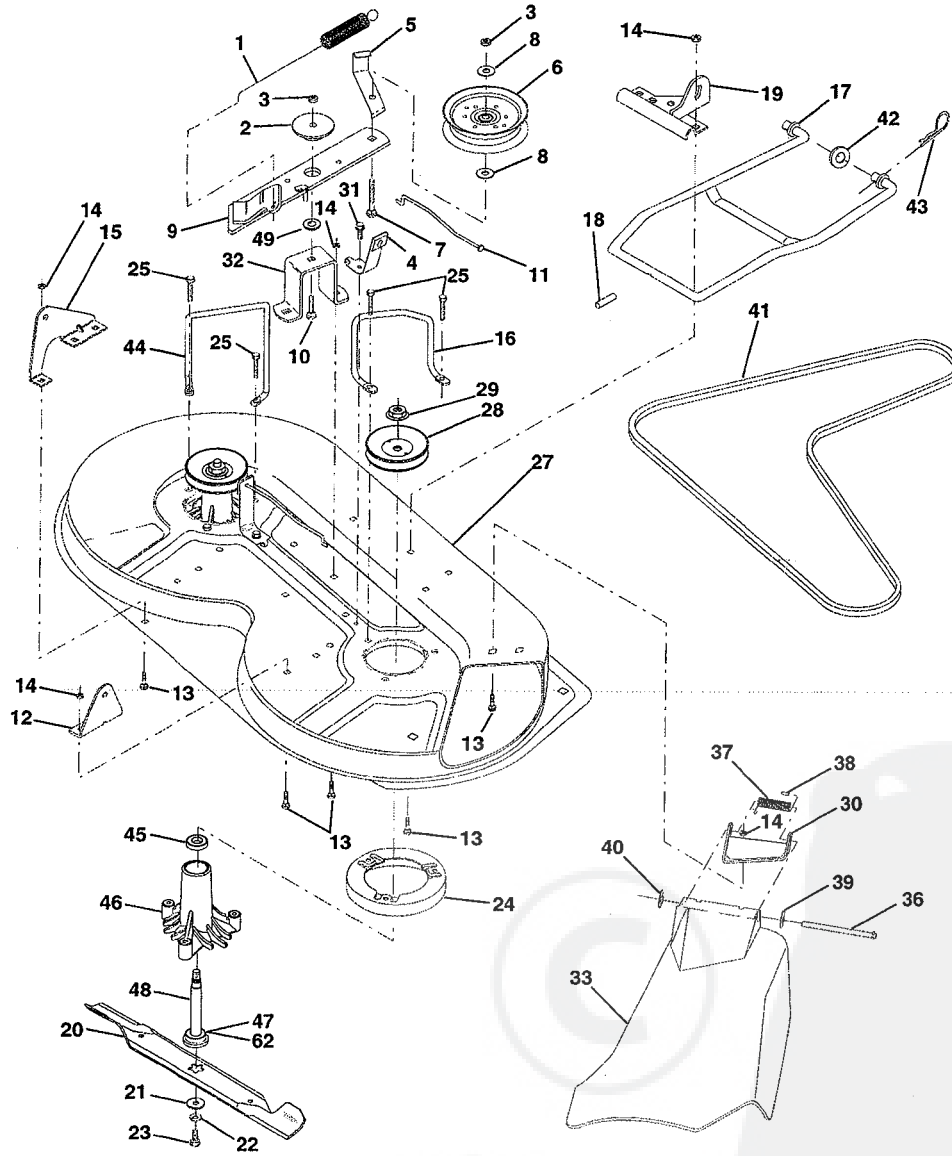
NOTE: All component dimensions given in U.S. inches  
1 inch = 25.4 mm

HARDWARE SHOWN LARGER FOR EASIER IDENTIFICATION

# REPAIR PARTS

TRACTOR - MODEL NUMBER RE12C36E

## MOWER DECK





## REPAIR PARTS

TRACTOR - MODEL NUMBER RE12C36E

### MOWER DECK

KEY NO.	PART NO.	DESCRIPTION
1	140064	Spring, Mower Clutch
2	165723	Spacer, Retainer
3	73680600	Nut, Lock Hex W/Wsh 3/8-16
4	130840	Assembly, Brake
5	131251	Guide, Belt Idler
6	121316X	Idler, Flat
7	72110616	Bolt, Carriage 3/8-16 x 2 Grade 5
8	19131410	Washer 13/32 x 7/8 x 10 Gauge
9	127744	Assembly, Mower Idler Arm
10	72140610	Bolt, Carriage 3/8-16 UNC x 1-1/4
11	130841	Rod, Brake
12	127356	Bracket, Rear Lift, R.H.
13	72140506	Bolt, Carriage 5/16-18 UNC x 3/4
14	73680500	Nut, Lock Hex W/Ins. 5/16-18
15	127357	Bracket, Rear Lift, L.H.
16	153298	Keeper, R.H.
17	128508	Stabilizer, Mower Link
18	128511	Pin, Drive
19	127380	Bracket, Stabilizer Link
20	138496	Blade
21	140296	Washer, Hard
22	10030600	Washer, Lock, Heavy 3/8
23	850857	Bolt 3/8-24 x 1-1/4 Grade 8
24	140329	Stripper
25	157722	Screw, Thdrol Washer Head
27	156600	Housing, Mower
28	153531	Pulley, Mandrel
29	137266	Nut, Flangelock 9/16
30	136631	Bracket, Deflector
31	17490508	Screw, Hex Washer Head, Thd. Roll. 5/16-18 x 1/2
32	122051X	Arm, Support Idler, Mower
33	131560X428	Shield, Deflector
36	121980X	Rod, Hinge
37	123713X	Spring, Torsion Deflector
38	105304X	Cap, Sleeve
39	19111016	Washer 11/32 x 5/8 x 16 Gauge
40	110452X	Nut, Push
41	131264	V-Belt
42	19171616	Washer 11/32 x 5/8 x 16 Gauge
43	163552	Retainer Spring
44	140608	Keeper, L.H.
45	110485X	Bearing
46	128774	Housing, Mandrel, Vented
47	129895	Bearing
48	137645	Shaft, Mandrel (Includes Key Number 47)
49	133943	Washer, Hardened
62	153390	Washer, Felt
--	130794	Mandrel Assembly (Includes Key Numbers 21-23, 26, 29 and 45-48)
--	156866	Deck, Mower Complete

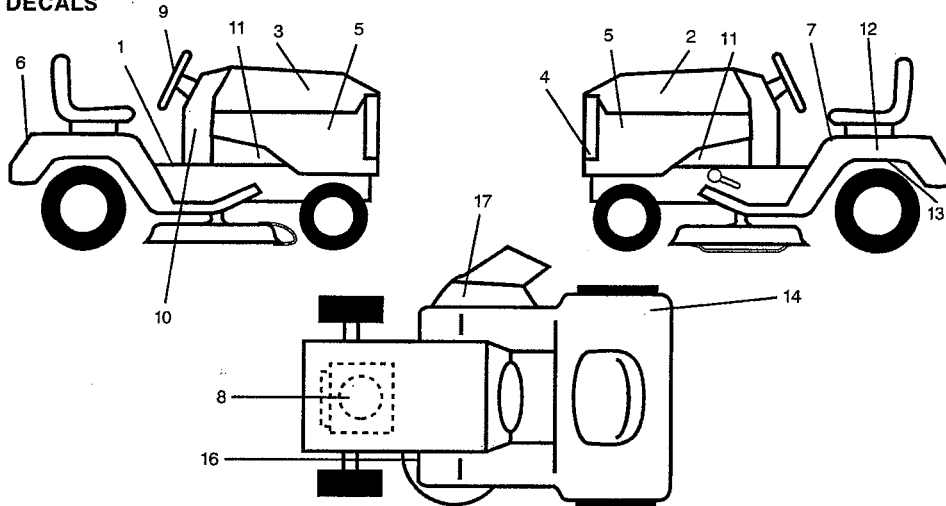
NOTE: All component dimensions given in U.S. inches 1 inch = 25.4 mm

HARDWARE SHOWN LARGER FOR EASIER IDENTIFICATION

## REPAIR PARTS

### TRACTOR - MODEL NUMBER RE12C36E

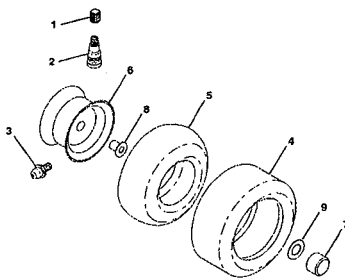
#### DECALS



KEY NO.	PART NO.	DESCRIPTION
1	159739	Decal, Op. Instruction, Symbol (French/German/English/Dutch)
2	141744	Decal, Stripe, Hood, L.H.
3	141743	Decal, Stripe, Hood, R.H.
4	132627	Decal, Grill
5	156107	Decal, Insert Hood
6	132628	Decal, Fender
7	145498	Decal, Read, Symbol
8	170832	Decal, Engine
9	127075	Decal, Wheel, Steering
10	145437	Decal, Europe, Stand. Ce.
11	159736	Decal, Chassis Hot Muffler

KEY NO.	PART NO.	DESCRIPTION
12	145005	Decal, Caution, Battery
13	162598	Decal Drawbar Load Limit
14	126187X	Decal, 100 DbA
16	145494	Decal, Certification
17	136830	Decal, V-Belt, Schematic
--	138311	Decal, Lift Handle
--	157065	Manual, Operator's (Euro.)
--	157216	Manual, Operator's (Scan.)
--	<b>173606</b>	Manual, Repair Parts
Available accessories are not included with your tractor:		
	MK36	Mulcher Kit

#### TIRES & WHEELS



KEY NO.	PART NO.	DESCRIPTION
1	59192	Cap, Valve
2	65139	Stem, Valve
3	278H	Fitting, Grease (Front Only)
4	137422	Tire, Front
	132703	Tire, Rear
5	59904	Tube, Tire, Front
	8134H	Tube, Tire, Rear
6	137237X427	Rim Assembly, Front
	140325X427	Rim Assembly, Rear
7	104757X	Cap, Axle
8	9040H	Bearing, Flange (Front Only)
9	121748X	Washer, Axle Cap
--	144334	Sealant, Tire (10 Ounce Tube)

# Rally