

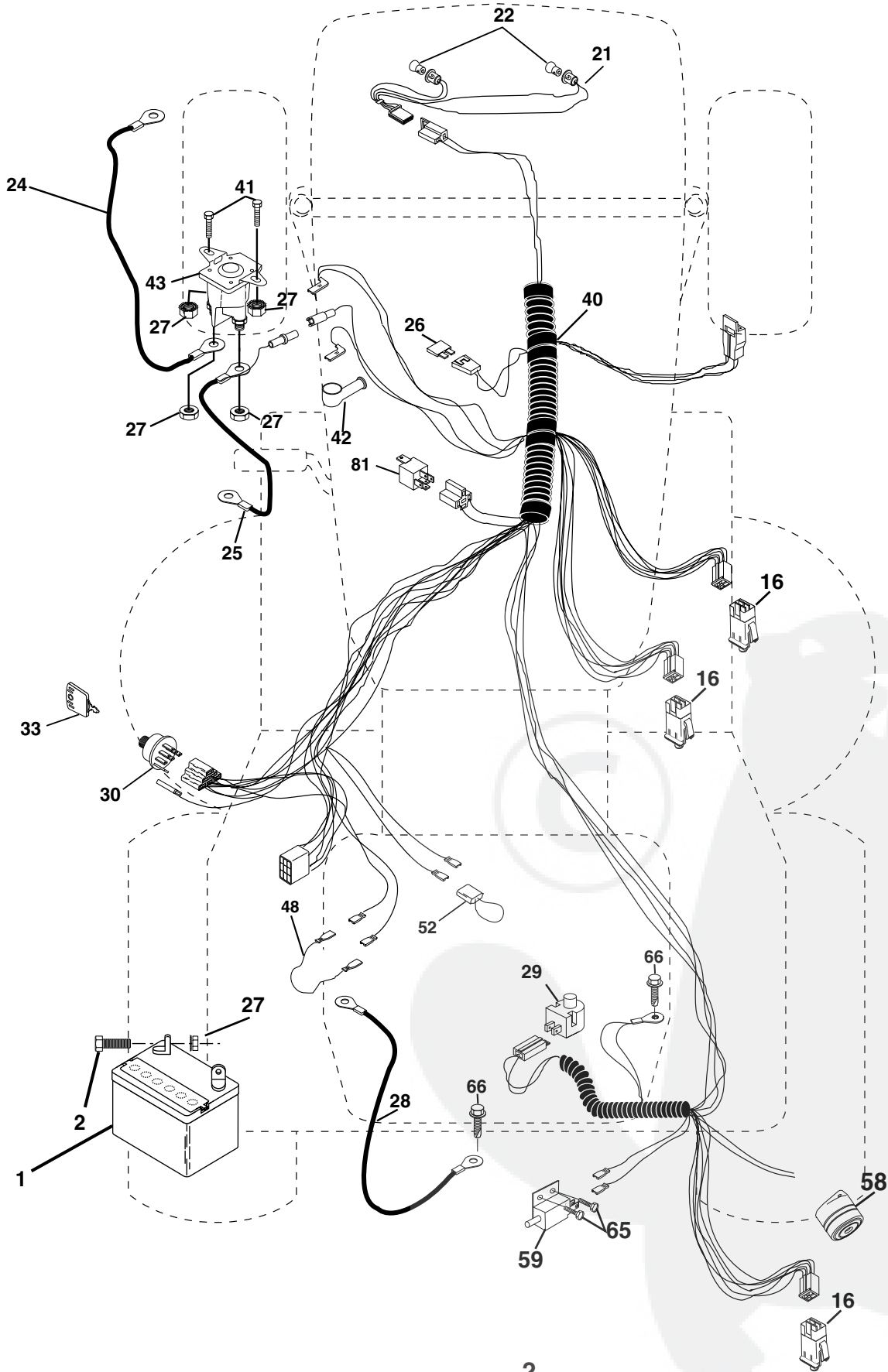
ILLUSTRATED PARTS BREAKDOWN

**JONSERED
14.5 HP LAWN TRACTOR
MODEL NO. ICT15A (JICTH15B)
954 13 00-49**



REPAIR PARTS

TRACTOR- -MODEL NO. ICT15A (JICTH15B) PRODUCT NO. 954 13 00-49
ELECTRICAL



REPAIR PARTS

TRACTOR- -MODEL NO. ICT15A (JICTH15B) PRODUCT NO. 954 13 00-49
ELECTRICAL

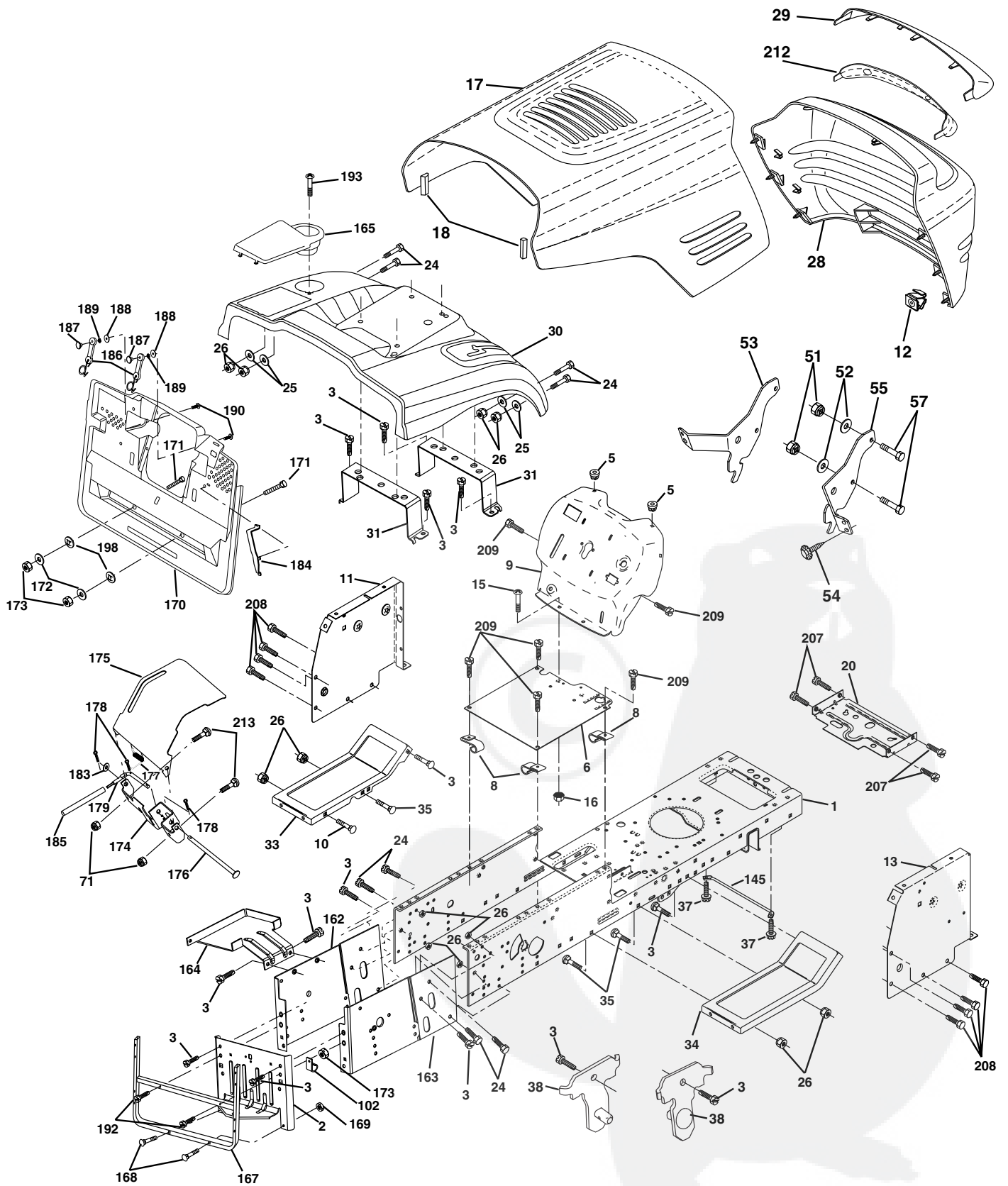
KEY NO.	PART NO.	DESCRIPTION
1	532 14 49-25	Battery
2	874 76 04-12	Bolt Hex Hd 1/4-20 Unc x 3/4
16	532 15 36-64	Switch Interlock Push-In
21	532 16 61-82	Harness Asm Light W/4152J
22	532 00 41-52	Bulb Light #1156
24	532 12 47-80	Cable Starter 6Ga 11" Red
25	532 16 59-87	Cable Battery Crd 56" Red
26	532 17 51-58	Fuse 20 Amp
27	873 51 04-00	Nut Keps Hex 1/4-20 Unc
28	532 12 77-25	Cable Ground 6Ga 18" Black
29	532 16 07-84	Switch Plunger Normal Op Olive
30	532 17 55-66	Switch Ignition Delta
33	532 14 04-01	Key Ign Molded Delta
40	532 17 01-64	Harness Ign Crd Noram
41	871 11 04-08	Bolt Flk Fin Hex 1/4-20 Unc x 1/2
42	532 13 15-63	Cover Terminal Red
43	532 17 51-41	Solenoid
48	532 14 08-44	Adapter Ammeter Rectangular
52	532 14 19-40	Protection Wire Loop
58	532 16 94-19	Buzzer Crd
59	532 16 62-99	Switch FBI CRD
65	817 21 10-08	Screw Slftp #10-16 x 1/2 Ty-Ab
66	817 49 06-08	Screw Thdrol 3/8-16 x 1/2 Ty-Tt
81	532 10 97-48	Relay Asm

NOTE: All component dimensions given in U.S. inches.
1 inch = 25.4 mm.



REPAIR PARTS

TRACTOR- -MODEL NO. ICT15A (JICTH15B) PRODUCT NO. 954 13 00-49
CHASSIS AND ENCLOSURES



REPAIR PARTS

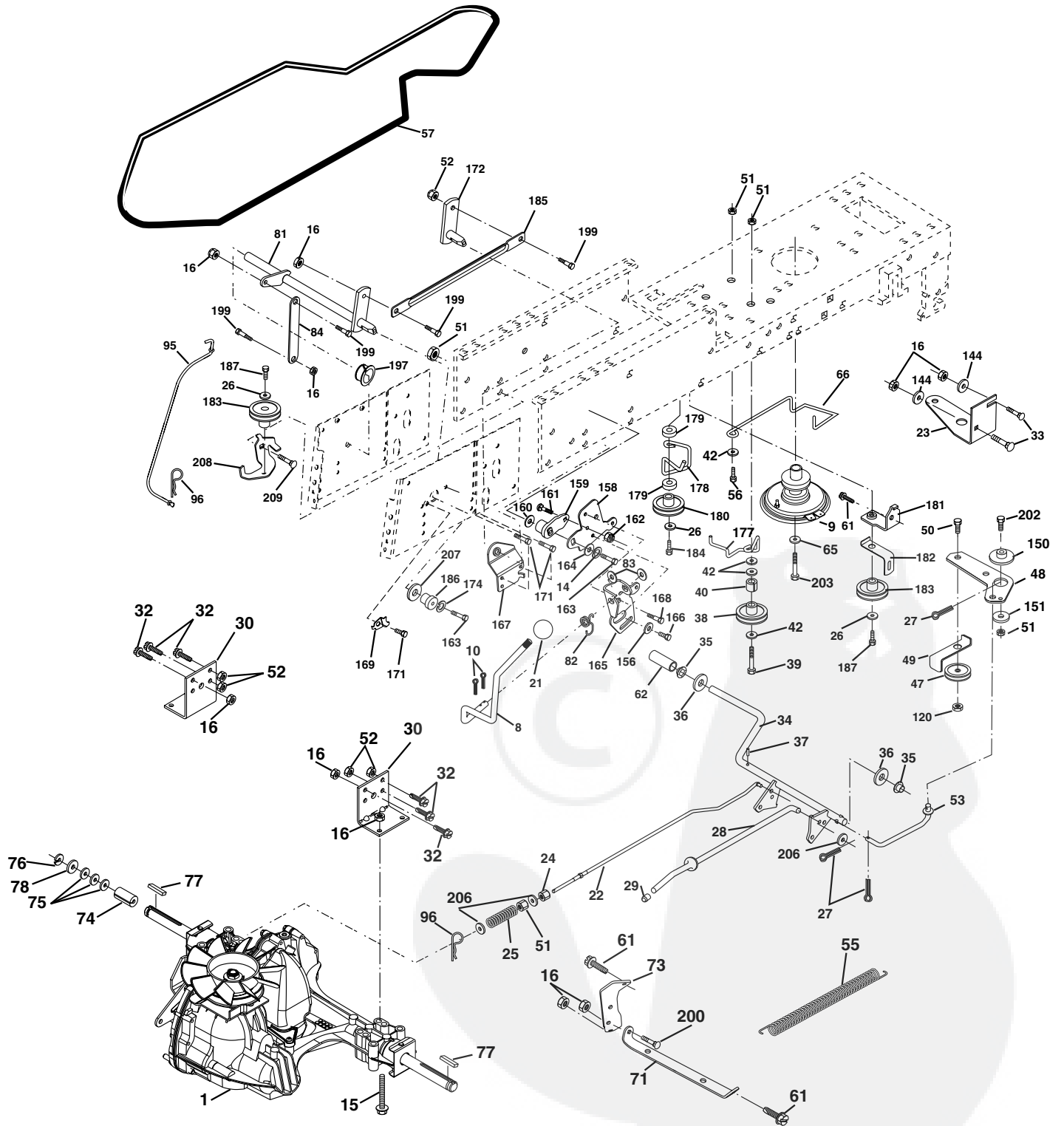
TRACTOR- -MODEL NO. ICT15A (JICTH15B) PRODUCT NO. 954 13 00-49 CHASSIS AND ENCLOSURES

KEY NO.	PART NO.	DESCRIPTION	KEY NO.	PART NO.	DESCRIPTION
1	532 16 98-31	Chassis Assembly	162	532 17 02-56	Bracket Exten Chassis Lh CRD
2	532 16 56-06	Drawbar	163	532 17 57-70	Bracket Exten Chassis Rh CRD
3	817 06 06-12	Screw 3/8-16 x .75 smqml Tap/R.Z	164	532 16 56-05	Support Battery CRD
5	532 15 52-72	Bumper Hood/Dash	165	532 16 84-07	Cover Battery CRD Lt
6	532 15 59-23	Saddle	167	532 16 57-79	Support Asm. Backplate WLDMNT
8	532 12 64-71	Clip Insulator 13/32 Mtg. Hole	168	872 05 04-12	Bolt, RDHD SHT NK 1/4-20 x 1-1/2
9	532 17 22-43	Dash	169	532 12 39-76	Nut, Lock 1/4 LGE FLG Gr. 5 Zinc
10	872 14 06-08	Bolt, Carriage 3/8-16 x 3/4	170	532 17 52-64	Cover, Backplate Plastic Black
11	532 15 59-27	Panel, Dash, L.H.	171	872 14 06-20	Bolt Hex 3/8-16 x 2-1/2 Gr. 5
12	532 14 56-60	Clip Tinnerman Grille P/L	172	819 13 20-16	Washer 13/32 x 1-1/4 x 16 Ga.
13	532 17 21-08	Panel, Asm. Dash R.H.	173	873 51 06-00	Nut, Keps Hex 3/8-16 UNC
15	874 18 05-12	Screw, Machine, Truss Head 5/16-18 UNC x 3/4	174	532 16 59-39	Bracket Switch FBI CRD
16	873 51 05-00	Nut	175	532 16 62-12	Guard Door Rear CRD
17	532 15 07-60	Hood Assembly	176	532 12 86-00	Pin Hinge Pivot
18	532 12 69-38	Bumper Hood	177	532 13 27-96	Spring Bagger Top LH Black
20	532 15 64-37	Plate Mtg. Battery/Fuel Tank	178	876 02 03-12	Pin Cotter 3/32 x 3/4 Cad Zinc
24	874 78 06-16	Bolt	179	532 16 59-42	Rod Pivot FBI CRD
25	819 13 13-12	Washer 13/32 x 13/16 x 12 Gauge	180	872 11 04-06	Bolt Carriage
26	873 80 06-00	Nut	181	873 68 05-40	Nut Crownlock 1/4-20 Unc
28	532 16 95-09	Grille PL	183	819 13 13-16	Washer 13/32 x 13/16 x 16 Ga.
29	532 16 66-03	Lens, Grille	184	532 17 46-62	Bracket Actuator Bagger CRD
30	532 17 58-43	Fender	185	532 16 59-40	Tube Lever Switch FBI CRD
31	532 16 51-56	Bracket, Fender Support	186	532 16 07-93	Latch Asm Mulch/Bagger
33	532 14 91-39	Footrest, L.H.	187	532 12 50-04	Nut Weld
34	532 14 91-40	Footrest, R.H.	188	819 06 12-16	Washer #10
35	872 11 06-06	Bolt	189	810 07 10-00	Washer Lock #10
37	817 49 05-08	Screw Thdrol 5/16-18 x 1/2 TYT	190	871 08 10-10	Washer Pan Head Phil 10-24 x 5/8
38	532 16 98-34	Pivot Bracket Assembly	192	817 49 06-24	Screw Thdrol 3/8-16 x 1-1/2
51	873 80 04-00	Nut Lock w/Insert 1/4-20 UNC	193	817 07 04-12	Screw Truss 1/4-20 x 3/4
52	819 09 14-16	Washer 9/32 x 7/8 x 16 Ga.	198	532 16 89-37	Nut Push
53	532 14 52-01	Bracket Grille Pick-off LH	207	817 67 05-08	Screw Thdrol 5/16-18 x 1/2
54	532 16 14-64	Screw Hex Wshd 8-18 x 7/8	208	817 67 06-08	Screw Thdrol 3/8-16 x 1/2
55	532 14 52-02	Bracket Grille Pick-off RH	209	817 00 06-12	Screw Hex Wsh Thdrol 3/8-16
57	874 78 04-12	Bolt, Fin Hex 1/4-20 UNC x .75	212	532 16 59-19	Insert Lens Reflect
102	532 12 49-96	Clip Line Fuel 13/32 Mtg Hole	--	532 00 54-79	Plug, Button
145	532 15 65-24	Rod Pivot Chassis/Hood			

NOTE: All component dimensions given in U.S. inches.
1 inch = 25.4 mm.

REPAIR PARTS

TRACTOR- -MODEL NO. ICT15A (JICTH15B) PRODUCT NO. 954 13 00-49
DRIVE



REPAIR PARTS

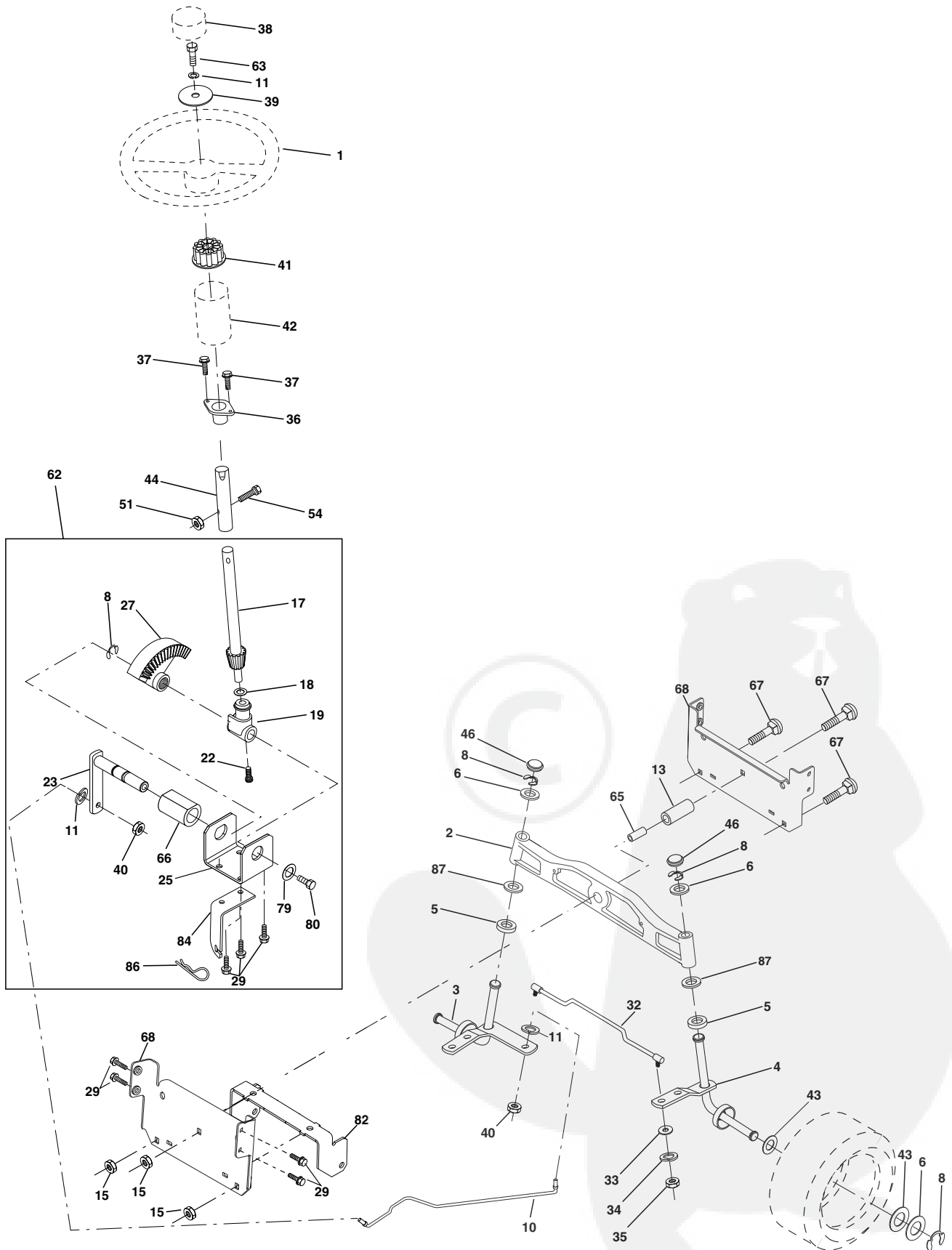
TRACTOR- -MODEL NO. ICT15A (JICTH15B) PRODUCT NO. 954 13 00-49 DRIVE

KEY NO.	PART NO.	DESCRIPTION	KEY NO.	PART NO.	DESCRIPTION
1	-----	Transaxle Hydro Gear 321-0510 (Order parts from transaxle manufacturer)	81	532 17 00-06	Asm, Shaft
8	532 16 56-19	Rod, Shift Fender Adjust Lt	82	532 12 37-82	Spring, Torsion
9	532 17 01-63	Clutch Asm Noram	83	819 17 12-16	Washer 17/32 x 3/4 x 16 Ga.
10	876 02 04-16	Pin, Cotter 1/8 x 1	84	532 17 00-07	Link, Transaxle
14	810 04 04-00	Washer, Lock Hvy Helical	95	532 17 00-15	Control Asm Bypass Hydro
15	874 49 05-44	Bolt Hex FLGHD 5/16-18 Gr. 5	96	532 12 47-88	Spring, Retainer 1"
16	873 80 05-00	Nut, Lock Hex w/Ins 5/16-18 UNC	120	873 90 06-00	Nut Lock Flg 3/8-16 UNC
21	532 13 05-64	Knob 1/2-13 Unc	144	819 11 10-16	Washer 11/32 x 5/8 x 16 Ga.
22	532 17 01-37	Rod, Brake	150	532 16 58-50	Bushing, Bellcrank Grnd Dr
23	532 17 00-17	Bracket asm Clutch Mtg.	151	819 13 32-10	Washer 13/32 x 2 x 10 Ga.
24	873 35 06-00	Nut	156	532 16 60-02	Washer Srrted 5/16ID x 1.125
25	532 10 68-88	Spring, Rod, Brake	158	532 16 55-89	Bracket Shift Mount
26	819 13 13-16	Washer 13/32 x 13/16 x 16 Ga.	159	532 16 54-94	Hub Tapered Flange Shift Lt
27	876 02 04-12	Pin, Cotter 1/8 x 3/4	160	819 29 20-16	Washer 29/32 x 1-1/4 x 16 Ga.
28	532 14 52-04	Rod, Parking Brake	161	872 14 04-06	Bolt Rdhd Sqnk 1/4-20 x 3/4 Gr 5
29	532 07 16-73	Cap, Parking Brake	162	873 68 04-00	Nut Crownlock 1/4-20 Unc
30	532 16 95-92	Bracket, Mfg. Transaxle	163	874 78 04-16	Bolt Hex Fin 1/4-20 Unc x 1 Gr 5
32	874 76 05-12	Bolt Hex 5/16-18 UNC x 3/4	164	819 09 10-10	Washer 5/8 x .281 x 10 Ga.
33	872 14 05-06	Bolt Rdhd Sqnk 5/16-18 Unc x 3/4	165	532 16 56-23	Bracket Pivot Lever
34	532 16 54-96	Shaft, Asm Pedal Foot CRD	166	532 16 68-80	Screw 5/16-18 x 5/8
35	532 12 01-83	Bearing, Nylon	167	532 16 55-88	Bracket Support Shift CRD
36	819 21 16-16	Washer 21/32 x 1 x 16 Ga.	168	532 16 54-92	Bolt Shoulder 5/16-18 x .561
37	532 12 49-63	Pin, Roll 3/16 x 1"	169	532 16 55-80	Plate Fastening Lt
38	532 16 59-36	Pulley Flat Composite 3.06"	171	817 49 06-08	Screw Thdrol 3/8-16 x 1/2 Ty-Tt
39	874 76 06-44	Bolt Fin Hex 3/8-16 Unc x 2-3/4	172	532 17 02-71	Shaft Asm Shifter Frt
40	532 12 49-65	Spacer, Split 395 x 59 Bzp	174	810 09 04-00	Washer Lock 1/4
42	819 13 13-12	Washer 13/32 x 13/16 x 12 Ga.	177	532 16 59-32	Keeper Flat Idler 3.06" CRD
47	532 12 77-83	Pulley, Idler, V Groove Plasic	178	532 16 59-33	Keeper Belt Idler 1.88" CRD
48	532 15 44-07	Bellcrank Clutch Grnd Drv	179	532 12 09-58	Washer Sintered
49	532 12 32-05	Retainer, Belt Style Spring	180	532 16 56-30	Pulley, Idler, Flat 1.88" CRD
50	874 76 06-24	Bolt Hex Hd 3/8-16 UNC x 1-1/2	181	532 16 57-97	Bracket Idler Ground Drive CRD
51	873 68 06-00	Nut, Crownlock 3/8-16 UNC	182	532 16 56-34	Keeper Belt 2.5" Od V-Idler CRD
52	873 68 05-00	Nut Crownlock 5/16-18	183	532 16 56-26	Pulley V-Idler 2.50" Od CRD
53	532 10 57-10	Link, Clutch 7.66	184	817 49 06-44	Screw Hexwsh Thdrol 3/8-16 x 2-3/4
55	532 10 57-09	Spring, Return, Clutch	185	532 17 00-08	Link Shift CRD Hydro
56	874 76 06-20	Bolt, Hex 3/8-16 UNC x 1-1/4	186	532 16 56-14	Hub Tapered Round CRD
57	532 17 01-40	V-Belt Kev 113"	187	817 06 06-20	Screw 3/8-16 x 1-1/4
61	817 06 06-12	Screw 3/8-16 x 3/4	197	532 16 96-13	Nyliner Snap-In 5/8" ID
62	532 00 88-83	Cover, Pedal	199	532 16 96-12	Bolt Shoulder 5/16-18 UNC
65	810 04 07-00	Washer	200	872 14 05-08	Bolt RDHD SQNK 5/16-18unc x 1
66	532 15 47-78	Keeper, Belt Engine F-Proof	202	872 11 06-12	Bolt Carr. Sh. 3/8-16 x 1-1/2 Gr. 5
71	532 16 91-83	Strap, Torque, Lh	203	871 17 07-80	Bolt Hex 7/16-20 x 5
73	532 16 91-82	Strap, Torque, Rh	206	819 13 14-16	Washer 13/32 x 7/8 x 16 Ga.
74	532 13 70-57	Spacer	207	532 16 98-45	Washer Nylon Rear
75	532 12 17-49	Washer 25/32 x 1-1/4 x 16 Ga.	208	532 16 98-44	Bracket Idler Rear LH
76	812 00 00-01	Ring, E	209	872 11 06-06	Bolt RDHD SQNK 3/8-16 x 3/4
77	532 12 35-83	Key, Square			
78	532 12 17-48	Washer 25/32 x 1-5/8 x 16 Ga.			

NOTE: All component dimensions given in U.S. inches
1 inch = 25.4 mm

REPAIR PARTS

TRACTOR- -MODEL NO. ICT15A (JICTH15B) PRODUCT NO. 954 13 00-49
STEERING ASSEMBLY



REPAIR PARTS

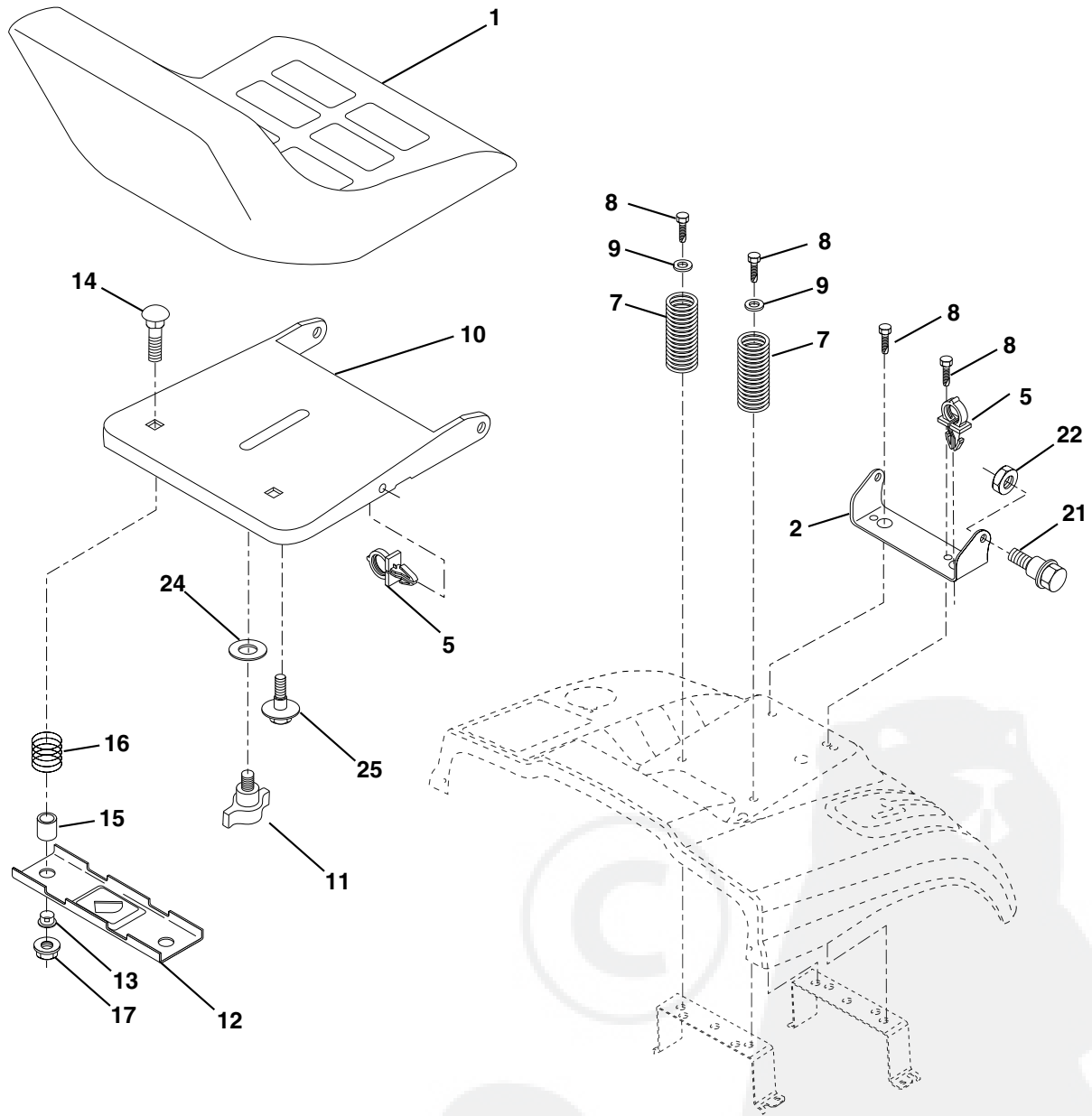
TRACTOR- -MODEL NO. ICT15A (JICTH15B) PRODUCT NO. 954 13 00-49 STEERING ASSEMBLY

KEY NO.	PART NO.	DESCRIPTION
1	532 17 20-92	Steering Wheel
2	532 17 23-93	Front Axle Assembly
3	532 16 98-40	Spindle Assembly, L.H.
4	532 16 98-39	Spindle Assembly, R.H.
5	532 12 49-31	Bearing, Race, Thrust, Hardened
6	532 12 17-48	Washer 25/32 x 1-5/8 x 16 Gauge
8	812 00 00-29	Ring, Klip
10	532 16 98-32	Link, Drag
11	810 04 06-00	Washer, Lock
13	532 13 65-18	Spacer Axle
15	532 14 52-12	Nut, Hex Lock, Flange
17	532 15 65-46	Shaft Assembly, Steering
18	532 05 70-79	Washer, Thrust .515 x .750 x .033
19	532 16 03-95	Support, Shaft
22	532 16 58-57	Screw Hex Wshhd Torx
23	532 16 58-51	Pittman Shaft Assembly
25	532 15 44-06	Bracket, Steering
27	532 13 68-74	Gear, Sector
29	817 06 06-12	Screw, 3/8-16 x 3/4 Smgml Tap/R.Z
32	532 17 01-62	Rod, Tie
33	819 11 12-16	Washer 11/32 x 3/4 x 16 Ga.
34	810 04 05-00	Washer Lock Hvy Hlcl Spr 5/16
35	873 54 05-00	Locknut 5/16-24 Unf
36	532 15 50-99	Bushing, Steering
37	532 15 29-27	Screw TT #10-32 x 5 x 3/8 Flange
38	532 17 20-93	Cap Wheel Steering
39	819 13 24-11	Washer 13/32 x 1-1/2 x 11 Ga.
40	532 12 47-01	Nut Lock Center 3/8-24 Unf
41	532 15 99-45	Adaptor, Steering Wheel
42	532 16 96-33	Boot, Steering Dash P/L Mtl
43	532 12 17-49	Washer 25/32 x 1-1/4 x 16 Gauge
44	532 15 37-20	Extension Steering Non-Adjust
46	532 12 12-32	Cap, Spindle
51	873 80 05-00	Nut Lock Hx W/Ins 5/16-18 UNC
54	874 78 05-20	Bolt Fin Hex 5/16-18 UNC x 1-1/4
62	532 16 79-02	Kit, Steering Assembly, Service
63	874 78 06-16	Bolt Fin Hex 3/8-16 unc. x 1 Gr. 5
65	532 16 03-67	Spacer Axle
66	532 15 44-04	Bearing Arm Pittman
67	872 14 06-18	Bolt Rdhd Sq 3/8-16unc x 2-1/4
68	532 16 98-27	Brace Axle
79	819 13 20-12	Washer 13/32 x 1-1/4 x 12 Ga
80	874 95 06-12	Bolt Hex Nylon 3/8-16 x 3/4
82	532 16 98-35	Bracket Susp Chassis
84	532 17 00-16	Bracket Cable Clutch Chassis
86	532 16 58-98	Retainer Spring
87	532 17 39-66	Washer Flat .781 x 1 1/2 x .14

NOTE: All component dimensions given in U.S. inches.
1 inch = 25.4 mm.

REPAIR PARTS

TRACTOR- -MODEL NO. ICT15A (JICTH15B) PRODUCT NO. 954 13 00-49 SEAT ASSEMBLY



KEY NO.	PART NO.	DESCRIPTION
1	532 14 01-18	Seat
2	532 14 05-51	Bracket Pnt Pivot Seat (blk)
5	532 14 50-06	Clip Push In Hinged
7	532 12 41-81	Spring Seat Cprsn 2 250 Blk Zi
8	817 00 06-16	Screw 3/8-16 X 1.5 Smgml Tap/R.Z
9	819 13 16-14	Washer 13/32 X 1 X 14 Ga
10	532 17 48-94	Pan Pnt Seat (blk)
11	532 16 63-69	Knob Seat Adj. Wingnut
12	532 12 12-46	Bracket Pnt Mounting Switch
13	532 12 12-48	Bushing Snap Blk Nyl 50 Id

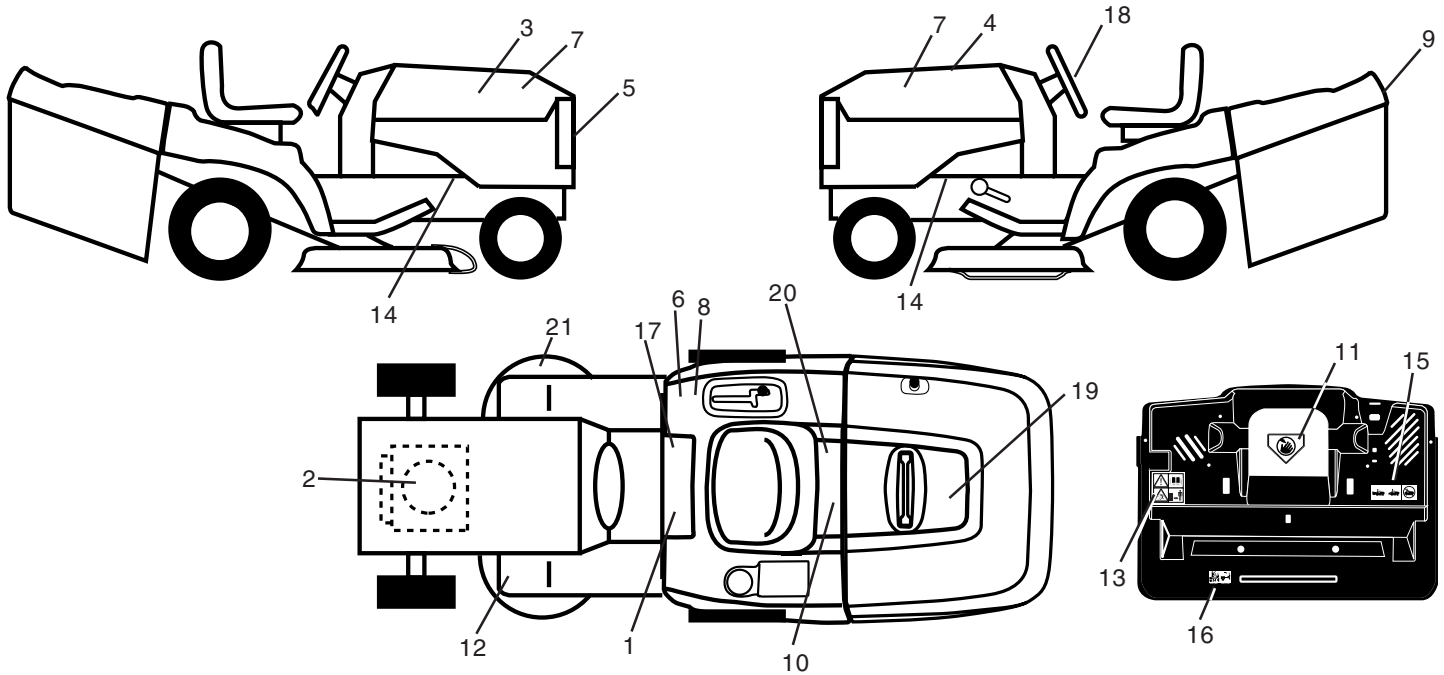
KEY NO.	PART NO.	DESCRIPTION
14	872 05 04-12	Bolt Rdhd Sht Nk 1/4-20x1-1/2
15	532 12 12-49	Spacer Split
16	532 12 37-40	Spring Cprsn Plate SW 1.310 Ga
17	532 12 39-76	Nut Lock 1/4 Lge Flg Gr 5 Zinc
21	532 17 18-52	Bolt Shoulder 5/16-18 Unc-2A
22	873 80 05-00	Nut Hex Lock w/Ins 5/16-18
24	819 17 19-12	Washer 17/32 X 1-3/16 X 12 Ga.
25	532 12 70-18	Bolt Shoulder 5/16-18 X 62

NOTE: All component dimensions given in U.S. inches.
1 inch = 25.4 mm

REPAIR PARTS

TRACTOR- -MODEL NO. ICT15A (JICTH15B) PRODUCT NO. 954 13 00-49

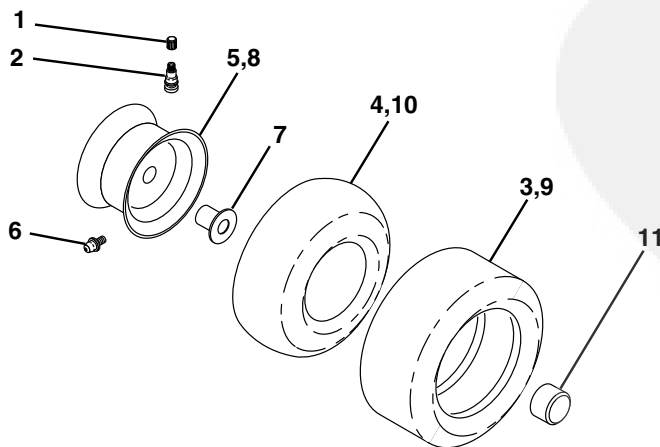
DECALS



KEY NO.	PART NO.	DESCRIPTION
1	532 14 54-98	Decal Read Owner's Manual Sym
2	532 17 08-46	Decal Hp Engine
3	532 17 61-68	Decal Hood Rh
4	532 17 61-69	Decal Hood Lh
5	532 15 22-62	Decal Grille Logo
6	532 12 61-87	Decal 100 DBA
7	532 16 29-27	Decal Hood Insert
8	532 14 54-37	Decal Europe Stand Ce
9	532 14 17-61	Decal Fender Logo
10	532 14 50-05	Decal Bat Dan/Poi P/L Sym Wpn
11	532 14 54-94	Decal Mower Cut Finger Symbol
12	532 15 97-37	Decal Brake/Clutch Symbol Lt
13	532 16 69-59	Decal Warn Back Plate CRD

KEY NO.	PART NO.	DESCRIPTION
14	532 15 97-36	Decal Chassis Hot Muffler
15	532 16 69-61	Decal Oper Bag Presence CRD
16	532 16 25-98	Decal Drawbar Load Limit
17	532 14 08-37	Decal Saddle Brake Parking
18	532 17 05-65	Decal Ins Strg Whl
19	532 17 06-54	Decal Bagger Top CRD Sup.Vac
20	532 16 69-60	Decal Bypass
21	532 16 62-86	Decal Deck Sch 92 CRD
—	532 13 83-11	Decal Lift Handle
—	532 17 12-37	Pad Footrest
—	532 17 62-08	Manual Operator's (Euro)
—	532 17 62-09	Manual Operator's (Scand)

WHEELS & TIRES

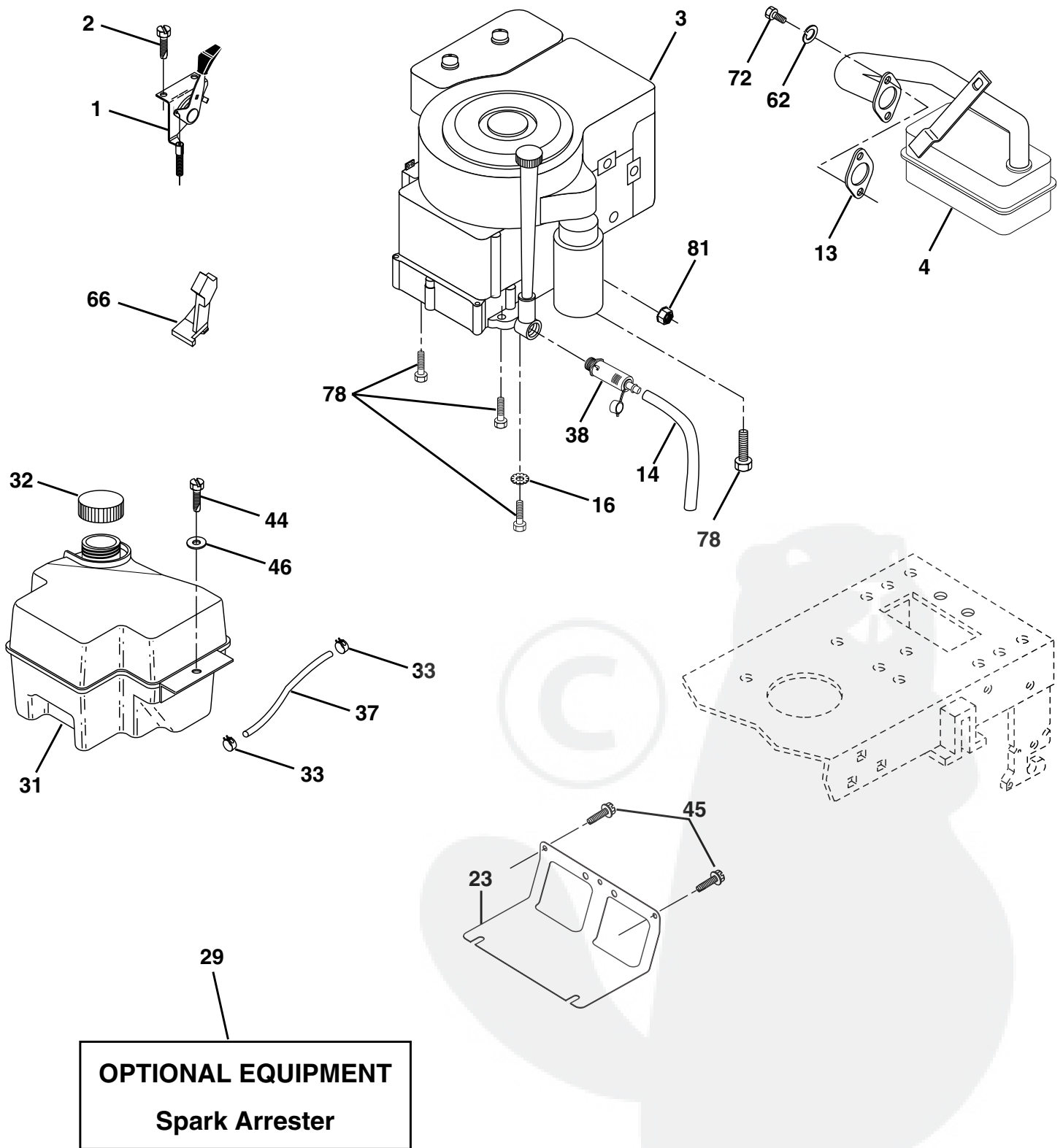


KEY NO.	PART NO.	DESCRIPTION
1	532 05 91-92	Cap Value Tire
2	532 06 51-39	Stem Value
3	532 10 62-22	Tire F Ts 15 X 6 0 - 6 Service
4	532 05 99-04	Tube Inner Front #35060
5	532 13 83-36	Rim Asm 6"front Silver Service
6	532 12 49-57	Fitting Grease
7	532 12 49-59	Bearing Flange
8	532 13 83-37	Rim Asm 8"rear Silver Service
9	532 13 84-68	Tire R Ts 20 x 8-8 Service
10	532 12 49-26	Tube Rear 9 5 X 8 Service
11	532 17 50-39	Cap Axle Blk 1 50 X 1 00
--	532 14 43-34	Sealant, Tire (10 oz. tube)

NOTE: All component dimensions given in U.S. inches
1 inch = 25.4 mm

REPAIR PARTS

TRACTOR- -MODEL NO. ICT15A (JICTH15B) PRODUCT NO. 954 13 00-49
ENGINE



REPAIR PARTS

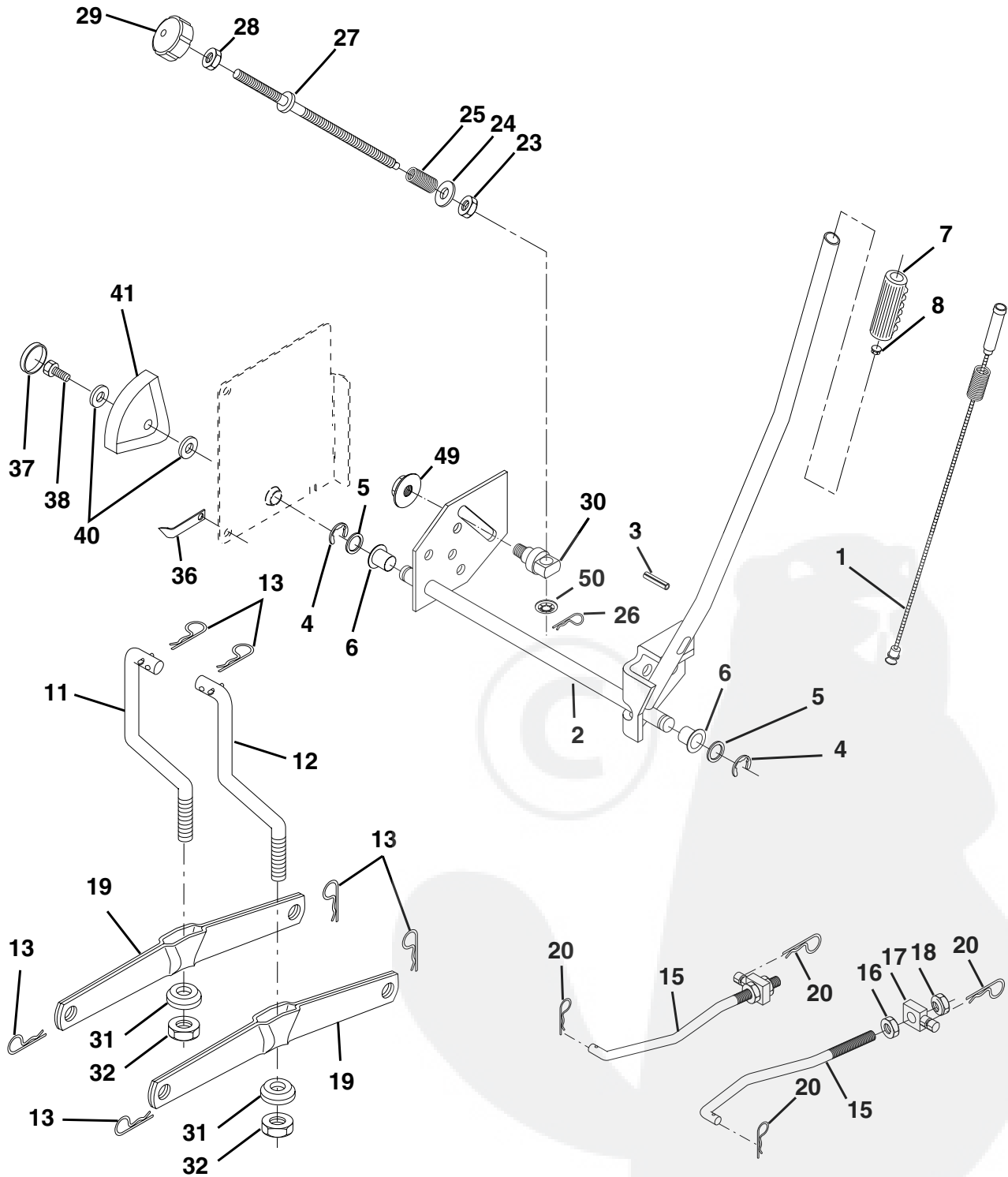
TRACTOR- -MODEL NO. ICT15A (JICTH15B) PRODUCT NO. 954 13 00-49
ENGINE

KEY NO.	PART NO.	DESCRIPTION
1	532 17 08-65	Control Throt /Ch Lh
2	817 72 04-10	Screw Hex Thd Cut 1/4-20x5/8 T
3	-----	Engine Briggs Model 287707 (Order Parts from Engine Manufacturer)
4	532 13 73-52	Muffler Exhaust B&S Lt
13	532 16 52-91	Gasket 1 313 Id Tin Plated
14	532 14 84-56	Tube Drain Oil Easy
16	811 05 06-00	Washer Lock Ext Tooth 3/8
23	532 16 98-37	Shield Browning/Debris Guard
29	532 13 71-80	Arrestor Spark
31	532 17 46-42	Tank Fuel
32	532 14 05-27	Cap Asm Fule Top Vent N/Lany
33	532 12 34-87	Clamp Hose Blk
37	532 13 70-40	Line Fuel 20"
38	532 14 83-15	Plug Drain Oil Easy
44	817 67 04-12	Screw Hexwsh Thdrol 1/4-20x3/4
45	817 00 06-12	Screw Hexwsh Thdr 3/8-16 x 3/4
46	819 09 14-16	Washer 9/32 X 7/8 X 16ga
62	810 04 05-00	Washer Lock Hvy Hlcl Spr 5/16
66	532 12 79-51	Stop Throttle 3000 Rpm
72	871 07 05-12	Screw Hexhd Cap 5/16-18x3/4
78	817 06 06-20	Screw 3/8-16x1-1/4 Smgml Tap/R
81	873 51 04-00	Nut Keps Hex 1/4-20 Unc

NOTE: All component dimensions given in U.S. inches
1 inch = 25.4 mm

REPAIR PARTS

TRACTOR- -MODEL NO. ICT15A (JICTH15B) PRODUCT NO. 954 13 00-49
MOWER LIFT



REPAIR PARTS

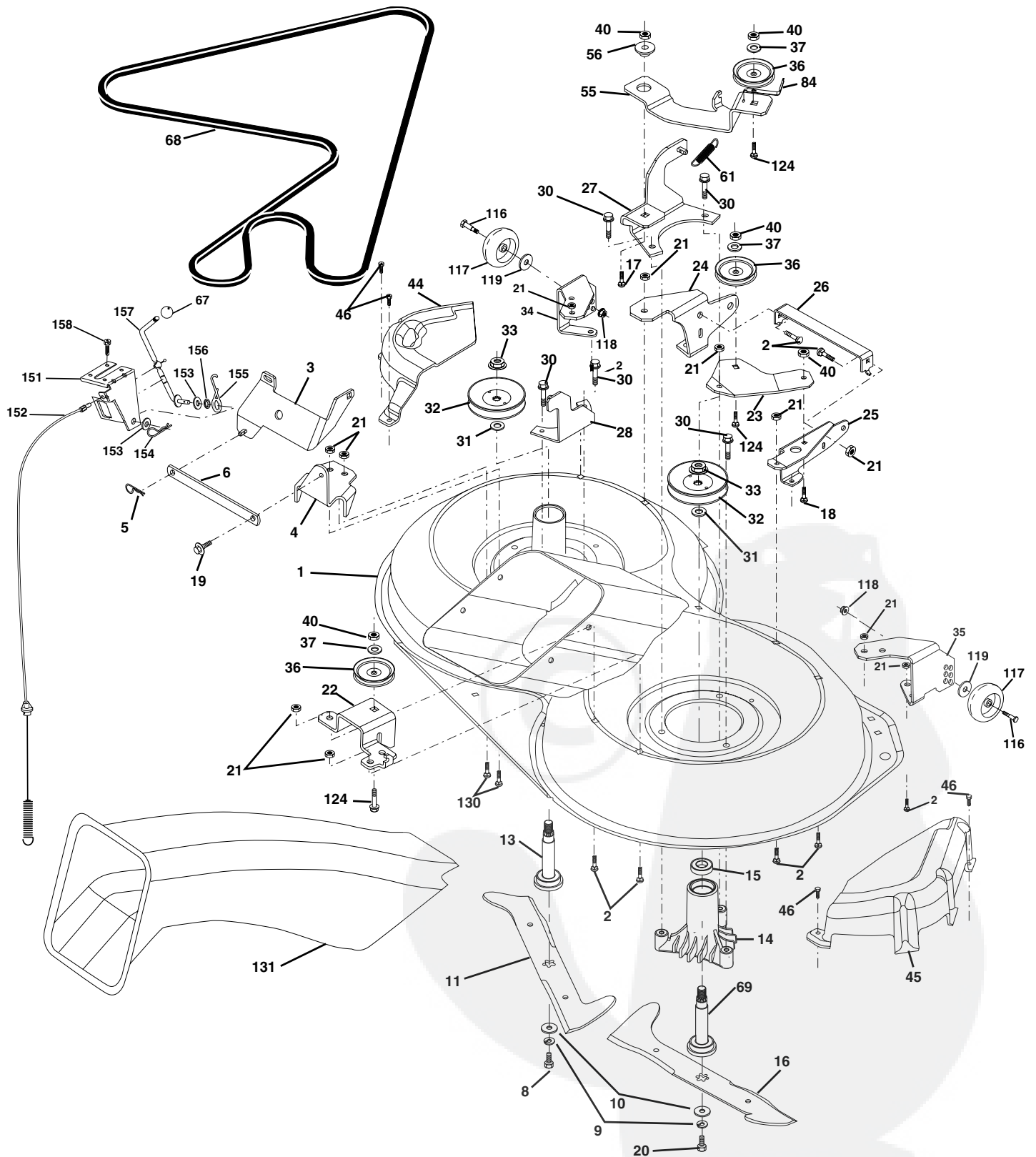
TRACTOR- -MODEL NO. ICT15A (JICTH15B) PRODUCT NO. 954 13 00-49
MOWER LIFT

KEY NO.	PART NO.	DESCRIPTION
1	532 15 94-60	Washer Asm Inner Spring W/Plunger
2	532 15 94-71	Shaft Asm. Lift
3	532 10 57-67	Pin Groove
4	812 00 00-02	E Ring #5133-62
5	819 21 16-21	Washer 21/32 x 1 x 21 Ga.
6	532 12 01-83	Bearing Nylon
7	532 12 56-31	Grip Handle
8	532 12 45-26	Button Plunger
11	532 16 58-29	Link Asm Lift L.H.
12	532 16 58-31	Link Asm Lift R.H.
13	532 12 46-70	Retainer Spring
15	532 17 32-88	Link Front
16	873 35 08-00	Nut Jam Hex 1/2-13 Unc
17	532 13 01-71	Trunnion Blk Zinc
18	873 80 08-00	Nut Lockwasher 1/2-13 Unc
19	532 13 98-68	Arm Suspension Mower
20	532 16 35-52	Retainer Spring
23	532 11 08-07	Nut Special
24	819 13 10-16	Washer 13/32 x 5/8 x 16 Ga.
25	532 12 48-74	Spring 2-1/8
26	532 16 94-84	Retainer Clip
27	532 12 69-71	Rod Adj Lift Zinc
28	873 35 06-00	Nut Hex Jam 3/8-16 Unc
29	532 13 80-57	Knob Inf 3/8-16 unc
30	532 15 02-33	Trunnion Infin Height
31	532 16 98-65	Bearing, Pvt. Lift.
32	873 54 06-00	Nut Crownlock 3/8-24
36	532 15 50-97	Pointer Height Indicator
37	532 12 39-35	Plug Hole Blk
38	817 06 05-16	Screw 5/16-18 x 1 Smgml Tap/R
40	819 11 24-10	Washer 11/32 x 1-1/2 x 10 Ga
41	532 12 39-34	Scale Ind Height Blk
49	532 14 52-12	Nut Hex flange lock
50	532 11 04-52	Nut Push Phos & Oil

NOTE: All component dimensions given in U.S. inches
1 inch = 25.4 mm

REPAIR PARTS

TRACTOR- -MODEL NO. ICT15A (JICTH15B) PRODUCT NO. 954 13 00-49
MOWER



REPAIR PARTS

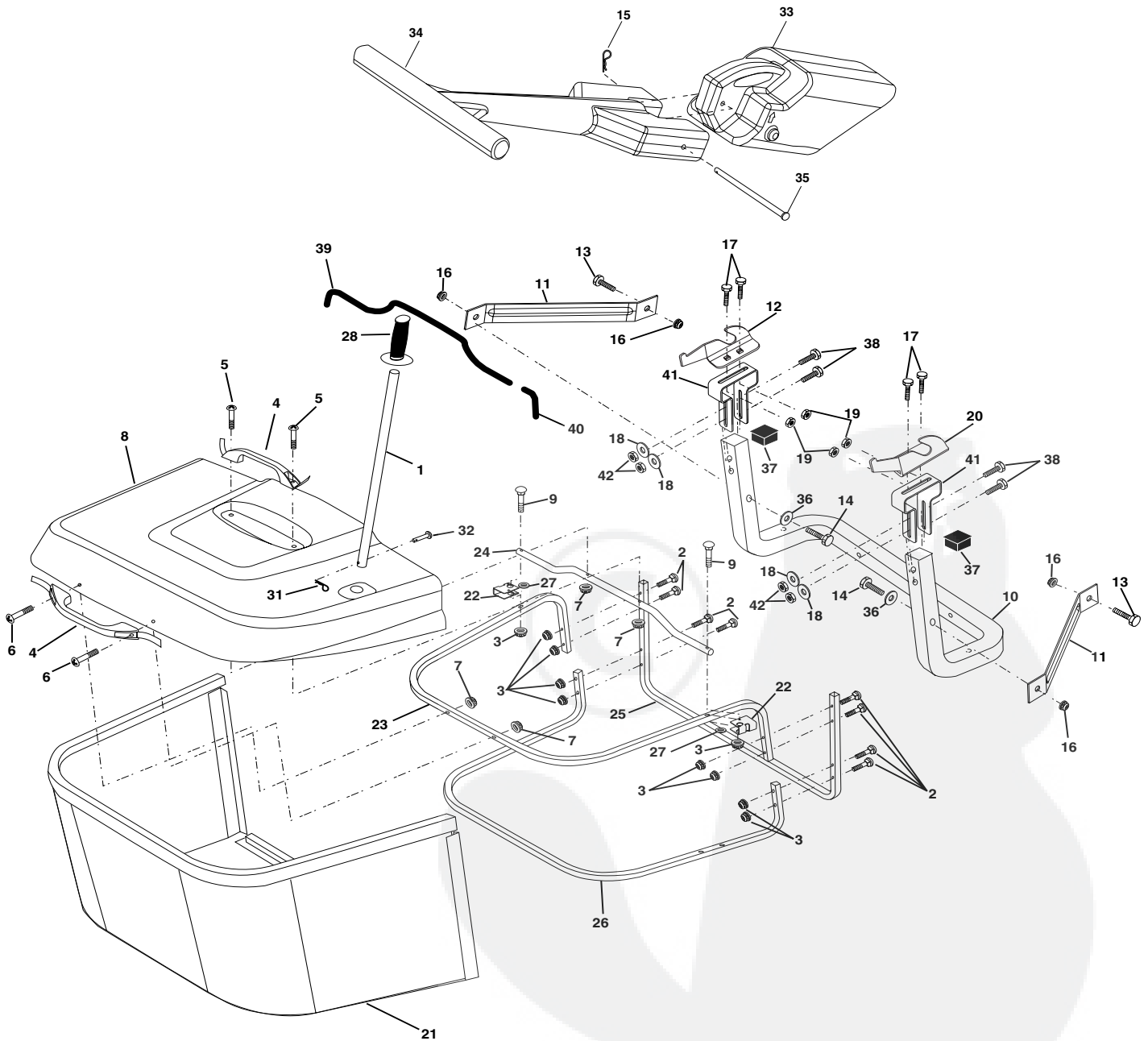
TRACTOR- -MODEL NO. ICT15A (JICTH15B) PRODUCT NO. 954 13 00-49
MOWER

KEY NO.	PART NO.	DESCRIPTION	KEY NO.	PART NO.	DESCRIPTION
1	532 16 55-52	Housing Asm. Mower	40	873 68 06-00	Nut Crownlock 3/8-16 Unc
2	872 14 05-06	Bolt Rdhd Sqnk 5/16-18 Unc x 3/4	44	532 16 57-24	Cover Mandrel Lh
3	532 16 55-69	Bracket Asm. S-Bar Chass	45	532 16 55-56	Cover Mandrel Rh
4	532 16 55-58	Bracket Bar Sway Deck	46	532 13 77-29	Screw Thd Roll 1/4-20 x 5/8
5	532 12 46-70	Retainer Spring	55	532 16 54-45	Arm Idler
6	532 16 55-57	Bar Sway	56	532 16 57-23	Spacer Retainer
8	532 85 08-57	Bolt 3/8-24 x 1.25 Gr8 Patched	61	532 16 59-45	Spring Tension Belt
9	810 03 06-00	Washer Lock Hvy 3/8 Unplated	67	532 10 69-32	Knob Rd 3/8-16 Plstc Thds Blk
10	532 14 02-96	Washer Hard Blade Mower vented	68	532 16 55-55	Hex-Belt Mower
11	532 17 00-37	Blade 3-1 Lh	69	532 16 54-82	Shaft Asm W/Lwr Brg Rh Thd CRD
13	532 13 76-45	Shaft Asm. W/Lower Bearing	84	532 15 60-85	Keeper Belt Idler
14	532 12 87-74	Housing Mandrel Vented (Machd)	116	532 13 76-44	Bolt Shoulder
15	532 11 04-85	Bearing Ball Mandrel	117	532 13 39-57	Wheel Gauge Donut Wide
16	532 17 00-38	Blade 3-1 Rh	118	873 93 06-00	Nut Centerlock 3/8-16 Unc
17	872 14 06-10	Bolt Carriage 3/8-16 x 1-1/4	119	819 12 14-14	Washer 3/8 x 7/8 x 14 Ga.
18	872 11 06-08	Bolt Rdhd Sqnk 3/8-16 x 1 Gr5	124	872 11 06-12	Bolt Carr Sh 3/8-16 x 1-1/2 Gr5
19	532 13 28-27	Bolt Shoulder 5/16-18 Thd Form	130	872 11 05-06	Bolt Rdhdsqnk 5/16-18 Unc x 3/4
20	532 16 54-84	Bolt 3/8-24 x 1.25 Gr8 Ptch Lhthd	131	532 16 56-61	Chute Bagger
21	873 68 05-00	Nut Crown Lock 5/16-18	151	532 16 96-70	Bracket Clutch Cable
22	532 16 52-43	Bracket Idler RR	152	532 17 60-74	Clutch Cable
23	532 16 54-46	Bracket Idler RF	153	532 16 96-74	Washer Flat 3/8" Tupe B
24	532 16 52-42	Bracket Suspension LF	154	532 16 96-75	Spring Retainer
25	532 16 52-44	Bracket Suspension RF	155	532 16 96-71	Spring Retention Lvr Cltch Cab
26	532 16 52-37	Brace Support Susp Frt CRD	156	532 16 96-72	Spacer Clutch Cable
27	532 16 55-68	Bracket Asm. Susp RR	157	532 16 96-69	Rod Clutch Cable 3/8"
28	532 16 55-67	Bracket Asm. Susp LR	158	817 72 04-10	Screw Hex Thd Cut 1/4-20 x 5/8
30	532 15 77-22	Screw Thd Rolling Washer Head	-	532 13 07-94	Mandrel Asm Service
31	532 12 99-63	Washer Spacer Mower Vented	-	532 16 55-79	Mandrel Asm CRD Lh Threads SVC
32	532 15 35-31	Mandrel Pulleys	-	532 17 35-49	Deck Mower Complete
33	532 13 72-66	Nut Flg Top Lock Cntr B 9/16			
34	532 16 52-39	Bracket Gauge Wheel Lf			
35	532 16 52-38	Bracket Gauge Wheel Rf			
36	532 14 67-63	Pulley Idler V-Groove Dim 4.25			
37	819 13 13-16	Washer 11/32 x 13/16 x 16 Ga			

NOTE: All component dimensions given in U.S. inches
1 inch = 25.4 mm

REPAIR PARTS

TRACTOR- -MODEL NO. ICT15A (JICTH15B) PRODUCT NO. 954 13 00-49
BAGGER



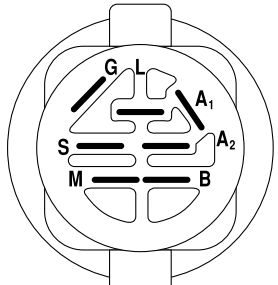
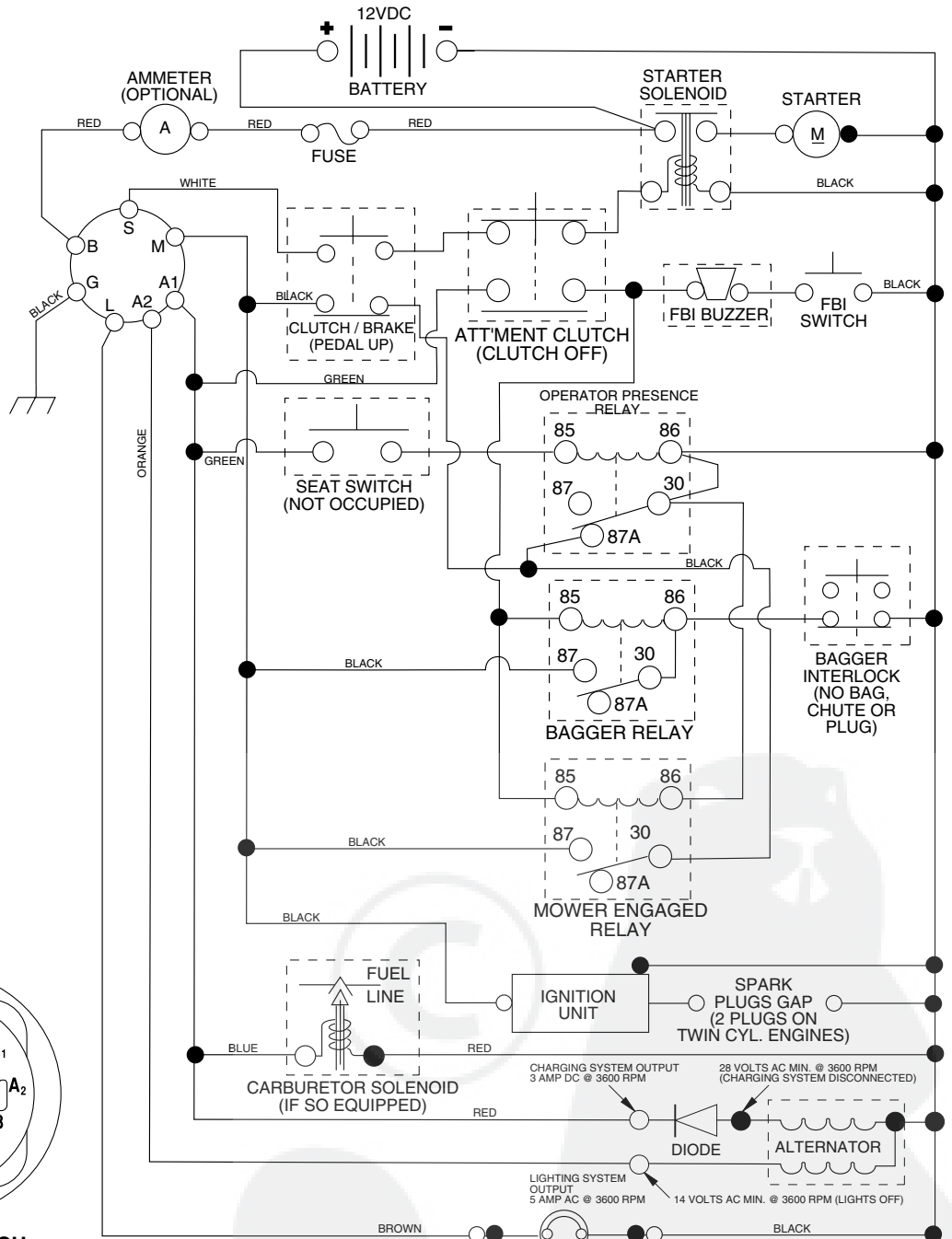
REPAIR PARTS

TRACTOR- -MODEL NO. ICT15A (JICTH15B) PRODUCT NO. 954 13 00-49
BAGGER

KEY NO.	PART NO.	DESCRIPTION
1	532 17 06-90	Tube Handle Bagger CRD
2	872 14 04-16	Bolt Carriage 1/4-20 x 2.0 Gr.5
3	532 12 39-76	Nut Lock 1/4 Lge Flg Gr. 5 Zinc
4	532 16 99-16	Handle Grab Plastic Black W/Lvrs
5	874 98 10-24	Screw Pan Head #10-24 x 1.50 Blk
6	874 98 10-32	Screw Pan Hd
7	873 40 10-00	Nut Wiz Lock Hex Serr/Hd 10-24
8	532 16 88-71	Cover Bagger Plastic CRD
9	872 14 04-18	Bolt Carriage 1/4-20 x 2.25d x Gr.5
10	532 16 96-88	Tube Support Bagger CRD
11	532 16 57-19	Bracket Support Upper Bag CRD
12	532 16 96-85	Bracket Horiz Adj. Bagger Lh CRD
13	872 11 06-06	Bolt Rdhd Sht Sqnk 3/8-16 x 3/4
14	874 52 06-40	Bolt Hex 3/8-16 x 2-1/2 Gr.5
15	532 12 46-70	Retainer Spring
16	873 90 06-00	Nut Lock Flg 3/8-16 Unc
17	872 14 05-06	Bolt Rdhd Sht Sqnk 5/16 -18 Unc x 3/4
18	819 11 12-16	Washer 11/32 x 3/4 x 16
19	873 90 05-00	Nut Lock Hex Flange 5/16-18
20	532 16 96-84	Bracket Horiz Adj Bagger RH CRD
21	532 16 57-80	Bag Asm CRD
22	532 16 57-81	Bracket Side Bagger CRD
23	532 16 57-82	Tube Upper Bagger CRD
24	532 16 57-83	Tube Pivot Bagger CRD
25	532 16 57-84	Tube Front Bagger CRD
26	532 16 57-85	Tube Lower Bagger CRD
27	532 16 96-92	Bushing Snap
28	532 17 06-96	Grip Handle Black
31	532 12 47-88	Retainer Spring 1" Zinc/Cad
32	532 12 68-75	Rivet Rd Hd Drilled 3/8 Dia
33	532 16 55-71	Plug Mulch
34	532 16 55-70	Handle Mulcher 92/107 CRD
35	532 16 55-72	Pin Mulcher 92/107 CRD
36	819 13 20-16	Washer 13/32 x 1-1/4 x 16 Ga
37	532 17 54-01	Plug Support
38	872 01 05-20	Bolt 5/16-18 x 2.50
39	532 16 99-99	Seal 26"
40	532 17 00-00	Seal 7"
41	532 16 96-83	Bracket Vert Adj. Bagger CRD
42	873 80 05-00	Nut Lock Hxw/Ins 5/16-18

NOTE: All component dimensions given in U.S. inches
1 inch = 25.4 mm

TRACTOR- -MODEL NO. ICT15A (JICTH15B) PRODUCT NO. 954 13 00-49 SCHEMATIC



IGNITION SWITCH

POSITION	CIRCUIT	"MAKE"
OFF	M+G+A1	NONE
RUN/LIGHT	B+A1	A2+L
RUN	B+A1	NONE
START	B + S + A1	NONE

WIRING INSULATED CLIPS
NOTE: IF WIRING INSULATED CLIPS WERE REMOVED FOR SERVICING OF UNIT, THEY SHOULD BE REPLACED TO PROPERLY SECURE YOUR WIRING.

● NON-REMOVABLE CONNECTIONS

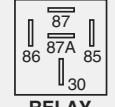
○ REMOVABLE CONNECTIONS

PTO SWITCH

POSITION	CIRCUIT
OFF	C + G, B + H
ON	C + F, B + E, A + D

HEADLIGHTS

NOTE
YOUR TRACTOR IS EQUIPPED WITH A SPECIAL ALTERNATOR SYSTEM. THE LIGHTS ARE NOT CONNECTED TO THE BATTERY, BUT HAVE THEIR OWN ELECTRICAL SOURCE. BECAUSE OF THIS, THE BRIGHTNESS OF THE LIGHTS WILL CHANGE WITH ENGINE SPEED. AT IDLE THE LIGHTS WILL DIM. AS THE ENGINE IS SPEEDED UP, THE LIGHTS WILL BECOME THEIR BRIGHTEST.



RELAY

