

ILLUSTRATED PARTS BREAKDOWN

PARTNER

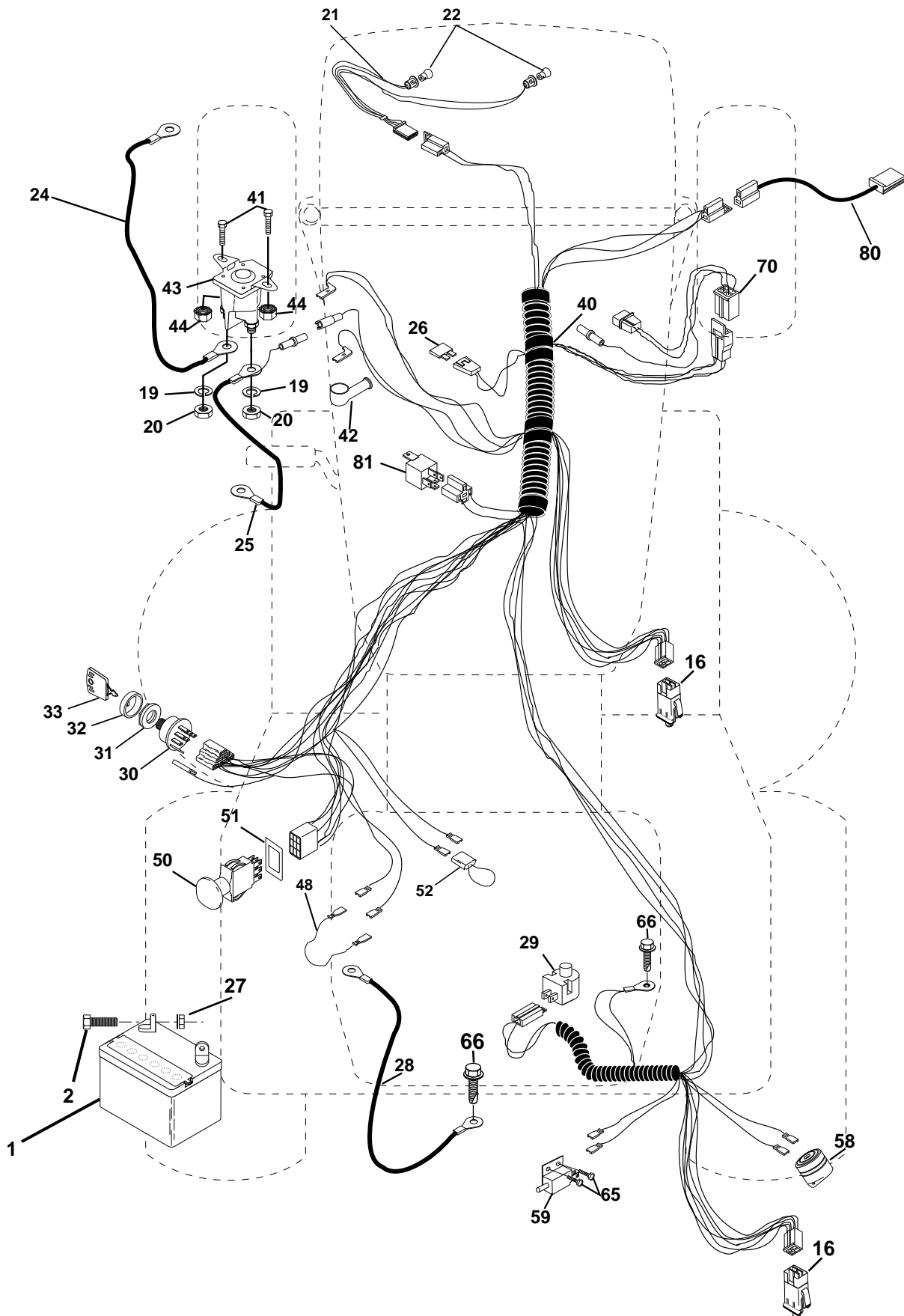
14.5 HP LAWN TRACTOR

MODEL NUMBER 145CRD (P145HCRDA)

PRODUCT NUMBER 954-12 00-24

REPAIR PARTS

TRACTOR- -MODEL NO. 145HCRD (P145HCRDA), PRODUCT NO. 954 12 00-24
ELECTRICAL



REPAIR PARTS

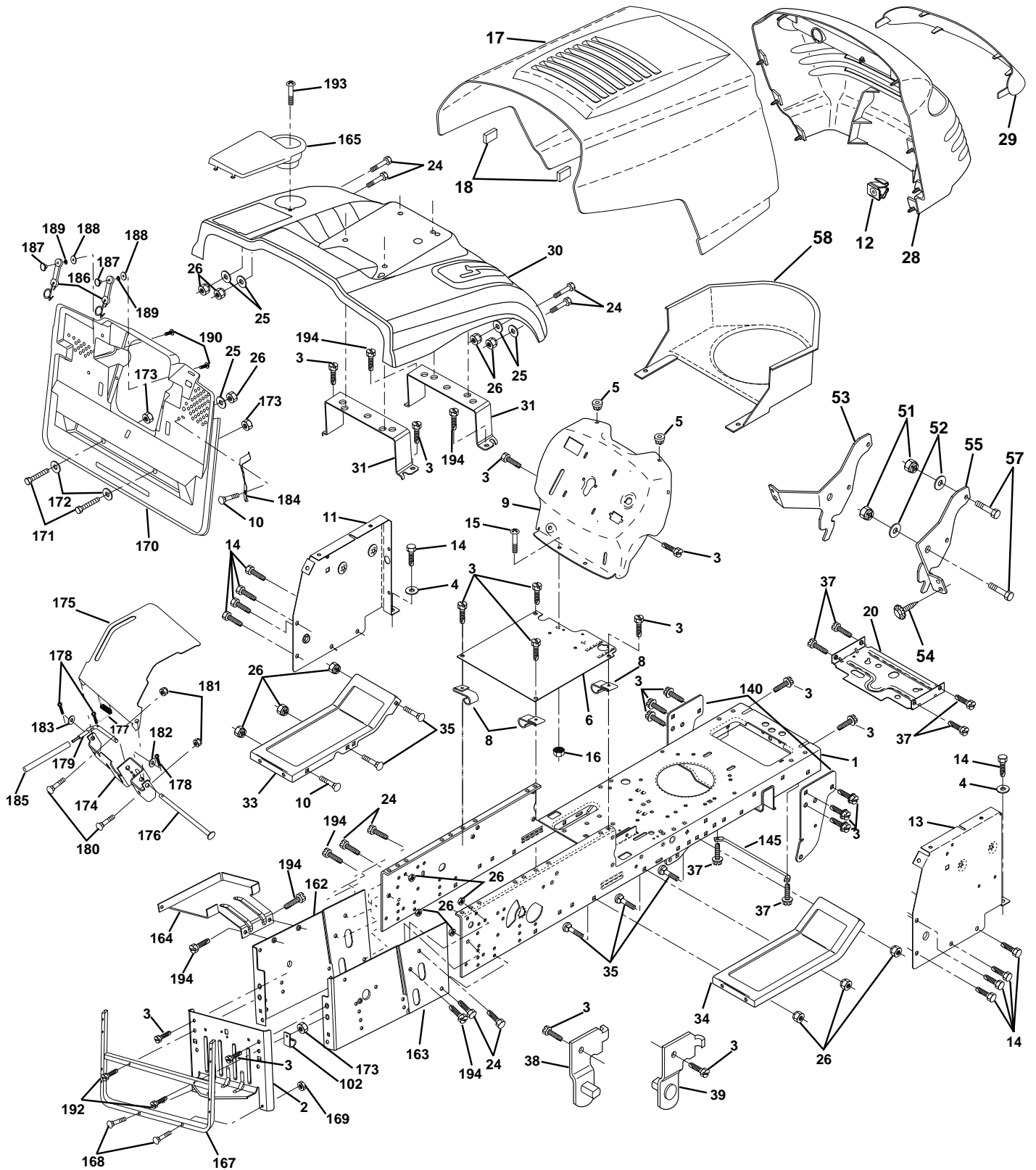
TRACTOR- -MODEL NO. 145HCRD (P145HCRDA), PRODUCT NO. 954 12 00-24
ELECTRICAL

| KEY NO. | PART NO. | DESCRIPTION |
|---------|-----------|-----------------------------------|
| 1 | 532144925 | Battery 12 Volt 25 AMP Wet |
| 2 | 874760412 | Bolt Hex Hd 1/4-20 Unc X 3/4 |
| 16 | 532153664 | Switch Interlock Push-In |
| 19 | 810090400 | Washer Lock 1/4 |
| 20 | 873350400 | Nut Jam Hex 1/4-20 Unc |
| 21 | 532166181 | Harness Asm Light W/4152J |
| 22 | 532004152 | Bulb Light #1156 |
| 24 | 532124780 | Cable Starter 6Ga 11" Red |
| 25 | 532165987 | Cable Battery Crd 56" Red |
| 26 | 532166180 | Fuse 15 Amp |
| 27 | 873510400 | Nut Keps Hex 1/4-20 Unc |
| 28 | 532127725 | Cable Ground 6Ga 18" Black |
| 29 | 532160784 | Switch Plunger Normal Op Olive |
| 30 | 532140301 | Switch Ignition 4Pos W/Lights |
| 31 | 532124211 | Nut Ignition #125 |
| 32 | 532141226 | Cover Switch Ignition #121 |
| 33 | 532122147 | Key Ign Molded Indak |
| 40 | 532166158 | Harness Ign Crd Elect |
| 41 | 871110408 | Bolt Flk Fin Hex 1/4-20 Unc X 1/2 |
| 42 | 532131563 | Cover Terminal Red |
| 43 | 532145673 | Solenoid |
| 44 | 873640400 | Nut Keps Blk Hex 1/4-20 Unc |
| 48 | 532140844 | Adapter Ammeter Rectangular |
| 50 | 532154959 | Switch PTO 3PDT Black Delta 96 |
| 51 | 532140405 | Ring Retainer PTO |
| 52 | 532141940 | Protection Wire Loop |
| 58 | 532165943 | Buzzer Crd |
| 59 | 532166299 | Switch FBI CRD |
| 65 | 817211008 | Screw Slftp #10-16 x 1/2 Ty-Ab |
| 66 | 817490608 | Screw Thdrol 3/8-16 x 1/2 Ty-Tt |
| 70 | 532166668 | Harness Engine B&S Reg W/AFTS0 |
| 80 | 532146685 | Harness Clutch EVX |
| 81 | 532109748 | Relay Asm |

NOTE: All component dimensions given in U.S. inches.
1 inch = 25.4 mm.

REPAIR PARTS

TRACTOR- -MODEL NO. 145HCRD (P145HCRDA), PRODUCT NO. 954 12 00-24
CHASSIS AND ENCLOSURES



REPAIR PARTS

TRACTOR- -MODEL NO. 145HCRD (P145HCRDA), PRODUCT NO. 954 12 00-24

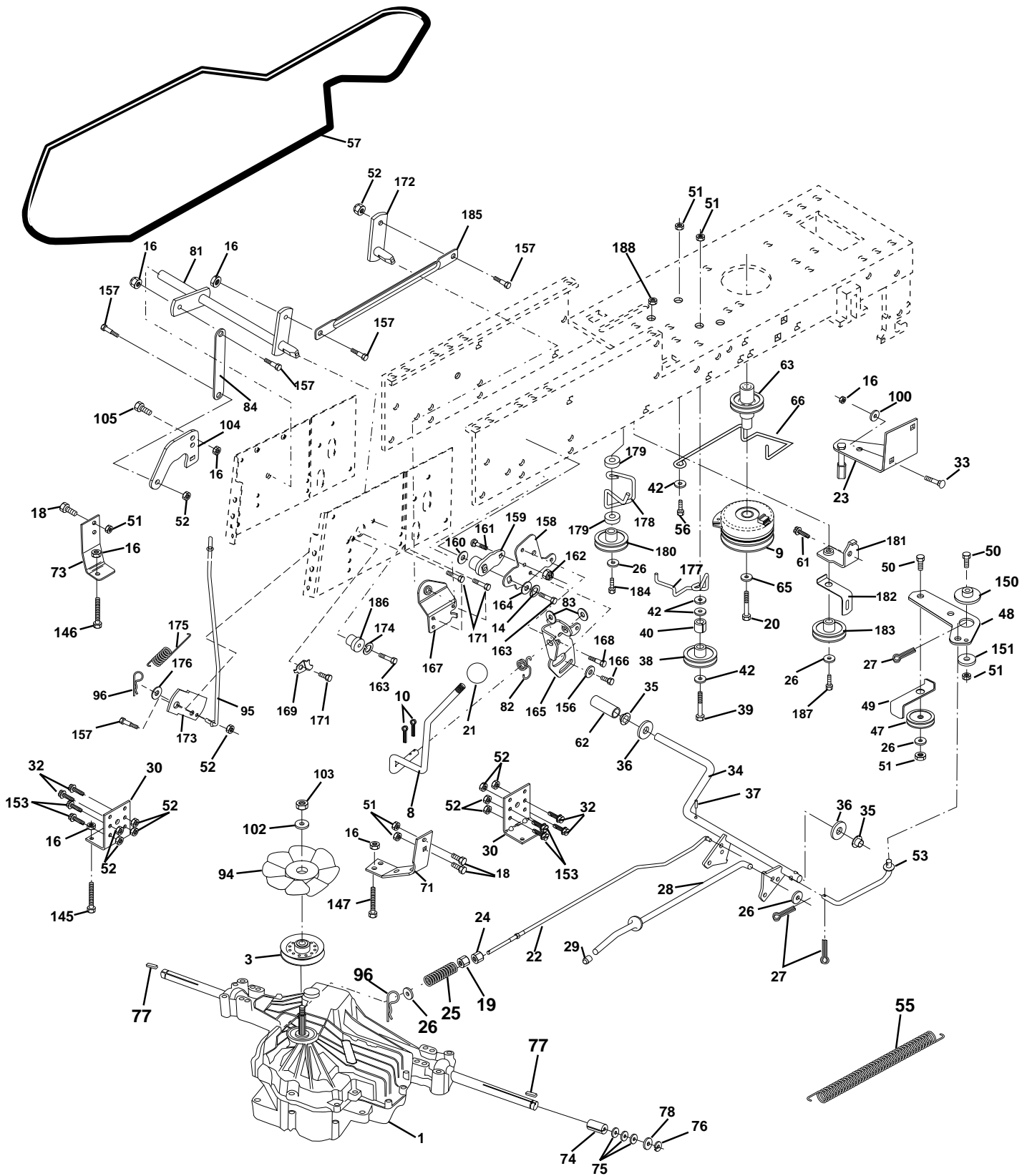
CHASSIS AND ENCLOSURES

| KEY NO. | PART NO. | DESCRIPTION | KEY NO. | PART NO. | DESCRIPTION |
|---------|-----------|--|---------|-----------|----------------------------------|
| 1 | 532165480 | Chassis Assembly | 58 | 532150127 | Duct Air Engine Pl/Lt |
| 2 | 532165606 | Drawbar | 102 | 532124996 | Clip Fuel Line 13/32 Mtg Hole |
| 3 | 817490612 | Screw, Thd. Roll. 3/8-16 x 3/4 | 140 | 532158418 | Bracket Front Suspension |
| 4 | 819131216 | Washer 13/32 x 3/4 x 16 Gauge | 145 | 532156524 | Rod Pivot Chassis/Hood |
| 5 | 532155272 | Bumper Hood/Dash | 162 | 532165672 | Bracket Exten Chassis Lh CRD |
| 6 | 532155923 | Saddle | 163 | 532165673 | Bracket Exten Chassis Rh CRD |
| 8 | 532126471 | Clip Insulator 13/32 Mtg. Hole | 164 | 532165605 | Support Battery CRD |
| 9 | 532168789 | Dash | 165 | 532168407 | Cover Battery CRD Lt |
| 10 | 872140608 | Bolt, Carriage 3/8-16 x 3/4 | 167 | 532165779 | Support Asm. Backplate WLDMNT |
| 11 | 532155927 | Panel, Dash, L.H. | 168 | 872050412 | Bolt, RDHD SHT NK 1/4-20 x 1-1/2 |
| 12 | 532145660 | Clip Tinnerman Grille P/L | 169 | 532123976 | Nut, Lock 1/4 LGE FLG Gr. 5 Zinc |
| 13 | 532157262 | Panel, Asm. Dash R.H. | 170 | 532165607 | Cover, Backplate Plastic Black |
| 14 | 817490608 | Screw Thdrol 3/8-16 x 1/2 | 171 | 874520640 | Bolt Hex 3/8-16 x 2-1/2 Gr 5 |
| 15 | 874180512 | Screw, Machine, Truss Head 5/16-18 UNC x 3/4 | 172 | 819132016 | Washer 13/32 x 1-1/4 x 16 Ga. |
| 16 | 873510500 | Nut | 173 | 873510600 | Nut, Keps Hex 3/8-16 UNC |
| 17 | 532160382 | Hood Assembly | 174 | 532165939 | Bracket Switch FBI CRD |
| 18 | 532126938 | Bumper Hood | 175 | 532166212 | Guard Door Rear CRD |
| 20 | 532156437 | Plate Mtg. Battery/Fuel Tank | 176 | 532128600 | Pin Hinge Pivot |
| 24 | 874780616 | Bolt | 177 | 532132796 | Spring Bagger Top LH Black |
| 25 | 819131312 | Washer 13/32 x 13/16 x 12 Gauge | 178 | 876020312 | Pin Cotter 3/32 x 3/4 Cad Zinc |
| 26 | 873800600 | Nut | 179 | 532165942 | Rod Pivot FBI CRD |
| 28 | 532157375 | Grille PL | 180 | 874760516 | Bolt Hex HD 5/16-18 UNC x 1 |
| 29 | 532168154 | Lens, Grille | 181 | 873680500 | Nut Crownlock 5/16-18 |
| 30 | 532168407 | Fender | 182 | 532138200 | Washer .385 x .625 x 11 Ga. |
| 31 | 532165156 | Bracket, Fender Support | 183 | 819131316 | Washer 13/32 x 13/16 x 16 Ga. |
| 33 | 532147203 | Footrest, L.H. | 184 | 532166139 | Bracket Actuator Bagger CRD |
| 34 | 532147202 | Footrest, R.H. | 185 | 532165940 | Tube Lever Switch FBI CRD |
| 35 | 872110606 | Bolt | 186 | 532160793 | Latch Asm Multch Bagger |
| 37 | 817490508 | Screw Thdrol 5/16-18 x 1/2 TYT | 187 | 532125004 | Nut Weld .327/.304 #10-24 |
| 38 | 532139886 | Pivot Bracket Assembly, L.H. | 188 | 819061216 | Washer #10 |
| 39 | 532139887 | Pivot Bracket Assembly, R.H. | 189 | 810071000 | Washer Lock #10 |
| 51 | 873800400 | Nut Lock w/Insert 1/4-20 UNC | 190 | 871161010 | Screw Truss Hd Phil 10-24 x 5/8 |
| 52 | 819091416 | Washer 9/32 x 7/8 x 16 Ga. | 192 | 817490624 | Screw Thdrol 3/8-16 x 1-1/2 |
| 53 | 532144697 | Bracket Grille Lh | 193 | 817720410 | Screw Hex Thd Cut 1/4-20 x 5/8 |
| 54 | 532161464 | Screw Hex Wshd 8-18 x 7/8 | 194 | 817060612 | Screw 3/8-16 x .75 |
| 55 | 532144696 | Bracket Grille Rh | -- | 532005479 | Plug, Button |
| 57 | 874780412 | Bolt, Fin Hex 1/4-20 UNC x .75 | | | |

NOTE: All component dimensions given in U.S. inches.
1 inch = 25.4 mm.

REPAIR PARTS

TRACTOR- -MODEL NO. 145HCRD (P145HCRDA), PRODUCT NO. 954 12 00-24
DRIVE



REPAIR PARTS

TRACTOR- -MODEL NO. 145HCRD (P145HCRDA), PRODUCT NO. 954 12 00-24

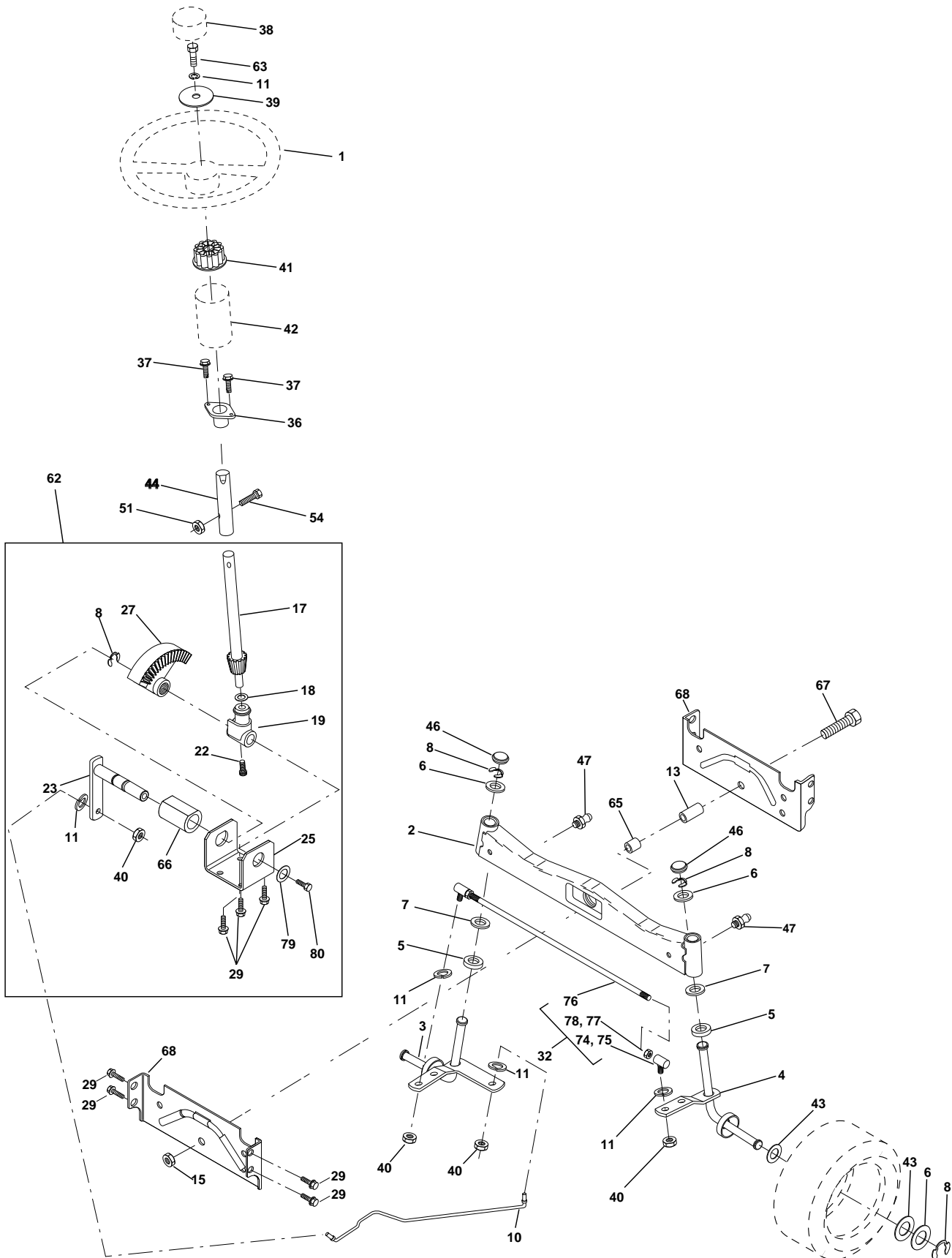
DRIVE

| KEY NO. | PART NO. | DESCRIPTION | KEY NO. | PART NO. | DESCRIPTION |
|---------|-----------|--|---------|-----------|------------------------------------|
| 1 | ----- | Transaxle Hydro Gear 331-0650 (Order parts from transaxle manufacturer) | 78 | 532121748 | Washer 25/32 x 1-5/8 x 16 Ga. |
| 3 | 532143995 | Pulley Hydro 0650 Lt/CRD | 81 | 532165585 | Asm, Shaft |
| 8 | 532165619 | Rod, Shift Fender Adjust Lt | 82 | 532123782 | Spring, Torsion |
| 9 | 532167162 | Clutch Ele EVX 80 W/Hard Brake | 83 | 819171216 | Washer 17/32 x 3/4 x 16 Ga. |
| 10 | 876020416 | Pin, Cotter 1/8 x 1 | 84 | 532165629 | Link, Transaxle |
| 14 | 810040400 | Washer, Lock Hvy Helical | 94 | 532140462 | Fan 7" |
| 16 | 873800500 | Nut, Lock Hex w/Ins 5/16-18 UNC | 95 | 532165935 | Control Asm Bypass Hydro |
| 18 | 874780616 | Bolt Hex 3/8-16 UNC x 1 Gr.5 | 96 | 532124788 | Spring, Retainer 1" |
| 19 | 873800600 | Nut, Lock Hex w/Wsh 3/8-16 UNC | 100 | 819111216 | Washer 11/32 x 3/4 x 16 Ga. |
| 20 | 532150280 | Bolt, Hex 7/16-20 x 4-1/4 5 Ga 1.38 | 102 | 532141322 | Washer, Bellville .50ID x 1.50D |
| 21 | 532106933 | Knob Rd 1/2-13 Plstc Thds Blk | 103 | 873940800 | Nut, Hex Jam Toplock 1/2-20 UNF |
| 22 | 532165688 | Rod, Brake CRD 0650 | 104 | 532140156 | Arm, Control Hydro |
| 23 | 532154978 | Bracket asm Clutch Mtg. EVX 97 | 105 | 871070516 | Screw Cap Hex 5/16 x 18 Unc-1 |
| 24 | 873350600 | Nut | 145 | 874490540 | Bolt Hex FGHD 5/16-18 x Gr 5 |
| 25 | 532106888 | Spring, Rod, Brake | 146 | 874490536 | Bolt Hex FLGHD 5/16-18 x 2-1/4 |
| 26 | 819131316 | Washer 13/32 x 13/16 x 16 Ga. | 147 | 874490524 | Bolt Hex FLGHD 5/16-18 x 1-1/2 |
| 27 | 876020412 | Pin, Cotter 1/8 x 3/4 | 150 | 532165850 | Bushing, Bellcrank Grnd Dr |
| 28 | 532145204 | Rod, Parking Brake | 151 | 819133210 | Washer 13/32 x 2 x 10 Ga. |
| 29 | 532071673 | Cap, Parking Brake | 153 | 874760516 | Bolt Hex Hd 5/16-18 Unc x 1 |
| 30 | 532130807 | Bracket, Mfg. Transaxle | 156 | 532166002 | Washer Srrted 5/16ID x 1.125 |
| 32 | 874760512 | Bolt Hex 5/16-18 UNC x 3/4 | 157 | 532153236 | Bolt Shoulder 5/16-18 Unc 2A |
| 33 | 872140506 | Bolt Rdhd Sqnk 5/16-18 Unc x 3/4 | 158 | 532165589 | Bracket Shift Mount |
| 34 | 532165496 | Shaft, Asm Pedal Foot CRD | 159 | 532165494 | Hub Tapered Flange Shift Lt |
| 35 | 532120183 | Bearing, Nylon | 160 | 819292016 | Washer 29/32 x 1-1/4 x 16 Ga. |
| 36 | 819211616 | Washer 21/32 x 1 x 16 Ga. | 161 | 872140406 | Bolt Rdhd Sqnk 1/4-20 x 3/4 Gr 5 |
| 37 | 532124963 | Pin, Roll 3/16 x 1" | 162 | 873680400 | Nut Crownlock 1/4-20 Unc |
| 38 | 532165936 | Pulley Flat Composite 3.06" | 163 | 874780416 | Bolt Hex Fin 1/4-20 Unc x 1 Gr 5 |
| 39 | 874760644 | Bolt Fin Hex 3/8-16 x 2-3/4 | 164 | 819091010 | Washer 5/8 x .281 x 10 Ga. |
| 40 | 532124965 | Spacer, Split 395 x 59 Bzp | 165 | 532165623 | Bracket Pivot Lever |
| 42 | 819131312 | Washer 13/32 x 13/16 x 12 Ga. | 166 | 532166880 | Screw 5/16-18 x 5/8 |
| 47 | 532127783 | Pulley, Idler, V Groove Plstc | 167 | 532165588 | Bracket Support Shift CRD |
| 48 | 532154407 | Bellcrank Clutch Grnd Drv | 168 | 532165492 | Bolt Shoulder 5/16-18 x .561 |
| 49 | 532123205 | Retainer, Belt Style Spring | 169 | 532165580 | Plate Fastening Lt |
| 50 | 874760624 | Bolt Hex Hd 3/8-16 UNC x 1-1/2 | 171 | 817490608 | Screw Thdrol 3/8-16 x 1/2 Ty-Tt |
| 51 | 873680600 | Nut, Crownlock 3/8-16 UNC | 172 | 532165541 | Link Shift CRD Hydro 0650 |
| 52 | 873680500 | Nut Crownlock 5/16-18 | 173 | 532165934 | Bracket Hydro Bypass CRD |
| 53 | 532105710 | Link, Clutch 7.66 | 174 | 810090400 | Washer Lock 1/4 |
| 55 | 532105709 | Spring, Return, Clutch | 175 | 532165931 | Spring Bypass CRD |
| 56 | 874760620 | Bolt, Hex 3/8-16 UNC x 1-1/4 | 176 | 819070816 | Washer 7/32 x 1/2 x 16 Ga. |
| 57 | 532165632 | V-Belt Kev 112" 0650 CRD | 177 | 532165932 | Keeper Flat Idler 3.06" CRD |
| 61 | 817490612 | Screw, Thdrol 3/8-16 x 3/4 Ty-TT | 178 | 532165933 | Keeper Belt Idler 1.88" CRD |
| 62 | 532124872 | Cover, Pedal | 179 | 532120958 | Washer Sintered |
| 63 | 532145868 | Pulley, Clutch elect EVX 1" | 180 | 532165630 | Pulley, Idler, Flat 1.88"CRD |
| 65 | 810040700 | Washer | 181 | 532165797 | Bracket Idler Ground Drive CRD |
| 66 | 532154778 | Keeper, Belt Engine F-Proof | 182 | 532165634 | Keeper Belt 2.5" Od V-Idler CRD |
| 71 | 532140158 | Strap, Torque, Lh | 183 | 532165626 | Pulley V-Idler 2.50" Od CRD |
| 73 | 532156347 | Strap, Torque, Rh | 184 | 817490644 | Screw Hexwsh Thdrol 3/8-16 x 2-3/4 |
| 74 | 532121199 | Spacer, Split | 185 | 532165587 | Shaft Asm Shifter Frt CRD 0650 |
| 75 | 532121749 | Washer 25/32 x 1-1/4 x 16 Ga. | 186 | 532165614 | Hub Tapered Round CRD |
| 76 | 812000001 | Ring, E | 187 | 817490620 | Screw Thdrol 3/8-16 x 1-1/4 TT |
| 77 | 532123583 | Key, Square | 188 | 532110436 | Bushing Snap Split Blk |

NOTE: All component dimensions given in U.S. inches
1 inch = 25.4 mm

REPAIR PARTS

TRACTOR- -MODEL NO. 145HCRD (P145HCRDA), PRODUCT NO. 954 12 00-24
STEERING ASSEMBLY



REPAIR PARTS

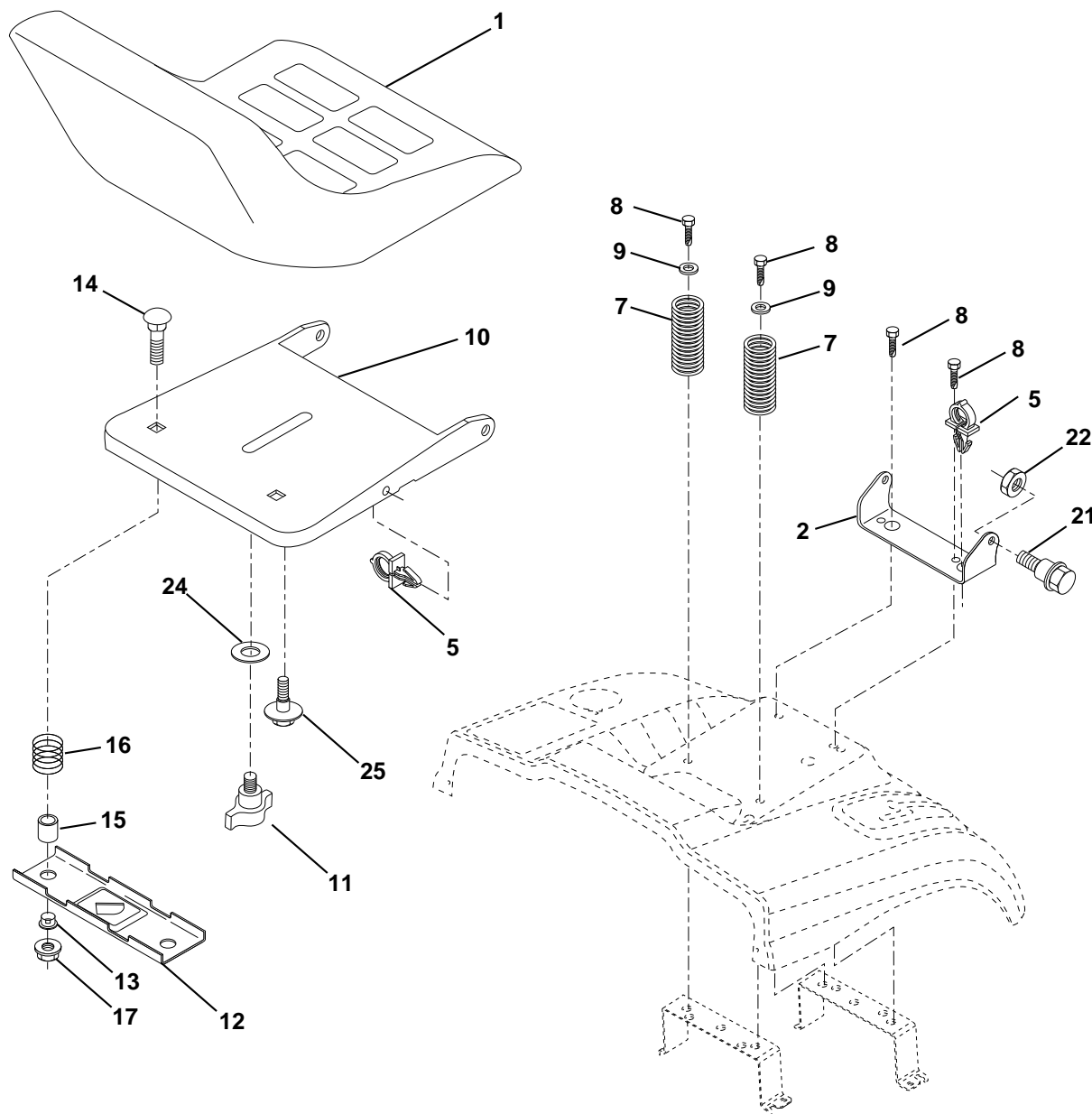
TRACTOR- -MODEL NO. 145HCRD (P145HCRDA), PRODUCT NO. 954 12 00-24
STEERING ASSEMBLY

| KEY NO. | PART NO. | DESCRIPTION |
|---------|-----------|------------------------------------|
| 1 | 532139768 | Steering Wheel |
| 2 | 532137094 | Front Axle Assembly |
| 3 | 532157479 | Spindle Assembly, L.H. |
| 4 | 532157478 | Spindle Assembly, R.H. |
| 5 | 532124931 | Bearing, Race, Thrust, Hardened |
| 6 | 532121748 | Washer 25/32 x 1-5/8 x 16 Gauge |
| 7 | 819272016 | Washer 27/32 x 1-1/4 x 16 Gauge |
| 8 | 812000029 | Ring, Klip |
| 10 | 532154432 | Link, Drag |
| 11 | 810040600 | Washer, Lock |
| 13 | 532167118 | Spacer Axle |
| 15 | 873901000 | Nut, Lock, Flange 5/8-11 UNC |
| 17 | 532156546 | Shaft Assembly, Steering |
| 18 | 532057079 | Washer, Thrust .515 x .750 x .033 |
| 19 | 532160395 | Support, Shaft |
| 22 | 532165857 | Screw Hex Wshhd Torx |
| 23 | 532165851 | Pittman Shaft Assembly |
| 25 | 532154406 | Bracket, Steering |
| 27 | 532136874 | Gear, Sector |
| 29 | 817490612 | Screw, Thd., Roll. 3/8-16 x 3/4 |
| 32 | 532137347 | Rod, Tie |
| 36 | 532155099 | Bushing, Steering |
| 37 | 532152927 | Screw TT #10-32 x 5 x 3/8 Flange |
| 38 | 532140175 | Cap Wheel Steer |
| 39 | 819133808 | Washer 13/32 x 2-3/8 x 8 Gauge |
| 40 | 532124701 | Nut Lock Center 3/8-24 Unf |
| 41 | 532100711 | Adaptor, Steering Wheel |
| 42 | 532145054 | Boot, Steering Dash P/L Mtl |
| 43 | 532121749 | Washer 25/32 x 1-1/4 x 16 Gauge |
| 44 | 532153720 | Extension Steering Non-Adjust |
| 46 | 532121232 | Cap, Spindle |
| 47 | 532124836 | Fitting, Grease |
| 51 | 873800500 | Nut Lock Hx W/Ins 5/16-18 UNC |
| 54 | 874780520 | Bolt Fin Hex 5/16-18 UNC x 1-1/4 |
| 62 | 532167902 | Kit, Steering Assembly, Service |
| 63 | 874780616 | Bolt Fin Hex 3/8-16 unc. x 1 Gr. 5 |
| 65 | 532154780 | Spacer Axle |
| 66 | 532154404 | Bearing Arm Pittman |
| 67 | 874781044 | Bolt Fin Hex 5/8-11unc x 2-3/4 |
| 68 | 532154429 | Brace Axle |
| 74 | 532109850 | Joint Asm Ball Rh Service |
| 75 | 532109851 | Joint Asm Ball Lh Service |
| 76 | 532137156 | Rod Tie Ball J Adj. VGT Service |
| 77 | 873700600 | Nut Hex Jam 3/8-24 Unf Lh |
| 78 | 873360600 | Nut Hex Jam 3/8-24 |
| 79 | 819132012 | Washer 13/32 x 1-1/4 x 12 Ga |
| 80 | 874950612 | Bolt Hex Nylon 3/8-16 x 3/4 |

NOTE: All component dimensions given in U.S. inches.
1 inch = 25.4 mm.

REPAIR PARTS

TRACTOR- -MODEL NO. 145HCRD (P145HCRDA), PRODUCT NO. 954 12 00-24
SEAT ASSEMBLY



| KEY NO. | PART NO. | DESCRIPTION |
|---------|-----------|--------------------------------|
| 1 | 532140117 | Seat |
| 2 | 532140551 | Bracket Pnt Pivot Seat (blk) |
| 5 | 532145006 | Clip Push In Hinged |
| 7 | 532124181 | Spring Seat Cprsn 2 250 Blk Zi |
| 8 | 817490616 | Screw Thdrol 3/8-16 X 1 Ty-tt |
| 9 | 819131614 | Washer 13/32 X 1 X 14 Ga |
| 10 | 532155925 | Pan Pnt Seat (blk) |
| 11 | 532166369 | Knob Seat Adj. Wingnut |
| 12 | 532121246 | Bracket Pnt Mounting Switch |

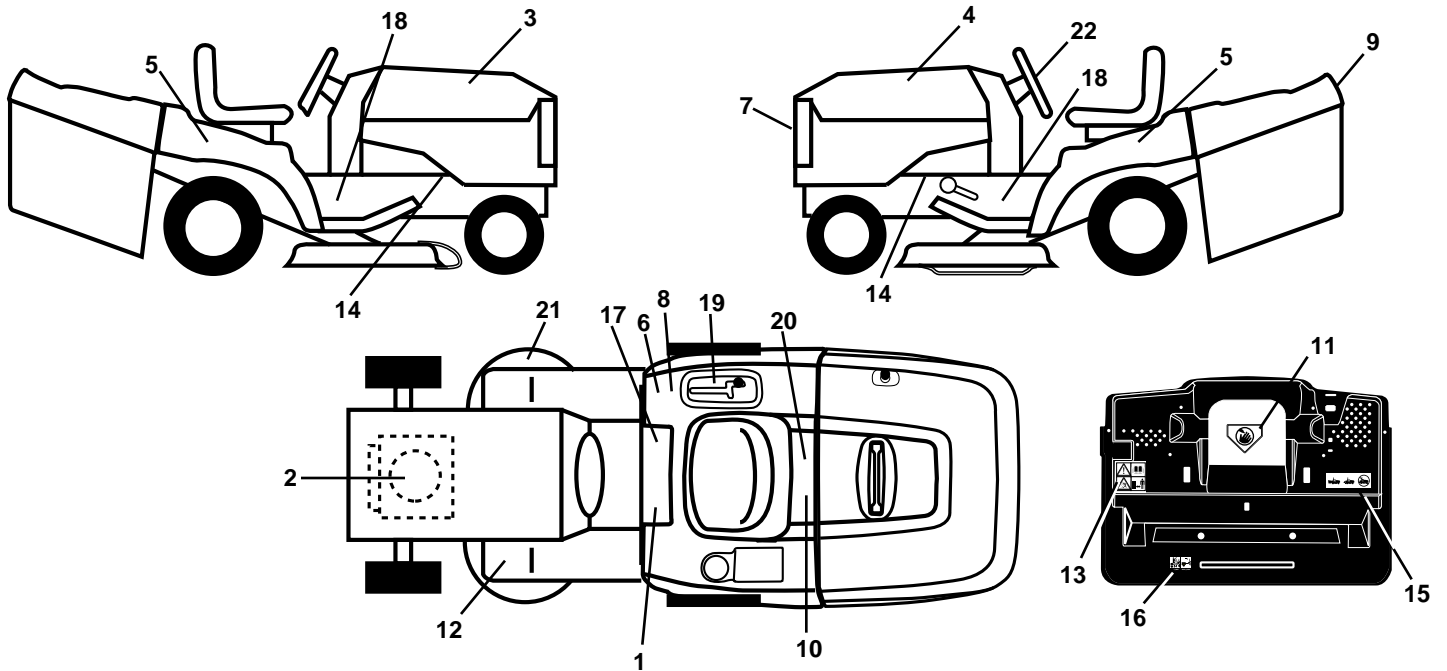
| KEY NO. | PART NO. | DESCRIPTION |
|---------|-----------|--------------------------------|
| 13 | 532121248 | Bushing Snap Blk Nyl 50 Id |
| 14 | 872050412 | Bolt Rdhd Sht Nk 1/4-20x1-1/2 |
| 15 | 532134300 | Spacer Split 28 X 96 Zinc |
| 16 | 532121250 | Spring Cprsn 1 27 Blk Pnt |
| 17 | 532123976 | Nut Lock 1/4 Lge Flg Gr 5 Zinc |
| 21 | 532153236 | Bolt Shoulder 5/16-18 Unc-2A |
| 22 | 873800500 | Nut Hex Lock w/Ins 5/16-18 |
| 24 | 819171912 | Washer 17/32 X 1-3/16 X 12 Ga. |
| 25 | 532127018 | Bolt Shoulder 5/16-18 X 62 |

NOTE: All component dimensions given in U.S. inches.
1 inch = 25.4 mm

REPAIR PARTS

TRACTOR- -MODEL NO. 145HCRD (P145HCRDA), PRODUCT NO. 954 12 00-24

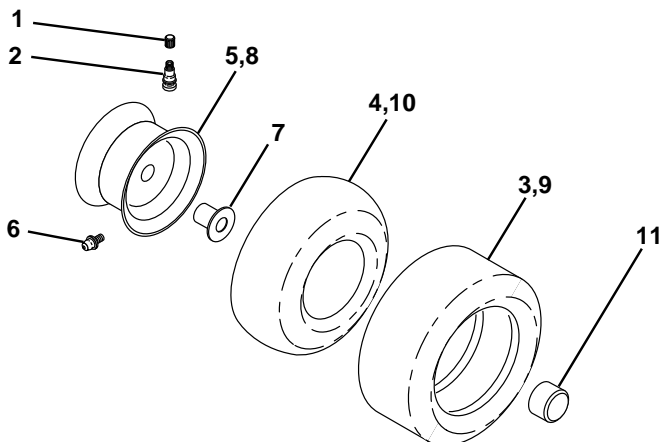
DECALS



| KEY NO. | PART NO. | DESCRIPTION |
|---------|-----------|-------------------------------|
| 1 | 532145498 | Decal Read Owner's Manual Sym |
| 2 | 532165352 | Decal Hp Engine |
| 3 | 532167153 | Decal Hood Rh |
| 4 | 532167154 | Decal Hood Lh |
| 5 | 532140950 | Decal Fender Automatic |
| 6 | 532126187 | Decal 100 DBA |
| 7 | 532140986 | Decal Grille P/L LT |
| 8 | 532145437 | Decal Europe Stand Ce |
| 9 | 532140987 | Decal Fender Logo |
| 10 | 532145005 | Decal Bat Dan/Poi P/L Sym Wpn |
| 11 | 532145494 | Decal Mower Cut Finger Symbol |
| 12 | 532159737 | Decal Brake/Clutch Symbol Lt |
| 13 | 532166959 | Decal Warn Back Plate CRD |

| KEY NO. | PART NO. | DESCRIPTION |
|---------|-----------|-------------------------------|
| 14 | 532159736 | Decal Chassis Hot Muffler |
| 15 | 532166961 | Decal Oper Bag Presence CRD |
| 16 | 532162598 | Decal Drawbar Load Limit |
| 17 | 532140837 | Decal Saddle Brake Parking |
| 18 | 532137588 | Decal Chas Turbo |
| 19 | 532167733 | Decal Console Hydro CRD Black |
| 20 | 532166960 | Decal Bypass Fender CRD |
| 21 | 532166286 | Decal Hex Belt Sch 92 CRD |
| 22 | 532146998 | Decal Strg Whl |
| — | 532138311 | Decal Lift Handle |
| — | 532157199 | Pad Footrest |
| — | 532167138 | Manual Operator's (Euro) |
| — | 532167139 | Manual Operator's (Scan) |

WHEELS & TIRES

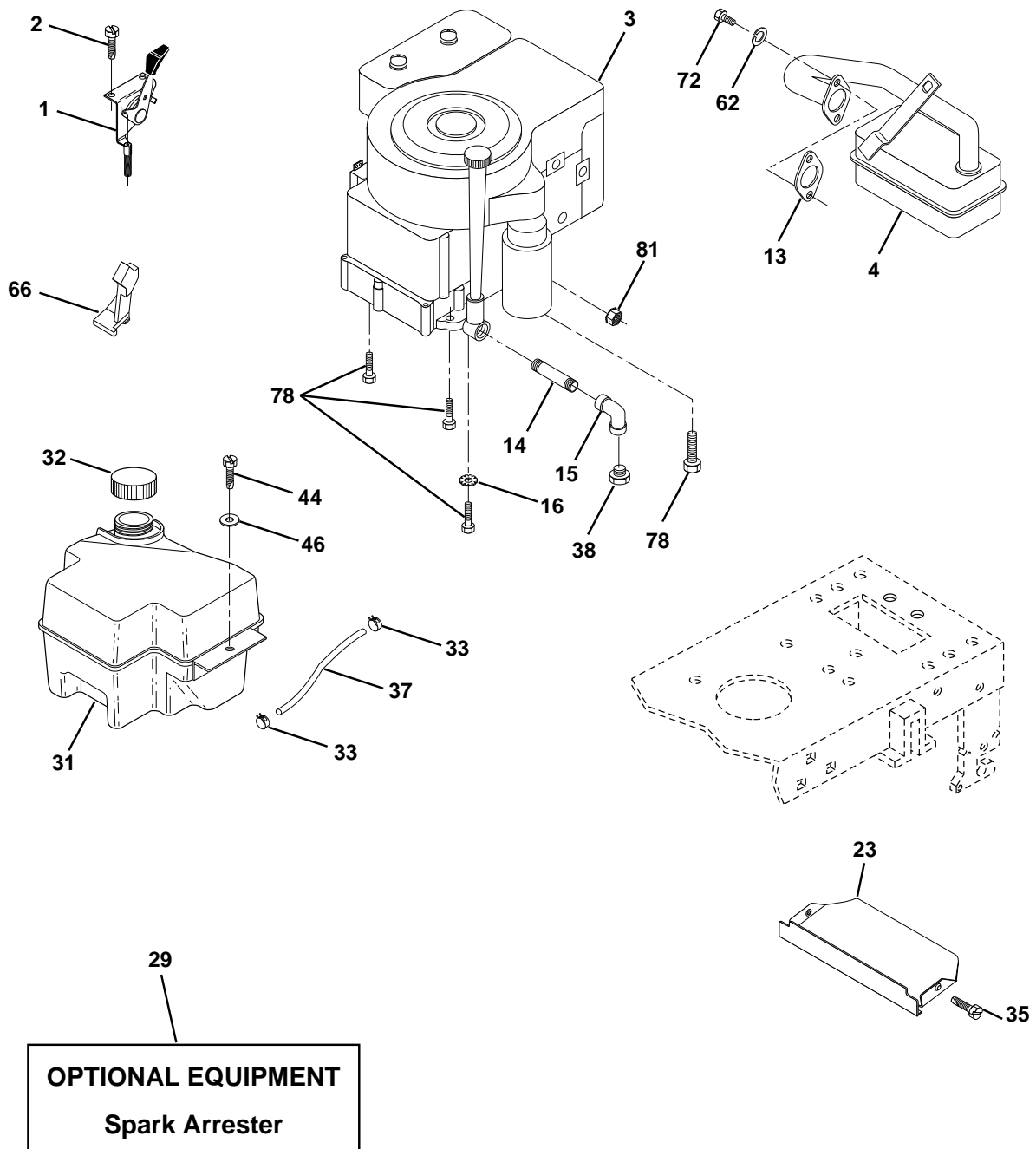


| KEY NO. | PART NO. | DESCRIPTION |
|---------|-----------|--------------------------------|
| 1 | 532059192 | Cap Value Tire |
| 2 | 532065139 | Stem Value |
| 3 | 532106222 | Tire F Ts 15 X 6 0 - 6 Service |
| 4 | 532059904 | Tube Inner Front #35060 |
| 5 | 532125121 | Rim Asm 6"front Service |
| 6 | 532124957 | Fitting Grease |
| 7 | 532124959 | Bearing Flange |
| 8 | 532125122 | Rim Asm 8"rear Service |
| 9 | 532138468 | Tire R Ts 20 x 8-8 Service |
| 10 | 532124926 | Tube Rear 9 5 X 8 Service |
| 11 | 532104757 | Cap Axle Blk 1 50 X 1 00 |
| -- | 144334 | Sealant, Tire (10 oz. tube) |

NOTE: All component dimensions given in U.S. inches
1 inch = 25.4 mm

REPAIR PARTS

TRACTOR- -MODEL NO. 145HCRD (P145HCRDA) PRODUCT NO. 954 12 00-24
ENGINE



REPAIR PARTS

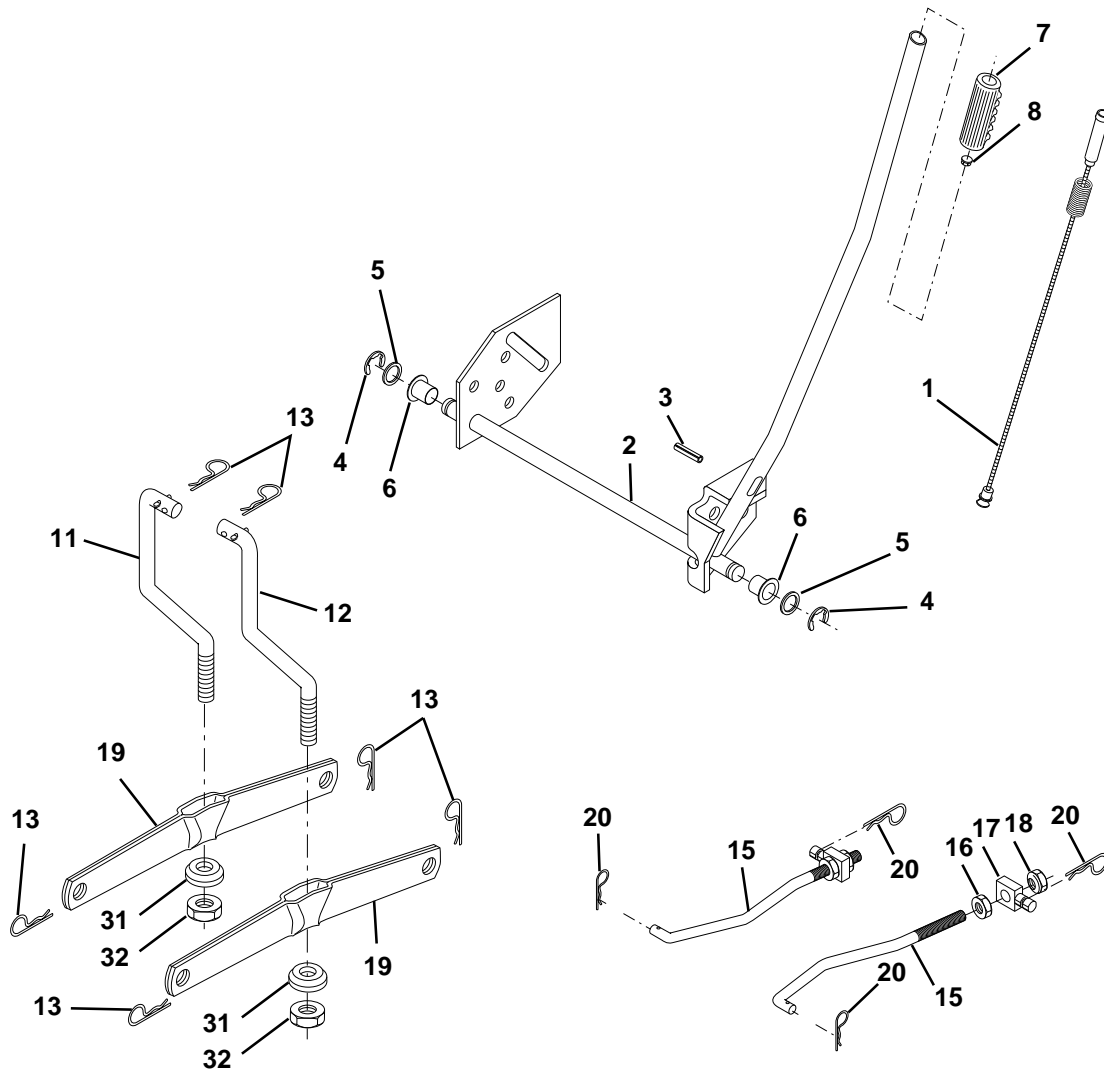
TRACTOR- -MODEL NO. 145HCRD (P145HCRDA) PRODUCT NO. 954 12 00-24
ENGINE

| KEY NO. | PART NO. | DESCRIPTION |
|---------|-----------|---|
| 1 | 532141359 | Control Throt /Ch Lh |
| 2 | 817720410 | Screw Hex Thd Cut 1/4-20x5/8 T |
| 3 | ----- | Engine B&S Model 287707 (Order Parts from Engine Manufacturer) |
| 4 | 532137352 | Muffler Exhaust B&S Lt |
| 13 | 532165291 | Gasket 1 313 Id Tin Plated |
| 14 | 813280324 | Nipple Pipe 3/8 Npt X 3" |
| 15 | 813200300 | Elbow Std 90 Degree 3/8-18 Npt |
| 16 | 811050600 | Washer Lock Ext Tooth 3/8 |
| 23 | 532159880 | Shield Browning/Debris Guard |
| 29 | 532137180 | Arrestor Spark |
| 31 | 532161911 | Tank Fuel 2.00 Fr |
| 32 | 532140527 | Cap Asm Fule Top Vent N/Lany |
| 33 | 532123487 | Clamp Hose Blk |
| 35 | 817490512 | Screw, Thdrol 5/16-18 x 3/4 Tyt |
| 37 | 532137040 | Line Fuel 20" |
| 38 | ----- | Plug Oil Drain (Order From Engine Manufacturer) |
| 44 | 817490412 | Screw Hexwsh Thdrol 1/4-20x3/4 |
| 46 | 819091416 | Washer 9/32 X 7/8 X 16ga |
| 62 | 810040500 | Washer Lock Hvy Hlcl Spr 5/16 |
| 66 | 532127951 | Stop Throttle 3000 Rpm |
| 72 | 871070512 | Screw Hexhd Cap 5/16-18x3/4 |
| 78 | 817490620 | Screw Thdrol 3/8-16x1-1/4 Tytt |
| 81 | 532128861 | Nut Flange 1/4-20 Starter Nut |

NOTE: All component dimensions given in U.S. inches
1 inch = 25.4 mm

REPAIR PARTS

TRACTOR- -MODEL NO. 145HCRD (P145HCRDA) PRODUCT NO. 954 12 00-24
MOWER LIFT



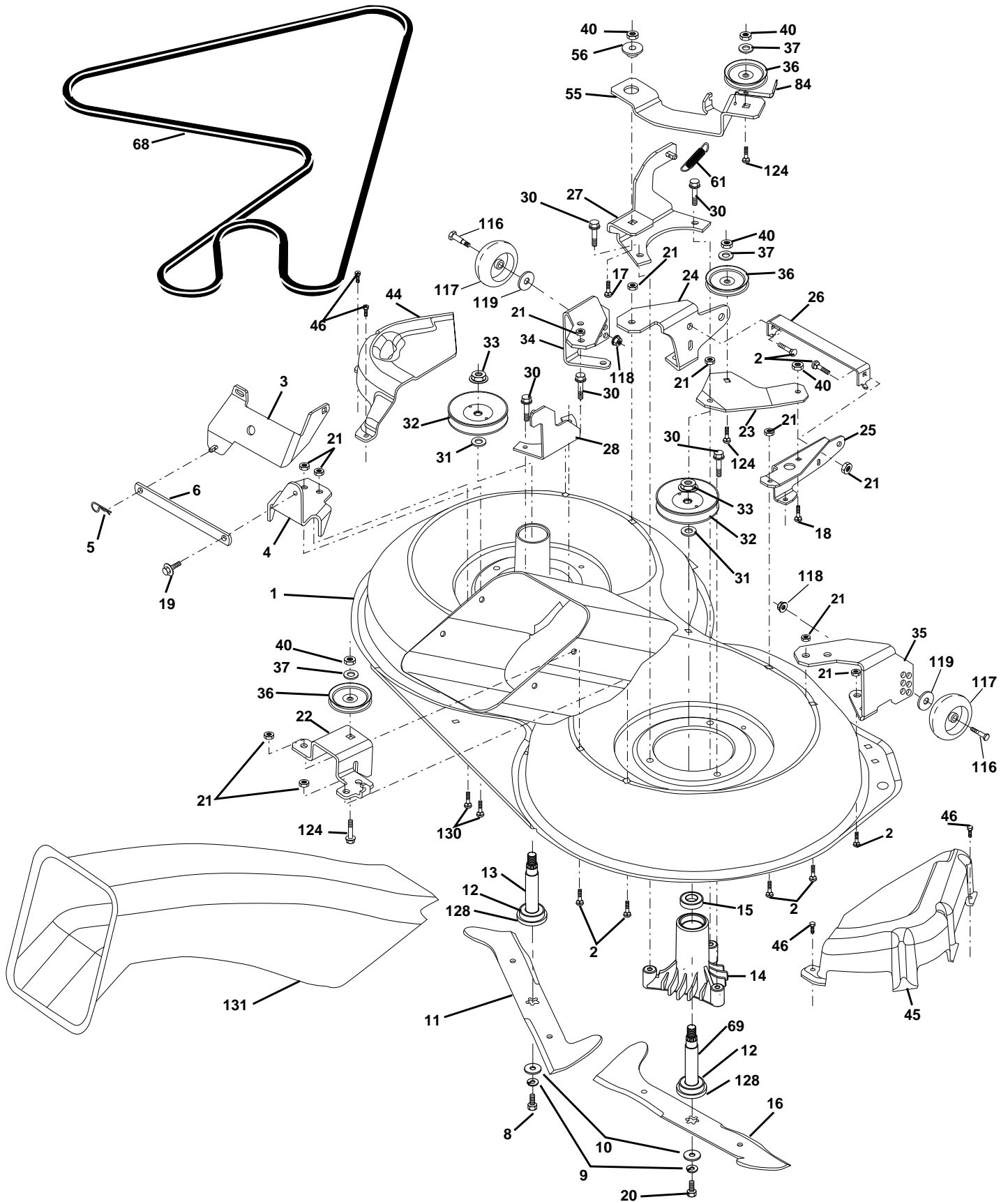
| KEY NO. | PART NO. | DESCRIPTION |
|---------|-----------|------------------------------------|
| 1 | 532159460 | Washer Asm Inner Spring W/ Plunger |
| 2 | 532159471 | Shaft Asm. Lift |
| 3 | 532105767 | Pin Groove |
| 4 | 812000002 | E Ring #5133-62 |
| 5 | 819211621 | Washer 21/32 x 1 x 21 Ga. |
| 6 | 532120183 | Bearing Nylon |
| 7 | 532109413 | Grip Handle Bicycle |
| 8 | 532124526 | Button Plunger Black |
| 11 | 532165829 | Link Asm Lift L.H. |
| 12 | 532165831 | Link Asm Lift R.H. |
| 13 | 532124670 | Retainer Spring |

| KEY NO. | PART NO. | DESCRIPTION |
|---------|-----------|-------------------------------|
| 15 | 532127218 | Link Front |
| 16 | 873350800 | Nut Jam Hex 1/2-13 Unc |
| 17 | 532130171 | Trunnion Blk Zinc |
| 18 | 873680800 | Nut Crownlock 1/2-13 Unc |
| 19 | 532139868 | Arm Suspension Mower |
| 20 | 532163552 | Retainer Spring |
| 31 | 532140302 | Bearing, Pvt. Lift. Spherical |
| 32 | 873540600 | Nut Crownlock 3/8-24 |

NOTE: All component dimensions given in U.S. inches
1 inch = 25.4 mm

REPAIR PARTS

TRACTOR- -MODEL NO. 145HCRD (P145HCRDA) PRODUCT NO. 954 12 00-24
MOWER



REPAIR PARTS

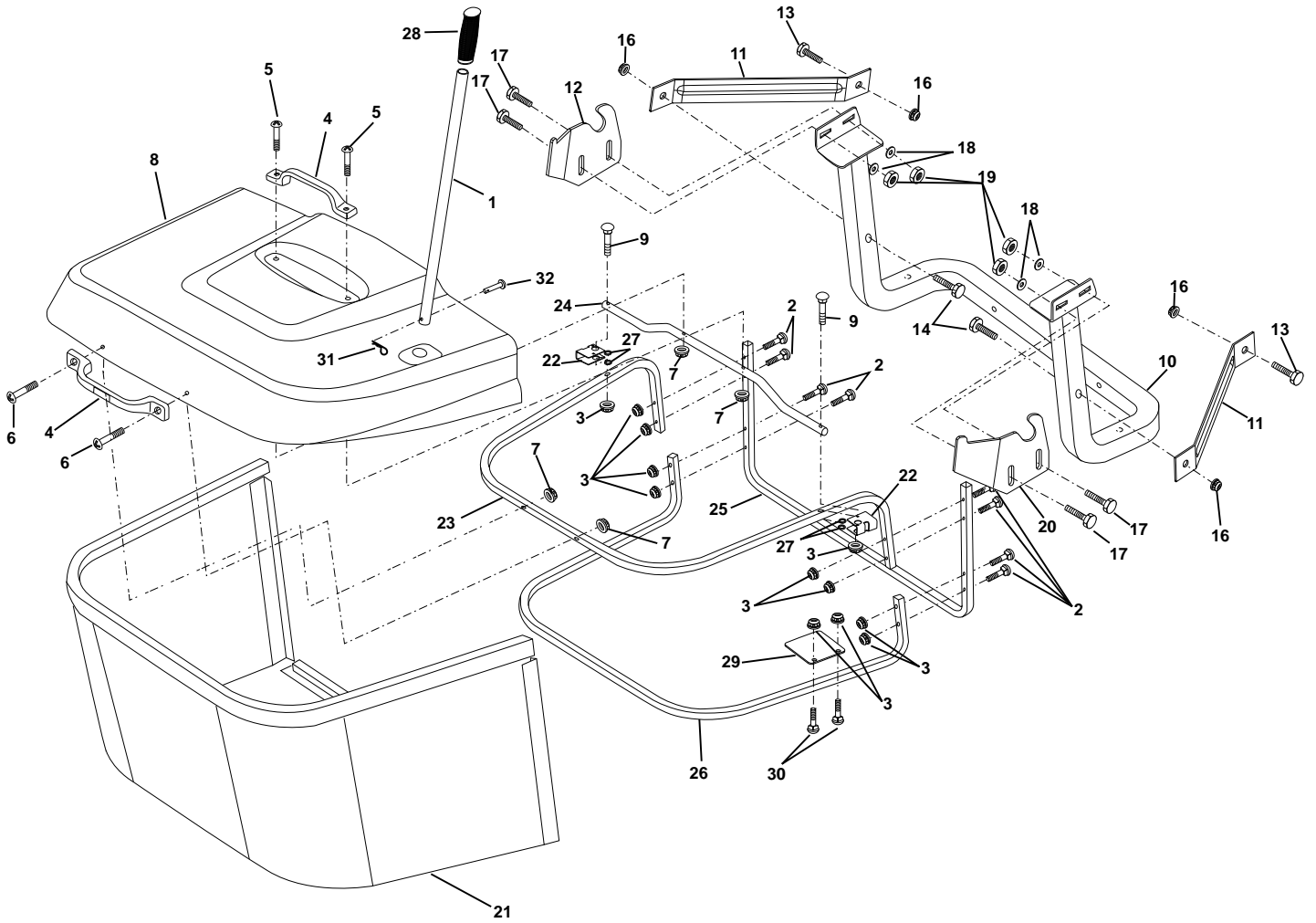
TRACTOR- -MODEL NO. 145HCRD (P145HCRDA) PRODUCT NO. 954 12 00-24
MOWER

| KEY NO. | PART NO. | DESCRIPTION | KEY NO. | PART NO. | DESCRIPTION |
|---------|-----------|-----------------------------------|---------|-----------|---------------------------------|
| 1 | 532165552 | Housing Asm. Mower 92 CRD | 33 | 532137266 | Nut Flg Top Lock Cntr B 9/16 |
| 2 | 872140506 | Bolt Rdhd Sqnk 5/16-18 Unc x 3/4 | 34 | 532165239 | Bracket Gauge Wheel Lf 92 CRD |
| 3 | 532165569 | Bracket Asm. S-Bar Chass 92 CRD | 35 | 532165238 | Bracket Gauge Wheel Rf 92 CRD |
| 4 | 532165558 | Bracket Bar Sway Deck 92 CRD | 36 | 532146763 | Pulley Idler V-Groove Dim 4.25 |
| 5 | 532124670 | Retainer Spring | 37 | 819131316 | Washer 11/32 x 13/16 x 16 Ga |
| 6 | 532165557 | Bar Sway 92 CRD | 40 | 873680600 | Nut Crownlock 3/8-16 Unc |
| 8 | 532850857 | Bolt 3/8-24 x 1.25 Gr8 Patched | 44 | 532165724 | Cover Mandrel Lh 92 CRD |
| 9 | 810030600 | Washer Lock Hvy 3/8 Unplated | 45 | 532165556 | Cover Mandrel Rh 92 CRD |
| 10 | 532140296 | Washer Hard Blade Mower vented | 46 | 532137729 | Screw Thd Roll 1/4-20 x 5/8 |
| 11 | 532165560 | Blade 3-1 Lh 92 CRD | 55 | 532165445 | Arm Idler 92 CRD |
| 12 | 532129895 | Bearing Ball #6204 (Mandrel) | 56 | 532122052 | Spacer Retainer PM Mower |
| 13 | 532137645 | Shaft Asm. W/Lower Bearing | 61 | 532165945 | Spring Tension Belt |
| 14 | 532128774 | Housing Mandrel Vented (Machd) | 68 | 532165555 | Hex-Belt 92 Mower 105AA |
| 15 | 532110485 | Bearing Ball Mandrel | 69 | 532165482 | Shaft Asm W/Lwr Brg Rh Thd CRD |
| 16 | 532165561 | Blade 3-1 Rh 92 CRD | 84 | 532156085 | Keeper Belt Idler |
| 17 | 872140610 | Bolt Carriage 3/8-16 x 1-1/4 | 116 | 532137644 | Bolt Shoulder |
| 18 | 872110608 | Bolt Rdhd Sqnk 3/8-16 x 1 Gr5 | 117 | 532133957 | Wheel Gage Donut Wide |
| 19 | 532132827 | Bolt Shoulder 5/16-18 Thd Form | 118 | 873930600 | Nut Centerlock 3/8-16 Unc |
| 20 | 532165484 | Bolt 3/8-24 x 1.25 Gr8 Ptch Lhthd | 119 | 819121414 | Washer 3/8 x 7/8 x 14 Ga. |
| 21 | 873680500 | Nut Crown Lock 5/16-18 | 124 | 872110612 | Bolt Carr Sh 3/8-16 x 1-1/2 Gr5 |
| 22 | 532165243 | Bracket Idler Sprt RR 92 CRD | 128 | 532153390 | Washer Felt |
| 23 | 532165446 | Bracket Idler Sprt RF 92 CRD | 130 | 872110506 | Bolt Rdhdsqnk 5/16-18 Unc x 3/4 |
| 24 | 532165242 | Bracket Suspension LF 92 CRD | 131 | 532165661 | Chute Bagger CRD 92cm |
| 25 | 532165244 | Bracket Suspension RF 92 CRD | -- | 532130794 | Mandrel Asm Service |
| 26 | 532165237 | Brace Support Susp Frt CRD | -- | 532165579 | Mandrel Asm CRD Lh Threads SVC |
| 27 | 532165568 | Bracket Asm. Susp RR 92 CRD | -- | 532165578 | Deck Mower Complete |
| 28 | 532165567 | Bracket Asm. Susp LR 92 CRD | | | |
| 30 | 532157722 | Screw Thd Rolling Washer Head | | | |
| 31 | 532129963 | Washer Spacer Mower Vented | | | |
| 32 | 532153531 | Mandrel Pulleys 36 & 46 | | | |

NOTE: All component dimensions given in U.S. inches
1 inch = 25.4 mm

REPAIR PARTS

TRACTOR- -MODEL NO. 145HCRD (P145HCRDA) PRODUCT NO. 954 12 00-24
BAGGER



REPAIR PARTS

TRACTOR- -MODEL NO. 145HCRD (P145HCRDA) PRODUCT NO. 954 12 00-24
BAGGER

| KEY NO. | PART NO. | DESCRIPTION |
|---------|-----------|---------------------------------------|
| 1 | 532165249 | Tube Handle Bagger CRD |
| 2 | 872140416 | Bolt Carriage 1/4-20 X 2.0 Gr.5 |
| 3 | 532123976 | Nut Lock 1/4 Lge Flg Gr. 5 Zinc |
| 4 | 532165693 | Handle Grab Plastic Black |
| 5 | 874981024 | Screw Pan Head #10-24 X 1.50 Blk |
| 6 | 874981032 | Screw Pan Hd |
| 7 | 873401000 | Nut Wiz Lock Hex Serr/Hd 10-24 |
| 8 | 532168792 | Cover Bagger Plastic CRD |
| 9 | 872140418 | Bolt Carriage 1/4-20 x 2.25d x Gr.5 |
| 10 | 532165716 | Support AsmWldmnt Bagger CRD |
| 11 | 532165719 | Bracket Support Upper Bag CRD |
| 12 | 532165735 | Bracket Pivot Bagger Lh CRD |
| 13 | 872110606 | Bolt Rdhd Sht Sqnk 3/8-16 X 3/4 |
| 14 | 874520640 | Bolt Hex 3/8-16 X 2-1/2 Gr. 5 |
| 16 | 873900600 | Nut Lock Flg 3/8-16 Unc |
| 17 | 872140506 | Bolt Rdhd Sht Sqnk 5/16 -18 Unc X 3/4 |
| 18 | 819112016 | Washer 11/32 X 1.25 X 16 Ga. |
| 19 | 873800500 | Nut Lock Hex W/Ins 5/16-18 Unc Pl |
| 20 | 532165736 | Bracket Pivot Bagger RH CRD |
| 21 | 532165780 | Bag Asm CRD |
| 22 | 532165781 | Bracket Side Bagger CRD |
| 23 | 532165782 | Tube Upper Bagger CRD |
| 24 | 532165783 | Tube Pivot Bagger CRD |
| 25 | 532165784 | Tube Front Bagger CRD |
| 26 | 532165785 | Tube Lower Bagger CRD |
| 27 | 532165786 | Grommet Extruded Cut1/8 |
| 28 | 532165787 | Grip Handle Black |
| 29 | 532165839 | Plate Stop Bagger handle CRD |
| 30 | 872140410 | Bolt Carriage 1/4-20 x 1 Gr.5 |
| 31 | 532124788 | Retainer Spring 1" Zinc/Cad |
| 32 | 532126875 | Rivet Rd Hd Drilled 3/8 Dia |

NOTE: All component dimensions given in U.S. inches
1 inch = 25.4 mm