

**REPAIR
PARTS MANUAL
MODEL NO. WZ1742RDHA
Lawn Tractor**

WIZARD

HOW TO USE THIS MANUAL

This manual is designed to provide the customer with a means to identify the parts on his/her tractor when ordering repair parts. The illustrations may or may not represent the actual assemblies; therefore, it is not recommended to use this manual as a guide to assemble or disassemble the tractor. Some hardware and parts are drawn larger in order to more readily identify them.

Each tractor has its own model number.

The model number for your tractor can be found on the fender under the seat.

When ordering parts, always give the following information:

- Product - "Tractor"
- Model Number - "WZ1742RDHA"
- Part Number
- Part Description

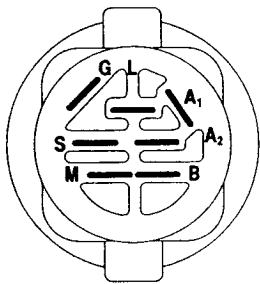
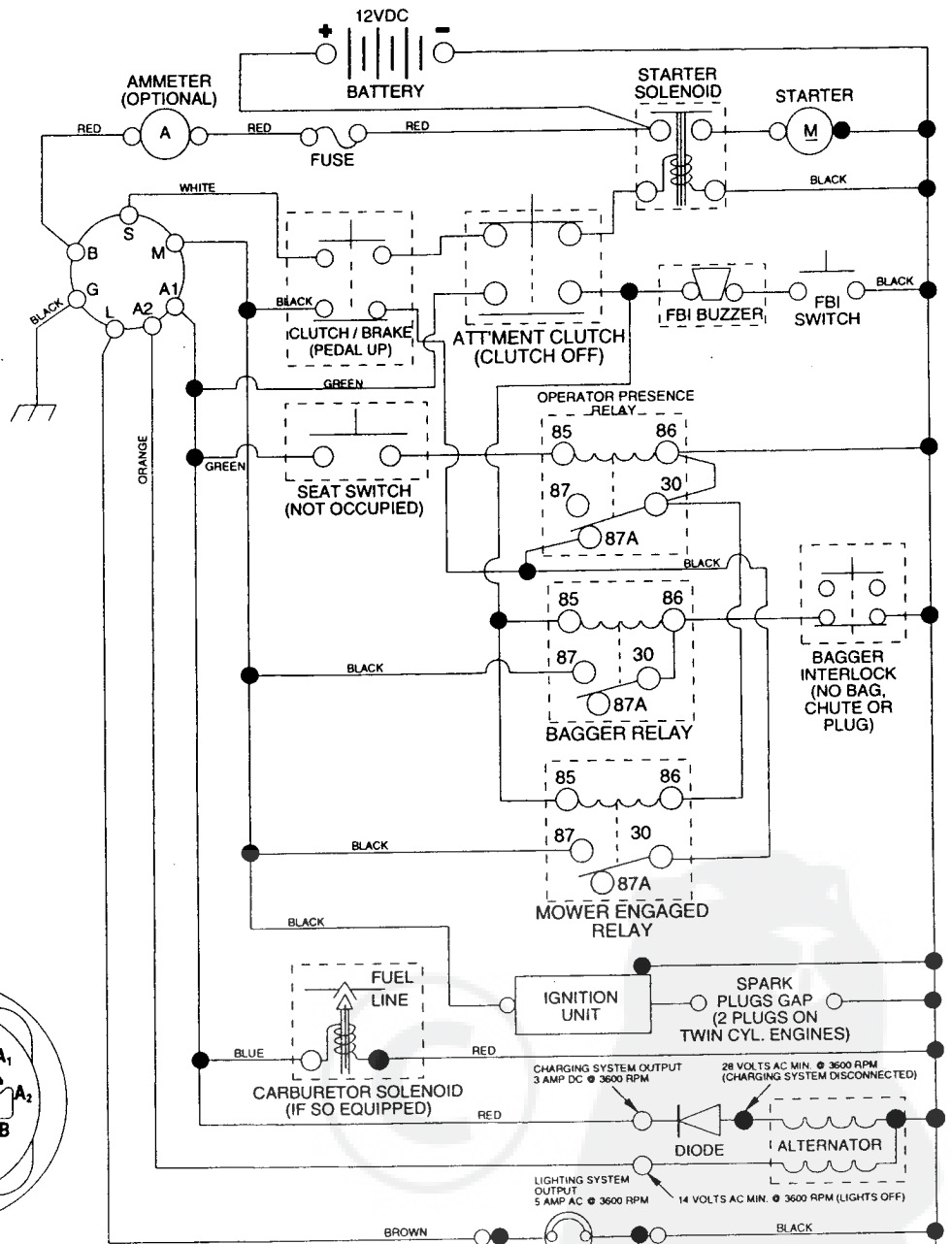
TABLE OF CONTENTS

SCHEMATIC.....	3
ELECTRICAL.....	4-5
CHASSIS	6-7
DRIVE	8-9
STEERING	10-11
SEAT.....	12
DECALS	13
ENGINE	14-15
MOWER LIFT	16-17
MOWER DECK	18-19
BAGGER	20-21
WARRANTY.....	23

REPAIR PARTS

TRACTOR- -MODEL NO. WZ1742RDHA

SCHEMATIC



IGNITION SWITCH

POSITION	CIRCUIT	"MAKE"
OFF	M+G+A1	NONE
RUN/LIGHT	B+A1	A2+L
RUN	B+A1	NONE
START	B + S + A1	NONE

WIRING INSULATED CLIPS
NOTE: IF WIRING INSULATED CLIPS WERE REMOVED FOR SERVICING OF UNIT, THEY SHOULD BE REPLACED TO PROPERLY SECURE YOUR WIRING.

● NON-REMOVABLE CONNECTIONS

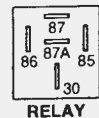
○ REMOVABLE CONNECTIONS

PTO SWITCH

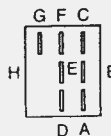
POSITION	CIRCUIT
OFF	C + G, B + H
ON	C + F, B + E, A + D

HEADLIGHTS

NOTE
YOUR TRACTOR IS EQUIPPED WITH A SPECIAL ALTERNATOR SYSTEM. THE LIGHTS ARE NOT CONNECTED TO THE BATTERY, BUT HAVE THEIR OWN ELECTRICAL SOURCE. BECAUSE OF THIS, THE BRIGHTNESS OF THE LIGHTS WILL CHANGE WITH ENGINE SPEED. AT IDLE THE LIGHTS WILL DIM. AS THE ENGINE IS SPEEDED UP, THE LIGHTS WILL BECOME THEIR BRIGHTEST.



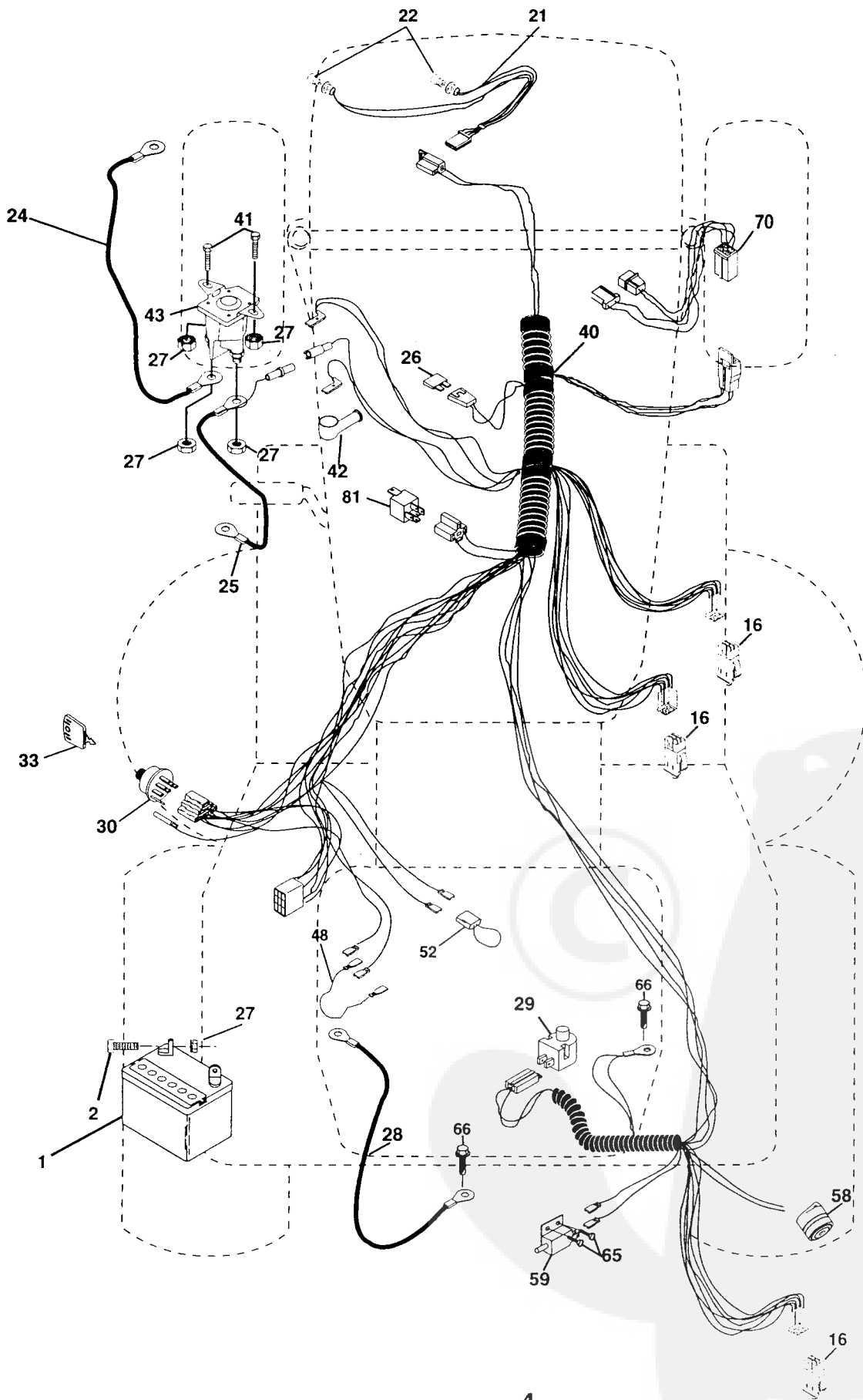
RELAY



REPAIR PARTS

TRACTOR- -MODEL NO. WZ1742RDHA

ELECTRICAL



REPAIR PARTS

ELECTRICAL

TRACTOR- -MODEL NO. WZ1742RDHA

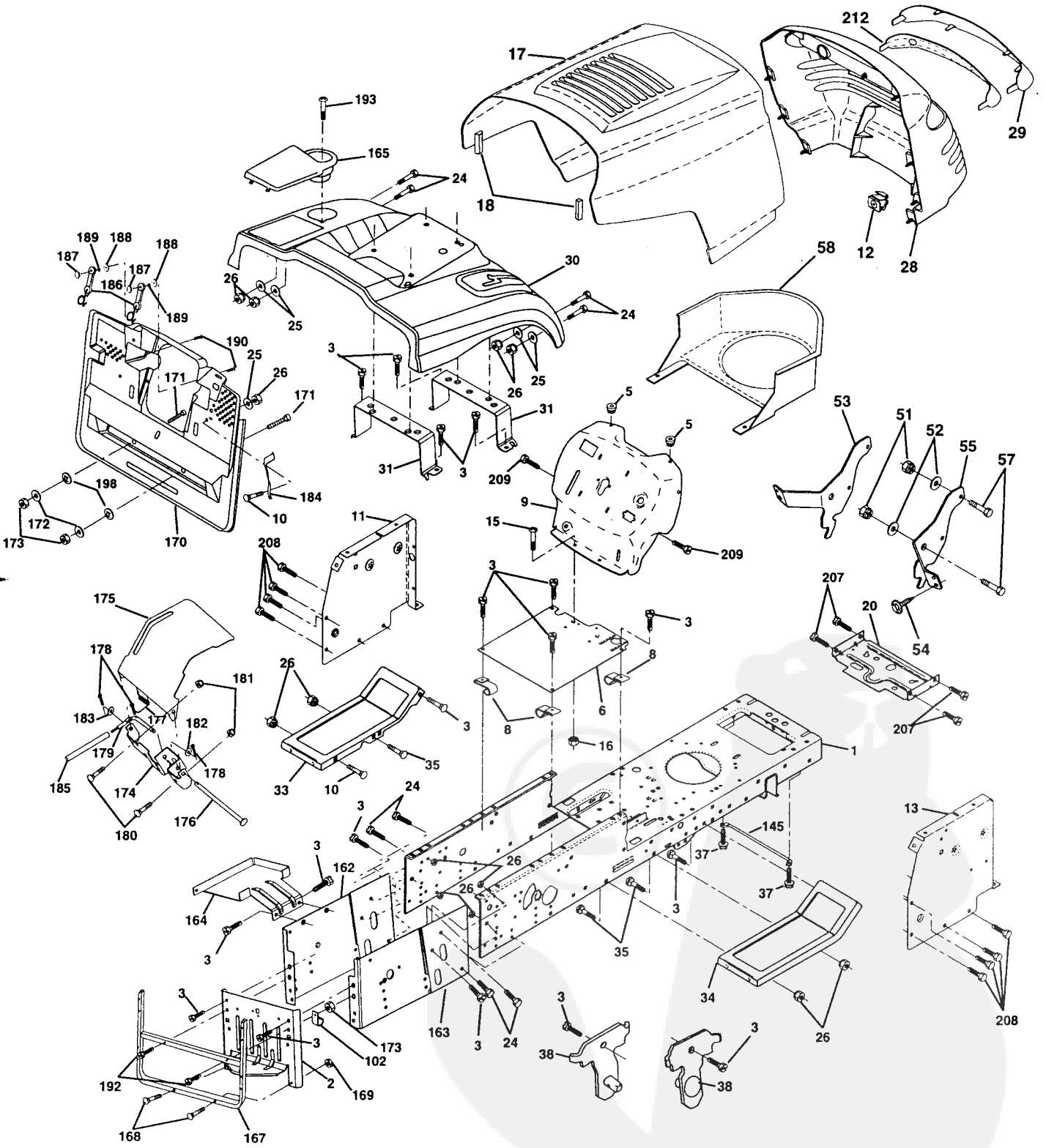
KEY NO.	PART NO.	DESCRIPTION
1	144925	Battery 12 Volt 25 AMP Wet
2	74760412	Bolt Hex Hd 1/4-20 Unc X 3/4
16	153664	Switch Interlock Push-In
21	166181	Harness Asm Light W/4152J
22	4152J	Bulb Light #1156
24	4799J	Cable Battery 6 Ga 11" Red
25	165987	Cable Battery Crd 56" Red
26	166180	Fuse 15 Amp
27	73510400	Nut Keps Hex 1/4-20 Unc
28	127725X	Cable Ground 6Ga 18" Black
29	160784	Switch Plunger Normal Op Olive
30	163968	Switch Ignition
33	140401	Key Ign Molded
40	170164	Harness Ign Crd Noram
41	71110408	Bolt Flk Fin Hex 1/4-20 Unc X 1/2
42	131563	Cover Terminal Red
43	145673	Solenoid
48	140844	Adapter Ammeter Rectangular
52	141940	Protection Wire Loop
58	169419	Buzzer Crd
59	166299	Switch FBI CRD
65	17211008	Screw Slftp #10-16 x 1/2 Ty-Ab
66	17490608	Screw Thdrol 3/8-16 x 1/2 Ty-Tt
70	170243	Harness Engine
81	109748X	Relay Asm

NOTE: All component dimensions given in U.S. inches.
1 inch = 25.4 mm.

REPAIR PARTS

TRACTOR- -MODEL NO. WZ1742RDHA

CHASSIS AND ENCLOSURES



REPAIR PARTS

TRACTOR- -MODEL NO. WZ1742RDHA

CHASSIS AND ENCLOSURES

KEY NO.	PART NO.	DESCRIPTION	KEY NO.	PART NO.	DESCRIPTION
1	169831	Chassis Stamping	163	165673	Bracket Exten Chassis Rh CRD
2	165606	Drawbar	164	165605	Support Battery CRD
3	17060612	Screw 3/8-16 x 3/4	165	165742X428	Cover Battery CRD Lt
5	155272	Bumper Hood/Dash	167	165779	Support Asm. Backplate LDMNT
6	155923	Saddle	68	72050412	Bolt, RDHD SHT NK 1/4-20 x 1-1/2
8	126471X	Clip Insulator 13/32 Mtg. Hole	169	123976X	Nut, Lock 1/4 LGE FLG Gr. 5 Zinc
9	168347X011	Dash	170	165607	Cover, Backplate Plastic Black
10	72140608	Bolt, Carriage 3/8-16 x 3/4	171	74520640	Bolt Hex 3/8-16 x 2-1/2 Gr 5
11	155927	Panel, Dash, L.H.	172	19132016	Washer 13/32 x 1-1/4 x 16 Ga.
12	145660	Clip Tinnerman Grille P/L	173	73510600	Nut, Keps Hex 3/8-16 UNC
13	172107X010	Panel, Asm. Dash R.H.	174	165939	Bracket Switch FBI CRD
15	74180512	Screw, Machine, Truss Head 5/16-18 UNC x 3/4	175	166212	Guard Door Rear CRD
16	73510500	Nut	176	128600	Pin Hinge Pivot
17	159639X505	Hood Assembly	177	132796	Spring Bagger Top LH Black
18	126938X	Bumper Hood	178	76020312	Pin Cotter 3/32 x 3/4 Cad Zinc
20	156437	Plate Mtg. Battery/Fuel Tank	179	165942	Rod Pivot FBI CRD
24	74780616	Bolt	180	74760516	Bolt Hex HD 5/16-18 UNC x 1
25	19131312	Washer 13/32 x 13/16 x 12 Gauge	181	73680500	Nut Crownlock 5/16-18
26	73800600	Nut	182	138200	Washer .385 x .625 x 11 Ga.
28	140434	Grille PL	183	19131316	Washer 13/32 x 13/16 x 16 Ga.
29	140273X599	Lens, Grille	184	166139	Bracket Actuator Bagger CRD
30	165713X505	Fender	185	165940	Tube Lever Switch FBI CRD
31	165156	Bracket, Fender Support	186	160793	Latch Asm Mulch/Bagger
33	145244X505	Footrest, L.H.	187	2029J	Nut Weld
34	145243X505	Footrest, R.H.	188	19061216	Washer #10
35	72110606	Bolt	189	10071000	Washer Lock #10
37	17490508	Screw Thdrol 5/16-18 x 1/2 TYT	190	71161010	Washer Truss Hd Phil 10-24 x 5/8
38	169834	Bracket Asm Pivot Mower Rear	192	17490624	Screw Thdrol 3/8-16 x 1-1/2
51	73800400	Nut Lock w/Insert 1/4-20 UNC	193	17070412	Screw Truss 1/4-20 x 3/4 Tap/R
52	19091416	Washer 9/32 x 7/8 x 16 Ga.	198	168937	Nut, Push
53	144697	Bracket Grille LH	207	17670508	Screw Thdrol 5/16-18 x 1/2
54	161464	Screw Hex Wshd 8-18 x 7/8	208	17670608	Screw Thdrol 3/8-16 x 1/2
55	144696	Bracket Grille RH	209	17000612	Screw Hexwsh Thdr 3/8-16 x 3/4
57	74780412	Bolt, Fin Hex 1/4-20 UNC x .75	212	156229	Insert Lens Reflect P/L
58	150127	Duct Air Engine PL/LT	--	5479J	Plug, Button
59	2751R	Clip Line Fuel 13/32 Mtg. Hole			
145	156524	Rod Pivot Chassis/Hood			
162	165672	Bracket Exten Chassis Lh CRD			

NOTE: All component dimensions given in U.S. inches.
1 inch = 25.4 mm.

REPAIR PARTS

TRACTOR- -MODEL NO. WZ1742RDHA

DRIVE

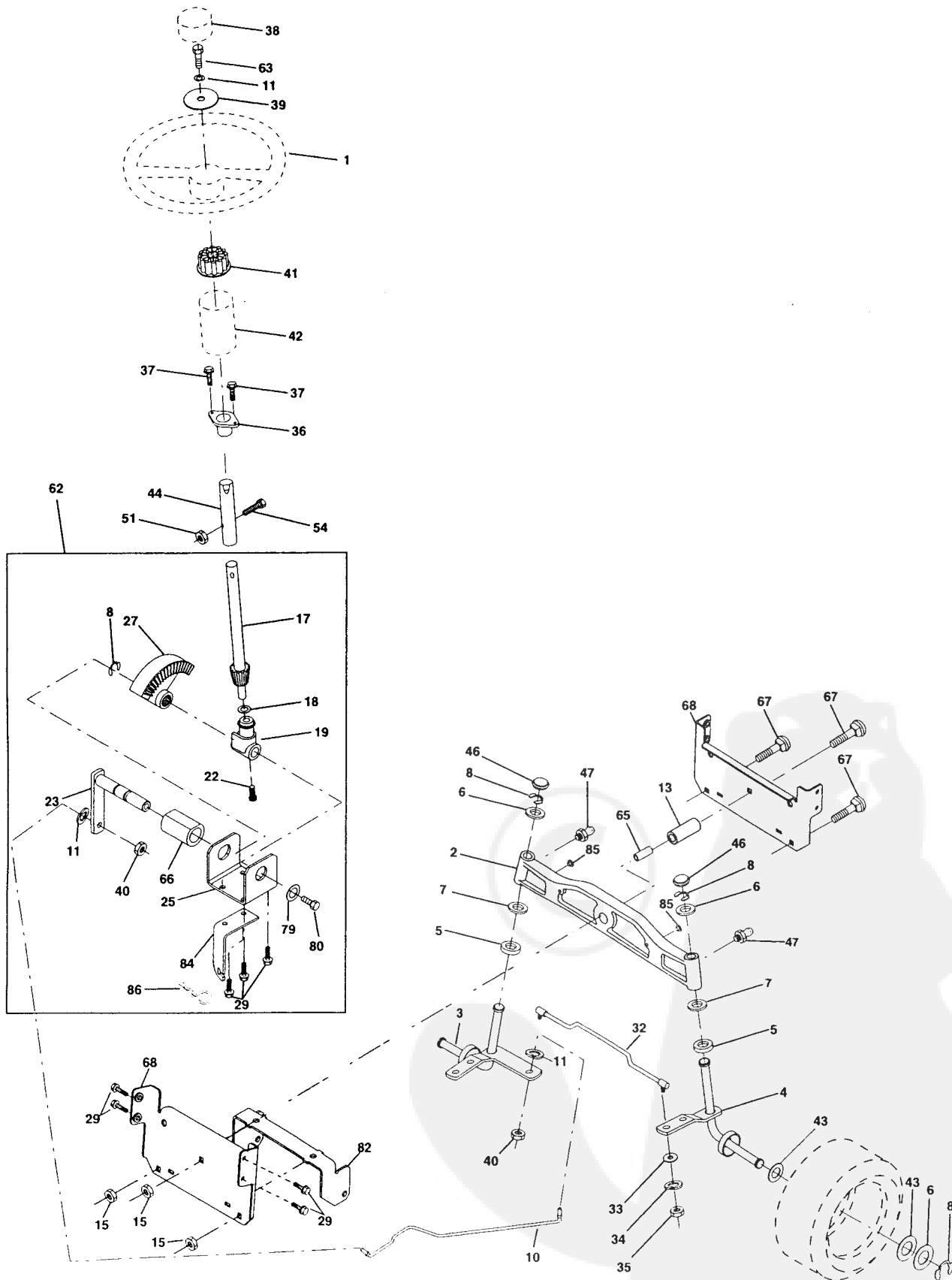
KEY NO.	PART NO.	DESCRIPTION	KEY NO.	PART NO.	DESCRIPTION
1	-----	Transaxle Hydro Gear 331-0650 (Order parts from transaxle manufacturer)	84	165629	Link, Transaxle
3	143995	Pulley Hydro 0650 Lt/CRD	94	140462	Fan 7"
8	165619	Rod, Shift Fender Adjust Lt	95	165935	Control Asm Bypass Hydro
9	170163	Clutch Asm Noram	96	4497H	Spring, Retainer 1"
10	76020416	Pin, Cotter 1/8 x 1	102	141322	Washer, Bellville .50ID x 1.50D
14	10040400	Washer, Lock Hvy Helical	103	73940800	Nut, Hex Jam Toplock 1/2-20 UNF
16	73800500	Nut, Lock Hex w/Ins 5/16-18 UNC	104	140156	Arm, Control Hydro
18	74780616	Bolt Hex 3/8-16 UNC x 1 Gr.5	105	71070516	Screw Cap Hex 5/16 x 18 Unc-1
21	130564	Knob Deluxe 1/2-13 UNC	144	19111016	Washer 11/32 x 5/8 x 16 Ga
22	165688	Rod, Brake CRD 0650	145	74490540	Bolt Hex FGHD 5/16-18 x Gr 5
23	170017	Bracket Clutch Noram	146	74490536	Bolt Hex FLGHD 5/16-18 x 2-1/4
24	73350600	Nut	147	74490524	Bolt Hex FLGHD 5/16-18 x 1-1/2
25	106888X	Spring, Rod, Brake	150	165850	Bushing, Bellcrank Grnd Dr
26	19131316	Washer 13/32 x 13/16 x 16 Ga.	151	19133210	Washer 13/32 x 2 x 10 Ga.
27	76020412	Pin, Cotter 1/8 x 3/4	153	74760516	Bolt Hex Hd 5/16-18 Unc x 1
28	145204	Rod, Parking Brake	156	166002	Washer Srrted 5/16ID x 1.125
29	71673	Cap, Parking Brake	157	153236	Bolt Shoulder 5/16-18 Unc 2A
30	169592	Bracket, Mfg. Transaxle	158	165589	Bracket Shift Mount
32	74760512	Bolt Hex 5/16-18 UNC x 3/4	159	165494	Hub Tapered Flange Shift Lt
33	72140506	Bolt Rdhd Sqnk 5/16-18 Unc x 3/4	160	19292016	Washer 29/32 x 1-1/4 x 16 Ga.
34	165496	Shaft, Asm Pedal Foot CRD	161	72140406	Bolt Rdhd Sqnk 1/4-20 x 3/4 Gr 5
35	120183X	Bearing, Nylon	162	73680400	Nut Crownlock 1/4-20 Unc
36	19211616	Washer 21/32 x 1 x 16 Ga.	163	74780416	Bolt Hex Fin 1/4-20 Unc x 1 Gr 5
37	1572H	Pin, Roll 3/16 x 1"	164	19091010	Washer 5/8 x .281 x 10 Ga.
38	165936	Pulley Flat Composite 3.06"	165	165623	Bracket Pivot Lever
39	72110622	Bolt Rdhd 3/8-16 x 2-3/4 Gr.5	166	166880	Screw 5/16-18 x 5/8
40	4470J	Spacer, Split 395 x 59 Bzp	167	165588	Bracket Support Shift CRD
42	19131312	Washer 13/32 x 13/16 x 12 Ga.	168	165492	Bolt Shoulder 5/16-18 x .561
47	127783	Pulley, Idler, V Groove Plasic	169	165580	Plate Fastening Lt
48	154407	Bellcrank Clutch Grnd Drv	171	17490608	Screw Thdrol 3/8-16 x 1/2 Ty-Tt
49	123205X	Retainer, Belt Style Spring	172	165587	Shaft Asm Shifter Frt CRD 0650
50	74760624	Bolt Hex Hd 3/8-16 UNC x 1-1/2	173	165934	Bracket Hydro Bypass CRD
51	73680600	Nut, Crownlock 3/8-16 UNC	174	10090400	Washer Lock 1/4
52	73680500	Nut Crownlock 5/16-18	175	165931	Spring Bypass CRD
53	105710X	Link, Clutch 7.66	176	19070816	Washer 7/32 x 1/2 x 16 Ga.
55	105709X	Spring, Return, Clutch	177	165932	Keeper Flat Idler 3.06" CRD
56	74760620	Bolt, Hex 3/8-16 UNC x 1-1/4	178	165933	Keeper Belt Idler 1.88" CRD
57	165632	V-Belt Kev 112" 0650 CRD	179	120958X	Washer Sintered
J1	17060612	Screw 3/8-16 x 3/4	180	165630	Pulley, Idler, Flat 1.88"CRD
62	8883R	Cover, Pedal	181	165797	Bracket Idler Ground Drive CRD
65	10040700	Washer	182	165634	Keeper Belt 2.5" Od V-Idler CRD
66	154778	Keeper, Belt Engine F-Proof	183	165626	Pulley V-Idler 2.50" Od CRD
71	140158	Strap, Torque, Lh	184	17490644	Screw Hexwsh Thdrol 3/8-16 x 2-3/4
73	156347	Strap, Torque, Rh	185	165541	Link Shift CRD Hydro 0650
74	121199X	Spacer, Split	186	165614	Hub Tapered Round CRD
75	121749X	Washer 25/32 x 1-1/4 x 16 Ga.	187	17490620	Screw Thdrol 3/8-16 x 1-1/4 TT
76	12000001	Ring, E	194	73680600	Nut Crownlock 3/8-16 UNC
77	123583X	Key, Square	202	72110612	Bolt Carr 3/8-16 x 1-1/2 Gr5
78	121748X	Washer 25/32 x 1-5/8 x 16 Ga.	203	71170780	Bolt Hex 7/16-20 x 5
81	165585	Asm, Shaft			
82	123782X	Spring, Torsion			
83	19171216	Washer 17/32 x 3/4 x 16 Ga.			

NOTE: All component dimensions given in U.S. inches
1 inch = 25.4 mm

REPAIR PARTS

TRACTOR- -MODEL NO. WZ1742RDHA

STEERING ASSEMBLY



REPAIR PARTS

TRACTOR- -MODEL NO. WZ1742RDHA

STEERING ASSEMBLY

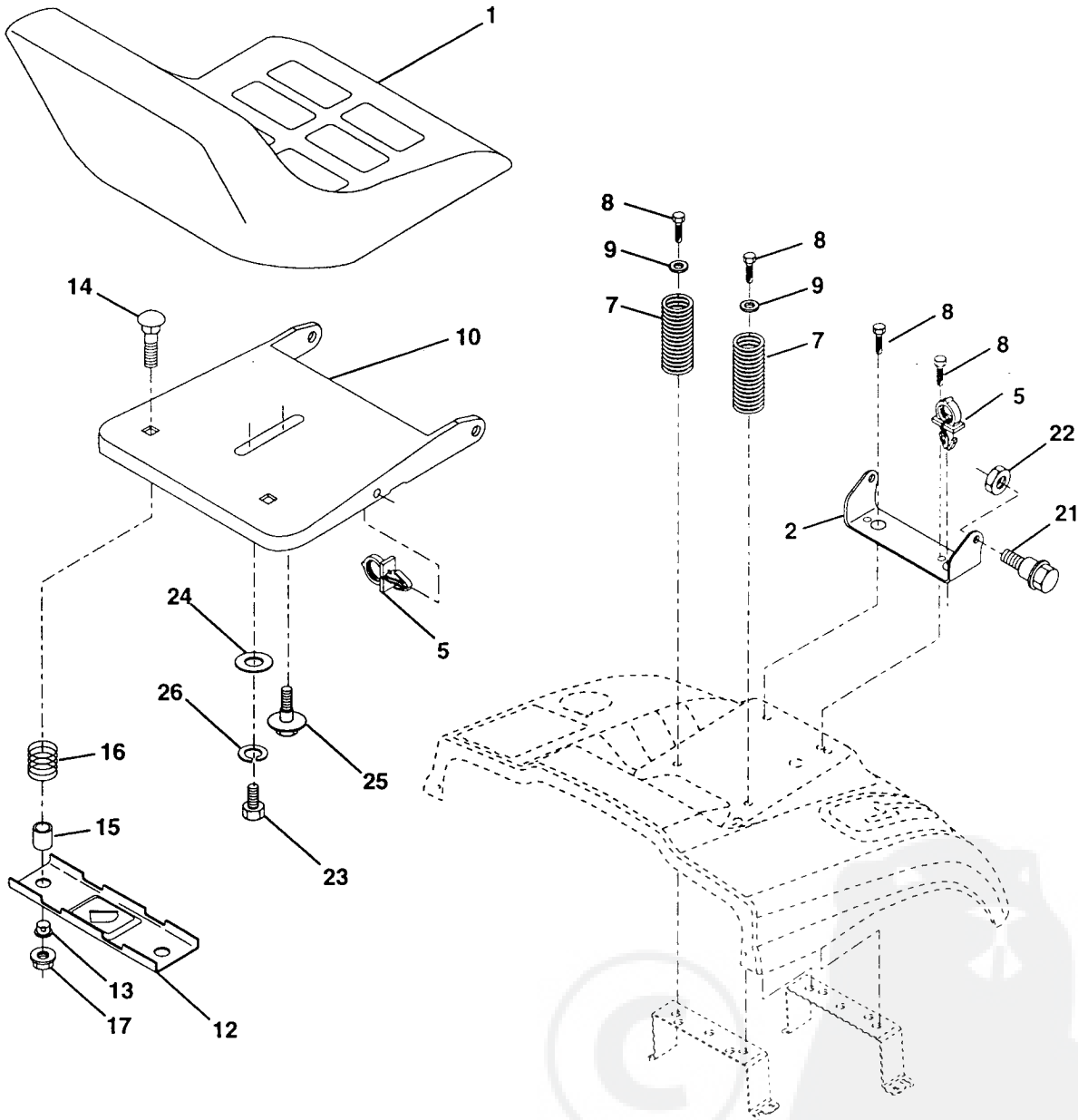
KEY NO.	PART NO.	DESCRIPTION
1	140044	Steering Wheel
2	165854	Cast Lt Machined
3	169840	Spindle Assembly, L.H.
4	169839	Spindle Assembly, R.H.
5	6266H	Washer, Thrust .75 x 1.230
6	121748X	Washer 25/32 x 1-5/8 x 16 Gauge
7	19272016	Washer 27/32 x 1-1/4 x 16 Gauge
8	12000029	Ring, Klip
10	169832	Link, Drag
11	10040600	Washer, Lock
13	136518	Spacer Brg Axle Front
15	145212	Nut, Hex Flange Lock
17	156546	Shaft Assembly, Steering
18	57079	Washer, Thrust .515 x .750 x .033
19	160395	Support, Shaft
22	165857	Screw Hex Wshhd Torx
23	165851	Pittman Shaft Assembly
25	154406	Bracket, Steering
27	136874	Gear, Sector
29	17060612	Screw 3/8-16 x 3/4
32	170162	Rod, Tie
33	19111216	Washer 11/32 x 3/4 x 16 Ga
34	10040500	Washer Lock Hvy Hlcl Spr 5/16
35	73810500	Locknut 5/16-24 Unf
36	155099	Bushing, Steering
37	152927	Screw TT #10-32 x 5 x 3/8 Flange
38	140045	Cap Wheel Steering
39	19133812	Washer 13/32 x 2-3/8 x 12 Gauge
40	7810H	Nut Lock Center 3/8-24 Unf
41	100711L	Adaptor, Steering Wheel
42	145054X428	Boot, Steering Dash P/L Mtl
43	121749X	Washer 25/32 x 1-1/4 x 16 Gauge
44	153720	Extension Steering Non-Adjust
46	121232X	Cap, Spindle
47	6855M	Fitting, Grease
51	73800500	Nut Lock Hx W/Ins 5/16-18 UNC
54	74780520	Bolt Fin Hex 5/16-18 UNC x 1-1/4
62	167902	Kit, Steering Assembly, Service
63	74780616	Bolt Fin Hex 3/8-16 unc. x 1 Gr. 5
65	160367	Spacer Brace Axle
66	154404	Bearing Arm Pittman
67	72140618	Bolt Rdhd Sqnk 3/8-16unc x 2-1/4
68	169827	Brace Axle
79	19132012	Washer 13/32 x 1-1/4 x 12 Ga
80	74950612	Bolt Hex Nylon 3/8-16 x 3/4
82	169835	Bracket Susp Chassis Front 15"
84	170016	Bracket Cable Clutch Chassis
85	133835	Fastener Christmas Tree
86	165898	Retainer Spring

NOTE: All component dimensions given in U.S. inches.
1 inch = 25.4 mm.

REPAIR PARTS

TRACTOR- -MODEL NO. WZ1742RDHA

SEAT ASSEMBLY



KEY NO.	PART NO.	DESCRIPTION
1	127428	Seat
2	140551	Bracket Pnt Pivot Seat (blk)
5	145006	Clip Push In Hinged
7	124181X	Spring Seat Cprsn 2 250 Blk Zi
8	17000616	Screw 3/8-16 X 1-1/2
9	19131614	Washer 13/32 X 1 X 14 Ga
10	155925	Pan Pnt Seat (blk)
12	121246X	Bracket Pnt Mounting Switch
13	121248X	Bushing Snap Blk Nyl 50 Id
14	72050412	Bolt Rdhd Sht Nk 1/4-20x1-1/2

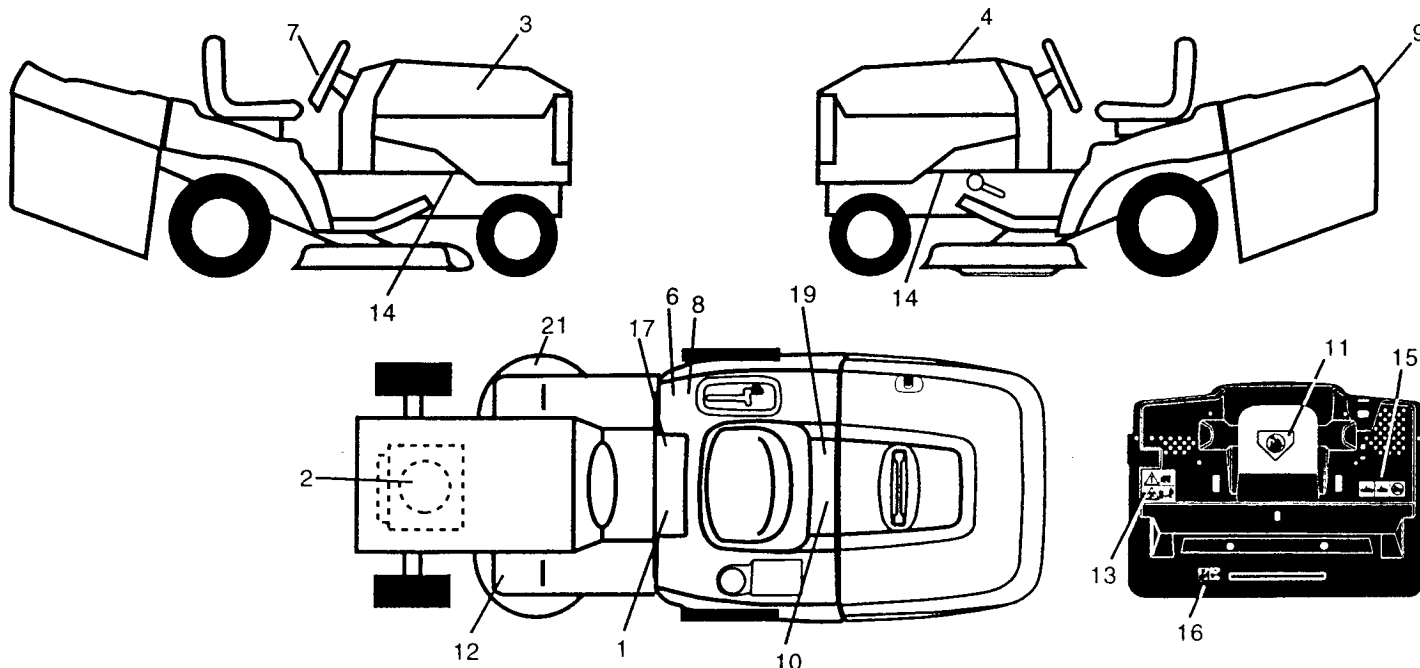
KEY NO.	PART NO.	DESCRIPTION
15	134300	Spacer Split
16	121250X	Spring Cprsn Plate SW 1.310 Ga
17	123976X	Nut Lock 1/4 Lge Flg Gr 5 Zinc
21	171852	Bolt Shoulder 5/16-18 Unc-2A
22	73800500	Nut Hex Lock w/Ins 5/16-18
23	74780814	Bolt Fin Hex 1/2-13 x 7/8 Gr 5
24	19171912	Washer 17/32 X 1-3/16 X 12 Ga.
25	127018X	Bolt Shoulder 5/16-18 X 62
26	10040800	Washer Lock Hvy Hlcl Spr 1/2

NOTE: All component dimensions given in U.S. inches.
1 inch = 25.4 mm

REPAIR PARTS

TRACTOR- -MODEL NO. WZ1742RDHA

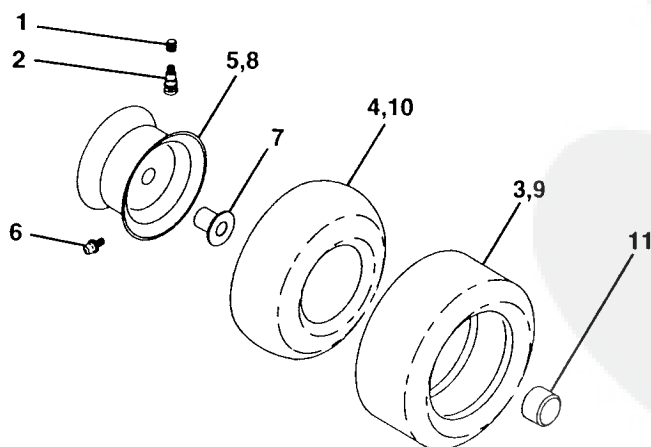
DECALS



KEY NO.	PART NO.	DESCRIPTION
1	145498	Decal Read Owner's Manual Sym
2	170859	Decal Hp Engine
3	172364	Decal Hood Rh
4	172365	Decal Hood Lh
6	126187X	Decal 100 DBA
7	167108	Decal Ins Strg Whl
8	145437	Decal Europe Stand Ce
9	163769	Decal Fender Logo
10	145005	Decal Bat Dan/Poi P/L Sym Wpr
11	145494	Decal Mower Cut Finger Symbol
12	159737	Decal Brake/Clutch Symbol Lt
13	166959	Decal Warn Back Plate CRD

KEY NO.	PART NO.	DESCRIPTION
14	159736	Decal Chassis Hot Muffler
15	166961	Decal Oper Bag Presence CRD
16	162598	Decal Drawbar Load Limit
17	140837	Decal Saddle Brake Parking
19	166960	Decal Bypass Fender CRD
21	166286	Decal Deck Sch 92 CRD
--	133671	Pad Footrest
--	138311	Decal Lift Handle
--	172629	Manual Operator's (Euro)
--	172630	Manual Operator's (Scan)
--	172631	Manual Parts

WHEELS & TIRES



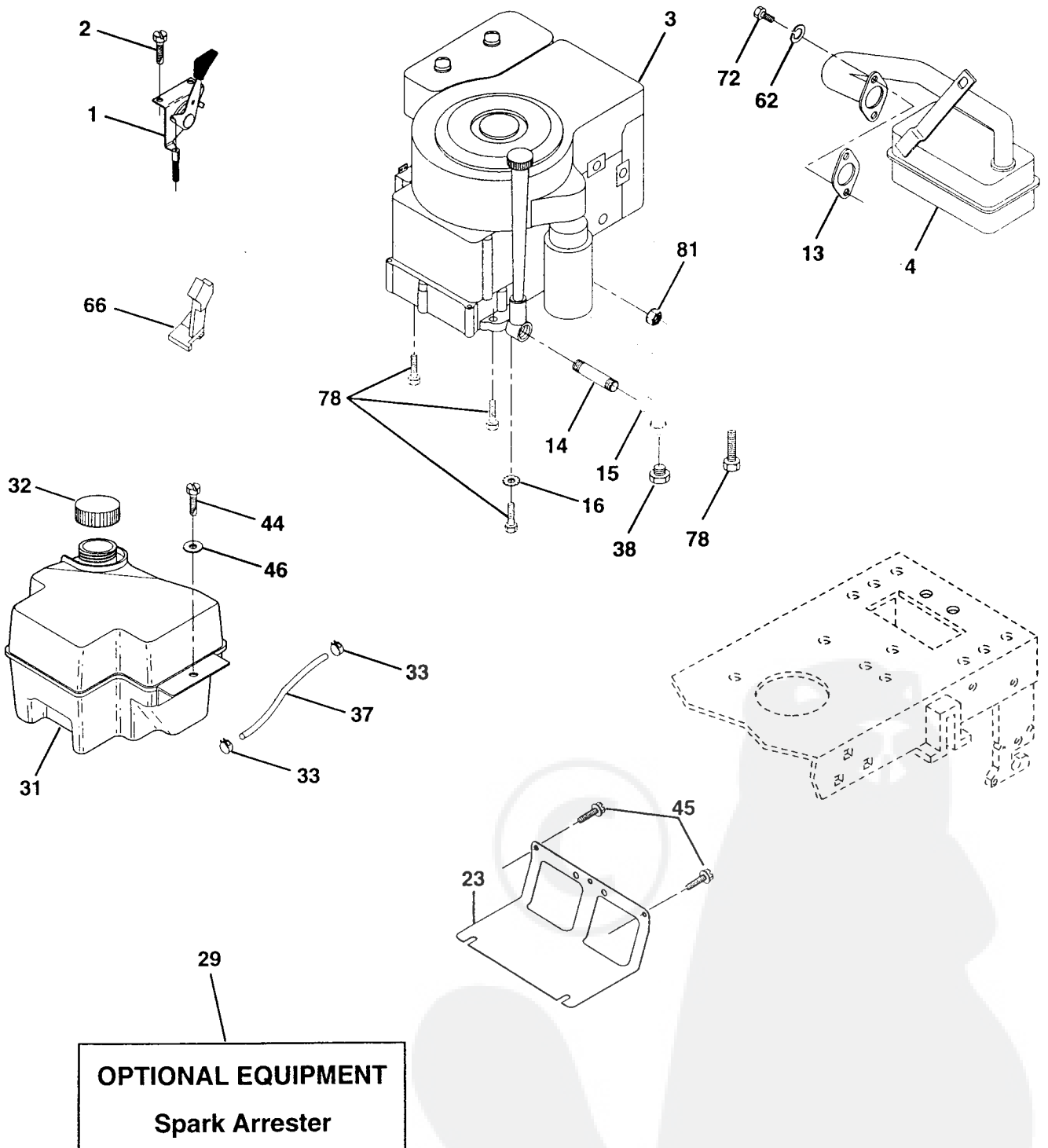
KEY NO.	PART NO.	DESCRIPTION
1	59192	Cap Value Tire
2	65139	Stem Value
3	106222X	Tire F Ts 15 X 6 0 - 6 Service
4	59904	Tube Inner Front #35060
5	106732X427	Rim Asm 6"front Service
6	278H	Fitting Grease
7	9040H	Bearing Flange
8	106108X427	Rim Asm 8"rear Service
9	138468	Tire R Ts 20 X 8-8 Service
10	7152J	Tube Rear 9 5 X 8 Service
11	104757X	Cap Axle Blk 1 50 X 1 00
--	144334	Sealant, Tire (10 oz. tube)

NOTE: All component dimensions given in U.S. inches
1 inch = 25.4 mm

REPAIR PARTS

TRACTOR- -MODEL NO. WZ1742RDHA

ENGINE



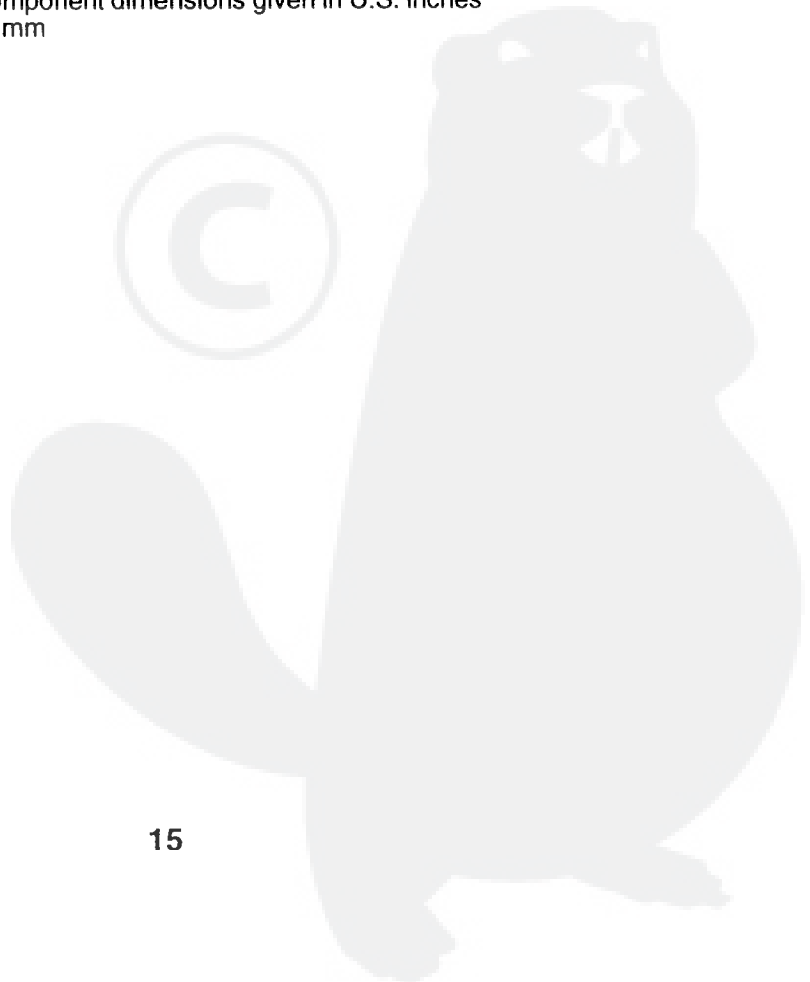
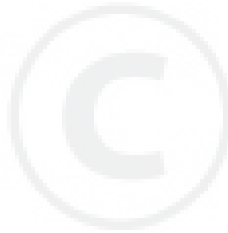
REPAIR PARTS

TRACTOR- -MODEL NO. WZ1742RDHA

ENGINE

KEY NO.	PART NO.	DESCRIPTION
1	141359	Control Throt /Ch Lh
2	17720410	Screw Hex Thd Cut 1/4-20x5/8 T
3	-----	Engine Briggs Model 311707 (Order Parts from Engine Manufacturer)
4	137352	Muffler Exhaust B&S Lt
13	165291	Gasket 1 313 Id Tin Plated
14	13280324	Nipple Pipe 3/8 Npt X 3"
15	13200300	Elbow Std 90 Degree 3/8-18 Npt
16	11050600	Washer Lock Ext Tooth 3/8
23	169837	Shield Browning/Debris Guard
29	137180	Arrestor Spark
31	161911	Tank Fuel 2.00 Fr
32	140527	Cap Asm Fule Top Vent N/Lany
33	123487X	Clamp Hose Blk
37	137040	Line Fuel 20"
38	-----	Plug Oil Drain (Order From Engine Manufacturer)
44	17670412	Screw Hexwsh Thdrol 1/4-20 x 3/4
45	17000612	Screw Hexwsh Thdr 3/8-16 x 3/4
46	19091416	Washer 9/32 X 7/8 X 16ga
62	10040500	Washer Lock Hvy Hlcl Spr 5/16
66	127951	Stop Throttle 3000 Rpm
72	71070512	Screw Hexhd Cap 5/16-18 x 3/4
78	17060620	Screw 3/8-16x1-1/4
81	73510400	Nut Keps Hex 1/4-20 Unc

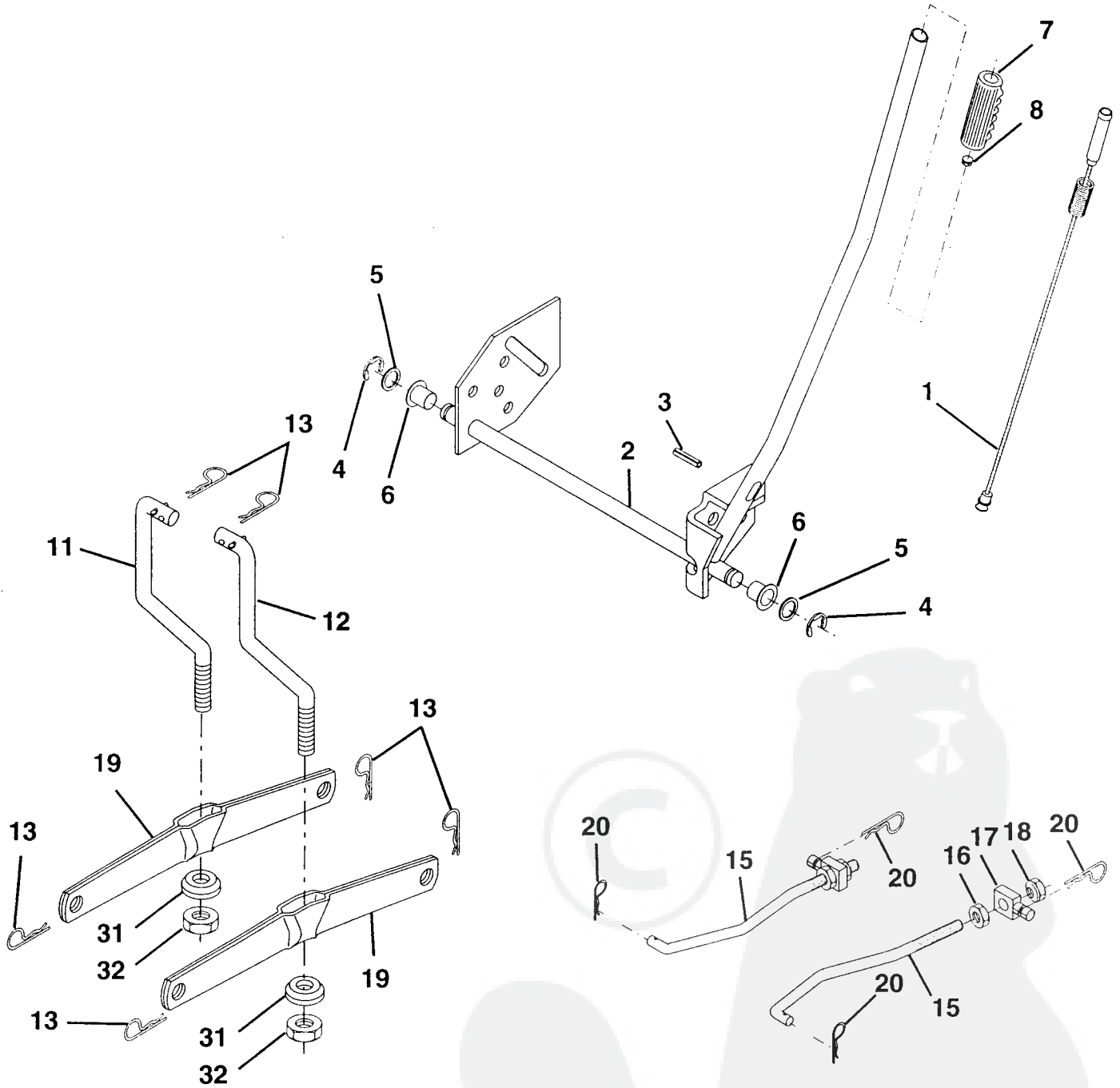
NOTE: All component dimensions given in U.S. inches
1 inch = 25.4 mm



REPAIR PARTS

TRACTOR- -MODEL NO. WZ1742RDHA

MOWER LIFT



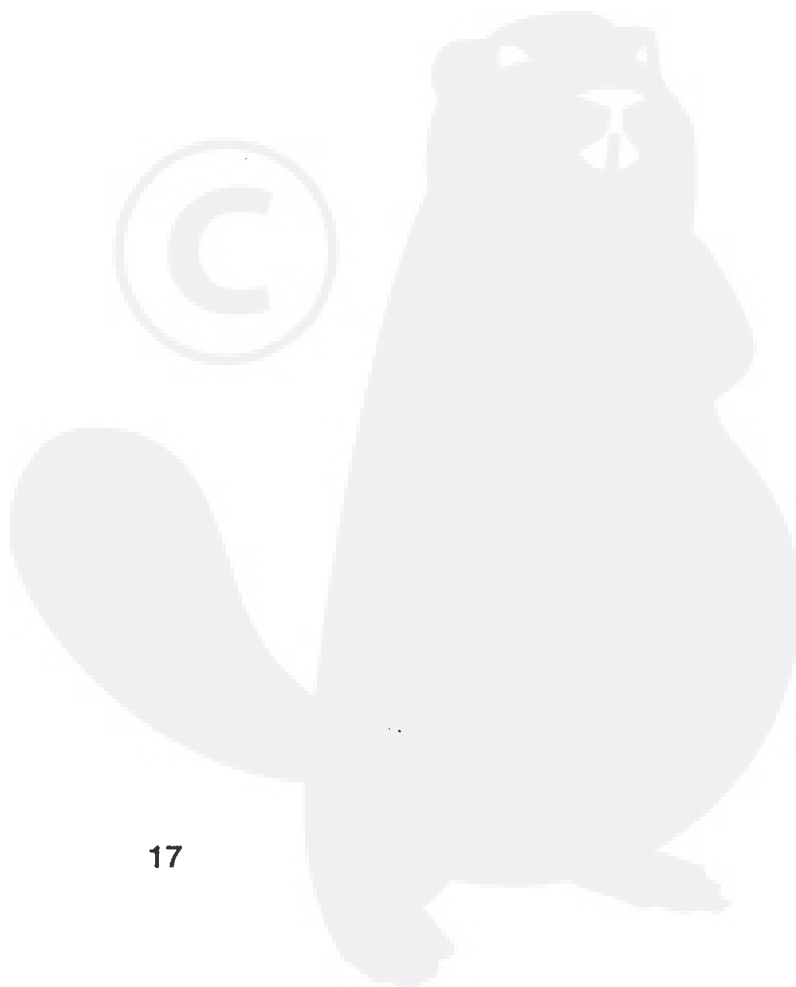
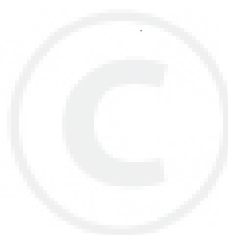
REPAIR PARTS

TRACTOR- -MODEL NO. WZ1742RDHA

MOWER LIFT

KEY NO.	PART NO.	DESCRIPTION
1	159460	Washer Asm Inner Spring W/Plunger
2	159471	Shaft Asm. Lift
3	105767X	Pin Groove
4	12000002	E Ring #5133-62
5	19211621	Washer 21/32 x 1 x 21 Ga.
6	120183X	Bearing Nylon
7	109413X	Grip Handle
8	124526X	Button Plunger Black
11	165829	Link Asm Lift L.H.
12	165831	Link Asm Lift R.H.
13	4939M	Retainer Spring
15	167253	Link Front
16	73350800	Nut Jam Hex 1/2-13 Unc
17	130171	Trunnion Blk Zinc
18	73800800	Nut Lock w/Wsh 1/2-13 Unc
19	139868	Arm Suspension Mower
20	163552	Retainer Spring
31	140302	Bearing, Pvt. Lift. Spherical
32	73540600	Nut Crownlock 3/8-24

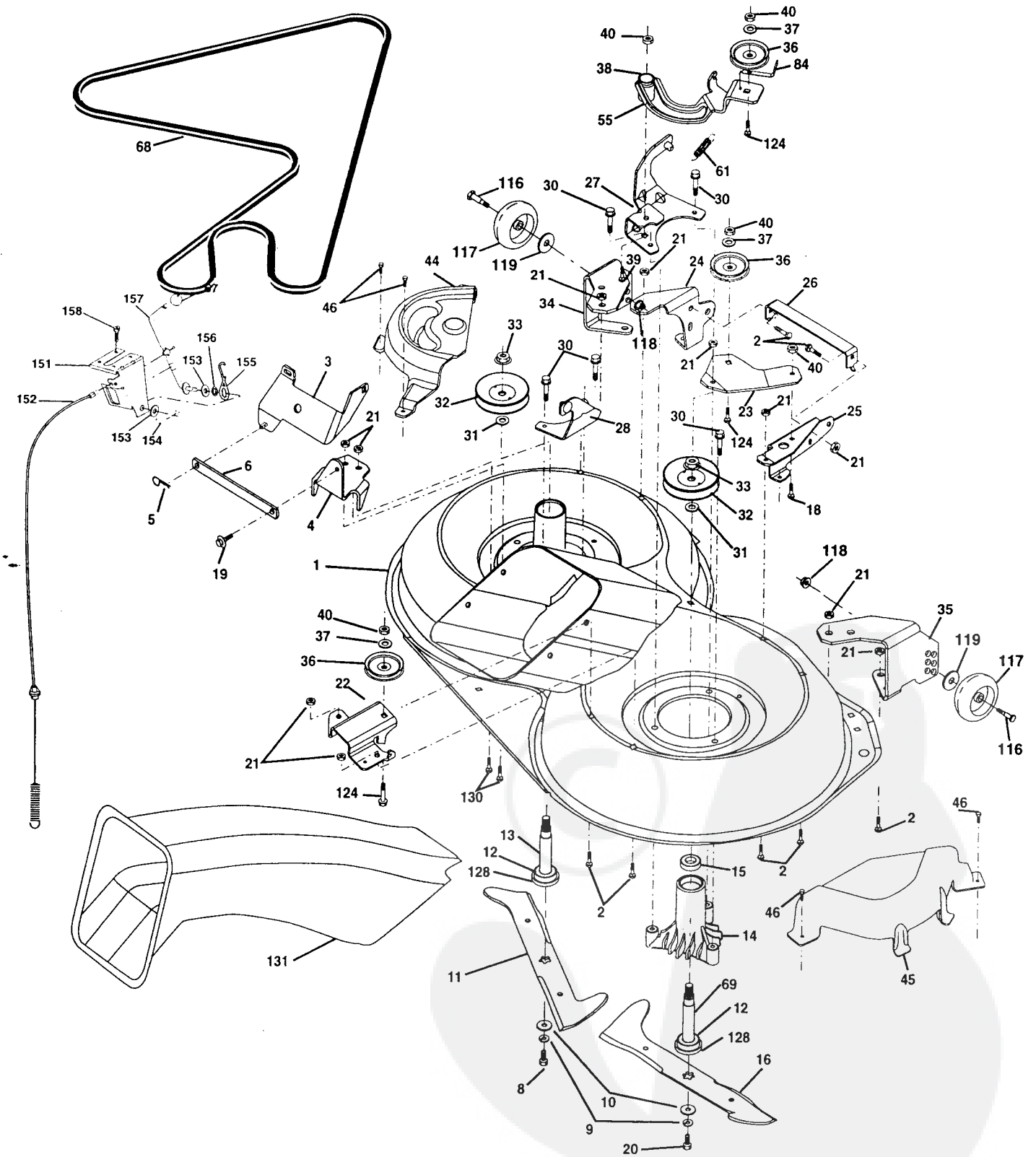
NOTE: All component dimensions given in U.S. inches
1 inch = 25.4 mm



REPAIR PARTS

TRACTOR- -MODEL NO. WZ1742RDHA

MOWER



REPAIR PARTS

TRACTOR- -MODEL NO. WZ1742RDHA

MOWER

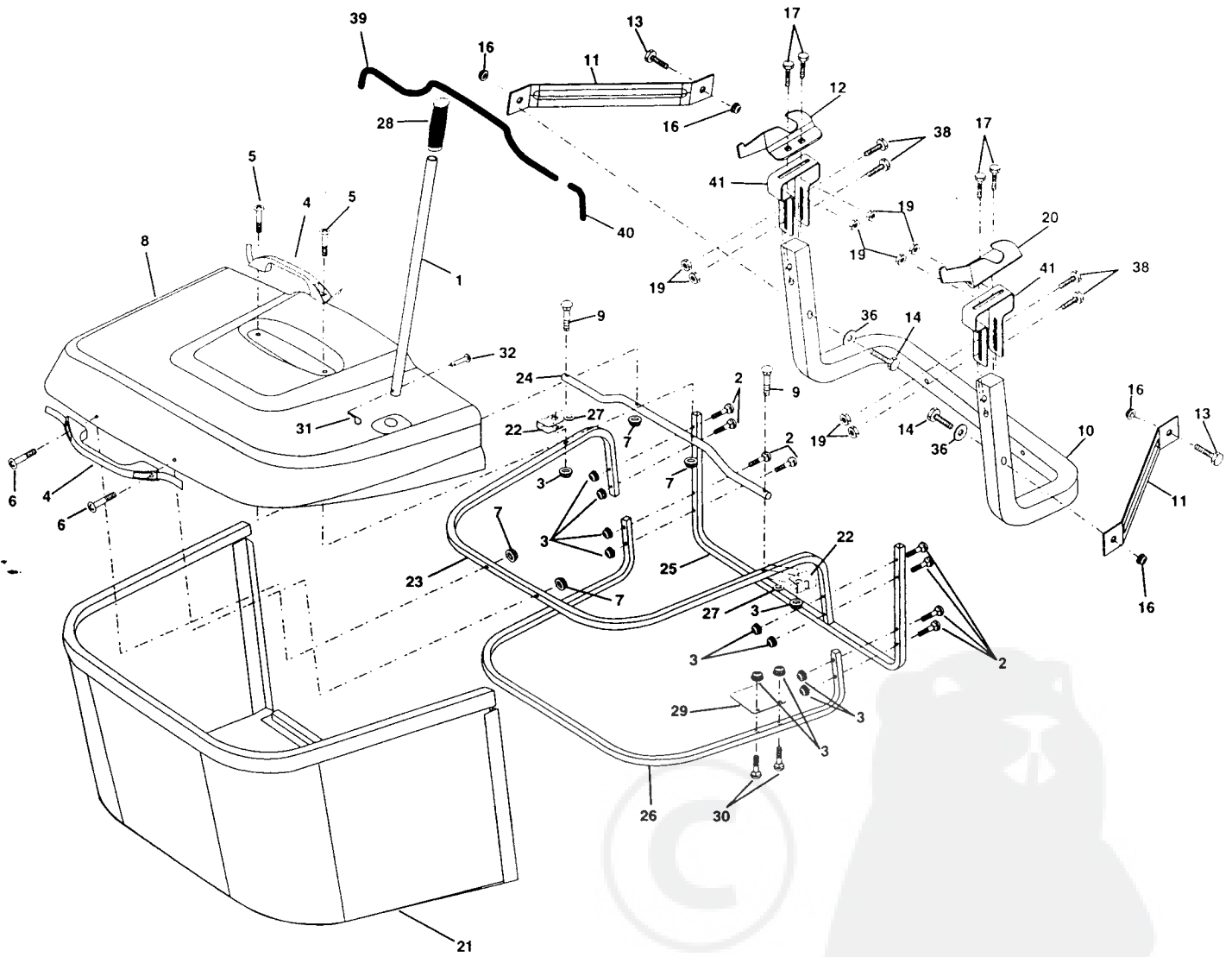
KEY NO.	PART NO.	DESCRIPTION	KEY NO.	PART NO.	DESCRIPTION
1	169160	Housing Asm. Mower	39	72110622	Bolt Rdhd 3/8-16 unc x 2-3/4 Gr. 5
2	72140506	Bolt Rdhd Sqnk 5/16-18 Unc x 3/4	40	73680600	Nut Crownlock 3/8-16 Unc
3	165569	Bracket Asm. S-Bar Chass	44	169180	Cover Mandrel Lh
4	169167	Bracket Bar Sway Deck	45	169179	Cover Mandrel Rh
5	4939M	Retainer Spring	46	137729	Screw Thd Roll 1/4-20 x 5/8
6	165557	Bar Sway 92 CRD	55	169849	Arm Idler
8	850857	Bolt 3/8-24 x 1.25 Gr8 Patched	61	165945	Spring Tension Belt
9	10030600	Washer Lock Hvy 3/8 Unplated	67	106932X	Knob Rd 3/8-16 Plstdc Thds Blk
10	140296	Washer Hard Blade Mower vented	68	169178	Hex-Belt Mower
11	168720	Blade 3-1	69	165482	Shaft Asm W/Lwr Brg Rh Thd CRD
12	129895	Bearing Ball #6204 (Mandrel)	84	156085	Keeper Belt Idler
13	137645	Shaft Asm. W/Lower Bearing	116	137644	Bolt Shoulder
14	128774	Housing Mandrel Vented (Machd)	117	133957	Wheel Gage Donut Wide
15	110485X	Bearing Ball Mandrel	118	73930600	Nut Centerlock 3/8-16 Unc
16	168721	Blade 3-1 Rh	119	19121414	Washer 3/8 x 7/8 x 14 Ga.
18	72110608	Bolt Rdhd Sqnk 3/8-16 x 1 Gr5	124	72110612	Bolt Carr Sh 3/8-16 x 1-1/2 Gr5
19	132827	Bolt Shoulder 5/16-18 Thd Form	128	153390	Washer Felt
20	165484	Bolt 3/8-24 x 1.25 Gr8 Ptch Lhthd	130	72110506	Bolt Rdhdsqnk 5/16-18 Unc x 3/4
21	73680500	Nut Crown Lock 5/16-18	131	165661	Chute Bagger CRD 92cm
22	169165	Bracket Idler RR	151	169670	Bracket Clutch Cable
23	169166	Bracket Idler RF	152	170300	Cable Clutch CRD Service
24	169170	Bracket Suspension LF	153	169674	Washer Flat 3/8" Type B
25	169171	Bracket Suspension RF	154	169675	Spring Retainer
26	165237	Brace Support Susp Frt CRD	155	169671	Spring Retention Lvr Clutch Cable
27	169172	Bracket Asm. Susp RR	156	169672	Spacer Clutch Cable
28	169168	Bracket Asm. Susp LR	157	169669	Rod Clutch Cable 3/8"
30	157722	Screw Thd Rolling Washer Head	158	17720410	Screw Hex Thd Cut 1/4-20 x 5/8
31	129963	Washer Spacer Mower Vented	-	130794	Mandrel Asm Service
32	153535	Mandrel Pulleys	-	165579	Mandrel Asm CRD Lh Threads SVC
33	137266	Nut Flg Top Lock Cntr B 9/16	-	170273	Deck Mower Complete
34	169174	Bracket Gauge Wheel Lf			
35	169175	Bracket Gauge Wheel Rf			
36	146763	Pulley Idler V-Groove Dim 4.25			
37	19131316	Washer 1 1/32 x 13/16 x 16 Ga			
38	169851	Spacer Hub Arm Idler			

NOTE: All component dimensions given in U.S. inches
1 inch = 25.4 mm

REPAIR PARTS

TRACTOR- -MODEL NO. WZ1742RDHA

BAGGER



REPAIR PARTS

TRACTOR- -MODEL NO. WZ1742RDHA

BAGGER

KEY NO.	PART NO.	DESCRIPTION
1	165249	Tube Handle Bagger CRD
2	72140416	Bolt Carriage 1/4-20 x 2.0 Gr.5
3	123976X	Nut Lock 1/4 Lge Flg Gr. 5 Zinc
4	169916	Handle Bagger w/Lvrs Blk CRD
5	74981024	Screw Pan Head #10-24 x 1.50 Blk
6	74981032	Screw Pan Hd
7	73401000	Nut Wiz Lock Hex Serr/Hd 10-24
8	165715X505	Cover Bagger Plastic CRD
9	72140418	Bolt Carriage 1/4-20 x 2.25d x Gr.5
10	169688	Tube Support Bagger CRD
11	165719	Bracket Support Upper Bag CRD
12	169685	Bracket Horizon Adj Bggr Lh CRD
13	72110606	Bolt Rdhd Sht Sqnk 3/8-16 x 3/4
14	74520640	Bolt Hex 3/8-16 x 2-1/2 Gr.5
16	73900600	Nut Lock Flg 3/8-16 Unc
17	72140506	Bolt Rdhd Sht Sqnk 5/16 -18 Unc x 3/4
19	73900500	Nut Lock Hex Flange 5/16-18
20	169684	Bracket Horiz Adj Bggr RH CRD
21	165780	Bag Asm CRD
22	165781	Bracket Side Bagger CRD
23	165782	Tube Upper Bagger CRD
24	165783	Tube Pivot Bagger CRD
25	165784	Tube Front Bagger CRD
26	165785	Tube Lower Bagger CRD
27	169692	Bushing Snap Bagger CRD
28	165787	Grip Handle Black
29	165839	Plate Stop Bagger handle CRD
30	72140410	Bolt Carriage 1/4-20 x 1 Gr.5
31	4497H	Retainer Spring 1" Zinc/Cad
32	126875X	Rivet Rd Hd Drilled 3/8 Dia
36	19132016	Washer 13/32 x 1-1/4 x 16 Ga.
38	72010520	Bolt 5/16-18 x 2-1/2
39	169999	Seal 26" (Long)
40	170000	Seal 7" (Short)
41	169683	Bracket Vert Adj Bagger CRD

NOTE: All component dimensions given in U.S. inches
1 inch = 25.4 mm