



**REPAIR PARTS MANUAL**  
**MODEL NO. WEX12H36B**  
**Lawn Tractor**

---

**WEED EATER®**

# HOW TO USE THIS MANUAL

This manual is designed to provide the customer with a means to identify the parts on his/her tractor when ordering repair parts. The illustrations may or may not represent the actual assemblies; therefore, it is not recommended to use this manual as a guide to assemble or disassemble the tractor. Some hardware and parts are drawn larger in order to more readily identify them.

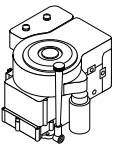

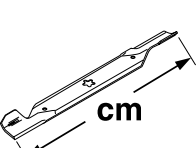
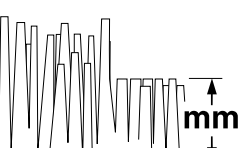

Each tractor has its own model number.

The model number for your tractor can be found on the fender under the seat.

When ordering parts, always give the following information:

- Product - "Tractor"
- Model Number - "WEX12H36B"
- Part Number
- Part Description

## SPECIFICATIONS

 hp/kw	 km/h	 cm	 mm	 KG	dB (A)	Vibration Lärmpegel Vibration Vibratie Vibración Vibrazioni Vibrering Vibration Vibrasjon Tärinä m/s <sup>2</sup>
12/8,9	0-6	91	25-89	250	100	4 - 8

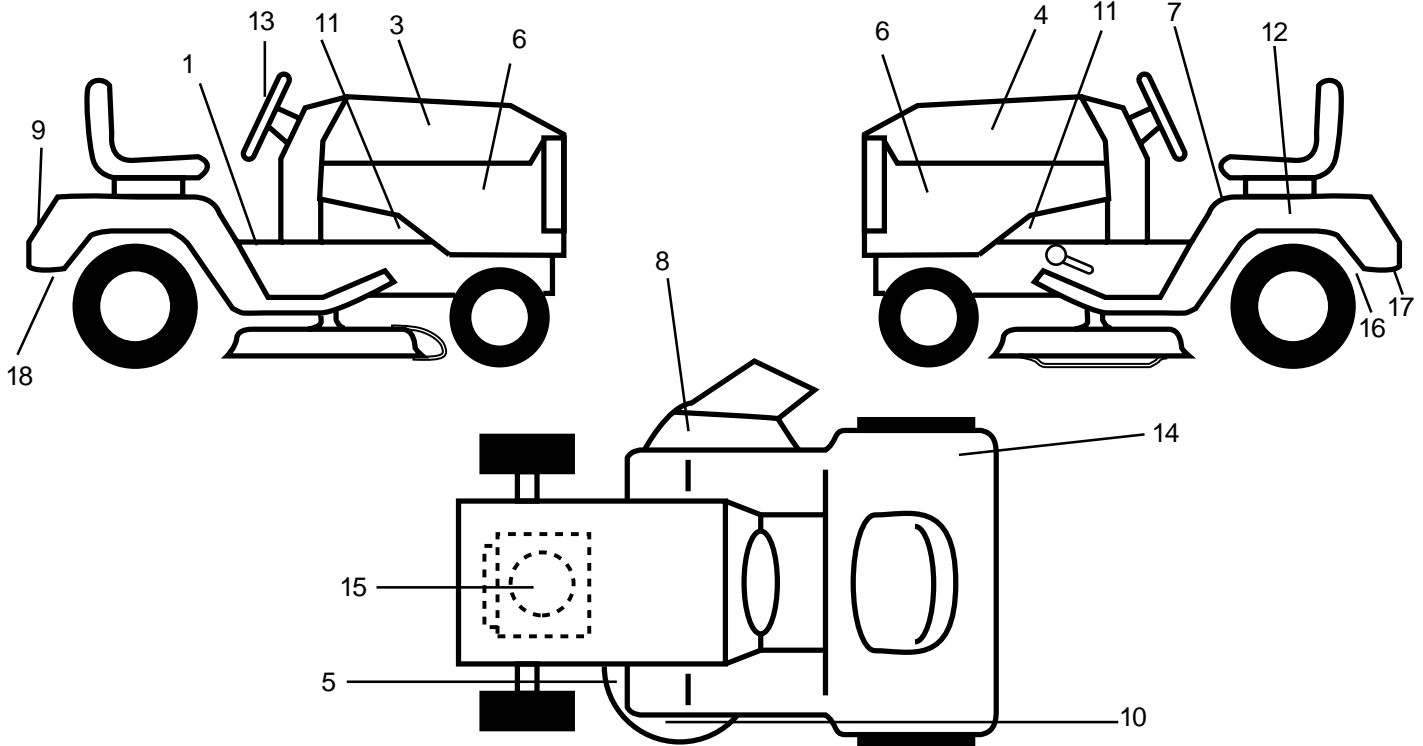
## TABLE OF CONTENTS

DECALS .....	3
ELECTRICAL .....	4-5
HOOD .....	6
FENDER / CHASSIS .....	7
SEAT .....	8
DASH .....	9
STEERING WHEEL .....	10
SECTOR GEAR / AXLE SUPPORT .....	11
FRONT AXLE .....	12
BRAKE / REAR MOWER LIFT ASSEMBLY .....	13
ENGINE / THROTTLE .....	14
GROUND DRIVE .....	15
TRANSAXLE .....	16
MOWER LIFT LEVER .....	17
MOWER DECK .....	18-19
WARRANTY .....	20

# REPAIR PARTS

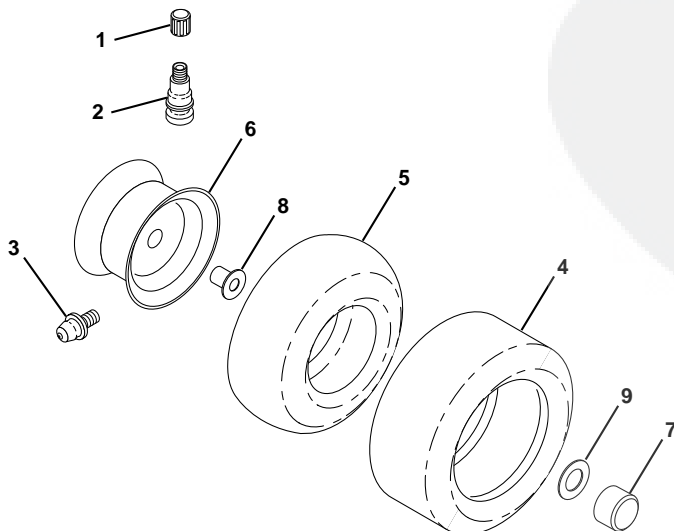
## TRACTOR - - MODEL NUMBER WEX12H36B

### DECALS



KEY NO.	PART NO.	DESCRIPTION	KEY NO.	PART NO.	DESCRIPTION
1	159739	Decal, Brake/Clutch Sym.	14	126187X	Decal 100 DbA
3	162968	Decal, Hood, R.H.	15	165297	Decal, Engine
4	162969	Decal, Hood L.H.	16	162598	Decal, Drawbar Load Limit
5	136830	Decal, V-Belt Sch.	17	141484	Decal, Drawbar Cntrl
6	163908	Decal, Pnl Side	18	145437	Decal, Europe, Stand, CE
7	145498	Decal, Read Owner's Manual Sym	--	138311	Decal, Handle, Lift
8	145494	Decal, Cutfinger Sym	--	157246	Manual, Operator's, (Euro)
9	162395	Decal, Fender	--	157247	Manual, Operator's, (Scan)
10	162391	Decal, Deck, Mower	--	166297	Manual, Repair Parts
11	159736	Decal, Chassis Hot Muffler	Available accessories are not included with your tractor:		
12	145005	Decal, Caution, Battery	--	C36	Rear Bagger
13	162970	Decal, Insert, Steering	--	MK36	Mulcher Kit

### TIRES & WHEELS



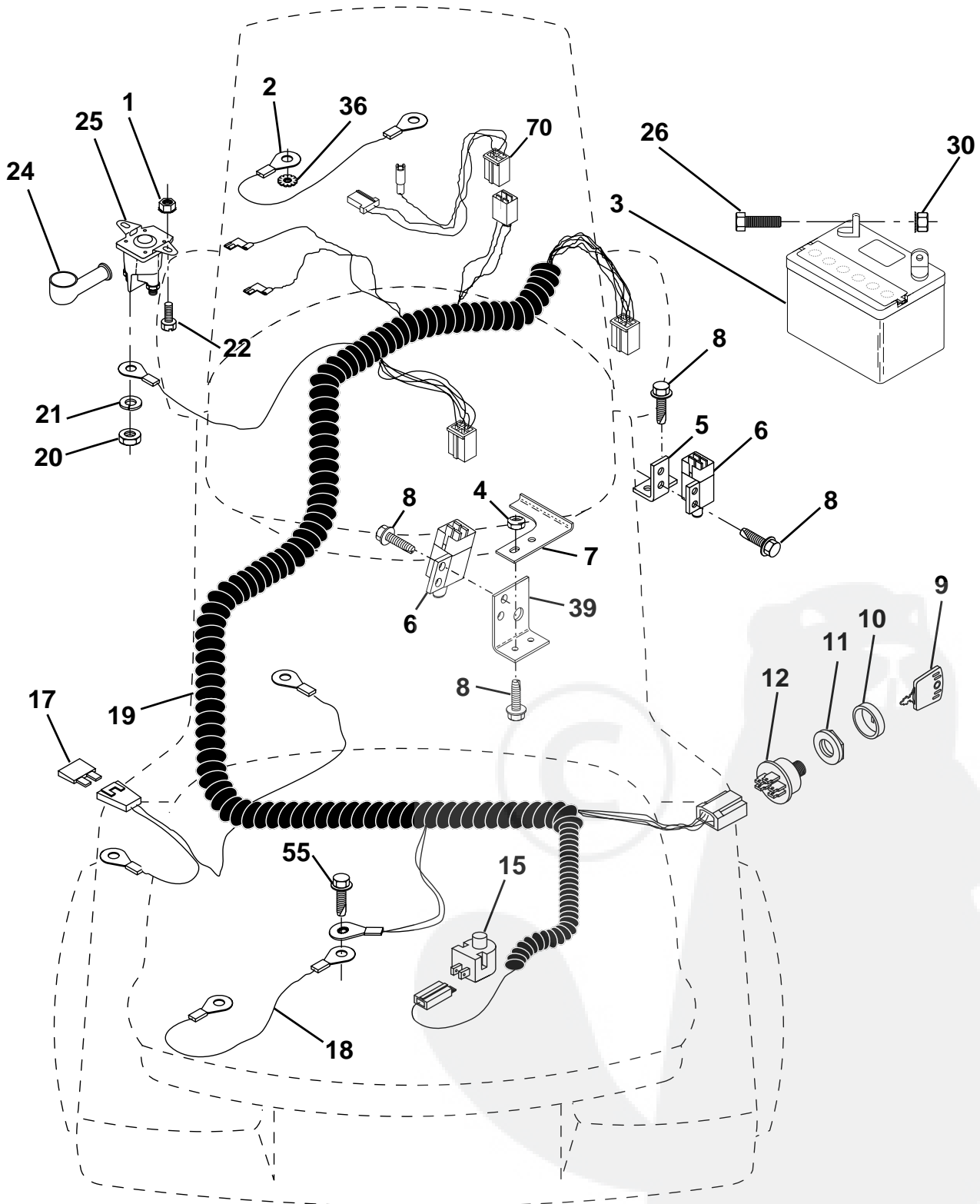
KEY NO.	PART NO.	DESCRIPTION
1	59192	Cap, Valve
2	65139	Stem, Valve
3	278H	Fitting, Grease (Front Only)
4	137422	Tire, Front
	132703	Tire, Rear
5	59904	Tube, Tire, Front
	8134H	(Optional, Service Item Only)
		Tube, Tire, Rear
		(Optional, Service Item Only)
6	137237X427	Rim Assembly, Front
	140325X427	Rim Assembly, Rear
7	104757X	Cap, Axle
8	9040H	Bearing, Flange (Front Only)
9	121748X	Washer, Axle Cap
--	144334	Sealant, Tire (10 oz. Tube)

**NOTE:** All component dimensions given in U. S. inches  
1 inch = 25.4 mm

# REPAIR PARTS

TRACTOR - - MODEL NUMBER WEX12H36B

## ELECTRICAL



HARDWARE SHOWN LARGER FOR EASIER IDENTIFICATION

# REPAIR PARTS

## TRACTOR - - MODEL NUMBER WEX12H36B

### ELECTRICAL

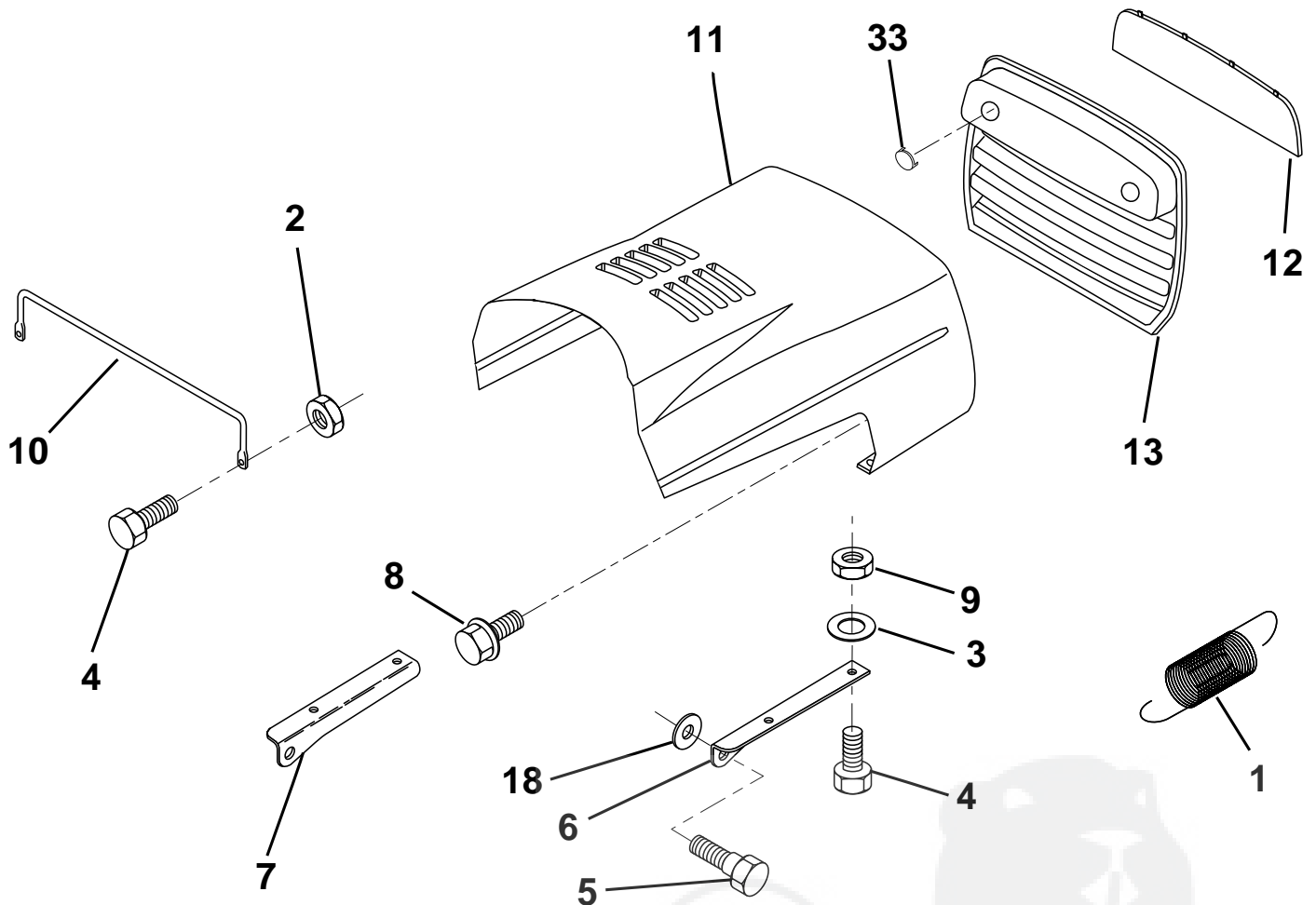
KEY NO.	PART NO.	DESCRIPTION
1	73640400	Nut, Hex, Keps 1/4-20
2	108423X	Assembly, Cable
3	144924	Battery
4	69180	Nut, lock #10-24 UNC
5	108236X	Bracket, Switch
6	109553X	Switch, Interlock, 4 Terminal
7	146374	Keeper, Actuator
8	17021008	Screw, Hex Head, Self-Tapping #10-24 x 1/2
9	140401	Key, Molded
10	141226	Cover, Ignition Key
11	140400	Nut, Ignition
12	163088	Switch, Ignition
15	121305X	Switch, Plunger
17	108824X	Fuse
18	128353	Assembly, Cable
19	146063	Harness, Ignition
20	73350400	Nut, Hex, Jam 1/4-20
21	10090400	Washer, Lock 1/4
22	71110408	Bolt, Hex, Fin. 1/4-20 UNC x 1/2 Grade 5
24	131563	Cover, Terminal
25	145673	Solenoid
26	74760412	Bolt, Hex Head 1/4-20 UNC x 3/4
30	<b>73510400</b>	Nut, Keps Hex, 1/4-20 UNC
36	11150400	Washer, Lock, Internal Tooth 1/4
39	141735	Bracket Switch Clutch
55	17490508	Screw Thdrol 5/16 - 18 x 1/2
70	140413	Harness Engine

**NOTE:** All component dimensions given in U.S. inches  
1 inch = 25.4 mm

# REPAIR PARTS

## TRACTOR - - MODEL NUMBER WEX12H36B

### HOOD



KEY NO.	PART NO.	DESCRIPTION
1	124657X	Spring, Extension
2	73510400	Nut, Hex, Keps 1/4-20 UNC
3	19091416	Washer 9/32 x 7/8 x 16 Ga.
4	74780412	Bolt, Hex, Fin 1/4-20 x 3/4 Grade 5
5	139888	Bolt, Shoulder
6	122549X	Bracket, Hood, R.H.
7	122548X	Bracket, Hood, L.H.
8	17521312	Screw, Sltd. Hex Hd. W/Pl. Washer
9	73800400	Nut, Lock W/Insert 1/4-20
10	123693X	Brace, Hood
11	132918X550	Hood
12	122035X	Lens
13	127029X	Grill
18	19111116	Washer 11/32 x 11/16 x 16 Ga.
33	131319	Plug Socket Light

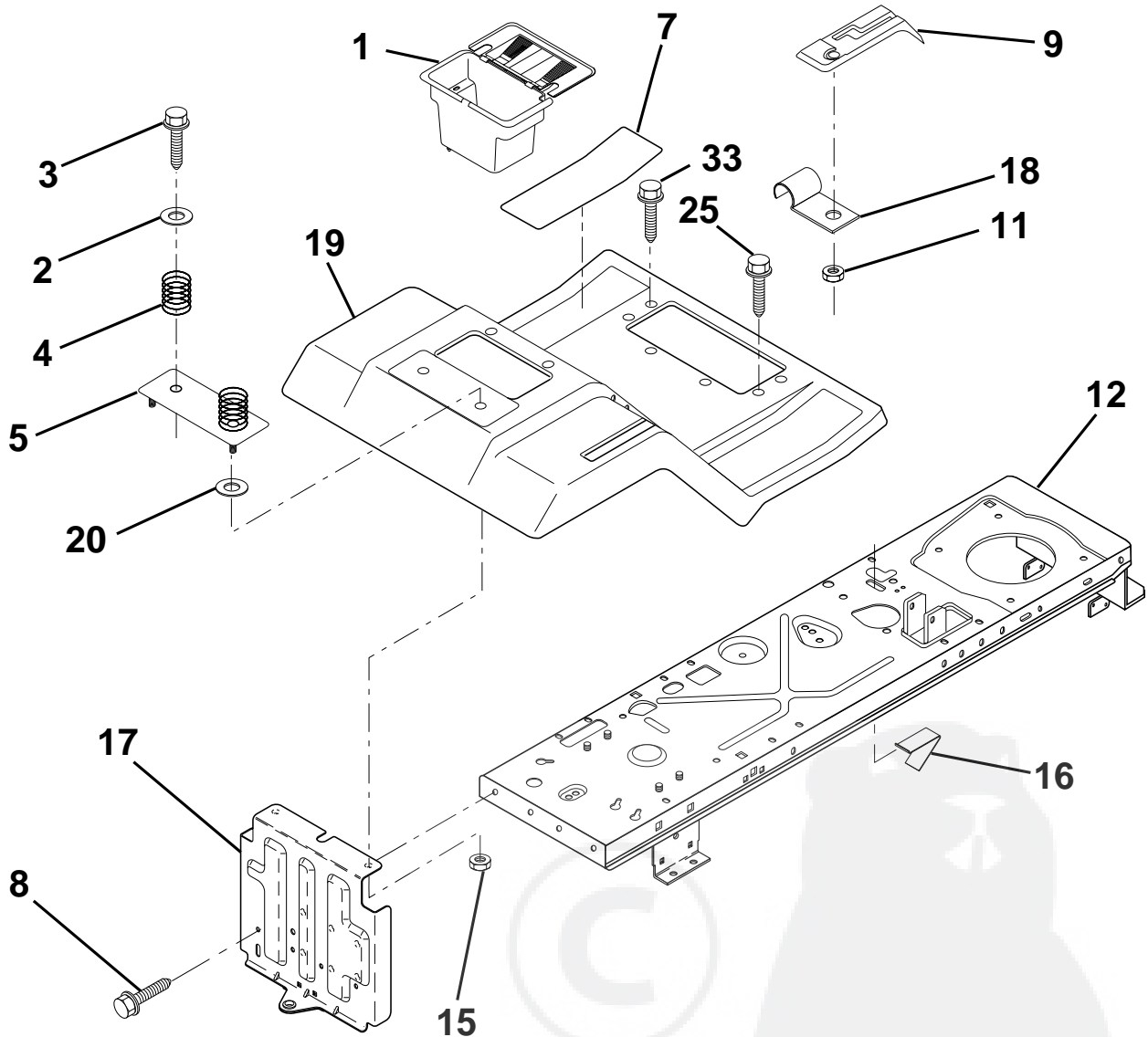
**NOTE:** All component dimensions given in U.S. inches  
1 inch = 25.4 mm.

**HARDWARE SHOWN LARGER FOR EASIER IDENTIFICATION**

# REPAIR PARTS

## TRACTOR - - MODEL NUMBER WEX12H36B

### FENDER / CHASSIS



KEY NO.	PART NO.	DESCRIPTION	KEY NO.	PART NO.	DESCRIPTION
1	156417	Case, Battery	12	145190	Assembly, Frame
2	19132012	Washer 13/32 x 1-1/4 x 12 Gauge	15	73640400	Nut, Hex, Keps 1/4-20
3	17490612	Screw, Hex Washer Head, Thd. Roll. 3/8-16 x 3/4	16	141736	Switch Acuator
4	124181X	Spring, Compression, Seat	17	140782	Drawbar
5	127115X550	Plate, Battery	18	126470X	Clip, Insulated
7	124144X	Pad, Footrest	19	140955X550	Fender/Footrest
8	17490512	Screw, Hex Washer Head, Thd. Roll. 5/16-18 x 3/4	20	19091413	Washer 9/32 x 7/8 x 13 Gauge
9	164891x428	Console, Shift Control	25	17190516	Screw Hex Wsh Thd Roll 5/16 - 18 x1
11	124346X	Nut, Self-Threading 3/16			

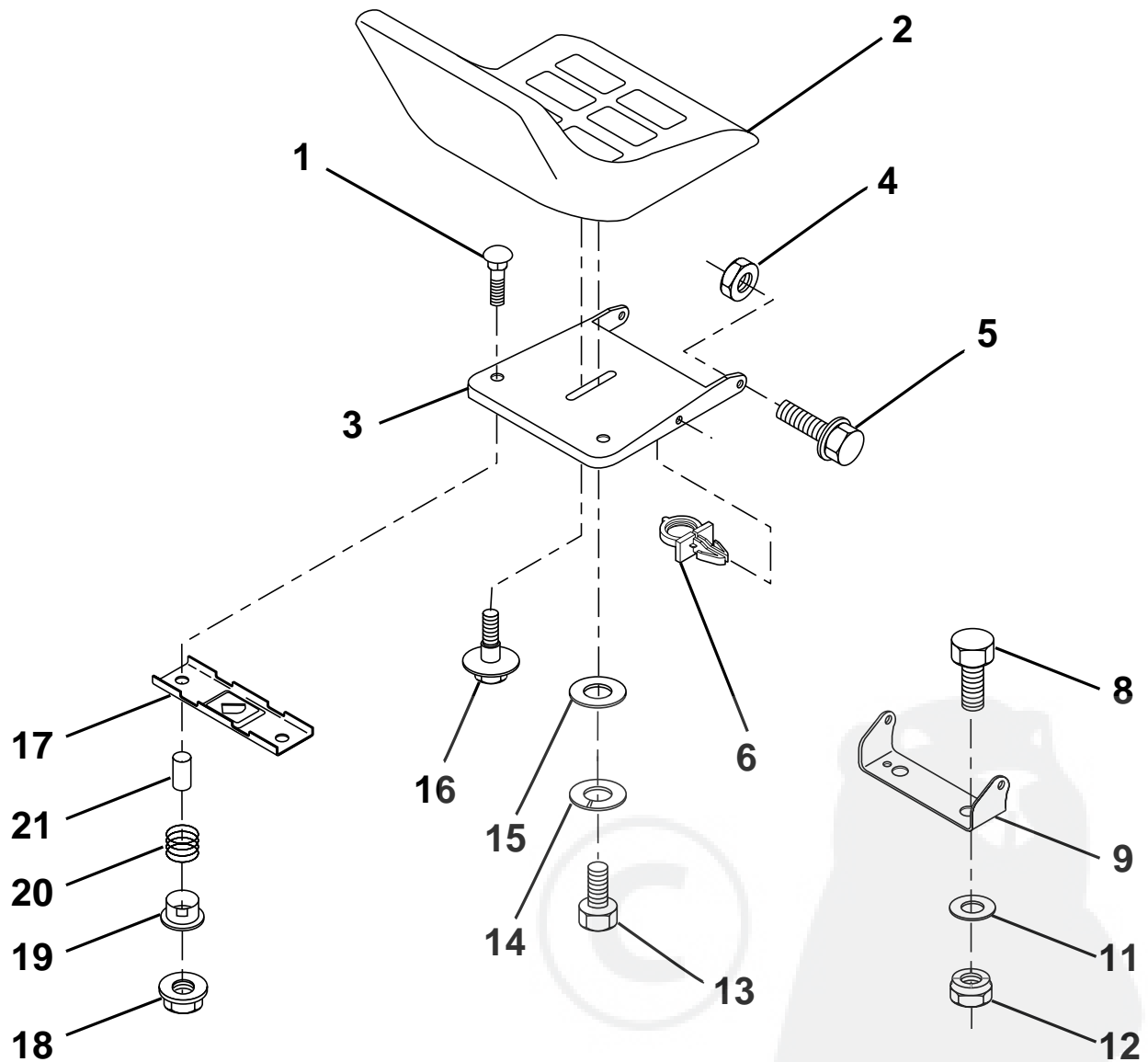
**NOTE:** All component dimensions given in U.S. inches  
1 inch = 25.4 mm.

**HARDWARE SHOWN LARGER FOR EASIER IDENTIFICATION**

# REPAIR PARTS

## TRACTOR - - MODEL NUMBER WEX12H36B

### SEAT



KEY NO.	PART NO.	DESCRIPTION
1	72050412	Bolt, Carriage 1/4-20 x 1-1/2
2	<b>127427</b>	Seat
3	155925	Pan, Seat
4	73800500	Nut, Lock Hex W/Ins. 5/16-18
5	153236	Bolt, Shld. 5/16-18
6	145006	Clip, Push-In
8	74760616	Bolt, Hex, Fin 3/8-16 UNC x 3/4
9	140551	Bracket, Pivot, Seat
11	19133210	Washer 13/32 x 2 x 10 Gauge
12	73800600	Nut, Lock Hex W/Wsh 3/8-16

KEY NO.	PART NO.	DESCRIPTION
13	74780814	Bolt, Fin Hex 1/2 - 13 x 7/8 Gr. 5
14	10040800	Washer Lock Hvy HLCL Spr. 1/2
15	19171912	Washer 17/32 x 13/16 x 12 Gauge
16	127018X	Bolt, Shoulder
17	121246X	Bracket, Switch, Mounting
18	123976X	Locknut, Hex, Large, Flange
19	121248X	Bushing, Snap
20	121250X	Spring, Compression
21	134300	Spacer, Split, Large .28 Id. x .96

**NOTE:** All component dimensions given in U.S. inches  
1 inch = 25.4 mm.

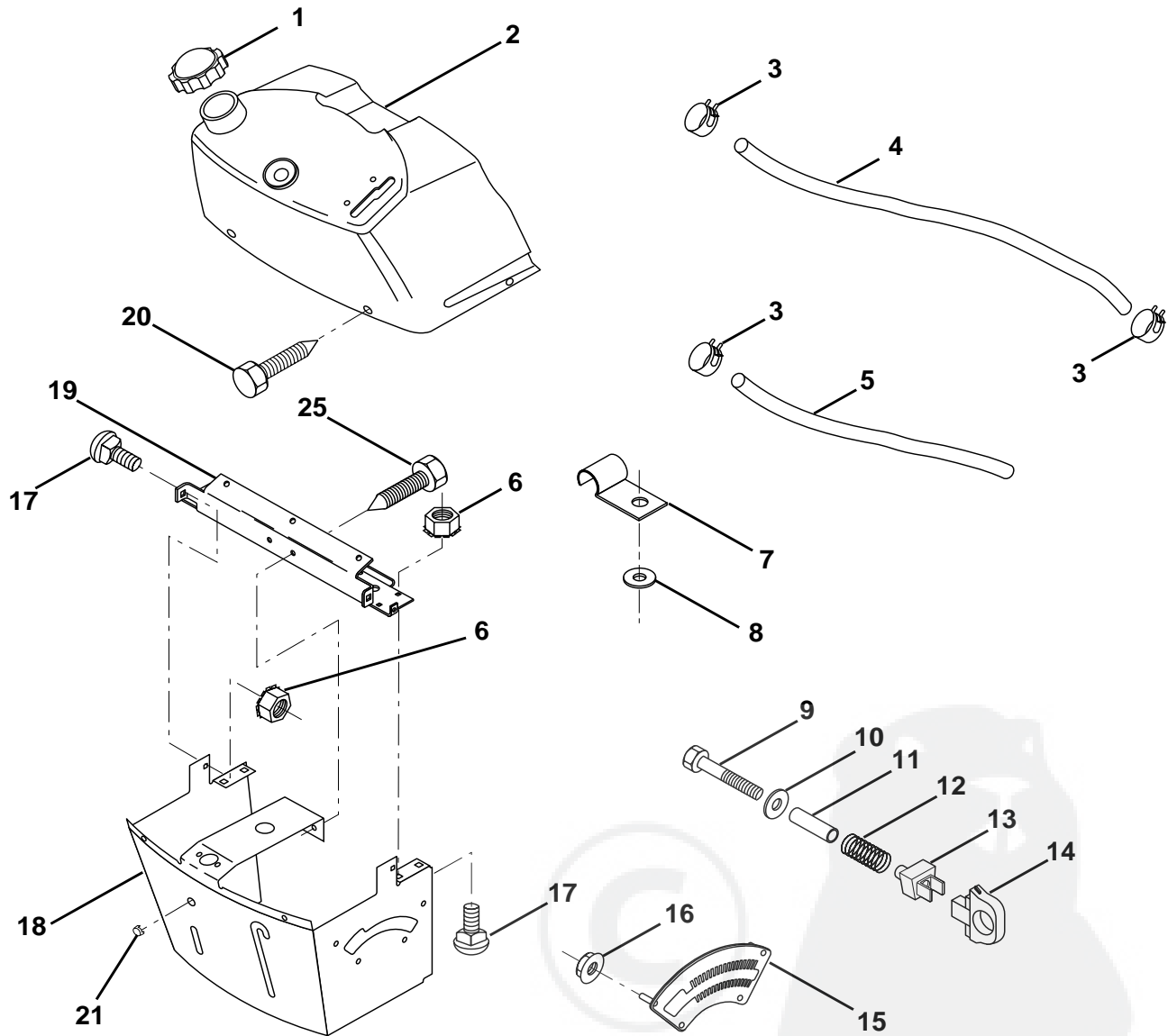
**HARDWARE SHOWN LARGER FOR EASIER IDENTIFICATION**



# REPAIR PARTS

## TRACTOR - - MODEL NUMBER WEX12H36B

### DASH



KEY NO.	PART NO.	DESCRIPTION
1	141523	Cap, Fuel
2	138393	Assembly, Dash & Fuel Tank
3	123487X	Clamp, Hose
4	8544R	Line, Fuel
5	8548R	Line, Fuel
6	73640400	Nut, Hex, Keps 1/4-20
7	2751R	Clip, Fuel Line
8	19091216	Washer 9/32 x 3/4 x 16 Gauge
9	74760428	Bolt, Hex, Fin. 1/4-20 x 1-3/4
10	19091413	Washer 11/32 x 11/16 x 16 Gauge
11	121249X	Spacer, Split

KEY NO.	PART NO.	DESCRIPTION
12	3720R	Spring
13	126450X	Clip, Height Adjustment
14	126115X	Knob, Height Stop
15	122023X	Adjustment, Quadrant Height
16	124346X	Nut, Self-Threading 3/16-18
17	72110404	Bolt, Carriage 1/4-20 x 1/2 Grade 5
18	130745	Support Assembly, Dash
19	134744	Brace, Cross
20	17060408	Screw, Tap 1/4-20 x 1/2
21	134014	Plug, Dome

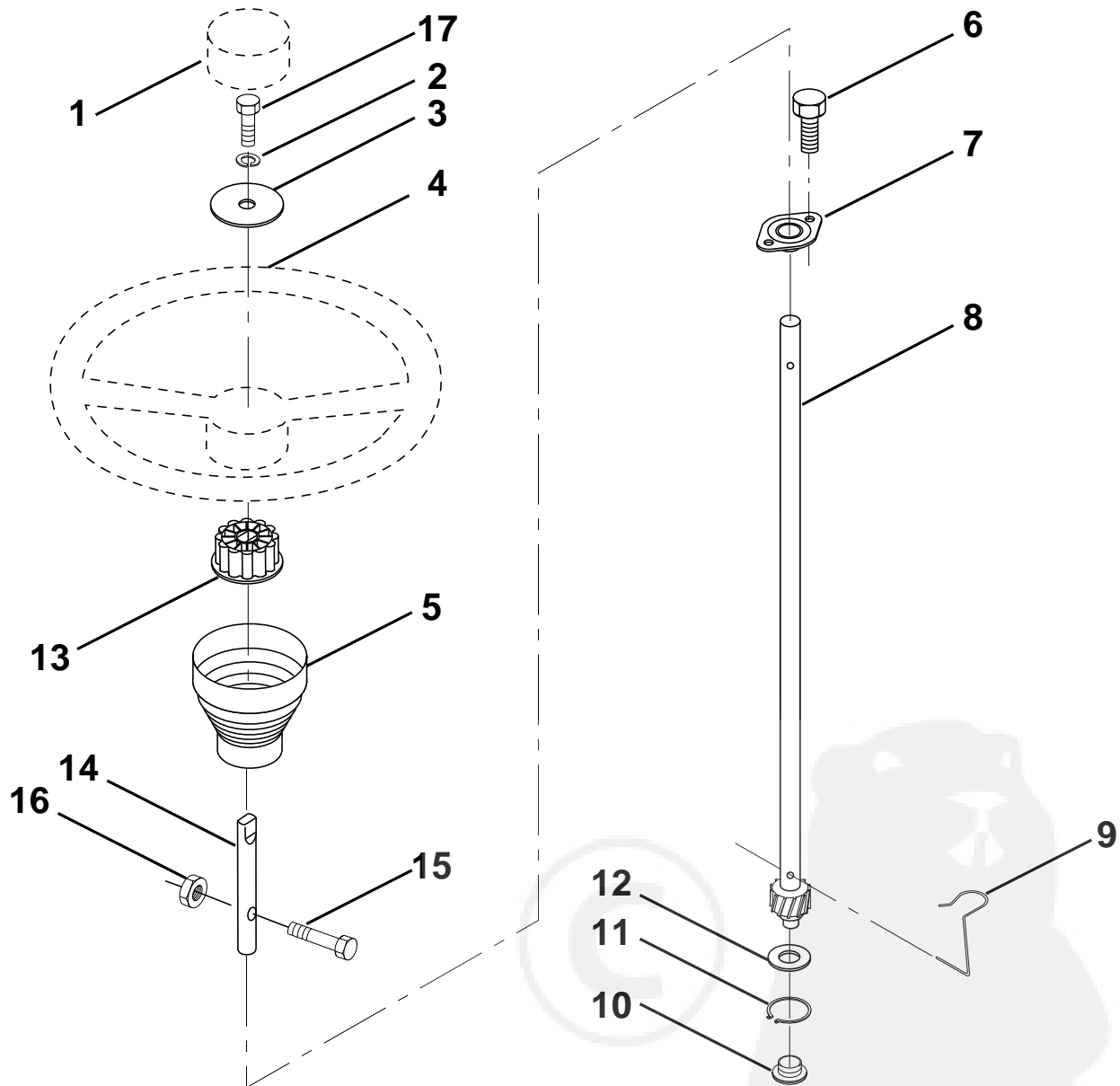
**NOTE:** All component dimensions given in U.S. inches  
1 inch = 25.4 mm.

**HARDWARE SHOWN LARGER FOR EASIER IDENTIFICATION**

# REPAIR PARTS

## TRACTOR - - MODEL NUMBER WEX12H36B

### STEERING WHEEL



KEY NO.	PART NO.	DESCRIPTION
1	133742	Insert, Steering Wheel
2	10040600	Washer, Lock Hvy. Hlcl Spr 3/8
3	19133808	Washer 13/32 x 2-3/8 x 8 Ga.
4	133741	Wheel, Steering
5	121897X	Sleeve, Steering
6	152927	Screw, TT #10-32 5 3/8 Flange
7	155104	Bushing, Steering
8	147391	Shaft, Steering
9	124210X	Clip, Steering
10	123438X	Bushing, Lower, Steering

KEY NO.	PART NO.	DESCRIPTION
11	12000045	Ring, Retaining
12	19211616	Washer 21/32 x 1 x 16 Ga.
13	100711L	Adaptor, Steering Wheel
14	153720	Extension Shaft Steering
15	74780520	Bolt Fin Hex 5/16-18 UNC x 1-1/4
16	73800500	Nut Lock Hx W/Insert 5/16-18 UNC
17	74780616	Bolt, Fin Hex 3/8-16 Unc x 1 Gr. 5

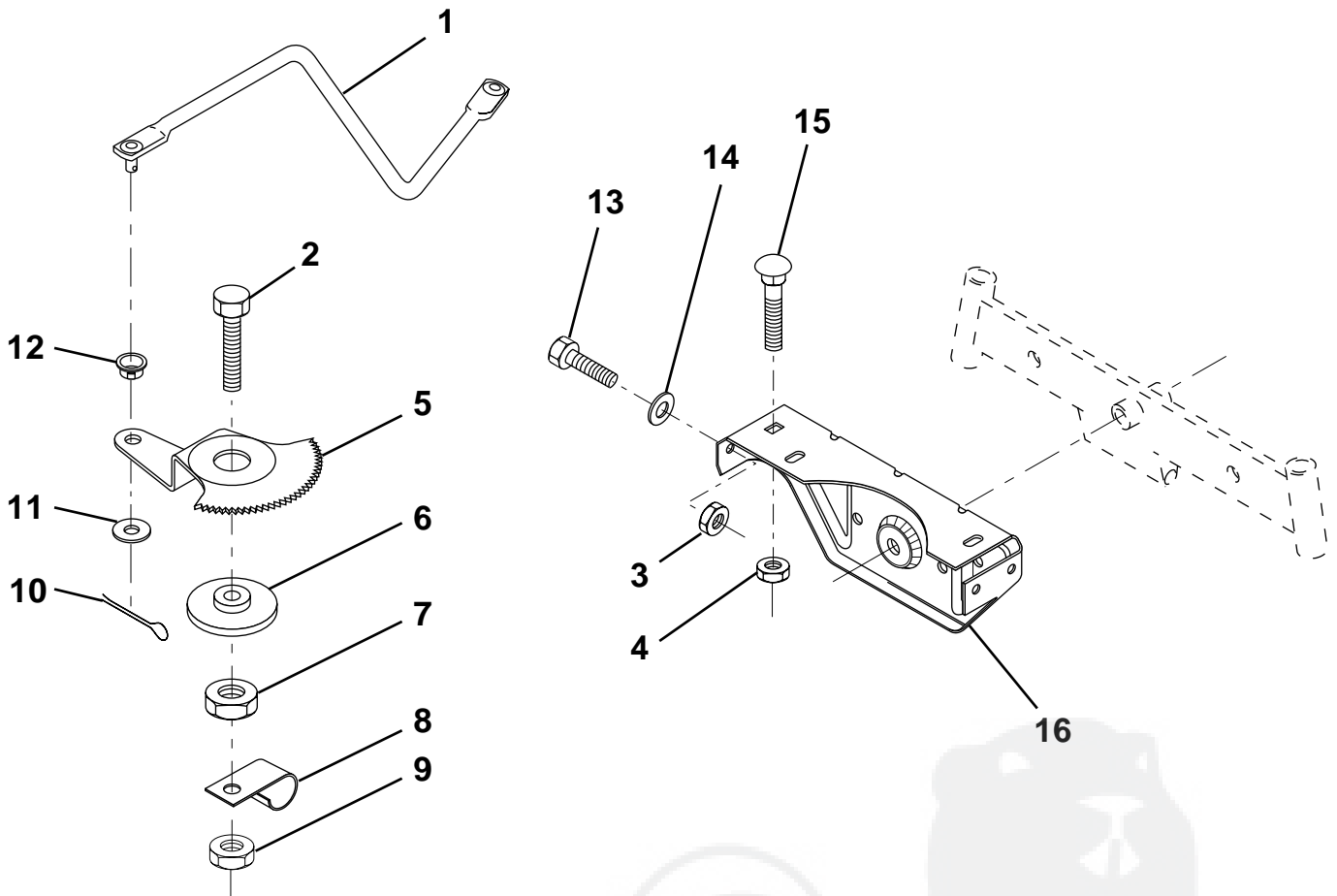
**NOTE:** All component dimensions given in U.S. inches.  
1 inch = 25.4 mm.

**HARDWARE SHOWN LARGER FOR EASIER IDENTIFICATION**

# REPAIR PARTS

TRACTOR - - MODEL NUMBER WEX12H36B

## SECTOR GEAR / AXLE SUPPORT



KEY NO.	PART NO.	DESCRIPTION
1	132566	Link, Drag
2	74780828	Bolt, Hex, Fin 1/2-13 x 1-3/4
3	73680500	Nut, Crownlock 5/16-18
4	73680600	Nut, Crownlock 3/8-16 UNC
5	121926X	Gear, Sector
6	121927X	Bushing
7	73030800	Nut, Heavy, Hex, Top Lock 1/2-13 UNC
8	126472X	Clip, Wire
9	73680800	Nut, Crownlock 1/2-13
10	76020412	Pin, Cotter 1/8 x 3/4
11	19131316	Washer 13/32 x 13/16 x 16 Ga.
12	126847X	Bushing
13	74760512	Bolt, Hex 5/16-18 x 3/4
14	19111416	Washer 11/32 x 7/8 x 16 Ga.
15	72110606	Bolt, Carriage 3/8-16 UNC x 3/4
16	137096	Support, Front Axle

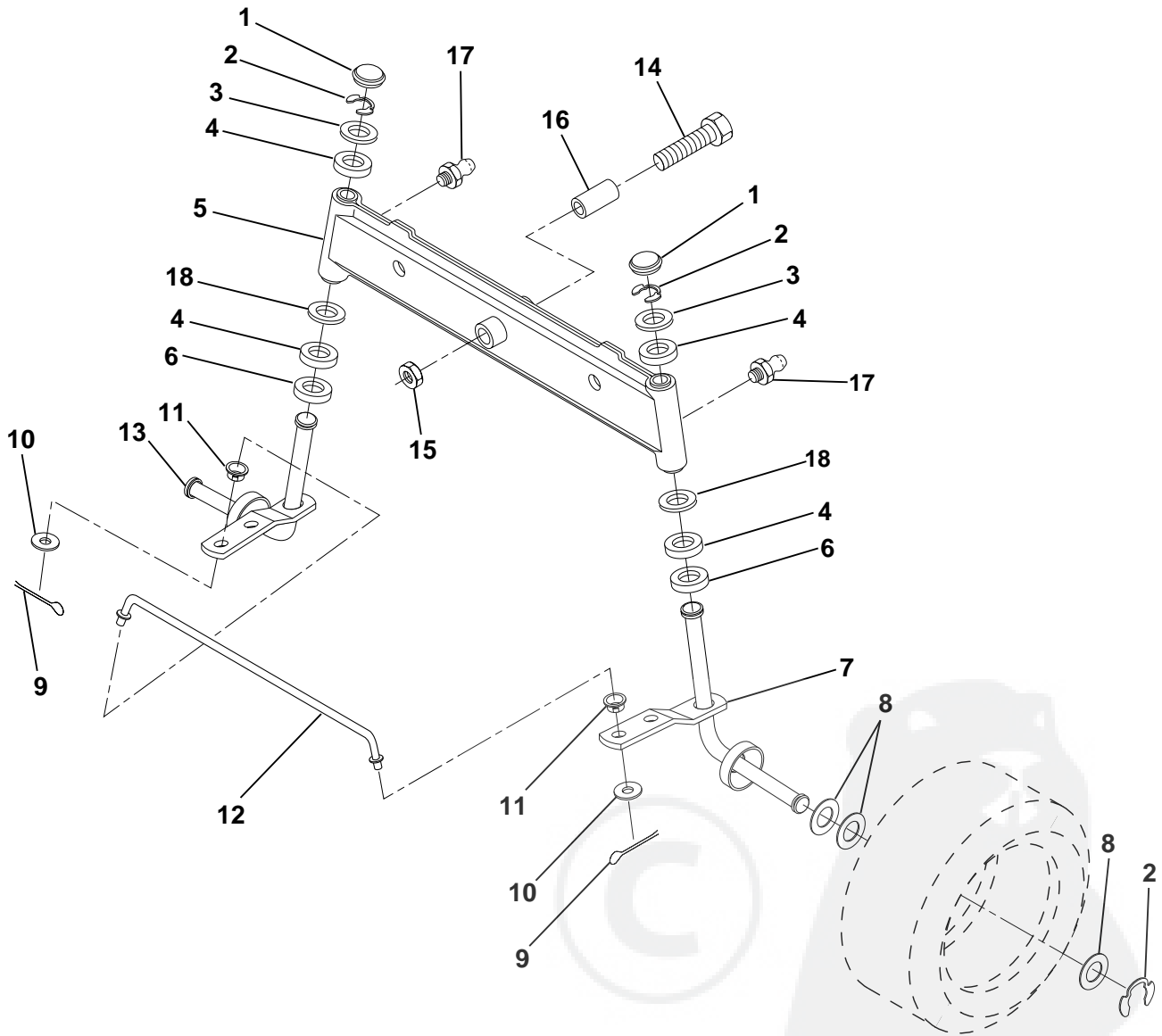
**NOTE:** All component dimensions given in U.S. inches  
1 inch = 25.4 mm.

**HARDWARE SHOWN LARGER FOR EASIER IDENTIFICATION**

# REPAIR PARTS

## TRACTOR - - MODEL NUMBER WEX12H36B

### FRONT AXLE



KEY NO.	PART NO.	DESCRIPTION
1	121232X	Cap, Spindle
2	12000029	Ring, Klip
3	121748X	Washer 25/32 x 1-5/8 x 16 Gauge
4	3366R	Bearing
5	142033	Axle, Front
6	6266H	Bearing, Thrust
7	161826	Spindle Assembly, R.H.
8	121749X	Washer 25/32 x 1-1/4 x 16 Gauge
9	76020412	Pin, Cotter 1/8 x 3/4
10	19131316	Washer 13/32 x 13/16 x 16 Gauge

KEY NO.	PART NO.	DESCRIPTION
11	126847X	Bushing
12	130465	Rod, Tie
13	161827	Spindle Assembly, L.H.
14	74011056	Bolt, Hex 5/8-11 x 3-1/2
15	73901000	Nut, Lock Flange 5/8-11
16	110438X	Spacer
17	6855M	Fitting, Grease
18	19272016	Washer 27/32 x 1-1/4 x 16 Ga.

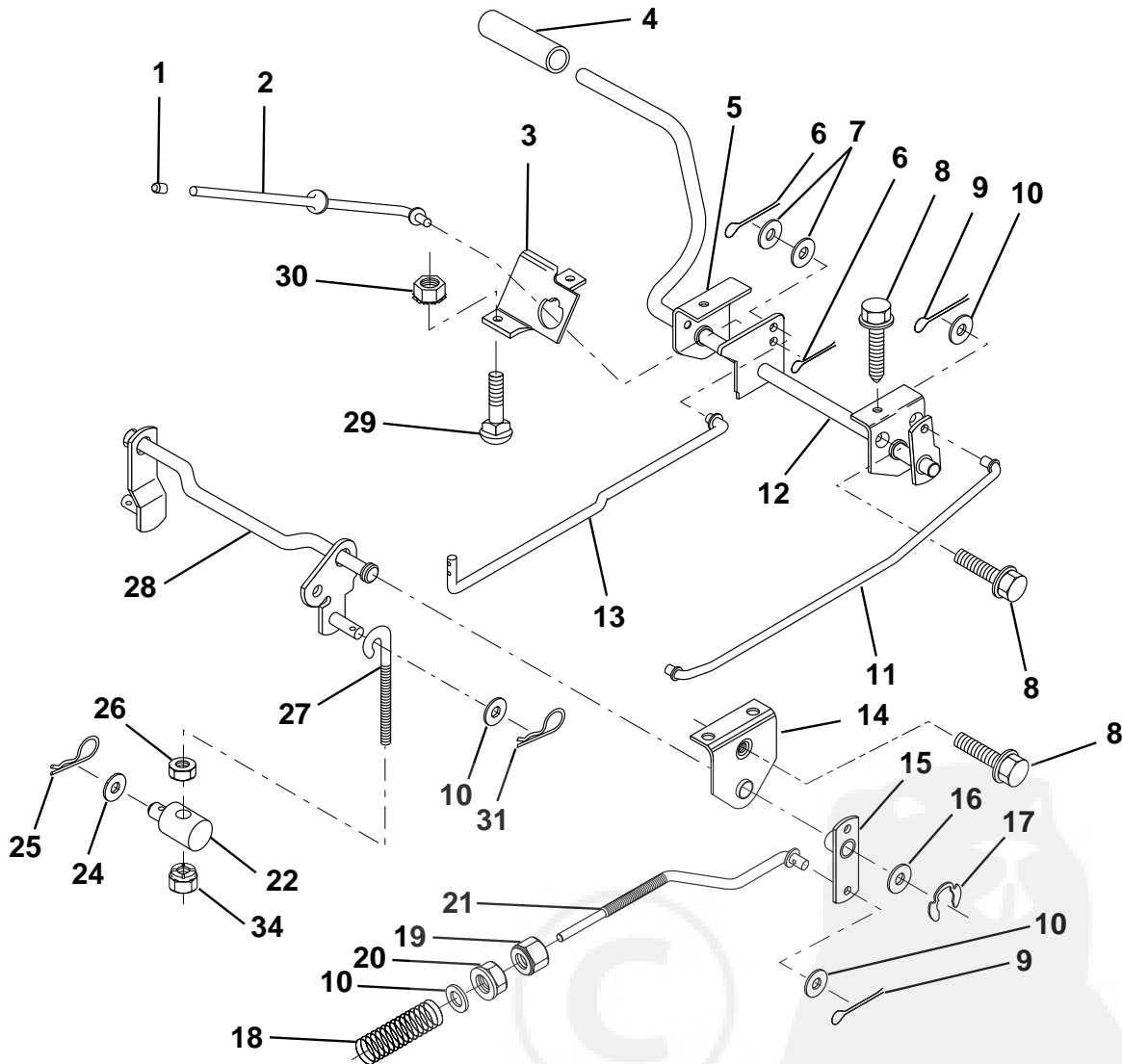
**NOTE:** All component dimensions given in U.S. inches  
1 inch = 25.4 mm.

**HARDWARE SHOWN LARGER FOR EASIER IDENTIFICATION**

# REPAIR PARTS

## TRACTOR - - MODEL NUMBER WEX12H36B

### BRAKE / REAR MOWER LIFT ASSEMBLY



KEY NO.	PART NO.	DESCRIPTION	KEY NO.	PART NO.	DESCRIPTION
1	71673	Cap, Plunger	16	19251816	Washer 25/32 x 1-1/8 x 16 Ga.
2	123436X	Rod, Parking Brake	17	12000034	Ring, Klip
3	123437X	Bracket, Parking Brake	18	151332	Spring, Brake Rod
4	8156H	Cover, Pedal	19	73350600	Nut, Hex, Jam 3/8-16 UNC
5	122504X	Bracket, Clutch/Brake Pedal, L.H.	20	73800600	Nut, Lock Hex w/Ins 3/8-16 UNC
6	76020312	Pin, Cotter 3/32 x 3/4	21	144413	Rod, Brake
7	19131016	Washer 13/32 x 5/8 x 16 Ga.	22	144585	Trunnion, Lift
8	17490508	Screw, Hex. Thdrol. 5/16-18 x 1/2	24	19132012	Washer 13/32 x 1-1/4 x 12 Ga.
9	76020412	Pin, Cotter 1/8 x 3/4	25	4921H	Retainer, Spring
10	19131316	Washer 13/32 x 13/16 x 16 Ga.	26	73930600	Nut, Centerlock 3/8-16 UNC
11	123543X	Rod, Brake, Front	27	127369X	Link, Threaded
12	139933	Assembly, Clutch/Brake	28	140776	Assembly, Rear Mower Lift
13	123394X	Rod, Clutch	29	72110506	Bolt, Carriage 5/16-18 UNC x 3/4
14	121978X	Bracket, Lift Shaft	30	73510500	Nut, Keps 5/16-16 UNC
15	133332	Assembly, Brake Pivot Arm	31	3146R	Retainer, Spring, Zinc
			34	73680600	Nut, Crownlock 3/16-18

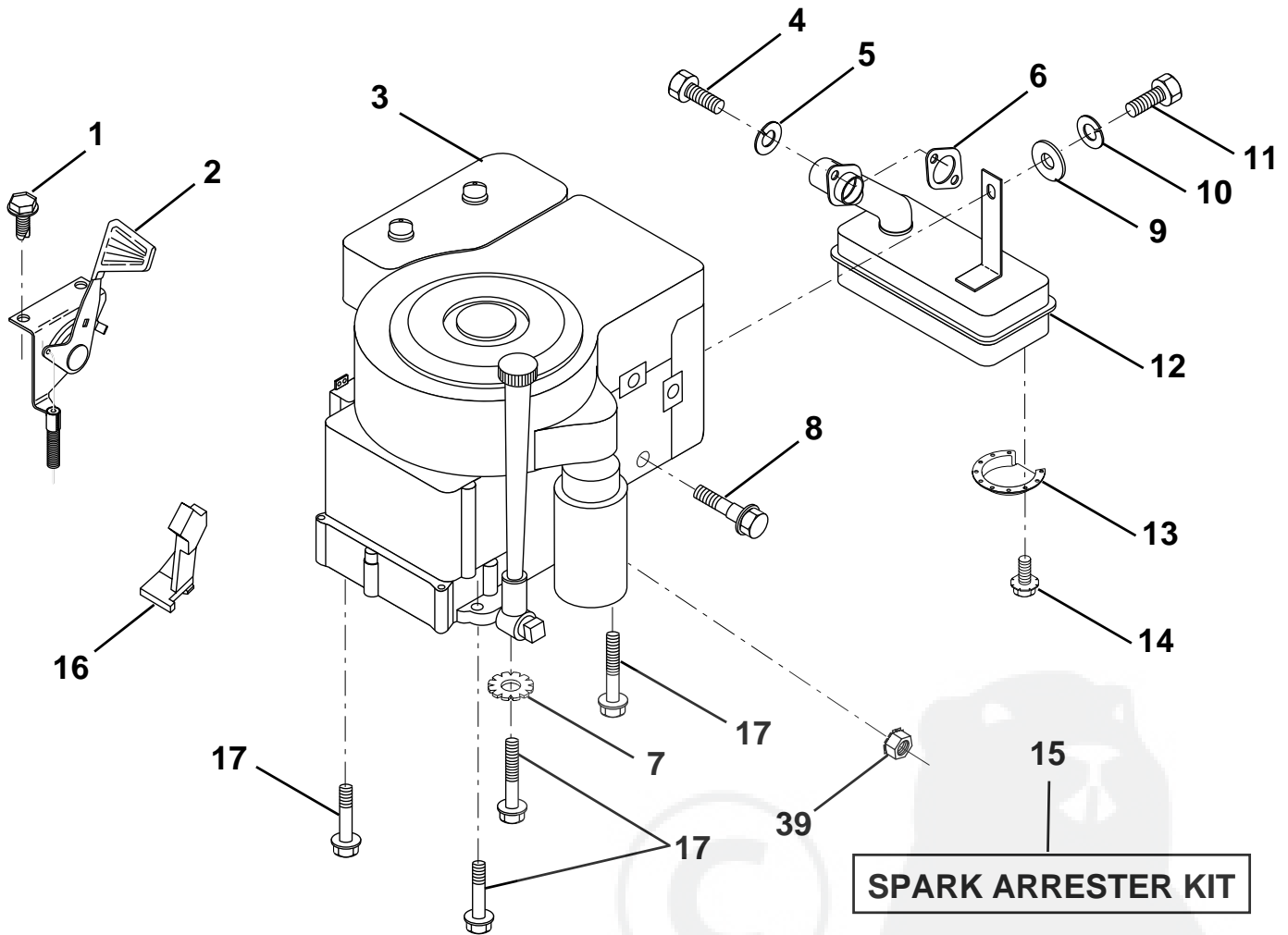
**NOTE:** All component dimensions given in U.S. inches  
1 inch = 25.4 mm.

**HARDWARE SHOWN LARGER FOR EASIER IDENTIFICATION**

# REPAIR PARTS

## TRACTOR - - MODEL NUMBER WEX12H36B

### ENGINE / THROTTLE



KEY NO.	PART NO.	DESCRIPTION
1	17060408	Screw, Hex, Thread Cutting 1/4-20 x 1/2
2	133025	Control, Throttle
3	-----	Engine, B&S, Model #289707 (Order parts from engine manufacturer)
4	71070512	Screw, Hex Hd
5	10040500	Washer, Lock, Heavy Helical Spring 5/16
6	<b>165291</b>	Gasket, Exhaust
7	11050600	Washer Lock Ext Tooth 3/8
8	121094X	Bolt, Shoulder 5/16 UNC
9	19101216	Washer 5/16 x 3/4 x 16 Gauge

KEY NO.	PART NO.	DESCRIPTION
10	10040400	Washer, Lock, Hvy Hlcl Spring 1/4
11	-----	Bolt, Order from Engine Mfg.
12	137437	Muffler
13	101326L	Deflector, Muffler
14	17030808	Screw, Spiderlock
15	137180	Kit, Spark Arrester (Optional)
16	127951	Stop, Choke
17	17490624	Screw, Hex Washer Head, Thd. Roll. 3/8-16 x 1-1/2
39	128861	Nut Flange 1/4-20

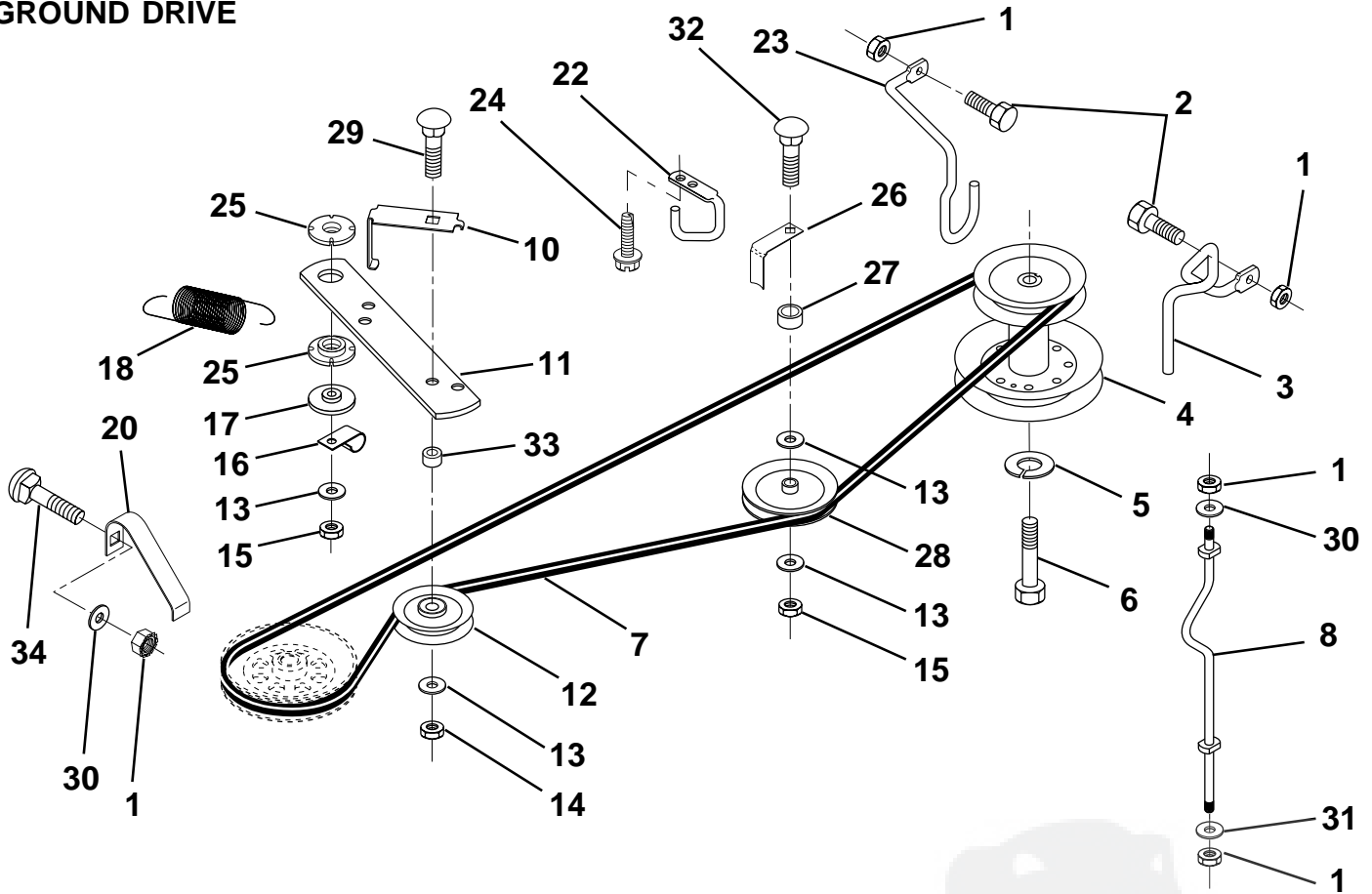
**NOTE:** All component dimensions given in U.S. inches  
1 inch = 25.4 mm

**HARDWARE SHOWN LARGER FOR EASIER IDENTIFICATION**

# REPAIR PARTS

## TRACTOR - - MODEL NUMBER WEX12H36B

### GROUND DRIVE



KEY NO.	PART NO.	DESCRIPTION
1	73800500	Nut, Lock, Hex. w/Ins. 5/16-18
2	74760512	Bolt, Hex. Hd 5/16-18 x 3/4
3	141297	Keeper, Belt, Mower Drive, R. H.
4	138029	Pulley, Engine
5	10040700	Washer, Lock 7/16
6	71170744	Bolt, Hex., 7/16-20 Gr.5
7	140910	Traction, V-Belt Drive
8	140785	Keeper, Belt, R.H. Hydro
10	140780	Keeper, Belt, Ground Drive, Idler
11	150926	Arm, Ground Drive Clutch
12	123674X	Idler, Flat
13	19131316	Washer 13/32 x 13/16 x 16 Ga.
14	73930600	Nut, Centerlock 3/8-16 UNC
15	73680600	Nut, Crownlock 3/8-16
16	126471X	Clip, Insulated
17	150932	Spacer, Retainer

KEY NO.	PART NO.	DESCRIPTION
18	131459	Spring, Extension
20	140909	Keeper, Belt, L.H.
22	123404X	Keeper, Belt, Frame, Ground Drive
23	140916	Keeper, Belt, Front, L. H.
24	17720408	Screw, Thd. Cut 1/4-20 x 1/2
25	150935	Bushing, Nylon
26	140913	Keeper, Belt
27	140914	Spacer
28	139123	Pulley, V-Idler
29	72140618	Bolt, Carr. 3/8-16 UNC x 2-1/4
30	19111116	Washer
31	19111216	Washer
32	72140620	Bolt, Carriage
33	160J	Sleeve, Pivot
34	72140506	Bolt, Carriage

**NOTE:** All component dimensions given in U.S. inches  
1 inch = 25.4 mm

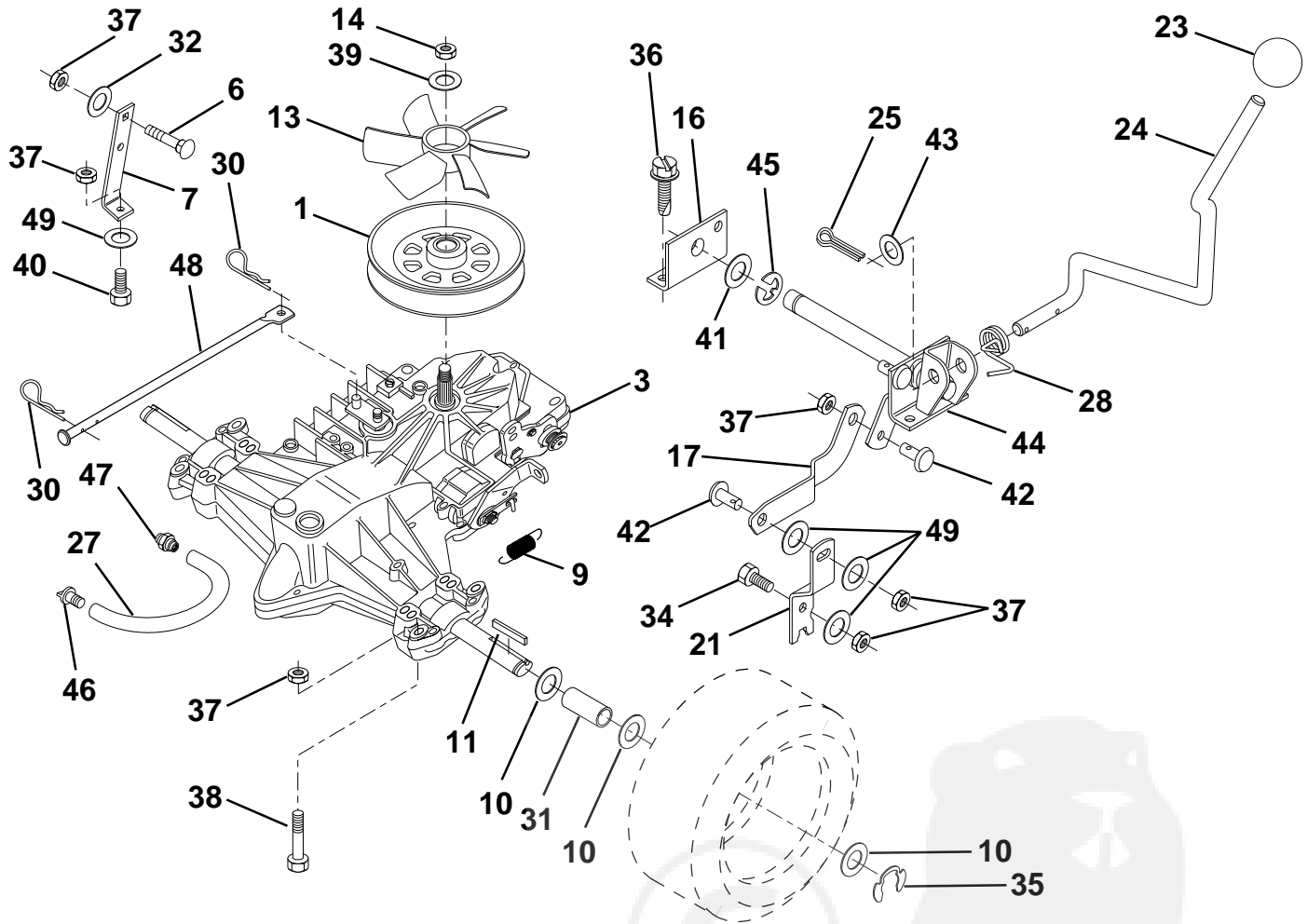
**HARDWARE SHOWN LARGER FOR EASIER IDENTIFICATION**



# REPAIR PARTS

## TRACTOR - - MODEL NUMBER WEX12H36B

### TRANSAXLE



KEY NO.	PART NO.	DESCRIPTION
1	140779	Pulley, V-Groove
3	-----	Transaxle, Hydro 0310-0500 (Order parts from transaxle manufacturer)
6	72140506	Bolt, Carriage
7	140774	Strap, Torque
9	146682	Spring, Brake
10	121749X	Washer 25/32 x 1-1/4 x 16 Gauge
11	123583X	Key, Square
13	140778	Fan, Transaxle, Hydro
14	73750800	Nut Lock
16	140763	Support, Shift Handle
17	140767	Link, Shift
21	140773	Lever, Shift
23	106933X	Knob, Shifter
24	140765	Rod, Shifter
25	76020416	Pin, Cotter
27	142564	Hose, Vent
28	140772	Spring, Torsion
30	4497H	Retainer, Spring

KEY NO.	PART NO.	DESCRIPTION
31	121199X	Spacer
32	19111116	Washer
34	74760516	Bolt, Rdhd 5/16-18 x 1
35	12000001	E-Ring
36	17720408	Screw, Thd. Cut 1/4-20 x 1/2
37	73800500	Nut
38	74490540	Bolt, Hex Head
39	19171912	Washer
40	74760524	Bolt
41	19212013	Washer 21/32 x 1-1/4 x 13 Gauge
42	140769	Pin, Pivot
43	19171216	Washer
44	156047	Pivot Shaft Assembly
45	12000002	E-Ring
46	-----	Cap, Vent Hose
47	-----	Nipple, Vent Hose
48	140912	Actuator, Bypass, Hydro
49	19111216	Washer

**NOTE:** All component dimensions given in U.S. inches  
1 inch = 25.4 mm.

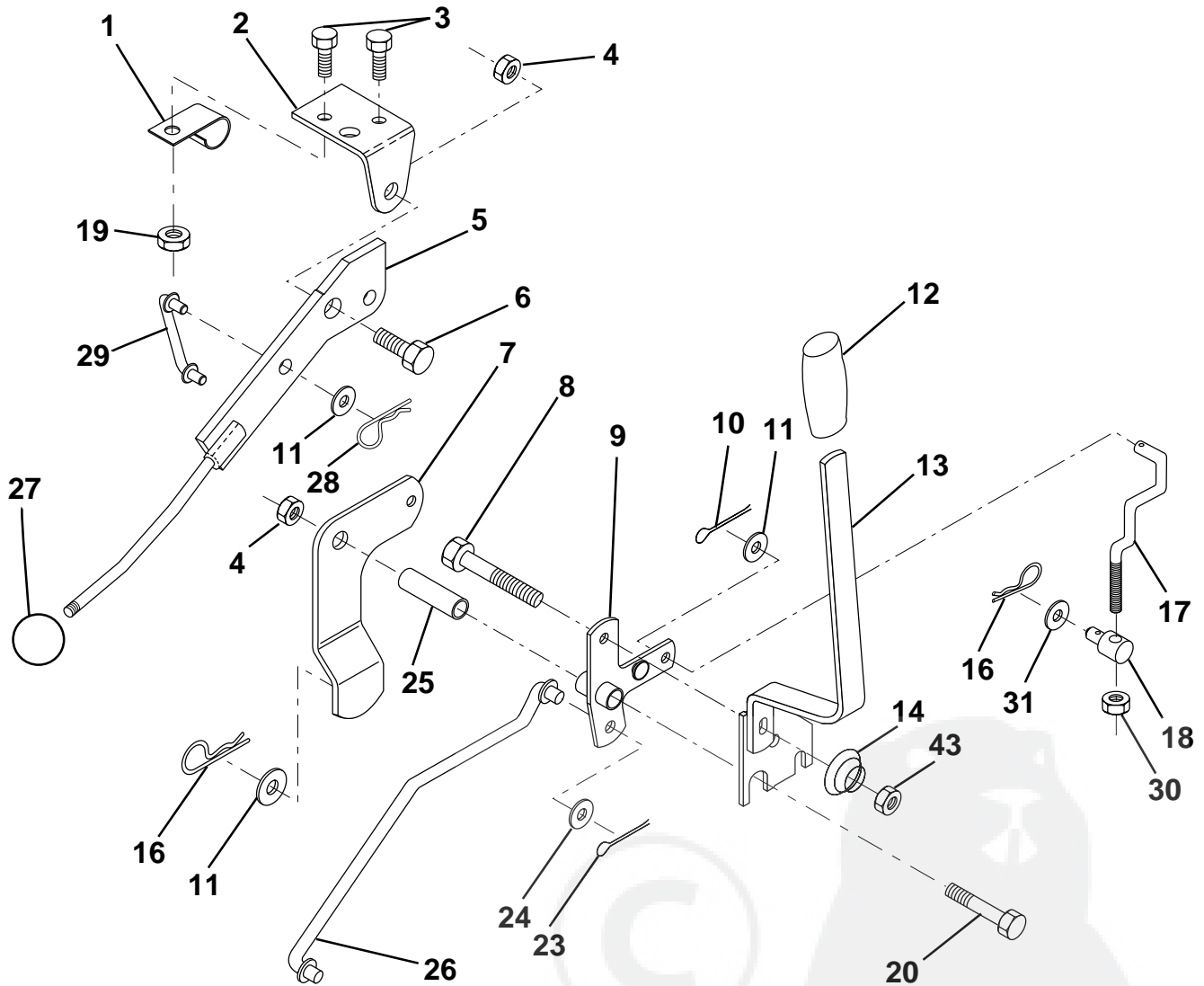
**HARDWARE SHOWN LARGER FOR EASIER IDENTIFICATION**



# REPAIR PARTS

## TRACTOR - - MODEL NUMBER WEX12H36B

### MOWER LIFT LEVER



KEY NO.	PART NO.	DESCRIPTION	KEY NO.	PART NO.	DESCRIPTION
1	126470X	Clip, Insulated	17	127359	Link, Front Lift
2	122018X	Bracket, Mower Clutch	18	142028	Trunnion, Threaded 3/8-16
3	71110408	Bolt, Hex, Fin 1/4-20 UNC x 1/2 Grade 5	19	73680400	Nut, Keps 1/4-20
4	73680600	Nut, Crownlock 3/8-16	20	74760644	Bolt, Hex, Fin. 3/8-16 UNC x 2-3/4
5	145187	Assembly, Clutch Lever	23	76020416	Pin, Cotter 1/8 x 1
6	106451X	Bolt, Shoulder	24	19171612	Washer 17/32 x 1 x 16 Gauge
7	135371	Assembly, Mower Clutch Arm	25	121933X	Tube, Spacer
8	74760636	Bolt, Hex 3/8-16 UNC x 2-1/4	26	141470	Rod, Mower Lift
9	121930X	Assembly, Bellcrank, Lift	27	106932X	Knob, Rd
10	76020412	Pin, Cotter 1/8 x 3/4	28	<b>4497H</b>	Retainer Spring
11	19131316	Washer 13/32 x 13/16 x 16 Gauge	29	131655	Link, Mower Clutch
12	131861	Sleeve, Handle	30	73350600	Nut, Hex Jam 3/8-16
13	139352	Assembly, Lift Handle	31	19132012	Washer 13/32 x 1-1/4 x 12 Ga.
14	123496X	Spring, Compression	43	<b>73900600</b>	Nut Lock Flg 3/8-16unc
16	4921H	Retainer, Spring			

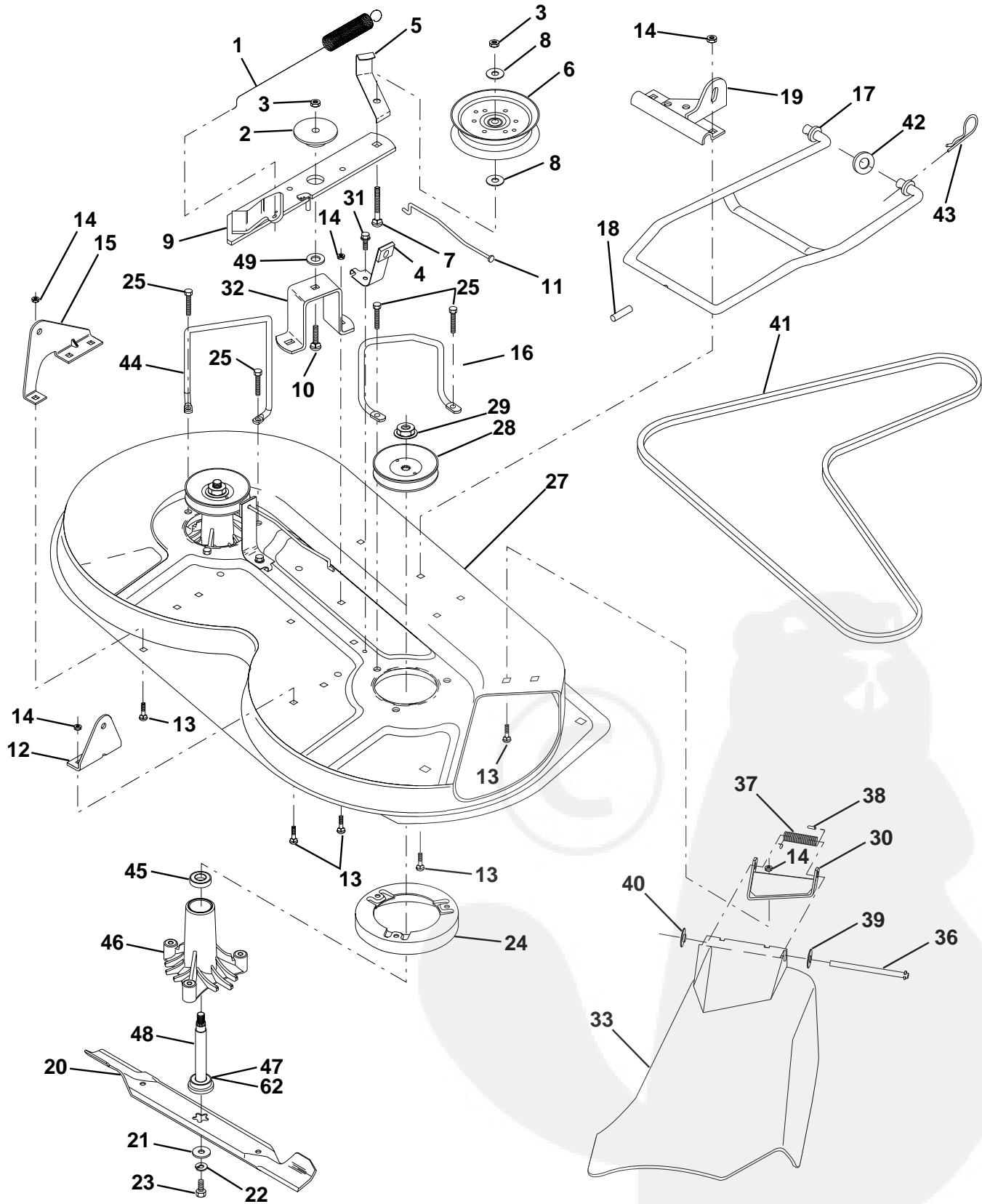
**NOTE:** All component dimensions given in U.S. inches  
1 inch = 25.4 mm.

**HARDWARE SHOWN LARGER FOR EASIER IDENTIFICATION**

# REPAIR PARTS

## TRACTOR - - MODEL NUMBER WEX12H36B

### MOWER DECK



HARDWARE SHOWN LARGER FOR EASIER IDENTIFICATION

# REPAIR PARTS

## TRACTOR - - MODEL NUMBER WEX12H36B

### MOWER DECK

KEY NO.	PART NO.	DESCRIPTION
1	140064	Spring, Mower Clutch
2	122052X	Spacer, Retainer
3	73680600	Nut, Crownlock 3/8-16
4	130840	Assembly, Brake
5	131251	Guide, Belt Idler
6	121316X	Idler, Flat
7	72110616	Bolt, Carriage 3/8-16 x 2 Grade 5
8	19131410	Washer 13/32 x 7/8 x 10 Gauge
9	127744	Assembly, Mower Idler Arm
10	72140610	Bolt, Carriage 3/8-16 x 1-1/4
11	130841	Rod, Brake
12	127356	Bracket, Rear Lift, R.H.
13	72140506	Bolt, Carriage 5/16-18 UNC x 5/8
14	73680500	Nut, Crownlock 5/16-18
15	127357	Bracket, Rear Lift, L.H.
16	153298	Keeper, R.H.
17	128508	Stabilizer, Mower Link
18	128511	Pin, Drive
19	127380	Bracket, Stabilizer Link
20	138496	Blade, Mwr 36 High Lift
21	140296	Washer, Hard Blade Mower Vented
22	10030600	Washer, Lock, Heavy 3/8
23	850857	Bolt 3/8-24 x 1-1/4 Grade 8
24	140329	Stripper
25	157722	Screw, Thdrol. Washer Hd
27	156600	Housing, Mower
28	153531	Pulley, Mandrel
29	137266	Nut, Flangelock 9/16
30	136631	Bracket, Deflector
31	17490508	Screw, Hex Washer Head, Thd. Roll. 5/16-18 x 1/2
32	122051X	Arm, Support Idler, Mower
33	131560	Shield, Deflector
36	121980X	Rod, Hinge
37	123713X	Spring, Torsion Deflector
38	105304X	Cap, Sleeve
39	19111016	Washer 11/32 x 5/8 x 16 Gauge
40	110452X	Nut, Push
41	131264	V-Belt
42	19171616	Washer 11/32 x 5/8 x 16 Gauge
43	3146R	Clip, Hairpin
44	140608	Keeper, L.H.
45	110485X	Bearing
46	128774	Housing, Mandrel, Vented
47	129895	Bearing
48	137645	Shaft, Mandrel (Includes Key Number 47)
49	133943	Washer, Hardened
62	153390	Washer, Felt
--	130794	Mandrel Assembly (Includes Key Numbers 21-23, 26, 29 and 45-48)
--	156866	Deck, Serv 36 HP

**NOTE:** All component dimensions given in U.S. inches 1 inch = 25.4 mm.

## LIMITED WARRANTY

The Manufacturer warrants to the original consumer purchaser that this product as manufactured is free from defects in materials and workmanship. For a period of one (1) year from date of purchase by the original consumer purchaser, we will repair or replace, at our option, without charge for parts or labor incurred in replacing parts, any part which we find to be defective due to materials or workmanship. This Warranty is subject to the following limitations and exclusions.

1. This warranty does not apply to the engine. Please contact your nearest dealer where they will send the machine to the engine manufacturer.
2. Transportation charges for the movement of any power equipment unit or attachment are the responsibility of the purchaser. Transportation charges for any parts submitted for replacement under this warranty must be paid by the purchaser unless such return is requested by your dealer.
3. Battery Warranty: On products equipped with a Battery, we will replace, without charge to you, any battery which we find to be defective in manufacture, during the first ninety (90) days of ownership. After ninety (90) days, we will exchange the Battery, charging you 1/12 of the price of a new Battery for each full month from the date of the original sale. Battery must be maintained in accordance with the instructions furnished.
4. The Warranty period for any products used for rental or commercial purposes is limited to 90 days from the date of original purchase.
5. This Warranty applies only to products which have been properly assembled, adjusted, operated, and maintained in accordance with the instructions furnished. This Warranty does not apply to any product which has been subjected to alteration, misuse, abuse, improper assembly or installation, delivery damage, or to normal wear of the product.
6. Exclusions: Excluded from this Warranty are belts, blades, blade adapters, normal wear, normal adjustments, standard hardware and normal maintenance.
7. In case of any problem within the boundaries of this warranty, contact the nearest department store, indicate the model number, serial number and the date of purchase of your machine. This warranty does not apply to accidental damages. All implicit warranties are limited to the same time frames. Or contact:

E.M. Services  
54 Rue Lambrechts  
92400 Courbevoie  
France  
Telephone: (1) 46678078  
Fax: (1) 46678095

THIS WARRANTY DOES NOT APPLY TO INCIDENTAL OR CONSEQUENTIAL DAMAGES. ANY IMPLIED WARRANTIES ARE LIMITED TO THE SAME TIME PERIODS STATED HEREIN.

