

**REPAIR PARTS MANUAL**  
**MODEL NO. WZ20HI46A**  
**Lawn Tractor**

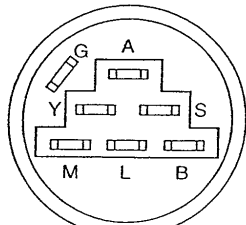
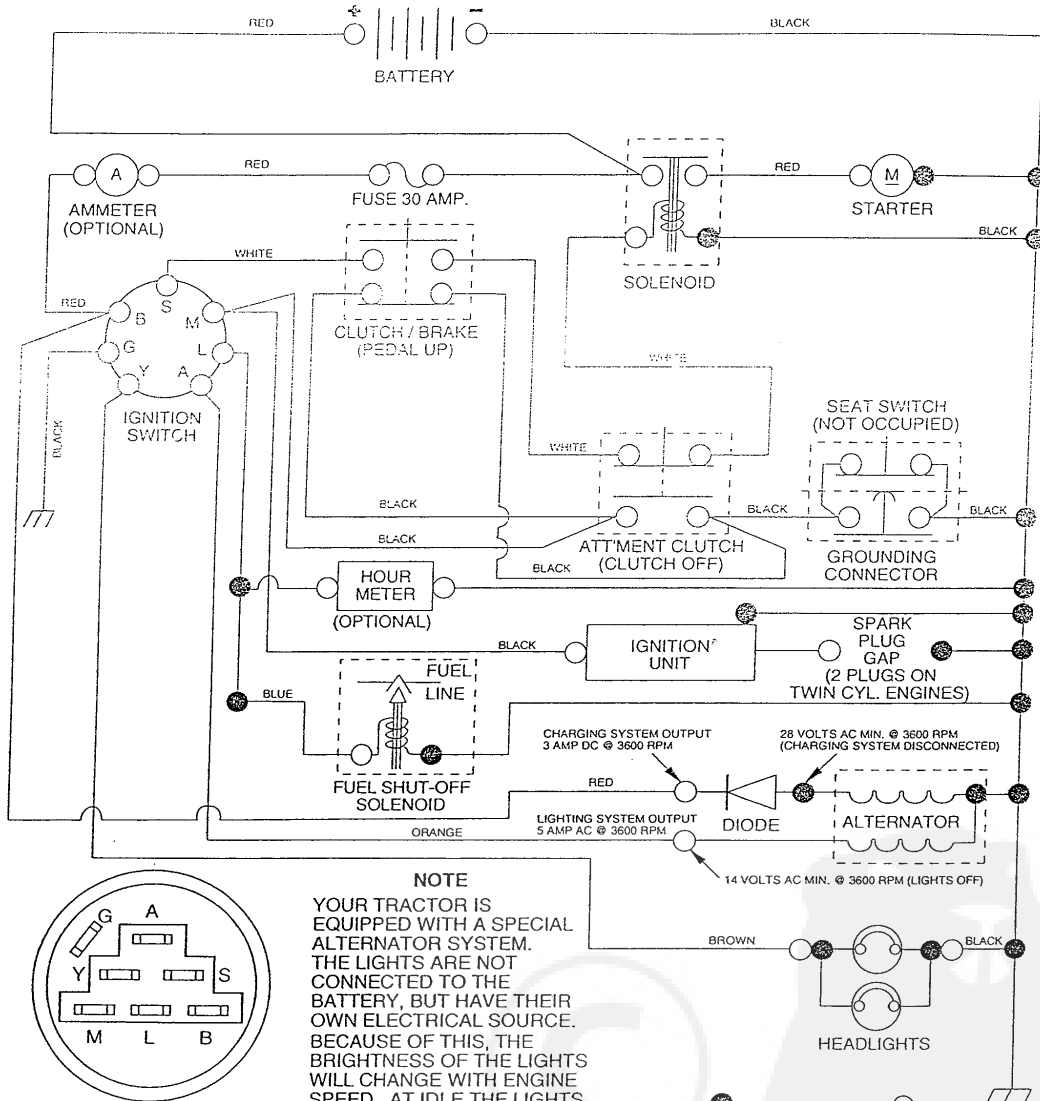
---

**WIZARD**

167868 11.12.98  
PRINTED IN U.S.A.

# TRACTOR -- MODEL NUMBER WZ20HI46A

## SCHEMATIC



**IGNITION SWITCH**

POSITION	CIRCUIT	"MAKE"
OFF	G + M + L	NONE
RUN/LIGHT	B + L	A + Y
RUN	B + L	NONE
START	B + L + S	NONE

**NOTE**  
 YOUR TRACTOR IS EQUIPPED WITH A SPECIAL ALTERNATOR SYSTEM. THE LIGHTS ARE NOT CONNECTED TO THE BATTERY, BUT HAVE THEIR OWN ELECTRICAL SOURCE. BECAUSE OF THIS, THE BRIGHTNESS OF THE LIGHTS WILL CHANGE WITH ENGINE SPEED. AT IDLE THE LIGHTS WILL DIM. AS THE ENGINE IS SPEEDED UP, THE LIGHTS WILL BECOME THEIR BRIGHTEST.

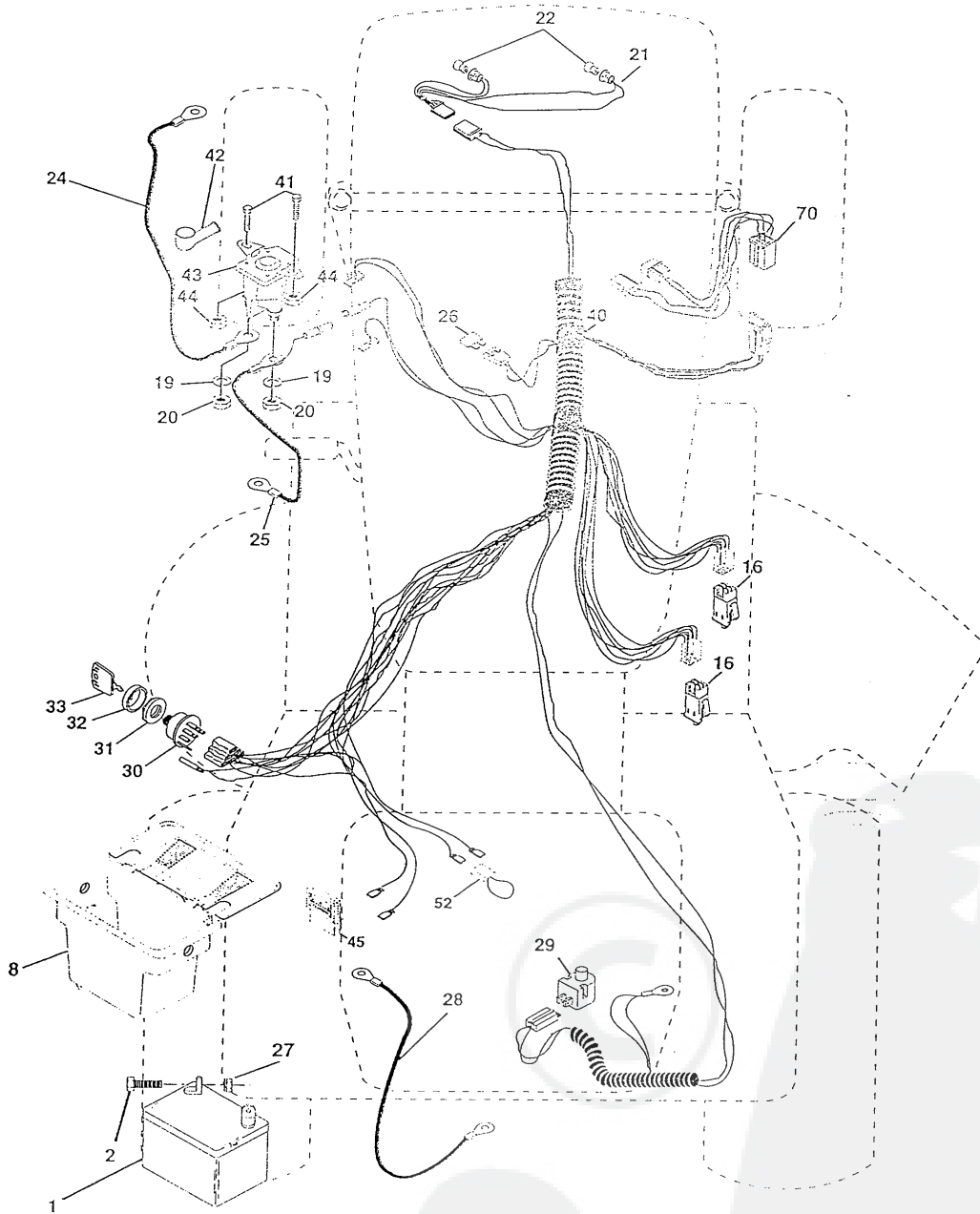
**WIRING INSULATED CLIPS**

**NOTE:** IF WIRING INSULATED CLIPS WERE REMOVED FOR SERVICING OF UNIT, THEY SHOULD BE REPLACED TO PROPERLY SECURE YOUR WIRING.

# REPAIR PARTS

TRACTOR -- MODEL NUMBER WZ20HI46A

## ELECTRICAL



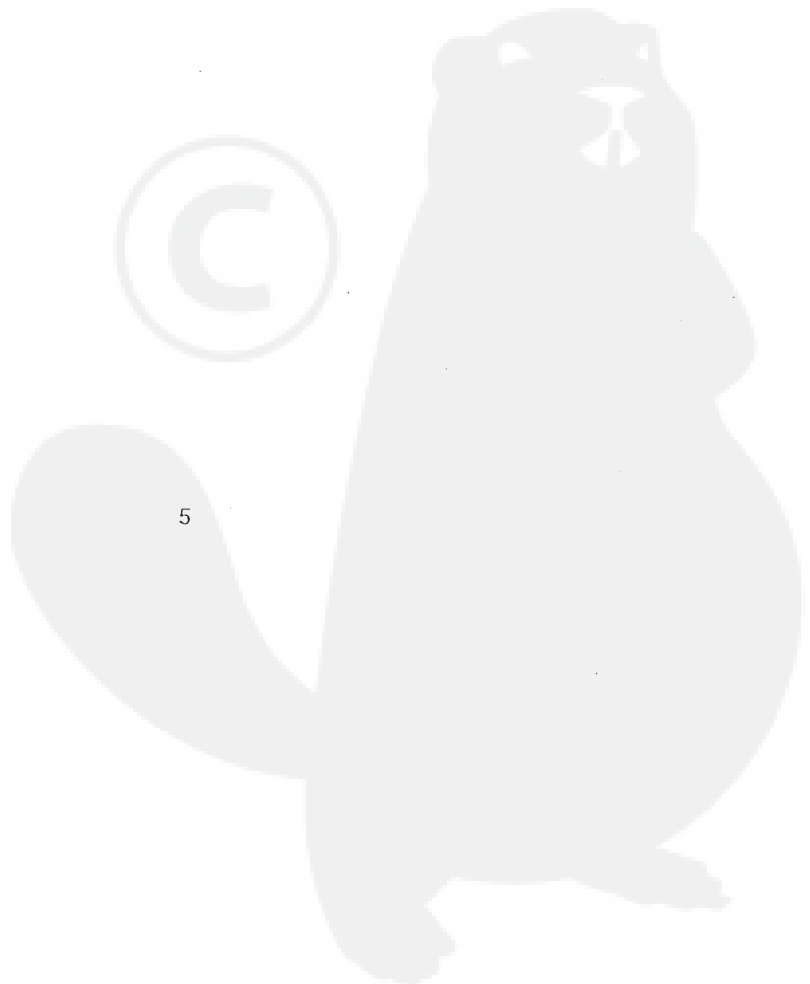
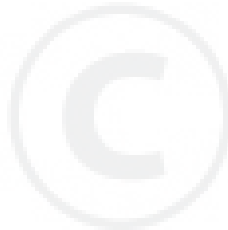
# REPAIR PARTS

TRACTOR -- MODEL NUMBER WZ20HI46A

## ELECTRICAL

KEY NO.	PART NO.	DESCRIPTION
1	163465	Battery 12 Volt 28 Amp
2	74760412	Bolt Hex Hd 1/4-20unc X 3/4
8	156417	Case Battery
16	153664	Switch Interlock Push-In
19	10090400	Washer Lock 1/4
20	73350400	Nut Jam Hex 1/4-20 Unc
21	166181	Harness Socket Light W/4152J
22	4152J	Bulb, Light # 1156
24	4799J	Cable Battery 6 Ga 11" Red
25	146147	Cable Battery 6ga Red 44" W/16 wire
26	166180	Fuse 15 Amp
27	73510400	Nut Keps Hex 1/4-20
28	4207J	Cable Ground 6ga 12"black
29	121305X	Switch Plunger Nc Gray
30	140301	Switch Ign 4 Pos W/L P/L
31	124211X	Nut Ignition
32	141226	Cover Sw Key
33	122147X	Key Ign Molded Generic
40	166145	Harness Ign
41	71110408	Bolt Fin Hex 1/4-20uncx1/2
42	131563	Cover Terminal Red
43	145673	Solenoid
44	73640400	Nut Keps Blk Hex 1/4-20 Unc
45	121433X	Ammeter Rectangular 6 Amp
52	141940	Protection Loop
70	166659	Harness Eng.

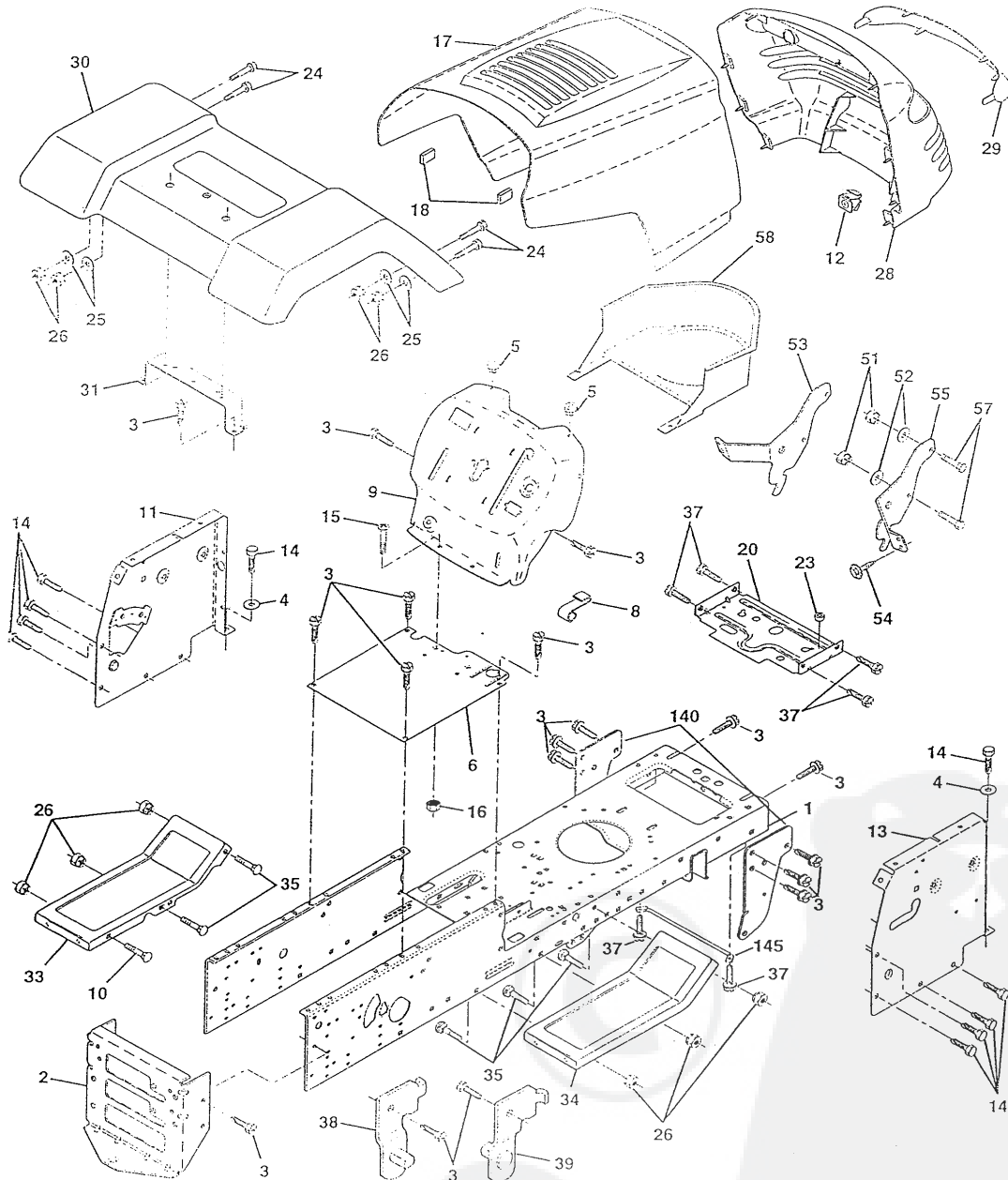
NOTE: All component dimensions given in U.S. inches  
1 inch = 25.4 mm



# REPAIR PARTS

TRACTOR -- MODEL NUMBER WZ20HI46A

## CHASSIS AND ENCLOSURES



# REPAIR PARTS

TRACTOR -- MODEL NUMBER WZ20H146A

## CHASSIS AND ENCLOSURES

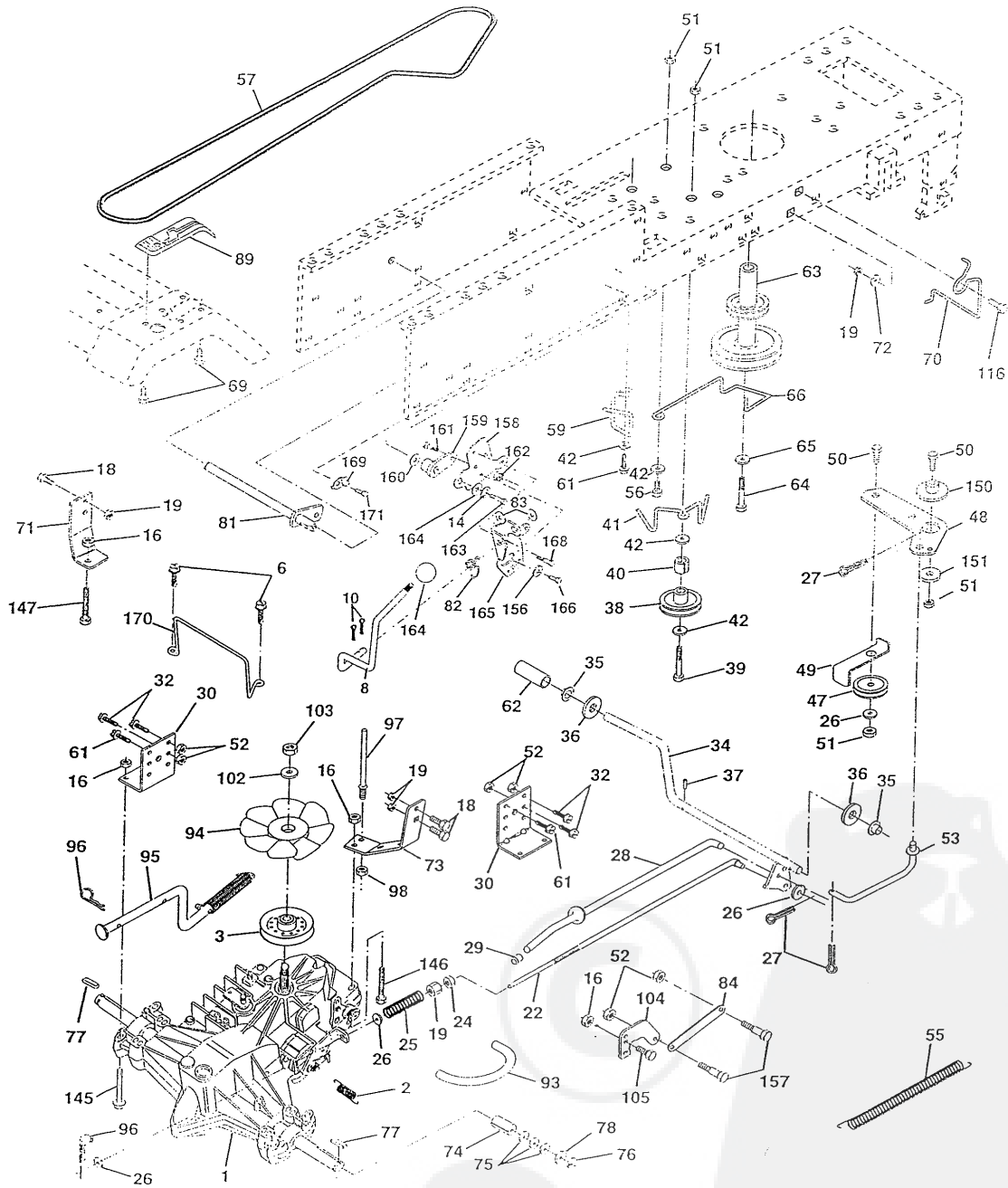
KEY NO.	PART NO.	DESCRIPTION
1	165480	Chassis Weldment
2	140356	Drawbar, Stretch
3	17490612	Screw Thdrol 3/8-16x3/4 Ty-tt
4	19131216	Washer 13/32 x 3/4 x 16 Ga.
5	155272	Bumper Hood/Dash
6	155923	Saddle LT Fender Shift
8	155138	Clip Retainer Slide-On
9	161938X012	Dash Private Label
10	72140608	Bolt Carriage 3/8-16 x 1
11	155927	Panel Pnt Dash Lh
12	145660	Clip Tinnerman Grille P/L
13	155934X010	Panel Dash Rh
14	17490608	Screw Thdrol 3/8-16x1/2 Ty-tt
15	74180512	Screw, Macn Trhd 5/16-18 UNC x 3/4
16	73510500	Nut Keps 5/16-18 UNC
17	159639X505	Hood Paint Steel Private Label
18	126938X	Bumper Hood
20	156437	Plate Mtg. Batter/Fuel Tank
23	124028X	Bushing Snap Nik Blk Fuel Line
24	74780616	Bolt Fin Hex 3/8-16unc X 1 Gr. 5
25	19131312	Washer 13/32 X 13/16 X 12 Ga
26	73800600	Nut Lock Hex W/Ins 3/8-16 Unc
28	157373	Grille Private Label
29	140273X599	Lens Grille Private Label
30	162454X505	Fender Pnt
31	139976	Bracket Fender
33	145244X505	Footrest Pnt Lh
34	145243X505	Footrest Pnt Rh
35	72110606	Bolt Rdhd Sht Sqnk 3/8-16 X3/4
37	17490508	Screw Thdrol 5/16-18 x 1/2
38	139886	Bracket, Asm. Pivot, L.H., Mower Rear
39	139887	Bracket, Asm. Pivot, R.H., Mower Rear
40	139977	Spacer Fender Raised Lt
51	73800400	Nut Lock Hex W/Ins 1/4-20
52	19091416	Washer 9/32 x 7/8 x 16 Ga.
53	144697	Bracket, Grille, LH
54	161464	Screw Hex Wshd 8-18 x 7/8
55	144696	Bracket, Grille, RH
57	74780412	Bolt Hex 1/4-20 x 3/4
58	162266	Air Duct
140	158418	Bracket Suspension Front
145	156524	Rod Pivot Chassis/Hood
--	5479J	Plug Button

NOTE: All component dimensions given in U.S. inches  
1 inch = 25.4 mm

# REPAIR PARTS

TRACTOR -- MODEL NUMBER WZ20HI46A

DRIVE



# REPAIR PARTS

## TRACTOR -- MODEL NUMBER WZ20HI46A

### DRIVE

KEY NO.	PART NO.	DESCRIPTION	KEY NO.	PART NO.	DESCRIPTION
1	-----	Transaxle (See Breakdown)	71	140158	Strap Torque Lh Hydro
		Hydro Gear Model 310-0650	72	19132012	Washer 13/32 x 1-1/4 x 12 Gauge
2	142431	Spring, Return, Brake	73	156347	Strap Torque Rh Hydro
3	143995	Pulley, Transaxle	74	121199X	Spacer, Split
8	165619	Rod Shift	75	121749X	Washer 25/32 x 1-1/4 x 16 Gauge
10	76020416	Pin Cotter 1/8 x 1 CAD	76	12000001	E-Ring
14	10040400	Washer Lock Hvy. Helical 1/4	77	123583X	Key, Square
16	73800500	Nut Lock Hex W/Ins 5/16-18 Unc P	78	121748X	Washer 25/32 x 1-5/8 x 16 Gauge
18	74780616	Bolt Fin Hex 3/8-16 Unc x 1 Gr. 5	81	165595	Shaft Asm. Cross
19	73800600	Nut Lock Hex W/Wsh 3/8-16 Unc	82	123782X	Spring Torsion T/A
21	130564	Knob	83	19171216	Washer 17/32 x 3/4 x 16 Ga.
22	145627	Rod, Brake Hydro	84	165815	Link Transaxle
24	73350500	Nut	89	164893X428	Console
25	106968X	Spring, Brake Rod	93	1-2564	Line Fuel Hydro 4"
25	19131316	Washer	94	1-0462	Fan, Hydro 7"
27	76020412	Pin Cotter 1/8 x 3/4 CAD.	95	1-4643	Control Asm Bypass Hydro
28	145204	Rod, Parking Brake	95	4-87H	Retainer Spring 1" Zinc/Cad
29	71673	Cap, Parking Brake	97	140469	Keeper Belt Rh Hydro 0750. 18/20"
30	130807	Bracket, Transaxle	98	73510600	Nut Keps Hex 3/8-16 Unc
32	74760512	Bolt Hex Hd 5/16-18 Unc x 3/4	102	1-1322	Washer Belleville .501D x 1.50D
34	155071	Shaft, Foot Pedal	103	73940800	Nut, Hex, Jam Toplock 1/2-20 UNF
35	120183X	Bearing, Nylon	104	140156	Arm, Control Hydro
36	19211616	Washer	105	71070516	Screw Cap Hex 5/16 x 18 x 1
37	1572H	Pin, Roll	116	72110610	Bolt Rdhd Sq Neck 3/8-16 x 1.25
38	131494	Pulley, Idler, Flat	145	74490540	Bolt, Hex Flghd 5/16-18 Gr. 5
39	74760644	Bolt	146	74490536	Bolt Hex Flghd 5/16-18 Unc x 2
40	4470J	Spacer, Split	147	74490524	Bolt Hex Flghd 5/16-18 Unc x 2
41	165838	Keeper, Belt Idler	150	165850	Bushing Bellcrank Grd
42	19131312	Washer 13/32 x 13/16 x 12 Gauge	151	19133210	Washer 13/32 x 2 x 10 Ga.
47	127783	Pulley, Idler, V-Groove	156	166002	Washer SRRTD 5/16 Id x 1.0 x 1.25 TK
48	154407	Bellcrank Clutch Grnd Drv Stl			
49	123205X	Retainer, Belt	157	153236	Bolt Shoulder 5/16-18 Unc -2A
50	74760624	Bolt	158	165589	Bracket Shift Mount
51	73680600	Nut Crownlock 3/8-16 UNC	159	165494	Hub Tapered Flange Shift LT
52	73680500	Nut Crownlock 5/16-18 UNC	160	19292016	Washer 29/32 x 1-1/4 x 16 Ga.
53	105710X	Link, Clutch	161	72140406	Bolt Rdhd Sqnc 1/4-20 x 3/4 Gr. 5
55	105709X	Spring, Return, Clutch	162	73680400	Nut, Crownlock 1/4-20 Unc
56	74760620	Bolt Fin Hex 3/8-16 UNC x 1-1/4	163	74780416	Bolt Hex Fin 1/4-20 Unc x 1 Gr. 5
57	140294	V-Belt, Ground Drive	164	19091010	Washer 5/8 x .281 x 10 Ga.
59	140312	Keeper, Center Span	165	165623	Brkt. Pivot Lever
61	17490612	Screw Thdrol. 3/8-16 x 3/4 Ty. TT	166	166880	5/16-18 x 5/8 TT Yellow
62	8883R	Cover, Pedal	168	165492	Bolt, Shoulder 5/16-18 x .561 TT
63	140186	Pulley, Engine	169	165581	Plate Fastening LT
64	71170764	Bolt, Hex	170	165849	Keeper Belt Transaxle
65	10040700	Washer	171	17490608	Screw Thdrol. 3/8-16 x 1/2 TY-TT
66	154778	Keeper Belt Engine			
69	142432	Screw			
70	156470	Keeper Belt Engine			

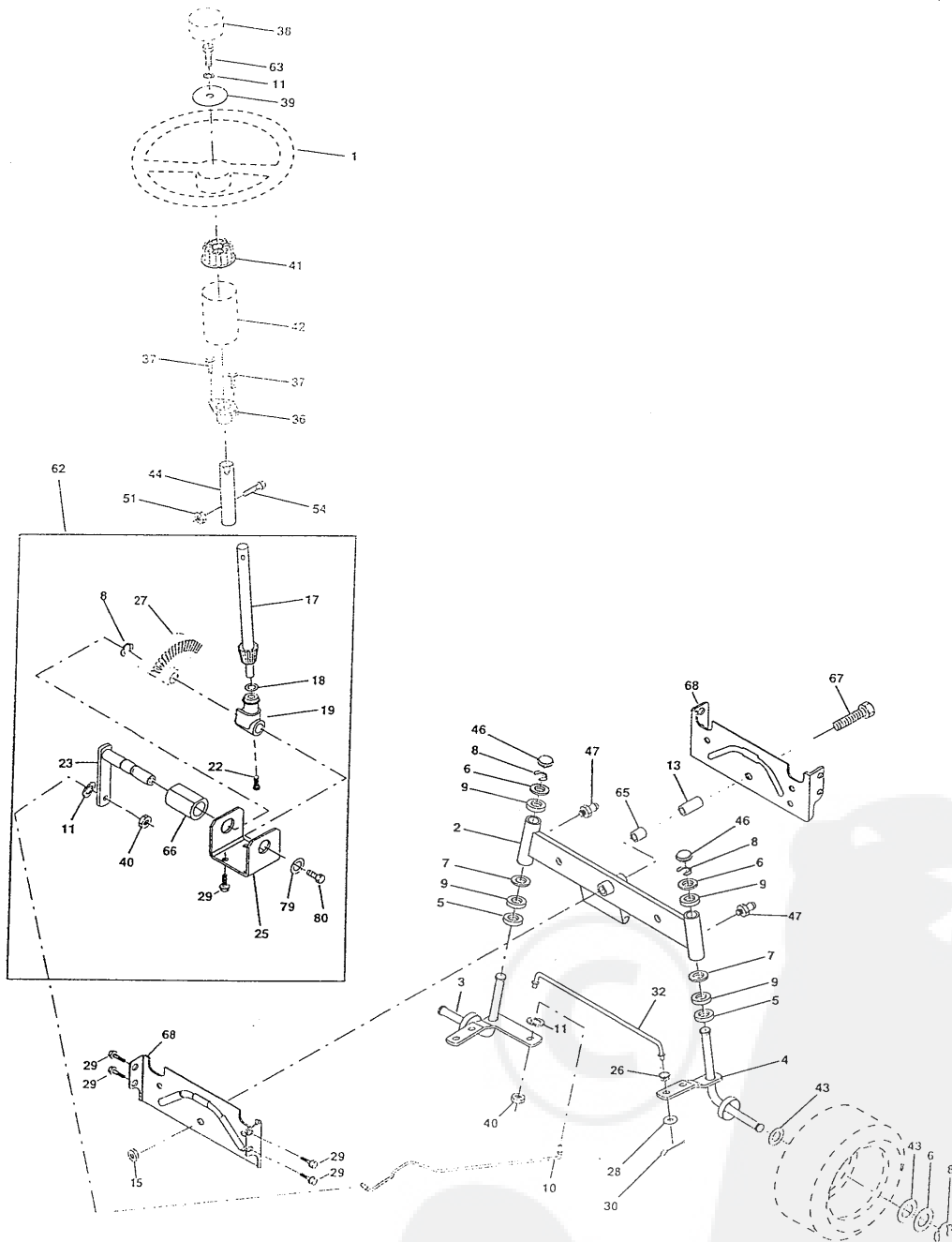
NOTE: All component dimensions given in U.S. inches  
1 inch = 25.4 mm



# REPAIR PARTS

TRACTOR -- MODEL NUMBER WZ20HI46A

## STEERING ASSEMBLY



# REPAIR PARTS

TRACTOR -- MODEL NUMBER WZ20HI46A

## STEERING ASSEMBLY

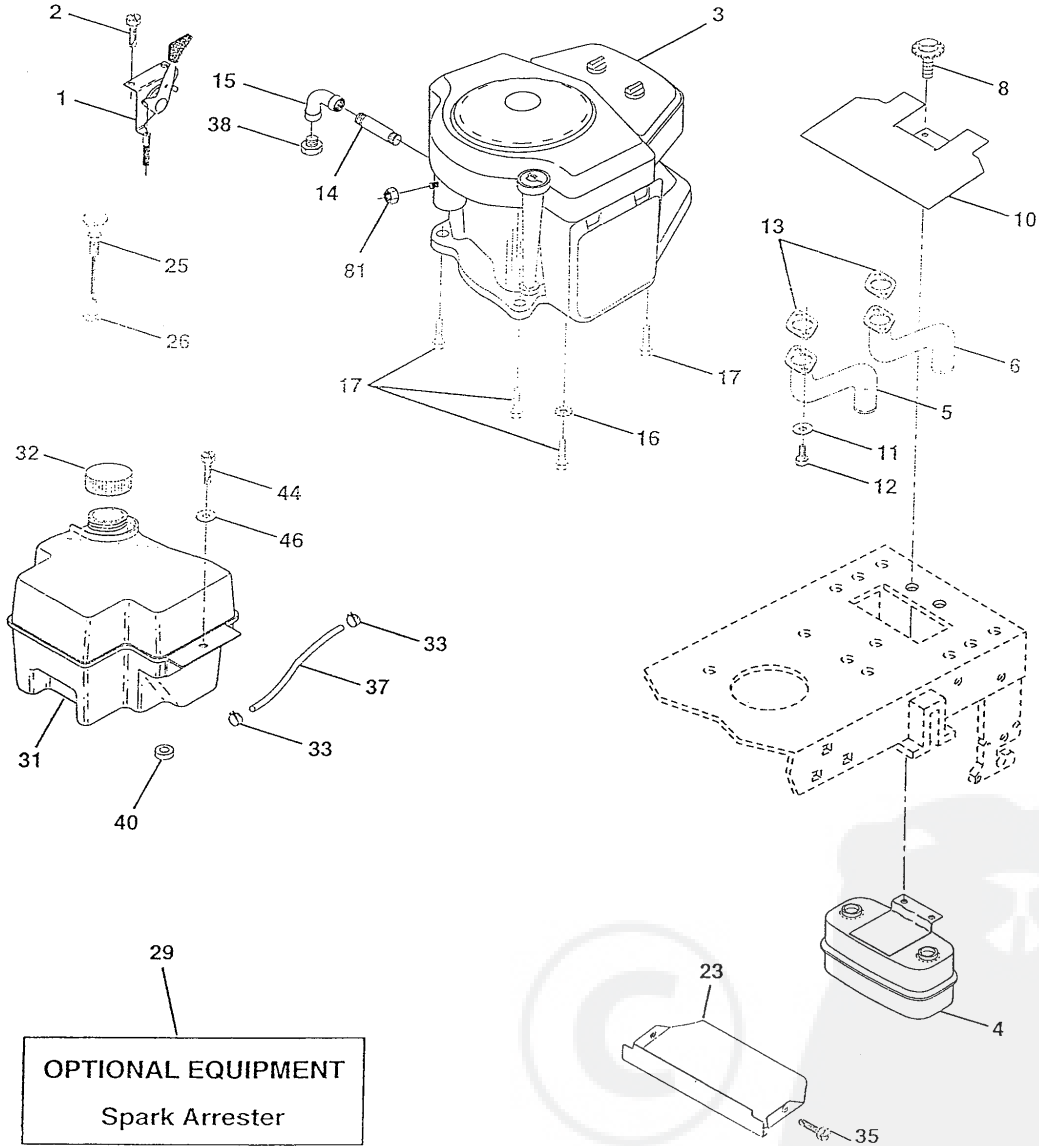
KEY NO.	PART NO.	DESCRIPTION
1	140044	Wheel Steering Blk
2	154427	Axle Asm Fr LT W/gzks 38/42
3	156483	Spindle Asm LH
4	157473	Spindle Asm RH
5	6266H	Bearing Race Thrust Harden
6	121748X	Washer 25/32 X 1-5/8 X 16 Ga
7	19272016	Washer 27/32 X 1-1/4 X 16 Ga
8	12000029	Ring Klip #t5304-75
9	3366R	Bearing Col Strg Blk
10	156438	Link Drag Extended Stamped
11	10040600	Washer Lock Hvy Hlcl Spr 3/8
13	154779	Bearing Axle
15	73901000	Nut Lock Flange 5/8-11 Unc
17	156546	Shaft Asm Strg Private Label
18	57079	Washer Thrusi 515x 750x 033
19	160395	Support Shaft
22	165857	Screw Hex Wshd
23	165851	Shaft Asm Pittman
25	154406	Bracket Steering
26	126847X	Bushing Link Drag Blk LR
27	136874	Gear Sector
28	19131416	Washer 13/32 X 7/8 X 16 Ga
29	17490612	Screw Thdrol 3/8-16x3/4 Ty-tt
30	76020412	Pin Cotter 1/8 X 3/4 Cad
32	130465	Rod Tie Wire Form 19 75 Mech
36	155099	Bushing Strg
37	152927	ScrewTT #10-32 X 5 X 3/8 Flange
38	140045	Cap Strg Wh
39	19133808	Washer 13/32 X 2-3/8 X 8 Ga
40	7810H	Nut Lock Center 3/8-24unf
41	100711L	Adaptor Wheel Strg 758/753 ID
42	145054	Boot Steering
43	121749X	Washer 25/32 X 1 1/4 X 16 Ga
44	153720	Shaft Extention Steering
46	121232X	Cap Spindle Fr Top Blk
47	6855M	Fitting Grease
51	73800500	Nut Lock Hex w/Ins 5/16-18
54	74780520	Bolt Fin Hex 5/16-18 Unc x 1-1/4
62	167902	Kit, Steering Assembly, Service
63	74780616	Bolt Fin Hex 3/8-16 x 1 Gr. 5
65	154780	Spacer Axle
66	154404	Bearing Arm Pittman
67	74781044	Bolt Fin Hex 5/8-11 UNC x 2-3/4
68	154429	Brace Axle
79	19132012	Washer 13/32 x 1-1/4 x 12
80	74950612	Bolt Hex Nylon 3/8-16 x 3/4

**NOTE:** All component dimensions given in U.S. inches.  
1 inch = 25.4 mm.

# REPAIR PARTS

TRACTOR -- MODEL NUMBER WZ20HI46A

ENGINE



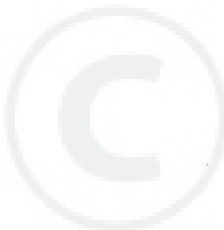
# REPAIR PARTS

TRACTOR - - MODEL NUMBER WZ20H146A

## ENGINE

KEY NO.	PART NO.	DESCRIPTION
1	148875	Control Throttle
2	17720410	Screw Hex Thd Cut 1/4-20x5/8 T
3	-----	Engine Briggs Model 407777 Order parts from engine manufacturer
4	149723	Muffler Asm. Twin Lo-Tone
5	159955	Exhaust, Tube LH
6	160589	Exhaust, Tube RH
8	150176	Bolt 5/16-18 UNC x 3/4 w/Sems
10	162797	Shield Heat
11	10040500	Washer Lock Hvy Helical 5/16
12	71070512	Screw Hex Hd Cap 5/16-18 x 3/4
13	165391	Gasket Muffler
14	13280336	Nipple Pipe 3/8 Npt X 4-1/2"
15	13200300	Elbow Sid 90 Degree 3/8-18 Npt
16	11050600	Washer Lock Ext Tooth 3/8
17	17490624	Screw Thdrol 3/8-16x1-1/2 TYTT
23	159880	Shield Browning/Debris Guard
25	145996	Control Choke 37"
26	73920600	Nut Keps 3/8-24 UNf
29	137180	Kit Spark Arrestor (Flat Scrn)
31	161911	Tank Fuel Front 2.00 Gal
32	140527	Cap Asm Fuel
33	123487X	Clamp Hose Blk
35	17490512	Screw Thdrol 5/16-18 x 3/4 TYT
37	137040	Line Fuel
38	-----	Plug Oil Drain (Order From Engine Manufacturer)
40	124028X	Bushing Snap Nyl Blk Fuel Line
44	17490412	Screw Hexwsh Thdrol 1/4-20x3/4
46	19091416	Washer 9/32 X 7/8 X 16 Ga
81	128861	Nut Flange 1/4-20 Starter Nut

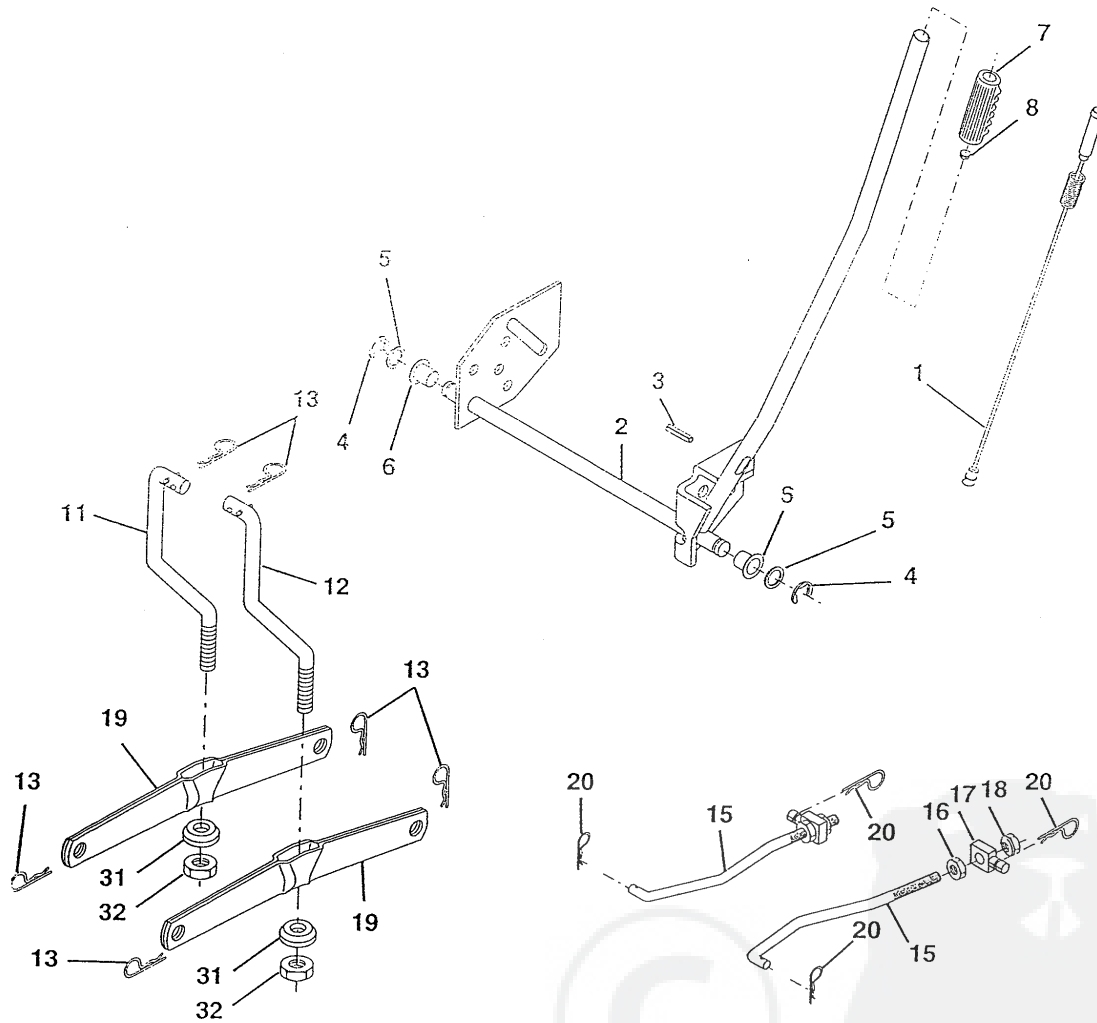
**NOTE:** All component dimensions given in U.S. inches.  
1 inch = 25.4 mm.



# REPAIR PARTS

TRACTOR --- MODEL NUMBER WZ20H146A

LIFT



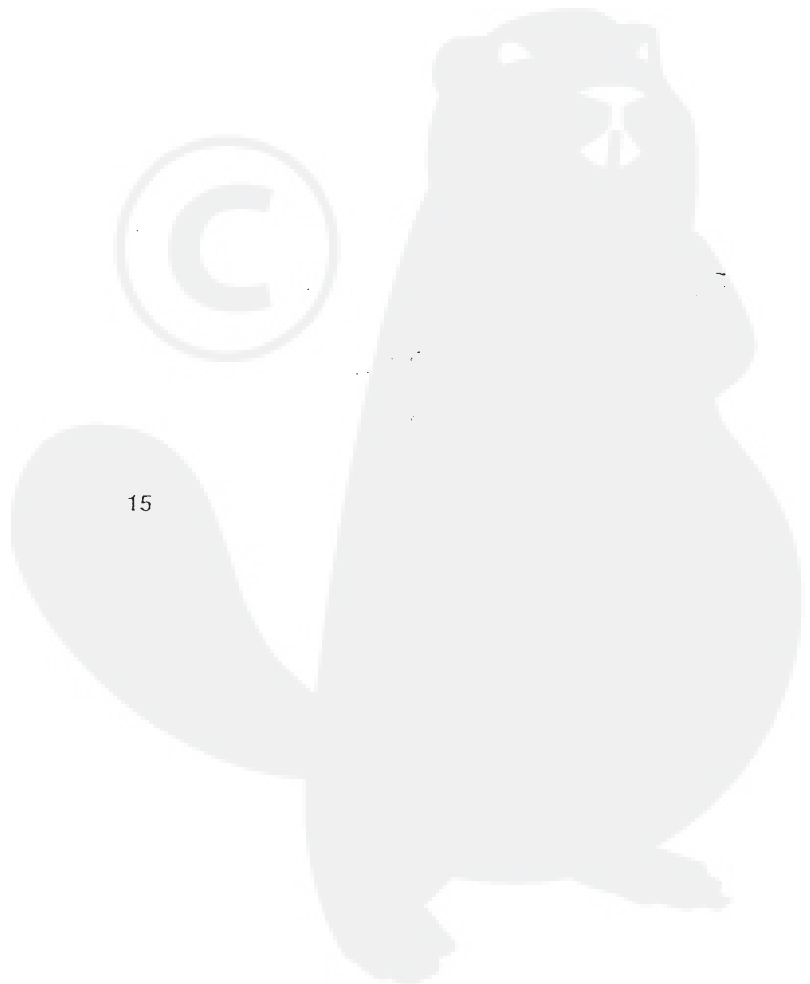
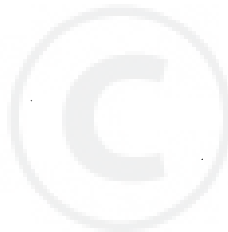
# REPAIR PARTS

TRACTOR - - MODEL NUMBER WZ20HI46A

LIFT

KEY NO.	PART NO.	DESCRIPTION
1	159460	Wire Asm Inner/Sprg w/plunger
2	159471	Shaft Asm Lift
3	105767X	Pin Groove
4	12000002	E Ring #5133-62
5	19211621	Washer 21/32 X 1 x 21 Ga
6	120183X	Bearing Nylon
7	109413X	Grip Handle
8	124526X	Button Plunger
11	139965	Link Lift LH
12	139666	Link Lift RH
13	4939M	Retainer Spring
15	127218	Link Front
16	73350800	Nut Jam Hex 1/2-13 Unc
17	130171	Trunnion Blk Zinc
18	73680800	Nut Crownlock 1/2-13 Unc
19	139868	Arm Suspension Rear
20	163552	Retainer Clip
31	140302	Bearing Pvt. Lift Spherical
32	73540600	Nut Crownlock 3/8-24

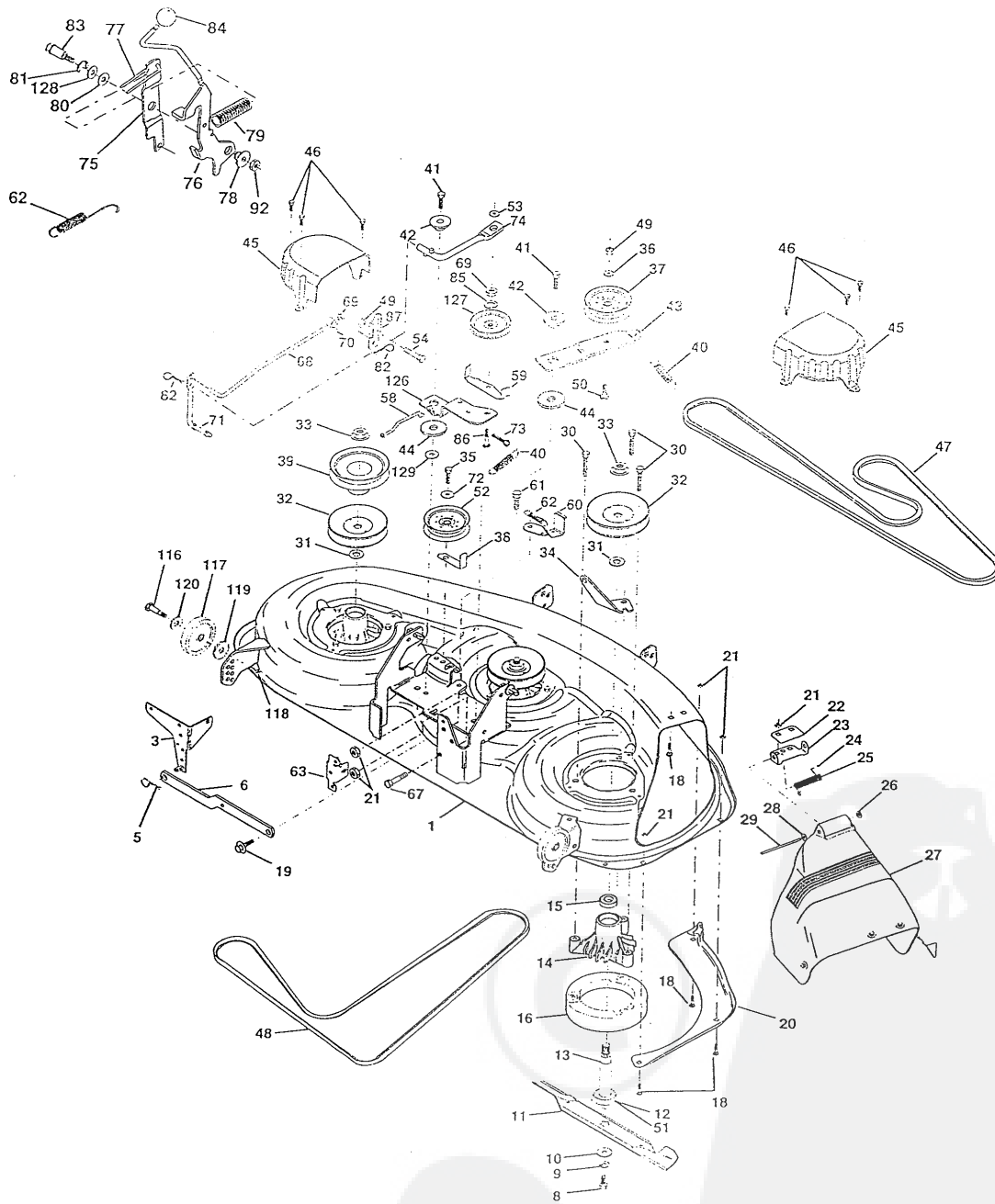
NOTE: All component dimensions given in U.S. inches  
1 inch = 25.4 mm



# REPAIR PARTS

TRACTOR -- MODEL NUMBER WZ20HI46A

## MOWER DECK



# REPAIR PARTS

## TRACTOR - - MODEL NUMBER WZ20HI46A

### MOWER DECK

KEY NO.	PART NO.	DESCRIPTION	KEY NO.	PART NO.	DESCRIPTION
1	156948	Deck Asm., Mower 46"	52	156493	Pulley, Idler, Flat, 46 Pri. Drive
3	138457	Bracket Asm., Sway Bar	53	19131312	Washer, 13/32 x 13/16 x 12 Ga.
5	4939M	Retainer Spring	54	74780616	Bolt, Fin. Hex 3/8-16 x 1 Gr. 5
6	130832	Arm, Suspension, Rear (Sway Bar)	58	156488	Link, Brake 46" Mech
8	850857	Bolt, Patched 3/8-24 x 1-1/4 Gr. 8	59	157034	Guide, Belt 46" Mower
9	10030600	Washer, Lock Hvy., Unplated 3/8	60	156722	Arm Asm. Brake 46"
10	140296	Washer, Hard Blade, Mower Vented	61	161315	Bolt, Shoulder 5/16-18 Type TT
11	157033	Blade, 46" Mower Deck	62	131870	Spring Return
12	129895	Bearing, Ball, Mandrel #6204	63	156473	Bracket, Clutch Rod Pivot
13	137553	Shaft Asm. w/Lower Bearing (Includes Key No. 12)	67	74760512	Bolt, Hex Head 5/16-18 x 3/4
14	137152	Housing, Mandrel	68	156487	Rod, Clutch
15	110435X	Bearing, Ball, Mandrel	69	73350500	Nut, Hex Jam 3/8-16 Unc
16	140329	Stripper, Mower Round	70	1-2028	Trunnion, Adj. 94
18	721-40505	Bolt, Carriage 5/16-16 x 5/8	71	133551	Rod, Pivot with Nibs
19	132827	Bolt, Hex Head, Shoulder 5/16-18	72	19131316	Washer 13/32 x 13/16 x 16 Ga.
20	145055	Baffle, Vortex Mower 46"	73	76020412	Pin, Cotter 1/8 x 3/4
21	73680500	Nut, Crownlock 5/16-18 UNC	74	156474	Link, Clutch 46" Mech.
22	134753	Stiffener, Bracket	75	127847	Arm, Clutch Secondary
23	131267	Bracket, Deflector	76	160570	Lever, Asm. Clutch Primary
24	105304X	Cap, Sleeve	77	127845	Keeper, Spring
25	149287	Spring, Torsion, Deflector	78	127498	Bushing, .747 OD. x .794 ID.
26	110452X	Nut, Push	79	153701	Spring, Mower Clutch
27	157788	Shield, Deflector Mower	80	121748X	Washer 25/32 x 1-5/8 x 16 Ga.
28	19111016	Washer 11/32 x 5/8 x 16 Ga.	81	12000029	Ring, Clip
29	131491	Rod, Hinge	82	4497H	Retainer Spring 1"
31	129963	Washer, Spacer Mower Vented	83	129803	Bolt, Shoulder 3/8-16 Unc
30	157722	Screw Thd Rolling Washer Head	84	162132	Knob
32	153531	Pulley, Mandrel	85	10040600	Washer, Lock Hvy Hlcl Spr 3/8
33	137266	Nut, Fig. Top Lock Cntr. 9/16	86	158565	Bolt, Carriage SH38-16 x 2.0 Gr. 5
34	144945	Anchor, Spring Deck 46"	87	158373	Bracket, Extension
35	17490628	Screw, Thdroll 3/8-16 x 1-3/4 Tytt	92	73800600	Locknut, Hex, w/Insert 3/8-16 UNC
36	19131316	Washer 13/32 x 13/16 x 16 Ga.	116	4898H	Bolt, Shoulder
37	131494	Pulley, Idler, Flat	117	105455X	Gauge Wheel
38	156086	Keeper, Belt, Idler	118	73930600	Nut, Centerlock 3/8-16 UNC
39	144917	Pulley, Idler, Driven	119	19121414	Washer 3/8 x 7/8 x 14 Ga.
40	137273	Spring, Secondary 44/46/50 Vent	120	19171512	Washer 17/32 x 15/16 x 12 Ga.
41	17490620	Screw, Thdroll 3/8-16 x 1-1/4 Tytt	126	156472	Arm, Idler, Deck 46" Mech.
42	122052X	Spacer, Retainer	127	146763	Pulley, Idler, V-Groove Dim. 4.25
43	144949	Arm, Idler Secondary	128	6266H	Washer Thrust .75 x 1.230
44	133943	Washer, Hardened	129	19133808	Washer 13/32 x 2-3/8 x 8 Ga.
45	145059	Cover, Mandrel Deck	---	157162	Deck Complete (Std. Deck-Order separately mulcher plate and gauge wheel components Key Nos. 101-106 and 116-118)
46	137729	Screw, Thdroll. 1/4-20 x 5/8	---	143651	Mandrel Asm. Service
47	144959	V-Belt, Mower, Secondary			
48	158818	V-Belt, Mower, Primary			
49	73680600	Nut, Crownlock 3/8-16 UNC			
50	72110612	Bolt, Carriage 3/8-16 x 1-1/2 Gr. 5			
51	153390	Washer, Felt			

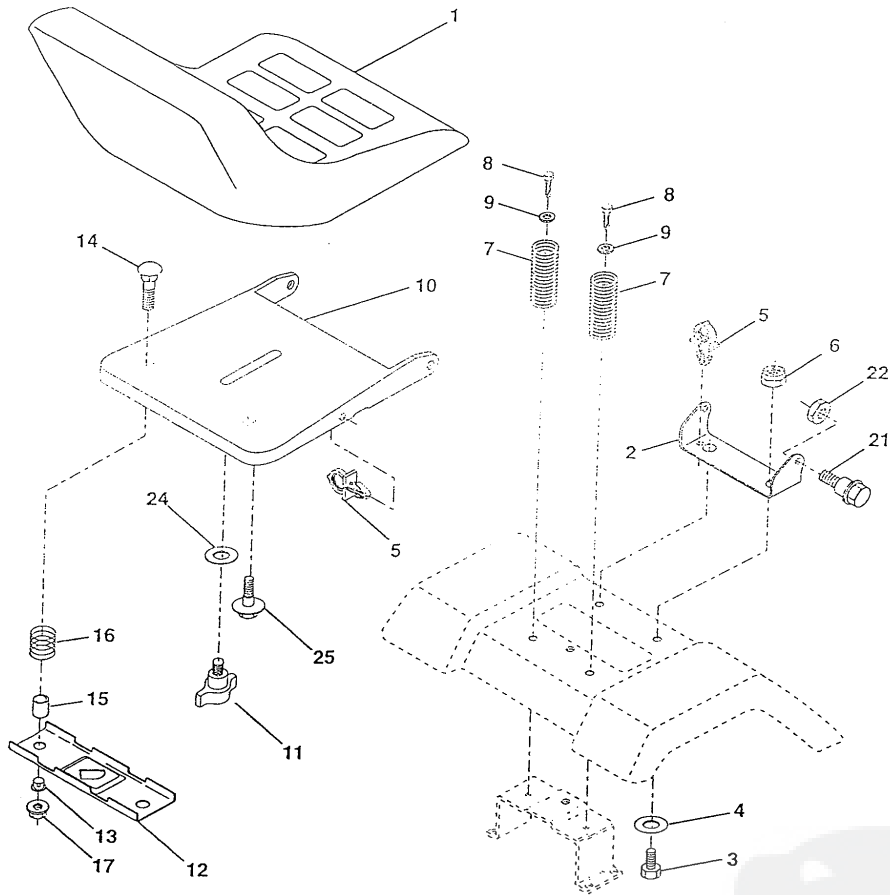
NOTE: All component dimensions given in U.S. inches  
1 inch = 25.4 mm



# REPAIR PARTS

TRACTOR - - MODEL NUMBER WZ20HI46A

## SEAT ASSEMBLY



KEY NO.	PART NO.	DESCRIPTION
1	127429X	Seat
2	140551	Bracket Pivot Seat
3	74760616	Bolt Hex 3/8 - 16 X 1
4	19131610	Washer 13/32 X 1"
5	145006	Clip Push-In
5	73800600	Locknut, Hex W/Ins 3/8 - 16 Unc
7	124181X	Spring Seat Cprsn 2.250 Blk Zi
3	17490616	Screw Thdrol 3/8-16 X 1 Ty-It
3	19131614	Washer 13/32 X 1 X 14 Ga
1)	155925	Pan Seat
1	166369	Knob, Seat
2	121246X	Bracket Mounting Switch

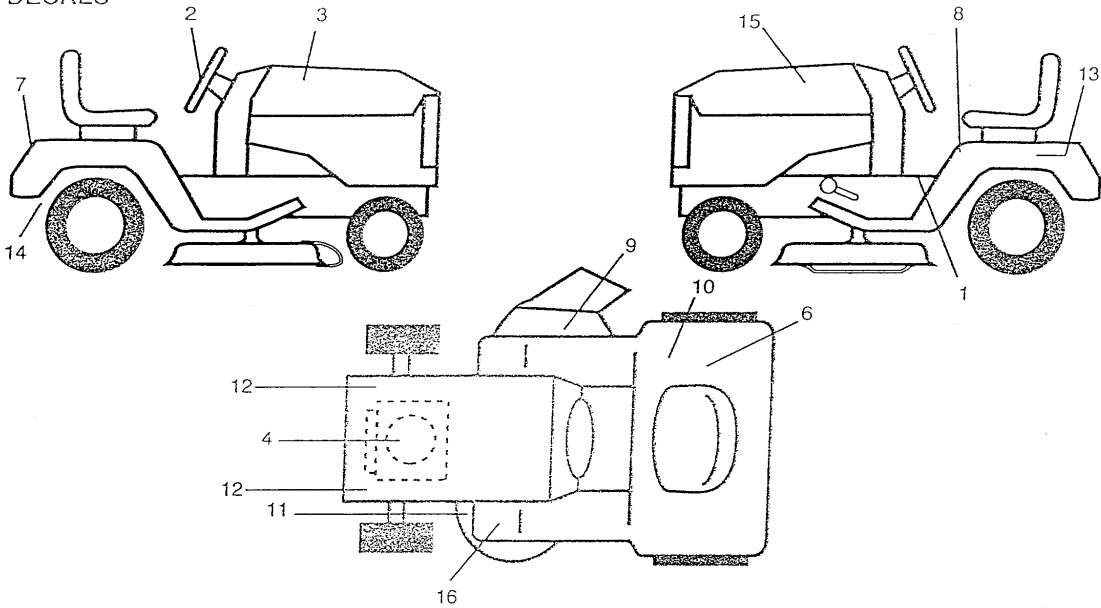
KEY NO.	PART NO.	DESCRIPTION
13	121248X	Bushing Snap Blk Nyl 50 Id
14	72050412	Bolt Rdhd Sht Nk 1/4-20x1-1/2
15	121249X	Spacer Split
16	123740X	Spring Cprsn
17	123976X	Nut Lock 1/4 Lge Flg Gr 5 Zinc
21	153236	Bolt Shoulder 5/16-18 UNC-2A
22	73800500	Locknut, Crown 5/16-18 UNC
24	19171912	Washer 17/32 X 1-3/16 X 12 Ga
25	127018X	Bolt Shoulder 5/16-18 X 62

NOTE: All component dimensions given in U.S. inches  
1 inch = 25.4 mm

# REPAIR PARTS

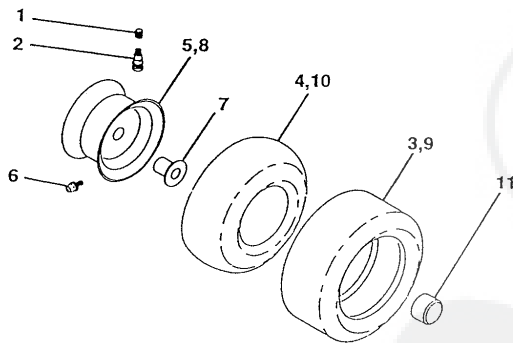
TRACTOR -- MODEL NUMBER WZ20H146A

## DECALS



KEY NO.	PART NO.	DESCRIPTION	KEY NO.	PART NO.	DESCRIPTION
1	140837	Decal Saddle Brake Parking	12	159736	Decal Chassis Hot Muffler
2	107108	Decal Steering Wheel Insert	13	145005	Decal Bat Dan/Poi P/L Sym WPN
3	107106	Decal Hood RH	14	142341	Decal Drawbar Cntrl MVT Hyd LT
4	165399	Decal Hp Engine	15	106107	Decal Hood LH
6	126187X	Decal 100 DBA	16	159737	Decal Brake/Clutch Symbol Lt
7	163769	Decal Fender	--	133671	Pad Footrest
8	145498	Decal Read Owner's Manual Syms	--	138311	Decal Handle Lft Height Adjust
9	145494	Decal Mower Cut Finger Symbol	--	162598	Decal Drawer Load Limit
10	145437	Decal Europe Stand CE	--	167867	Manual Operators (European)
11	139346	Decal V-Belt Sch	--	167868	Manual Repair Parts

## WHEELS AND TIRES



KEY NO.	PART NO.	DESCRIPTION
1	59192	Cap Valve Tire
2	65139	Stem Valve
3	106222X	Tire F Ts 15 X 6 0 - 6 Service
4	59904	Tube Front (Service Item Only)
5	106732X427	Rim Asm 6" front White Service
6	278H	Fitting Grease (Front Wheel Only)
7	9040H	Bearing Flange (Front Wheel Only)
8	106108X427	Rim Asm 8" rear White Service
9	122082X	Tire R Ts 20 x 10 - 8 C Service
10	7152J	Tube Rear (Service Item Only)
11	104757X	Cap Axle Blk 1 50 X 1 00
--	144334	Sealant, Tire (10 oz. Tube)

NOTE: All component dimensions given in U.S. inches  
1 inch = 25.4 mm