

## LIMITED WARRANTY

The Manufacturer warrants to the original consumer purchaser that this product as manufactured is free from defects in materials and workmanship. For a period of one (1) year from date of purchase by the original consumer purchaser, we will repair or replace, at our option, without charge for parts or labor incurred in replacing parts, any part which we find to be defective due to materials or workmanship. This Warranty is subject to the following limitations and exclusions.

1. This warranty does not apply to the engine, other than FHP manufactured transaxle/transmission components, battery (except as noted below) or components parts thereof. Please refer to the applicable manufacturer's warranty on these items.
2. Transportation charges for the movement of any power equipment unit or attachment are the responsibility of the purchaser. Transportation charges for any parts submitted for replacement under this warranty must be paid by the purchaser unless such return is requested by Frigidaire Home Products.
3. Battery Warranty: On products equipped with a Battery, we will replace, without charge to you, any battery which we find to be defective in manufacture, during the first ninety (90) days of ownership. After ninety (90) days, we will exchange the Battery, charging you 1/12 of the price of a new Battery for each full month from the date of the original sale. Battery must be maintained in accordance with the instructions furnished.
4. The Warranty period for any products used for rental or commercial purposes is limited to 90 days from the date of original purchase.
5. This Warranty applies only to products which have been properly assembled, adjusted, operated, and maintained in accordance with the instructions furnished. This Warranty does not apply to any product which has been subjected to alteration, misuse, abuse, improper assembly or installation, delivery damage, or to normal wear of the product.
6. Exclusions: Excluded from this Warranty are belts, blades, blade adapters, normal wear, normal adjustments, standard hardware and normal maintenance.
7. In the event you have a claim under this Warranty, you must return the product to an authorized service dealer.

Should you have any unanswered questions concerning this Warranty, please contact:

Frigidaire Home Products  
Service Department  
P.O. Box 1687  
Orangeburg, SC 29116 USA

In Canada contact:  
Frigidaire Home Products  
7075 Ordan Drive  
Mississauga, Ontario  
L5T 1K6

giving the model number, serial number and date of purchase of your product and the name and address of the authorized dealer from whom it was purchased.

THIS WARRANTY DOES NOT APPLY TO INCIDENTAL OR CONSEQUENTIAL DAMAGES AND ANY IMPLIED WARRANTIES ARE LIMITED TO THE SAME TIME PERIODS STATED HEREIN FOR OUR EXPRESSED WARRANTIES. Some areas do not allow the limitation of consequential damages or limitations of how long an implied Warranty may last, so the above limitations or exclusions may not apply to you. This Warranty gives you specific legal rights, and you may have other rights which vary from locale to locale.

This is a limited Warranty within the meaning of that term as defined in the Magnuson-Moss Act of 1975.



**WEED EATER®**



**REPAIR PARTS MANUAL**  
**MODEL NO. WEX12B36B**  
**Lawn Tractor**

---

**WEED EATER®**

# HOW TO USE THIS MANUAL

This manual is designed to provide the customer with a means to identify the parts on his/her tractor when ordering repair parts. The illustrations may or may not represent the actual assemblies; therefore, it is not recommended to use this manual as a guide to assemble or disassemble the tractor. Some hardware and parts are drawn larger in order to more readily identify them.

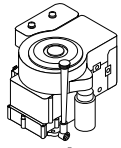

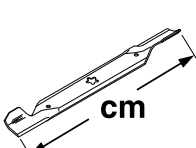
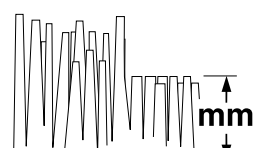

Each tractor has its own model number.

The model number for your tractor can be found on the fender under the seat.

When ordering parts, always give the following information:

- Product - "Tractor"
- Model Number - "WEX12B36B"
- Part Number
- Part Description

## SPECIFICATIONS

 hp/kw	 km/h	 cm	 mm	 KG	dB (A)	Vibration    Lärmpegel Vibration    Vibratie Vibración    Vibrazioni Vibrering    Vibration Vibrasjon    Tärinä m/s <sup>2</sup>
12/8,9	0-6	91	25-89	205	100	4 to 8

## TABLE OF CONTENTS

ELECTRICAL .....	4-5
HOOD .....	6
FENDER/CHASSIS .....	7
SEAT .....	8
DASH .....	9
STEERING WHEEL .....	10
SECTOR GEAR/AXLE SUPPORT .....	11
FRONT AXLE .....	12
BRAKE/REAR MOWER LIFT ASSEMBLY .....	13
ENGINE/THROTTLE .....	14
GROUND DRIVE .....	15
TRANSAXLE .....	16
MOWER LIFT LEVER .....	17
MOWER DECK .....	18-19
TRANSAXLE .....	20-21
DECALS .....	22



# SERVICE POLICY WARRANTY



Issued January 1980  
Revised January 1991

## LIMITED WARRANTIES FOR NEW PEERLESS GEAR POWER TRAIN COMPONENTS

### A. Products Warranted

Peerless Gear and Machine Division of Tecumseh Products Company ("Tecumseh"), subject to the limitations contained below, will, at its option, repair or replace, without charge for parts or labor only, any part of a new Power Train Component (which as used herein means and includes the transaxle, gear box, transmission, differential and right angle drives, and any part of the Power Train Component), EXCEPT any new Power Train Component incorporated in equipment used for commercial or rental purposes, which is found upon examination by any Tecumseh Authorized Service Outlet or by Tecumseh's factory in Grafton, Wisconsin, to be DEFECTIVE IN MATERIAL AND/OR WORKMANSHIP if received by Tecumseh or a Tecumseh Authorized Service Outlet for such examination within TWO YEARS from the date of sale to the original consumer purchaser of Peerless Series 820, 900, 910, 915, 920, 930 transaxles and Series 1100 angle drive and ONE YEAR for all other Peerless products. New Power Train Components incorporated in equipment used for commercial purposes are warranted in the same manner and to the same extent EXCEPT such Power Train Components are warranted for NINETY (90) DAYS ONLY, and must be received by Tecumseh or by a Tecumseh Authorized Service Outlet for such examination within 90 days from the date of sale to the original purchaser. New Power Train Components Incorporated in equipment used for rental purposes are warranted in the same manner and to the same extent EXCEPT such Power Train Components are warranted for THIRTY (30) DAYS ONLY, and must be received by Tecumseh or a Tecumseh Authorized Service Outlet within 30 days from the date of sale to the original purchaser.

### B. Products And Items Not Warranted

1. Alterations or Modifications of Power Train Components.
2. Accidents, Normal Maintenance, Failure to follow the Original Equipment Manufacturer's Manual.

This warranty covers only parts of new Power Train Components which are found upon examination to be defective in material or workmanship as delivered to the original purchaser. This warranty does not cover defects caused by depreciation or damage caused by normal wear, accidents, improper maintenance, improper use or abuse of the product, failure to follow the instructions contained in an Instruction Manual for the operation of the Power Train Component and parts. The cost of normal maintenance and replacement of service items which are not defective shall be paid for by the original purchaser.

### C. Securing Warranty Service

Warranty service can be arranged for by contacting either a Tecumseh Authorized Service Outlet (any Tecumseh Registered Service Dealer, Tecumseh Authorized Service Distributor, or Tecumseh Central Warehouse Distributor) or by contacting Tecumseh, c/o Service Manager, Engine and Transmission Group Service Division, 900 North Street, Grafton, Wisconsin 53024. Warranty service can only be performed by a Tecumseh Authorized Service Outlet or by Tecumseh at its factory in Grafton, Wisconsin. At the time of requesting warranty service, evidence must be presented of the date of sale to the original purchaser. The purchaser shall pay any charges for making service calls and/or for transporting the product to and from the place where the inspection and/or warranty work is performed. The purchaser shall be responsible for any damage or loss incurred in connection with the transportation of Power Train Components and/or part(s) of the Power Train Components submitted for inspection and/or warranty work.

### D. Limitation of Damages and Implied Warranties

The foregoing EXPRESSED WARRANTY IS IN LIEU OF ALL OTHER EXPRESS WARRANTIES. Neither Tecumseh nor any of its affiliates makes any warranties, representations or promises, written or oral, as to the quality of the Power Train Component or any of its parts, other than as set forth herein.

ANY IMPLIED WARRANTY OF MERCHANTABILITY OR FITNESS FOR A PARTICULAR PURPOSE, TO THE EXTENT THAT EITHER MAY APPLY TO ANY PART(S) OF POWER TRAIN COMPONENTS, SHALL BE LIMITED IN DURATION TO THE PERIODS OF THE EXPRESSED WARRANTIES DEFINED IN PARAGRAPH A HEREOF. IN NO EVENT WILL TECUMSEH BE LIABLE FOR ANY INCIDENTAL, CONSEQUENTIAL OR SPECIAL DAMAGES AND/OR EXPENSES. Some states do not allow limitations on how long an implied warranty lasts or the exclusion or limitation of incidental or consequential damages, so the above limitation(s) or exclusion(s) may not apply to you. This warranty gives you specific legal rights and you may also have other legal rights which vary from state to state.

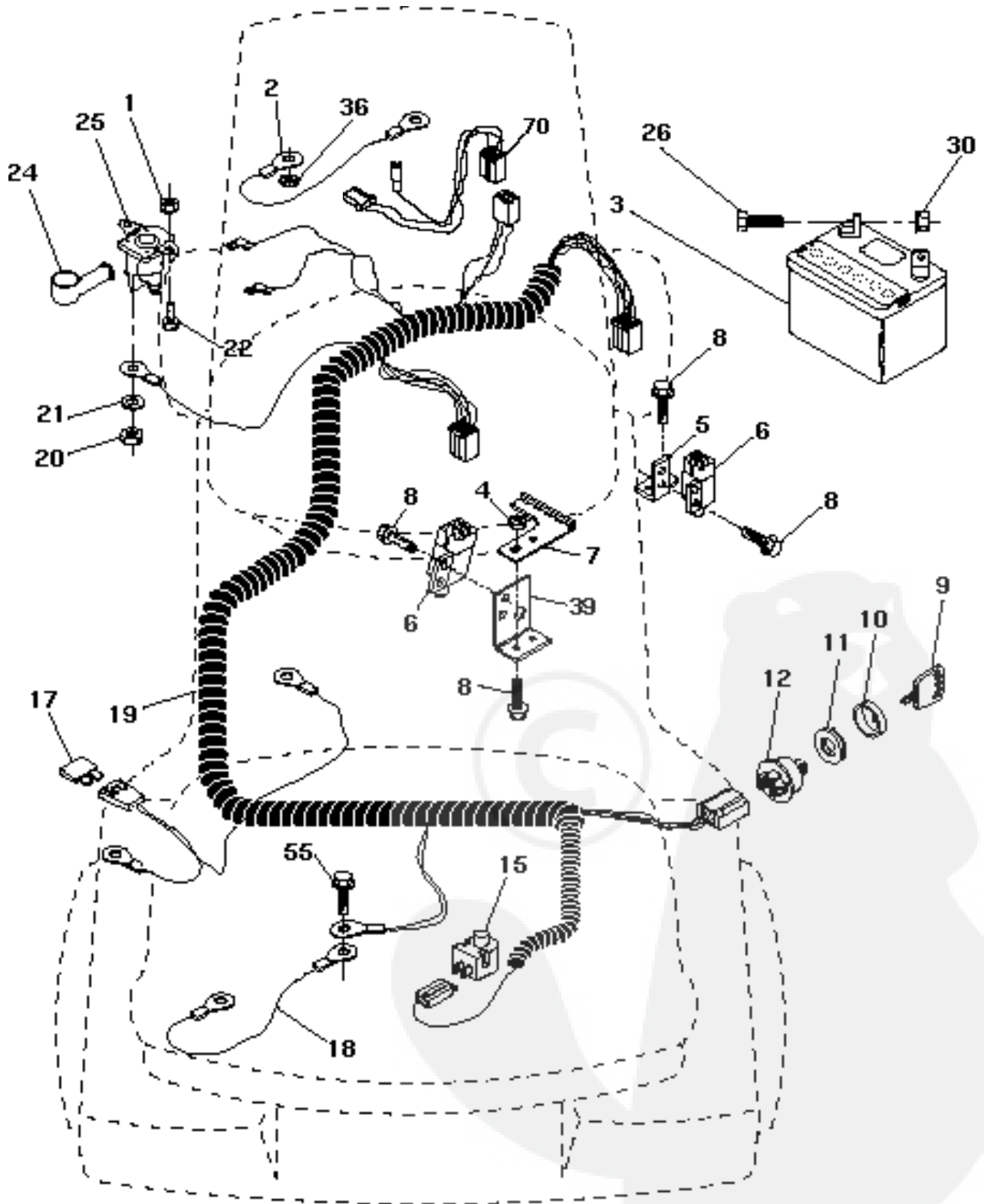
### E. No Dealer Warranty

Tecumseh neither assumes nor authorizes any other person, natural or corporate, to assume for Tecumseh any other obligations or liabilities in connection with or with respect to any part(s) of a Power Train Component. The seller or dealer of part(s) of a Power Train Component has no authority, whatsoever, to make any representations or promises on behalf of Tecumseh or to modify the terms or limitations of Tecumseh's warranty in any way.

# REPAIR PARTS

TRACTOR -- MODEL NUMBER WEX12B36B

## ELECTRICAL



# REPAIR PARTS

## TRACTOR - - MODEL NUMBER WEX12B36B

### ELECTRICAL

KEY NO.	PART NO.	DESCRIPTION
1	73640400	Nut, Hex, Keps 1/4-20
2	108423X	Assembly, Cable
3	144924	Battery
4	69180	Nut, lock #10-24 UNC
5	108236X	Bracket, Switch
6	109553X	Switch, Interlock, 4 Terminal
7	146374	Keeper, Actuator
8	17021008	Screw, Hex Head, Self-Tapping #10-24 x 1/2
9	140401	Key, Molded
10	141226	Cover, Ignition Key
11	140400	Nut, Ignition
12	<b>163088</b>	Switch, Ignition
15	121305X	Switch, Plunger
17	108824X	Fuse
18	128353	Assembly, Cable
19	<b>166143</b>	Harness, Ignition
20	73350400	Nut, Hex, Jam 1/4-20
21	10090400	Washer, Lock 1/4
22	71110408	Bolt, Hex, Fin. 1/4-20 UNC x 1/2 Grade 5
24	131563	Cover, Terminal
25	145673	Solenoid
26	74760412	Bolt, Hex Head 1/4-20 UNC x 3/4
30	<b>73510400</b>	Nut, Keps, Hex 1/4-20 UNC
36	11150400	Washer, Lock, Internal Tooth 1/4
39	141735	Bracket Switch Clutch
55	17490508	Screw Thdrol 5/16 - 18 x 1/2
70	<b>166658</b>	Harness Engine

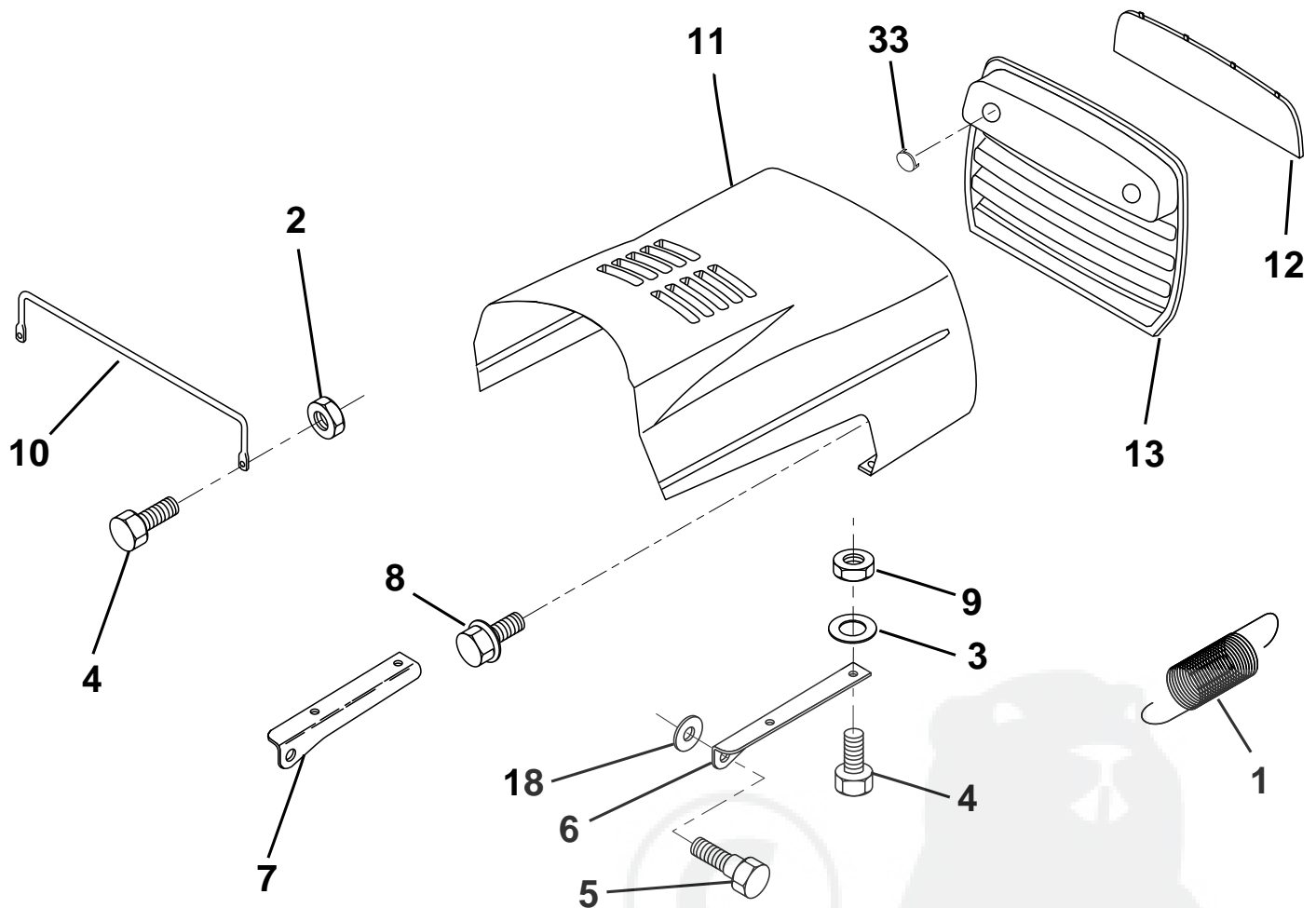
**NOTE:** All component dimensions given in U.S. inches  
1 inch = 25.4 mm

HARDWARE SHOWN LARGER FOR EASIER IDENTIFICATION

# REPAIR PARTS

## TRACTOR -- MODEL NUMBER WEX12B36B

### HOOD



KEY NO.	PART NO.	DESCRIPTION
1	124657X	Spring, Extension
2	73510400	Nut, Hex, Keps 1/4-20 UNC
3	19091416	Washer 9/32 x 7/8 x 16 Ga.
4	74780412	Bolt, Hex, Fin 1/4-20 x 3/4 Grade 5
5	139888	Bolt, Shoulder
6	122549X	Bracket, Hood, R.H.
7	122548X	Bracket, Hood, L.H.
8	17521312	Screw, Sltd. Hex Hd. W/Pl. Washer
9	73800400	Nut, Lock W/Insert 1/4-20

KEY NO.	PART NO.	DESCRIPTION
10	123693X	Brace, Hood
11	132918X550	Hood
12	122035X	Lens
13	127029X	Grill
18	19111116	Washer 11/32 x 11/16 x 16 Ga.
33	131319	Plug Socket Light

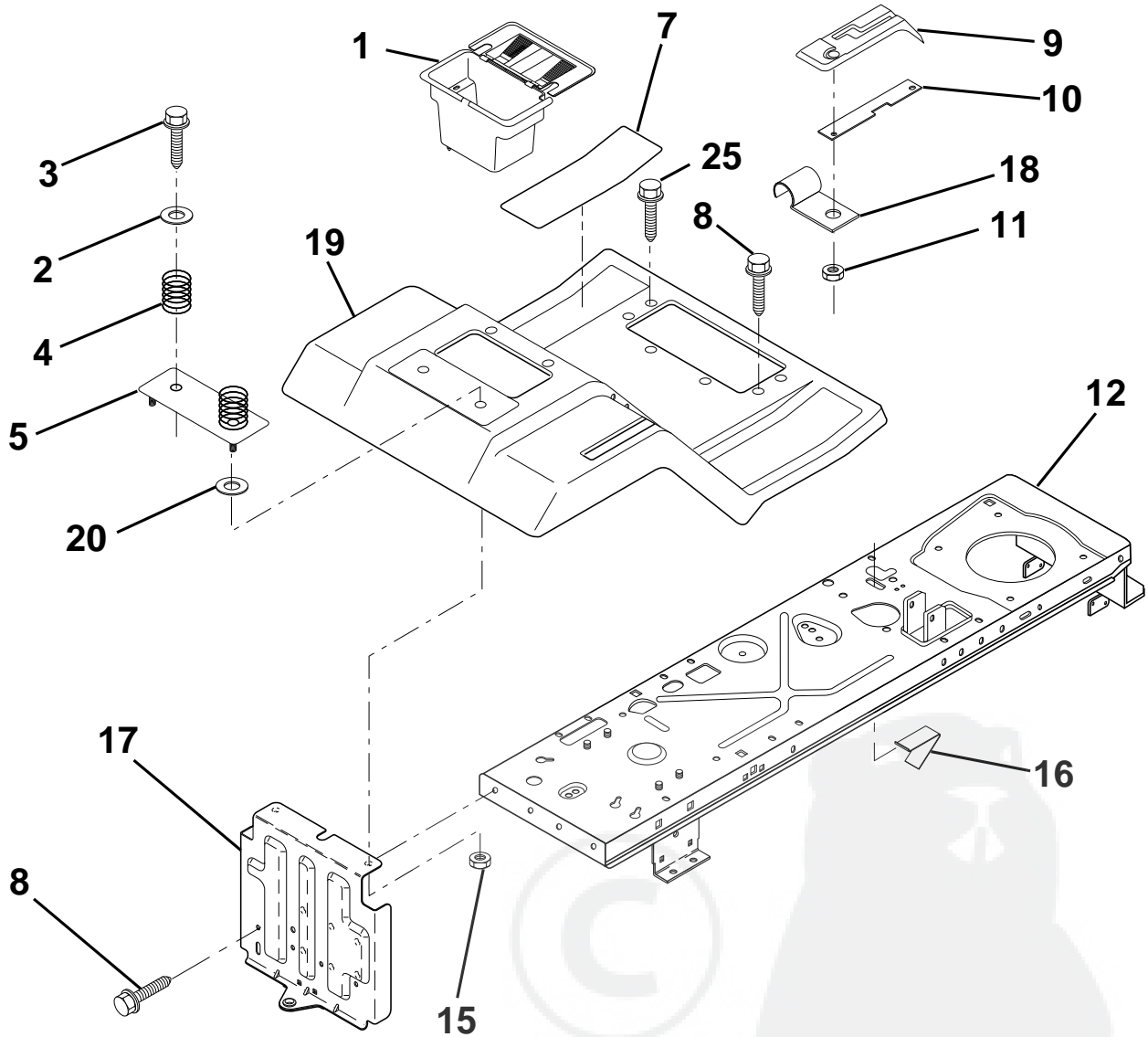
**NOTE:** All component dimensions given in U.S. inches  
1 inch = 25.4 mm.

HARDWARE SHOWN LARGER FOR EASIER IDENTIFICATION

# REPAIR PARTS

## TRACTOR - - MODEL NUMBER WEX12B36B

### FENDER / CHASSIS



KEY NO.	PART NO.	DESCRIPTION	KEY NO.	PART NO.	DESCRIPTION
1	156417	Case, Battery	12	145190	Chassis, Assembly, Weldment
2	19132012	Washer 13/32 x 1-1/4 x 12 Gauge	15	73640400	Nut, Hex, Keps 1/4-20
3	17490612	Screw, Hex Washer Head, Thd. Roll. 3/8-16 x 3/4	16	141736	Switch, Actuator
4	124181X	Spring, Compression, Seat	17	140782	Drawbar
5	127115X550	Plate, Battery	18	126470X	Clip, Insulated
7	124144X	Pad, Footrest	19	140955X550	Fender/Footrest
8	17490512	Screw, Hex Washer Head, Thd. Roll. 5/16-18 x 3/4	20	19091413	Washer 9/32 x 7/8 x 13 Gauge
9	126997X428	Console, Shift Control	25	17190516	Scr.-Hx Wsh Thd Rol 5/16 - 18 x 1T
10	139783	Bar, Shift Lock			
11	124346X	Nut, Self-Threading 3/16			

**NOTE:** All component dimensions given in U.S. inches  
1 inch = 25.4 mm.

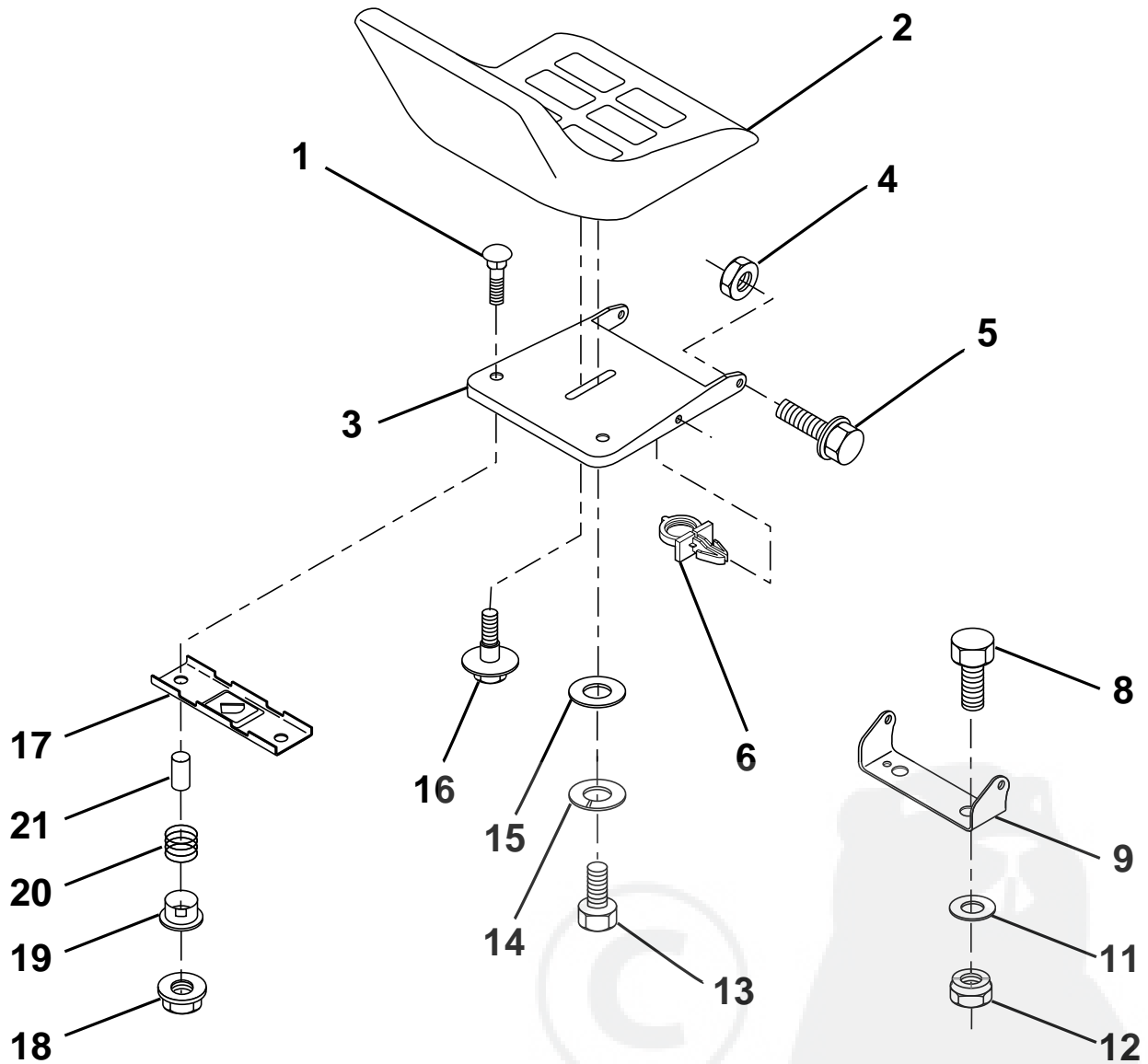
**HARDWARE SHOWN LARGER FOR EASIER IDENTIFICATION**



# REPAIR PARTS

## TRACTOR -- MODEL NUMBER WEX12B36B

### SEAT



KEY NO.	PART NO.	DESCRIPTION
1	72050412	Bolt, Carriage 1/4-20 x 1-1/2
2	<b>127427</b>	Seat
3	155925	Pan, Seat
4	73800500	Nut, Lock Hex W/Ins. 5/16-18
5	153236	Bolt, Shld. 5/16-18
6	145006	Clip, Push-In
8	74760616	Bolt, Hex, Fin 3/8-16 UNC x 3/4
9	140551	Bracket, Pivot, Seat
11	19133210	Washer 13/32 x 2 x 10 Gauge
12	73800600	Nut, Lock Hex W/Wsh 3/8-16

KEY NO.	PART NO.	DESCRIPTION
13	74780814	Bolt, Fin Hex 1/2 - 13 x 7/8 Gr. 5
14	10040800	Washer Lock Hvy HLCL Spr. 1/2
15	19171912	Washer 17/32 x 13/16 x 12 Gauge
16	127018X	Bolt, Shoulder
17	121246X	Bracket, Switch, Mounting
18	123976X	Locknut, Hex, Large, Flange
19	121248X	Bushing, Snap
20	121250X	Spring, Compression
21	134300	Spacer, Split, Large .28 Id. x .96

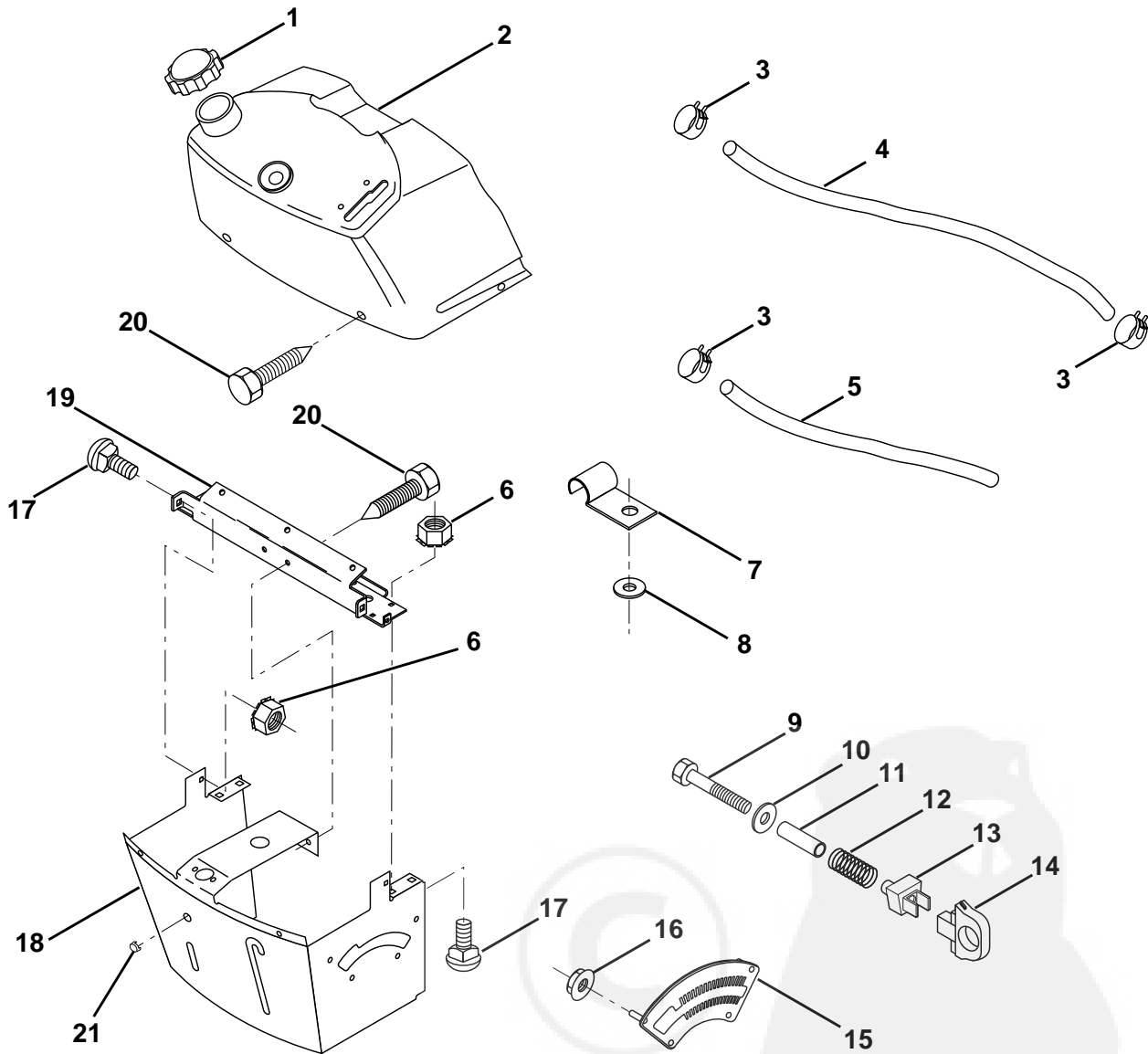
**NOTE:** All component dimensions given in U.S. inches  
1 inch = 25.4 mm.

HARDWARE SHOWN LARGER FOR EASIER IDENTIFICATION

# REPAIR PARTS

## TRACTOR - - MODEL NUMBER WEX12B36B

### DASH



KEY NO.	PART NO.	DESCRIPTION
1	141523	Cap, Fuel
2	138393	Assembly, Dash & Fuel Tank
3	123487X	Clamp, Hose
4	8544R	Line, Fuel
5	8548R	Line, Fuel
6	73640400	Nut, Hex, Keps 1/4-20
7	2751R	Clip, Fuel Line
8	19091216	Washer 9/32 x 3/4 x 16 Gauge
9	74760428	Bolt, Hex, Fin. 1/4-20 x 1-3/4
10	19091413	Washer 11/32 x 11/16 x 16 Gauge
11	121249X	Spacer, Split

KEY NO.	PART NO.	DESCRIPTION
12	3720R	Spring
13	126450X	Clip, Height Adjustment
14	126115X	Knob, Height Stop
15	122023X	Adjustment, Quadrant Height
16	124346X	Nut, Self-Threading 3/16-18
17	72110404	Bolt, Carriage 1/4-20 x 1/2 Grade 5
18	130745	Support Assembly, Dash
19	134744	Brace, Cross
20	17060408	Screw, Tap 1/4-20 x 1/2
21	134014	Plug, Dome

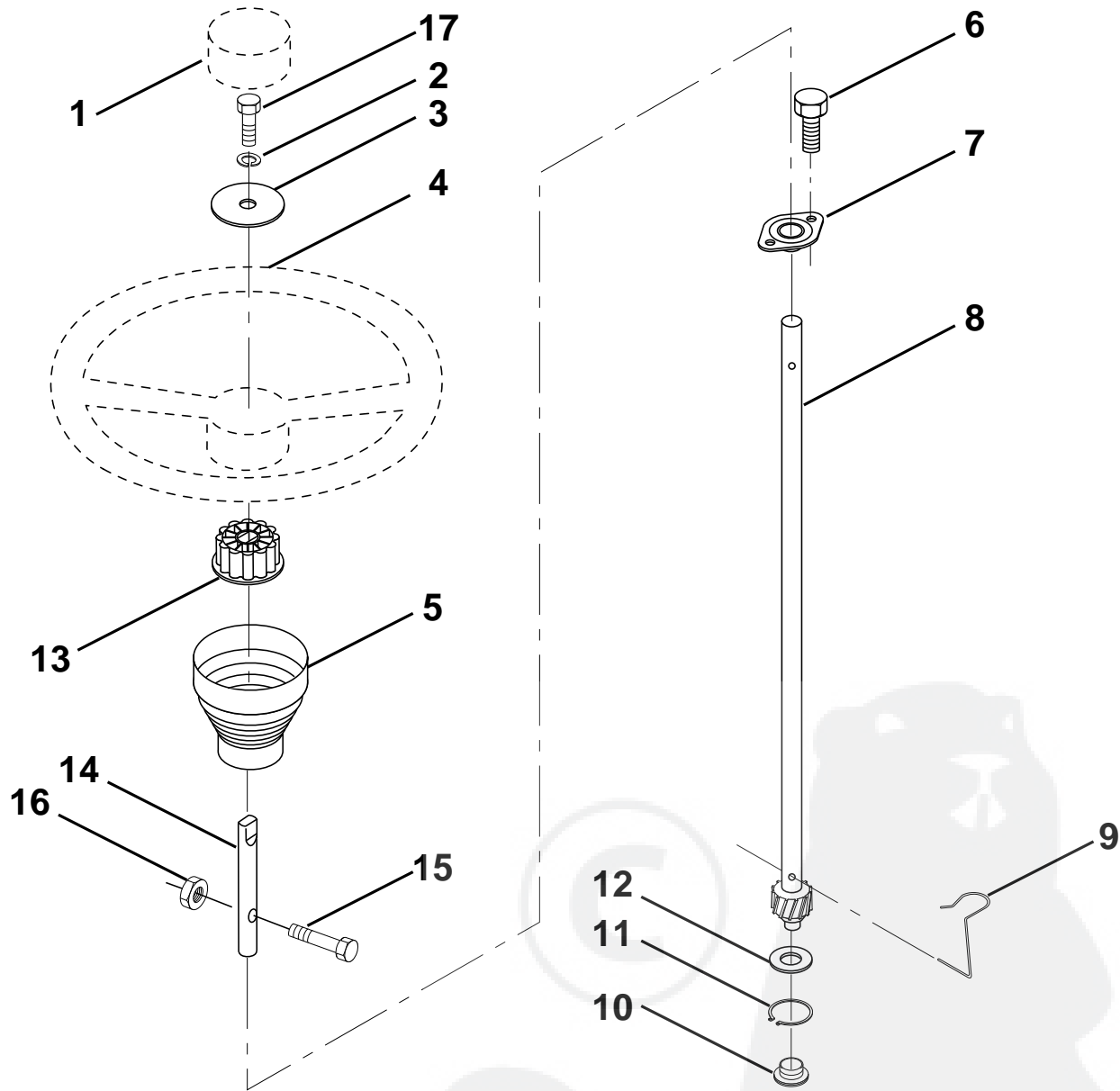
**NOTE:** All component dimensions given in U.S. inches  
1 inch = 25.4 mm.

**HARDWARE SHOWN LARGER FOR EASIER IDENTIFICATION**

# REPAIR PARTS

## TRACTOR -- MODEL NUMBER WEX12B36B

### STEERING WHEEL



KEY NO.	PART NO.	DESCRIPTION
1	133742	Insert, Steering Wheel
2	10040600	Washer, Lock Hvy. Hlcl Spr 3/8
3	19133808	Washer 13/32 x 2-3/8 x 8 Ga.
4	133741	Wheel, Steering
5	121897X	Sleeve, Steering
6	152927	Screw, TT #10-32 5 3/8 Flange
7	155104	Bushing, Steering
8	147391	Shaft, Steering
9	124210X	Clip, Steering
10	123438X	Bushing, Lower, Steering

KEY NO.	PART NO.	DESCRIPTION
11	12000045	Ring, Retaining
12	19211616	Washer 21/32 x 1 x 16 Ga.
13	100711L	Adaptor, Steering Wheel
14	153720	Extension Shaft Steering
15	74780520	Bolt Fin Hex 5/16-18 UNC x 1-1/4
16	73800500	Nut Lock Hx W/Insert 5/16-18 UNC
17	74780616	Bolt, Fin Hex 3/8-16 Unc x 1 Gr. 5

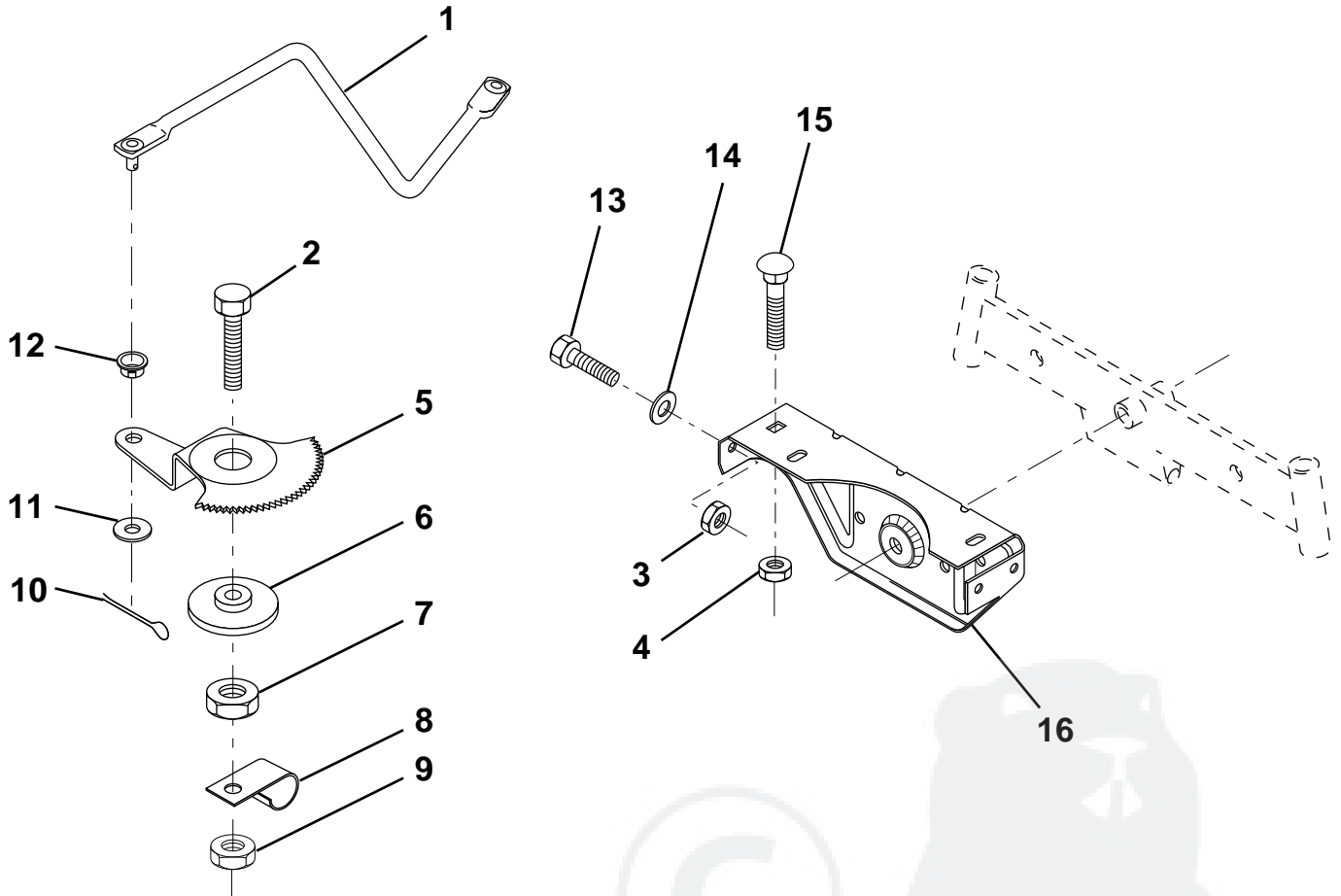
**NOTE:** All component dimensions given in U.S. inches.  
1 inch = 25.4 mm.

HARDWARE SHOWN LARGER FOR EASIER IDENTIFICATION

# REPAIR PARTS

## TRACTOR - - MODEL NUMBER WEX12B36B

### SECTOR GEAR / AXLE SUPPORT



KEY NO.	PART NO.	DESCRIPTION
1	132566	Link, Drag
2	74780828	Bolt, Hex, Fin 1/2-13 x 1-3/4
3	73680500	Nut, Crownlock 5/16-18
4	73680600	Nut, Crownlock 3/8-16 UNC
5	121926X	Gear, Sector
6	121927X	Bushing
7	73030800	Nut, Heavy, Hex, Top Lock 1/2-13 UNC
8	126472X	Clip, Wire
9	73680800	Nut, Crownlock 1/2-13

KEY NO.	PART NO.	DESCRIPTION
10	76020412	Pin, Cotter 1/8 x 3/4
11	19131316	Washer 13/32 x 13/16 x 16 Ga.
12	126847X	Bushing
13	74760512	Bolt, Hex 5/16-18 x 3/4
14	19111416	Washer 11/32 x 7/8 x 16 Ga.
15	72110606	Bolt, Carriage 3/8-16 UNC x 3/4
16	137096	Support, Front Axle

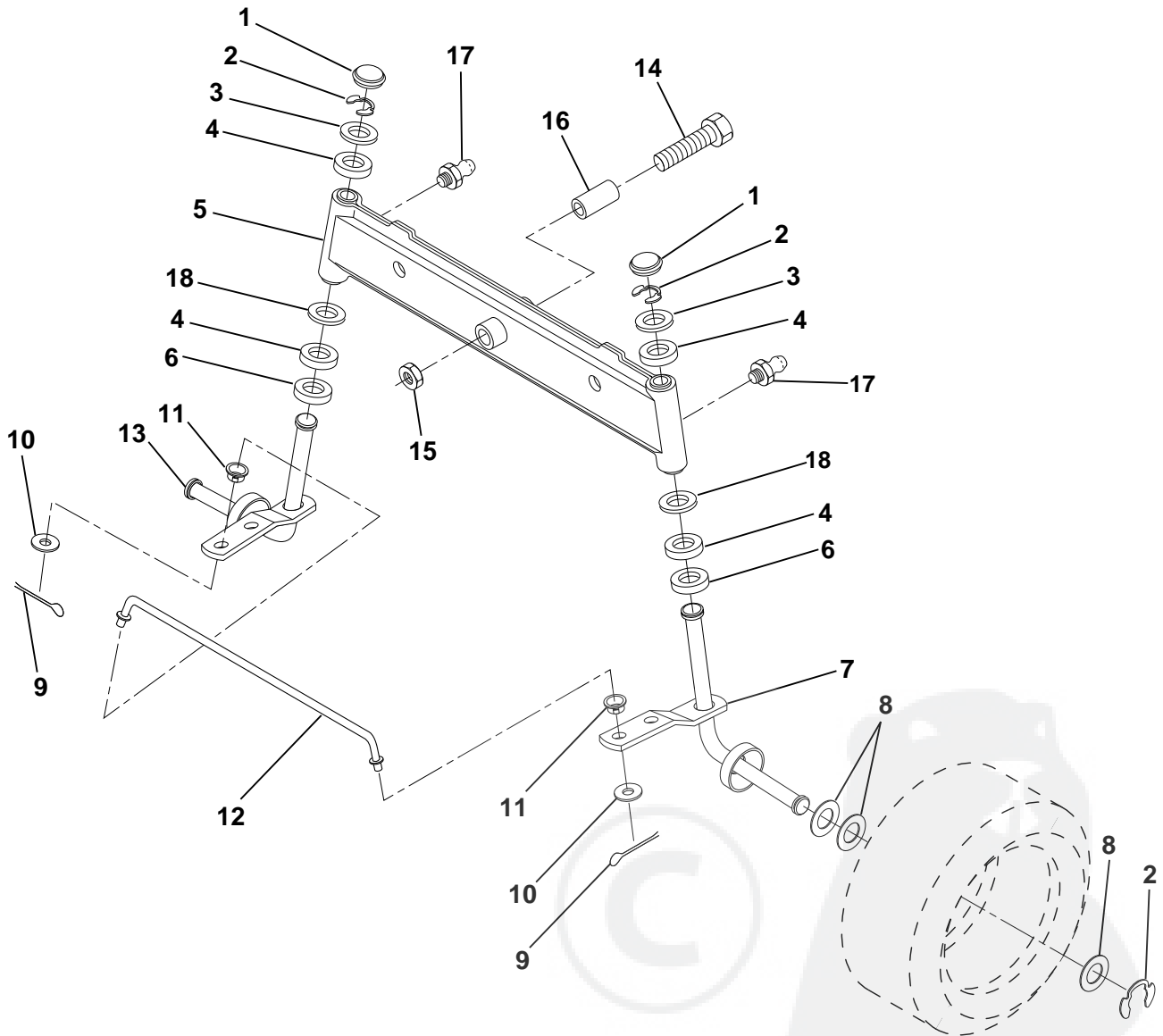
**NOTE:** All component dimensions given in U.S. inches  
1 inch = 25.4 mm.

HARDWARE SHOWN LARGER FOR EASIER IDENTIFICATION

# REPAIR PARTS

## TRACTOR -- MODEL NUMBER WEX12B36B

### FRONT AXLE



KEY NO.	PART NO.	DESCRIPTION
1	121232X	Cap, Spindle
2	12000029	Ring, Klip
3	121748X	Washer 25/32 x 1-5/8 x 16 Gauge
4	3366R	Bearing
5	142033	Axle, Front
6	6266H	Bearing, Thrust
7	161826	Spindle Assembly, R.H.
8	121749X	Washer 25/32 x 1-1/4 x 16 Gauge
9	76020412	Pin, Cotter 1/8 x 3/4
10	19131316	Washer 13/32 x 13/16 x 16 Gauge

KEY NO.	PART NO.	DESCRIPTION
11	126847X	Bushing
12	130465	Rod, Tie
13	161827	Spindle Assembly, L.H.
14	74011056	Bolt, Hex 5/8-11 x 3-1/2
15	73901000	Nut, Lock Flange 5/8-11
16	110438X	Spacer
17	6855M	Fitting, Grease
18	19272016	Washer 27/32 x 1-1/4 x 16 Ga.

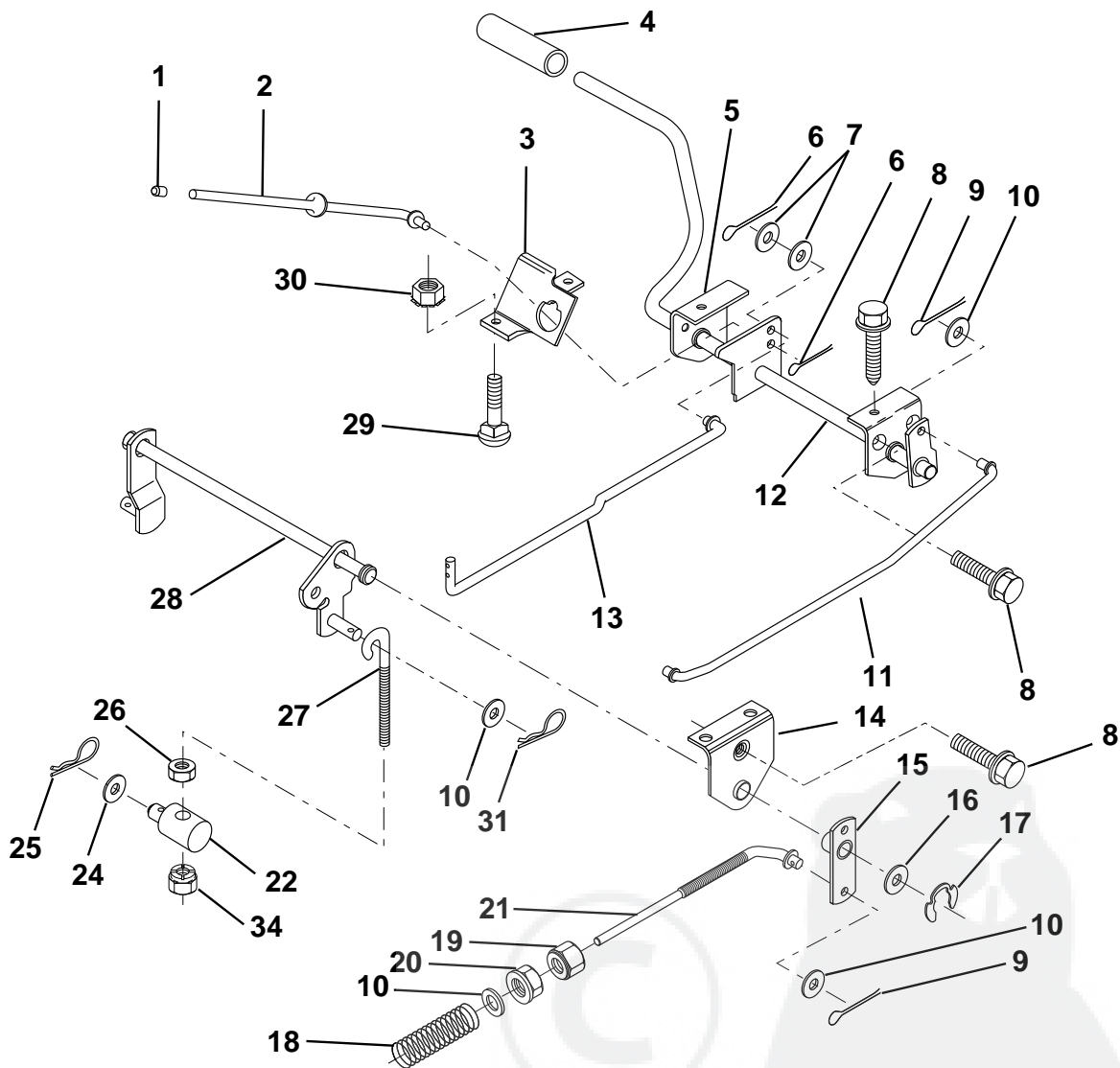
**NOTE:** All component dimensions given in U.S. inches  
1 inch = 25.4 mm.

HARDWARE SHOWN LARGER FOR EASIER IDENTIFICATION

# REPAIR PARTS

## TRACTOR - - MODEL NUMBER WEX12B36B

### BRAKE / REAR MOWER LIFT ASSEMBLY



**KEY NO. PART NO.**

KEY NO.	PART NO.	DESCRIPTION
1	71673	Cap, Parking Brake
2	123436X	Rod, Parking Brake
3	123437X	Bracket, Parking Brake
4	8156H	Cover, Pedal
5	122504X	Bracket, Pedal, Clutch LH
6	76020312	Pin, Cotter 3/32 x 3/4
7	19131016	Washer 13/32 x 5/8 x 16 Gauge
8	17490508	Screw, Hex, Thd. Roll. 5/16-18 x 1/2
9	76020412	Pin, Cotter 1/8 x 3/4
10	19131316	Washer 13/32 x 13/16 x 16 Gauge
11	123543X	Rod, Front Brake
12	139933	Assembly, Clutch/Brake Pedal
13	123394X	Rod, Clutch
14	121978X	Bracket, Lift, Shaft
15	133332	Assembly, Brake, Pivot, Arm
16	19251816	Washer 25/32 x 1-1/8 x 16 Gauge
17	12000034	Ring, Klip

**KEY NO. PART NO.**

KEY NO.	PART NO.	DESCRIPTION
18	151332	Spring, Brake Rod
19	73350600	Nut, Hex Jam 3/8-16 UNC
20	73800600	Nut Lock Hex W/Insert 3/8-16 UNC
21	131460	Rod, Rear Brake
22	144585	Trunnion, Lift
24	19132012	Washer 13/32 x 1-1/4 x 12 Gauge
25	4921H	Spring, Retainer
26	73930600	Nut, Centerlock 3/8-16 UNC
27	127369	Link, Threaded
28	140776	Assembly, Rear Mower Lift
29	72110506	Bolt, Carriage 5/16-18 UNC x 3/4
30	73510500	Nut, Keps 5/16-18 UNC
31	3146R	Retainer, Spring
34	73680600	Nut, Crownlock 3/8-16

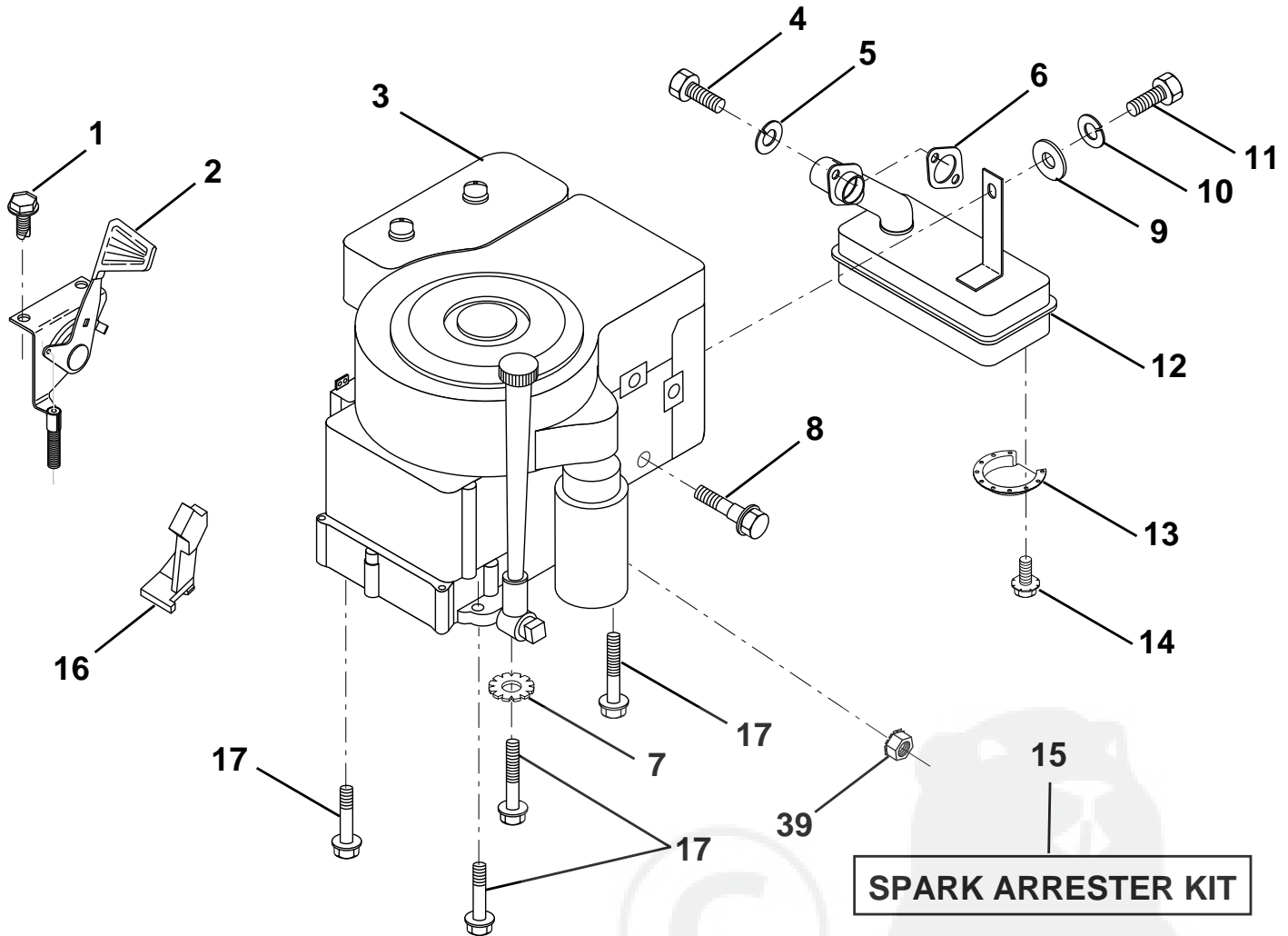
**NOTE:** All component dimensions given in U.S. inches  
1 inch = 25.4 mm.

**HARDWARE SHOWN LARGER FOR EASIER IDENTIFICATION**

# REPAIR PARTS

## TRACTOR -- MODEL NUMBER WEX12B36B

### ENGINE / THROTTLE



KEY NO.	PART NO.	DESCRIPTION
1	17060408	Screw, Hex, Thread Cutting 1/4-20 x 1/2
2	133025	Control, Throttle
3	-----	Engine, B&S, Model #289707
4	71070512	Screw, Hex Hd
5	10040500	Washer, Lock, Heavy Helical Spring 5/16
6	<b>165291</b>	Gasket, Exhaust
7	11050600	Washer Lock Ext Tooth 3/8
8	121094X	Bolt, Shoulder 5/16 UNC
9	19101216	Washer 5/16 x 3/4 x 16 Gauge
10	10040400	Washer, Lock, Hvy Hlcl Spring 1/4

KEY NO.	PART NO.	DESCRIPTION
11	-----	Bolt, Order from Engine Mfg.
12	137437	Muffler
13	101326L	Deflector, Muffler
14	17030808	Screw, Spiderlock
15	137180	Kit, Spark Arrester (Optional)
16	127951	Stop, Choke
17	17490624	Screw, Hex Washer Head, Thd. Roll. 3/8-16 x 1-1/2
39	128861	Nut Flange 1/4-20

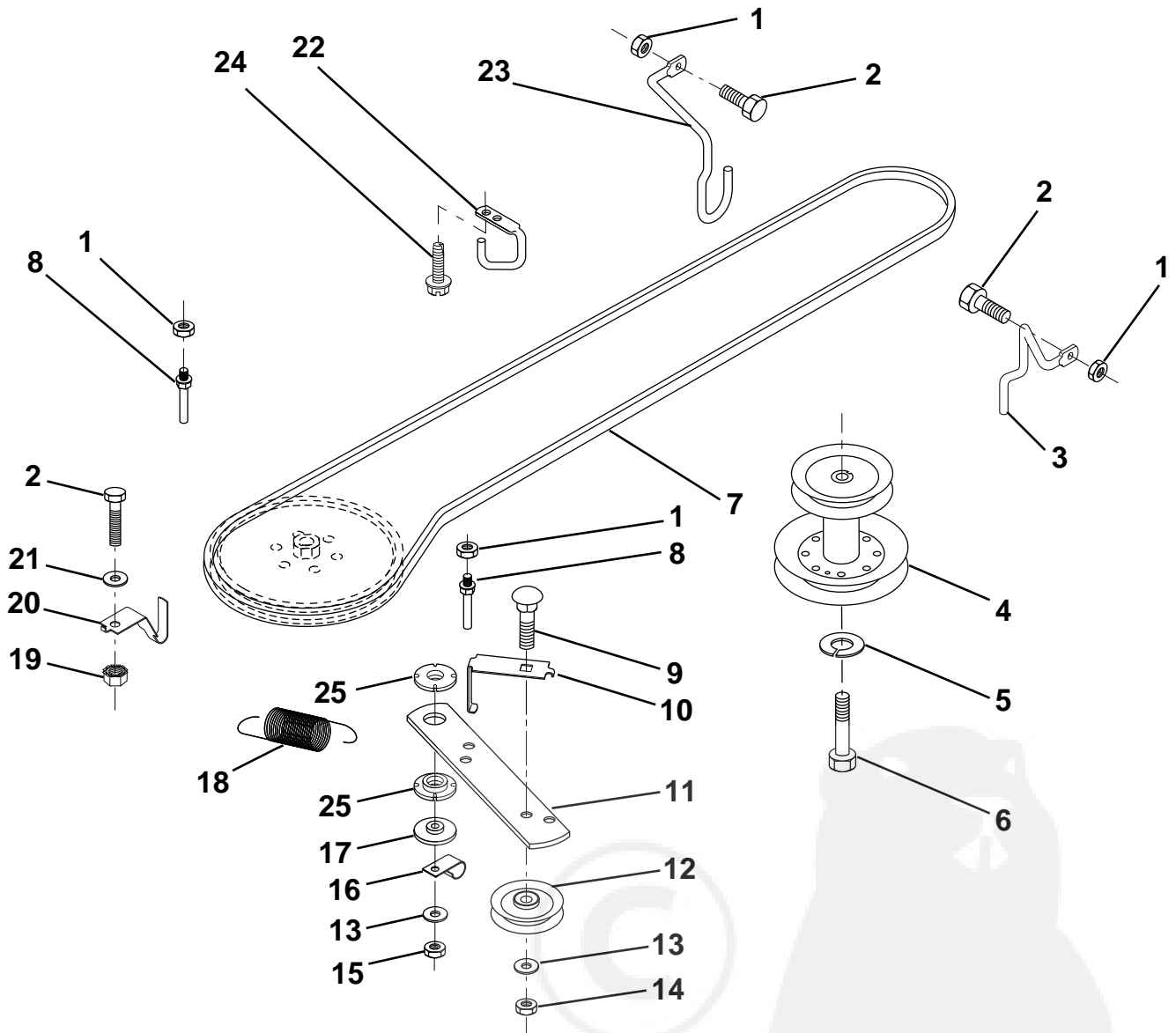
**NOTE:** All component dimensions given in U.S. inches  
1 inch = 25.4 mm

HARDWARE SHOWN LARGER FOR EASIER IDENTIFICATION

# REPAIR PARTS

## TRACTOR - - MODEL NUMBER WEX12B36B

### GROUND DRIVE



KEY NO.	PART NO.	DESCRIPTION	KEY NO.	PART NO.	DESCRIPTION
1	73680500	Nut, Lock Hex W/Ins 5/16-18	14	73930600	Nut, Centerlock 3/8-16 UNC
2	74760512	Bolt, Hex 5/16-18 UNC x 3/4	15	73680600	Nut, Crownlock 3/8-16
3	141342	Keeper, Mower Drive Belt, Engine, R.H.	16	126471X	Clip, Insulated
4	138029	Pulley, Engine	17	150932	Spacer, Retainer
5	10040700	Washer, Lock, Heavy Helical Spring 7/16	18	131459	Spring, Extension
6	71170744	Bolt, Hex, 7/16-20 x 2-3/4 Grade 5	19	73510500	Nut, Keps 5/16-18 UNC
7	126520X	Traction, V-Belt Drive	20	139919	Keeper, T/A Ground Drive Belt
8	123405X	Keeper, T/A Ground Drive Belt	21	19111016	Washer 11/32 x 5/8 x 16 Gauge
9	72140612	Bolt, Carriage 3/8-16 UNC x 1-1/2	22	123404X	Keeper, Ground Drive Belt, Frame
10	123396X	Keeper, Ground Drive Belt, Idler	23	140916	Keeper, Mower Drive Belt, L.H.
11	150926	Arm, Ground Drive Clutch	24	17720408	Screw, Thdcut 1/4-20 x 1/2
12	123674X	Idler, Flat	25	150935	Bushing
13	19131316	Washer 13/32 x 13/16 x 16 Gauge			

**NOTE:** All component dimensions given in U.S. inches  
1 inch = 25.4 mm

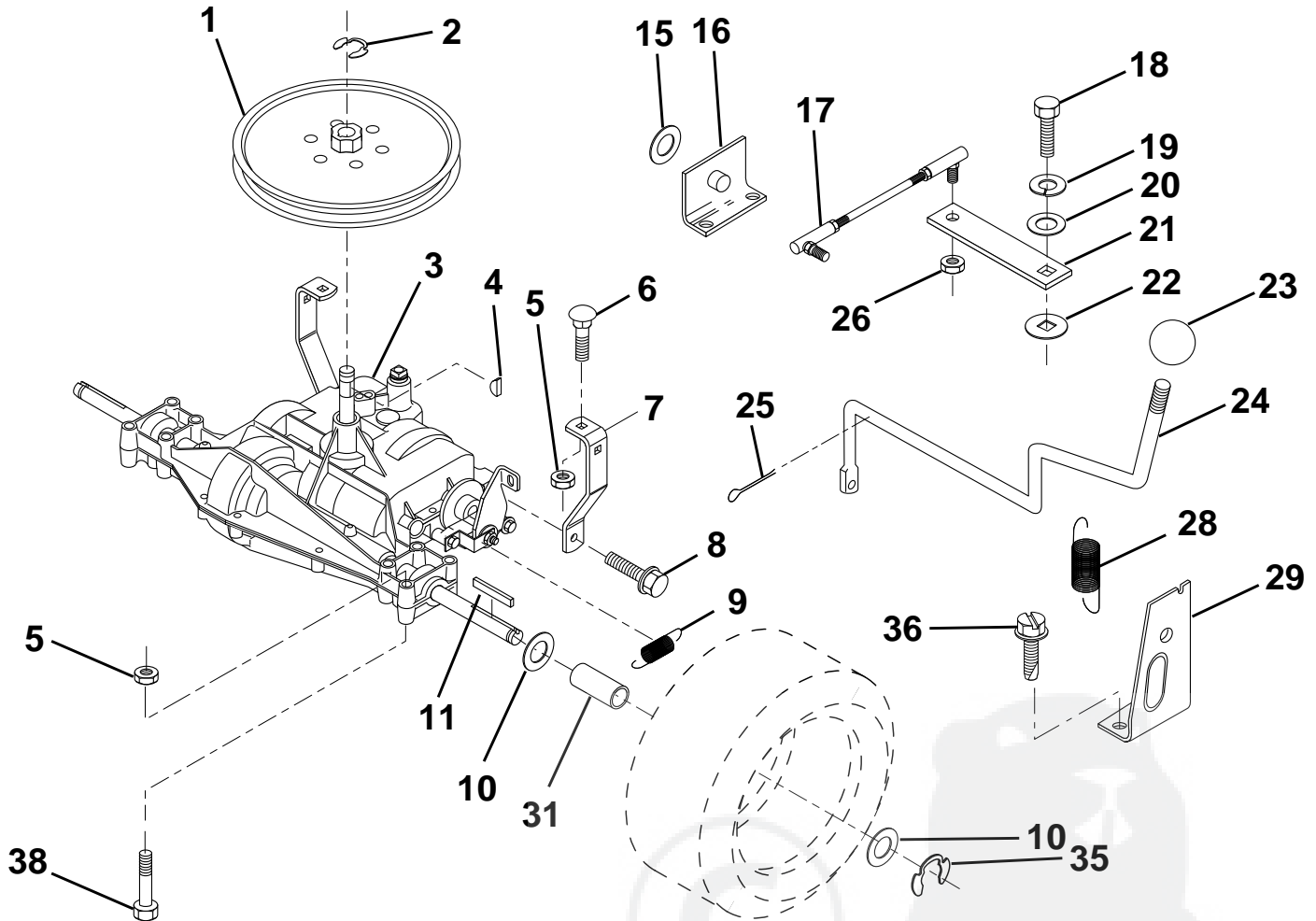
**HARDWARE SHOWN LARGER FOR EASIER IDENTIFICATION**



# REPAIR PARTS

## TRACTOR -- MODEL NUMBER WEX12B36B

### TRANSAXLE



KEY NO.	PART NO.	DESCRIPTION
1	123385X	Pulley
2	12000028	Ring, Retainer
3	-----	Transaxle, Peerless Model # 205-507B
4	2228M	Key, Woodruff #9
5	73680500	Nut, Crownlock 5/16-18
6	72140506	Bolt, Carriage 5/16-18 UNC x 3/4
7	123378X	Strap, Torque
8	17490512	Screw 5/16-18 x 3/4
9	146682	Spring, Brake
10	121749X	Washer 25/32 x 1-1/4 x 16 Ga.
11	123583X	Key, Square
15	19171616	Washer 17/32 x 1 x 16 Ga.
16	124600	Support, Handle Shift LH
17	126293X	Link, Shift
18	74550412	Bolt, Fin Hex 1/4-28 UNF x 3/4 Gr. 8
19	10040400	Washer, Lock 1/4

KEY NO.	PART NO.	DESCRIPTION
20	19091210	Washer 9/32 x 3/4 x 10 Ga.
21	126292X	Arm, Shift
22	105701X	Washer, Shift Plate
23	106933X	Knob
24	128215	Rod, Shift
25	76020416	Pin, Cotter 1/8 x 1
26	73810500	Locknut 5/16-24 UNF
28	128085	Spring, Extension
29	128084	Support, Handle Shift RH
31	137057	Spacer, Axle
35	12000001	E-Ring
36	17720408	Screw, Thdcut 1/4-20 x 1/2
38	<b>74490540</b>	Bolt, Hex, Flgnd 5/16-18

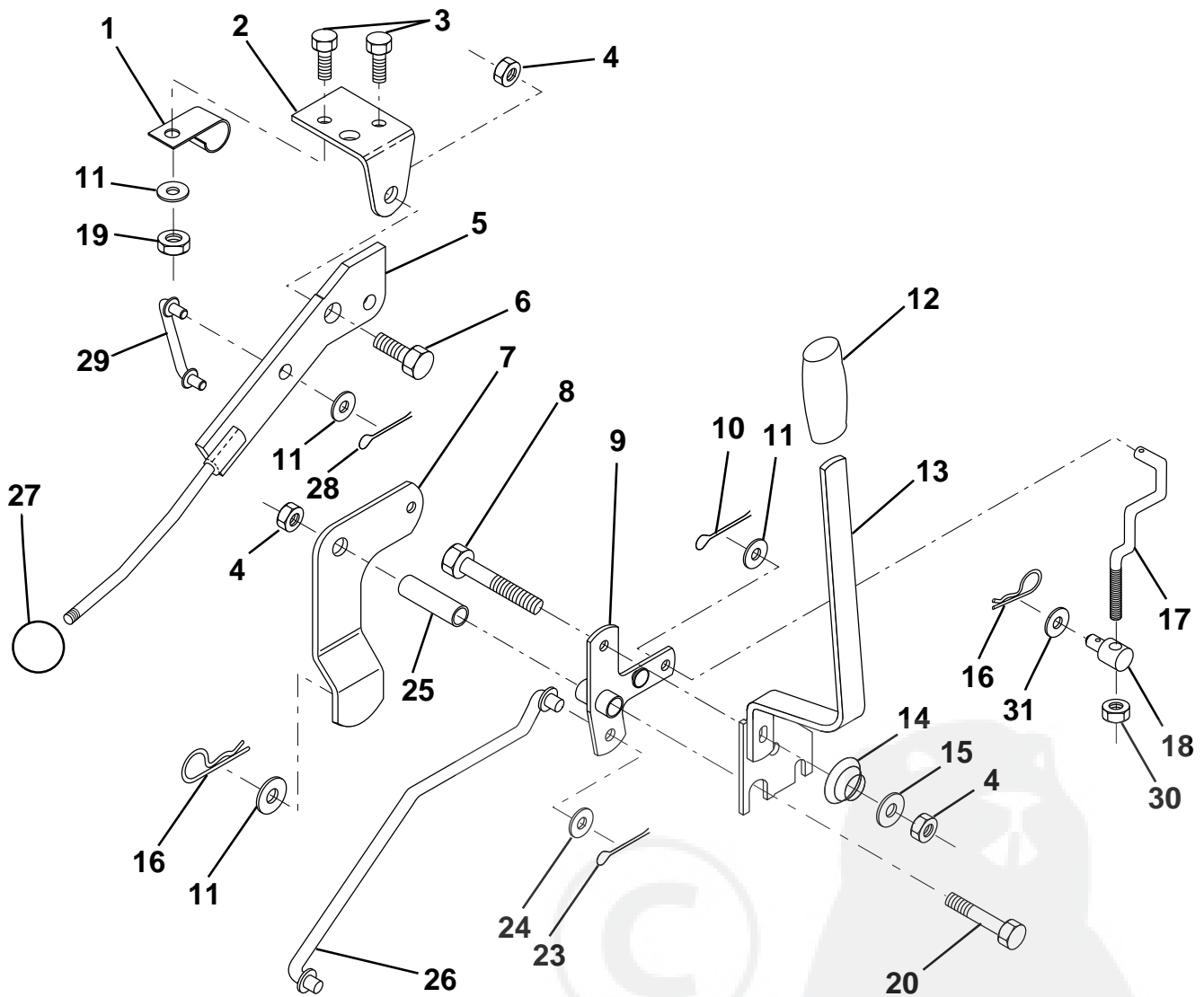
**NOTE:** All component dimensions given in U.S. inches  
1 inch = 25.4 mm

HARDWARE SHOWN LARGER FOR EASIER IDENTIFICATION

# REPAIR PARTS

## TRACTOR - - MODEL NUMBER WEX12B36B

### MOWER LIFT LEVER



KEY NO.	PART NO.	DESCRIPTION	KEY NO.	PART NO.	DESCRIPTION
1	126470X	Clip, Insulated	16	4921H	Retainer, Spring
2	122018X	Bracket, Mower Clutch	17	127359	Link, Front Lift
3	71110408	Bolt, Hex, Fin 1/4-20 UNC x 1/2 Grade 5	18	142028	Trunnion, Threaded 3/8-16
4	73680600	Nut, Crownlock 3/8-16	19	<b>73680400</b>	Nut, Crownlock 1/4-20
5	145187	Assembly, Clutch Lever	20	74760644	Bolt, Hex, Fin. 3/8-16 UNC x 2-3/4
6	106451X	Bolt, Shoulder	23	76020416	Pin, Cotter 1/8 x 1
7	135371	Assembly, Mower Clutch Arm	24	19171612	Washer 17/32 x 1 x 16 Gauge
8	74760636	Bolt, Hex 3/8-16 UNC x 2-1/4	25	121933X	Tube, Spacer
9	121930X	Assembly, Bellcrank, Lift	26	141470	Rod, Mower Lift
10	76020412	Pin, Cotter 1/8 x 3/4	27	106932X	Knob, Rd
11	19131316	Washer 13/32 x 13/16 x 16 Gauge	28	76020312	Pin, Cotter 3/32 x 3/4
12	131861	Sleeve, Handle	29	131655	Link, Mower Clutch
13	139352	Assembly, Lift Handle	30	73350600	Nut, Hex Jam 3/8-16
14	123496X	Spring, Compression	31	19132012	Washer 13/32 x 1-1/4 x 12 Ga.
15	19131212	Washer 13/32 x 3/4 x 12 Gauge			

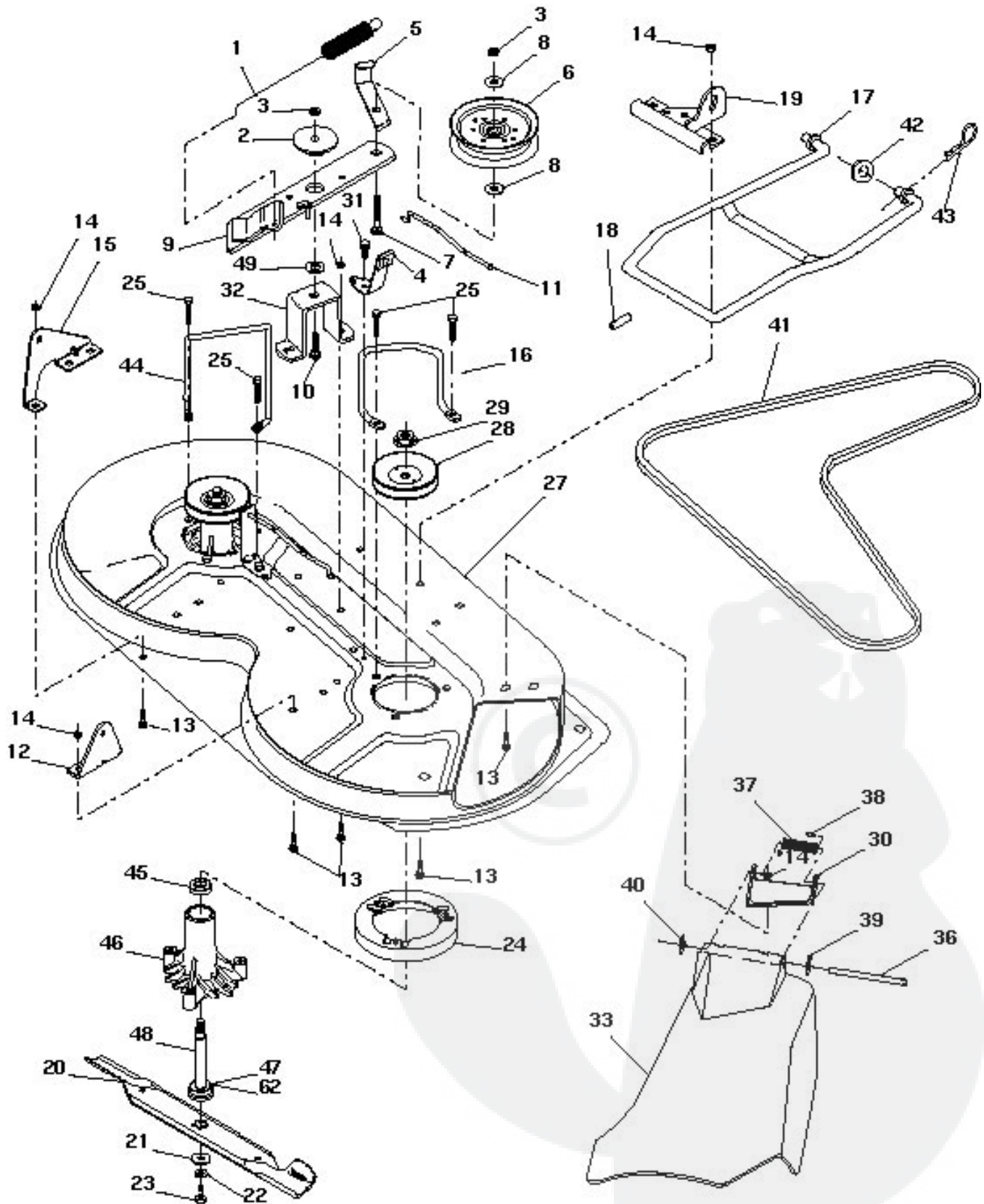
**NOTE:** All component dimensions given in U.S. inches  
1 inch = 25.4 mm.

**HARDWARE SHOWN LARGER FOR EASIER IDENTIFICATION**

# REPAIR PARTS

TRACTOR -- MODEL NUMBER WEX12B36B

## MOWER DECK



# REPAIR PARTS

## TRACTOR - - MODEL NUMBER WEX12B36B

### MOWER DECK

KEY NO.	PART NO.	DESCRIPTION	KEY NO.	PART NO.	DESCRIPTION
1	140064	Spring, Mower Clutch	29	137266	Nut, Flangelock 9/16
2	122052X	Spacer, Retainer	30	136631	Bracket, Deflector
3	73680600	Nut, Crownlock 3/8-16	31	17490508	Screw, Hex Washer Head, Thd. Roll. 5/16-18 x 1/2
4	130840	Assembly, Brake	32	122051X	Arm, Support Idler, Mower
5	131251	Guide, Belt Idler	33	131560	Shield, Deflector
6	121316X	Idler, Flat	36	121980X	Rod, Hinge
7	72110616	Bolt, Carriage 3/8-16 x 2 Grade 5	37	123713X	Spring, Torsion Deflector
8	19131410	Washer 13/32 x 7/8 x 10 Gauge	38	105304X	Cap, Sleeve
9	127744	Assembly, Mower Idler Arm	39	19111016	Washer 11/32 x 5/8 x 16 Gauge
10	72140610	Bolt, Carriage 3/8-16 x 1-1/4	40	110452X	Nut, Push
11	130841	Rod, Brake	41	131264	V-Belt
12	127356	Bracket, Rear Lift, R.H.	42	19171616	Washer 11/32 x 5/8 x 16 Gauge
13	72140506	Bolt, Carriage 5/16-18 UNC x 5/8	43	3146R	Clip, Hairpin
14	73680500	Nut, Crownlock 5/16-18	44	140608	Keeper, L.H.
15	127357	Bracket, Rear Lift, L.H.	45	110485X	Bearing
16	153298	Keeper, R.H.	46	128774	Housing, Mandrel, Vented
17	128508	Stabilizer, Mower Link	47	129895	Bearing
18	128511	Pin, Drive	48	137645	Shaft, Mandrel (Includes Key Number 47)
19	127380	Bracket, Stabilizer Link	49	133943	Washer, Hardened
20	138496	Blade, Mwr 36 High Lift	62	153390	Washer, Felt
21	140296	Washer, Hard Blade Mower Vented	--	130794	Mandrel Assembly (Includes Key Numbers 21-23, 26, 29 and 45-48)
22	10030600	Washer, Lock, Heavy 3/8	--	156866	Deck, Serv 36 HP
23	850857	Bolt 3/8-24 x 1-1/4 Grade 8			
24	140329	Stripper			
25	157722	Screw, Thdrol. Washer Hd			
27	156600	Housing, Mower			
28	153531	Pulley, Mandrel			

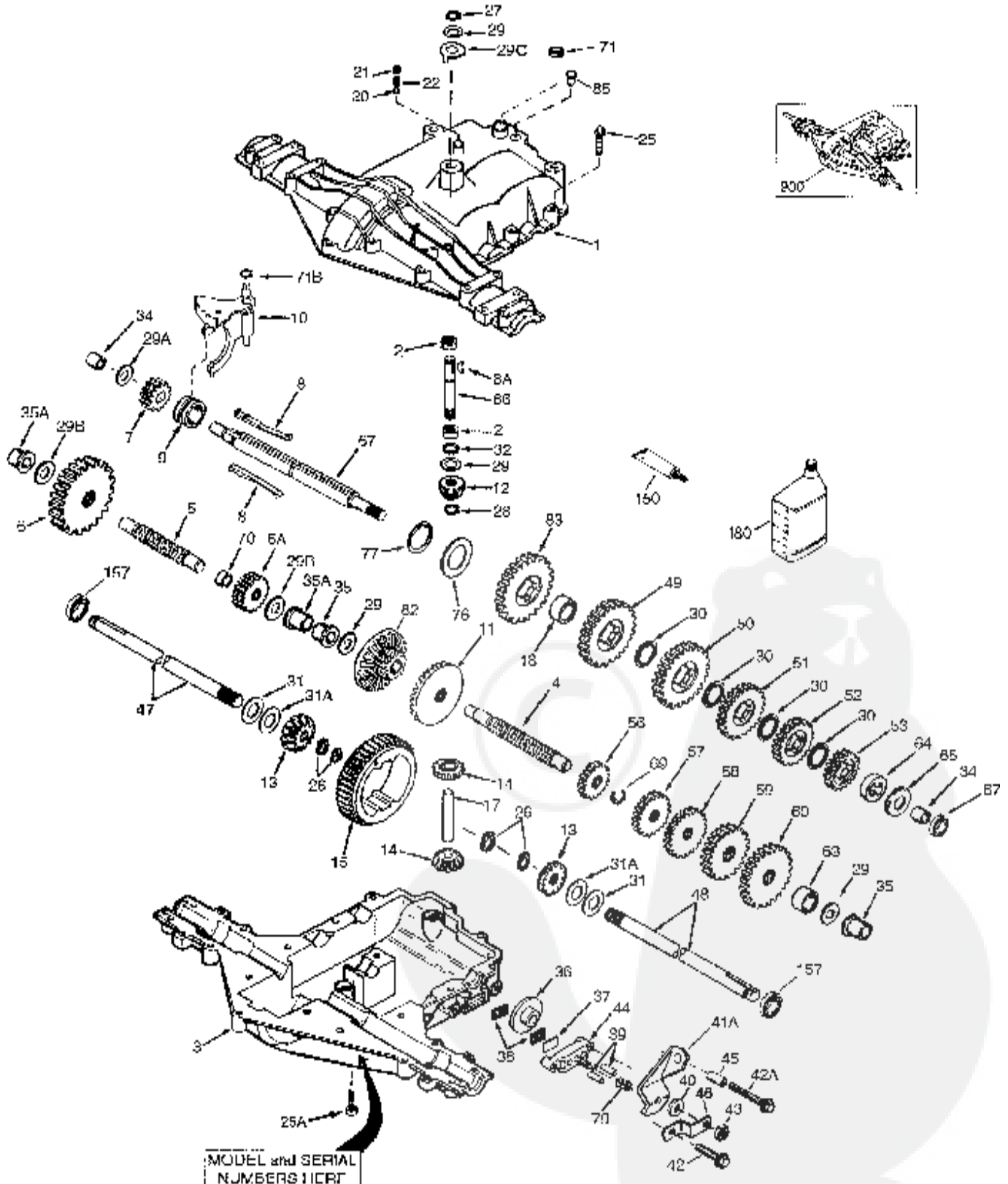
**NOTE:** All component dimensions given in U.S. inches  
1 inch = 25.4 mm.

HARDWARE SHOWN LARGER FOR EASIER IDENTIFICATION

# REPAIR PARTS

TRACTOR - - MODEL NUMBER WEX12B36B

PEERLESS TRANSAXLE - MODEL NUMBER 205-507B



# REPAIR PARTS

## TRACTOR - - MODEL NUMBER WEX12B36B

### PEERLESS TRANSAXLE - MODEL NUMBER 205-507B

KEY PART NO.	PART NO.	DESCRIPTION	KEY PART NO.	PART NO.	DESCRIPTION
1	772147	Transaxle Cover	41A	790079	Brake Lever
2	780086A	Needle Bearing 5/8" ID	42	792073A	Screw 1/4-20 x 1-1/4"
3	770128	Transaxle Case	42A	792085A	Screw 1/4-20 x 2-1/4"
4	776395	Countershaft	43	792075	Locknut 5/16-24
5	776409	Output Shaft	44	790025	Brake Pad Holder
6	778364	Spur Gear (38 teeth)	45	786066	Spacer
6A	778369	Spur Gear (15 teeth)	46	786086	Brake Lever Bracket
7	778330	Spur Gear (11 teeth)	47	774690	Axle (11-15/16" long)
8	792180	Shift Key	48	774691	Axle (16-1/2" long)
8A	792047	Woodruff Key #9	49	778356	Spur Gear (29 teeth)
9	784352	Shift Collar	50	778354	Spur Gear (23 teeth)
10	784378	Shift Rod & Fork	51	778352	Spur Gear (19 teeth)
11	778334	Bevel Gear (30 teeth)	52	778350	Spur Gear (16 teeth)
12	778309	Input Bevel Pinion (13 teeth)	53	778346	Spur Gear (15 teeth)
13	778368	Bevel Gear (13 teeth) (Incl. 14)	56	778355	Spur Gear (11 teeth)
14	778367	Bevel Pinion (13 teeth) (Incl. 13)	57	778353	Spur Gear (17 teeth)
15	778370	Ring Gear (43 teeth)	58	778351	Spur Gear (21 teeth)
17	786188	Drive Pin	59	778349	Spur Gear (24 teeth)
18	786102	Spacer	60	778345	Spur Gear (25 teeth)
20	792077	Ball 5/16" dia	63	786071	Countershaft Spacer 1-1/8" x 3/8"
21	792078	Set Screw 3/8-16 x 3/8"	64	786072	Brake Shaft Spacer 1-3/8" x 3/8"
22	792079	Spring	65	780189	Washer
25	792073A	Screw 1/4-20 x 1-1/4"	66	776422	Input Shaft
25A	792177	Screw 1/4-20 x 1-3/8"	67	776396	Shifter & Brake Shaft
26	792125	Retaining Ring (pkg of 2)	69	792170	Retaining Ring
27	792035	Retaining Ring	70	786187	Spacer .890
28	788040	Retaining Ring	71	788069	Square Cut Ring
29	780072	Washer	71B	788092	"O" Ring
29A	780160	Washer	76	780090	Washer
29B	780051	Thrust Washer (.762 ID)	77	788078A	Inverted Retaining Ring
29C	780199	Anti-Rotation Washer .632	79	792144	Spring
30	780108	Washer	82	778333	Bevel & Spur Gear (30 & 13 teeth)
31	780001	Washer (.056 wide) (USE AS NEEDED)	83	778338	Spur Gear (27 teeth)
31A	780195	Flat Washer (.062 wide)	85	792154	Oil Fill Plug
32	788083	Oil Seal 5/8"	87	788089	Oil Seal 9/16"
34	780194	Bushing 9/16"	150	788093A	Liquid Gasket RTV Silicone
35	780193	Flanged Bushing 5/8" ID	157	788088	Oil Seal 3/4"
35A	780197	Flanged Bushing 3/4"	180	730229A	Gear Oil 80W90
36	790075	Brake Disk	900	794684	Replacement 205-507B Transaxle
37	790007	Brake Pad Plate			
38	799021	Brake Pad (pkg of 2)			
39	786026	Dowel Pin			
40	792076A	Flat Washer			

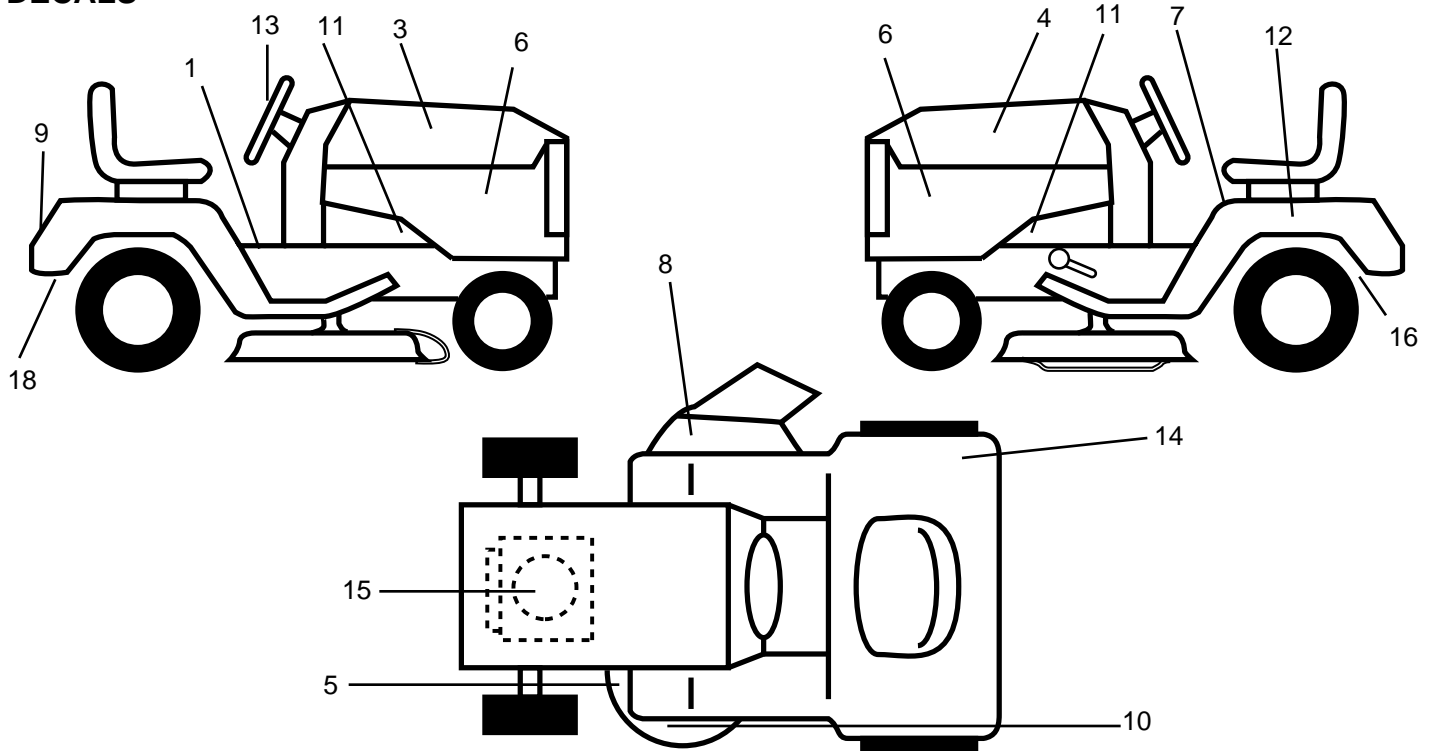
Parts must be ordered from Tecumseh Products Co.

**NOTE:** All component dimensions given in U.S. inches  
1 inch = 25.4 mm

# REPAIR PARTS

## TRACTOR -- MODEL NUMBER WEX12B36B

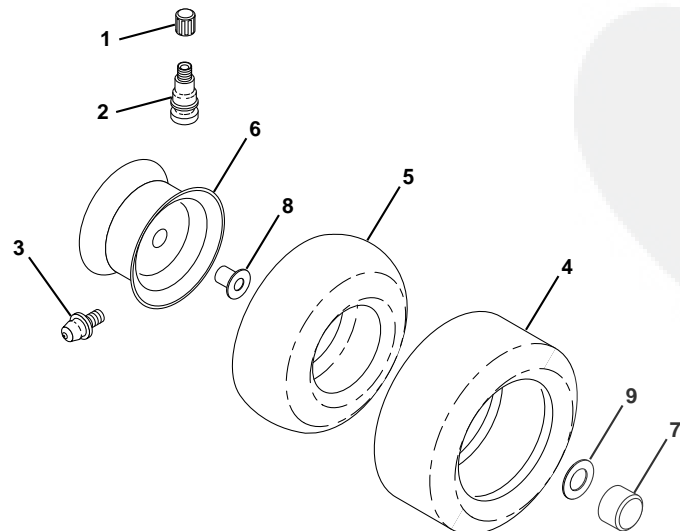
### DECALS



KEY NO.	PART NO.	DESCRIPTION
1	159739	Decal, Brake/Clutch Sym.
3	162968	Decal, Hood, R.H.
4	162969	Decal, Hood L.H.
5	136830	Decal, V-Belt Sch.
6	162971	Decal, Pnl Side
7	145498	Decal, Read Owner's Manual Sym
8	145494	Decal, Cutfinger Sym
9	162395	Decal, Fender
10	162391	Decal, Deck, Mower
11	159736	Decal, Chassis Hot Muffler
12	145005	Decal, Caution, Battery

KEY NO.	PART NO.	DESCRIPTION
13	162970	Decal, Insert, Steering
14	<b>126187X</b>	Decal 100 DbA
15	<b>165297</b>	Decal, Engine
16	162598	Decal, Drawbar Load Limit
18	145437	Decal, Europe, Stand, CE
--	138311	Decal, Handle, Lift
--	157065	Manual, Operator's, (Euro)
--	157216	Manual, Operator's, (Scan)
--	<b>166294</b>	Manual, Repair Parts
Available accessories are not included with your tractor:		
--	C36	Rear Bagger
--	MK36	Mulcher Kit

### TIRES & WHEELS



KEY NO.	PART NO.	DESCRIPTION
1	59192	Cap, Valve
2	65139	Stem, Valve
3	278H	Fitting, Grease (Front Only)
4	137422	Tire, Front
	132703	Tire, Rear
5	59904	Tube, Tire, Front
		(Optional, Service Item Only)
	8134H	Tube, Tire, Rear
		(Optional, Service Item Only)
6	137237X427	Rim Assembly, Front
	140325X427	Rim Assembly, Rear
7	104757X	Cap, Axle
8	9040H	Bearing, Flange (Front Only)
9	121748X	Washer, Axle Cap
--	144334	Sealant, Tire (10 oz. Tube)

**NOTE:** All component dimensions given in U. S. inches  
1 inch = 25.4 mm

---

# SERVICE NOTES

---

