



REPAIR PARTS MANUAL

MODEL NO. WZ185H46A

Lawn Tractor

WIZARD

HOW TO USE THIS MANUAL

This manual is designed to provide the customer with a means to identify the parts on his/her tractor when ordering repair parts. The illustrations may or may not represent the actual assemblies; therefore, it is not recommended to use this manual as a guide to assemble or disassemble the tractor. Some hardware and parts are drawn larger in order to more readily identify them.

Each tractor has its own model number.

The model number for your tractor can be found on the fender under the seat.

When ordering parts, always give the following information:

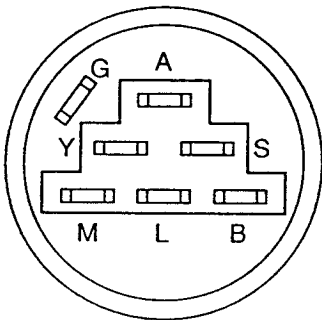
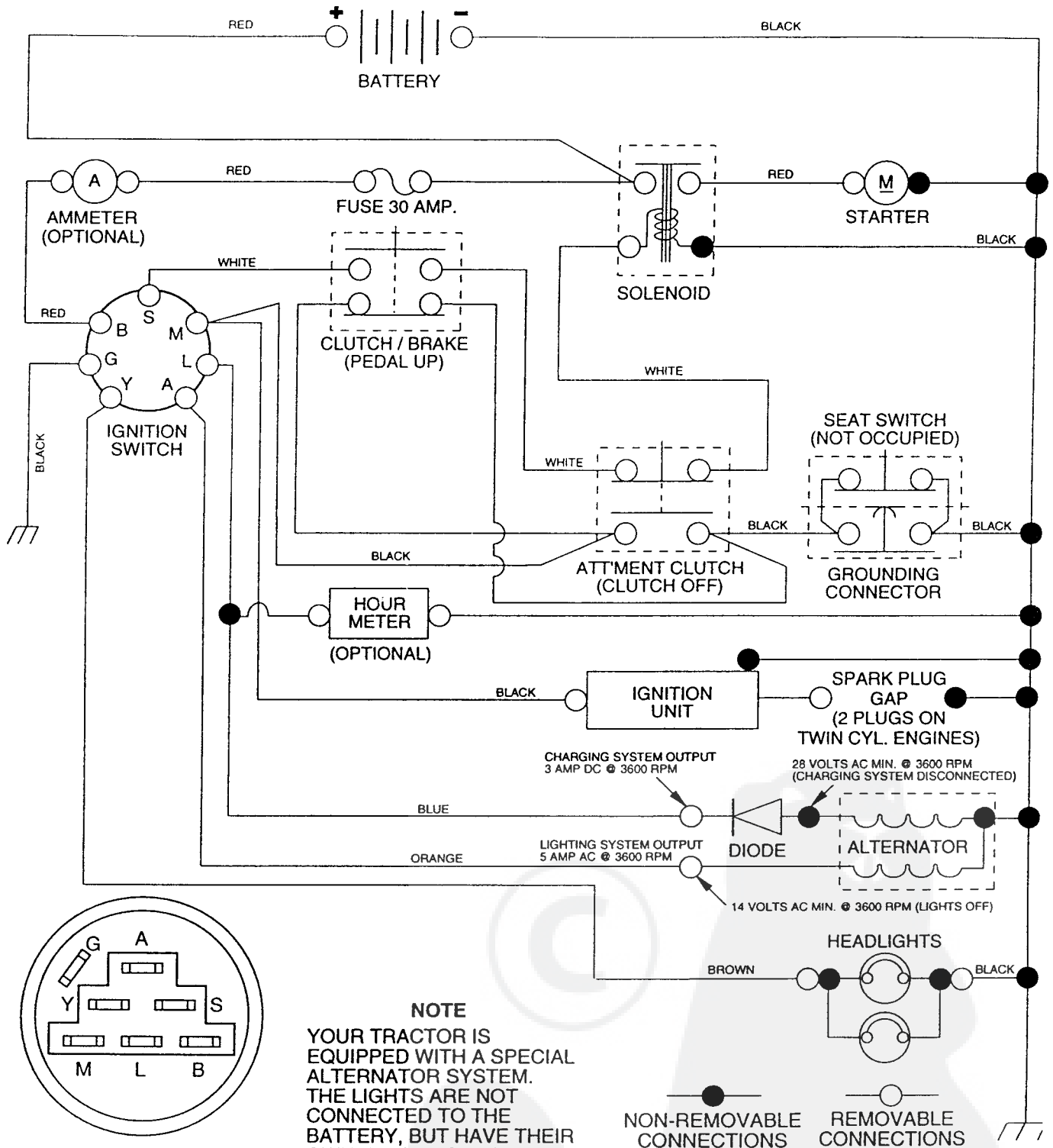
- Product - "Lawn Tractor"
- Model Number - "WZ185H46A"
- Part Number
- Part Description

TABLE OF CONTENTS

ELECTRICAL	4-5
CHASSIS	6-7
DRIVE	8-9
STEERING WHEEL	10-11
ENGINE	12-13
MOWER LIFT LEVER.....	14-15
MOWER DECK	16-17
SEAT	18
DECALS	19
TRANSAXLE	20

TRACTOR -- MODEL NUMBER WZ185H46A

SCHEMATIC



IGNITION SWITCH

POSITION	CIRCUIT	"MAKE"
OFF	G + M + L	NONE
RUN/LIGHT	B + L	A + Y
RUN	B + L	NONE
START	B + L + S	NONE

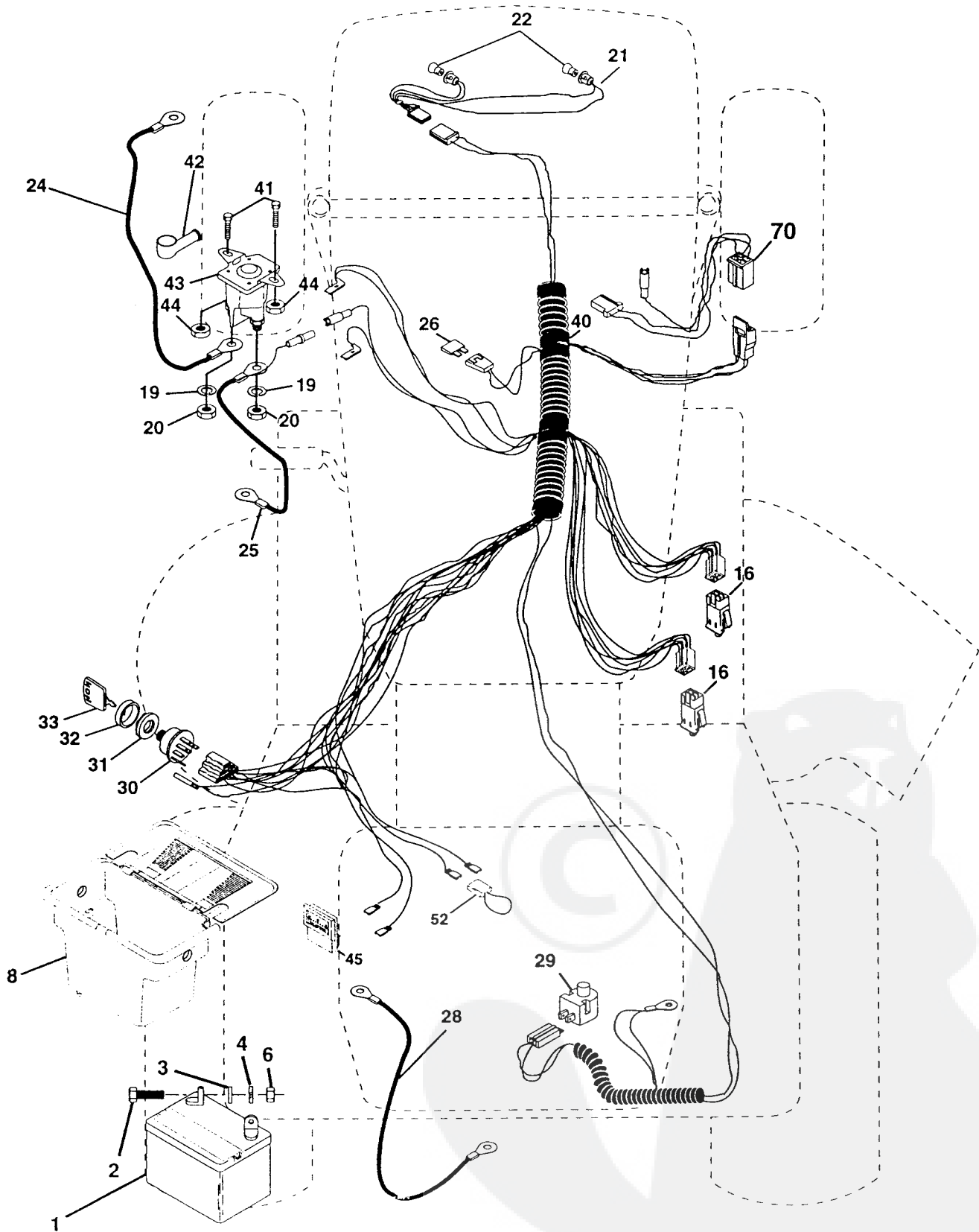
NOTE
 YOUR TRACTOR IS EQUIPPED WITH A SPECIAL ALTERNATOR SYSTEM. THE LIGHTS ARE NOT CONNECTED TO THE BATTERY, BUT HAVE THEIR OWN ELECTRICAL SOURCE. BECAUSE OF THIS, THE BRIGHTNESS OF THE LIGHTS WILL CHANGE WITH ENGINE SPEED. AT IDLE THE LIGHTS WILL DIM. AS THE ENGINE IS SPEEDED UP, THE LIGHTS WILL BECOME THEIR BRIGHTEST.

WIRING INSULATED CLIPS
NOTE: IF WIRING INSULATED CLIPS WERE REMOVED FOR SERVICING OF UNIT, THEY SHOULD BE REPLACED TO PROPERLY SECURE YOUR WIRING.

REPAIR PARTS

TRACTOR -- MODEL NUMBER WZ185H46A

ELECTRICAL



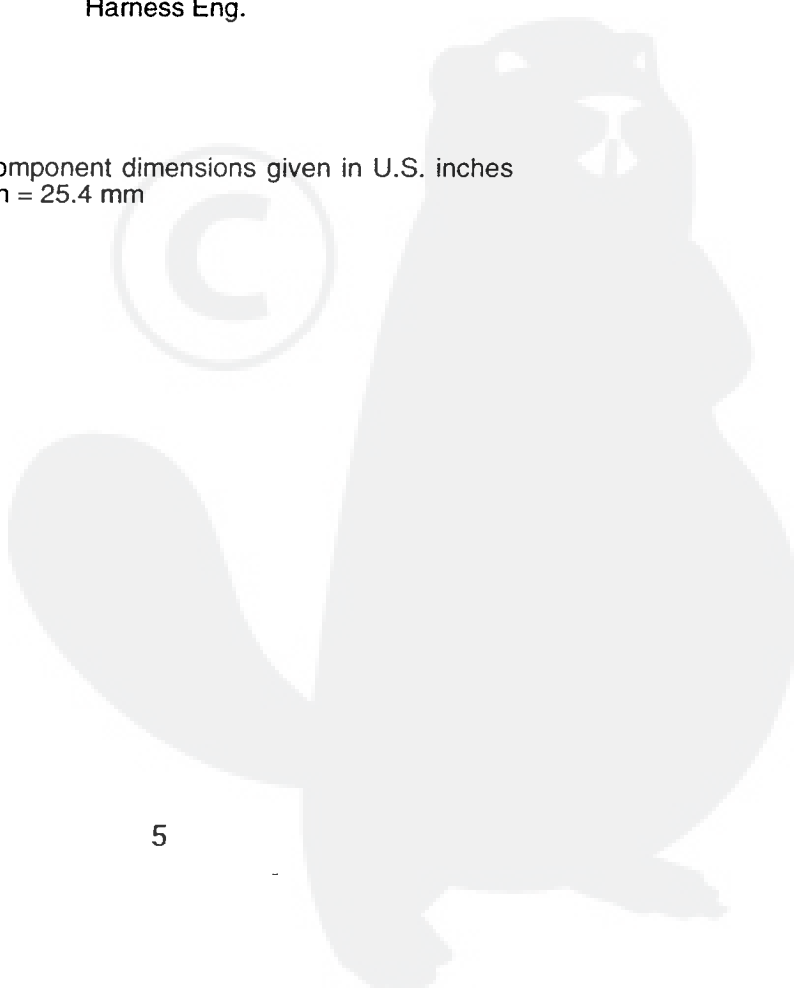
REPAIR PARTS

TRACTOR - - MODEL NUMBER WZ185H46A

ELECTRICAL

KEY NO.	PART NO.	DESCRIPTION
1	163465	Battery 12 Volt 28 Amp
2	74760412	Bolt Hex Hd 1/4-20unc X 3/4
3	19091016	Washer 9/32 X 5/8 X 16 Ga
4	10040400	Washer Lock Hvy Helical 1/4
6	73220400	Nut Fin Hex 1/4-20 Unc
8	156417	Case Battery
16	153664	Switch Interlock Push-In
19	10090400	Washer Lock 1/4
20	73350400	Nut Jam Hex 1/4-20 Unc
21	136850	Harness Socket Light W/4152J
22	4152J	Bulb, Light # 1156
24	4799J	Cable Battery 6 Ga 11" Red
25	146147	Cable Battery 6ga Red 44" W/16 wire
26	108824X	Fuse 30 Amp Auto Green
28	4207J	Cable Ground 6ga 12"black
29	121305X	Switch Plunger Nc Gray
30	140301	Switch Ign 4 Pos W/L P/L
31	124211X	Nut Ignition
32	141226	Cover Sw Key
33	122147X	Key Ign Molded Generic
40	156442	Harness ign
41	71110408	Bolt Fin Hex 1/4-20uncx1/2
42	131563	Cover Terminal Red
43	145673	Solenoid
44	73640400	Nut Keps Blk Hex 1/4-20 Unc
45	121433X	Ammeter Rectangular 6 Amp
52	141940	Protection Loop
70	140413	Harness Eng.

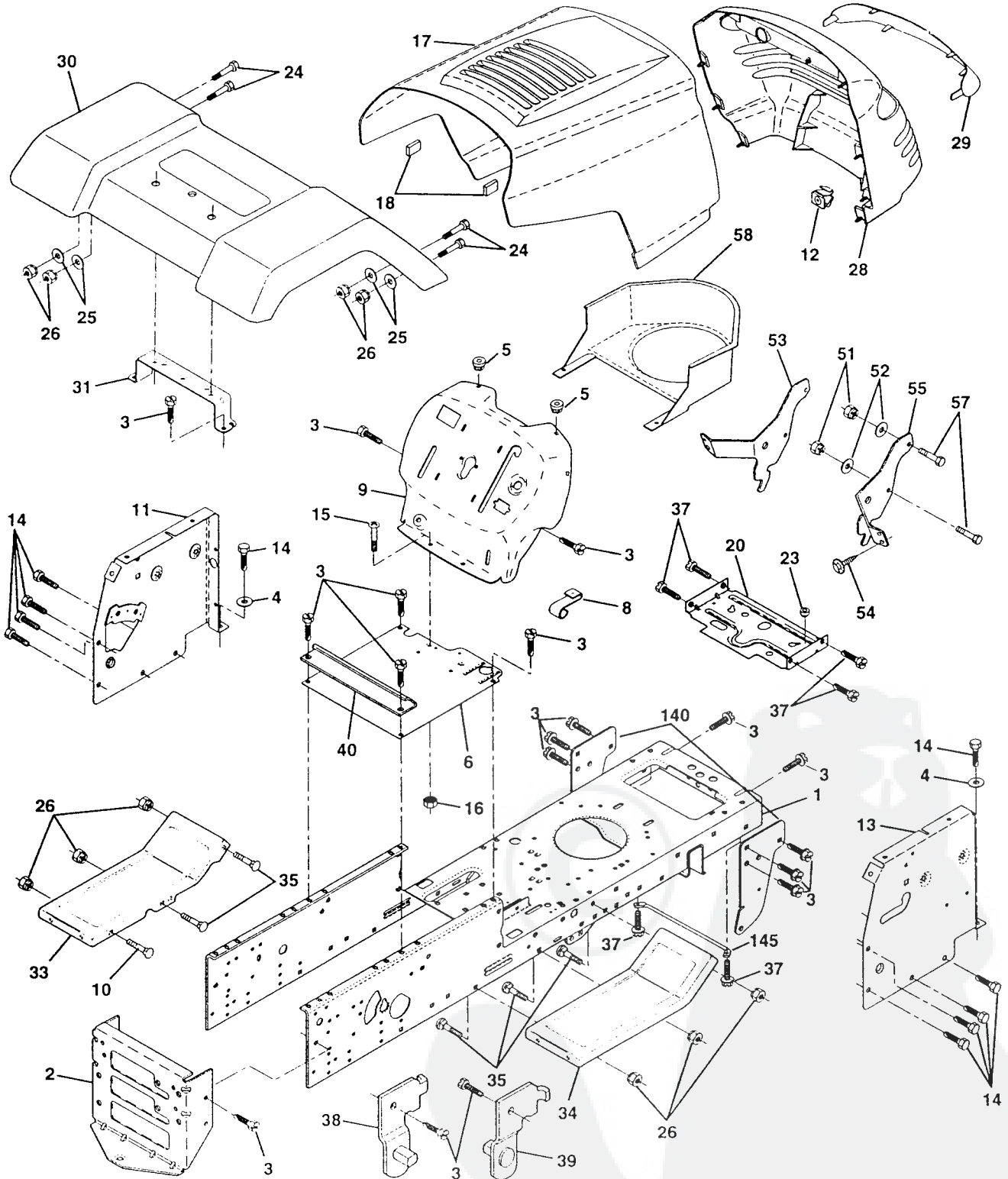
NOTE: All component dimensions given in U.S. inches
1 inch = 25.4 mm



REPAIR PARTS

TRACTOR -- MODEL NUMBER WZ185H46A

CHASSIS AND ENCLOSURES



REPAIR PARTS

TRACTOR - - MODEL NUMBER WZ185H46A

CHASSIS AND ENCLOSURES

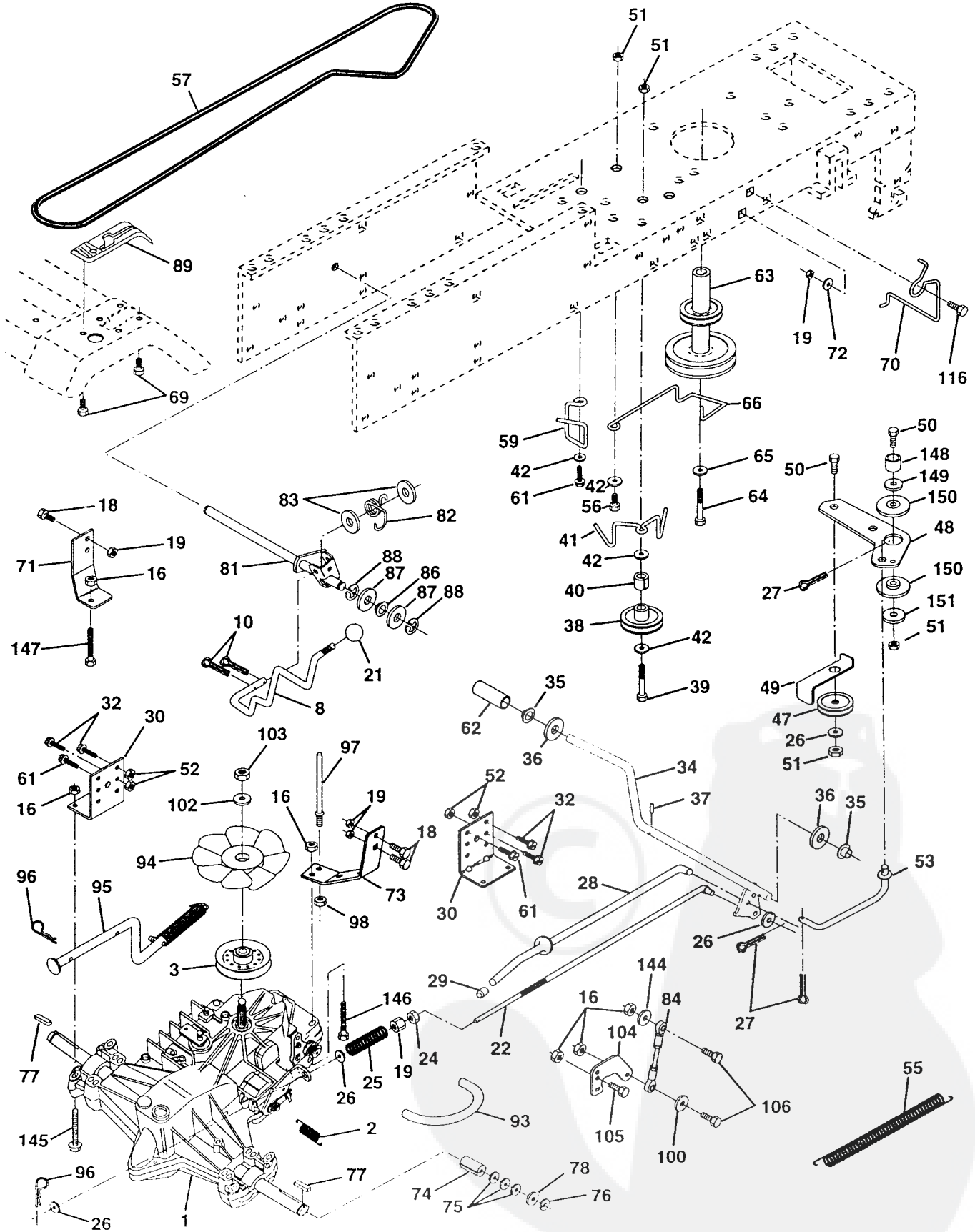
KEY NO.	PART NO.	DESCRIPTION
1	160393	Chassis Weldment
2	140356	Drawbar, Stretch
3	17490612	Screw Thdrol 3/8-16x3/4 Ty-tt
4	19131216	Washer 13/32 x 3/4 x 16 Ga.
5	155272	Bumper Hood/Dash
6	155923	Saddle LT Fender Shift
8	155138	Clip Retainer Slide-On
9	161938X012	Dash Private Label
10	72140608	Bolt Carriage 3/8-16 x 1
11	155927	Panel Pnt Dash Lh
12	145660	Clip Tinnerman Grille P/L
13	155934X010	Panel Dash Rh
14	17490608	Screw Thdrol 3/8-16x1/2 Ty-tt
15	74180512	Screw, Mach Trhd 5/16-18 UNC x 3/4
16	73510500	Nut Keps 5/16-18 UNC
17	159639X505	Hood Paint Steel Private Label
18	126938X	Bumper Hood
20	156437	Plate Mtg. Batter/Fuel Tank
23	124028X	Bushing Snap Nlk Blk Fuel Line
24	74780616	Bolt Fin Hex 3/8-16unc X 1 Gr. 5
25	19131312	Washer 13/32 X 13/16 X 12 Ga
26	73800600	Nut Lock Hex W/Ins 3/8-16 Unc
28	157373	Grille Private Label
29	140273	Lens Grille Private Label
30	162454X505	Fender Pnt
31	139976	Bracket Fender
33	145244X505	Footrest Pnt Lh
34	145243X505	Footrest Pnt Rh
35	72110606	Bolt Rdhd Sht Sqnk 3/8-16 X3/4
37	17490508	Screw Thdrol 5/16-18 x 1/2
38	139886	Bracket, Asm. Pivot, L.H., Mower Rear
39	139887	Bracket, Asm. Pivot, R.H., Mower Rear
40	139977	Spacer Fender Raised Lt
51	73800400	Nut Lock Hex W/Ins 1/4-20
52	19091416	Washer 9/32 x 7/8 x 16 Ga.
53	144697	Bracket, Grille, LH
54	161464	Screw Hex Wshd 8-18 x 7/8
55	144696	Bracket, Grille, RH
57	74780412	Bolt Hex 1/4-20 x 3/4
58	140547	Air Duct P/L
140	158418	Bracket Suspension Front
145	156524	Rod Pivot Chassis/Hood
--	5479J	Plug Button

NOTE: All component dimensions given in U.S. inches
1 inch = 25.4 mm

REPAIR PARTS

TRACTOR -- MODEL NUMBER WZ185H46A

DRIVE



REPAIR PARTS

TRACTOR - - MODEL NUMBER WZ185H46A

DRIVE

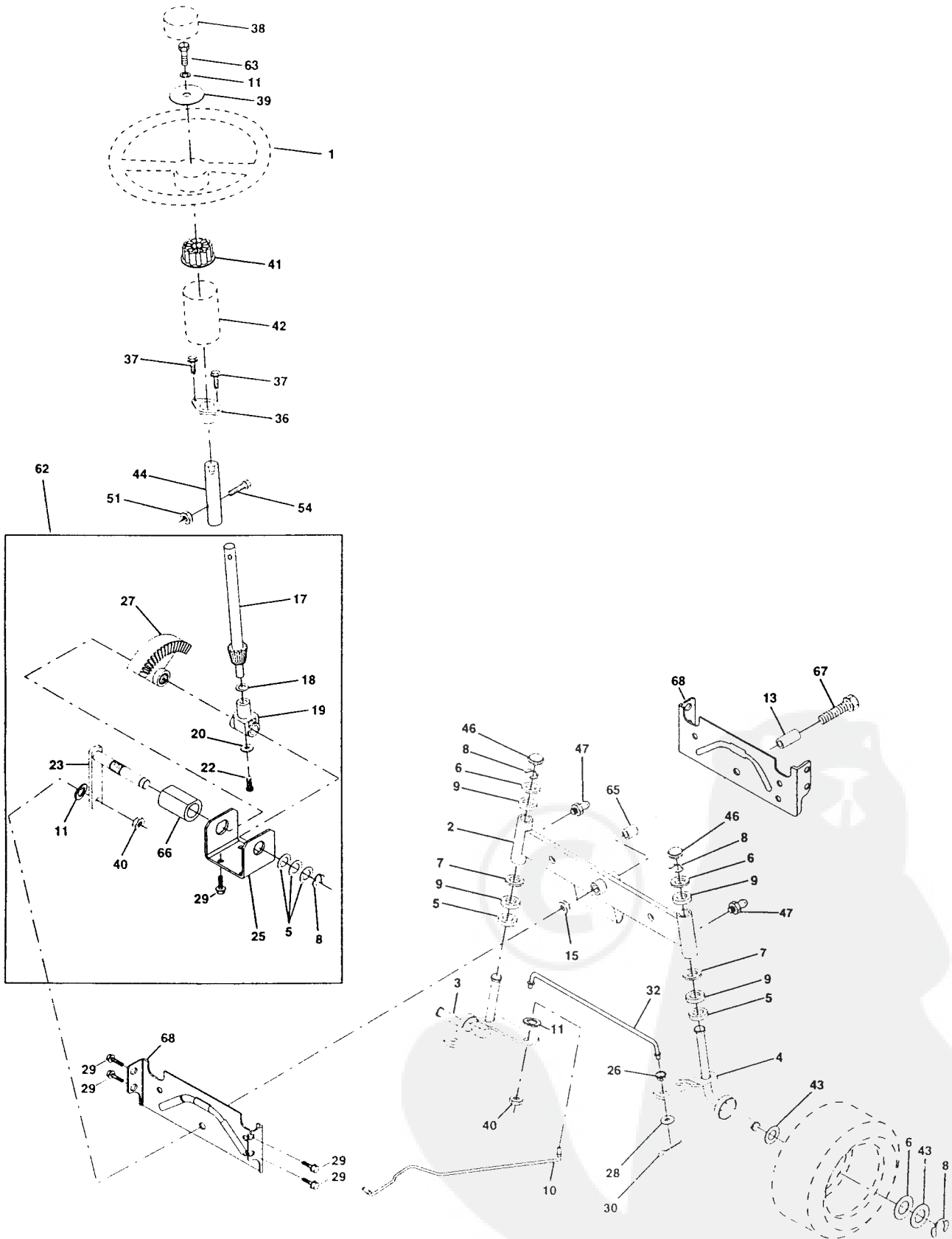
KEY NO.	PART NO.	DESCRIPTION	KEY NO.	PART NO.	DESCRIPTION
1	150071	Transaxle (See Breakdown)	64	71170764	Bolt, Hex
2	142431	Hydro Gear Model 310-0650	65	10040700	Washer
3	143995	Spring, Return, Brake	66	161488	Keeper Belt Engine
8	141003	Pulley, Transaxle	69	142432	Screw
10	76020416	Rod Shift Hydro LT	70	156470	Keeper Belt Engine
16	73800500	Pin Cotter 1/8 x 1 CAD	71	140158	Strap Torque Lh Hydro
18	74780616	Nut Lock Hex W/Ins 5/16-18 Unc P	72	19132012	Washer 13/32 x 1-1/4 x 12 Gauge
19	73800600	Bolt Fin Hex 3/8-16 Unc x 1 Gr. 5	73	156347	Strap Torque Rh Hydro
21	106933X	Nut Lock Hex W/Wsh 3/8-16 Unc	74	121199X	Spacer, Split
22	145627	Knob, Round 1/2-13	75	121749X	Washer 25/32 x 1-1/4 x 16 Gauge
24	73350600	Rod, Brake Hydro	76	12000001	E-Ring
25	106888X	Nut	77	123583X	Key, Square
26	19131316	Spring, Brake Rod	78	121748X	Washer 25/32 x 1-5/8 x 16 Gauge
27	76020412	Washer	81	161079	Shaft Asm. Cross Hydro
28	145204	Pin Cotter 1/8 x 3/4 CAD.	82	123782X	Spring Torsion T/A
29	71673	Rod, Parking Brake	83	19171216	Washer 17/32 x 3/4 x 16 Ga.
30	130807	Cap, Parking Brake	84	161901	Rod, Tie Hydro Sph Ball 750
32	74760512	Bracket, Transaxle	86	157480	Bushing
34	155071	Bolt Hex Hd 5/16-18 Unc x 3/4	87	19212016	Washer 21/32 x 1-1/4 x 16 Ga.
35	120183X	Shaft, Foot Pedal	88	12000008	Ring Klip #5304-62
36	19211616	Bearing, Nylon	89	151147	Console, Hydro
37	1572H	Washer	93	142564	Line Fuel Hydro 4"
38	123674X	Pin, Roll	94	140462	Fan, Hydro 7"
39	74760644	Pulley, Idler, Flat	95	144643	Control Asm Bypass Hydro
40	4470J	Bolt	96	4497H	Retainer Spring 1" Zinc/Cad
41	154777	Spacer, Split	97	140469	Keeper Belt Rh Hydro 0750. 18/20"
42	19131312	Keeper, Belt Idler	98	73510600	Nut Keps Hex 3/8-16 Unc
47	127783	Washer 13/32 x 13/16 x 12 Gauge	100	19111216	Washer 11/32 x 3/4 x 16 Ga.
48	154407	Pulley, Idler, V-Groove	102	141322	Washer Belleville .501D x 1.50D
49	123205X	Bellcrank Clutch Grnd Drv Stl	103	73940800	Nut, Hex, Jam Toplock 1/2-20 UNF
50	74760624	Retainer, Belt	104	140156	Arm, Control Hydro
51	73680600	Bolt	105	71070516	Screw Cap Hex 5/16 x 18 x 1
52	73680500	Nut Crownlock 3/8-16 UNC	106	74780520	Bolt Fin Hex 5/16-18 Unc x 1-1/4
53	105710X	Nut Crownlock 5/16-18 UNC	116	72110610	Bolt Rdhd Sq Neck 3/8-16 x 1.25
55	105709X	Link, Clutch	144	19111016	Washer 11/32 x 5/8 x 16 Ga.
56	74760620	Spring, Return, Clutch	145	74490540	Bolt, Hex Flghd 5/16-18 Gr. 5
57	161588	Bolt Fin Hex 3/8-16 UNC x 1-1/4	146	74490536	Bolt Hex Flghd 5/16-18 Unc x 2
59	140312	V-Belt, Ground Drive	147	74490524	Bolt Hex Flghd 5/16-18 Unc x 2
61	17490612	Keeper, Center Span	148	159103	Spacer
62	8883R	Screw Thdrol. 3/8-16 x 3/4 Ty. TT	149	122052X	Spacer Retainer PM Mower
63	161399	Cover, Pedal	150	150935	Bushing Nylon Collered
		Pulley, Engine	151	19133210	Washer 13/32 x 2 x 10 Ga.

NOTE: All component dimensions given in U.S. inches
1 inch = 25.4 mm

REPAIR PARTS

TRACTOR - - MODEL NUMBER WZ185H46A

STEERING ASSEMBLY



REPAIR PARTS

TRACTOR - - MODEL NUMBER WZ185H46A

STEERING ASSEMBLY

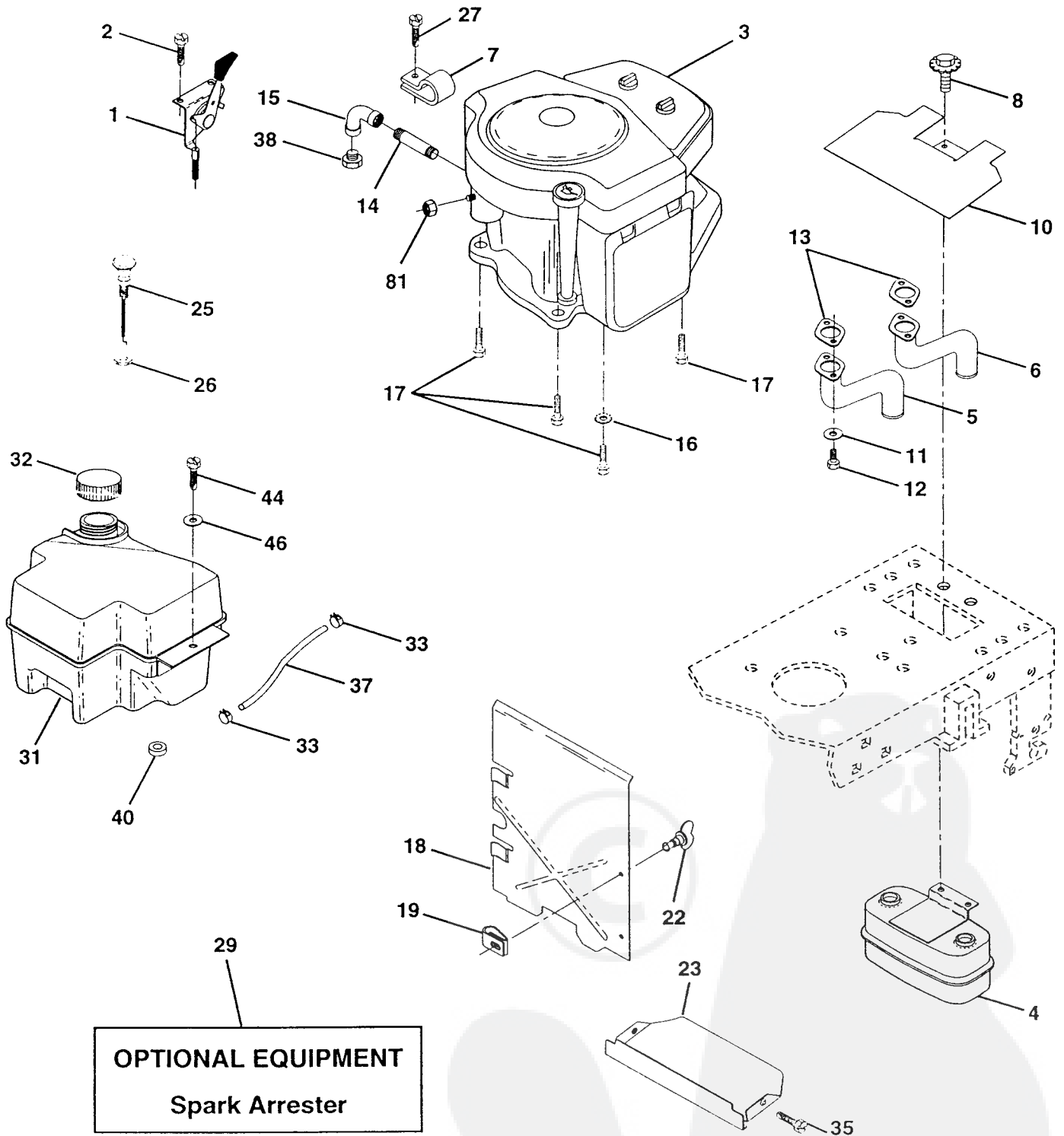
KEY NO.	PART NO.	DESCRIPTION
1	133741	Wheel Steering Blk
2	154427	Axle Asm Fr LT W/gzks 38/42
3	156483	Spindle Asm LH
4	157473	Spindle Asm RH
5	6266H	Bearing Race Thrust Harden
6	121748X	Washer 25/32 X 1-5/8 X 16 Ga
7	19272016	Washer 27/32 X 1-1/4 X 16 Ga
8	12000029	Ring Klip #t5304-75
9	3366R	Bearing Col Strg Blk
10	156438	Link Drag Extended Stamped
11	10040600	Washer Lock Hvy Hlcl Spr 3/8
13	154779	Bearing Axle
15	73901000	Nut Lock Flange 5/8-11 Unc
17	156546	Shaft Asm Strg Private Label
18	57079	Washer Thrust 515x 750x 033
19	124035X	Support Shaft
20	126684X	Washer Shim 1/4 X 5/8 X 062
22	71200410	Screw Hex Socket 1/4-20 x 5/8
23	127501	Shaft Asm Pittman
25	154406	Bracket Steering
26	126847X	Bushing Link Drag Blk LR
27	136874	Gear Sector
28	19131416	Washer 13/32 X 7/8 X 16 Ga
29	17490612	Screw Thdrol 3/8-16x3/4 Ty-tt
30	76020412	Pin Cotter 1/8 X 3/4 Cad
32	130465	Rod Tie Wire Form 19 75 Mech
36	155099	Bushing Strg
37	152927	ScrewTT #10-32 X 5 X 3/8 Flange
38	133742	Cap Strg Wh
39	19133808	Washer 13/32 X 2-3/8 X 8 Ga
40	7810H	Nut Lock Center 3/8-24unf
41	100711L	Adaptor Wheel Strg 758/753 ID
42	145054	Boot Steering
43	121749X	Washer 25/32 X 1 1/4 X 16 Ga
44	153720	Shaft Extention Steering
46	121232X	Cap Spindle Fr Top Blk
47	6855M	Fitting Grease
51	73800500	Nut Lock Hex w/Ins 5/16-18
54	74780520	Bolt Fin Hex 5/16-18 Unc x 1-1/4
62	156594	Kit, Steering Assembly, Service
63	74780616	Bolt Fin Hex 3/8-16 x 1 Gr. 5
65	154780	Spacer Axle
66	154404	Bearing Arm Pittman
67	74781044	Bolt Fin Hex 5/8-11 UNC x 2-3/4
68	154429	Brace Axle

NOTE: All component dimensions given in U.S. inches.
1 inch = 25.4 mm.

REPAIR PARTS

TRACTOR - - MODEL NUMBER WZ185H46A

ENGINE



REPAIR PARTS

TRACTOR - - MODEL NUMBER WZ185H46A

ENGINE

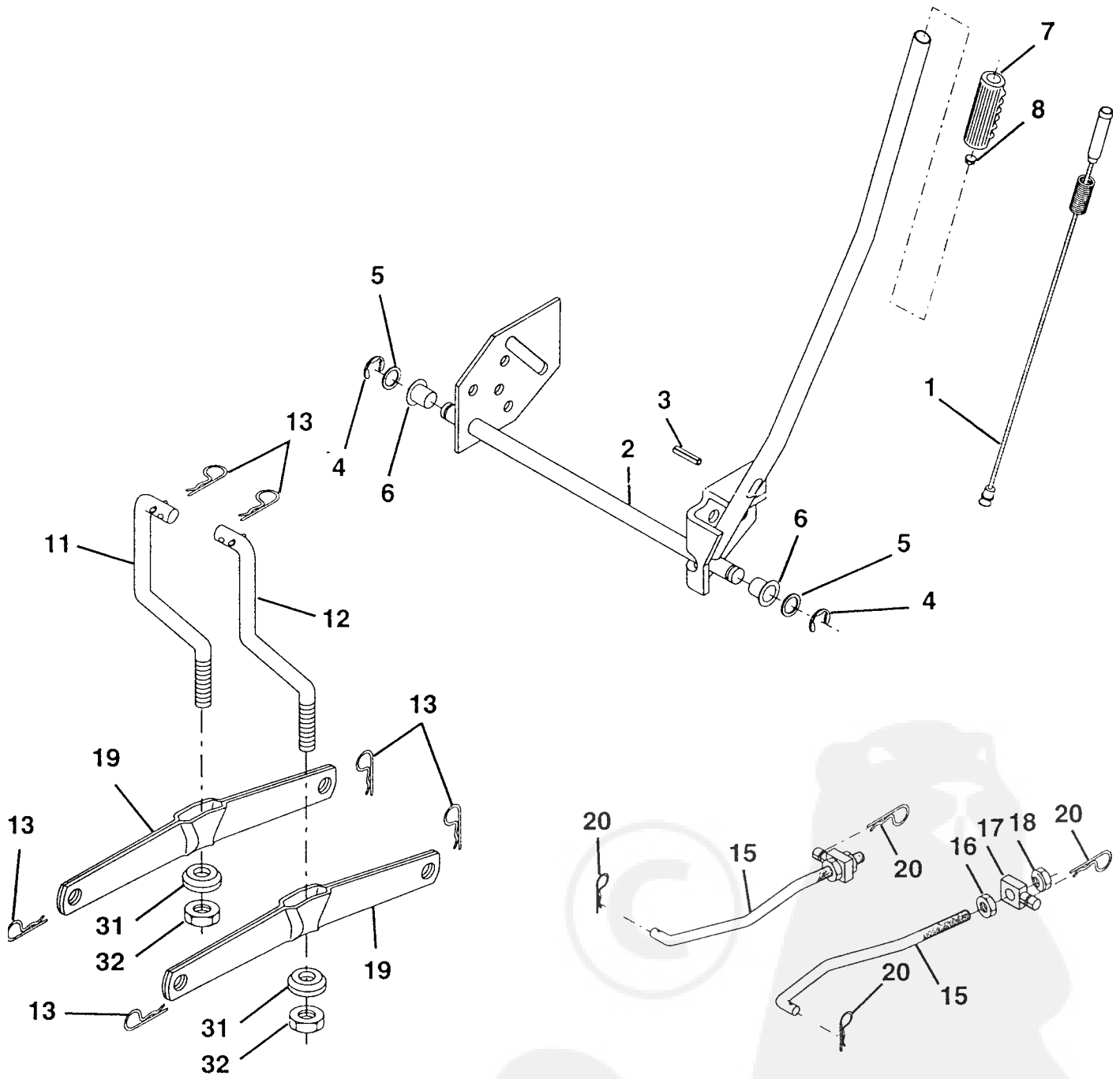
KEY NO.	PART NO.	DESCRIPTION
1	141295	Control Throttle 29.97 LH Flag
2	17720410	Screw Hex Thd Cut 1/4-20x5/8 T
3	-----	Engine Briggs 42D707
4	149723	Muffler Asm. Twin Lo-Tone
5	144069	Exhaust Asm LH B&S 18 HP Vert
6	144068	Exhaust Asm RH B&S 18 HP Vert
7	138129	Clamp Tube Double Engine
8	150176	Bolt 5/16-18 UNC x 3/4 w/Sems
10	145552	Shield Heat
11	10040400	Washer Lock Hvy Helical 1/4
12	74780412	Bolt Fin Hex 1/4-20 UNC x .75
13	272250	Gasket Muffler
14	13280336	Nipple Pipe 3/8 Npt X 4-1/2"
15	13200300	Elbow Std 90 Degree 3/8-18 Npt
16	11050600	Washer Lock Ext Tooth 3/8
17	17490624	Screw Thdrol 3/8-16x1-1/2 TYTT
18	137358	Shield Heat Vert GT/Slope
19	105839X	Receptical 1/4 Turn
22	149723	Stud 1/4 Turn w/Bushing Plst
23	159880	Shield Browning/Debris Guard
25	145996	Control Choke 37"
26	73920600	Nut Keps 3/8-24 UNf
27	152927	Screw
29	137180	Kit Spark Arrestor (Flat Scrm)
31	161911	Tank Fuel Front 2.00 Gal
32	140527	Cap Asm Fuel
33	123487X	Clamp Hose Blk
35	17490512	Screw Thdrol 5/16-18 x 3/4 TYT
37	137040	Line Fuel
38	-----	Plug Oil Drain (Order From Engine Manufacturer)
40	124028X	Bushing Snap Nyl Blk Fuel Line
44	17490412	Screw Hexwsh Thdrol 1/4-20x3/4
46	19091416	Washer 9/32 X 7/8 X 16 Ga
81	128861	Nut Flange 1/4-20 Starter Nut

NOTE: All component dimensions given in U.S. inches.
1 inch = 25.4 mm.

REPAIR PARTS

TRACTOR -- MODEL NUMBER WZ185H46A

LIFT



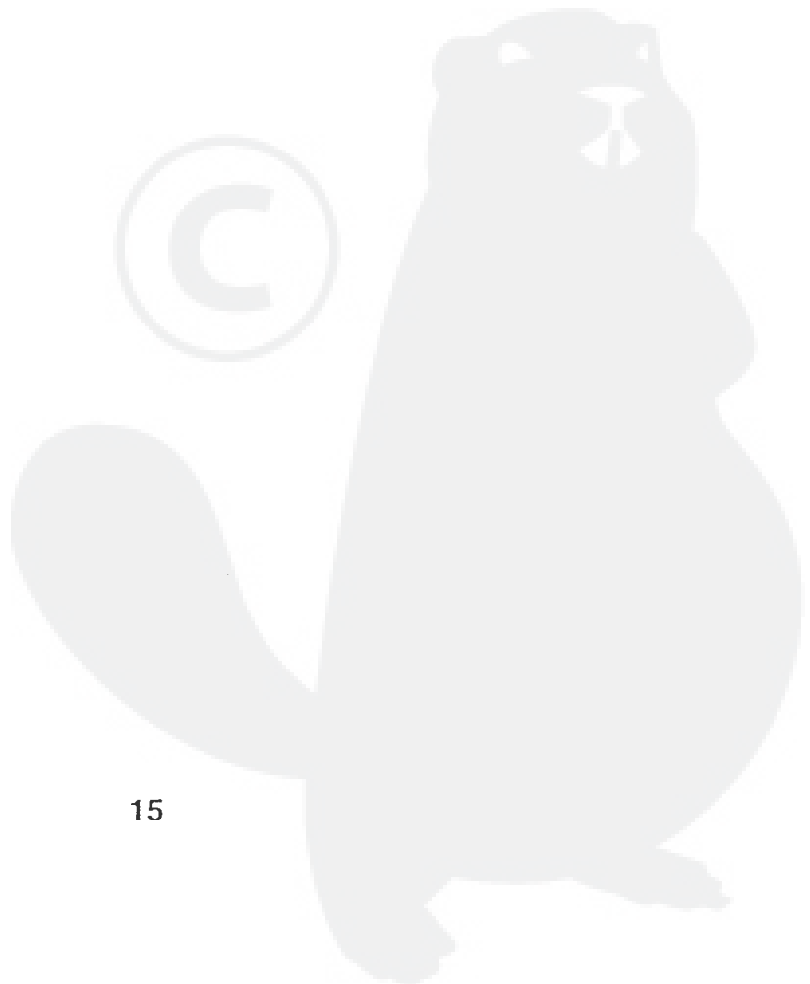
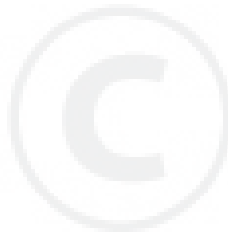
REPAIR PARTS

TRACTOR - - MODEL NUMBER WZ185H46A

LIFT

KEY NO.	PART NO.	DESCRIPTION
1	159460	Wire Asm Inner/Sprg w/plunger
2	159471	Shaft Asm Lift
3	105767X	Pin Groove
4	12000002	E Ring #5133-62
5	19211621	Washer 21/32 X 1 x 21 Ga
6	120183X	Bearing Nylon
7	109413X	Grip Handle
8	124526X	Button Plunger
11	139865	Link Lift LH
12	139866	Link Lift RH
13	4939M	Retainer Spring
15	127218	Link Front
16	73350800	Nut Jam Hex 1/2-13 Unc
17	130171	Trunnion Blk Zinc
18	73680800	Nut Crownlock 1/2-13 Unc
19	139868	Arm Suspension Rear
20	3146R	Retainer Spring
31	140302	Bearing Pvt. Lift Spherical
32	73540600	Nut Crownlock 3/8-24

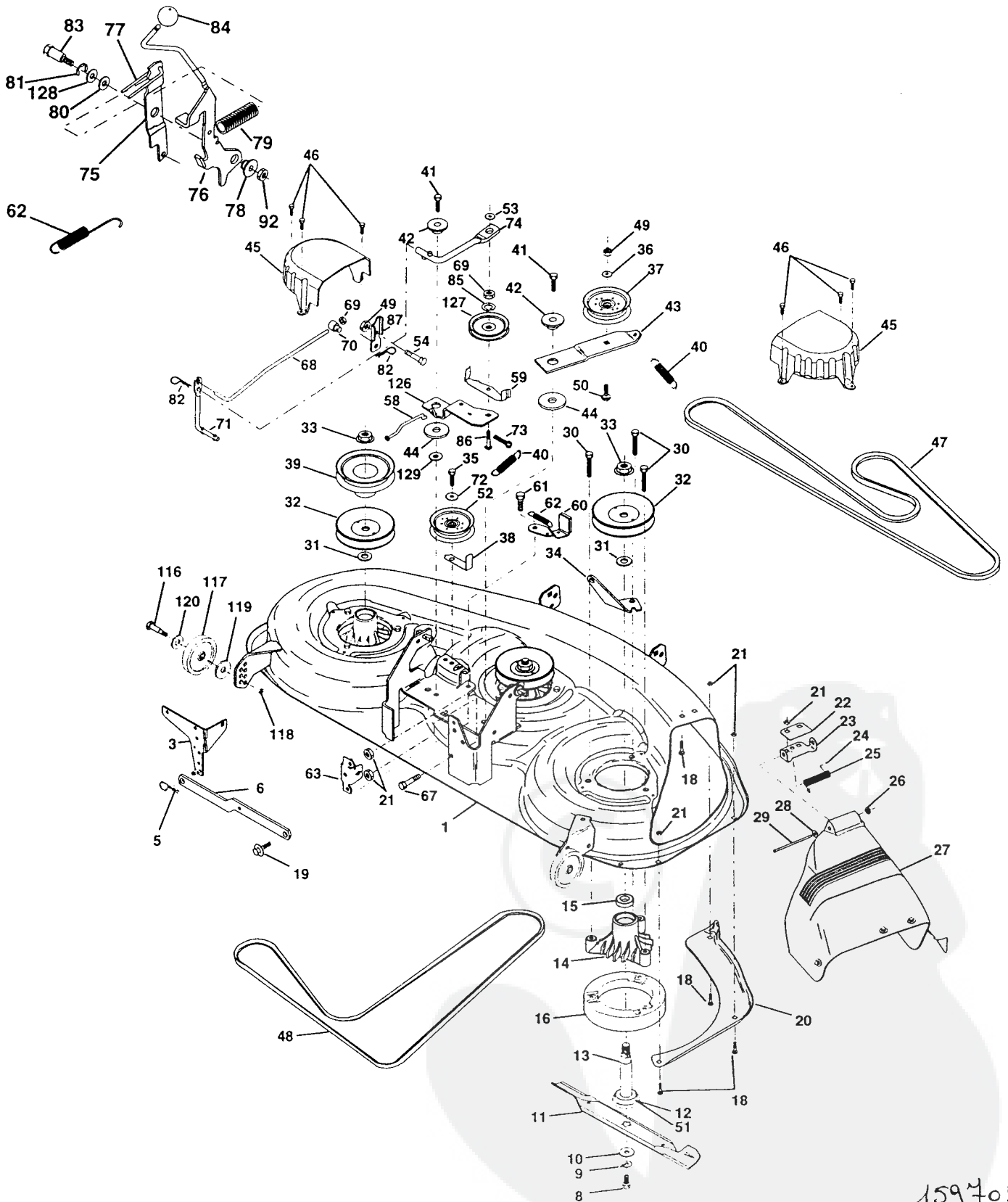
NOTE: All component dimensions given in U.S. inches
1 inch = 25.4 mm



REPAIR PARTS

TRACTOR -- MODEL NUMBER WZ185H46A

MOWER DECK



16



11 - Hilp.

Mulching 152443.

159705

REPAIR PARTS

TRACTOR - - MODEL NUMBER WZ185H46A

MOWER DECK

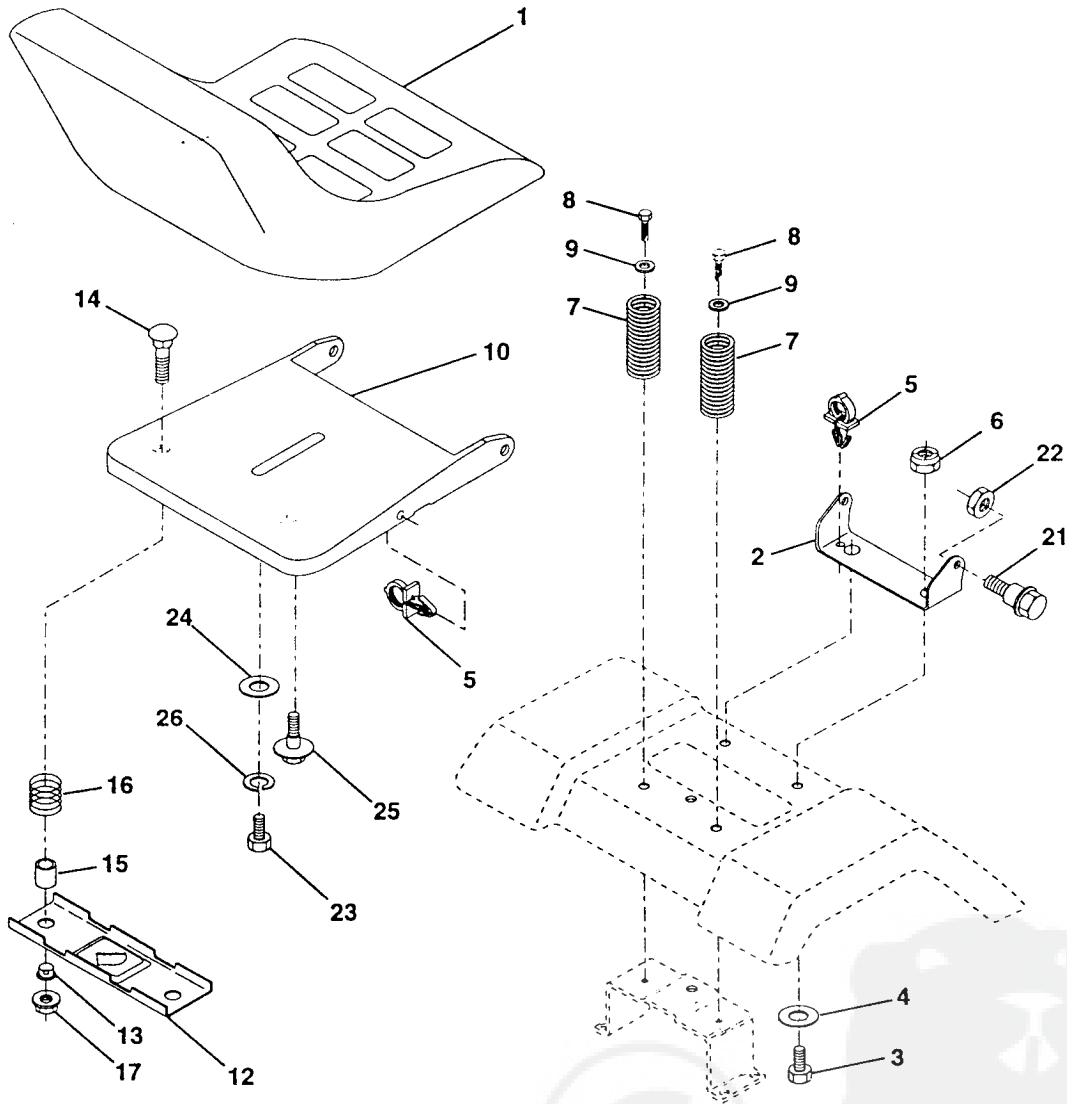
KEY NO.	PART NO.	DESCRIPTION	KEY NO.	PART NO.	DESCRIPTION
1	156948	Deck Asm., Mower 46"	51	153390	Washer, Felt
3	138457	Bracket Asm., Sway Bar	52	156493	Pulley, Idler, Flat, 46 Pri. Drive
5	4939M	Retainer Spring	53	19131312	Washer, 13/32 x 13/16 x 12 Ga.
6	130832	Arm, Suspension, Rear (Sway Bar)	54	74780616	Bolt, Fin. Hex 3/8-16 x 1 Gr. 5
8	850857	Bolt, Patched 3/8-24 x 1-1/4 Gr. 8	58	156488	Link, Brake 46" Mech
9	10030600	Washer, Lock Hvy., Unplated 3/8	59	157034	Guide, Belt 46" Mower
10	140296	Washer, Hard Blade, Mower Vented	60	156722	Arm Asm. Brake 46"
11*	157033*	Blade, 46" Mower Deck <i>ワザナシ</i>	61	139888	Bolt, Shoulder 5/16-18 Type TT
12	129895	Bearing, Ball, Mandrel #6204	62	131870	Spring Return
13	137553	Shaft Asm. w/Lower Bearing (Includes Key No. 12)	63	156473	Bracket, Clutch Rod Pivot
14	137152	Housing, Mandrel	67	74760512	Bolt, Hex Head 5/16-18 x 3/4
15	110485X	Bearing, Ball, Mandrel	68	156487	Rod, Clutch
16	140329	Stripper, Mower Round	69	73350600	Nut, Hex Jam 3/8-16 Unc
18	72140505	Bolt, Carriage 5/16-18 x 5/8	70	142028	Trunnion, Adj. 94
19	132827	Bolt, Hex Head, Shoulder 5/16-18	71	133551	Rod, Pivot with Nibs
20	145055	Baffle, Vortex Mower 46"	72	19131316	Washer 13/32 x 13/16 x 16 Ga.
21	73680500	Nut, Crownlock 5/16-18 UNC	73	76020412	Pin, Cotter 1/8 x 3/4
22	134753	Stiffener, Bracket	74	156474	Link, Clutch 46" Mech.
23	131267	Bracket, Deflector	75	127847	Arm, Clutch Secondary
24	105304X	Cap, Sleeve	76	160570	Lever, Asm. Clutch Primary
25	149287	Spring, Torsion, Deflector	77	127845	Keeper, Spring
26	110452X	Nut, Push	78	127498	Bushing, .747 OD. x .794 ID.
27	157788	Shield, Deflector Mower	79	153701	Spring, Mower Clutch
28	19111016	Washer 11/32 x 5/8 x 16 Ga.	80	121748X	Washer 25/32 x 1-5/8 x 16 Ga.
29	131491	Rod, Hinge	81	12000029	Ring, Clip
31	129963	Washer, Spacer Mower Vented	82	4497H	Retainer Spring 1"
30	157722	Screw Thd Rolling Washer Head	83	129803	Bolt, Shoulder 3/8-16 Unc
32	153531	Pulley, Mandrel	84	162132	Nob
33	137266	Nut, Fig. Top Lock Cntr. 9/16	85	10040600	Washer, Lock Hvy Hlcl Spr 3/8
34	144945	Anchor, Spring Deck 46"	86	158565	Bolt, Carriage SH38-16 x 2.0 Gr. 5
35	17490628	Screw, Thdroll 3/8-16 x 1-3/4 Tytt	87	158373	Bracket, Extension
36	19131316	Washer 13/32 x 13/16 x 16 Ga.	92	73800600	Locknut, Hex, w/Insert 3/8-16 UNC
37	131494	Pulley, Idler, Flat	116	4898H	Bolt, Shoulder
38	156086	Keeper, Belt, Idler	117	105455X	Gauge Wheel
39	144917	Pulley, Idler, Driven	118	73930600	Nut, Centerlock 3/8-16 UNC
40	137273	Spring, Secondary 44/46/50 Vent	119	19121414	Washer 3/8 x 7/8 x 14 Ga.
41	17490620	Screw, Thdroll 3/8-16 x 1-1/4 Tytt	120	19171512	Washer 17/32 x 15/16 x 12 Ga.
42	122052X	Spacer, Retainer	126	156472	Arm, Idler, Deck 46" Mech.
43	144949	Arm, Idler Secondary	127	146763	Pulley, Idler, V-Groove Dim. 4.25
44	133943	Washer, Hardened	128	6266H	Washer Thrust .75 x 1.230
45	145059	Cover, Mandrel Deck	129	19133808	Washer 13/32 x 2-3/8 x 8 Ga.
46	137729	Screw, Thdroll. 1/4-20 x 5/8	---	157162	Deck Complete (Std. Deck-Order separately mulcher plate and gauge wheel components Key Nos. 101-106 and 116-118)
47	144959	V-Belt, Mower, Secondary	---	143651	Mandrel Assm. Service
48	158818	V-Belt, Mower, Primary			
49	73680600	Nut, Crownlock 3/8-16 UNC			
50	72110612	Bolt, Carriage 3/8-16 x 1-1/2 Gr. 5			

NOTE: All component dimensions given in U.S. inches
1 inch = 25.4 mm

REPAIR PARTS

TRACTOR - - MODEL NUMBER WZ185H46A

SEAT ASSEMBLY



KEY NO.	PART NO.	DESCRIPTION
1	127429X	Seat
2	140551	Bracket Pivot Seat
3	74760616	Bolt Hex 3/8 - 16 X 1
4	19131610	Washer 13/32 X 1"
5	145006	Clip Push-In
6	73800600	Locknut, Hex W/Ins 3/8 - 16 Unc
7	124181X	Spring Seat Cprsn 2 250 Blk Zi
8	17490616	Screw Thdrol 3/8-16 X 1 Ty-tt
9	19131614	Washer 13/32 X 1 X 14 Ga
10	155925	Pan Seat
12	121246X	Bracket Mounting Switch
13	121248X	Bushing Snap Blk Nyl 50 Id

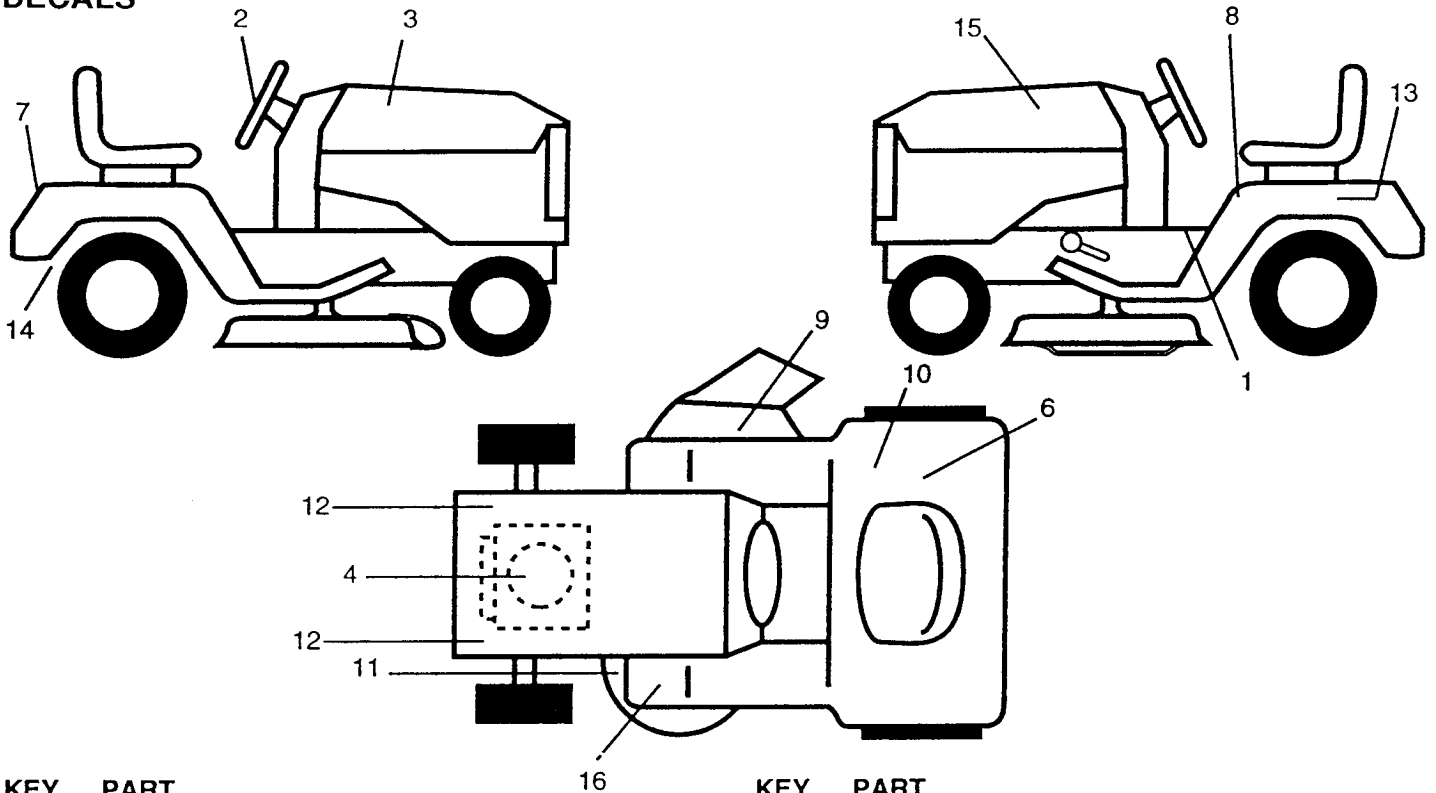
KEY NO.	PART NO.	DESCRIPTION
14	72050412	Bolt Rdhd Sht Nk 1/4-20x1-1/2
15	121249X	Spacer Split
16	123740X	Spring Cprsn
17	123976X	Nut Lock 1/4 Lge Flg Gr 5 Zinc
21	153236	Bolt Shoulder 5/16-18 UNC-2A
22	73800500	Locknut, Crown 5/16-18 UNC
23	74780814	Bolt Fin Hex 1/2-13 X 7/8 Gr 5
24	19171912	Washer 17/32 X 1-3/16 X 12 Ga
25	127018X	Bolt Shoulder 5/16-18 X 62
26	10040800	Washer Lock Hvy Hlcl Spr 1/2

NOTE: All component dimensions given in U.S. inches
1 inch = 25.4 mm

REPAIR PARTS

TRACTOR - - MODEL NUMBER WZ185H46A

DECALS



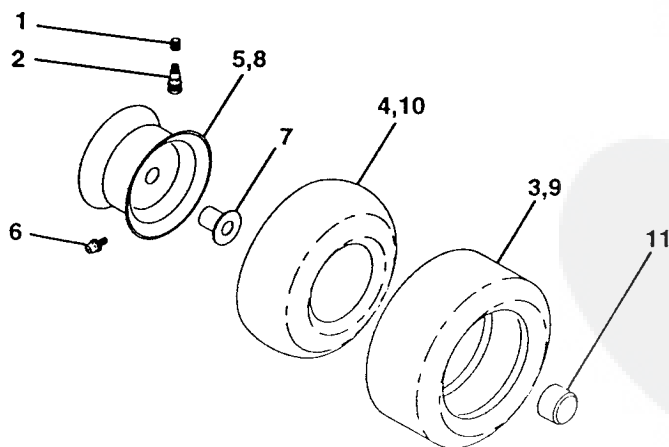
KEY NO.	PART NO.	DESCRIPTION
1	140837	Decal Saddle Brake Parking
2	163770	Decal Steering Wheel Insert
3	163832	Decal Hood RH
4	273063	Decal Hp Engine
6	125690X	Decal 100 DBA
7	163769	Decal Fender
8	145498	Decal Read Owner's Manual Syms
9	145494	Decal Mower Cut Finger Symbol
10	145437	Decal Europe Stand CE
11	139346	Decal V-Belt Sch
12	159736	Decal Chassis Hot Muffler
13	145005	Decal Bat Dan/Poi P/L Sym WPN
14	142341	Decal Drawbar Cntrl MVT Hyd LT

KEY NO.	PART NO.	DESCRIPTION
15	163833	Decal Hood LH
16	159737	Decal Brake?Clutch Symbol Lt
--	133671	Pad Footrest
--	138311	Decal Handle Lft Height Adjust
--	162598	Decal Drawer Load Limit
--	163529	Manual Operators (European)
--	163530	Manual Repair Parts

Available accessories not included with tractor:

--	CL46	3 Bin Bagger
--	MK46	Mulching Kit

WHEELS AND TIRES



KEY NO.	PART NO.	DESCRIPTION
1	59192	Cap Valve Tire
2	65139	Stem Valve
3	106222X	Tire F Ts 15 X 6 0 - 6 Service
4	59904	Tube Front (Service Item Only)
5	106732X427	Rim Asm 6" front White Service
6	278H	Fitting Grease (Front Wheel Only)
7	9040H	Bearing Flange (Front Wheel Only)
8	106108X427	Rim Asm 8" rear White Service
9	122082X	Tire R Ts 20 x 10 - 8 C Service
10	7152J	Tube Rear (Service Item Only)
11	104757X	Cap Axle Blk 1 50 X 1 00
--	144334	Sealant, Tire (10 oz. Tube)

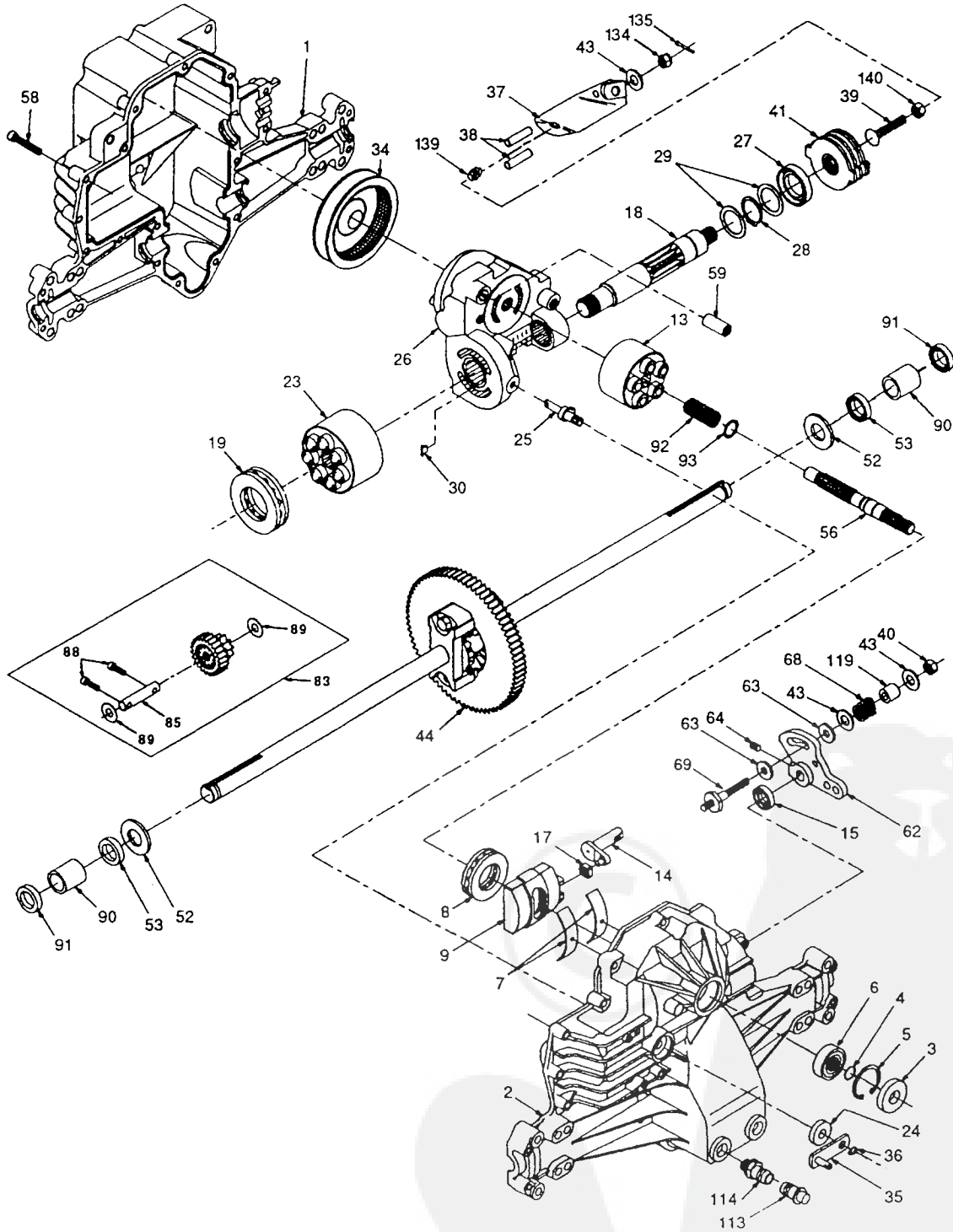
NOTE: All component dimensions given in U.S. inches
1 inch = 25.4 mm

REPAIR PARTS

TRACTOR -- MODEL NUMBER WZ185H46A

TRANSAXLE HYDRO GEAR - MODEL NUMBER 310-0650

TRANSAXLE



REPAIR PARTS

TRACTOR -- MODEL NUMBER WZ185H46A

TRANSAXLE HYDRO GEAR - MODEL NUMBER 310-0650

TRANSAXLE

KEY PART NO. NO.	DESCRIPTION	KEY PART NO. NO.	DESCRIPTION
1 142930	Housing, Lower	43 142884	Washer 7/16 x 7/8 x .060
2 142931	Assembly, Upper Housing	44 150829	Differential Assembly
3 142932	Seal, Lip	52 142991	Washer 3/4 x 1.5 x .13
4 142928	Ring, Wire Retaining	53 142961	Seal .75 x 1.25 x .250
5 142933	Ring, Retaining	56 142963	Shaft, Input
6 142934	Bearing, Shaft Ball	58 142964	Bolt 1/4-20 x 1.38
7 142935	Bearing, Cradle	59 142965	Pin .5 OD x .43 ID x .750
8 150771	Bearing, Thrust 30 x 52 x 13	62 142966	Arm, Control
9 142937	Swashplate, Variable	63 142967	Puck, Dampener
13 142938	Block, Cylinder Assembly	64 142920	Set Screw
14 142939	Arm, Trunnion	68 142969	Spring
15 142940	Seal, Lip	69 144610	Stud 5/16-24
17 142941	Guide, Slot	83 142971	Jackshaft Assembly
18 150772	Shaft, Motor	85 150806	Jackshaft
19 150773	Bearing, Thrust 42 x 68 x 16	88 142973	Screw, Cap
23 142944	Block, Cylinder Assembly	89 142974	Washer 7/16 x 1 x 1/2
24 142945	Seal, Lip 10 x 25 x 7	90 142975	Sleeve Bearing
25 142946	Actuator, Bypass	91 142976	Seal, Wiper
26 150774	Center Section Assembly Kit	92 142977	Spring, Block
27 142948	Seal, Lip 26 x 42 x 8	93 142978	Washer, Block Thrust
28 142949	Ring, Retaining	113 142917	Cap, Vent Assembly
29 142950	Washer 26 x 35 x 1	114 142918	Fitting, O-Ring Assembly
30 150787	Plate, Bypass	119 142980	Spacer
34 142951	Oil Filter Element	134 144607	Nut, Castle 5/16-24
35 142952	Arm, Bypass	135 144608	Pin, Cotter
36 142953	Ring, Retaining	139 150775	Spring, Compression
37 142954	Arm, Actuating	140 150776	Nut, Hex 5/16-24
38 142955	Pin, Actuating		
39 150777	Bolt 5/16-24 x 1-3/4		
40 150778	Locknut, Hex 5/16-24 UNJC		
41 142958	Brake Rotor/Stator Kit		

NOTE: All component dimensions given in U.S. inches
1 inch = 25.4 mm

