

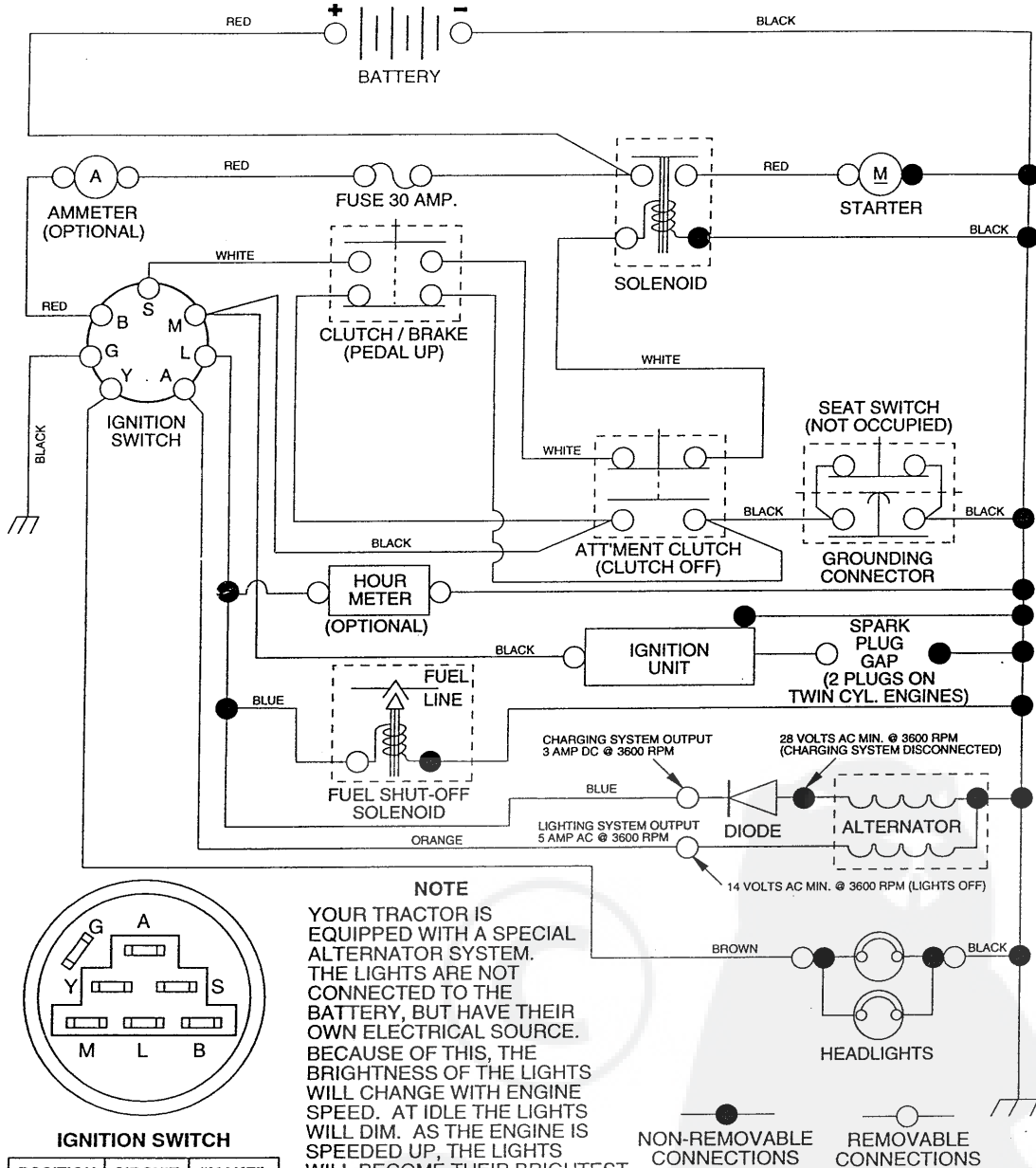
**ASSEMBLY/REPAIR
PARTS MANUAL
MODEL NO. WZ14542A
Lawn Tractor**

WIZARD

163434 12.12.97 RD
PRINTED IN U.S.A.

TRACTOR - - MODEL NUMBER WZ14542A

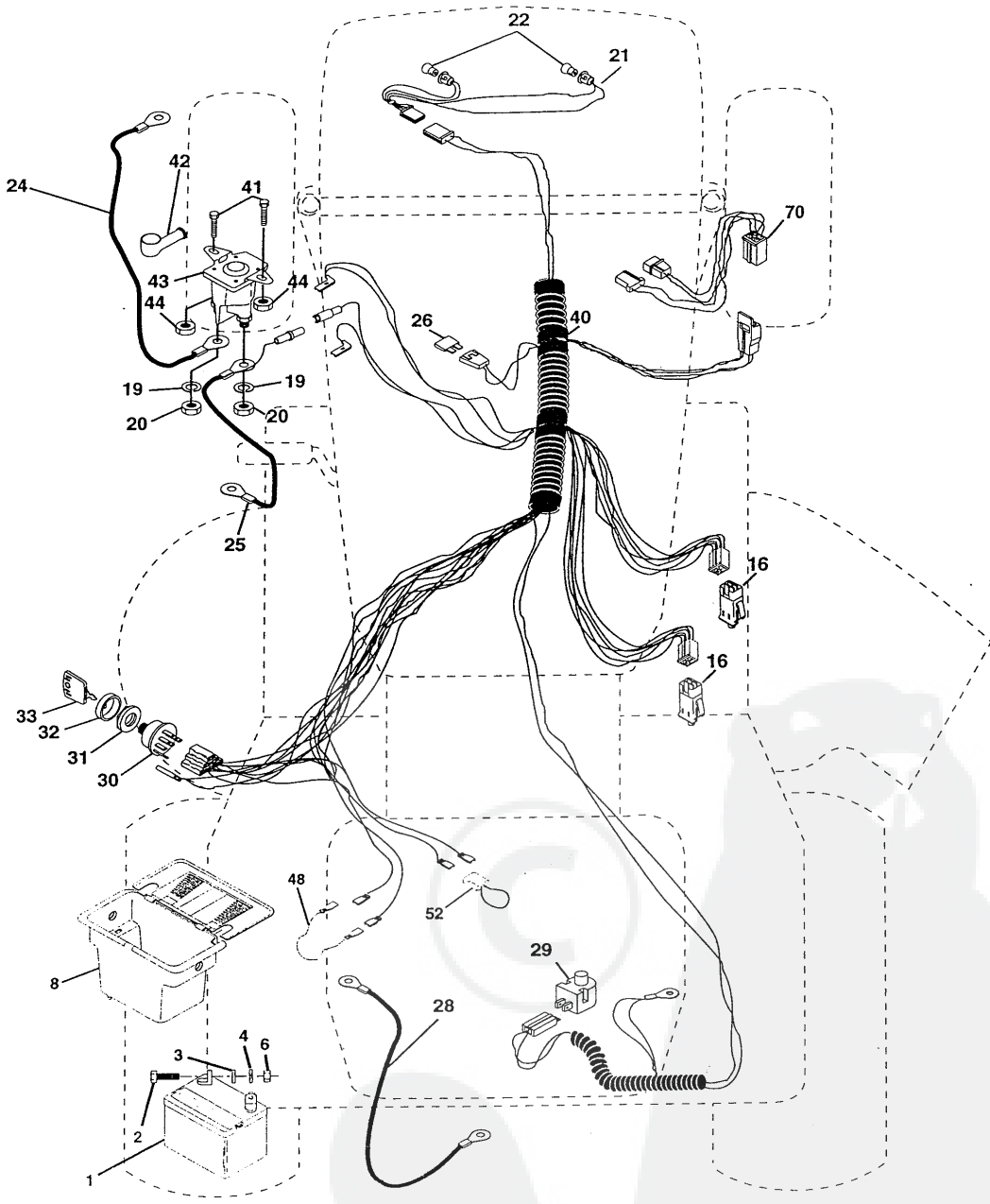
SCHEMATIC



REPAIR PARTS

TRACTOR - - MODEL NUMBER WZ14542A

ELECTRICAL



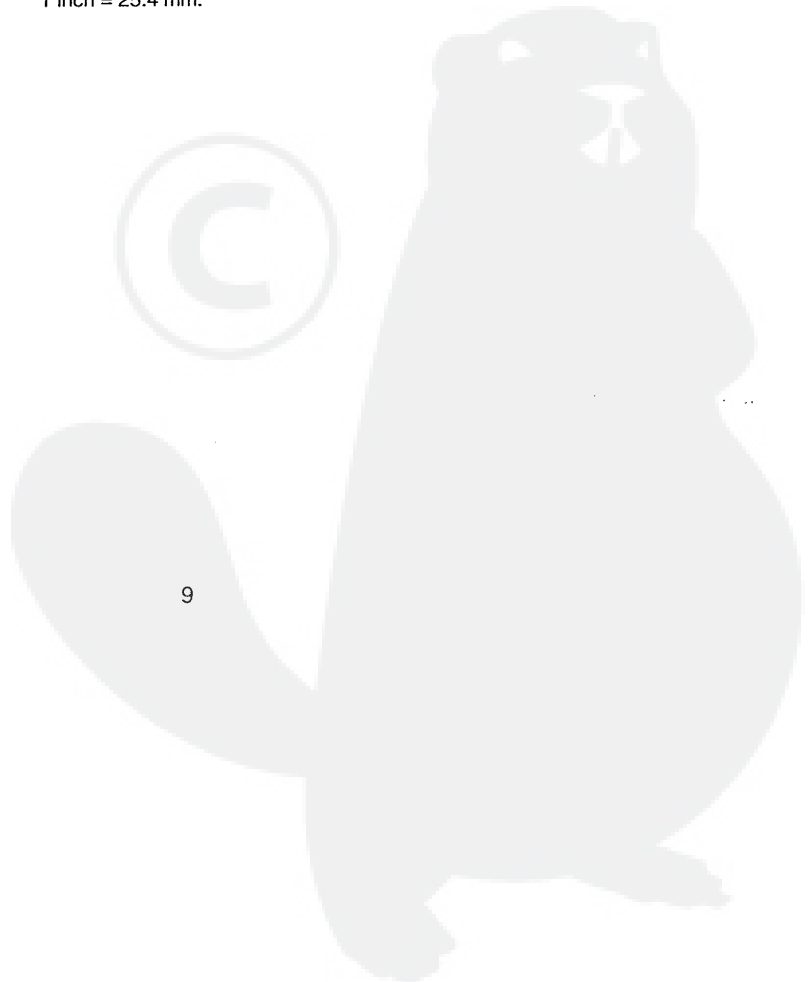
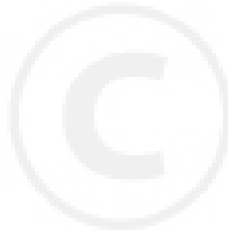
REPAIR PARTS

TRACTOR - - MODEL NUMBER WZ14542A

ELECTRICAL

KEY NO.	PART NO.	DESCRIPTION
1	144925	Battery 12 Volt 25 AMP
2	74760412	Bolt Hex Hd 1/4-20unc X 3/4
3	19091016	Washer 9/32 x 5/8 x 16 Ga.
4	10040400	Washer Lock Hvy Helical 1/4
6	73220400	Nut Fin Hex 1/4-20 Unc
8	156417	Case Battery
16	153664	Switch Interlock Push-In
19	10090400	Washer Lock 1/4
20	73350400	Nut Jam Hex 1/4-20 Unc
21	136850	Harness Asm Light W/4152j
22	4152J	Bulb Light #1156
24	4799J	Cable Battery 6 Ga 11" red
25	146147	Cable Battery 6 Ga 44" red
26	108824X	Fuse 30 AMP Auto Green
28	4207J	Cable Ground 6 Ga 12" black
29	121305X	Switch Plunger Nc Gray
30	140301	Switch Ign 4 pos w/lights
31	124211X	Nut Ignition
32	141226	Cover Sw Ignition
33	122147X	Key Ign Modledeed Generic
40	156442	Harness Ignition LT PL Mech
41	71110408	Bolt Blk Fin Hex 1/4 - 20 x 1/2
42	131563	Cover Terminal Red
43	145673	Solenoid
44	73640400	Nut Keps Hex 1/4-20 Unc
48	140844	Adapter Ammeter
52	141940	Protection Wire Loop
70	140422	Harness, Eng.

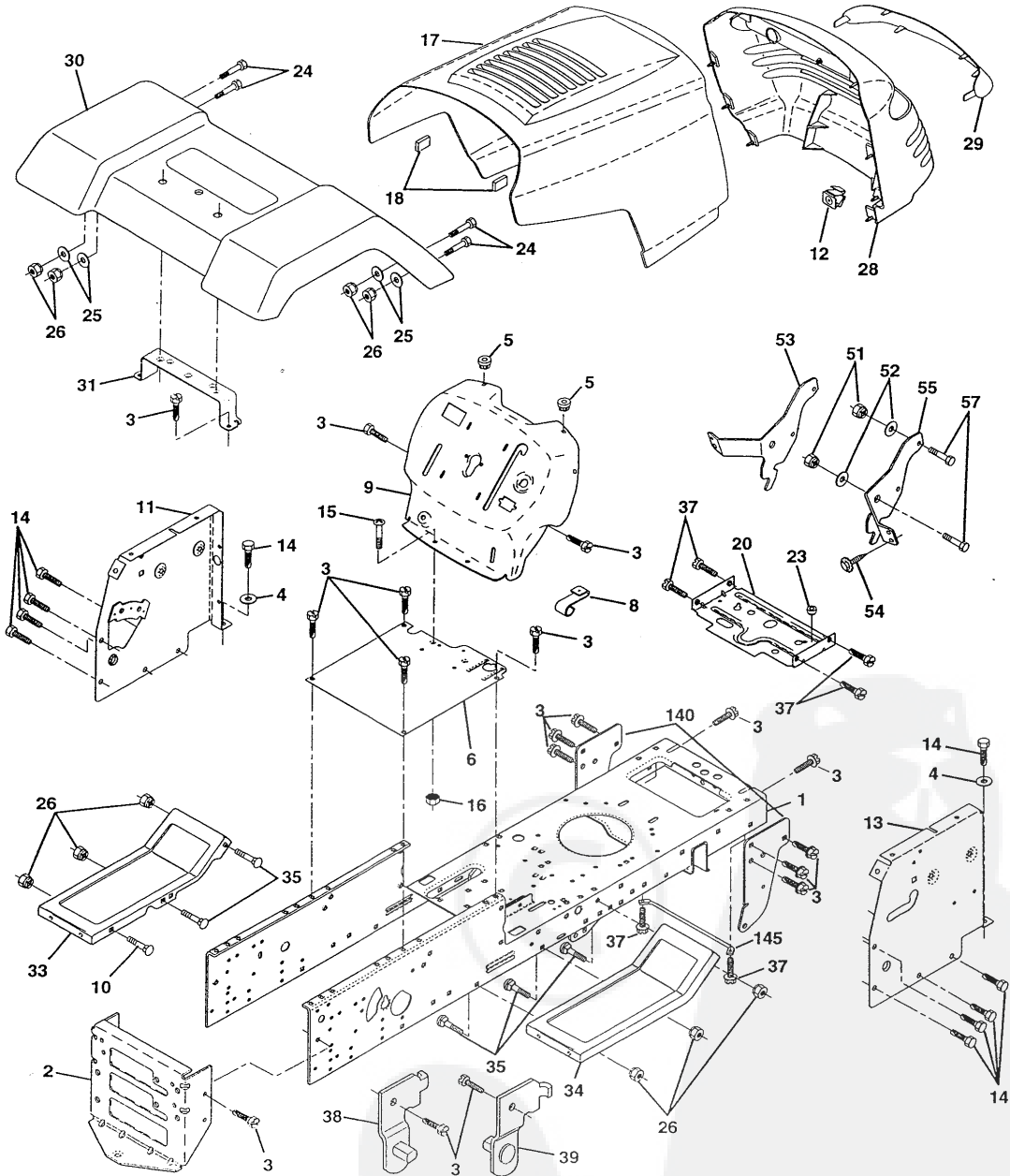
NOTE: All component dimensions give in U.S. inches
1 inch = 25.4 mm.



REPAIR PARTS

TRACTOR -- MODEL NUMBER WZ14542A

CHASSIS AND ENCLOSURES



REPAIR PARTS

TRACTOR - - MODEL NUMBER WZ14542A

CHASSIS AND ENCLOSURES

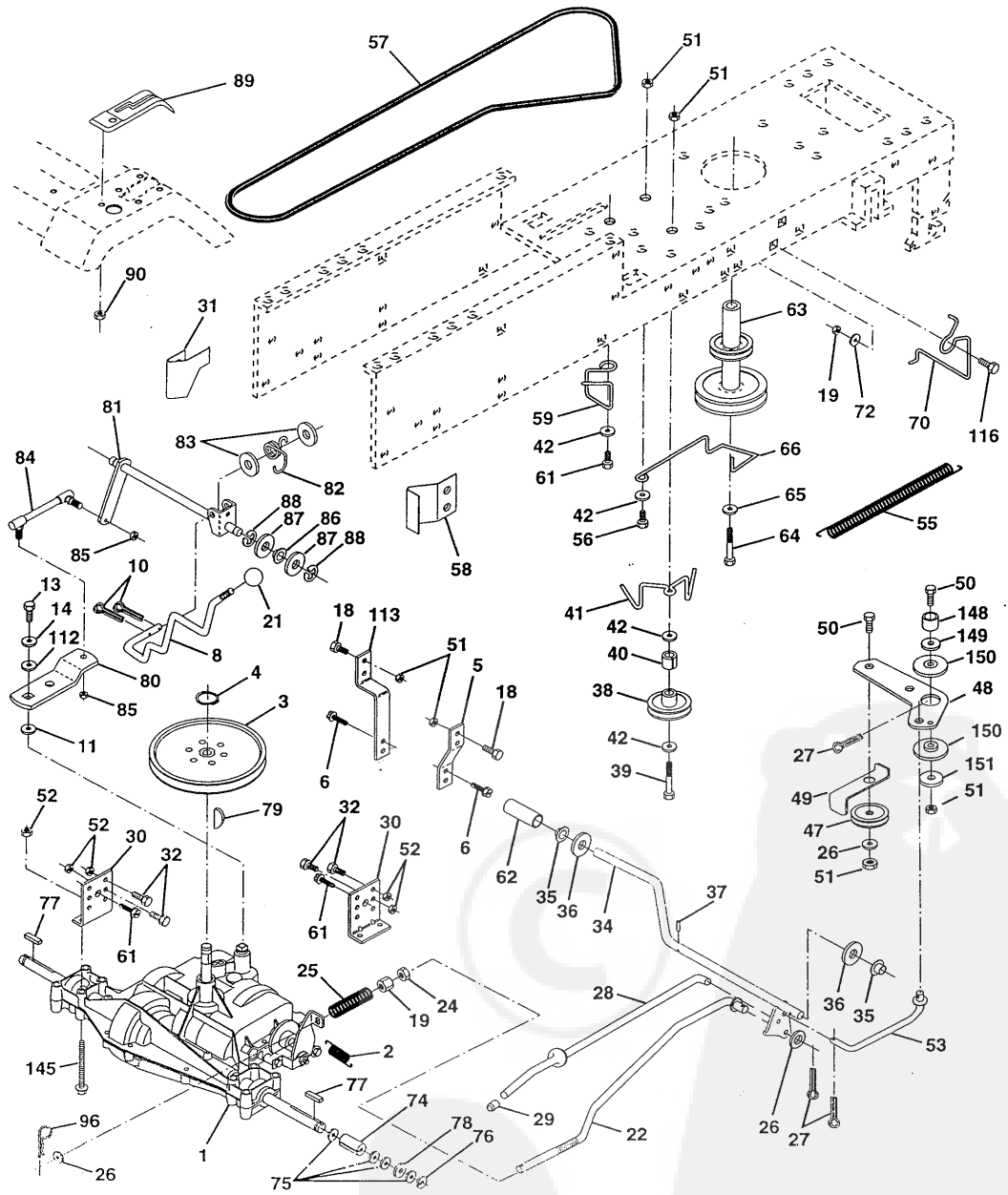
KEY NO.	PART NO.	DESCRIPTION
1	160393	Chassis LT Stamping 98
2	140356	Drawbar, Stretch 94
3	17490612	Screw, Thdrol. 3/8-16 x 3/4 Ty-TT
4	19131216	Washer 13/32 x 3/4 x 16 Gauge
5	155272	Bumper Hood/Dash
6	155923	Saddle LT Fender Shift
8	155138	Clip Retainer Slide-On
9	161937X011	Dash P/L
10	72140608	Bolt, Rdhd Sqnk 3/8-16 x 1
11	155927	Panel Asm.Dash LH
12	145660	Clip Tinnerman Grille P/L
13	155934X010	Dash, Panel RH
14	17490608	Screw Thdrol 3/8-16 x 1/2 Ty-tt
15	74180512	Screw Mach.Trhd 5/16-18 UNC x 3/4
16	73510500	Nut Keps 5/16-18 UNC
17	159639X505	Hood Pnt Stil PL
18	126938X	Bumper Hood
20	156437	Plate Mtg. Battery Fuel Tank
23	124028X	Bushing Snap Nyl Blk Fuel Line
24	74780616	Bolt, Hex , Fin. 3/8-16UNC x 1 Gr. 5
25	19131312	Washer 13/32 x 13/16 x12 Gauge
26	73800600	Nut Lock Hex w/Ins. 3/8-16 Unc
28	157373	Grille
29	140273	Lens Grille
30	157583X505	Fender Pnt
31	136619	Bracket Fender
33	145244X505	Footrest Pnt., LH
34	145243X505	Footrest Pnt., RH
35	72110606	Bolt Rdhd Sht. Sqnk 3/8-16 X 3/4
37	17490508	Screw Thdrol 5/16-18 x 1/2 Tyt
38	139886	Bracket Asm. Pvt. LH Mower Rear
39	139887	Bracket Asm. Pvt. RH Mower Rear
51	73800400	Nut Lock Hex W/Ins 1/4-20
52	19091416	Washer 9/32 x 7/8 x 16 Ga.
53	144697	Bracket, Grille LH
54	161464	Screw Hex WSHD 8-18 x 7/8
55	144696	Bracket Grille RH
57	74780412	Bolt Fin Hex 1/4-20 x 3/4
58	150127	Air Duct Engine P/L
140	158418	Bracket Suspension Front
145	156524	Rod Pivot Chassis/Hood
--	5479J	Plug Btn Blk .359 Dia Ch/Inf

NOTE: All component dimensions given in U.S. inches
1 inch = 25.4 mm

REPAIR PARTS

TRACTOR -- MODEL NUMBER WZ14542A

DRIVE



REPAIR PARTS

TRACTOR - - MODEL NUMBER WZ14542A

DRIVE

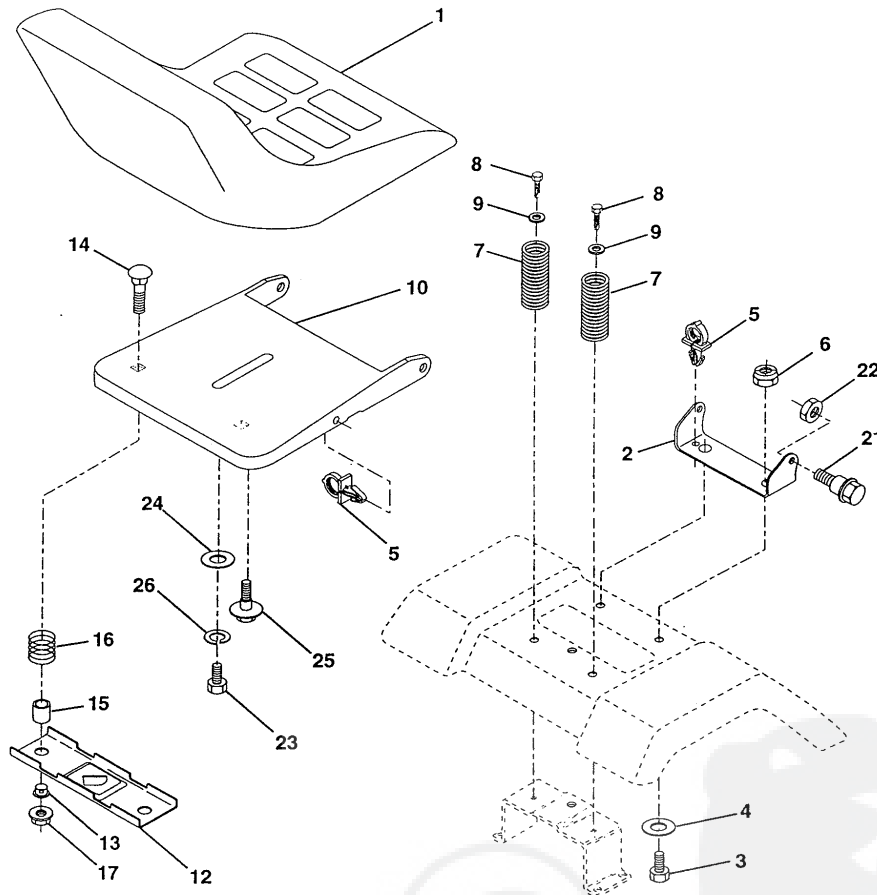
KEY NO.	PART NO.	DESCRIPTION	KEY NO.	PART NO.	DESCRIPTION
1	-----	Transaxle (See Breakdown) Peerless, Model Number 206-508B	53	105710X	Link, Clutch
2	146682	Spring, Brake Return	55	105709X	Spring, Return, Clutch
3	123666X	Pulley, Transaxle	56	74760620	Bolt, Fin, Hex 3/8-16unc x 1-1/2
4	12000028	Ring, Retainer	57	130801	V-Belt, Drive
5	121520X	Strap, Torque	58	127274X	Keeper, Belt, Transaxle, R.H.
6	17490512	Screw, Hex, Washer, Thread Rolling 5/16-18 x 3/4	59	140312	Retainer, Belt
8	141003	Rod, Shifter	61	17490612	Screw, Hex Washer Head, Thd., Roll. 3/8-16 x 3/4
10	76020416	Pin, Cotter 1/8 x 1	62	8883R	Cover, Foot Pedal
11	105701X	Washer, Shift Plate	63	140186	Pulley, Engine
13	74550412.	Bolt 1/4-28 UNF Gr. 8 w/Patch	64	71170764	Bolt, Hex 7/16-20 x 4 Gr. 5
14	10040400	Washer Lock	65	10040700	Washer, Lock Hvy Hlcl Spr 7/16
18	74780616	Bolt, Fin Hex 3/8-16 Unc x 1 Gr. 5	66	154778	Keeper, Belt Engine F-Proof
19	73800600	Locknut 3/8-16	70	134683	Guide Belt Mower Drive RH
21	106933X	Knob	72	19132012	Washer 13/32 x 1-1/4 x 12 Ga.
22	130804	Rod, Brake	74	137057	Spacer, Split
24	73350600	Nut, Hex Jam 3/8-16	75	121749X	Washer 25/32 x 1-1/4 x 16 Ga.
25	106888X	Spring, Rod, Brake	76	12000001	E-Ring
26	19131316	Washer 13/32 x 13/16 x 16 Gauge	77	123583X	Key Square
27	76020412	Pin, Cotter 1/8 x 3/4	78	121748X	Washer 25/32 x 1-5/8 x 16 Ga.
28	145204	Rod, Brake, Park	79	2226M	Key Woodruff #9 3/16 x 3/4
29	71673	Cap, Plunger	80	131486	Shift Arm
30	130807	Bracket, Transaxle, L.H.	81	161076	Shaft, Assembly, Cross
31	127275X	Keeper, Belt, Transaxle, L.H.	82	123782X	Spring, Torsion
32	74760512	Bolt Hex Hd 5/16-18 UNC x 3/4	83	19171216	Washer 17/32 x 3/4 x 16 Gauge
34	155071	Shaft, Foot Pedal	84	123793X	Rod, Tie
35	120183X	Bearing Nylon	85	150360	Nut 1/4-28
36	19211616	Washer 21/32 x 1 x 16 Gauge	86	157480	Bushing
37	1572H	Pin, Roll 3/16 x 1	87	19212016	Washer 21/32 x 1-1/4 x 16 Gauge
38	123674X	Idler, Flat	88	12000008	Ring, Klip
39	74760644	Bolt, Hex 3/8-16 x 2-3/4	89	139964	Console, 6 Speed
40	4470J	Spacer	90	124346X	Nut, Washer Head, Self-Thread 1/4
41	154777	Keeper, Belt	96	4497H	Retainer Spring 1" Ziinc/Cad
42	19131312	Washer 13/32 x 13/16 x 12 Gauge	112	19091210	Washer 9/32 x 3/4 x 10 Ga.
47	127783	Pulley, Idler	113	127285X	Strap Torque L.H. Lt
48	154407	Bellcrank Asm Clutch	116	72110610	Bolt, RdHd Sq Neck 3/8-16 x 1.25
49	123205X	Retainer, Belt	145	74490540	Bolt Hex Flghd 5/16-18 x Gr. 5
50	74760624	Bolt, Hex 3/8-16 x 1-1/2	148	159103	Spacer
51	73680600	Nut, Crownlock 3/8-16	149	122052X	Spacer Retainer PM Mower
52	73680500	Nut, Crownlock 5/16-18	150	150935	Bellcrank Clutch Grnd STL
			151	19133210	Washer 13/32 x 2 x 10 Ga.

NOTE: All component dimensions give in U.S. inches.
1 inch = 25.4 mm.

REPAIR PARTS

TRACTOR -- MODEL NUMBER WZ14542A

SEAT



KEY NO.	PART NO.	DESCRIPTION
1	127428	Seat
2	140551	Bracket, Pivot, Seat
3	74760616	Bolt
4	19131610	Washer 13/32 x 1 x 10 Ga.
5	145006	Clip, Push-in
6	73800600	Nut
7	124181X	Spring, Seat
8	17490616	Screw, Thdrol 3/8-16 x 1
9	19131614	Washer 13/32 x 1 x 14 Ga.
10	155925	Pan, Seat
12	121246X	Bracket, Mounting, Switch, Seat
13	121248X	Bushing, Nylon

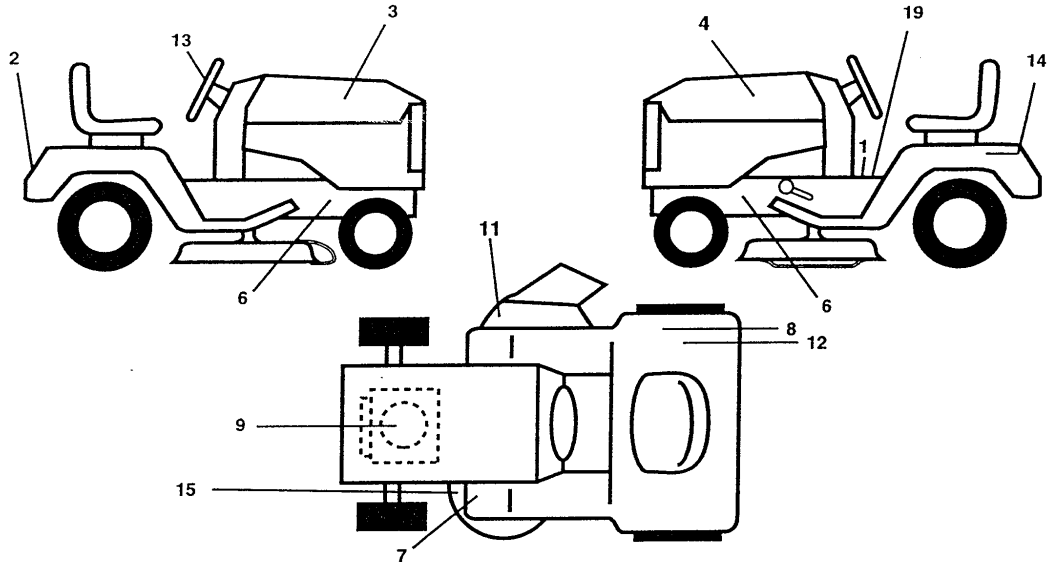
KEY NO.	PART NO.	DESCRIPTION
14	72050412	Nut, Crownlock 1/4-20 x 1-1/2
15	134300	Spacer, Split
16	121250X	Spring
17	123976X	Nut, Lock, Flange 1/4 Gr. 5
21	153236	Bolt, Shoulder 5/16-18 UNC
22	73800500	Nut
23	74780814	Bolt Fin Hex 1/2 - 13 x 7/8 Gr. 5
24	19171912	Washer 17/32 x 1-3/16 x 12 Ga.
25	127018X	Bolt Shoulder 5/16-18 x .62
26	16040800	Washer Lock Hvy Hc'tc Spi 1/2

NOTE: All component dimensions given in U.S. inches
1 inch = 25.4 mm

REPAIR PARTS

TRACTOR -- MODEL NUMBER WZ14542A

DECALS

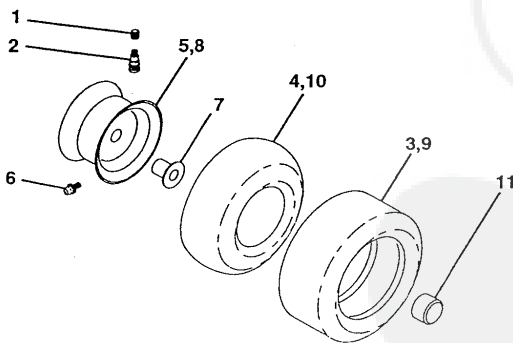


KEY NO.	PART NO.	DESCRIPTION
1	145498	Decal, Instruction, Operation
2	163769	Decal, Fender Logo
3	163793	Decal, Hood Rh
4	163794	Decal, Hood Lh
6	159736	Decal, Chassis Hot Muffler
7	159737	Decal, Brake/Clutch Symbol LT
8	145437	Decal, Europe Stand CE
9	272991	Decal, HP Engine
11	145494	Decal, Mower Cutoffinger Symbol
12	125690X	Decal 100 DBA
13	163770	Decal, Wheel Steering

KEY NO.	PART NO.	DESCRIPTION
14	145005	Decal, Btry Dngr/Psn P/L Sym
15	160396	Decal, V-Belt
19	140837	Decal, Parking Brake
--	138311	Decal, Handle, Lift, Height Adjust (Lift Handle)
--	162598	Decal, Drawbar Load Limit
--	133671	Pad Footrest Ribbed
--	163432	Manual (Euro)
--	163434	Manual, Repair Parts

KEY NO.	PART NO.	DESCRIPTION
14	145005	Decal, Btry Dngr/Psn P/L Sym
15	160396	Decal, V-Belt
19	140837	Decal, Parking Brake
--	138311	Decal, Handle, Lift, Height Adjust (Lift Handle)
--	162598	Decal, Drawbar Load Limit
--	133671	Pad Footrest Ribbed
--	163432	Manual (Euro)
--	163434	Manual, Repair Parts

TIRES AND WHEELS



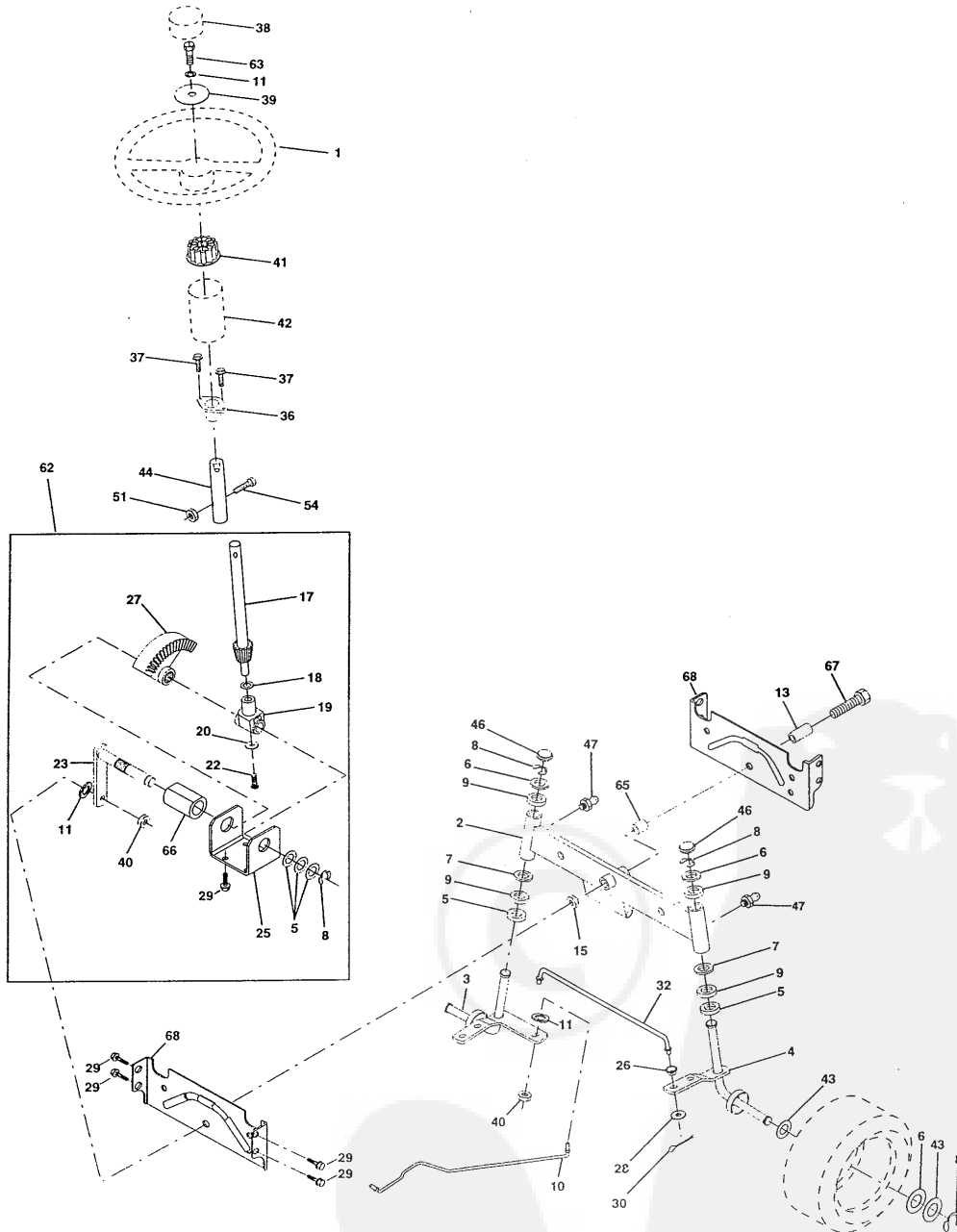
KEY NO.	PART NO.	DESCRIPTION
1	59192	Cap, Valve
2	65139	Stem, Valve
3	106222X	Tire Front
4	59904	Tube, Front (not furnished)
5	106732X427	Rim, Asm. Front
6	278H	Grease Fitting (rear tire only)
7	9040H	Bearing, Flange (front tire only)
8	106108X427	Rim, Asm. Rear
9	106268X	Tire, Rear TS. 18 x 9.5 - 9 C. Service
10	7152J	Tube, Rear (not furnished)
11	104757X	Cap, Axle
--	141334	Sealant, Tire (10 oz. Tube)

NOTE: All component dimensions given in U.S. inches
1 inch = 25.4 mm

REPAIR PARTS

TRACTOR - - MODEL NUMBER WZ14542A

STEERING WHEEL



REPAIR PARTS

TRACTOR - - MODEL NUMBER WZ14542A

STEERING WHEEL

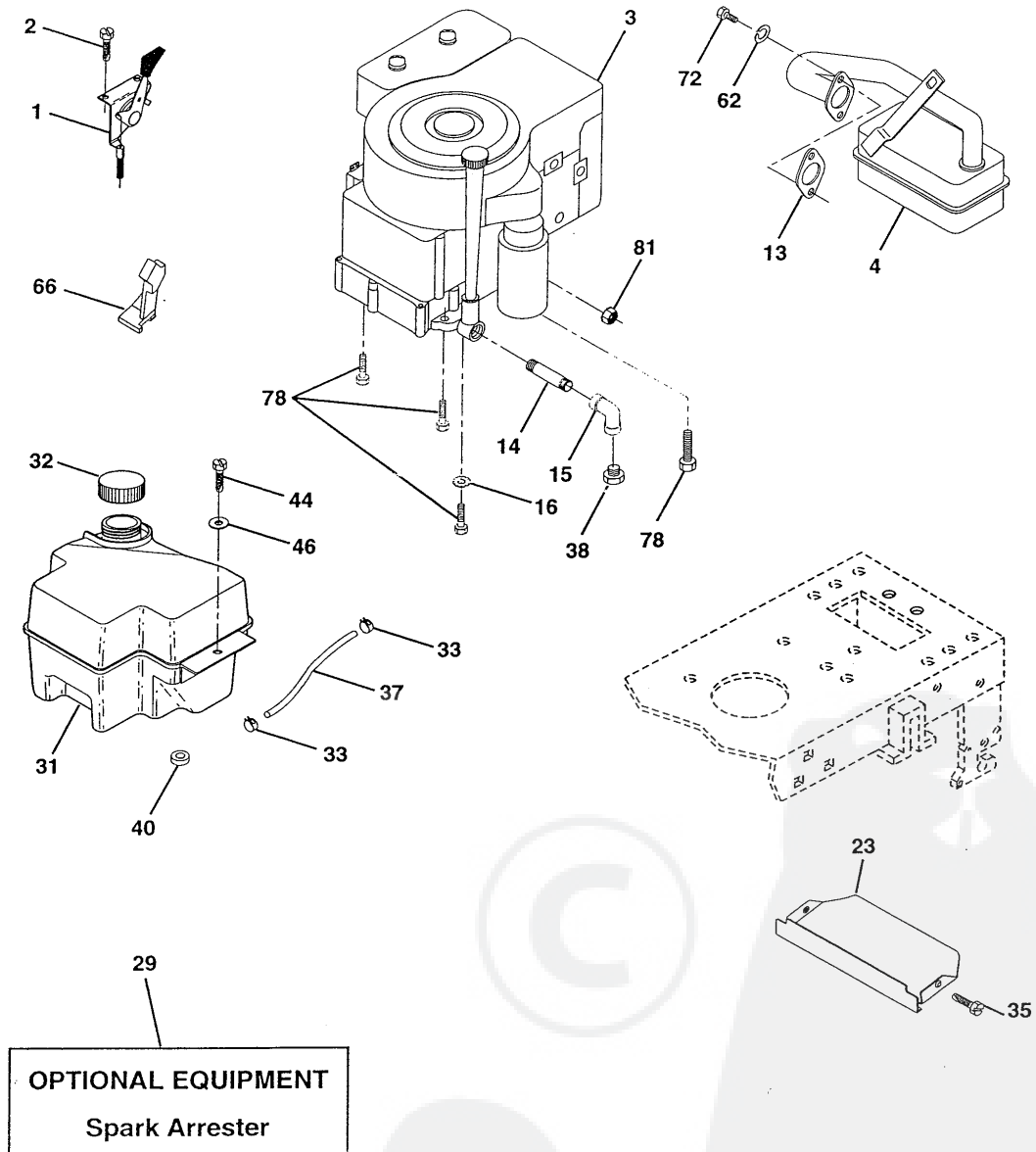
KEY NO.	PART NO.	DESCRIPTION
1	133741	Wheel Steering
2	154427	Axle Asm Front
3	156483	Spindle Asm LH
4	157473	Spindle Asm RH
5	6266H	Bearing, Race, Thrust Hardened
6	121748X	Washer 25/32 X 1-5/8 X 16 Ga
7	19272016	Washer 27/32 X 1-1/4 X 16 Ga
8	12000029	Ring Klip
9	3366R	Bearing
10	156438	Link Drag
11	10040600	Washer Lock Hvy Hlcl Spr 3/8
13	154779	Bearing Axle Sttl/Gt
15	73901000	Locknut, Hex, Jam, w/Washer Insert 5/8-11 Unc
17	156546	Steering, Assembly Shaft
18	57079	Washer Thrust 515x 750x 033
19	124035X	Support Shaft
20	126684X	Washer Shim 1/4 X 5/8 X .062
22	71200410	Screw Hex Socket 1/4-20 x 5/8
23	127501	Shaft Asm Pittman
25	154406	Bracket Steering
26	126847X	Bushing Link Drag Blk Lr
27	136874	Gear Sector
28	19131416	Washer 13/32 x 7/8 x 16 Ga.
29	17490612	Screw Thdrol. 3/8-16x3/4 Ty-tt
30	76020412	Pin Cotter 1/8 x 3/4 CAD
32	130465	Rod Connecting
36	155099	Bushing Steering
37	152927	Screw TT #10-32 X 5 x 3/8 Flange
38	133742	Cap Wheel Steering
39	19133808	Washer 13/32 x 2-3/8 x 8 Ga
40	7810H	Nut Lock Center 3/8-24 Unf
41	100711L	Adapter Wheel Strg
42	154054	Boot Shaft Steering
43	121749X	Washer 25/32 X 1 1/4 X 16 Ga
44	153720	Extension Steering
46	121232X	Cap Spindle
47	6855M	Fitting Grease
51	73800500	Nut Lock Hex W/Ins. 5/16-18 Unc P
54	74780520	Bolt Fin Hex 5/16-18 Unc 6 x 1-1/4
62	156594	Kit Steering Asm. Service
63	74780616	Bolt Fin Hex 3/8-16unc x 1 Gr. 5
65	154780	Spacer Axle
66	154404	Bearing Arm Pittman
67	74781044	Bolt Fin Hex 5/8-11 UNC x 2-3/4
68	154429	Brsce Axle

NOTE: All component dimensions given in U.S. inches
1 inch = 25.4 mm

REPAIR PARTS

TRACTOR -- MODEL NUMBER WZ14542A

ENGINE



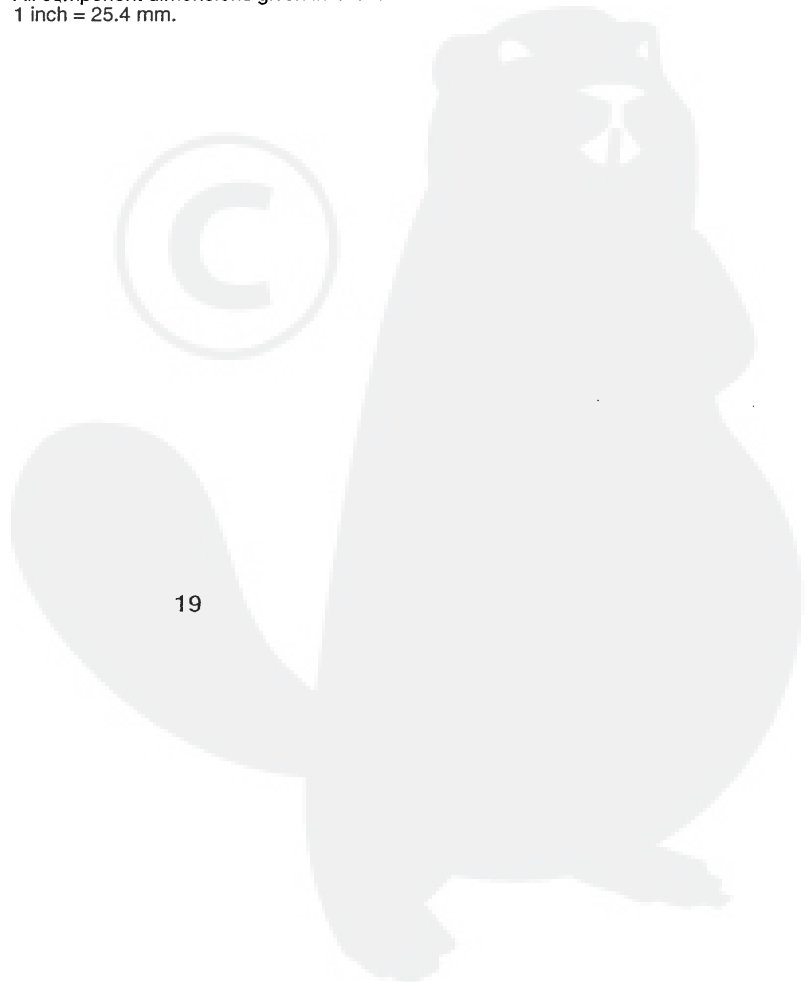
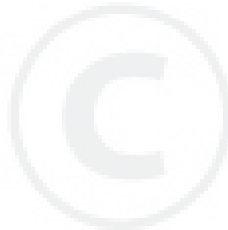
REPAIR PARTS

TRACTOR - - MODEL NUMBER WZ14542A

ENGINE

KEY NO.	PART NO.	DESCRIPTION
1	141359	Control Th/ch
2	17720410	Screw Hex Thd Cut 1/4-20x5/8 T
3	-----	Engine Briggs Model No. 287707
4	137352	Muffler Exhaust B&S
13	272293	Gasket Eng 1 313 Id Tin Plated
14	13280324	Nipple Pipe 3/8 Npt X 3"
15	13200300	Elbow Std 90 Degree 3/8-18 Npt
16	11050600	Washer Lock Ext Tooth 3/8
23	159880	Shield BRN/DBR Guard
29	137180	Kit Spark Arrestor (Flat Scrn)
31	161911	Tank Fuel Front 2 00
32	140527	Cap Asm Fuel
33	123487X	Clamp Hose Blk
35	17490512	Screw Thdrol 5/16-18 x 3/4
37	137040	Line Fuel
38	-----	Plug Oil Drain (Order From Engine Manufacturer)
40	124028X	Bushing Snap Nyl Blk Fuel Line
44	17490412	Screw Hexwsh Thdrol 1/4-20x3/4
46	19091416	Washer 9/32 X 7/8 X 16 Ga
62	10040500	Washer 5/16
66	127951	Stop Throttle
72	71070512	Screw 5/16-18 x 3/4
78	17490620	Screw Thdrol 3/8-16x1-1/4 TYTT
81	128861	Nut Flange 1/4-20 Starter Nut

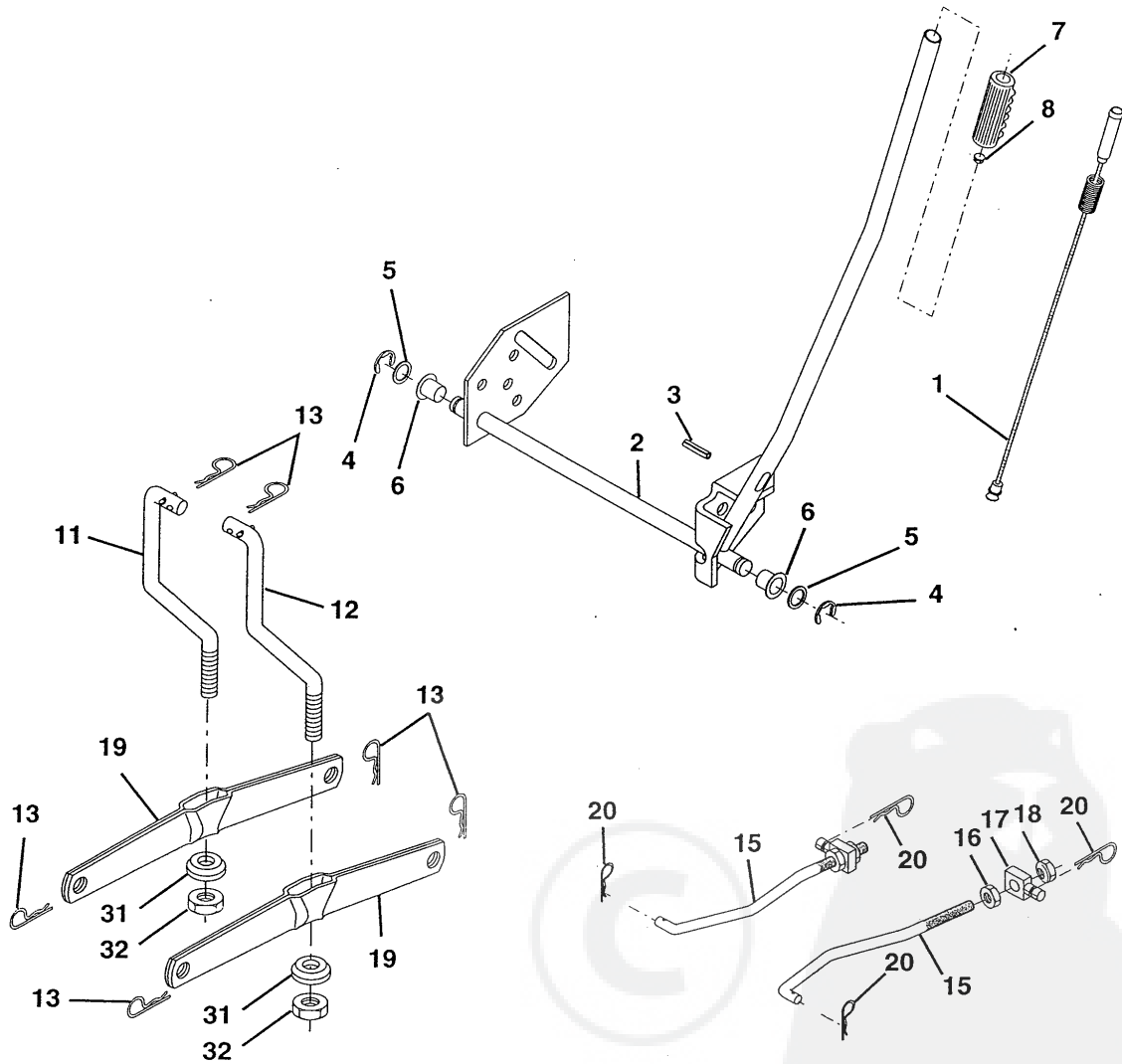
NOTE: All component dimensions given in U.S. inches.
1 inch = 25.4 mm.



REPAIR PARTS

TRACTOR - - MODEL NUMBER WZ14542A

MOWER LIFT



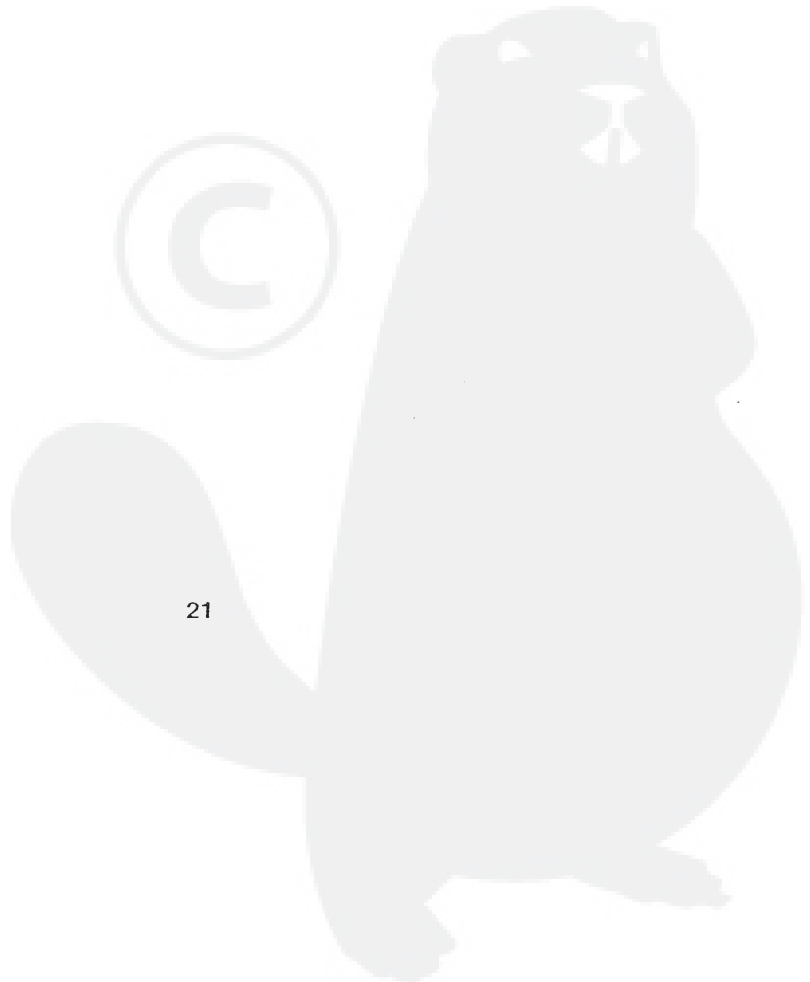
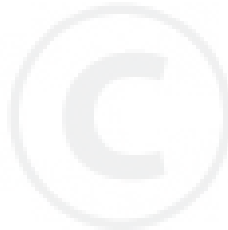
REPAIR PARTS

TRACTOR - - MODEL NUMBER WZ14542A

MOWER LIFT

KEY NO.	PART NO.	DESCRIPTION
1	159460	Wire Asm. Inner/Sprg w/Plunger
2	159471	Shaft, Asm., Lift R/H
3	105767X	Pin, Groove
4	12000002	Ring, E #5133-62
5	19211621	Washer 21/32 x 1 x 21 Ga.
6	120183X	Bearing, Nylon
7	109413X	Grip Handle Bicycle Matte Blk
8	124526X	Button, Plunger
11	139865	Link, Lift, Lh
12	139866	Link, Lift, Rh
13	4939M	Spring, Retainer
15	127218	Link, Front
16	73350800	Nut, Jam, Hex 1/2-13 Unc
17	130171	Trunnion
18	73680800	Nut Crownlock 1/2-13 Unc
19	139868	Arm, Suspension, Rear
20	3146R	Spring, Retainer
31	140302	Bearing, Pvt Lft
32	73540600	Nut Crownlock 3/8-24

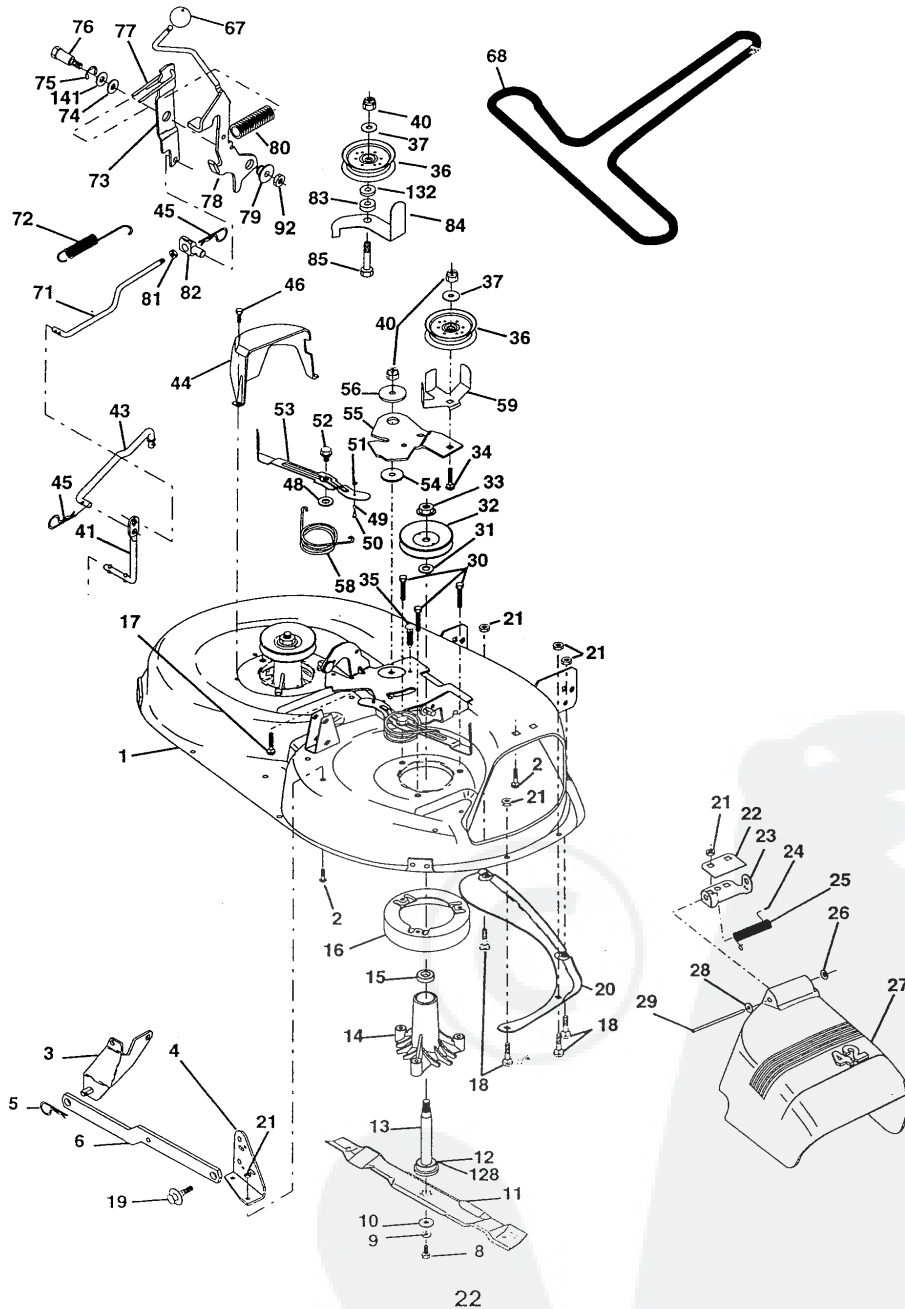
NOTE: All component dimensions given in U.S. inches
1 inch = 25.4 mm



REPAIR PARTS

TRACTOR -- MODEL NUMBER WZ14542A

MOWER DECK



REPAIR PARTS

TRACTOR - - MODEL NUMBER WZ14542A

MOWER DECK

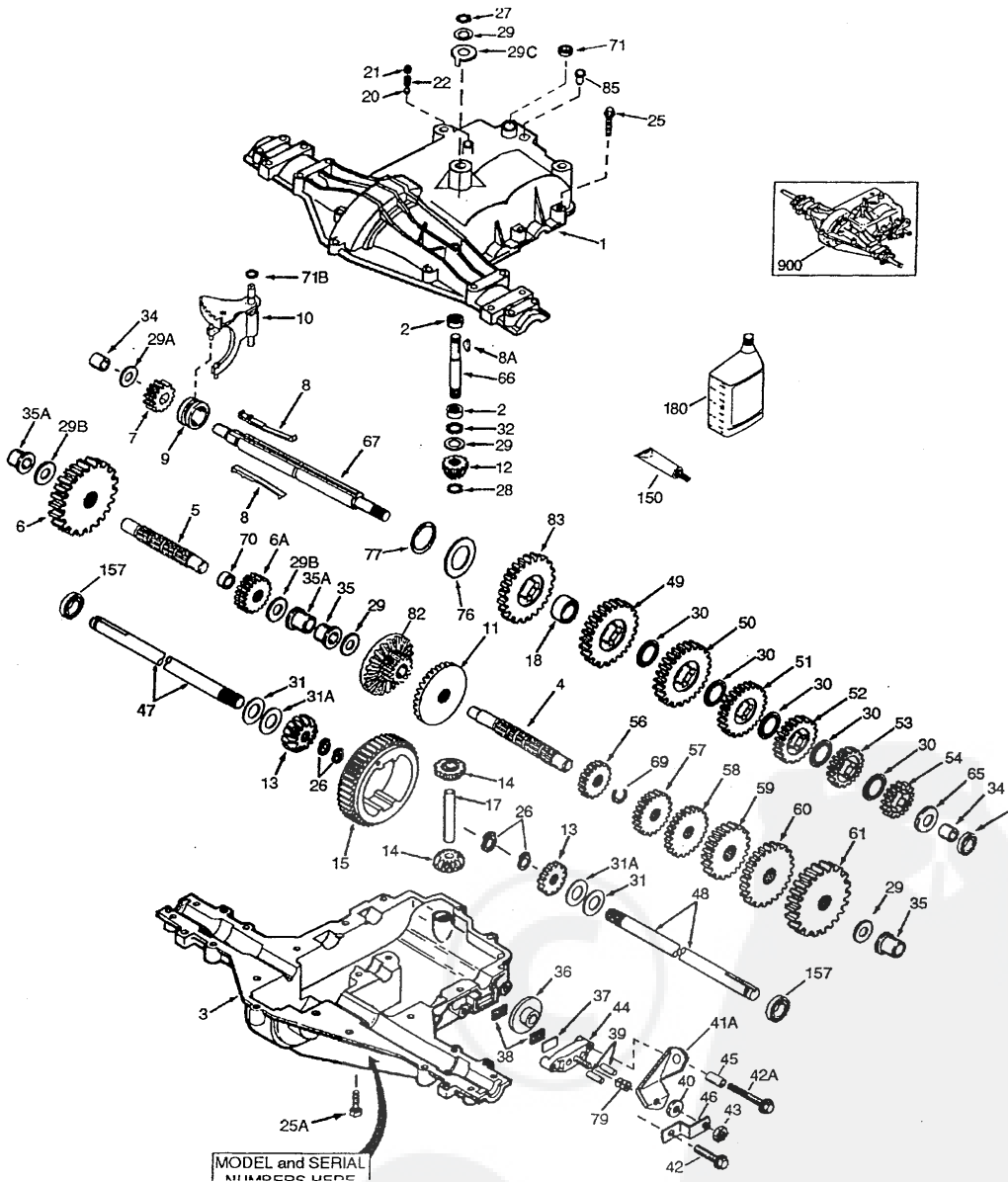
KEY NO.	PART NO.	DESCRIPTION	KEY NO.	PART NO.	DESCRIPTION
1	144393	Housing Asm MWR 42" HL MCH T-Path	44	140088	Guard Mandrel LH Black
2	72140506	Bolt Rdhd Sqnk 5/16-18unc X3/4	45	4497H	Spring Retainer 1" Zinc/cad
3	138017	Bracket Asm Fr Sway Bar 38/42	46	137729	Screw Hex Thd Cut 1/4-24 UNC
4	138440	Bracket Asm Deck 42"sway Bar	48	133944	Washer Hardened Smaller
5	4939M	Retainer Spring	49	155066	Roller Asm Cam Follower 42"dec
6	130832	Arm Suspension Rear	50	131340	Bolt Shldr 10-24 Zinc Gr 5 42"
8	850857	Bolt 3/8-24x1 25 Gr8 Patched	51	69180	Nut Lock #10-24 Unc
9	10030600	Washer Lock Hvy 3/8 Unplated	52	139888	Bolt Shoulder 5/16-18 Unc Blkz
10	140296	Washer Hard Blade Mower Vented	53	131845X900	Arm Asm Pad Brake
11	138498	Blade Mower 42" High Lift	54	133943	Washer Hardened
12	129895	Bearing Ball #6204 (Mandrel)	55	155046	Arm Idler 42" mower
13	137645	Shaft Asm W/lower Bearing	56	122052X	Spacer Retainer Pm Mower
14	128774	Housing Mandrel Vented(machd)	58	140086	Spring Torsion Brakes 42"
15	110485X	Bearing Ball Mandrel	59	141043	Guard TUV Idler
16	140329	Stripper Mower Round	67	162132	Knob Rd 7/16-14 Pastic Thds Blk
17	72110610	Bolt Rdhd Sqnk 3/8-16 X 1.25	68	144200	V-Belt Mower
18	72140505	Bolt Carr 5/16-18 X 5/8	71	142427	Rod Clutch Primary 38/42
19	132827	Bolt Shoulder	72	131870	Spring Return
20	159770	Baffle Vortex 42	73	127847	Arm Clutch Secondary
21	73690500	Nut Crown Lock 5/16-18	74	121748X	Washer 25/32 X 1-5/8 X 16 Ga
22	134753	Stiffener Bracket 42"deck	75	12000029	Ring Klip #15304-75
23	131267	Bracket Deflector Mower 42"	76	128903	Bolt Shoulder 3/8-16 Unc 1 44
24	105304X	Cap Sleeve 80x 112 Blk Mower	77	127845	Keeper Spring 4 000
25	123713X	Spring Torsion Deflector 2 52	78	160570	Arm Clutch Primary
26	110452X	Nut Push Phos & Oil	79	127498	Bushing 747 Od X 794 Lg Brass
27	130968	Shield Deflector Mower 42" Blk	80	153701	Spring Clutch Mower
28	19111016	Washer 11/32 X 5/8 X 16 Ga	81	73350600	Nut Hex Jam 3/8-16
29	131491	Rod Hinge 42"6 75 Wlg	82	142028	Trunnion Adj.
30	157722	Screw Thdrol Washer Hd	83	120958X	Washer Sintered
31	129963	Washer Spacer Mower Vented	84	156084	Keeper Belt Idler
32	153535	Pulley Mandrel 42/44/50"	85	72140618	Bolt Rdhd Sq 3/8-16 UNC x2-1/4
33	137266	Nut 9/16top Lock Flng	92	73800600	Nut Lock Hex w/Ins 3/8-16 UNC
34	72110614	Bolt Rdhd 3/8-16uncx1-3/4 Gr5	128	153390	Washer Felt
35	133835	Fastner Christmas Tree	132	19132203	Washer 13/32 x 1-3/8 x 3 Ga.
36	131494	Pulley Idler Flat 3 060	141	6266H	Wasehr Thrust .75 x 1.230
37	19131316	Washer 13/32 x 13/16 x 16 Ga.	--	130794	Mandrel Assembly (Includes Key Numbers 8-10, 12-15, 31 and 33)
40	73680600	Nut Crownlock 3/8-16 Unc	--	144783	Deck, Std (Complete)
41	133551	Rod Pivot W/nibs			
43	140083	Rod Clutch Secondary W/nibs			

NOTE: All component dimensions given in U.S. inches
1 inch = 25.4 mm

REPAIR PARTS

TRACTOR - - MODEL NUMBER WZ14542A

TRANSAXLE - PEERLESS MODEL NUMBER 206-508B



REPAIR PARTS

TRACTOR - - MODEL NUMBER WZ14542A

TRANSAXLE - PEERLESS MODEL NUMBER 206-508B

REF PART NO. NO.	DESCRIPTION	REF PART NO. NO.	DESCRIPTION
1 772147	Transaxle Cover	41A 790079	Brake Lever
2 780086A	Needle Bearing 5/8"	42 792073A	Screw 1/4-20 x 1-1/4"
3 770128	Transaxle Case	42A 792085A	Screw 1/4-20 x 2-1/4"
4 776395	Countershaft	43 792075	Locknut 5/16-24
5 776409	Output Shaft	44 790025	Brake Pad Holder
6 778364	Spur Gear (38 teeth)	45 786066	Spacer
6A 778369	Spur Gear (15 teeth)	46 786086	Brake Lever Bracket
7 778330	Spur Gear (11 teeth)	47 774690	Axle (11-15/16" long)
8 792180	Shift Key	48 774691	Axle (16-1/2" long)
8A 792047	Woodruff Key #9	49 778356	Spur Gear (29 teeth)
9 784352	Shift Collar	50 778338	Spur Gear (27 teeth)
10 784378	Shift Rod & Fork	51 778354	Spur Gear (23 teeth)
11 778334	Bevel Gear (30 teeth)	52 778352	Spur Gear (19 teeth)
12 778309	Input Bevel Pinion (13 teeth)	53 778350	Spur Gear (16 teeth)
13 778368	Bevel Gear (13 teeth) (Incl. 14)	54 778346	Spur Gear (15 teeth)
14 778367	Bevel Pinion (13 teeth) (Incl. 13)	56 778355	Spur Gear (11 teeth)
15 778370	Ring Gear (43 teeth)	57 778337	Spur Gear (13 teeth)
17 786188	Drive Pin	58 778353	Spur Gear (17 teeth)
18 786102	Spacer	59 778351	Spur Gear (21 teeth)
20 792077	Ball 5/16" dia	60 778349	Spur Gear (24 teeth)
21 792078	Set Screw 3/8-16 x 3/8"	61 778345	Spur Gear (25 teeth)
22 792079	Spring	65 780189	Washer
25 792073A	Screw 1/4-20 x 1-1/4"	66 776422	Input Shaft
25A 792177	Screw 1/4-20 X 1-3/8"	67 776396	Shifter & Brake Shaft
26 792125	Retaining Ring (pkg of 2)	69 792170	Retaining Ring
27 792035	Retaining Ring	70 786187	Spacer .890
28 788040	Retaining Ring	71 788069	Square Cut Ring
29 780072	Washer	71B 788092	"O" Ring
29A 780160	Washer	76 780090	Washer
29B 780051	Thrust Washer (.762 ID)	77 788078A	Inverted Retaining Ring
29C 780199	Anti-Rotation Washer	79 792144	Spring
30 780108	Washer	82 778333	Bevel & Spur Gear (30 & 13 teeth)
31 780001	Washer (.056 wide) (USE AS NEEDED)	83 778338	Spur Gear (27 teeth)
31A 780195	Flat Washer (.062 wide)	85 792154	Oil Fill Plug
32 788083	Oil Seal 5/8"	87 788089	Oil Seal 9/16"
34 780194	Bushing	150 788093A	Liquid Gasket RTV Silicone
35 780193	Flanged Bushing	157 788088	Oil Seal 3/4"
35A 780197	Flanged Bushing 3/4"	180 730229A	Gear Oil 80W90
36 790075	Brake Disk	900 — —	Replacement 206-508B Transaxle
37 790007	Brake Pad Plate		
38 799021	Brake Pad (pkg of 2)		
39 786026	Dowel Pin		
40 792076A	Flat Washer		

Parts must be ordered from Tecumseh Products Co.

NOTE: All component dimensions given in U.S. inches
1 inch = 25.4 mm