

R REPAIR PARTS
Model No. BA12R38A
Tractor



144197 1.31.94
PRINTED IN U.S.A.

HOW TO USE THIS MANUAL

This manual is designed to provide the customer with a means to identify the parts on his/her tractor when ordering repair parts. The illustrations may or may not represent the actual assemblies; therefore, it is not recommended to use this manual as a guide to assemble or disassemble the tractor. Some hardware and parts are drawn larger in order to more readily identify them.

Each tractor has its own model number.

The model number for your tractor can be found on the fender under the seat.

When ordering parts, always give the following information:

- Product - "Lawn Tractor"
- Model Number - "BA12R38A"
- Part Number
- Part Description

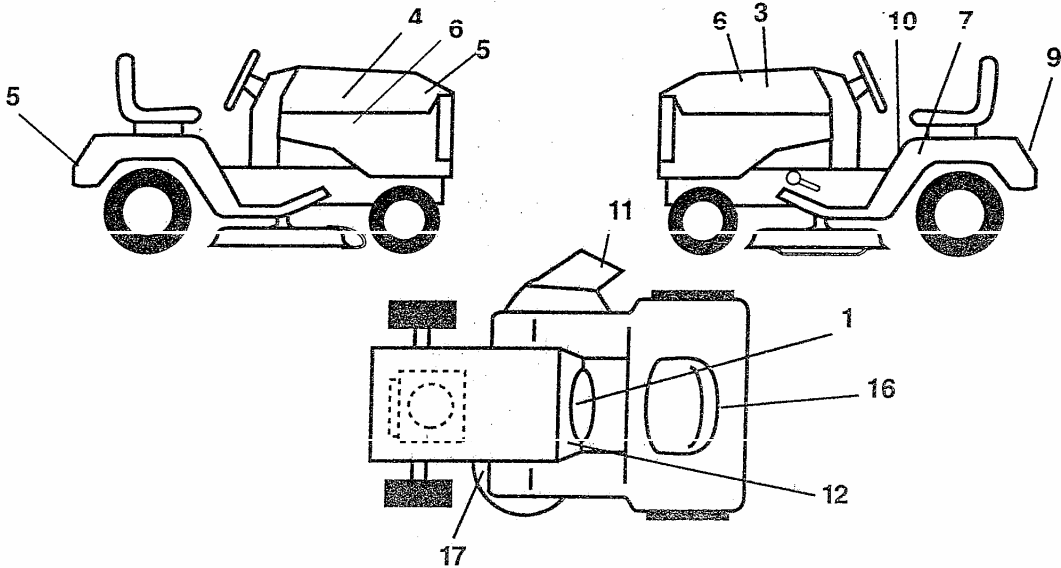
TABLE OF CONTENTS

RAKE/REAR MOWER LIFT ASSEMBLY	13
ASH	9
DECALS	3
ENGINE/THROTTLE	14
ELECTRICAL	4-5
FENDER/CHASSIS	6
FRONT AXLE	10
FRONT DRIVE	16
FOOD	7
MOWER LIFT LEVER	15
MOWER DECK	18-19
SEAT	8
VECTOR GEAR/AXLE SUPPORT	12
STEERING WHEEL	11
TRANSAXLE	17, 20-21

REPAIR PARTS

12 HP 38" TRACTOR -- MODEL NUMBER BA12R38A

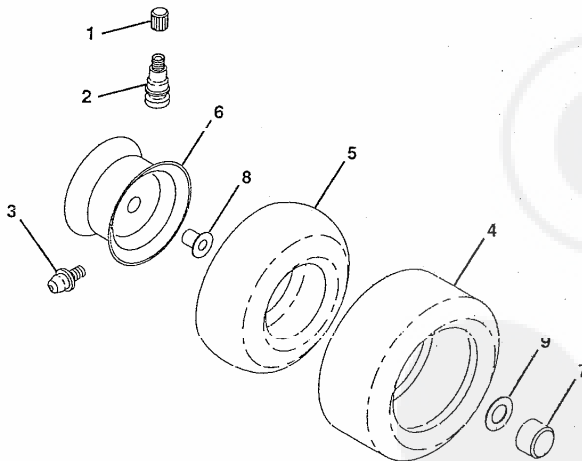
DECALS



KEY NO.	PART NO.	DESCRIPTION
1	138271	Decal, Operating
3	143989	Decal, Hood Stripe L.H.
4	143988	Decal, Hood Stripe R.H.
6	143507	Decal Side Panel
5	143504	Decal, Fender/Hood
7	135073	Height Indicator
9	125690X	Decal, 100 DBA
10	133795	Decal, Caution
11	137259	Decal, Warning, Deflector

KEY NO.	PART NO.	DESCRIPTION
12	143529	Decal, Dash
16	121549X	Decal, Caution Battery
17	136832	Decal, V-Belt Sch.
--	126194X	Decal, Caut. Def. E/Fr/Gr/Du
--	126347X	Decal, Warn. Def. Span/Ital
--	126348X	Decal, Inst Warn. Span/Ital
--	138270	Decal, Inst. Warn. Sw/Nor/Dan/Fin
--	138269	Decal, Inst. Oper. Eng/Fr
--	126193X	Decal, Warn. Def. Sw/Nor/Dan/Fin
--	138271	Decal, Inst. Warn. Fr/Gr./Eng./Dut
--	143686	Manual, Operator's
--	144197	Manual, Parts
--	MP38	Available accessories not included with tractor: Mulch Plate

WHEELS & TIRE



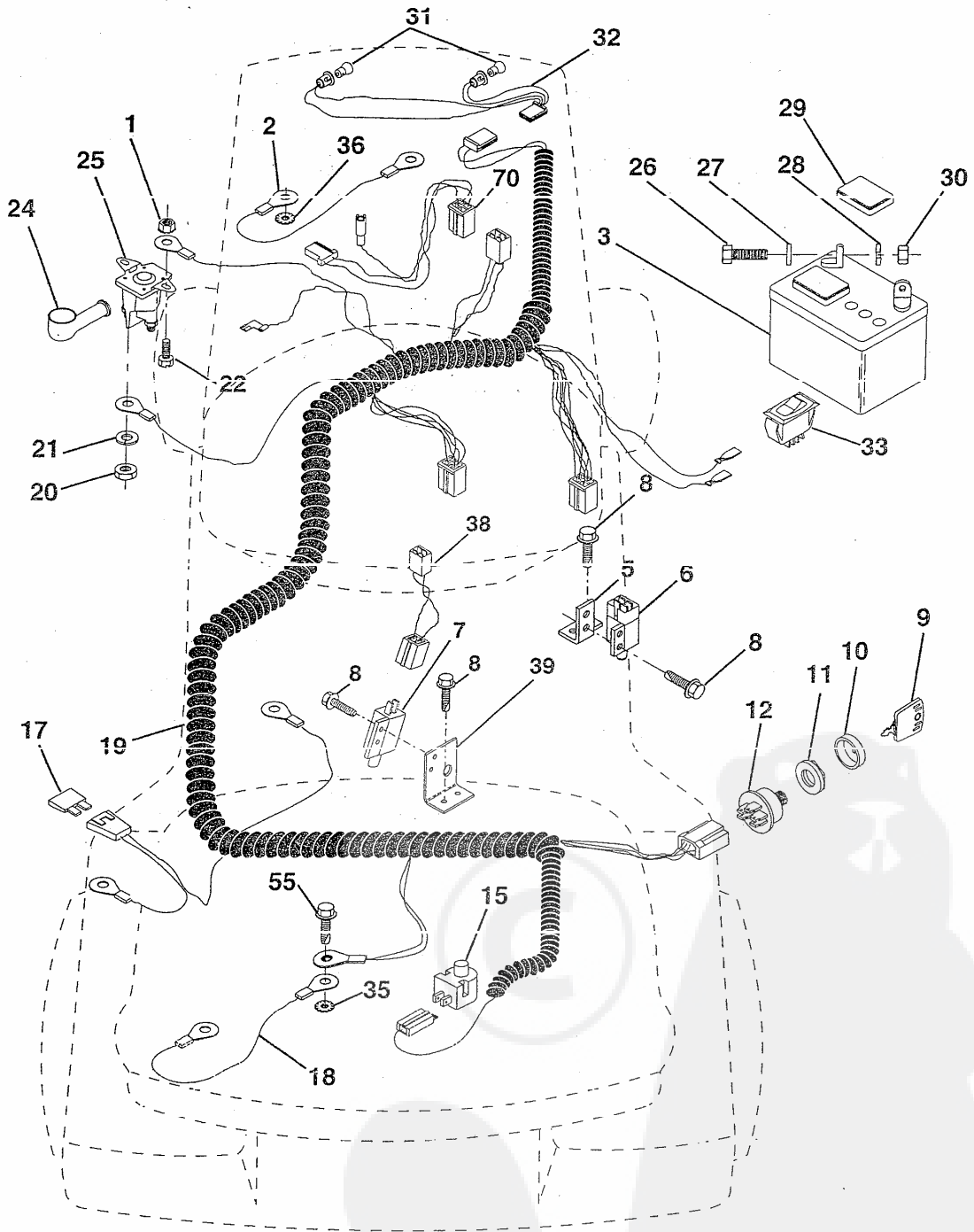
KEY NO.	PART NO.	DESCRIPTION
1	59192	Cap, Valve
2	65139	Stem, Valve
3	278H	Fitting, Grease
4	132703	Tire, Rear
	132696	Tire, Front
5	8134H	Tube, Rear (Opt. Serv. Items Only)
	59904	Tube, Front (Opt. Serv. Items Only)
6	137237X417	Rim, Front
	140325X417	Rim, Rear
7	104757	Cap, Axle
8	9040H	Bearing, Flange (Front Wheels Only)
9	121748X	Washer

HARDWARE SHOWN LARGER FOR EASIER IDENTIFICATION

REPAIR PARTS

12 HP 38" TRACTOR - - MODEL NUMBER BA12R38A

ELECTRICAL



REPAIR PARTS

12 HP 38" TRACTOR - - MODEL NUMBER BA12R38A

ELECTRICAL

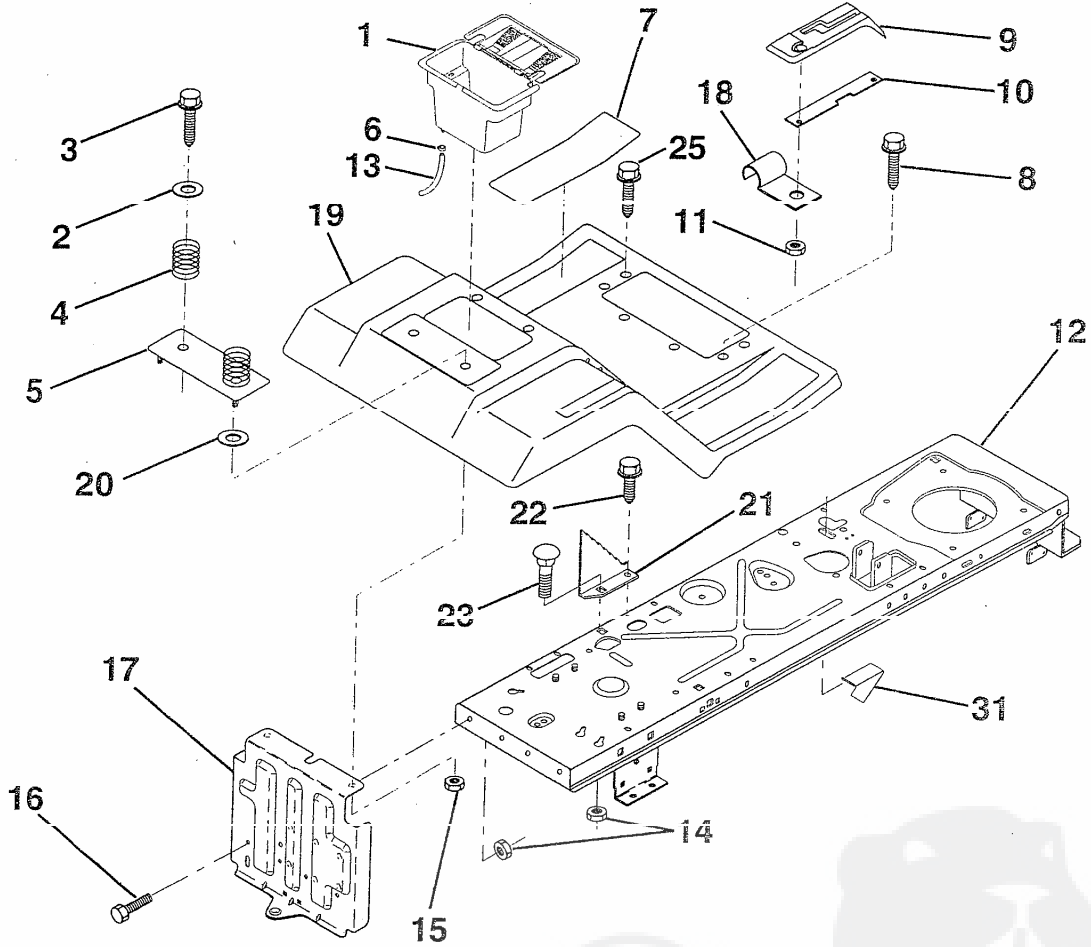
KEY NO.	PART NO.	DESCRIPTION
1	73510400	Nut, Hex Keps 1/4-20
2	108423X	Assembly, Cable
3	133909	Battery
5	108236X	Bracket, Switch
6	109553X	Switch, Interlock 4 terminal
7	104445X	Switch, Interlock 2 terminal
8	17021008	Screw, Tap Hex Hd.
9	140401	Key, Molded
10	141226	Cover, Key Ignition
11	140400	Nut, Ignition
12	140399	Switch, Ignition
14	7192J	Tie, Cable
15	121305X	Switch, Plunger
17	108824X	Fuse
18	128353X	Assembly, Cable
19	143132	Harness, Ignition
20	73350400	Nut, Hex Jam 1/4-20
21	10090400	Washer, Lock 1/4
22	74780408	Bolt, Fin Hex 1/4-20 UNC x 1/2 Gr. 5
24	131563	Cover, Terminal
25	138406	Solenoid
26	74760412	Bolt, Hex Hd. 1/4-20 UNC x 3/4
27	19091016	Washer 9/32 x 5/8 x 16
28	10040400	Washer, Lock 1/4
29	121264X	Cap, Battery
30	73220400	Nut, Fin Hex 1/4-20 UNC
31	4152J	Bulb Light
32	136850	Harness Asm Light
33	110712X	Switch Light
35	11050500	Washer, Lock Ext. Tooth 5/16
36	11150400	Washer Lock Int. Tooth 1/4
38	140660	Harness, Adapter
39	141735	Bracket Switch Clutch
55	17490508	Screw Thdrol 5/16 - 18 x 1/2
70	140413	Harness, Engine

HARDWARE SHOWN LARGER FOR EASIER IDENTIFICATION

REPAIR PARTS

12 HP 38" TRACTOR -- MODEL NUMBER BA12R38A

FENDER / CHASSIS



KEY NO.	PART NO.	DESCRIPTION
1	129965	Case, Battery
2	19132012	Washer 13/32 x 1-1/4 x 12 Gauge
3	17490612	Screw, Hex Wsh. Thrdrol. 3/8-16 x 3/4
4	124181X	Spring, Compression, Seat
5	127115X417	Plate, Asm. Battery
6	109596X	Clamp, Hose
7	134214	Pad, Footrest
8	17490512	Screw, Hex Wsh. Thrdrol. 5/16-18 x 3/4
9	126995X	Console, Shift Control
10	139783	Bar, Shift Lock
11	124346X	Nut, Self-Threading, Washer Head 3/16

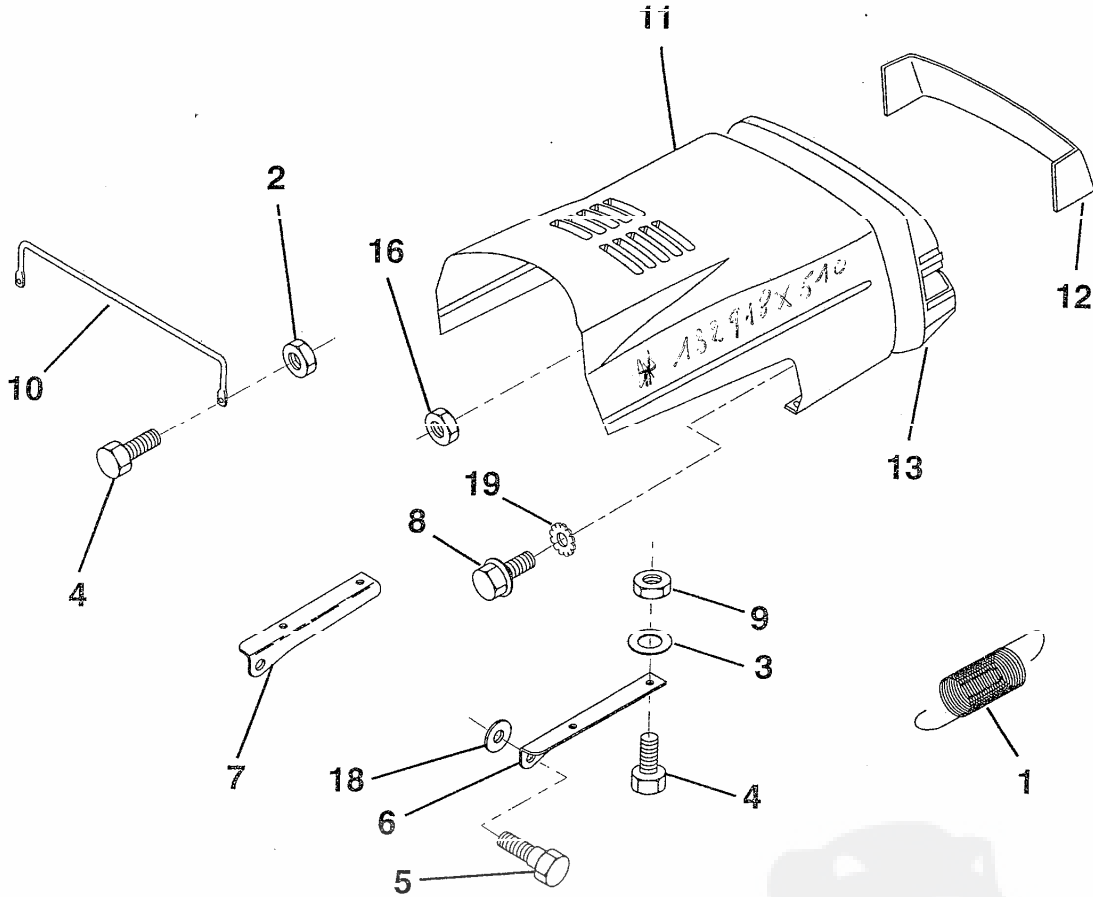
KEY NO.	PART NO.	DESCRIPTION
12	140784	Assembly, Frame
13	109238X	Tube, Battery Drain
14	73800500	Nut, Lock Hex w/Ins. 5/16 - 18
15	73510400	Nut, KEPS 1/4 - 20
16	74760512	Bolt, Hex Hd. 5/16-18 UNC x 3/4
17	140782	Drawbar
18	126470X	Clip, Insulated
19	140956X417	Fender/Footrest
20	19091413	Washer 9/32 x 7/8 x 13 Ga.
21	140297	Plate Stop Depth
22	17490508	Screw Thrdrol 5/16-18 x 1/2
23	72110506	Bolt Rdhd Sqnk 5/16 18 x 3/4
25	17490516	Screw Hx Wsh Thd Rol 5/16-18x1
31	141736	Switch Actuator

HARDWARE SHOWN LARGER FOR EASIER IDENTIFICATION

REPAIR PARTS

12 HP 38" TRACTOR -- MODEL NUMBER BA12R38A

HOOD



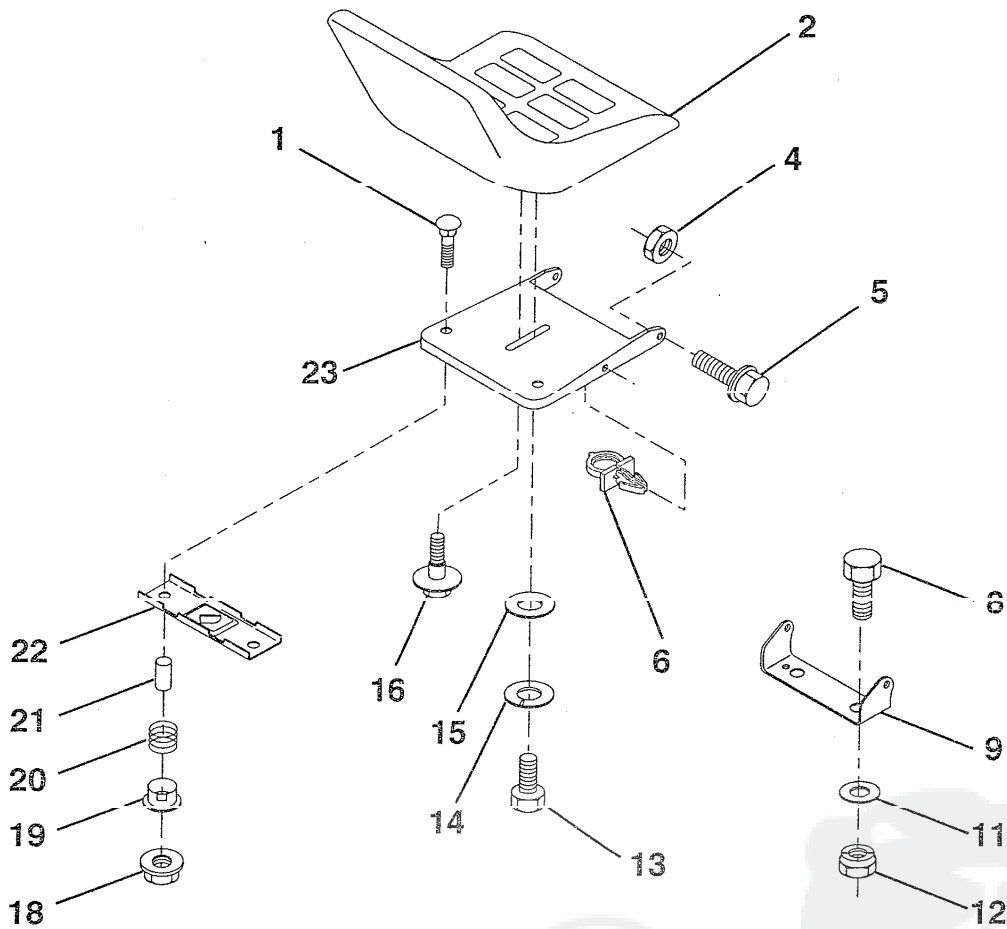
KEY NO.	PART NO.	DESCRIPTION	KEY NO.	PART NO.	DESCRIPTION
1	124657X	Extension, Spring	9	73800400	Nut, Lock w/insert 1/4-20 Unc
2	73510400	Nut, Hex, Keps 1/4-20	10	123693X	Brace, Hood
3	19091416	Washer 9/32 x 7/8 x 16 Ga.	11	132918X540	Hood
4	74780412	Bolt, Hex Fin. 1/4-20 x 3/4 Gr. 5	12	140113	Lens, Plate, Grill
5	126675X	Bolt, Shoulder	13	140111	Grill
6	122549X	Bracket, Hood R. H.	16	124346X	Nut, Self Thd.
7	122548X	Bracket, Hood L.H.	18	19111116	Washer 11/32 x 11/16 x 16 Ga.
8	17521312	Screw, Std Hx Hd w/Pl Washer	19	11030400	Washer Lock 1/4 Int/Ext Tooth

HARDWARE SHOWN LARGER FOR EASIER IDENTIFICATION

REPAIR PARTS

12 HP 38" TRACTOR -- MODEL NUMBER BA12R38A

SEAT



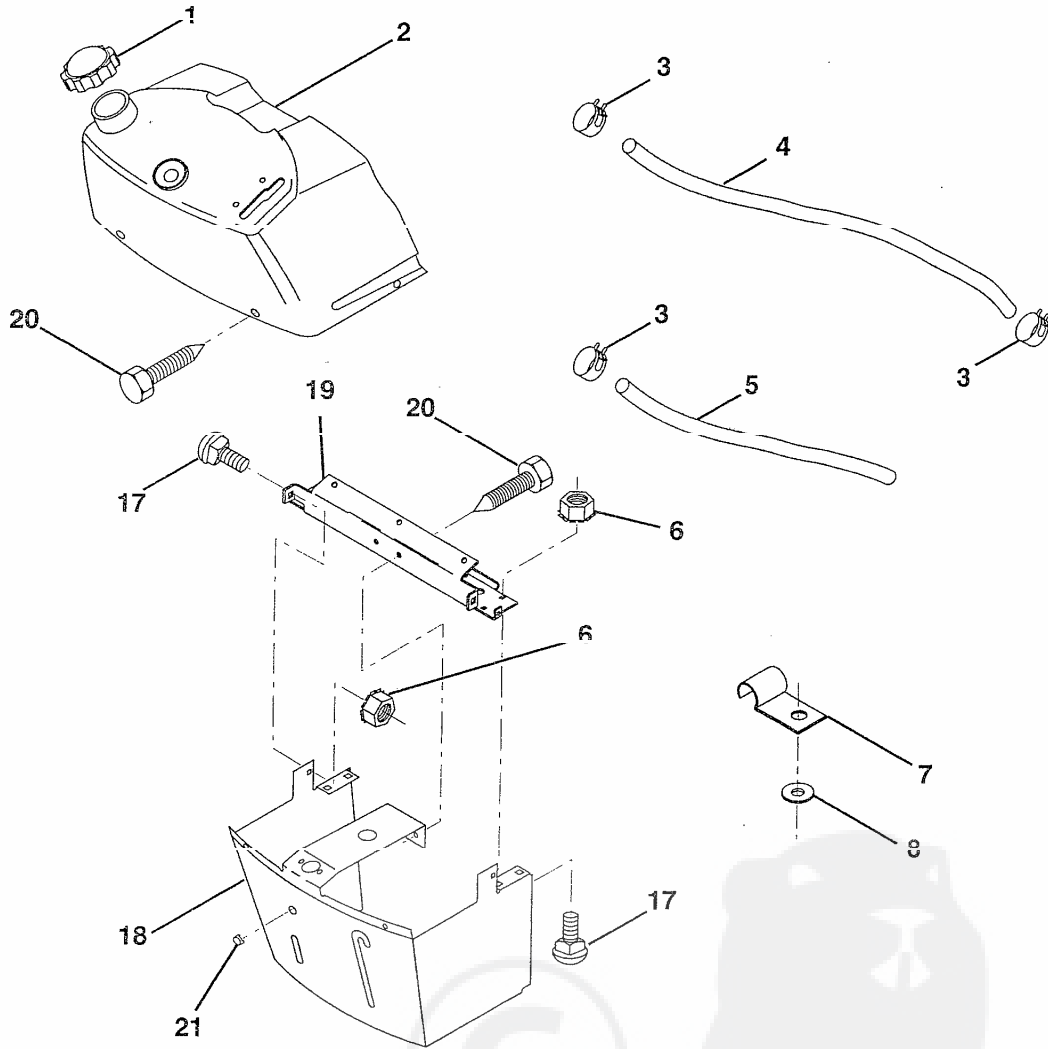
EY O.	PART NO.	DESCRIPTION	KEY NO.	PART NO.	DESCRIPTION
1	72050411	Bolt, Carriage 1/4-20 x 1-3/8	14	10040800	Washer, Lock Hvy Helical Spring
2	127426	Seat	15	19171912	Washer, 17/32 x 1-3/16 x 12 Ga.
4	73800500	Nut, Lock Hex w/Ins 5/16-18	16	127018X	Bolt, Shoulder
5	139888	Bolt, Shoulder 5/16-18 UNC	18	123976X	Nut, Hex Large Flange Lock
6	140407	Clip, Push-In	19	121248X	Bushing, Snap
8	74760616	Bolt, Fin Hex 3/8-16 UNC x 3/4	20	121250X	Spring, Compression
9	140551	Bracket, Pivot Seat	21	134300	Spacer, Split 28 Id. x .96 Lg.
1	19133210	Washer 12/32 x 3/4 x 10 Ga.	22	121246X	Bracket, Switch, Mounting
2	73800600	Nut, Lock Hex w/Wsh 3/8-16 UNC	23	140552	Pan, Seat
3	74780814	Bolt, Fin Hex 1/2-13 UNC x 7/8 Gr. 5			

HARDWARE SHOWN LARGER FOR EASIER IDENTIFICATION

REPAIR PARTS

12 HP 38" TRACTOR - - MODEL NUMBER BA12R38A

DASH



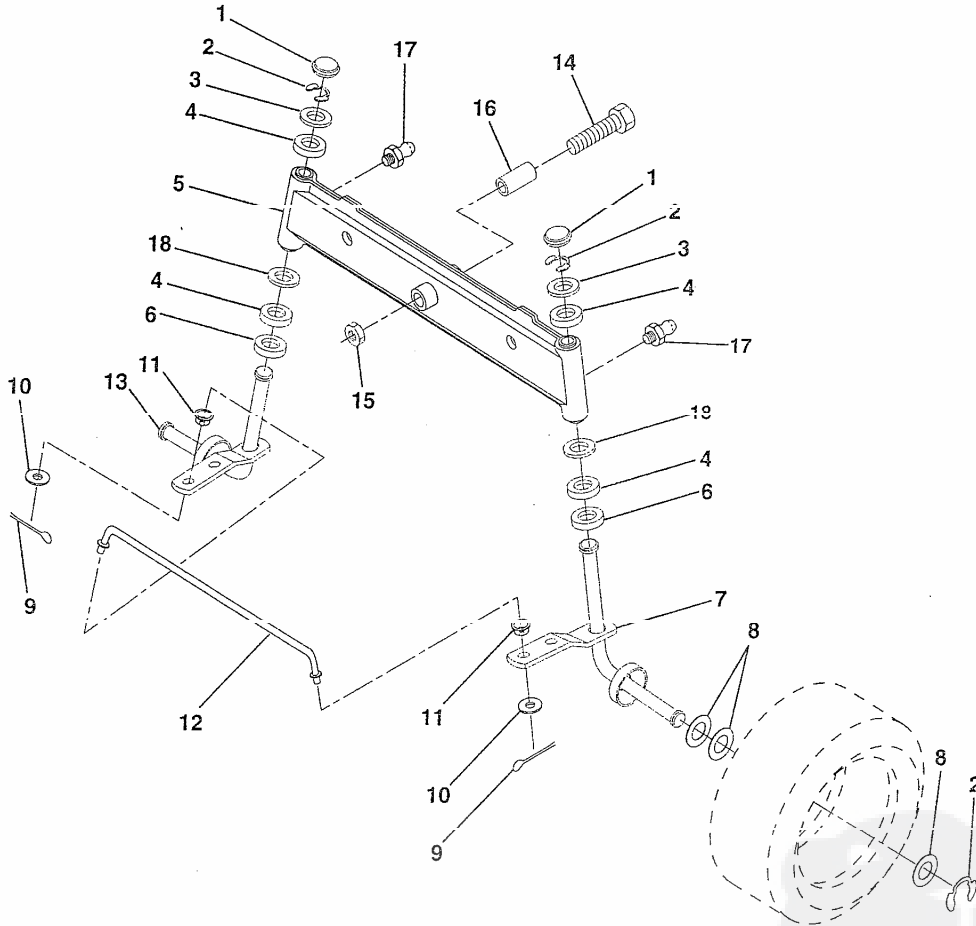
KEY NO.	PART NO.	DESCRIPTION	KEY NO.	PART NO.	DESCRIPTION
1	141523	Cap, Fuel	8	19091216	Washer 9/32 x 3/4 x 16 Ga.
2	138392	Assembly, Dash & Fuel Tank	17	72110404	Bolt, Carriage 1/4-20 x 1/2 Gr. 5
3	123487X	Clamp, Hose	18	131886	Support Assembly, Dash
4	8544R	Line, Fuel	19	134744	Brace, Cross
5	8548R	Line, Fuel	20	17060408	Screw, Self-Tapping 1/4-20 x 1/2
6	73510400	Nut, Hex, Keps 1/4-20	21	134014	Plug Dome Blk
7	2751R	Clip, Fuel Line			

HARDWARE SHOWN LARGER FOR EASIER IDENTIFICATION

REPAIR PARTS

12 HP 38" TRACTOR -- MODEL NUMBER BA12R38A

FRONT AXLE



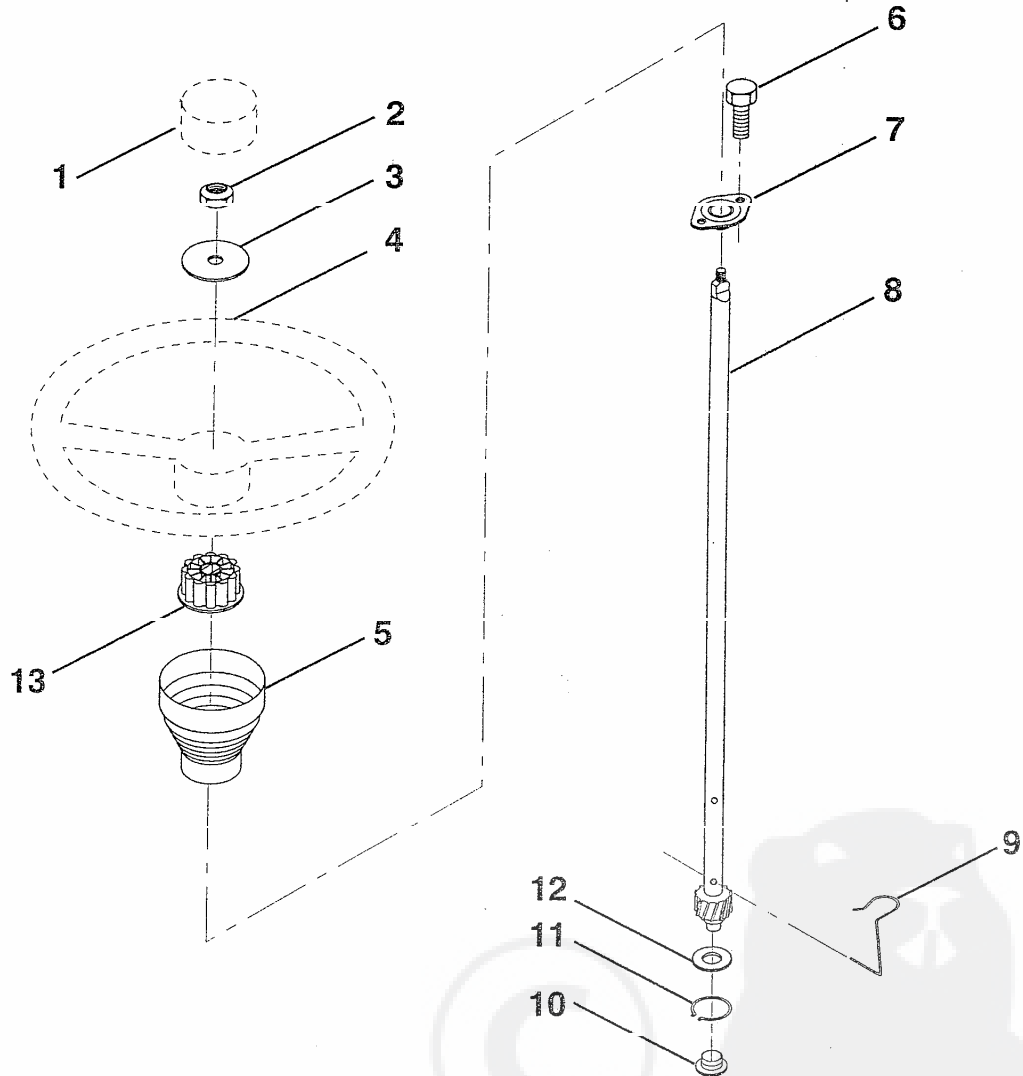
KEY NO.	PART NO.	DESCRIPTION	KEY NO.	PART NO.	DESCRIPTION
	121232X	Cap, Spindle	10	19131316	Washer 13/32 x 13/16 x 16 Ga.
	12000029	Ring, Clip	11	12684/X	Bushing
	121748X	Washer 25/32 x 1-5/8 x 16 Ga.	12	130465	Rod, Tie
	3366R	Bearing Col Strg Blk	13	137061	Spindle, L.H. Asm.
	142033	Axle, Front	14	74011056	Bolt Hex 5/8-11 x 3-1/2
	6266H	Bearing, Thrust	15	73901000	Locknut Flange 5/8-11
	137062	Spindle, R.H. Asm.	16	110438X	Spacer Bearing Axle Front
	121749X	Washer 25/32 x 1-1/4 x 16 Ga.	17	6655M	Filling Grease
	76020412	Pin, Cotter 1/8 x 3/4	18	19272016	Washer 27/32 x 1-1/4 x 16 Ga.

HARDWARE SHOWN LARGER FOR EASIER IDENTIFICATION

REPAIR PARTS

12 HP 38" TRACTOR - - MODEL NUMBER BA12R38A

STEERING WHEEL



KEY NO.	PART NO.	DESCRIPTION
1	140045	Insert, Wheel, Steering
2	7810H	Nut, Lock 3/8-24 UNF
3	19133808	Washer 12/32 x 2-3/8 x 8 Ga.
4	140044	Wheel, Steering
5	121897X	Sleeve, Steering
6	17431008	Screw, Hex #10-16 x 1/2 TY-B
7	102803X	Bushing, Steering

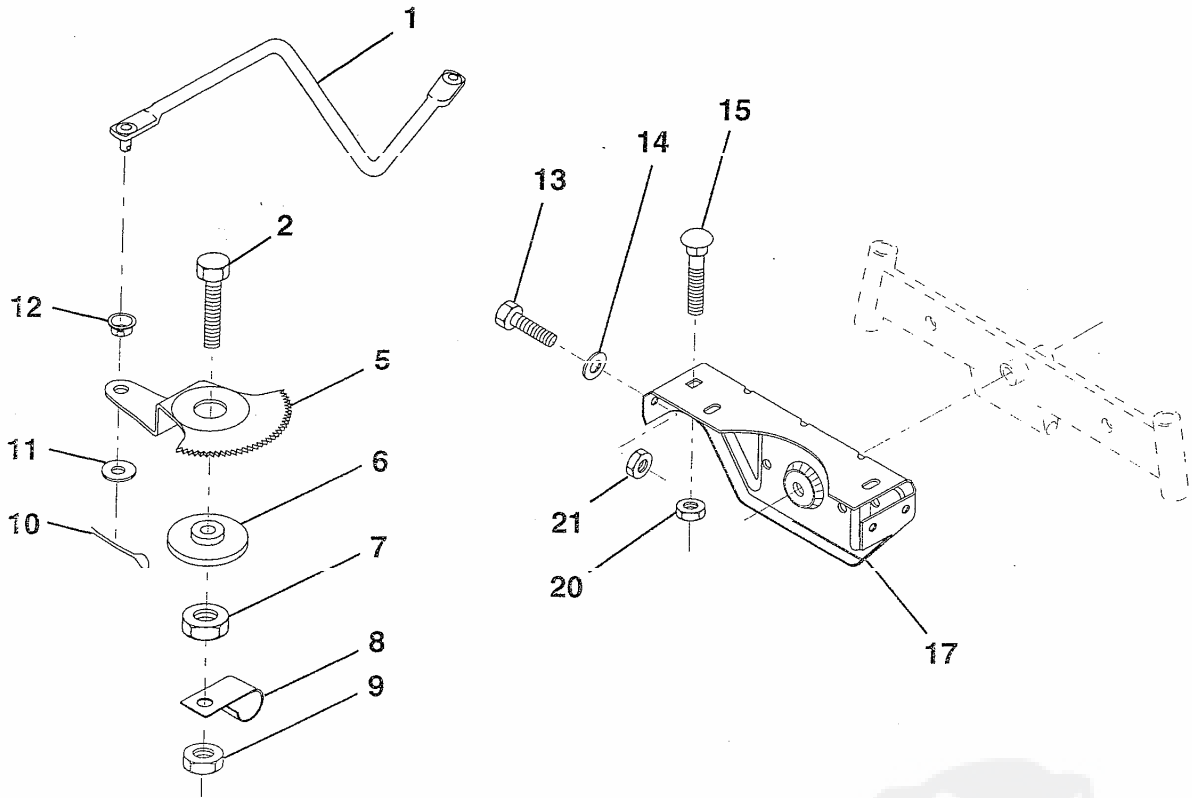
KEY NO.	PART NO.	DESCRIPTION
8	123651X	Shaft, Steering
9	124210X	Clip, Steering
10	123438X	Bushing, Lower, Steering
11	12000045	Ring, Retaining
12	19211616	Washer 21/32 x 1 x 16 Ga.
13	104820X	Adaptor, Wheel, Steering

HARDWARE SHOWN LARGER FOR EASIER IDENTIFICATION

REPAIR PARTS

12 HP 38" TRACTOR - - MODEL NUMBER BA12R38A

SECTOR GEAR / AXLE SUPPORT



KEY NO.	PART NO.	DESCRIPTION
1	132566	Link, Drag
2	74780828	Bolt, Fin Hex 1/2-13 x 1-3/4
3	121926X	Gear, Sector
3	121927X	Bushing
7	73030800	Nut, Heavy Hex Top Lock 1/2-13 UNC
8	126472X	Clip, Insulated
8	73680800	Nut, Crownlock 3/8-16
10	76020412	Pin, Cotter 1/8 x 3/4

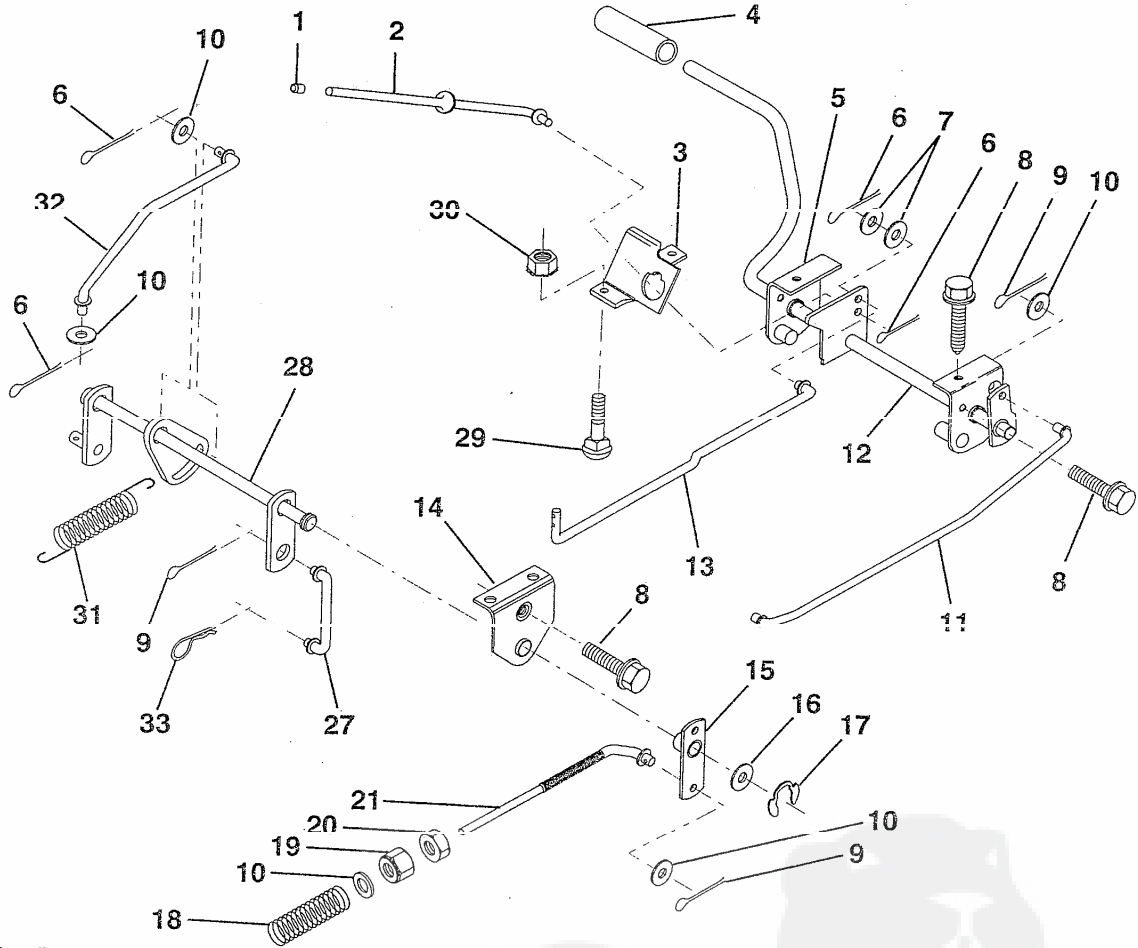
KEY NO.	PART NO.	DESCRIPTION
11	19131316	Washer, 13/32 x 13/16 x 16 Ga.
12	126847X	Bushing
13	74760512	Bolt, Hex Hd. 5/16-18 UNC x 3/4
14	19111416	Washer 11/32 x 7/8 x 16 Ga.
15	72110606	Bolt, Carriage 3/8-16 UNC x 3/4
17	137096	Support, Front Axle
20	73800600	Nut, Lock Hex w/wsh 3/8-16 UNC
21	73800500	Nut, Lock Hex w/Ins 5/16-18

HARDWARE SHOWN LARGER FOR EASIER IDENTIFICATION

REPAIR PARTS

12 HP 38" TRACTOR - - MODEL NUMBER BA12R38A

BRAKE / REAR MOWER LIFT ASSEMBLY



KEY NO.	PART NO.	DESCRIPTION
1	71673	Cap, Plunger
2	123436X	Rod, Parking Brake
3	123437X	Bracket, Parking Brake
4	8883R	Cover, Pedal
5	132205	Bracket, Clutch/Brake Pedal, L.H.
6	76020312	Pin, Cotter 3/32 x 3/4
7	19131016	Washer 13/32 x 5/8 x 16 Gauge
8	17490508	Screw, Hex Head, Thd., Roll 5/16-18 x 1/2
9	76020412	Pin, Cotter 1/8 x 3/4
10	19131316	Washer 13/32 x 13/16 x 16 Gauge
11	123543X	Rod, Brake, Front
12	139934	Assembly, Clutch/Brake Pedal
13	123394X	Rod, Clutch

KEY NO.	PART NO.	DESCRIPTION
14	121978X	Bracket, Lift Shaft
15	133332	Assembly, Brake, Pivot, Arm
16	19251816	Washer 25/32 x 1-1/8 x 16 Gauge
17	12000034	Ring, Klip
18	106888X	Spring, Brake Rod
19	73800600	Nut Lock Hex w/Wsh 3/8-16
20	73350600	Nut, Hex, Jam 3/8-16 UNC
21	131460	Rod, Brake, Rear
27	136780	Link, Lift Rear
28	140777	Assembly, Rear Mower Lift
29	72110506	Bolt, Carriage 5/16-18 UNC x 3/4
30	73510500	Nut, Hex, Keps 5/16-16 UNC
31	133095	Spring, Counterbalance
32	133721	Link, Lift Lever
33	4939M	Spring, Retainer

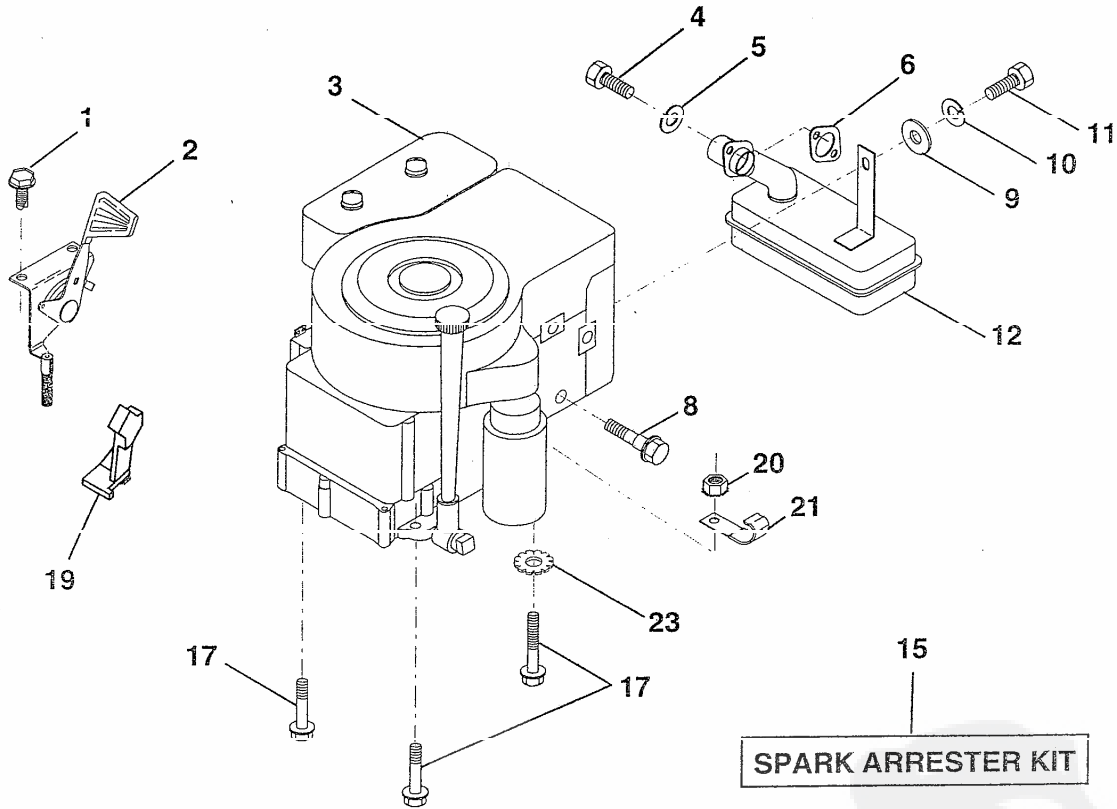
NOTE: All component dimensions given in U.S. inches
1 inch = 25.4 mm

HARDWARE SHOWN LARGER FOR EASIER IDENTIFICATION

EPAIR PARTS

12 HP 38" TRACTOR - - MODEL NUMBER BA12R38A

ENGINE / THROTTLE



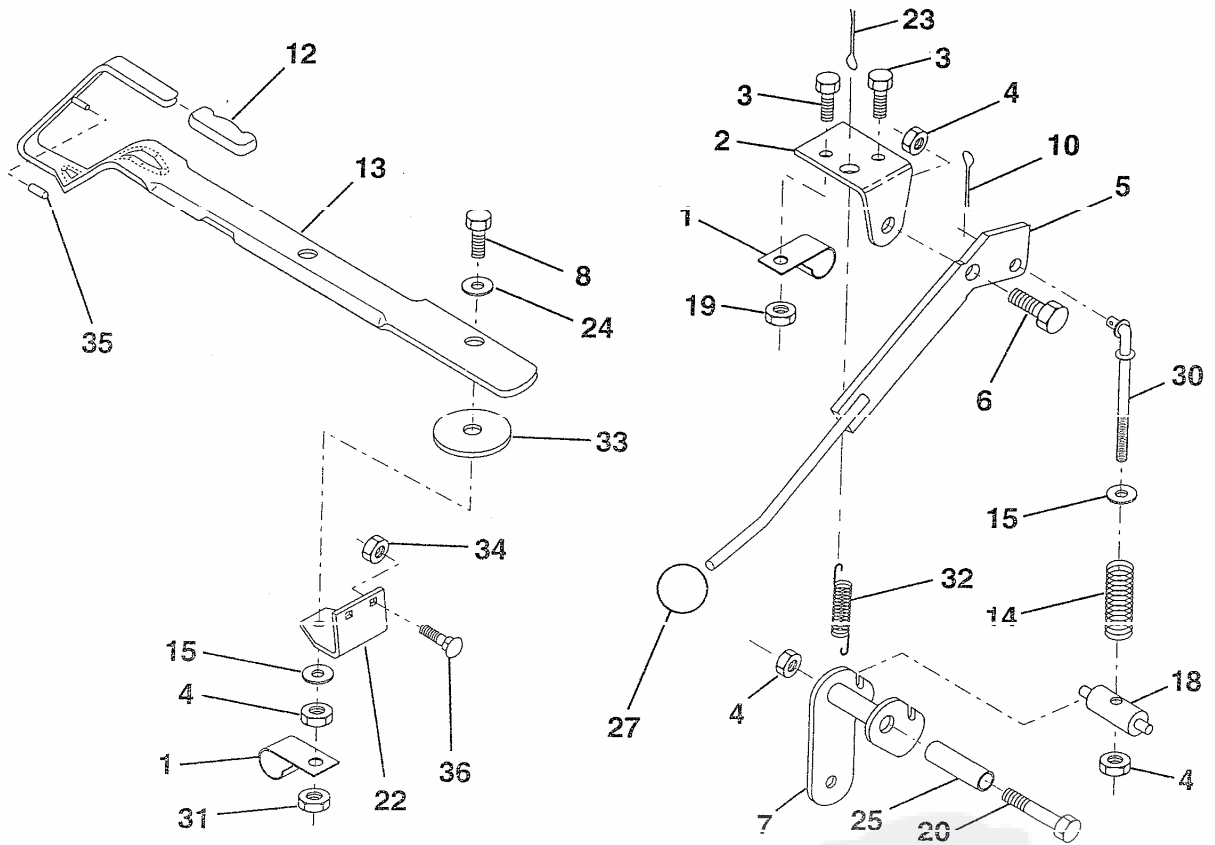
KEY NO.	PART NO.	DESCRIPTION	KEY NO.	PART NO.	DESCRIPTION
	17060408	Screw, Hex Thd. Cut 1/4-20 x 1/2	10	10040400	Washer, Lock Heavy Helical Spring 1/4
	133025	Control, Throttle	11	-----	Bolt, Hex (Order from B & S)
	-----	Engine, Briggs and Stratton Model No. 283707	12	137437	Muffler
	71070512	Screw, Hex, Cap 5/16-18 x 3/4	15	137180	Arrester, Spark (Optional equipment)
	10040500	Washer, Lock Heavy Helical Spring 5/16	17	17490624	Screw, Hex Wsh Hd Thdrol 3/8-16 x 1-1/2
	125593X	Gasket, Exhaust	19	127951	Stop, Throttle
	121094X	Bolt, Shoulder 5/16	20	73510600	Nut Keps Hex 3/8 - 16
	19101216	Washer 5/16 x 3/4 x 16	21	2751R	Clip Line Fuel
			23	11050600	Washer Lock Exl Tooth 3/8

HARDWARE SHOWN LARGER FOR EASIER IDENTIFICATION

REPAIR PARTS

12 HP 38" TRACTOR -- MODEL NUMBER BA12R38A

MOWER LIFT LEVER



KEY NO.	PART NO.	DESCRIPTION
1	126470X	Clip, Insulated
2	122018X	Bracket, Mower Clutch
3	74780408	Bolt, Hex Head, Fin. 1/4-20 UNC x 1/2 Grade 5
4	73800600	Nut, Lock Hex w/Wsh 3/8-16 UNC
5	132552	Assembly, Clutch Lever
6	106451X	Bolt, Shoulder
7	141435	Assembly, Mower Clutch Arm
8	74930624	Bolt, Hex Head 3/8-16 UNC x 1-1/2
10	76020412	Pin, Cotter 1/8 x 3/4
12	122027X	Handle, Lift Lever
13	136658	Assembly, Lift Handle
14	133939	Spring, Compression
15	19131616	Washer 13/32 x 1 x 11 Gauge
18	135107	Trunnion, Threaded 3/8 16

KEY NO.	PART NO.	DESCRIPTION
19	73680400	Nut, Crownlock 1/4-20
20	74760644	Bolt, Hex Head, Fin. 3/8-16 UNC x 2-3/4
22	132561	Bracket, Lift Lever
23	76020312	Pin, Cotter 3/32 x 3/4
24	7672J	Washer 25/64 x 1-1/4 x 12 Gauge
25	121933X	Tube, Spacer
27	106932X	Knob
30	135039	Rod, Tension, Clutch
31	73930600	Nut, Centerlock
32	133435	Spring, Extension, Return
33	62333	Washer
34	73800500	Nut, Lock Hex w/Ins 5/16-18
35	133603	Cap, Vinyl, Red
36	72140506	Bolt, Carriage 5/16-18 x 3/4

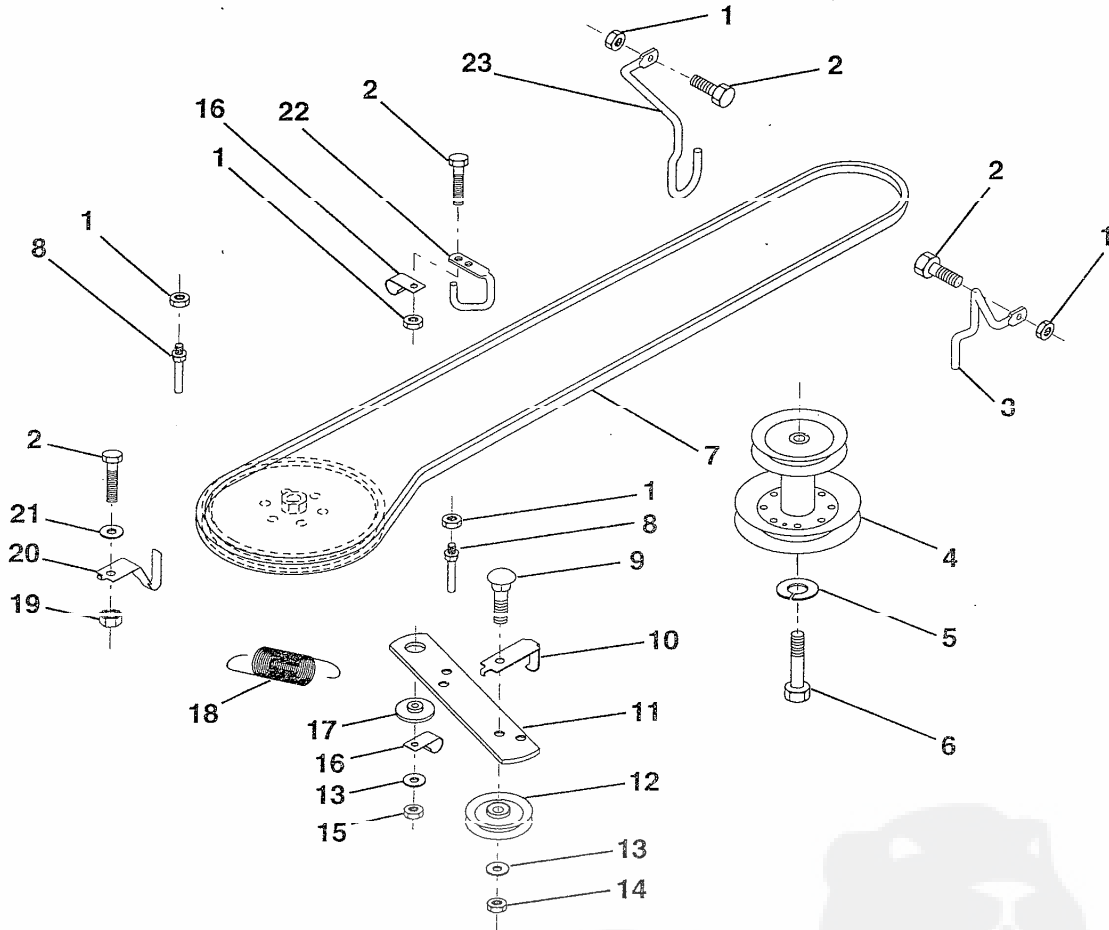
NOTE: All component dimensions given in U.S. inches
1 inch = 25.4 mm

HARDWARE SHOWN LARGER FOR EASIER IDENTIFICATION

REPAIR PARTS

12 HP 38" TRACTOR -- MODEL NUMBER BA12R38A

GROUND DRIVE



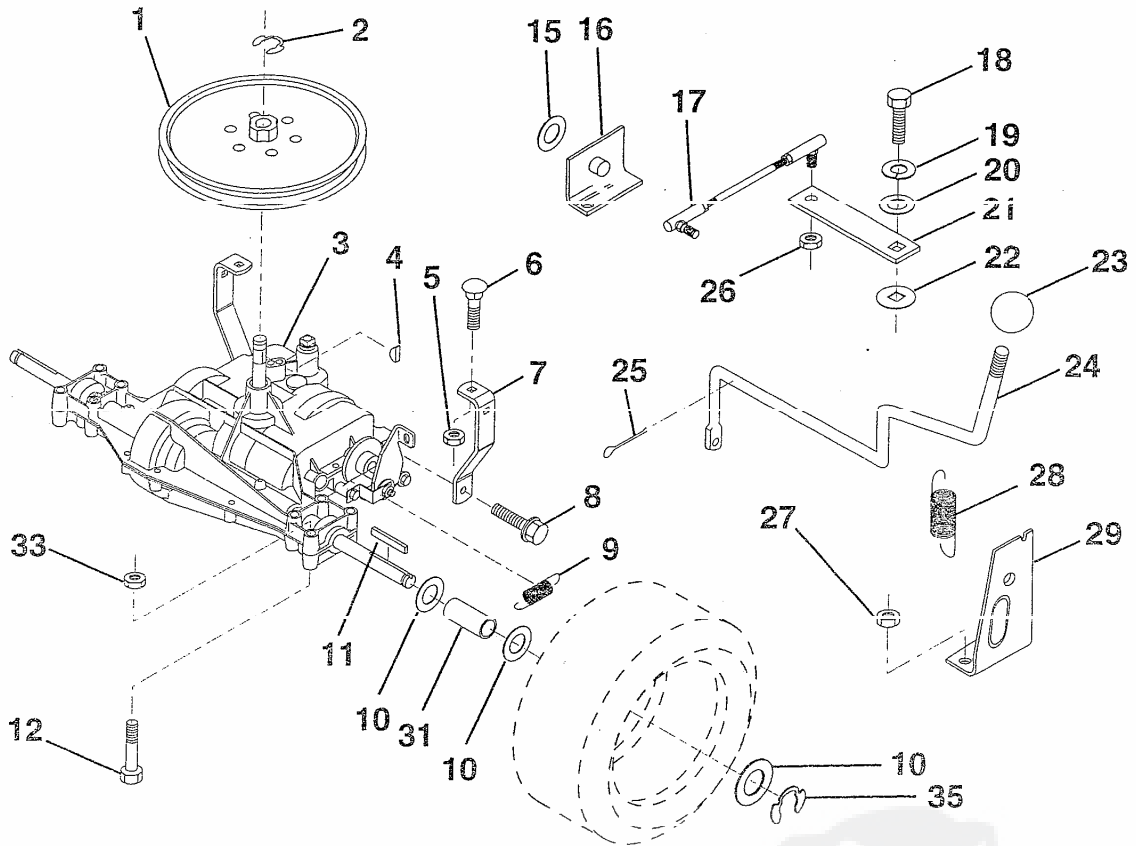
KEY NO.	PART NO.	DESCRIPTION	KEY NO.	PART NO.	DESCRIPTION
1	73800500	Nut, Crownlock 5/16-18	12	123674X	Idler, Flat
2	74760512	Bolt, Hex Hd 5/16-18 UNC x 3/4	13	19131316	Washer 13/32 x 13/16 x 16 Ga.
3	141341	Keeper, Mower Drive, R. H.	14	73930600	Nut, Lock Hex w/Wsh 3/8-16 UNC
4	138029	Pulley, Engine	15	73800600	Nut, Lock Hex w/Wsh 3/8-16 UNC
5	10040700	Washer, Lock 7/16	16	126472X	Clip, Insulated
6	71170744	Bolt Hex 7/16-20 Gr. 5	17	122052X	Spacer, Retainer
7	124525X	Traction, V-Belt Drive	18	131459	Spring Extension
8	123405X	Keeper, T/A Ground Drive Belt	19	73510500	Nut, Keps 5/16-18 UNC
9	72140612	Bolt, Carr. 3/8-16 UNC x 1-1/2	20	139919	Keeper, T/A Rear
10	123396X	Keeper, Belt Ground Drive Idler	21	19111016	Washer 11/32 x 5/8 x 16 Ga.
11	140911	Arm, Ground Drive Clutch	22	123404X	Keeper, Frame Ground Drive Belt
			23	142240	Keeper Belt LH Front

HARDWARE SHOWN LARGER FOR EASIER IDENTIFICATION

REPAIR PARTS

12 HP 38" TRACTOR -- MODEL NUMBER BA12R38A

TRANSAXLE



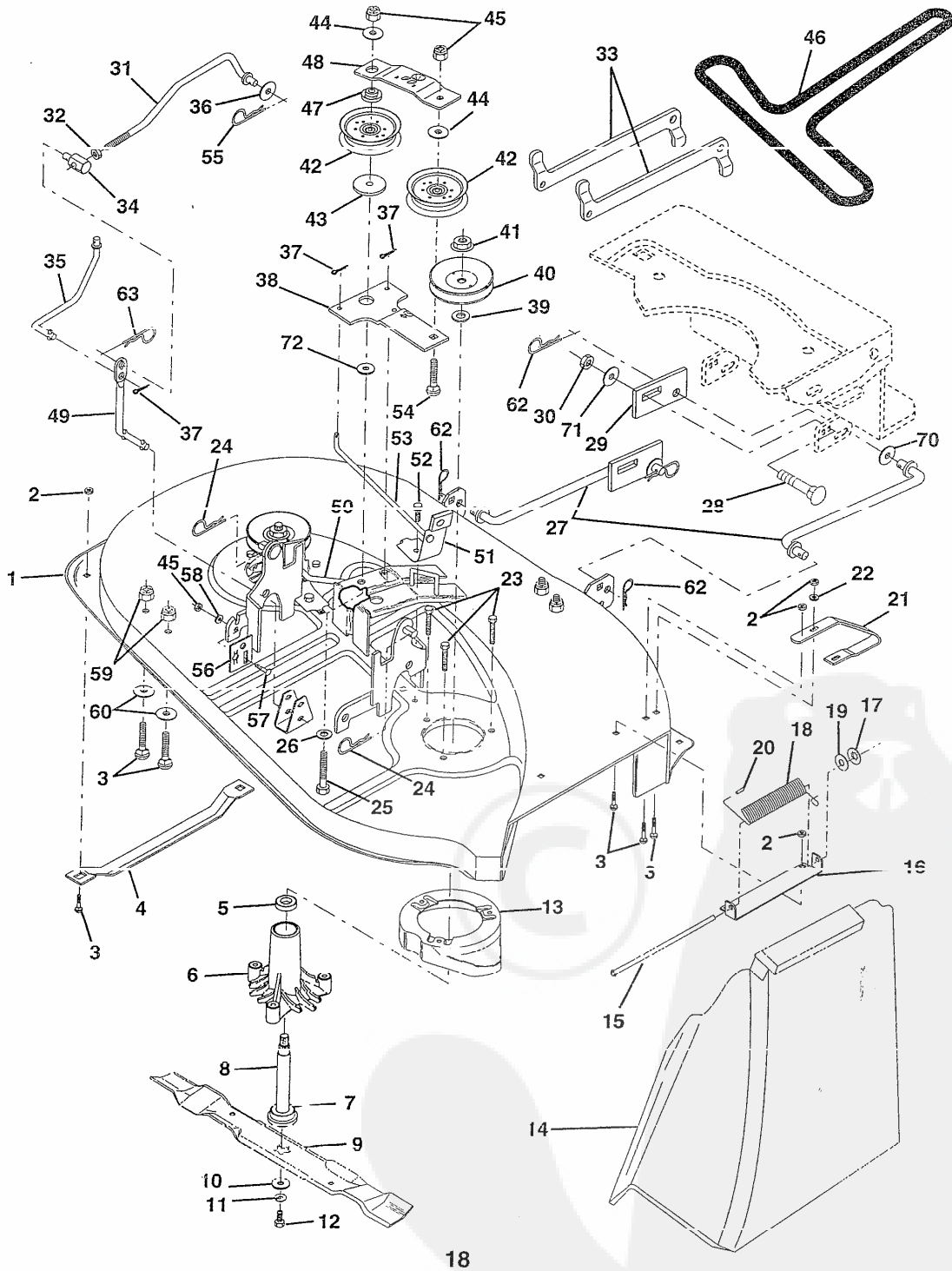
KEY NO.	PART NO.	DESCRIPTION	KEY NO.	PART NO.	DESCRIPTION
1	123385X	Pulley	17	123632X	Link, Shift
2	12000028	Ring, Retainer	18	71040412	Bolt, Fin Hex
3	142603	Transaxle, Dana 6-Speed Model # D4360-79	19	10040400	Washer, Lock 1/4
4	2228M	Key, Woodruff #9	20	19091210	Washer 9/32 x 3/4 x 10 Ga.
5	73800500	Nut, Lock Hex w/Ins 5/16-18	21	123539X	Arm, Shift
6	72140506	Bolt, Carriage 5/16-18 UNC x 3/4	22	105701X	Washer, Shift Plate
7	123378X	Strap, Torque	23	106933X	Knob
8	17490512	Screw 5/16-18 x 3/4	24	128215	Shift Rod
9	110422X	Spring, Brake	25	76020416	Pin, Cotter 1/8 x 1
10	121749X	Washer 25/32 x 1-1/4 x 16 Ga.	26	73810500	Nut, Hex Nylon
11	123583X	Key, Square	27	73510500	Nut, Keps 5/16-18
12	74760644	Bolt, Fin Hex 3/8-16 x 2-3/4	28	128085	Extension, Spring
15	19171616	Washer 17/32 x 1 x 16 Ga.	29	128084	Support Handle Shift RH
16	124600X	Support Handle Shift LH	31	109502X	Spacer, Split
			33	73800600	Nut, Lock Hex w/Wsh 3/8-16
			35	12000001	E-Ring

HARDWARE SHOWN LARGER FOR EASIER IDENTIFICATION

REPAIR PARTS

12 HP 38" TRACTOR -- MODEL NUMBER BA12R38A

LOWER DECK



REPAIR PARTS

12 HP 38" TRACTOR - - MODEL NUMBER BA12R38A

MOWER DECK

KEY NO.	PART NO.	DESCRIPTION	KEY NO.	PART NO.	DESCRIPTION
1	142830	Mower Deck Assembly	34	133604	Trunnion 3/8 16
2	73800500	Nut, Lock Hex w/Ins 5/16-18	35	132554	Clutch Rod, Secondary
3	72140506	Bolt, Carriage 5/16-18 x 3/4	36	19131316	Washer 13/32 x 13/16 x 16 Gauge
4	7631J	Runner, L.H.	37	76020312	Pin, Cotter 3/32 x 3/4
5	110485X	Bearing	38	133840	Idler Arm
6	128774	Housing, Mandrel	39	129963	Washer .150 Thick
7	129895	Bearing	40	129206	Pulley, Mandrel
8	137645	Shaft and Bearing Assembly, Mandrel (Includes Key Number 7)	41	137266	Nut, Flangelock 9/16
9	134148	Blade, 38" Mulching	42	121316X	Pulley, Flat Idler
10	14029C	Washer, Hardened	43	122052X	Spacer, Retainer
11	10030600	Washer, Lock 3/8	44	19131612	Washer 13/32 x 1 x 12 Gauge
12	850857	Bolt, Hex 3/8-24 x 1-1/4 Grade 8	45	73800600	Nut, Lock Hex w/Wsh 3/8-16
13	136929	Stripper, Mower, Vented	46	126520X	Belt
14	106736X	Shield, Deflector	47	133502	Spacer, Idler Arm
15	106735X	Rod, Hinge	48	133503	Stiffener, Idler Arm
16	137607X	Bracket Assembly, Deflector	49	133551	Rod, Pivot
17	110452X	Pushnut	50	131289	Rod, Brake, L.H.
18	123713X	Spring, Deflector	51	130840	Brake Assembly
19	19111016	Washer 11/32 x 5/8 x 16 Gauge	52	17490512	Screw, Hex Washer Head, Thd..
20	105304X	Cap, Sleeve	53	131288	Holl. 5/16-18 x 3/4
21	128772	Runner, R.H.	54	72110614	Rod, Brake, R.H.
22	19111216	Washer 11/32 x 3/4 x 16 Gauge			Bolt, Carriage 3/8-16 x 1-3/4 Grade 5
23	17580520	Bolt 5/16-18 x 1.25	55	4921H	Spring, Retainer
24	4939M	Retainer, Spring	56	136782	Plate Adj. Link Rear LH
25	74600636	Bolt, Carriage 3/8-16 x 2-1/4	57	72140608	Bolt Rdhd Sqnk 3/8-16 Unc x 1
26	19131612	Washer 13/32 x 1 x 12 Gauge	58	19131212	Washer 13/32 x 3/4 x 12 Ga.
27	139756	Link Assembly, Front	59	73800500	Locknut Hex w/Ins. 5/16-18
28	72140608	Bolt, Rdhd Sqnk 3/8 - 16 x 1	60	19111112	Washer 11/32 x 11/16 x 16 Ga.
29	139757	Plate Slide Link	62	3146R	Retainer Spring
30	73800600	Nut, Lock Hex w/Washer 1/2-13 UNC	63	4497H	Spring, Retainer
31	140915	Clutch Rod, Primary	70	19162016	Washer 1/2 x 1-1/4 x 16 Ga.
32	73350600	Nut, Hex, Jam 3/8-16	71	19131610	Washer Flat 13/32 x 1 x 10 Ga.
33	132559	Arm, Suspension, Rear	72	133943	Washer Hardened
			--	130794	Mandrel Assembly (Includes Key Numbers 5-8, 10-12, 39 and 41)
			--	142862	Mower Deck, Complete

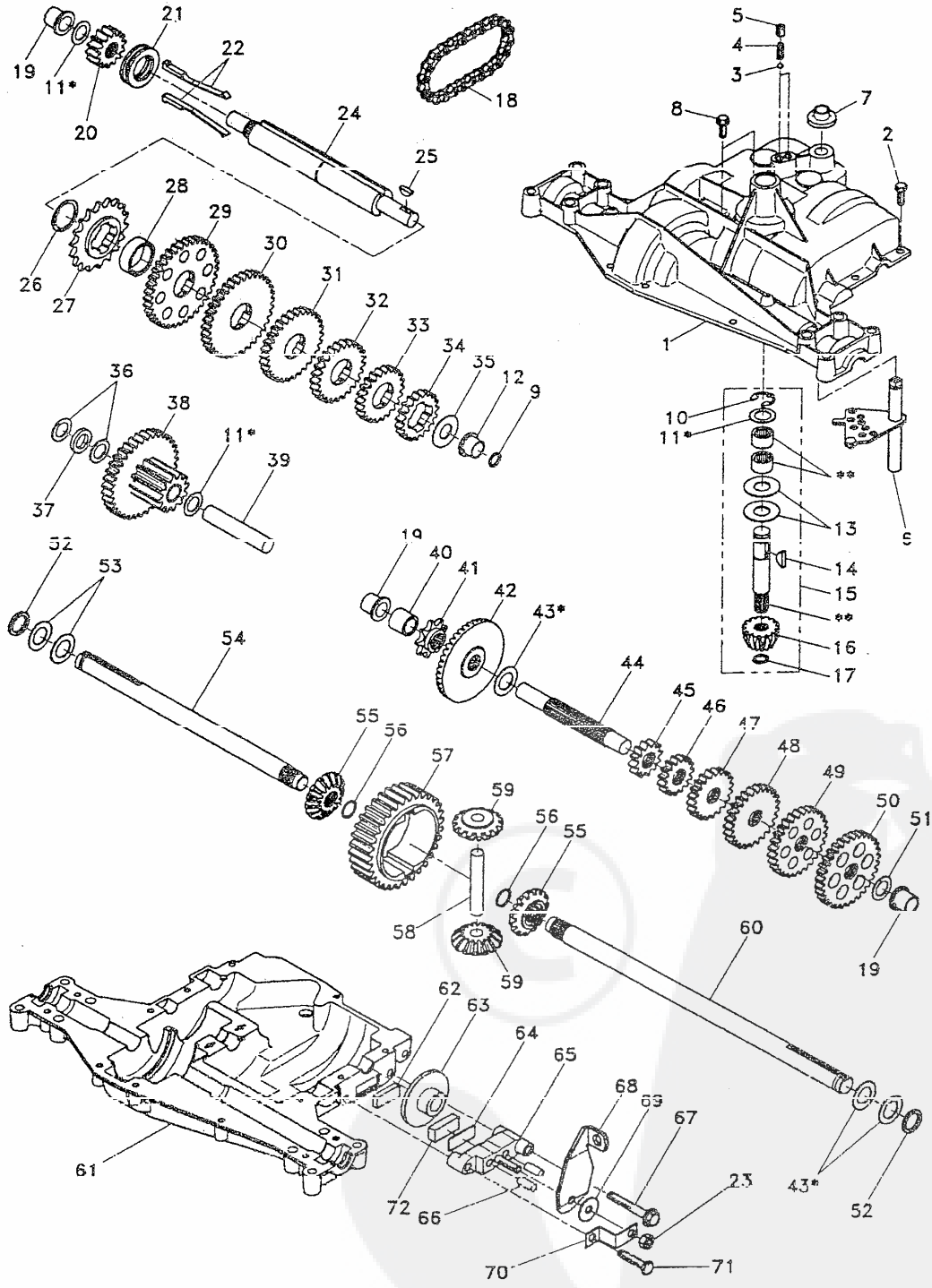
NOTE: All component dimensions given in U.S. inches
1 inch = 25.4 mm

HARDWARE SHOWN LARGER FOR EASIER IDENTIFICATION

REPAIR PARTS

12 HP 38" TRACTOR -- MODEL NUMBER BA12R38A

LOWER DECK



SERVICE NOTES

