

PARTNER

7



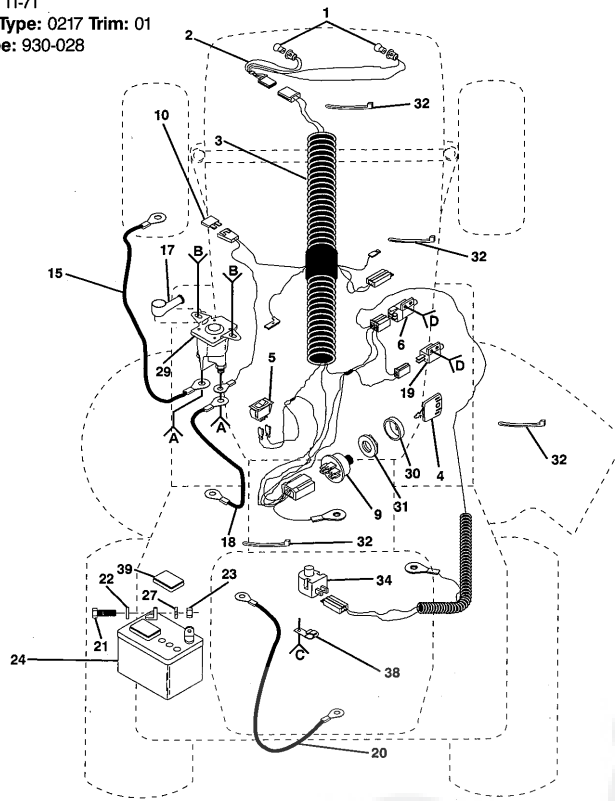
1992:1

12-95

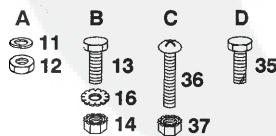
Prod. nr. 12-95: 954 00 11-71
 Motor: Br & Str 283707 Type: 0217 Trim: 01
 Transaxel: Peerless Type: 930-028

SPAREPARTS
 107 25 07-63

file:Partner 12-95



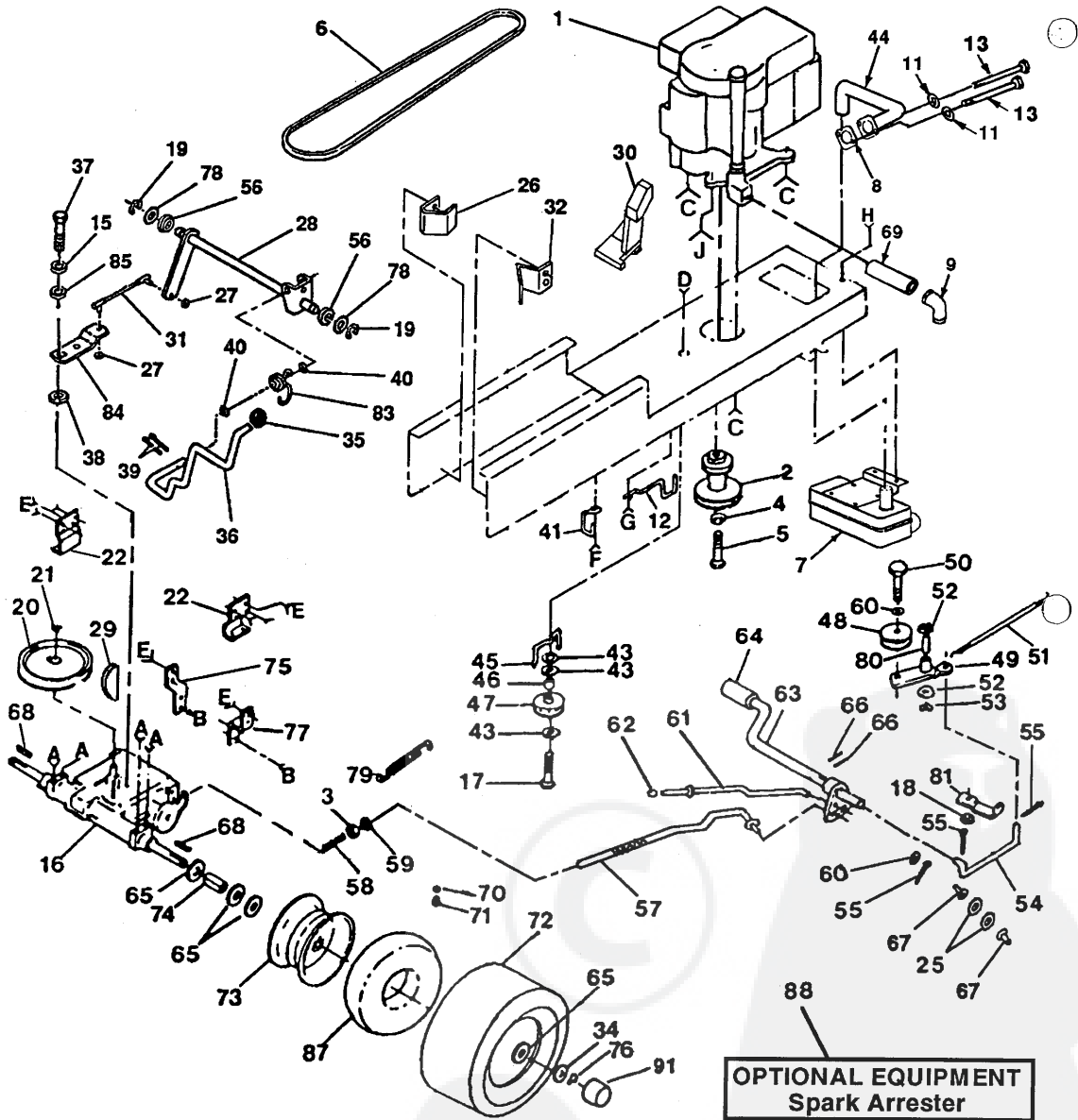
| No. | Part no. | Description | No. | Part no. | Description |
|-----|--------------|----------------------------------|-----|--------------|-------------------------------------|
| 1 | 532 00 76-62 | Bulb, Light | 23 | 873 22 04-00 | Nut, Hex 1/4-20 |
| 2 | 532 12 41-08 | Harness, Light Socket | 24 | 506 78 88-01 | Battery |
| 3 | 532 12 49-04 | Harness, Ignition | 27 | 810 04 04-00 | Washer, Lock 1/4 |
| 4 | 516 84 46-00 | Key, Molded | 29 | 532 10 80-81 | Solenoid |
| 5 | 532 11 07-12 | Switch, Light | 30 | 532 12 36-20 | Cover, Switch, Key |
| 6 | 532 10 44-45 | Switch, Interlock, Clutch | 31 | 532 12 42-11 | Nut, Ignition |
| 9 | 532 10 29-72 | Switch, Ignition | 32 | 532 12 47-56 | Tie, Cable |
| 10 | 532 10 88-24 | Fuse | 34 | 532 12 13-05 | Switch, Plunger |
| 11 | 810 04 04-00 | Washer, Lock 1/4 | 35 | 817 02 10-08 | Screw, Hex, Tapping 10-24 UNC x 1/2 |
| 12 | 873 68 04-00 | Nut, Hex 1/4-20 | 36 | 874 64 10-08 | Screw, Slotted Pan Head |
| 13 | 874 76 04-12 | Bolt, Hex 1/4-20 x 3/4 | 37 | 873 95 10-00 | Nut, Keps 10-32 x 1/2 |
| 14 | 873 22 04-00 | Nut, Keps 1/4-20 | 38 | 532 00 41-71 | Clip, Insulated |
| 15 | 532 00 47-99 | Cable, Assembly | 39 | 532 12 12-64 | Caps, Battery, Set |
| 16 | 811 04 04-00 | Washer, Lock, External Tooth 1/4 | | | |
| 17 | 532 13 15-63 | Cover, Terminal | | | |
| 18 | 532 00 51-14 | Cable, Battery | | | |
| 19 | 532 10 95-53 | Switch, Interlock, Foot Pedal | | | |
| 20 | 532 12 47-73 | Cable, Battery | | | |
| 21 | 874 76 04-12 | Bolt, Hex 1/4-20 x 3/4 | | | |
| 22 | 819 09 10-16 | Washer 9/32 x 5/8 x 16 Gauge | | | |



| No. | Part no. | Description | No. | Part no. | Description |
|-----|--------------|---|-----|--------------|--|
| 1 | 532 12 74-23 | Seat | 41 | 532 12 12-46 | Bracket, Switch Mount |
| 2 | 874 76 06-12 | Screw, Hex 3/8-16 x 3/4 | 42 | 532 12 12-49 | Spacer, Split |
| 3 | 874 76 06-12 | Screw, Hex Washer Head, Thd. Roll. 3/8-16 x 3/4 | 43 | 532 12 12-50 | Spring, Seat, Compression |
| 4 | 532 12 66-56 | Bracket, Pivot, Seat | 44 | 819 13 20-12 | Washer 13/32 x 1-1/4 x 12 Gauge |
| 5 | 532 10 55-29 | Bolt, Shoulder 5/16-18 UNC | 45 | 532 10 92-02 | Tank, Fuel |
| 6 | 873 68 05-00 | Nut, Crownlock 5/16-18 | 46 | 532 13 14-02 | Guide, Belt, Lower, Enginge Pulley, R.H. |
| 7 | 532 12 41-81 | Spring, Seat | 47 | 532 12 49-96 | Clip |
| 8 | 532 12 65-99 | Fender | 48 | 819 13 16-11 | Washer 13/32 x 1 x 11 Gauge |
| 9 | 874 76 06-12 | Bolt, Hex, Fin. 3/8-16 UNC x 3/4 | 49 | 872 04 04-10 | Bolt, Carriage 1/4-20 x 1-1/4 |
| 10 | 817 03 08-08 | Screw, Spicerlock, Hex Head x 1/2 AB | 50 | 873 68 04-00 | Locknut, Hex, Flange, Large 1/4-20 |
| 11 | 873 68 06-00 | Nut, Crownlock 3/8-16 | 51 | 532 00 85-48 | Line, Fuel |
| 12 | 874 76 06-12 | Screw, Hex 3/8-16 x 3/4 | 52 | 532 12 99-65 | Case, Battery |
| 13 | 532 10 98-73 | Bracket Fender | 53 | 532 10 95-96 | Clamp, Hose |
| 14 | 874 76 04-12 | Bolt, Hex, Fin. 1/4-20 UNC x 3/4 | 54 | 532 10 56-87 | Tube, Battery Drain |
| 15 | 532 12 48-99 | Footrest, L.H. | 55 | 532 12 69-38 | Bumper, Hood |
| 16 | 532 12 49-14 | Footrest, R.H. | 56 | 532 00 49-21 | Retainer, Spring |
| 17 | 872 11 06-08 | Bolt, Carriage 3/8-16 UNC x 1 | 57 | 532 13 16-36 | Console, Shift |
| 18 | 532 12 12-51 | Strip, Foam | 58 | 532 12 43-46 | Nut, Self-Threading 1/4 |
| 19 | 810 04 04-00 | Washer, Lock 1/4 | 59 | 532 12 89-53 | Shield, Heat, Muffler |
| 20 | 874 76 06-12 | Bolt, Hex, Fin. 3/8-16 UNC x 3/4 | 60 | 817 43 10-08 | Screw, Self-Tapping 10-16 x 1/2 |
| 21 | 819 13 13-16 | Washer 13/32 x 13/16 x 16 Gauge | 61 | 532 12 40-28 | Grommet |
| 22 | 532 12 40-29 | Lens Assembly | 62 | 532 12 34-87 | Clamp, Hose |
| 23 | 819 17 19-12 | Washer 17/32 x 1-3/16 x 12 Gauge | 63 | 874 76 06-12 | Screw, Hex 3/8-16 x 3/4 |
| 24 | 819 13 12-10 | Washer 13/32 x 3/4 x 10 Gauge | 64 | 819 09 14-13 | Washer 9/32 x 7/8 x 13 Gauge |
| 25 | 532 12 00-68 | Knob, Seat 1/2-13 UNC | 65 | 532 12 27-95 | Panel, Dash, L.H. |
| 26 | 532 10 92-66 | Pad, Footrest | 66 | 532 12 17-94 | Cover, Access |
| 27 | 532 12 70-18 | Bolt, Shoulder 5/16-18 x .62 | 67 | 532 12 40-31 | Panel, Dash, R.H. |
| 28 | 532 10 50-37 | Foam Strip | 68 | 874 76 04-12 | Screw, Hex 1/4-20 x 3/4 |
| 29 | 532 12 29-33 | Rivot, Ratchet, Nylon | 69 | 532 10 57-36 | Shield, Heat |
| 30 | 532 12 40-27 | Shield, Heat, Hood | 70 | 532 10 58-39 | Receptacle, 1/4 Turn |
| 31 | 532 12 39-15 | Grill | 71 | 532 10 58-38 | Retainer, 1/4 Turn |
| 32 | 532 13 14-45 | Hood Assembly | 72 | 819 09 10-16 | Washer 9/32 x 5/8 x 16 Gauge |
| 33 | 532 12 12-48 | Bushing, Snap | 73 | 532 12 36-50 | Stud, 1/4 Turn |
| 34 | 532 13 08-90 | Bracket, Switch, Interlock | 74 | 532 12 70-57 | Strip |
| 35 | 532 12 44-79 | Washer, Nylon, Black | 75 | 532 10 82-36 | Bracket, Switch |
| 36 | 532 13 10-52 | Chassis Assembly | | | |
| 37 | 532 00 95-28 | Drawbar | | | |
| 38 | 532 12 42-94 | Pan, Seat | | | |
| 39 | 817 02 10-08 | Screw, Hex, Tapping 10-24 x 1/2 | | | |
| 40 | 532 12 35-49 | Cap, Fuel | | | |

REPAIR PARTS

12 HP 38" TRACTOR - - MODEL NO. 12-95E, PRODUCT NO. 954 00 11-71
DRIVE

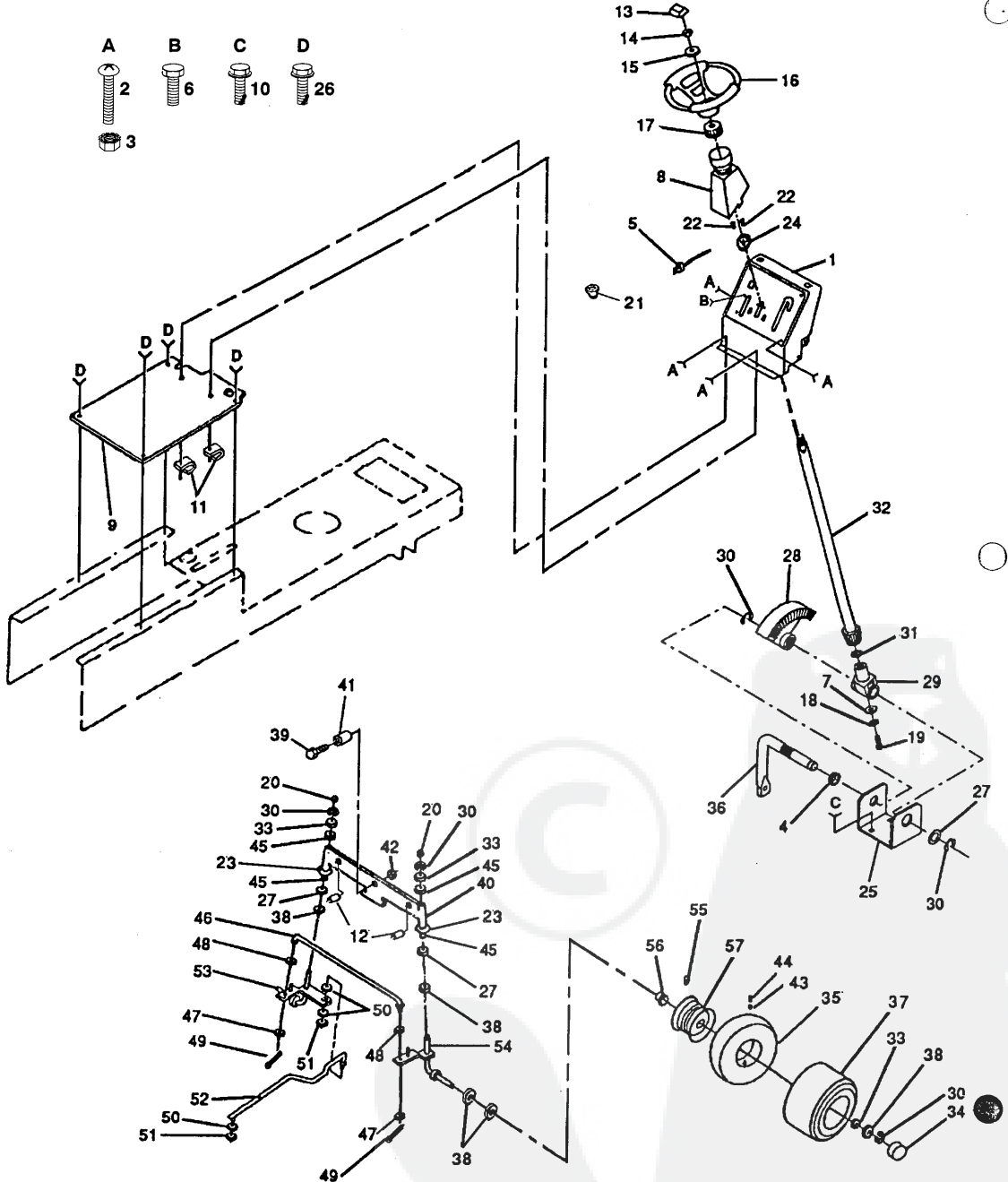


| A | B | C | D | E | F | G | H | J |
|---|---|---|---|---|---|---|---|---|
| | | | | | | | | |
| | | | | | | | | |
| | | | | | | | | |

| No. | Part no. | Description | No. | Part no. | Description |
|-----|--------------|------------------------------------|-----|--------------|--|
| 2 | 532 13 10-02 | Pulley, Engine | 47 | 532 12 36-74 | Idler, Flat |
| 3 | 873 68 06-00 | Locknut, Hex 3/8-16 | 48 | 532 12 77-83 | Idler, Groove, Plastic |
| 4 | 810 04 07-00 | Washer, Lock 7/16 | 49 | 532 12 37-89 | Bellcrank Assembly |
| 5 | 871 13 07-20 | Bolt, Hex 7/16-20 x 1-1/4 | 50 | 874 76 06-24 | Bolt, Hex 3/8-16 x 1-1/2 |
| 6 | 532 12 59-07 | V-Belt, Drive | 51 | 532 10 57-09 | Spring, Return, Clutch |
| 7 | 532 12 90-75 | Muffler | 52 | 532 11 08-12 | Washer, Hardened |
| 8 | 532 12 55-93 | Gasket | 53 | 812 00 00-39 | Ring, Klip |
| 9 | 813 20 03-00 | Elbow, Standard 90° | 54 | 532 10 57-10 | Link, Clutch |
| 10 | 819 11 14-16 | Washer 11/32 x 7/8 x 16 Gauge | 55 | 876 02 04-16 | Pin, Cotter 1/8 x 1 |
| 11 | 810 04 05-00 | Washer, Lock 5/16 | 56 | 532 12 72-72 | Bushing, Pivot |
| 12 | 532 12 99-21 | Keeper, Belt, Engine | 57 | 532 13 18-67 | Rod, Brake |
| 13 | 871 07 05-10 | Screw, Hex 5/16-18 x 5/8 | 58 | 532 10 68-88 | Spring, Rod, Brake |
| 14 | 874 76 06-24 | Screw, Hex Roll. 3/8-16 x 1-1/2 | 59 | 873 68 06-00 | Nut, Hex, Jam 3/8-16 |
| 15 | 810 04 04-00 | Washer, Lock, Heavy Helical Spring | 60 | 819 13 13-16 | Washer 13/32 x 13/16 x 16 Gauge |
| 16 | | Transaxle, Peerless | 61 | 532 12 89-04 | Rod, Brake, Parking |
| 17 | 874 76 06-44 | Bolt, Hex 3/8-16 x 2-3/4 | 62 | 532 07 16-73 | Cap, Plunger |
| 18 | 873 68 06-00 | Nut, Crownlock 3/8-16 | 63 | 532 12 12-24 | Shaft, Foot Pedal |
| 19 | 812 00 00-03 | E-Ring | 64 | 532 12 48-72 | Cover, Pedal |
| 20 | 532 12 36-66 | Pulley, Transaxle | 65 | 532 12 17-49 | Washer 25/32 x 1-1/4 x 16 Gauge |
| 21 | 812 00 00-28 | Ring, Retainer | 66 | 532 00 15-72 | Pin, Roll 3/16 x 1 |
| 22 | 532 10 91-67 | Bracket, Transaxle | 67 | 532 12 01-83 | Bearing, Nylon |
| 23 | 874 76 06-24 | Bolt, Hex 3/8-16 x 1-1/2 | 68 | 532 12 35-83 | Key, Square 2.0 x .1845/.1865 |
| 24 | 874 76 05-14 | Screw, Hex 5/16-18 x 7/8 | 69 | 813 28 03-24 | Nipple, Pipe 3/8 NPT x 3 |
| 25 | 819 21 16-16 | Washer 21/32 x 1 x 16 Gauge | 70 | 532 05 91-82 | Cap, Valve |
| 26 | 532 12 72-75 | Keeper, Belt, L.H. | 71 | 532 06 51-39 | Stern, Valve |
| 27 | 873 53 04-00 | Nut, Nylok 1/4-28 | 72 | 532 12 20-74 | Tire, Rear |
| 28 | 532 12 72-73 | Shaft, Shifter Assembly | 73 | 532 10 61-08 | Rim Assembly, Rear |
| 29 | 532 12 50-96 | Key Woodruff 9 | 74 | 532 10 95-01 | Spacer |
| 30 | 532 12 79-51 | Stop, Throttle | 75 | 532 12 72-85 | Strap, Torque, L.H. |
| 31 | 532 12 37-93 | Rod, Link, Shift | 76 | 812 00 00-01 | E-Ring |
| 32 | 532 12 72-74 | Keeper, Belt, R.H. | 77 | 532 12 15-20 | Strap, Torque, Transaxle |
| 33 | 874 76 06-12 | Bolt, Hex 3/8-16 x 3/4 | 78 | 819 17 19-12 | Washer 17/32 x 1-3/16 x 16 |
| 34 | 532 12 17-48 | Washer 25/32 x 1-5/8 x 16 Gauge | 79 | 532 11 04-22 | Spring, Brake |
| 35 | 532 10 69-33 | Knob, Shift | 80 | 532 10 57-06 | Bearing |
| 36 | 532 12 72-70 | Rod, Shift | 81 | 532 12 32-05 | Retainer, Belt |
| 37 | 871 04 04-12 | Bolt, Hex 1/4-28 x 3/4 | 82 | 873 68 05-00 | Nut, Crownlock 5/16-18 |
| 38 | 532 10 57-01 | Washer, Shift Plate | 83 | 532 12 37-82 | Spring, Torsion |
| 39 | 876 02 04-16 | Pin, Cotter 1/8 x 1 | 84 | 532 12 72-76 | Arm, Shift |
| 40 | 819 17 16-16 | Washer 17/32 x 1 x 16 Gauge | 85 | 819 09 14-13 | Washer 9/32 x 7/8 x 13 Gauge |
| 41 | 532 10 47-77 | Retainer, Belt | 86 | 810 04 06-00 | Washer, Lock 3/8 |
| 42 | 874 76 06-12 | Screw, Hex 3/8-16 x 3/4 | 87 | 532 00 71-52 | Tube, Tire (Option, Service Item Only) |
| 43 | 819 13 13-10 | Washer 13/32 x 13/16 x 10 Gauge | 88 | 532 12 31-10 | Spark, Arrestor |
| 44 | 532 12 30-74 | Pipe, Exhaust | 89 | 819 11 14-16 | Washer 11/32 x 7/8 x 16 Gauge |
| 45 | 532 10 90-70 | Retainer, Belt | 90 | 874 76 05-40 | Bolt, Hex Fin. 5/16-18 UNC x 2-1/2 |
| 46 | 532 00 44-70 | Spacer | 91 | 532 10 47-57 | Cap, Axle |

REPAIR PARTS

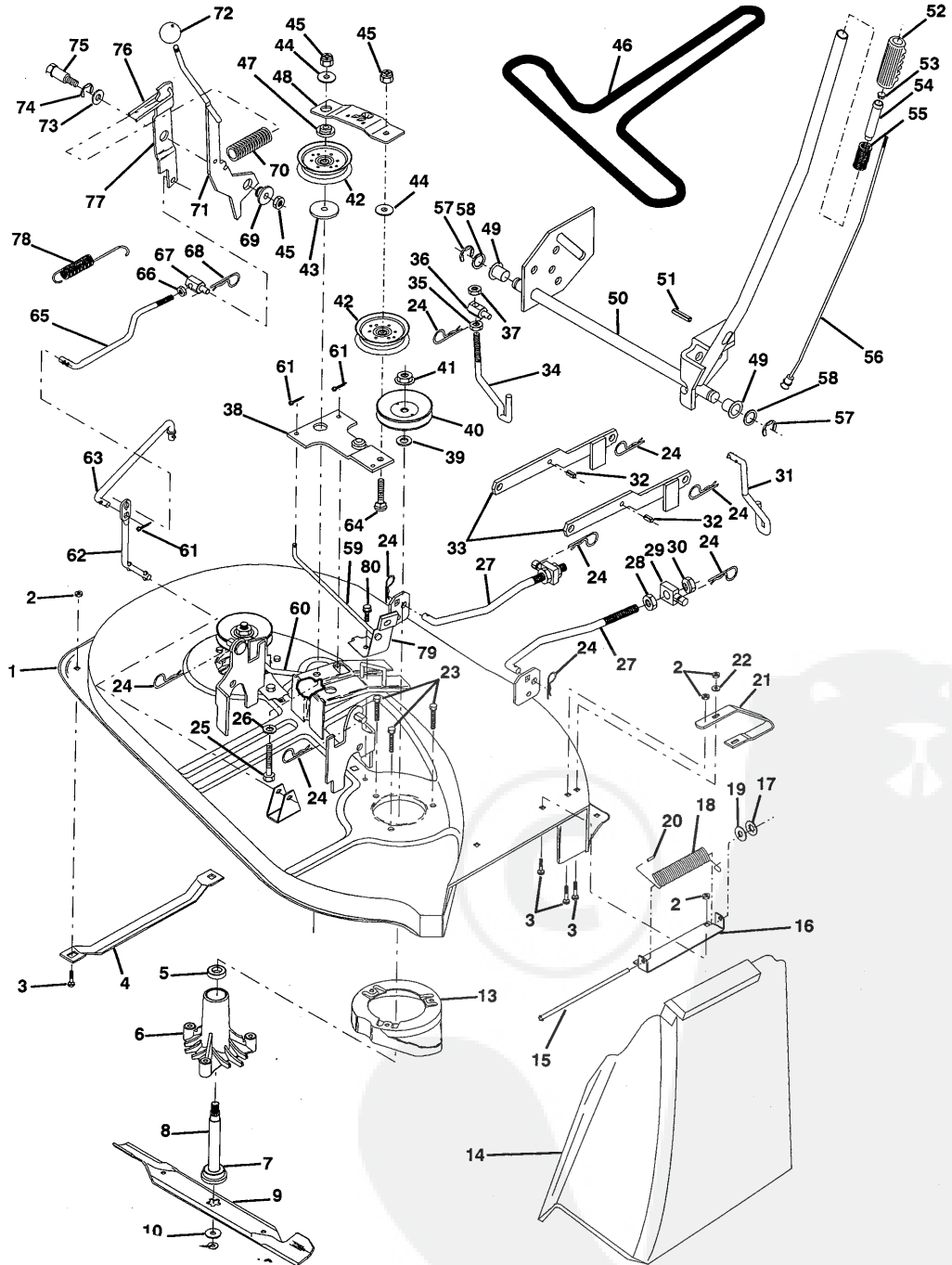
12 HP 38" TRACTOR - - MODEL NO. 12-95E, PRODUCT NO. 954 00 11-71
STEERING AND FRONT AXLE



| No. | Part no. | Description | No. | Part no. | Description |
|-----|--------------|---------------------------------|-----|--------------|---|
| 1 | 532 12 66-04 | Dash | 31 | 532 05 70-79 | Washer, Hardened |
| 2 | 874 76 05-14 | Screw 5/16 x 7/8 | 32 | 532 12 26-14 | Shaft, Steering, Lower |
| 3 | 873 68 05-00 | Nut 5/16-18 | 33 | 532 12 17-48 | Washer 25/32 x 1-5/8 x 16 Gauge |
| 4 | 532 10 98-16 | Nyliner, Snap In | 34 | 532 10 47-57 | Cover, Axle |
| 5 | 532 13 26-23 | Control, Throttle | 35 | 532 05 99-04 | Tube, Front (Optional, Service Item Only) |
| 6 | 874 76 04-12 | Screw, Hex 1/4-20 x 3/4 | 36 | 532 12 75-01 | Shaft, Pitman |
| 7 | 532 12 66-84 | Washer, Shim | 37 | 533 30 11-40 | Tire, Front |
| 8 | 532 12 44-18 | Boot, Steering Shaft | 38 | 532 12 17-49 | Washer 25/32 x 1-1/4 x 16 Gauge |
| 9 | 532 12 74-23 | Saddle | 39 | 874 76 10-60 | Bolt, Hex 5/8-11 x 3-3/4 |
| 10 | 874 76 06-12 | Screw, Hex Roll. 3/8-16 x 3/4 | 40 | 532 10 56-89 | Axle, Front |
| 11 | 532 12 64-71 | Clip, Insulated | 41 | 532 11 04-38 | Spacer, Bearing, Front Axle |
| 12 | 532 13 26-24 | Pin, Axle | 42 | 873 60 10-00 | Locknut, Flange 5/8-11 |
| 13 | 532 12 68-05 | Insert, Steering Wheel | 43 | 532 05 91-92 | Cap, Valve |
| 14 | 873 61 06-00 | Locknut, Hex 3/8-24 | 44 | 532 06 51-39 | Stem, Valve |
| 15 | 819 13 38-08 | Washer 13/32 x 2-3/8 x 8 Gauge | 45 | 532 12 49-37 | Bearing |
| 16 | 532 12 14-72 | Steering Wheel | 46 | 532 13 04-65 | Rod, Tie |
| 17 | 532 10 48-20 | Adapter, Steering Wheel | 47 | 819 13 13-16 | Washer 13/32 x 13/16 x 16 Gauge |
| 18 | 810 04 04-00 | Washer, Lock 1/4 | 48 | 532 12 07-54 | Bushing |
| 19 | 874 76 04-12 | Screw 1/4-20 x 3/4 | 49 | 876 02 04-16 | Pin, Cotter 1/8 x 1 |
| 20 | 532 12 12-32 | Cap, Spindle | 50 | 810 04 06-00 | Washer, Lock 3/8 |
| 21 | 532 00 54-79 | Plug, Button | 51 | 873 61 06-00 | Nut, Hex, Fin. 3/8-24 UNF |
| 22 | 817 02 10-08 | Screw, Hex, Tapping 10-24 x 1/2 | 52 | 532 13 04-68 | Link, Drag |
| 23 | 819 27 20-16 | Washer 27/32 x 1-1/4 x 16 Gauge | 53 | 532 13 04-60 | Spindle, L.H. |
| 24 | 532 12 43-73 | Bushing, Steering | 54 | 532 13 04-59 | Spindle, R.H. |
| 25 | 532 12 40-36 | Bracket, Steering | 55 | 532 12 49-57 | Fitting, Grease |
| 26 | 874 76 06-12 | Screw, Hex 3/8-16 x 3/4 Type TT | 56 | 532 00 90-40 | Bearing, Flange |
| 27 | 532 12 49-31 | Bearing, Thrust | 57 | 532 10 67-32 | Rim, Front (Includes 2 of Key Number 56) |
| 28 | 532 12 40-34 | Gear, Sector | | | |
| 29 | 532 12 40-35 | Shaft, Support | | | |
| 30 | 812 00 00-29 | Ring, Klip | | | |

REPAIR PARTS

12 HP 38" TRACTOR - - MODEL NO. 12-95E, PRODUCT NO. 954 00 11-71
MOWER DECK



| No. | Part no. | Description | No. | Part no. | Description |
|-----|--------------|---|-----|--------------|---------------------------------|
| 1 | 532 12 93-65 | Mower Assembly | 41 | 873 05 09-00 | Nut, Flangelock 9/16 |
| 2 | 873 68 05-00 | Nut, Crownlock 5/16-18 | 42 | 532 13 14-94 | Pulley, Idler, Flat |
| 3 | 872 14 05-06 | Bolt, Carriage 5/16-18 x 3/4 | 43 | 532 12 20-52 | Spacer, Retainer 1-3/4 |
| 4 | 532 12 50-74 | Runner, L.H. | 44 | 819 13 16-11 | Washer 13/32 x 1 x 11 Gauge |
| 5 | 532 11 04-85 | Bearing, Ball, Mandrel | 45 | 872 68 06-00 | Nut, Crownlock 3/8-16 |
| 6 | 532 12 87-74 | Housing Assembly, Mandrel, Vented, Machined | 46 | 532 13 12-90 | Belt |
| 7 | 532 12 98-95 | Bearing, Ball | 47 | 532 13 35-02 | Spacer, Retainer |
| 8 | 532 13 31-72 | Shaft and Bearing Assembly | 48 | 532 13 35-03 | Stiffener, Idler Arm |
| 9 | 532 12 78-42 | Blade, Mower, High Performance | 49 | 532 12 01-83 | Bearing, Nylon |
| 10 | 532 12 99-62 | Washer, Hard, Vented Mower | 50 | 532 12 25-07 | Shaft, Assembly, Lift |
| 11 | 810 04 06-00 | Washer, Lock 3/8 | 51 | 532 10 57-67 | Pin, Groove |
| 12 | 515 12 39-28 | Bolt, Blade 3/8-24 x 1-1/4 Grade 8 | 52 | 532 12 56-31 | Grip, Handle |
| 13 | 532 12 89-61 | Stripper, Vented Mower | 53 | 532 12 59-25 | Button, Plunger |
| 14 | 532 10 67-36 | Shield, Deflector | 54 | 532 12 59-25 | Plunger, Lever |
| 15 | 532 10 67-35 | Rod, Hinge | 55 | 532 12 25-12 | Spring |
| 16 | 532 10 58-96 | Bracket, Deflector, Mower | 56 | 532 12 25-14 | Rod, Lever |
| 17 | 532 11 04-52 | Nut, Push | 57 | 812 00 00-02 | E-Ring |
| 18 | 532 10 67-34 | Spring, Deflector | 58 | 819 21 16-16 | Washer 21/32 x 1 x 16 Gauge |
| 19 | 819 11 14-16 | Washer, 11/32 x 7/8 x 16 Gauge | 59 | 532 13 12-88 | Rod, Brake, R.H. |
| 20 | 532 10 53-04 | Cap, Sleeve | 60 | 532 13 12-89 | Rod, Brake, L.H. |
| 21 | 532 12 87-72 | Runner, R.H. | 61 | 876 02 03-12 | Pin, Cotter 3/32 x 3/4 |
| 22 | 819 11 14-16 | Washer 11/32 x 7/8 x 16 Gauge | 62 | 532 13 35-51 | Rod, Pivot |
| 23 | 874 76 05-28 | Bolt 5/16-18 x 1-3/8 | 63 | 532 13 35-04 | Rod, Clutch, Secondary |
| 24 | 532 12 46-70 | Retainer, Spring | 64 | 872 11 06-16 | Bolt, Carriage 3/8-16 |
| 25 | 874 76 06-36 | Bolt, Hex Head 3/8-16 x 2.25 | 65 | 532 13 35-50 | Rod, Clutch, Primary |
| 26 | 819 13 16-11 | Washer 13/32 x 1 x 11 Gauge | 66 | 873 35 06-00 | Nut, Hex, Jam 3/8-16 |
| 27 | 532 12 72-18 | Link, Front | 67 | 532 13 32-05 | Trunnion 3/8-16 |
| 28 | 873 68 08-00 | Nut, Hex, 1/2-13 | 68 | 532 12 47-88 | Retainer, Spring |
| 29 | 532 13 01-71 | Trunnion | 69 | 532 12 74-98 | Bushing |
| 30 | 873 68 08-00 | Nut, Crownlock 1/2-13 | 70 | 532 12 87-59 | Spring |
| 31 | 532 12 72-24 | Link, Lift, R.H. | 71 | 532 13 35-73 | Arm Assembly, Clutch, Primary |
| 32 | 532 12 87-63 | Pin, Spring 5/16-3/4 | 72 | 532 10 69-32 | Knob |
| 33 | 532 13 37-10 | Arm, Rear Suspension Assembly | 73 | 532 12 17-48 | Washer 25/32 x 1-5/8 x 16 Gauge |
| 34 | 532 12 72-23 | Link, Lift, R.H. | 74 | 812 00 00-29 | Ring, Klip |
| 35 | 873 71 07-00 | Nut, Crownlock 7/16-20 UNF | 75 | 532 12 89-03 | Bolt, Shoulder |
| 36 | 532 11 04-47 | Trunnion, Lift | 76 | 532 12 78-45 | Keeper, Spring |
| 37 | 873 71 07-00 | Nut, Crownlock, Jam 7/16-20 UNF | 77 | 532 12 78-47 | Arm Assembly, Clutch, Secondary |
| 38 | 532 13 38-40 | Idler Arm Assembly | 78 | 532 13 18-70 | Spring, Return |
| 39 | 532 12 99-63 | Washer, Spacer, Vented Mower | 79 | 532 13 08-40 | Brake Assembly, Vented Mower |
| 40 | 532 12 92-06 | Pulley, Mandrel, Single | 80 | 874 76 05-14 | Screw, Hex 5/16-18 x 7/8 |