

PARTNER

7



1992:1

8/10/12-90

SPAREPARTS

107 25 06-63

Prod. nr. 8-90: 954 00 11-41

Prod. nr. 10-90: 954 00 11-51

Prod. nr. 12-90: 954 00 11-61

Motor: 8-90 Br & Str 195707 Type: 0118 Trim: 01

Motor: 10-90 Br & Str 254707 Type: 0140 Trim: 01

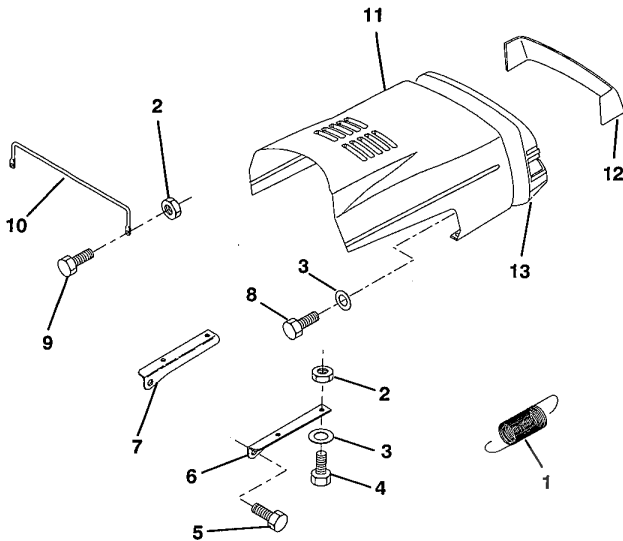
Motor: 12-90 Br & Str 283707 Type: 0217 Trim: 01

Transaxel: 8-90 Peerless Type: 930-026

Transaxel: 10-90 Peerless Type: 930-027

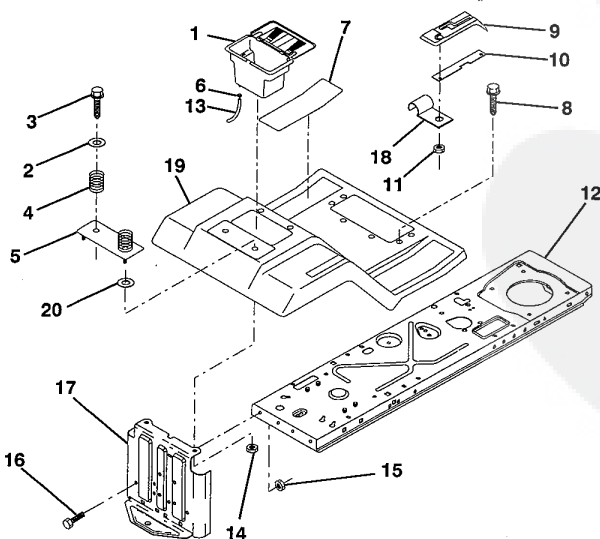
Transaxel: 12-90 Peerless Type: 930-028

HOOD



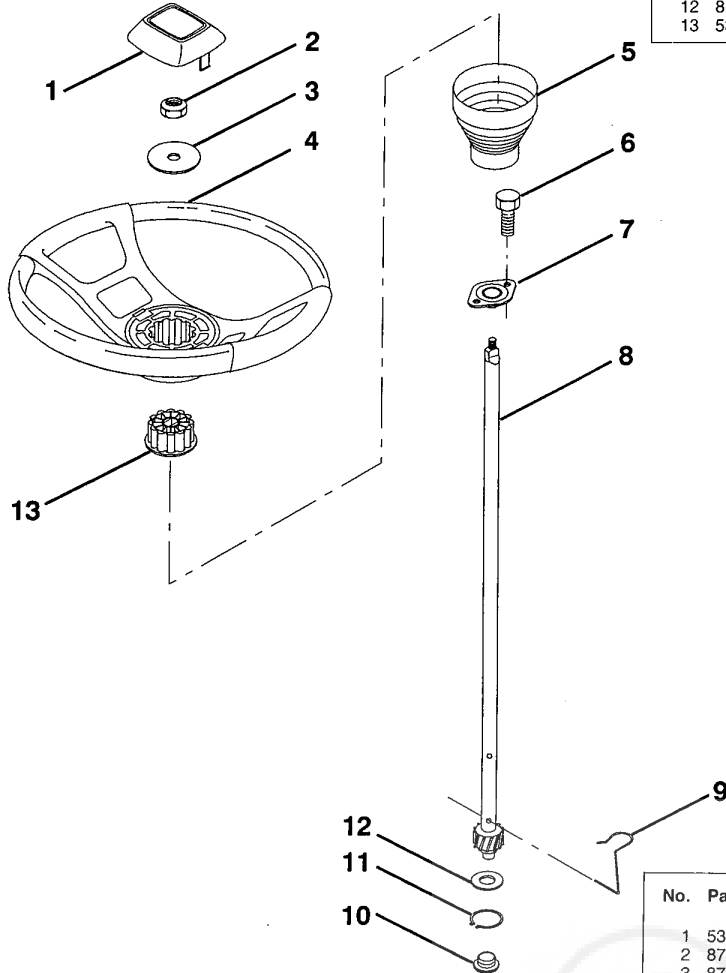
No.	Part no.	Description
1	532 12 46-57	Spring, Extension
2	873 68 04-00	Nut, Hex, Keps 1/4-20
3	819 09 10-16	Washer 9/32 x 5/8 x 16 Gauge
4	874 76 04-12	Bolt, Hex, Fin. 1/4-20 UNC x 3/4
5	532 12 66-75	Bolt, Shoulder
6	532 12 25-49	Bracket, Hood, R.H.
7	532 12 25-48	Bracket, Hood, L.H.
8	817 41 13-10	Screw, Hex, Fin. 13-16 Hi-Lo x 5/8
9	874 76 04-12	Bolt, Hex, Fin. 1/4-20 x 3/4
10	532 12 36-93	Brace Hood
11	532 12 48-16	Hood
12	532 12 76-59	Lens, Plate, Grill
13	532 12 57-47	Grill

FENDER / CHASSIS



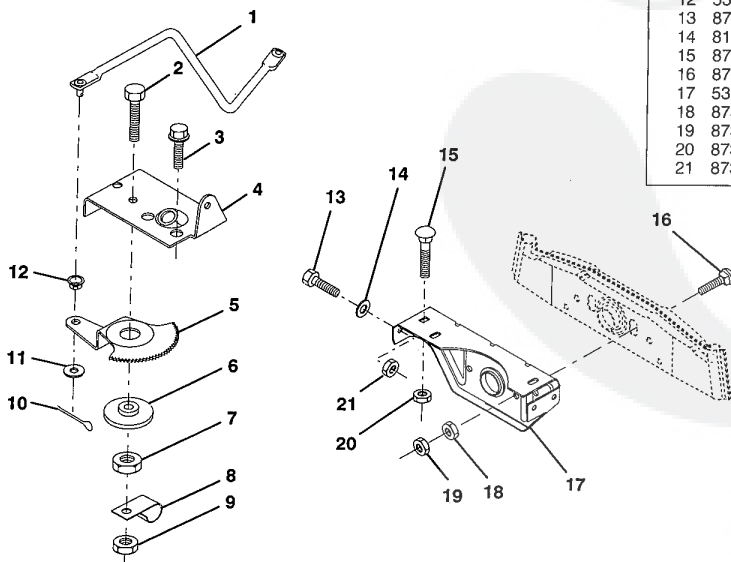
No.	Part no.	Description
1	532 12 99-65	Case, Battery
2	819 13 20-12	Washer 13/32 x 1-1/4 x 12 Gauge
3	874 76 06-12	Screw, Hex 3/8-16 x 3/4
4	532 12 41-81	Spring, Compression, Seat
5	532 12 71-15	Plate Assembly, Battery
6	532 10 95-96	Clamp, Hose
7	532 12 41-44	Pad, Footrest
8	874 76 05-14	Screw, Hex 5/16-18 x 7/8
9	532 12 69-96	Console, Shift Control (8-90)
	532 12 69-97	Console, Shift Control (10-90)
	532 12 69-95	Console, Shift Control (12-90)
10	532 12 43-07	Bar, Shift Lock (8-90)
	532 12 46-02	Bar, Shift Lock (10/12/90)
11	532 12 43-46	Nut, Self-Threading 3/16
12	532 12 36-45	Assembly, Frame
13	532 10 56-87	Tube, Battery Drain
14	873 68 04-00	Nut, kesp, Hex 1/4-20
15	873 68 05-00	Nut, Crownlock 5/16-18
16	874 76 05-14	Bolt, Hex Head 5/16-18 UNC x 7/8
17	532 12 78-80	Drawbar
18	532 12 64-70	Clip, Insulated
19	532 12 80-83	Fender/Footrest
20	819 09 14-13	Washer 9/32 x 7/8 x 13 Gauge

STEERING WHEEL



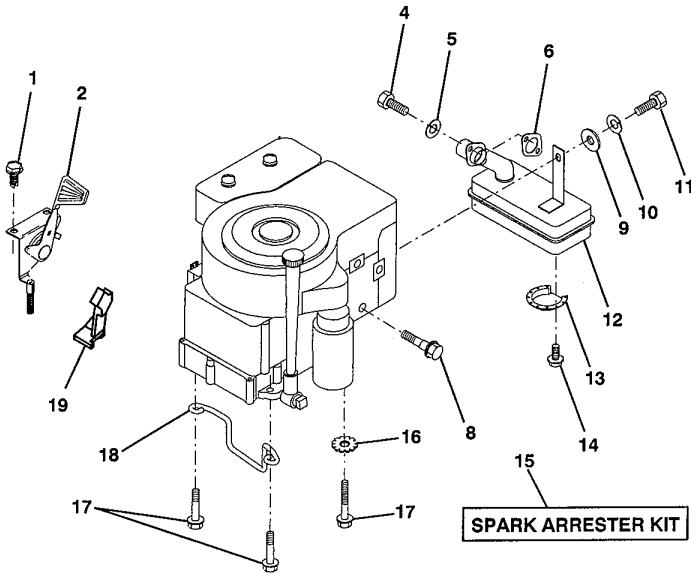
No.	Part no.	Description
1	532 12 68-05	Insert, Steering Wheel
2	873 61 06-00	Locknut 3/8-24 UNF
3	819 13 38-08	Washer 12/32 x 2-3/8 x 8 Gauge
4	532 12 14-72	Steering Wheel
5	532 12 18-97	Sleeve, Steering
6	817 43 10-08	Screw, Hex 10-16 x 1/2
7	532 10 28-03	Bushing, Steering
8	532 12 36-51	Shaft, Steering
9	532 12 42-10	Clip, Steering
10	532 12 34-38	Bushing, Lower, Steering
11	812 00 00-45	Ring, Retaining
12	819 21 16-16	Washer 21/32 x 1 x 16 Gauge
13	532 10 48-20	Adaptor, Steering Wheel

SECTOR GEAR / AXLE SUPPORT



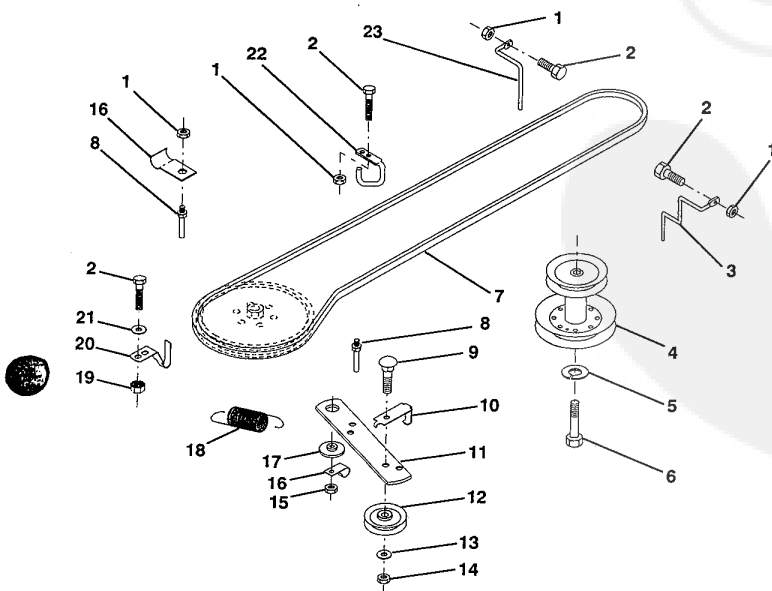
No.	Part no.	Description
1	532 12 40-93	Link, Drag
2	874 78 08-28	Bolt, Hex, Fin. 1/2-13 x 1-3/4
3	874 76 05-14	Screw, Hex 5/16-18 x 7/8
4	532 12 19-25	Plate, Steering Support
5	532 12 19-26	Gear, Sector
6	532 12 19-27	Bushing
7	873 68 08-00	Nut, Crownlock 1/2-13 UNC
8	532 12 64-72	Clip, Insulated
9	873 68 08-00	Nut, Crownlock 1/2-13 UNC
10	876 02 04-16	Pin, Cotter 1/8 x 3/4
11	819 13 13-16	Washer 13/32 x 13/16 x 16 Gauge
12	532 12 68-47	Bushing
13	874 76 05-14	Bolt, Hex Head 5/16-18 UNC 7/8
14	819 11 14-16	Washer 11/32 x 7/8 x 16 Gauge
15	872 11 06-08	Bolt, Carriage 3/8-16 UNC x 1
16	872 14 06-22	Bolt, Carriage
17	532 12 19-12	Support, Front Axle
18	873 68 06-00	Nut 3/8-16 UNC
19	873 93 06-00	Nut, Centerlock 3/8-16 UNC
20	873 68 06-00	Nut, Crownlock 3/8-16 UNC
21	873 68 05 00	Nut, Crownlock 5/16-18 UNC

ENGINE / THROTTLE



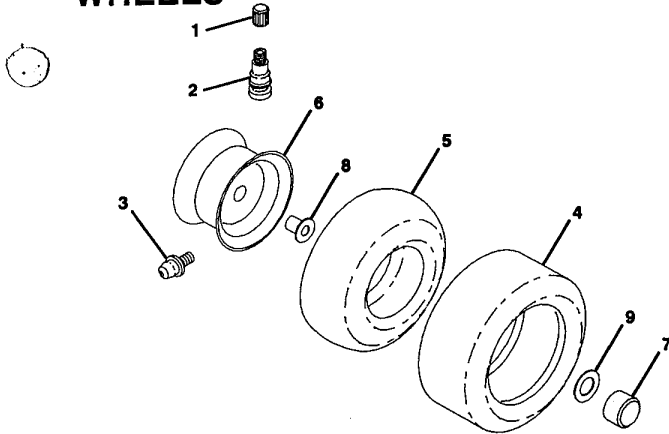
No.	Part no.	Description
1	874 76 04-12	Screw, Hex 1/4-20 x 3/4
2	532 13 30-25	Control, Throttle
4	874 78 04-12	Bolt, Hex 1/4-20 x 3/4 (8-90)
	874 78 05-16	Bolt, Hex 5/16-18 x 1 (10/12-90)
5	810 04 04-00	Washer, Lock 1/4 (8-90)
	810 04 05-00	Washer, Lock 5/16 (10/12-90)
6	532 12 07-01	Gasket, Exhaust (8-90)
	532 12 55-93	Gasket, Exhaust (10/12-90)
8	532 12 10-94	Bolt, Sholder 5/16
9	819 10 12-16	Washer 5/16 x 3/4 x 16
10	810 04 04-00	Washer, Lock, Heavy Helical Spring 1/4
11	874 78 04-12	Bolt, Hex, Fin. 1/4-20 UNC x 3/4
12	532 12 40-94	Muffler (8-90)
	532 12 36-76	Muffler (10/12-90)
13	532 10 13-26	Deflector, Muffler
14	817 03 08-08	Screw, Spiderlock, Hex Head 8 x 1/2 ABTPS
15	532 12 18-51	Arrester, Spark (Optional Equipment)
16	810 04 06-00	Washer, Lock 3/8
17	874 76 06-24	Screw, Hex 3/8-16 x 1-1/2
18	532 12 66-36	Keeper, Ground Drive Belt
19	532 13 30-97	Stop, Throttle

GROUND DRIVE



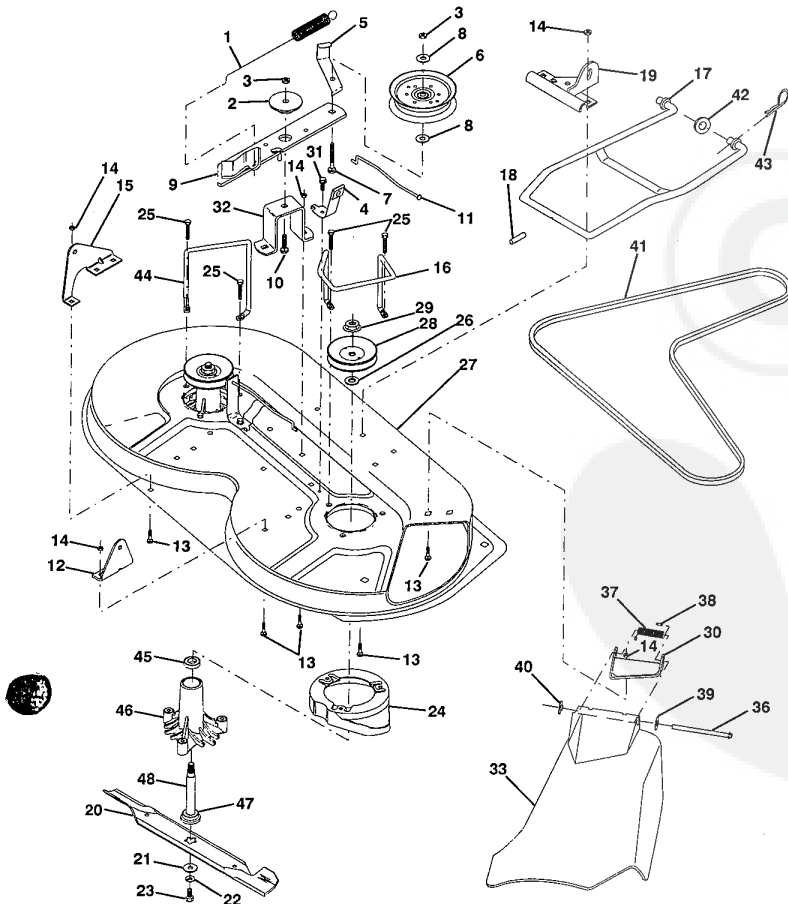
No.	Part no.	Description
1	873 68 05-00	Nut, Crownlock 5/16-18
2	874 76 05-14	Bolt, Hex Head 5/16-18 UNC x 7/8
3	532 13 12-05	Keeper, Mower Drive Belt, R.H.
4	532 13 10-04	Pulley, Engine
5	810 04 07-00	Washer, Lock 7/16
6	871 13 07-20	Bolt, Hex, Fin. 7/16-20
7	532 12 65-20	Traction, V-Belt Drive
8	532 12 34-05	Keeper T/A Ground Drive Belt
9	872 14 06-12	Bolt, Carriage 3/8-16 UNC x 1-1/2
10	532 12 33-96	Keeper, Belt, Ground Drive Idler
11	532 12 33-95	Arm, Ground Drive Clutch
12	532 00 48-59	Idler, Flat
13	819 13 13-16	Washer 13/32 x 13/16 x 16 Gauge
14	873 93 06-00	Nut, Centerlock 3/8-16 UNC
15	873 68 06-00	Nut, Crownlock 3/8-16 UNC
16	532 12 64-71	Clip, Insulated
17	532 12 20-52	Spacer, Retainer
18	532 13 14-59	Spring, Extension
19	873 68 05-00	Nut 5/16-18 UNC
20	532 12 38-91	Keeper, T/A Ground Drive Belt
21	819 11 14-16	Washer 11/32 x 7/8 x 16 Gauge
22	532 12 34-04	Keeper, Frame, Ground Drive Belt
23	532 13 12-04	Keeper, Mower Drive, L.H.

WHEELS



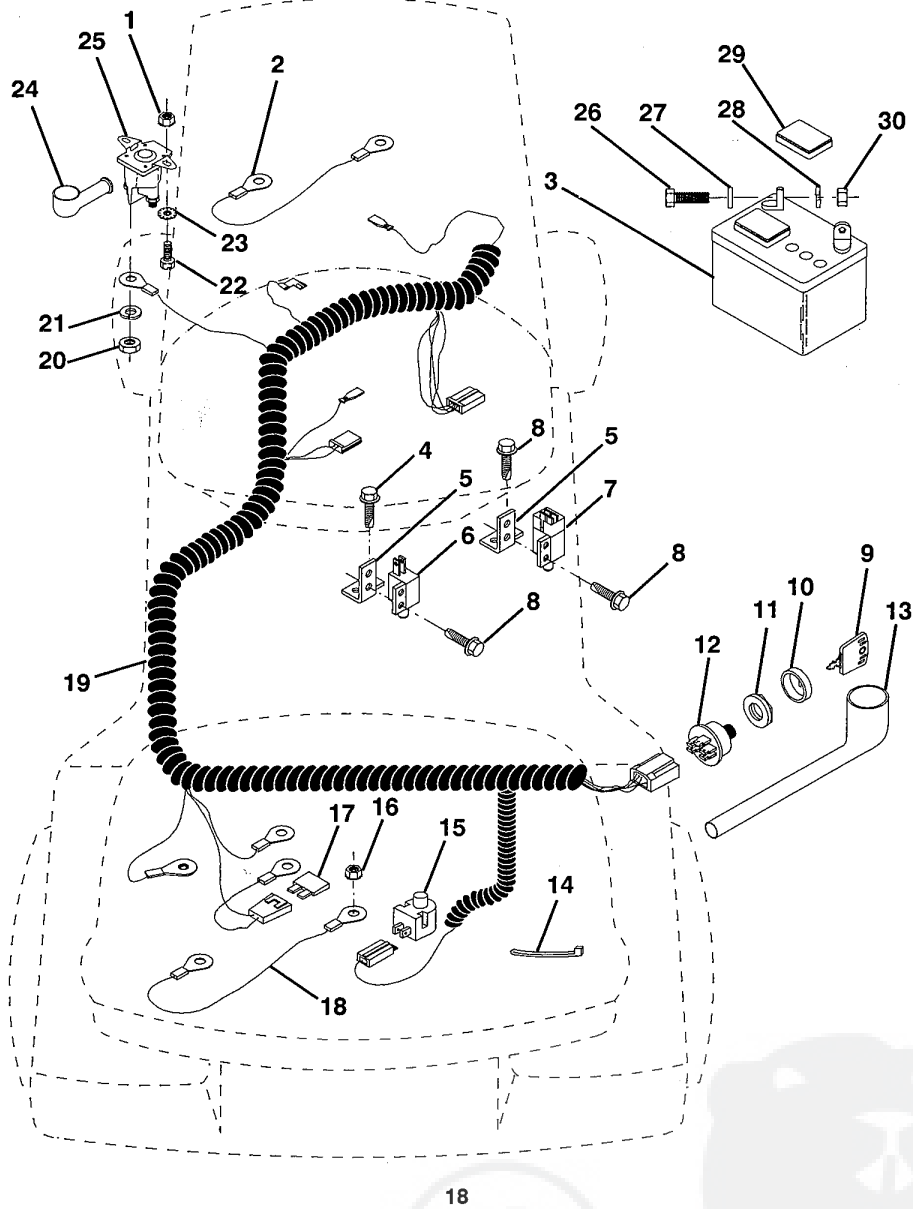
No.	Part no.	Description
1	532 05 91-92	Cap, Valve
2	532 06 51-39	Stem, Valve
3	532 12 49-57	Fitting, Grease
4	532 12 34-10	Tire, Front
4	532 12 34-11	Tire, Rear (10/12-90)
	532 10 62-30	Tire, Rear (8-90)
5	531 02 01-89	Tube, Tire, Front
	532 00 81-34	Tube, Tire, Rear
6	532 12 48-43	Rim, Front
	532 12 48-44	Rim, Rear
7	532 10 47-57	Cap, Axle, Front and Rear
8	532 00 90-40	Bearing, Flange (Front only)
9	532 12 17-48	Washer 25/32 x 1-5/8

MOWER DECK



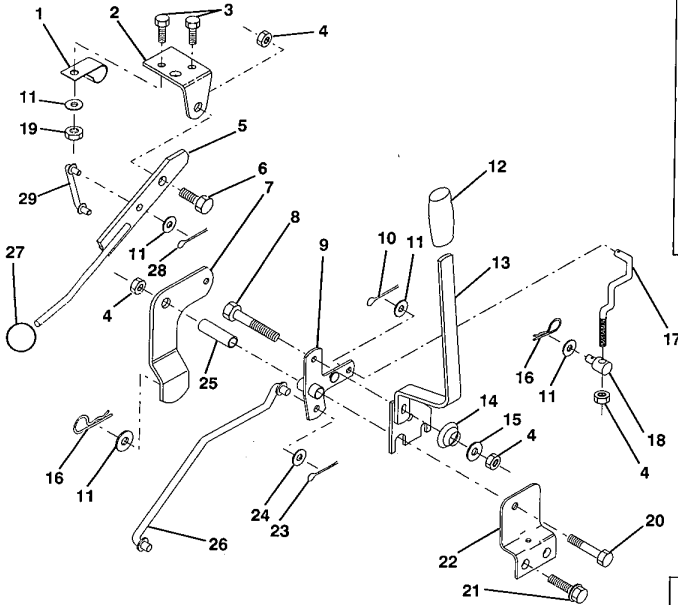
No.	Part no.	Description
1	532 12 77-43	Spring, Mower Clutch
2	532 12 20-52	Spacer, Retainer
3	873 68 06-00	Nut, Crownlock
4	532 13 08-40	Brake Assembly
5	532 13 12-51	Guide, Belt Idler
6	532 12 13-16	Pulley, Flat Idler
7	872 11 06-16	Bolt, Carriage 3/8-16 x 1-3/4
8	819 13 16-11	Washer 13/21 x 1 x 11 Gauge
9	532 12 77-44	Arm Assembly, Idler, Mower
10	872 11 06-08	Bolt, Carriage 3/8-16 x 1
11	532 13 08-41	Rod, Brake
12	532 12 73-56	Bracket, Lift, Rear, R.H.
13	872 14 05-05	Bolt, Carriage 5/16-18 x 5/8
14	873 68 05-00	Nut, Crownlock 5/16-18
15	532 12 20-44	Bracket, Lift, Rear, L.H.
16	532 13 08-37	Keeper, Belt, R.H.
17	532 12 85-08	Link Assembly, Mower Stabilizer
18	532 12 85-11	Pin, Drive
19	532 12 73-80	Bracket Assembly, Front
20	532 12 78-41	Blade
21	532 12 99-62	Washer, Hard
22	810 04 06-00	Washer, Lock 3/8
23	515 12 39-28	Bolt 3/8-24 x 1-1/4 Grade 8
24	532 12 89-61	Stripper
25	874 76 05-28	Bolt 5/16-18 x 1-3/8
26	532 12 99-63	Washer .150 Thick
27	532 12 99-83	Deck Assembly
28	532 12 92-07	Pulley, Mandrell
29	873 05 09-00	Nut, Flangelock 9/16
30	532 12 63-61	Bracket Assembly, Deflector
31	817 49 05-08	Screw, Hex Washer Head, Thd., Roll. 5/16-18 x 1/2
32	532 12 20-51	Arm, Support Idler, Mower
33	532 13 15-60	Deflector
36	532 12 19-80	Rod, Hinge
37	532 12 37-13	Spring, Torsion-Deflector
38	532 10 53-04	Cap, Sleeve
39	819 11 14-16	Washer 11/32 x 7/8 x 16 Gauge
40	532 11 04-52	Pushnut
41	532 13 12-64	V-Belt
42	819 17 16-16	Washer 11/32 x 5/8 16 Gauge
43	532 12 46-60	Retainer, Spring
44	532 13 08-36	Keeper, L.H.
45	532 11 04-85	Bearing
46	532 12 87-74	Housing Mandrel Vented
47	532 12 98-95	Bearing
48	532 13 31-72	Shaft, Assembly Mandrel Vented

ELECTRICAL



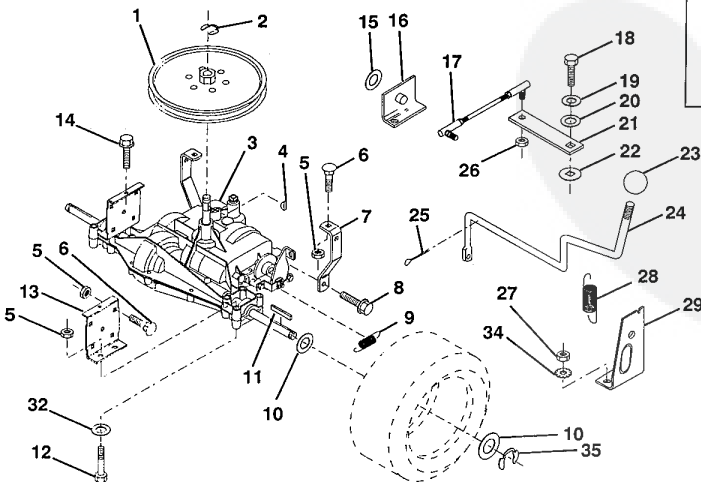
No.	Part no.	Description
1	873 22 04-00	Nut, Hex, 1/4-20
2	532 13 15-62	Assembly, Cable
3	506 78 88-01	Battery
4	817 21 10-10	Screw, Hex Washer Head, Tapping 10-16 x 5/8
5	532 10 82-36	Bracket, Switch
6	532 10 44-45	Switch, Interlock
7	532 10 95-53	Switch, Interlock
8	817 02 10-08	Screw, Hex Head, Tapping 10-24 x 1/2
9	516 84 46-00	Key, Molded
10	532 12 36-20	Cover, Ignition Key
11	532 12 42-11	Nut, Ignition
12	532 12 51-04	Switch, Ignition
13	532 12 40-83	Cover, Ignition Switch
14	532 12 47-56	Tie, Cable
15	532 12 13-05	Switch, Plunger
16	873 68 05-00	Nut, Hex, Keps 5/16-18
17	532 10 88-24	Fuse
18	532 00 29-55	Assembly, Cable
19	532 13 15-61	Harness, Ignition
20	873 68 04-00	Nut, Hex 1/4-20
21	810 04 04-00	Washer, Lock 1/4
22	874 76 04-12	Bolt, Hex 1/4-20 UNC x 3/4
23	810 04 04-00	Washer, Lock, 1/4
24	532 12 47-83	Cover, Terminal
25	532 10 90-81	Solenoid
26	874 76 04-12	Bolt, Hex Head 1/4-20 UNC x 3/4
27	819 09 10-16	Washer 9/32 x 5/8 x 16 Gauge
28	810 04 04-00	Washer, Lock 1/4
29	532 12 13-00	Cap, Battery
30	873 22 04-00	Nut, Hex, Fin. 1/4-20 UNC

MOWER LIFT LEVER



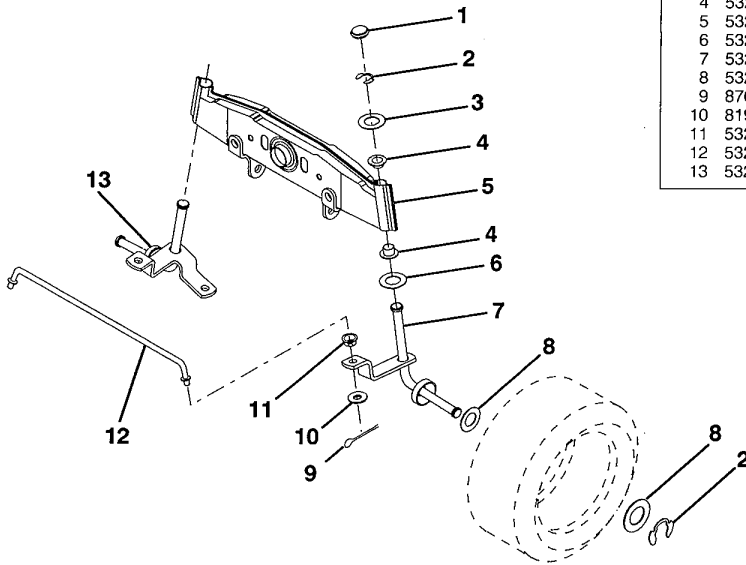
No.	Part no.	Description
1	532 12 64-70	Clip, Insulated
2	532 12 20-18	Bracket, Mower Clutch
3	874 78 04-12	Bolt, Hex, Fin. 1/4-20 UNC x 3/4
4	873 68 06-00	Nut, Crownlock 3/8-16 UNC
5	532 12 34-17	Assembly, Clutch Lever
6	532 10 64-51	Bolt, Shoulder
7	532 12 34-91	Assembly, Mower Clutch Arm
8	874 76 06-36	Bolt, Hex 3/8-16 UNC x 2-1/4
9	532 12 19-30	Bracket, Lift Assembly
10	876 02 04-16	Pin, Cotter 1/8 x 1
11	819 13 13-16	Washer 19/32 x 13/16 x 16 Gauge
12	532 12 20-27	Grip, Handle
13	532 12 70-28	Assembly, Lift Handle
14	532 12 34-96	Spring, Compression
15	819 13 12-10	Washer 13/32 x 3/4 x 10 Gauge
16	532 00 49-21	Retainer, Spring
17	532 12 73-59	Link, Front Lift
18	532 00 70-78	Trunnion, Threaded 3/8-16
19	873 68 04-00	Nut, Crownlock 1/4-20
20	874 76 06-44	Bolt, Hex, Fin. 3/8-16 UNC x 2-3/4
21	817 49 05-08	Screw, Hex, Thd., Roll. 5/16-18 x 1/2
22	532 12 19-29	Bracket, Mower Height
23	876 02 04-16	Pin, Cotter 1/8 x 1
24	819 17 16-16	Washer 17/32 x 1 x 16 Gauge
25	532 12 19-33	Tube, Spacer
26	532 12 19-34	Rod, Mower Lift
27	532 10 69-32	Grip Knob
28	876 02 03-12	Pin, Cotter 3/32 x 3/4
29	532 12 36-71	Link, Mower Clutch

TRANSAXLE



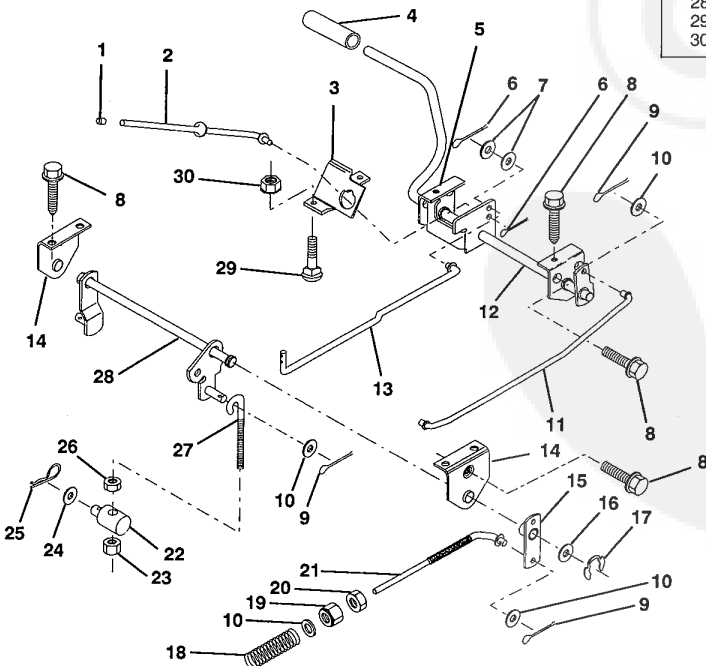
No.	Part no.	Description
1	532 12 33-85	Pulley
2	812 00 00-28	Ring, Retainer
3		Transaxle, Peerless
4	532 12 50-96	Key, Woodruff 9
5	873 68 05-00	Nut, Crownlock 5/16-18
6	872 14 05-06	Bolt, Carriage 5/16-18 UNC x 3/4
7	532 12 33-78	Strap, Torque
8	817 49 05-08	Screw, Hex, Thd. Roll
9	532 11 04-22	Spring, Brake
10	532 12 17-49	Washer 25/32 x 1-1/4 x 16 Gauge
11	532 12 35-83	Key, Square
12	874 76 05-40	Bolt, Hex, Fin. 5/16-18 x 2-1/2
13	532 12 33-77	Bracket, Transaxle
14	874 76 05-14	Screw 5/16-18 x 7/8
15	819 17 16-16	Washer, 17/32 x 1 x 16 Ga
16	532 12 46-00	Support, Handle, Shift, LH
17	532 12 62-93	Link, Shift
18	871 04 04-12	Bolt, Hex, Fin. 1/4-28 UNF x 3/4 Grade 8
19	810 04 04-00	Washer, Lock 1/4
20	819 09 14-13	Washer 9/32 x 3/4 x 10 Gauge
21	532 12 62-92	Arm, Shift
22	532 10 57-01	Washer, Shift, Plate
23	532 10 69-33	Knob
24	532 12 82-15	Handle, Shift Assembly
25	876 02 04-16	Pin, Cotter 1/8 x 1
26	873 81 05-00	Nut, Hex, Nylon 5/16-24 UNF
27	873 68 05-00	Nut, 5/16-18
28	532 12 80-85	Spring, Extension
29	532 12 80-84	Support, Handle, Shift, RH
32	819 11 14-16	Washer 11/32 x 7/8 x 16 Gauge
34	810 04 05-00	Washer, Lock, 5/16
35	812 00 00-01	E-Ring

FRONT AXLE



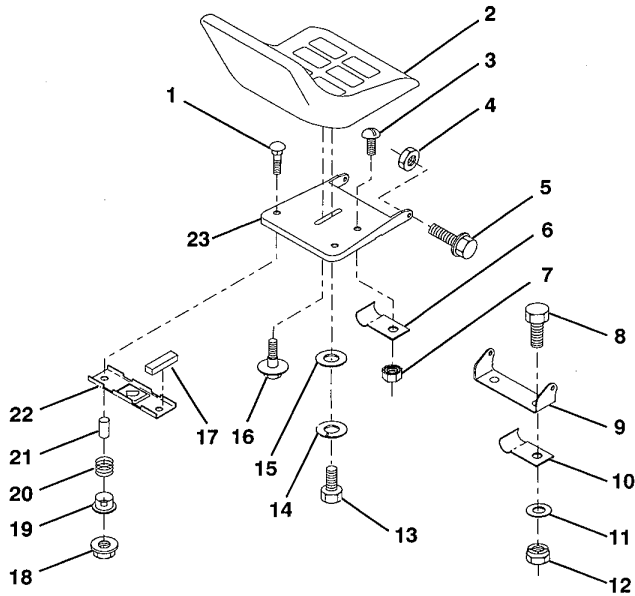
No.	Part no.	Description
1	532 12 12-32	Cap, Spindle
2	812 00 00-29	Ring, Clip
3	532 12 17-48	Washer 25/32 x 1-5/8 x 16 Gauge
4	532 12 19-22	Nyliner
5	532 12 85-43	Axel, Front
6	532 12 49-31	Bearing, Thrust
7	532 12 19-19	Spindle Assembly, R.H.
8	532 12 17-49	Washer 25/32 x 1-1/4 x 16 Gauge
9	876 02 04-16	Pin, Cotter 1/8 x 1
10	819 13 13-16	Washer 13/32 x 13/16 x 16 Gauge
11	532 12 68-47	Bushing
12	532 12 19-24	Rod, Tie
13	532 12 19-16	Spindle Assembly, L.H.

BRAKE / REAR MOWER LIFT ASSEMBLY



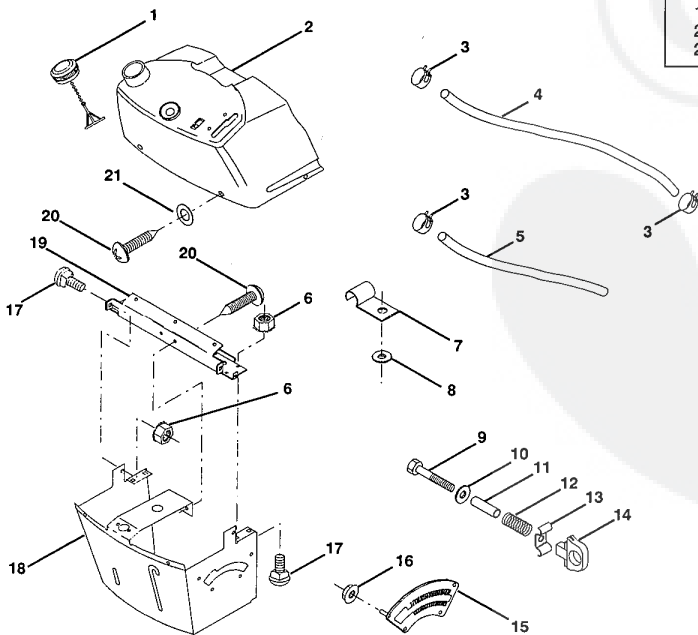
No.	Part no.	Description
1	532 07 16-73	Cap, Plunger
2	532 12 34-36	Rod, Parking Brake
3	532 12 34-37	Bracket, Parking Brake
4	532 12 48-72	Cover, Pedal
5	532 12 25-04	Bracket, Clutch/Brake Pedal, L.H.
6	876 02 03-12	Pin, Cotter 3/32 x 3/4
7	819 13 13-16	Washer 13/32 x 13/16 x 16 Gauge
8	817 49 05-08	Screw, Hex, Thd., Roll. 5/16-18 x 1/2
9	876 02 04-16	Pin, Cotter 1/8 x 1
10	819 13 13-16	Washer 13/32 x 13/16 x 16 Gauge
11	532 12 35-43	Rod, Brake, Front
12	532 12 95-67	Assembly, Clutch/Brake Pedal
13	532 12 33-94	Rod, Clutch
14	532 12 19-78	Bracket, Lift Shaft
15	532 12 36-41	Assembly, Brake, Pivot, Arm
16	532 12 17-49	Washer 25/32 x 1-1/4 x 16 Gauge
17	812 00 00-34	Ring, Klip
18	532 10 68-88	Spring, Brake Rod
19	873 68 06-00	Locknut 3/8-16 UNC
20	873 35 06-00	Nut, Hex, Jam 3/8-16 UNC
21	532 13 14-60	Rod, Brake, Rear
22	532 12 73-78	Trunnion, Lift
23	873 68 06-00	Nut, Crownlock 3/8-16 UNC
24	819 13 20-12	Washer 13/32 x 1-1/4 x 12 Gauge
25	532 00 49-21	Spring, Retainer
26	873 68 06-00	Nut, Centerlock 3/8-16 UNC
27	532 12 73-69	Link, Threaded
28	532 12 73-58	Assembly, Rear Mower Lift
29	872 11 05-06	Bolt, Carriage 5/16-18 UNC x 3/4
30	873 68 05-00	Nut 5/16-18 UNC

SEAT



No.	Part no.	Description
1	872 04 04-10	Bolt, Carriage 1/4-20 x 1-1/4
2	532 12 74-23	Seat
3	874 64 10-08	Screw, Slotted Pan Head 10-32 x 1/2
4	873 68 05-00	Nut, Crownlock 5/16-18
5	532 10 55-29	Bolt, Shoulder 5/16-18 UNC
6	532 00 41-71	Clip, Insulated
7	873 95 10-00	Nut, Keps 10-32 UNF
8	874 76 06-12	Bolt, Hex, Fin. 3/8-16 UNC x 3/4
9	532 12 66-56	Bracket, Pivot, Seat
10	532 12 64-71	Clip, Insulated
11	819 13 12-10	Washer 12/32 x 3/4 x 10 Gauge
12	873 68 06-00	Nut, Crownlock 3/8-16 UNC
13	874 78 08-14	Bolt, Hex, Fin. 1/2-13 UNC x 7/8
14	810 04 08-00	Washer, Lock, Heavy Helical Spring 1/2
15	819 17 19-12	Washer 17/32 x 1-3/16 x 12 Gauge
16	532 12 70-18	Bolt, Shoulder
17	532 12 12-51	Strip, Foam
18	873 68 04-00	Locknut 1/4-20
19	532 12 12-48	Bushing, Snap
20	532 12 12-50	Spring, Compression
21	532 12 12-49	Spacer, Split, Large .28 Id. x .88
22	532 12 12-46	Bracket, Switch, Mounting
23	532 12 42-94	Pan, Seat

DASH



No.	Part no.	Description
1	532 12 20-15	Cap, Fuel
2	532 13 09-13	Dash and Fuel Tank Assembly
3	532 12 34-87	Clamp, Hose
4	532 00 02-95	Line, Fuel
5	532 00 85-48	Line, Fuel
6	873 68 04-00	Nut, Hex, Keps 1/4-20
7	532 00 27-51	Clip, Fuel Line
8	819 09 10-16	9/32 x 5/8 x 16 Gauge
9	874 76 04-28	Bolt, Hex, Fin. 1/4-20 x 1-3/4
10	819 09 14-13	Washer 11/32 x 11/16 x 13 Gauge
11	532 12 12-49	Spacer, Split
12	532 00 37-20	Spring
13	532 12 64-50	Clip, Height Adjustment
14	532 12 61-15	Knob, Height Stop
15	532 12 20-23	Adjustment, Quadrant Height
16	532 12 43-46	Nut, Self-Threading 3/16-18
17	872 11 04-04	Bolt, Carriage 1/4-20 x 1/2
18	532 13 07-45	Support Assembly, Dash
19	532 13 07-22	Brace, Cross
20	818 00 04-08	Screw, Self-Tapping 1/4-20 x 1/2
21	819 09 08-16	Washer 9/32 x 1/2 x 16 Gauge