

REPAIR PARTS
Model No. 6A1A1A
Lawn Tractor

Rally

138770 12.04.92
PRINTED IN U.S.A.

LIMITED WARRANTY

The Manufacturer warrants to the original consumer purchaser that this product as manufactured is free from defects in materials and workmanship. For a period of one (1) year from date of purchase by the original consumer purchaser, we will repair or replace, at our option, without charge for parts or labor incurred in replacing parts, any part which we find to be defective due to materials or workmanship. This Warranty is subject to the following limitations and exclusions.

1. This warranty does not apply to the engine, transaxle/transmission components, battery (except as noted below) or components parts thereof. Please refer to the applicable manufacturer's warranty on these items.
2. Transportation charges for the movement of any power equipment unit or attachment are the responsibility of the purchaser. Transportation charges for any parts submitted for replacement under this warranty must be paid by the purchaser unless such return is requested by American Yard Products, Inc.
3. Battery Warranty: On products equipped with a Battery, we will replace, without charge to you, any battery which we find to be defective in manufacture, during the first ninety (90) days of ownership. After ninety (90) days, we will exchange the Battery, charging you 1/12 of the price of a new Battery for each full month from the date of the original sale. Battery must be maintained in accordance with the instructions furnished.
4. The Warranty period for any products used for rental or commercial purposes is limited to 90 days from the date of original purchase.
5. This Warranty applies only to products which have been properly assembled, adjusted, operated, and maintained in accordance with the instructions furnished. This Warranty does not apply to any product which has been subjected to alteration, misuse, abuse, improper assembly or installation, delivery damage, or to normal wear of the product.
6. Exclusions: Excluded from this Warranty are belts, blades, blade adapters, normal wear, normal adjustments, standard hardware and normal maintenance.
7. In the event you have a claim under this Warranty, you must return the product to an authorized service dealer.

Should you have any unanswered questions concerning this Warranty, please contact:

American Yard Products, Inc.
Service Department
P.O. Box 1687
Orangeburg, SC 29116 USA

In Canada contact:
AYP Canada, Inc.
1040 Jayson Court
Mississauga, Ontario
L4W 2V5

giving the model number, serial number and date of purchase of your product and the name and address of the authorized dealer from whom it was purchased.

THIS WARRANTY DOES NOT APPLY TO INCIDENTAL OR CONSEQUENTIAL DAMAGES AND ANY IMPLIED WARRANTIES ARE LIMITED TO THE SAME TIME PERIODS STATED HEREIN FOR OUR EXPRESSED WARRANTIES. Some areas do not allow the limitation of consequential damages or limitations of how long an implied Warranty may last, so the above limitations or exclusions may not apply to you. This Warranty gives you specific legal rights, and you may have other rights which vary from locale to locale.

This is a limited Warranty within the meaning of that term as defined in the Magnuson-Moss Act of 1975.

HOW TO USE THIS MANUAL

This manual is designed to provide the customer with a means to identify the parts on his/her tractor when ordering repair parts. The illustrations may or may not represent the actual assemblies; therefore, it is not recommended to use this manual as a guide to assemble or disassemble the tractor. Some hardware and parts are drawn larger in order to more readily identify them.

Each tractor has its own model number.

The model number for your tractor can be found on the fender under the seat.

When ordering parts, always give the following information:

- Product - "Tractor"
- Model Number - "6A1A1A"
- Part Number
- Part Description

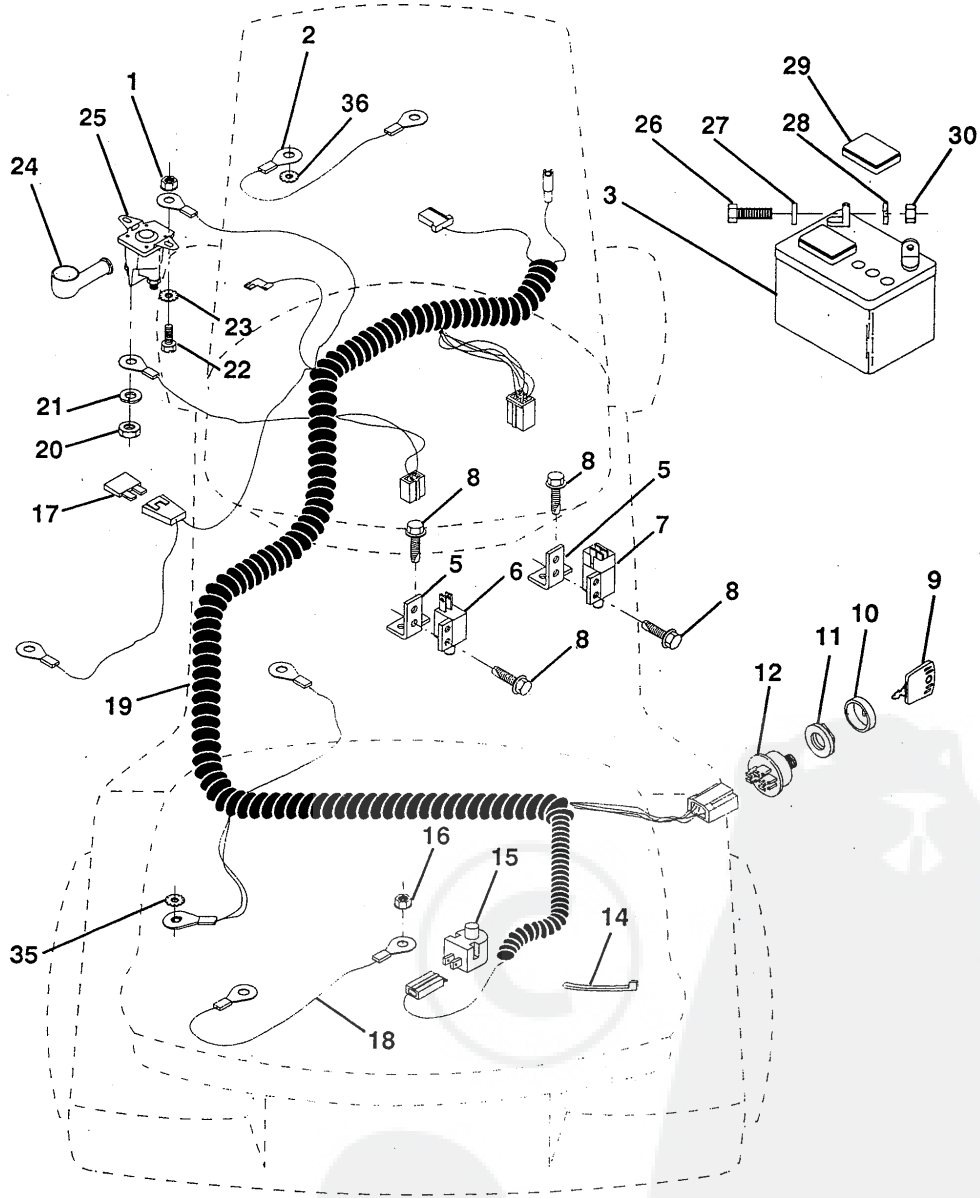
TABLE OF CONTENTS

DASH	9
DECALS	22
ENGINE/THROTTLE	14
ELECTRICAL	4-5
FENDER/CHASSIS	7
FRONT AXLE	12
GROUND DRIVE	15
HOOD	6
MOWER LIFT LEVER	17
MOWER DECK	18-19
BRAKE/REAR MOWER LIFT ASSEMBLY	13
SEAT	8
SECTOR GEAR/AXLE SUPPORT	11
STEERING WHEEL	10
TRANSAXLE	16, 20-21

REPAIR PARTS

10 HP 36" TRACTOR - - MODEL NUMBER 6A1A1A

ELECTRICAL



REPAIR PARTS

10 HP 36" TRACTOR -- MODEL NUMBER 6A1A1A

ELECTRICAL

KEY NO.	PART NO.	DESCRIPTION
1	73510400	Nut, Hex, Keps. 1/4-20
2	108423X	Assembly, Cable
3	133909	Battery
5	108236X	Bracekt, Switch
6	104445X	Switch, Interlock
7	109553X	Switch, Interlock
8	17021008	Screw, Hex Head, Tapping #10-24 x 1/2
9	122147X	Key, Molded
10	123620X	Cover, Ignition Key
11	124211X	Nut, Ignition
12	4406R	Switch, Ignition
14	7192J	Tie, Cable
15	121305X	Switch, Plunger
16	73510500	Nut, Hex, Keps 5/16-18
17	108824X	Fuse
18	128353	Assembly, Cable
19	131467	Harness, Ignition
20	73350400	Nut, Hex, Jam 1/4-20
21	10090400	Washer, Lock 1/4
22	74780408	Bolt, Hex, Fin. 1/4-20 UNC x 1/2 Grade 5
23	11050400	Washer, Lock External Tooth 1/4
24	131563	Cover, Terminal
25	138406	Solenoid
26	74760412	Bolt, Hex Head 1/4-20 UNC x 3/4
27	19091016	Washer 9/32 x 5/8 x 16
28	10040400	Washer, Lock 1/4
29	121264X	Cap, Battery
30	73220400	Nut, Hex, Fin. 1/4-20 UNC
35	11050600	Washer, Lock, External Tooth 3/8
36	11150400	Washer Lock Int Tooth 1/4

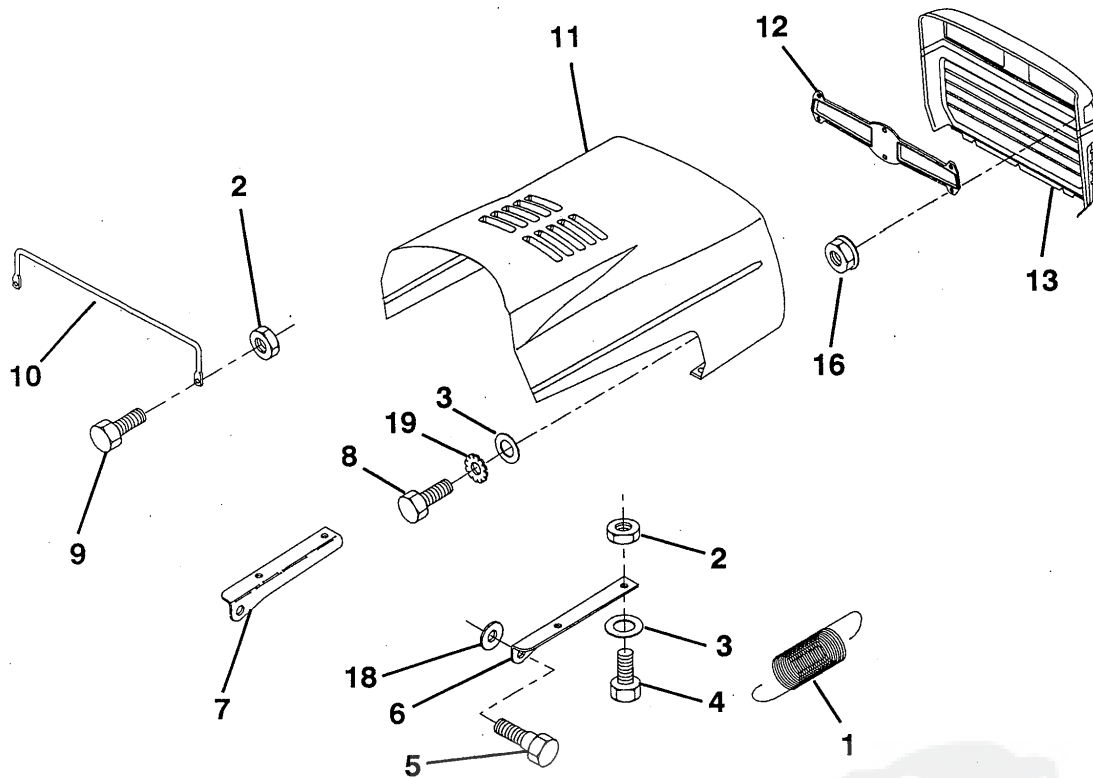
NOTE: All component dimensions given in U.S. inches.
1 inch = 25.4 mm

HARDWARE SHOWN LARGER FOR EASIER IDENTIFICATION

REPAIR PARTS

10 HP 36" TRACTOR - - MODEL NUMBER 6A1A1A

HOOD



KEY NO.	PART NO.	DESCRIPTION
1	124657X	Spring, Extension
2	73510400	Nut, Hex, Keps 1/4-20 UNC
3	19091016	Washer 9/32 x 5/8 x 16 Gauge
4	74780410	Bolt, Hex, Fin 1/4-20 UNC x 5/8 Grade 5
5	126675X	Bolt, Shoulder
6	122549X	Bracket, Hood, R.H.
7	122548X	Bracket, Hood, L.H.
8	17411310	Screw, Hex, Fin #13-16 Hi-Lo x 5/8

KEY NO.	PART NO.	DESCRIPTION
9	74780412	Bolt, Hex, Fin 1/4-20 x 3/4 Grade 5
10	123693X	Brace, Hood
11	132918X505	Hood
12	127178	Lens
13	134232X428	Grill
16	124346X	Nut Self Thd Wsh Hd 1/4
18	19111116	Washer 11/32 x 11/16 x 16 Ga.
19	11030400	Washer Lock Int/Ext Tooth 1/4

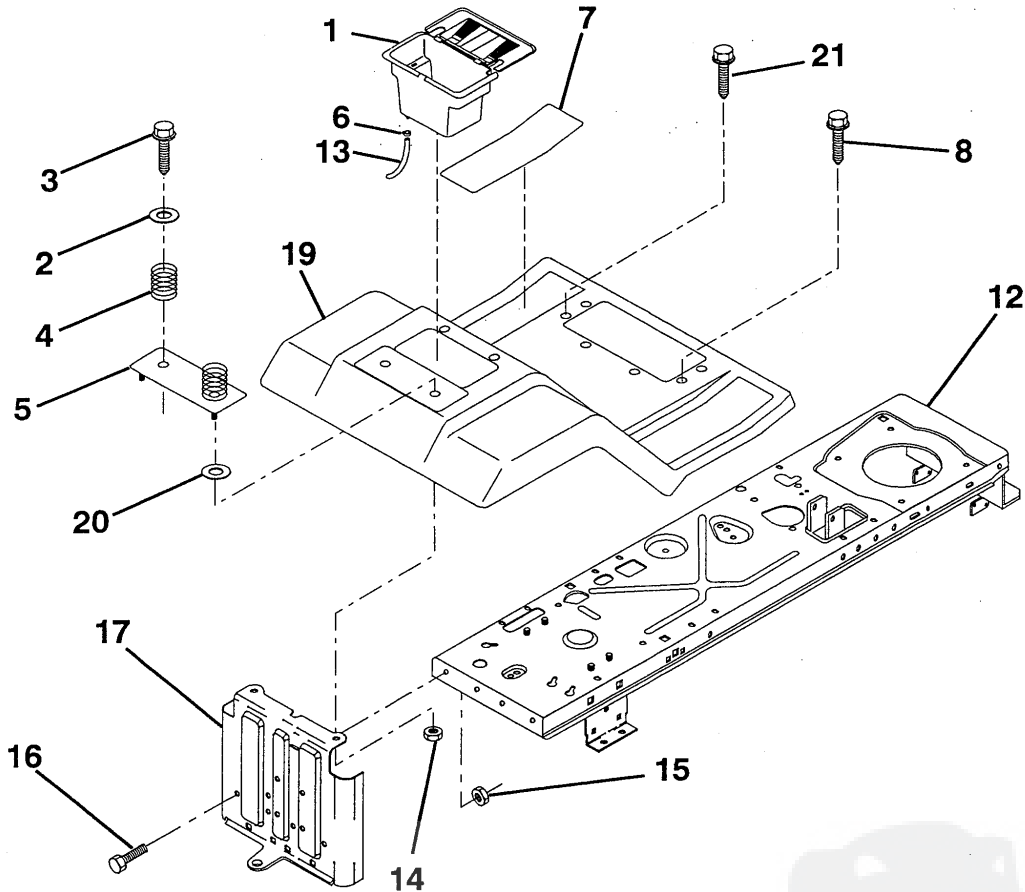
NOTE: All component dimensions given in U.S. inches.
1 inch = 25.4 mm

HARDWARE SHOWN LARGER FOR EASIER IDENTIFICATION

REPAIR PARTS

10 HP 36" TRACTOR - - MODEL NUMBER 6A1A1A

FENDER / CHASSIS



KEY NO.	PART NO.	DESCRIPTION
1	129965	Case, Battery
2	19132012	Washer 13/32 x 1-1/4 x 12 Gauge
3	17490612	Screw, Hex Washer Head, Thd. Roll. 3/8-16 x 3/4
4	124181X	Spring, Compression, Seat
5	127115X505	Plate, Battery
6	109596X	Clamp, Hose
7	124144X	Pad, Footrest
8	17490512	Screw, Hex Washer Head, Thd. Roll. 5/16-18 x 3/4
12	137097	Assembly, Frame

KEY NO.	PART NO.	DESCRIPTION
13	109238X	Tube, Battery Drain
14	73510400	Nut, Hex, Keps 1/4-20
15	73680500	Nut, Crownlock 5/16-18
16	74760512	Bolt, Hex 5/16-18 UNC x 3/4
17	127880	Drawbar
19	131810X505	Fender/Footrest
20	19091413	Washer 9/32 x 7/8 x 13 Gauge
21	17490516	Screw Hex Wh Thd Rol 5/16-18 x 1

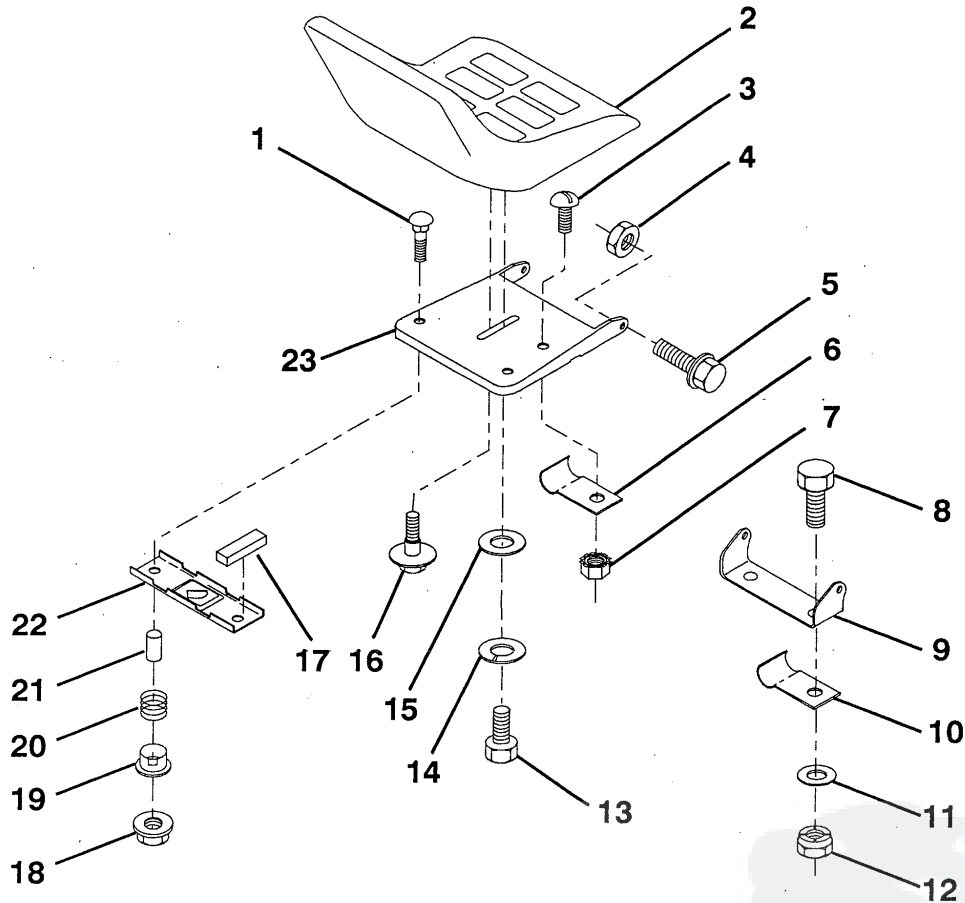
NOTE: All component dimensions given in U.S. inches.
1 inch = 25.4 mm

HARDWARE SHOWN LARGER FOR EASIER IDENTIFICATION

REPAIR PARTS

10 HP 36" TRACTOR - - MODEL NUMBER 6A1A1A

SEAT



KEY NO.	PART NO.	DESCRIPTION
1	72050411	Bolt, Carriage 1/4-20 x 1-3/8
2	134647	Seat
3	74641008	Screw, Slotted Pan Head #10-32 x 1/2
4	73680500	Nut, Crownlock 5/16-18
5	105529X	Bolt, Shoulder 5/16-18 UNC
6	4171R	Clip, Insulated
7	73951000	Nut, Keps #10-32 UNF
8	74760612	Bolt, Hex, Fin 3/8-16 UNC x 3/4
9	126656X	Bracket, Pivot, Seat
10	126471X	Clip, Insulated
11	19131210	Washer 13/32 x 3/4 x 10 Gauge
12	73680600	Nut, Crownlock 3/8-16 UNC

KEY NO.	PART NO.	DESCRIPTION
13	74780814	Bolt, Fin Hex 1/2 - 13 x 7/8 Gr. 5
14	10040800	Washer Lock Hvy HLCL Spr. 1/2
15	19171912	Washer 17/32 x 13/16 x 12 Gauge
16	127018X	Bolt, Shoulder
17	121251X	Strip, Foam
18	123976X	Locknut, Hex, Large, Flange
19	121248X	Bushing, Snap
20	121250X	Spring, Compression
21	134300	Spacer, Split, Large .28 Id. x .96
22	121246X	Bracket, Switch, Mounting
23	131451	Pan, Seat

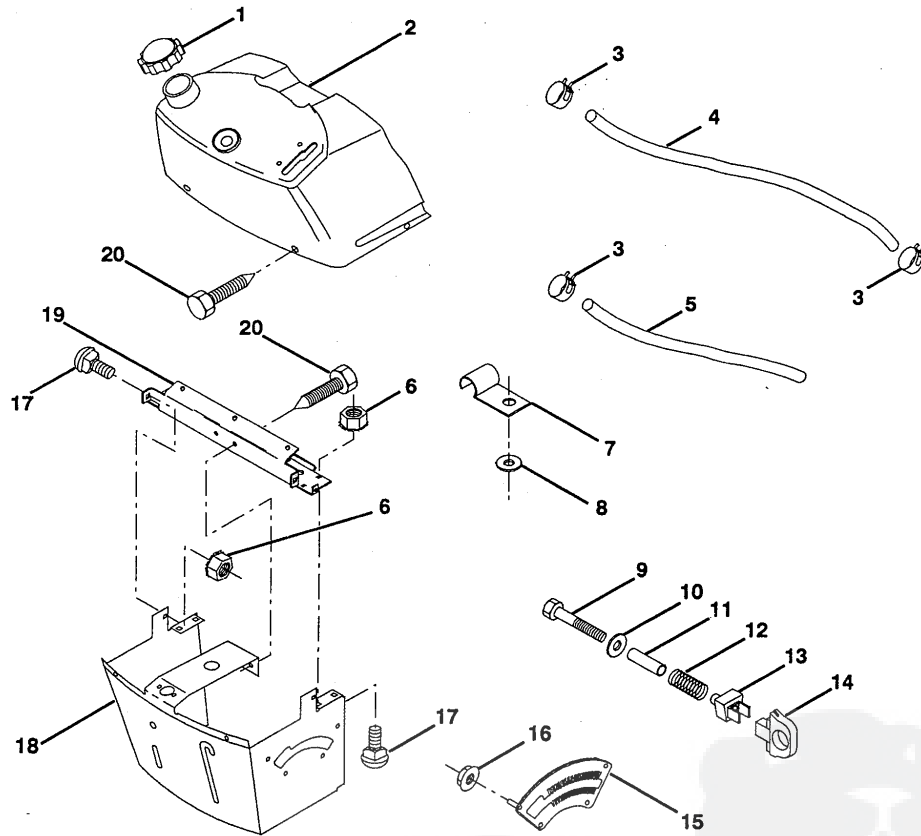
NOTE: All component dimensions given in U.S. inches.
1 inch = 25.4 mm

HARDWARE SHOWN LARGER FOR EASIER IDENTIFICATION

REPAIR PARTS

10 HP 36" TRACTOR -- MODEL NUMBER 6A1A1A

DASH



KEY NO.	PART NO.	DESCRIPTION
1	132734	Cap, Fuel
2	138393	Assembly, Dash & Fuel Tank
3	123487X	Clamp, Hose
4	8544R	Line, Fuel
5	8548R	Line, Fuel
6	73510400	Nut, Hex, Keps 1/4-20
7	2751R	Clip, Fuel Line
8	19091216	Washer 9/32 x 3/4 x 16 Gauge
9	74760428	Bolt, Hex, Fin. 1/4-20 x 1-3/4
10	19091413	Washer 11/32 x 11/16 x 16 Gauge
11	121249X	Spacer, Split
12	3720R	Spring

KEY NO.	PART NO.	DESCRIPTION
13	126450X	Clip, Height Adjustment
14	126115X	Knob, Height Stop
15	122023X	Adjustment, Quadrant Height
16	124346X	Nut, Self-Threading 3/16-18
17	72110404	Bolt, Carriage 1/4-20 x 1/2 Grade 5
18	130745	Support Assembly, Dash
19	134744	Brace, Cross
20	17060408	Screw Tap R 1/4-20 x 1/2

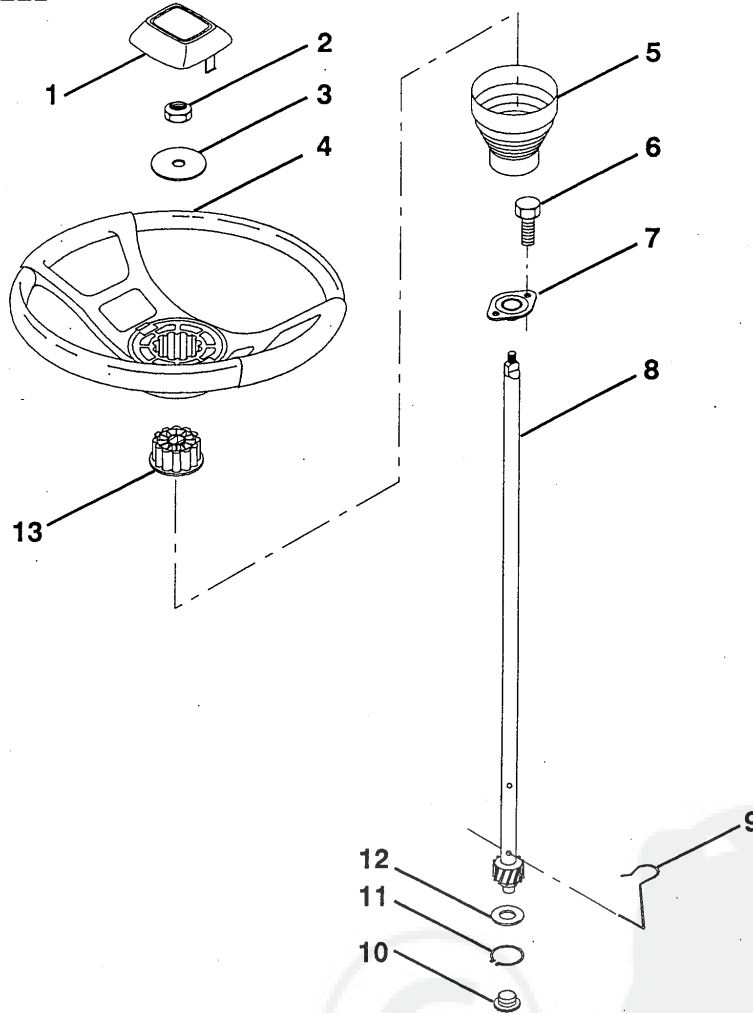
NOTE: All component dimensions given in U.S. inches.
1 inch = 25.4 mm

HARDWARE SHOWN LARGER FOR EASIER IDENTIFICATION

REPAIR PARTS

10 HP 36" TRACTOR - - MODEL NUMBER 6A1A1A

STEERING WHEEL



KEY NO.	PART NO.	DESCRIPTION
1	133742	Insert, Steering Wheel
2	7810H	Locknut 3/8-24 UNF
3	19133808	Washer 13/32 x 2-3/8 x 8 Ga.
4	133741	Wheel, Steering
5	121897X	Sleeve, Steering
6	17431008	Screw, Hex Self-Tapping #10-16 x 1/2
7	102803X	Bushing, Steering
8	123651X	Shaft, Steering

KEY NO.	PART NO.	DESCRIPTION
9	124210X	Clip, Steering
10	123438X	Bushing, Lower, Steering
11	12000045	Ring, Retaining
12	19211616	Washer 21/32 x 1 x 16 Ga.
13	104820X	Adaptor, Steering Wheel

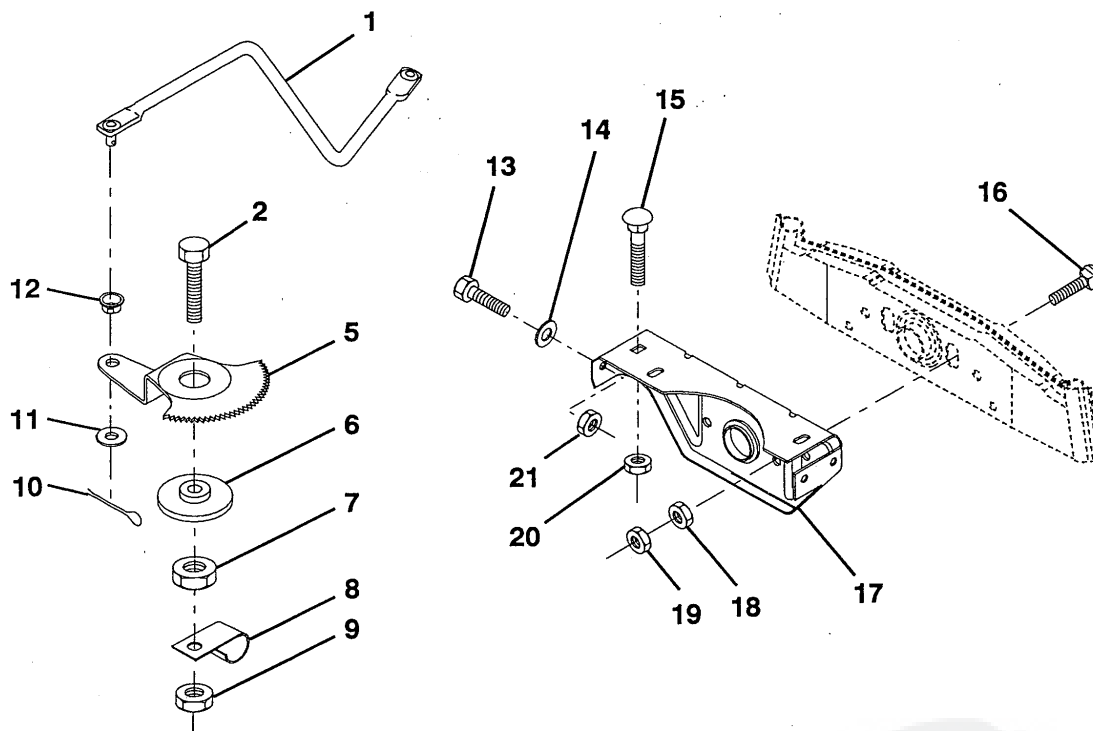
NOTE: All component dimensions given in U.S. inches.
1 inch = 24.5 mm

HARDWARE SHOWN LARGER FOR EASIER IDENTIFICATION

REPAIR PARTS

10 HP 36" TRACTOR -- MODEL NUMBER 6A1A1A

SECTOR GEAR / AXLE SUPPORT



KEY NO.	PART NO.	DESCRIPTION
1	132566	Link, Drag
2	74780828	Bolt, Hex, Fin. 1/2-13 x 1-3/4
5	121926X	Gear, Sector
6	121927X	Bushing
7	73030800	Nut, Heavy, Hex, Top Lock 1/2-13 UNC
8	126472X	Clip, Wire
9	73680800	Nut, Crownlock 1/2-13
10	76020412	Pin, Cotter 1/8 x 3/4
11	19131316	Washer 13/32 x 13/16 x 16 Ga.

KEY NO.	PART NO.	DESCRIPTION
12	126847X	Bushing
13	74760512	Bolt, Hex Hd. 5/16-18 x 3/4
14	19111416	Washer 11/32 x 7/8 x 16 Ga.
15	72110606	Bolt, Carriage 3/8-16 UNC x 3/4
16	72140622	Bolt, Carriage 3/8-16 x 2-3/4
17	121912X	Support, Front Axle
18	73220600	Nut, Hex, Fin. 3/8-16 UNC
19	73930600	Nut, Centerlock 3/8-16 UNC
20	73680600	Nut, Crownlock 3/8-16 UNC
21	73680500	Nut, Crownlock 5/16-18

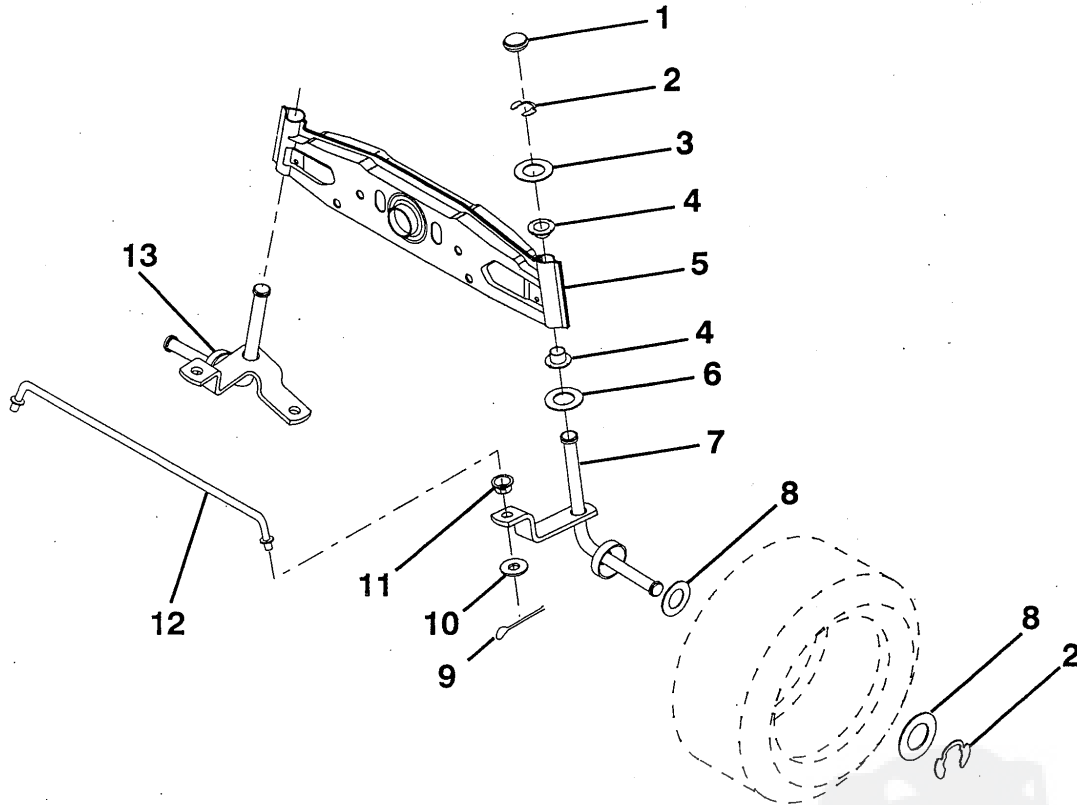
NOTE: All component dimensions given in U.S. inches.
1 inch = 25.4 mm

HARDWARE SHOWN LARGER FOR OR EASIER IDENTIFICATION

REPAIR PARTS

10 HP 36" TRACTOR - - MODEL NUMBER 6A1A1A

FRONT AXLE



KEY NO.	PART NO.	DESCRIPTION
1	121232X	Cap, Spindle
2	12000029	Ring, Klip
3	121748X	Washer 25/32 x 1-5/8 x 16 Gauge
4	121922X	Nyliner
5	121914X	Axle, Front
6	6266H	Bearing, Thrust
7	121919X	Spindle Assembly, R.H.
8	121749X	Washer 25/32 x 1-1/4 x 16 Gauge
9	76020412	Pin, Cotter 1/8 x 3/4

KEY NO.	PART NO.	DESCRIPTION
10	19131316	Washer 13/32 x 13/16 x 16 Gauge
11	126847X	Bushing
12	121924X	Rod, Tie
13	121916X	Spindle Assembly, L.H.

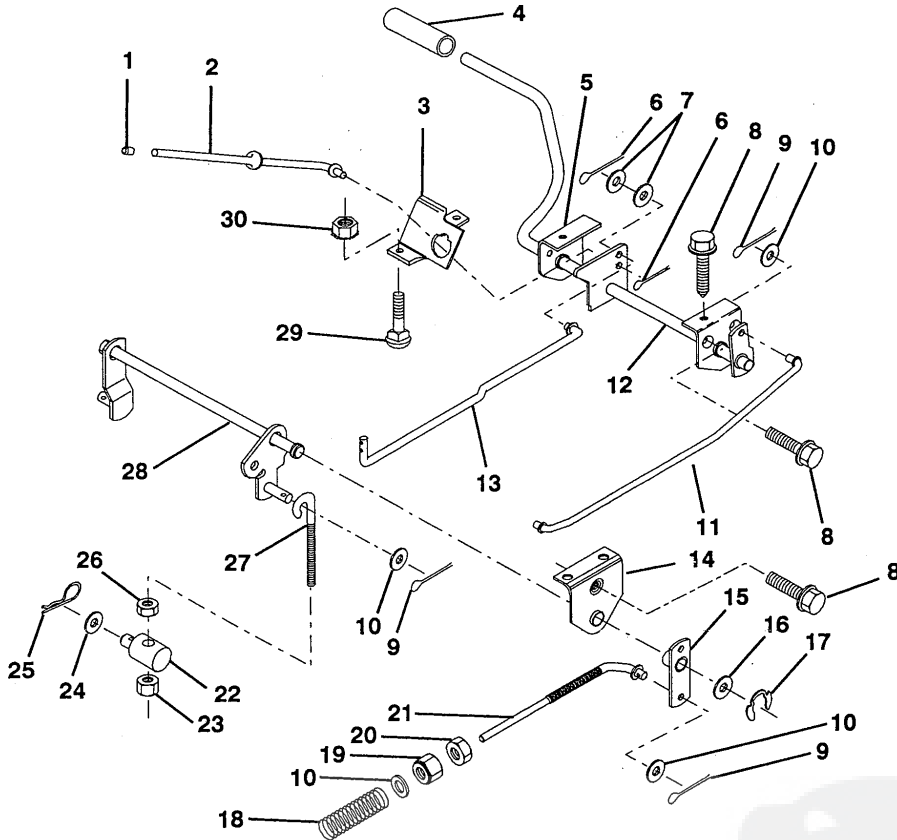
NOTE: All component dimensions given in U.S. inches
1 inch = 25.4 mm

HARDWARE SHOWN LARGER FOR EASIER IDENTIFICATION

REPAIR PARTS

10 HP 36" TRACTOR -- MODEL NUMBER 6A1A1A

BRAKE / REAR MOWER LIFT ASSEMBLY



KEY NO.	PART NO.	DESCRIPTION
1	71673	Cap, Parking Brake
2	123436X	Rod, Parking Brake
3	123437X	Bracket, Parking Brake
4	8156H	Cover, Pedal
5	122504X	Bracket, Pedal Clutch LH
6	76020312	Pin, Cotter 3/32 x 3/4
7	19131016	Washer 13/32 x 5/8 x 16 Gauge
8	17490508	Screw, Hex, Thd. Roll. 5/16-18 x 1/2
9	76020412	Pin, Cotter 1/8 x 3/4
10	19131316	Washer 13/32 x 13/16 x 16 Gauge
11	123543X	Rod, Front Brake
12	129567	Assembly, Clutch/Brake Pedal
13	123394X	Rod, Clutch
14	121978X	Bracket, Lift, Shaft
15	123641X	Assembly, Brake, Pivot, Arm
16	19251816	Washer 25/32 x 1-1/8 x 16 Gauge
17	12000034	Ring, Klip

KEY NO.	PART NO.	DESCRIPTION
18	106888X	Spring, Brake Rod
19	73800600	Nut, Lock Hex W/Wsh 3/8-16
20	73350600	Nut, Hex, Jam 3/8-16 UNC
21	131936	Rod, Rear Brake
22	127378	Trunnion, Lift
23	73680600	Nut, Crownlock 3/8-16 UNC
24	19132012	Washer 13/32 x 1-1/4 x 12 Gauge
25	4921H	Spring, Retainer
26	73930600	Nut, Centerlock 3/8-16 UNC
27	127369	Link, Threaded
28	127358	Assembly, Rear Mower Lift
29	72110506	Bolt, Carriage 5/16-18 UNC x 3/4
30	73510500	Nut, Keps 5/16-18 UNC

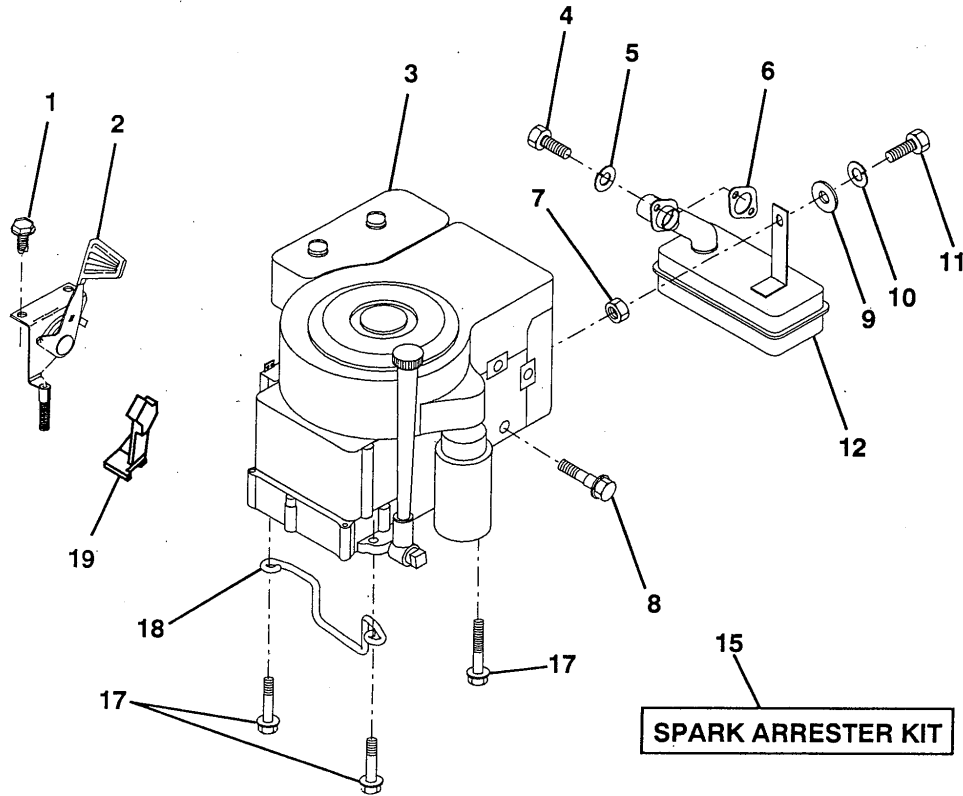
NOTE: All component dimensions given in U.S. inches
1 inch = 25.4 mm

HARDWARE SHOWN LARGER FOR EASIER IDENTIFICATION

REPAIR PARTS

10 HP 36" TRACTOR - - MODEL NUMBER 6A1A1A

ENGINE / THROTTLE



**KEY PART
NO. NO.**

DESCRIPTION

1	17060408	Screw, TA Semi-Gimlet 1/4-20 x 1/2
2	133025	Control, Throttle
3	-----	Engine, Briggs and Stratton, 10 HP Model No. 254707
4	71070512	Screw, Hex Head Cap 5/16-18 x 3/4
5	10040500	Washer, Lock, Heavy Helical Spring 5/16
6	125593X	Gasket, Exhaust
7	73220500	Nut Fin Hex 5/16-18
8	121094X	Bolt, Shoulder 5/16 UNC

**KEY PART
NO. NO.**

DESCRIPTION

9	19101216	Washer 5/16 x 3/4 x 16 Gauge
10	10040400	Washer, Lock, Heavy Helical Spring 1/4
11	74760416	Bolt, Hex, Fin 1/4-20 UNC x 1
12	137437	Muffler
15	137180	Kit, Spark Arrester (Optional)
17	17490624	Screw, Hex Washer Head, Thd. Roll. 3/8-16 x 1-1/2
18	126636X	Keeper, Ground Drive Belt
19	127951	Stop, Throttle

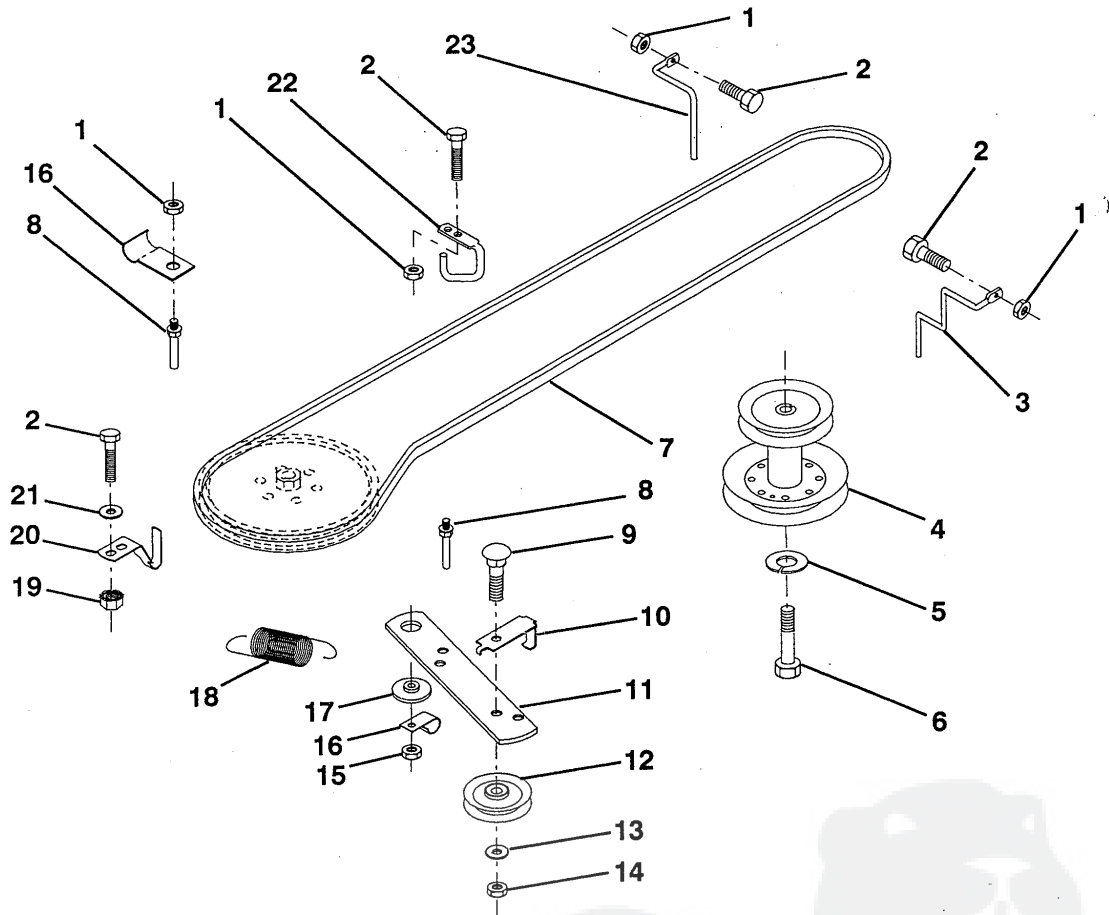
NOTE: All component dimensions given in U.S. inches
1 inch = 25.4 mm

HARDWARE SHOWN LARGER FOR EASIER IDENTIFICATION

REPAIR PARTS

10 HP 36" TRACTOR - - MODEL NUMBER 6A1A1A

GROUND DRIVE



KEY NO.	PART NO.
1	73680500
2	74760512
3	131205
4	134828
5	10040700
6	71170744
7	124525X
8	123405X
9	72140612
10	123396X
11	123395X
12	4859J

DESCRIPTION
Nut, Crownlock 5/16-18
Bolt, Hex 5/16-18 UNC x 3/4
Keeper, Mower Drive Belt, Engine, R.H.
Pulley, Engine
Washer, Lock, Heavy Helical Spring 7/16
Bolt, Hex, 7/16-20 x 2-3/4 Grade 5
Traction, V-Belt Drive
Keeper, T/A Ground Drive Belt
Bolt, Carriage 3/8-16 UNC x 1-1/2
Keeper, Ground Drive Belt, Idler
Arm, Ground Drive Clutch Idler, Flat

KEY NO.	PART NO.
13	19131316
14	73930600
15	73680600
16	126471X
17	122052X
18	131459
19	73510500
20	123891X
21	19111016
22	123404X
23	131204

DESCRIPTION
Washer 13/32 x 13/16 x 16 Gauge
Nut, Centerlock 3/8-16 UNC
Nut, Crownlock 3/8-16 UNC
Clip, Insulated
Spacer, Retainer
Spring, Extension
Nut, Keps 5/16-18 UNC
Keeper, T/A Ground Drive Belt
Washer 11/32 x 5/8 x 16 Gauge
Keeper, Ground Drive Belt, Frame
Keeper, Mower Drive Belt, L.H.

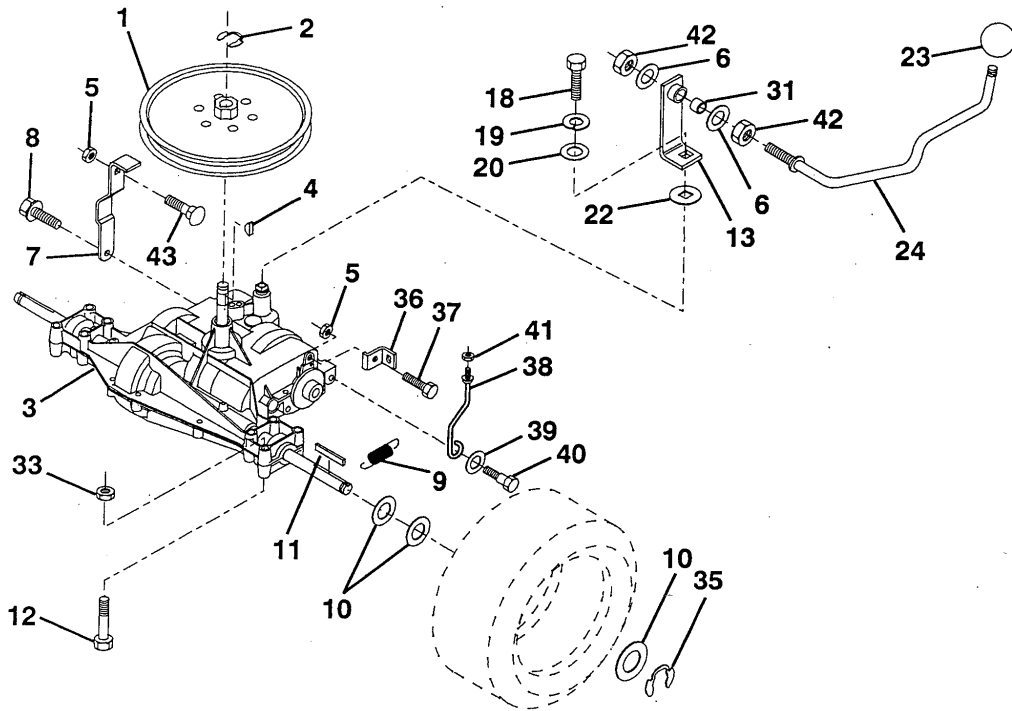
NOTE: All component dimensions given in U.S. inches
1 inch = 25.4 mm

HARDWARE SHOWN LARGER FOR EASIER IDENTIFICATION

REPAIR PARTS

10 HP 36" TRACTOR -- MODEL NUMBER 6A1A1A

TRANSAXLE



KEY NO.	PART NO.	DESCRIPTION	KEY NO.	PART NO.	DESCRIPTION
1	123385X	Pulley	22	105701X	Washer, Shift Plate
2	12000028	Ring, Retainer	23	106933X	Knob, Shift Control
3	131945	Transaxle Model Number 2000-07	24	131930	Rod, Shift Cntr LR
4	2228M	Key, Woodruff #9	31	132985	Spacer
5	73680500	Nut, Crownlock 5/16-18	33	73680600	Nut, Crownlock 3/8 - 16 UNC
6	10040700	Washer, Lock Hvy Hlcl Spr 7/16	35	12000001	E-Ring
7	131939	Strap, Torque	36	131935	Bracket, Brake
8	17490512	Screw 5/16-18 x 3/4	37	74760512	Bolt, Hex 5/16-18 x 3/4
9	110422X	Spring, Brake	38	131937	Keeper, Belt RH
10	121749X	Washer 25/32 x 1-1/4 x 16 Gauge	39	19171612	Washer 17/32 x 1 x 12 Ga.
11	123583X	Key, Square	40	132827	Bolt Shoulder 5/16-18
12	74760644	Bolt Fin Hex 5/16-18 x 2-1/2	41	73800500	Locknut Hex w/Ins 5/16-18
13	137491	Bracket Asm Shift Center	42	73220700	Nut, Hex ASF 7/16-14
18	71040412	Bolt, Hex, Fin. 1/4-28 UNF x 3/4 Grade 8	43	72140506	Bolt, Carriage 5/16-18 UNC x 3/4
19	10040400	Washer, Lock 1/4			
20	19091210	Washer 9/32 x 3/4 x 10 Gauge			

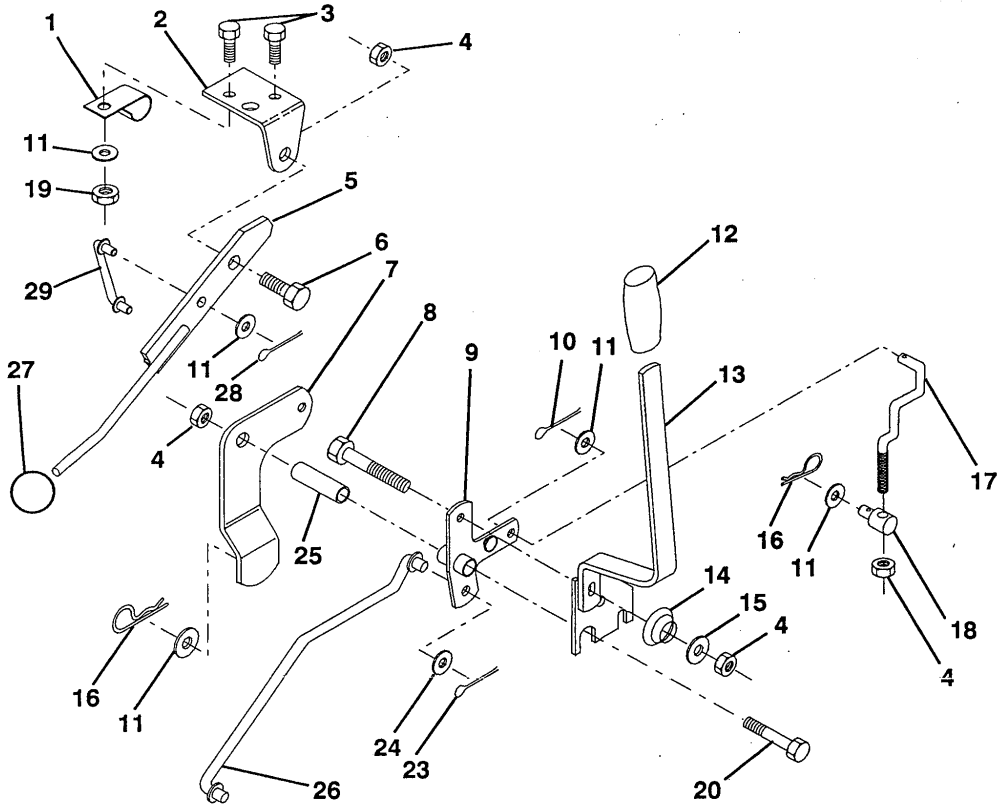
NOTE: All component dimensions given in U.S. inches
1 inch = 25.4 mm

HARDWARE SHOWN LARGER FOR EASIER IDENTIFICATION

REPAIR PARTS

10 HP 36" TRACTOR -- MODEL NUMBER 6A1A1A

MOWER LIFT LEVER



KEY NO.	PART NO.	DESCRIPTION
1	126470X	Clip, Insulated
2	122018X	Bracket, Mower Clutch
3	74780408	Bolt, Hex, Fin 1/4-20 UNC x 1/2 Grade 5
4	73680600	Nut, Crownlock 3/8-16 UNC
5	123417X	Assembly, Clutch Lever
6	106451X	Bolt, Shoulder
7	135371	Assembly, Mower Clutch Arm
8	74760636	Bolt, Hex 3/8-16 UNC x 2-1/4
9	121930X	Assembly, Bellcrank, Lift
10	76020412	Pin, Cotter 1/8 x 3/4
11	19131316	Washer 13/32 x 13/16 x 16 Gauge
12	131861	Sleeve, Handle
13	127028	Assembly, Lift Handle
14	123496X	Spring, Compression
15	19131212	Washer 13/32 x 3/4 x 12 Gauge
16	4921H	Retainer, Spring

KEY NO.	PART NO.	DESCRIPTION
17	127359	Link, Front Lift
18	133205	Trunnion, Threaded 3/8-16
19	73680400	Nut, Crownlock 1/4-20
20	74760644	Bolt, Hex, Fin. 3/8-16 UNC x 2-3/4
23	76020416	Pin, Cotter 1/8 x 1
24	19171616	Washer 17/32 x 1 x 16 Gauge
25	121933X	Tube, Spacer
26	121934X	Rod, Mower Lift
27	106932X	Grip
28	76020312	Pin, Cotter 3/32 x 3/4
29	131655	Link, Mower Clutch

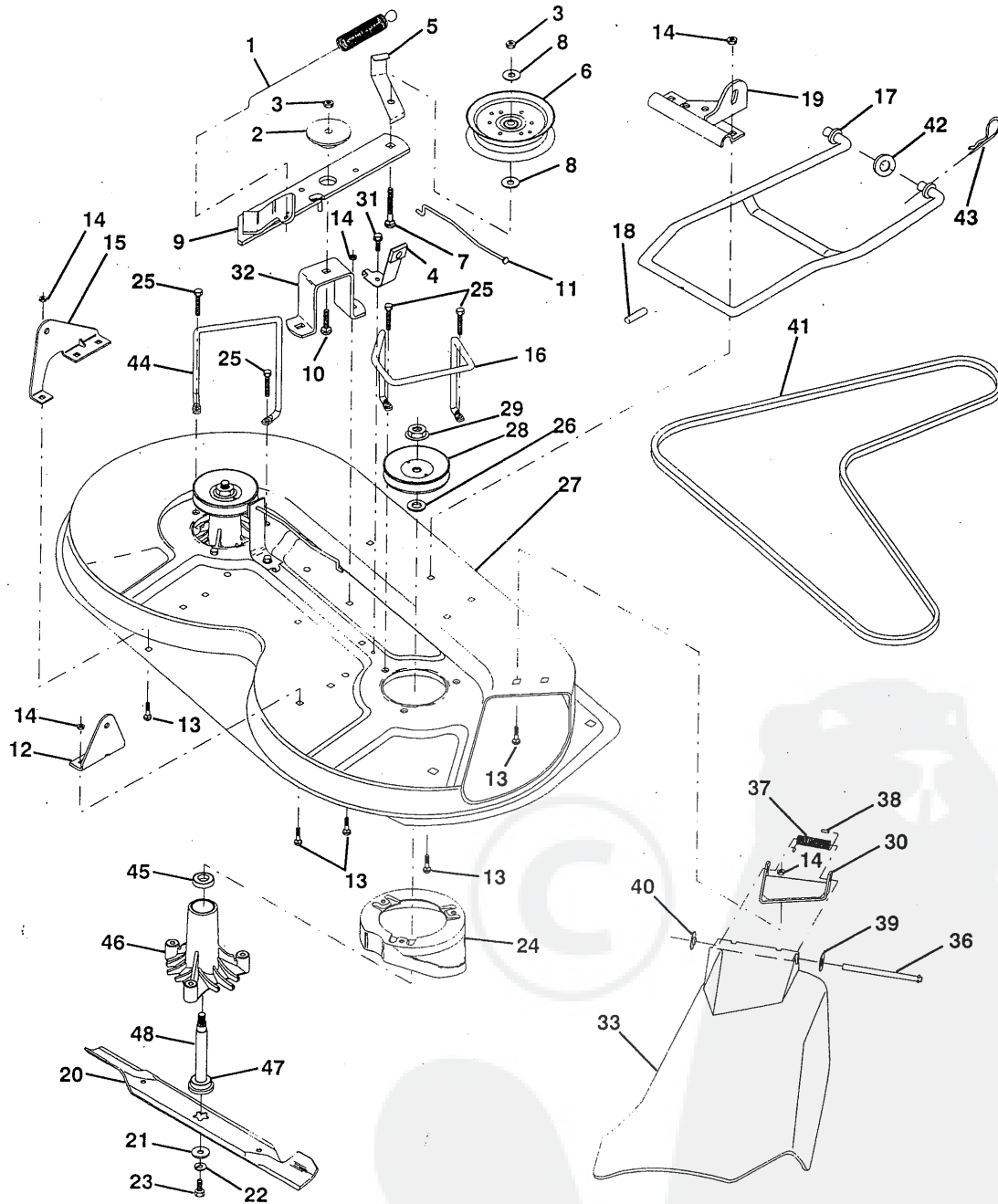
NOTE: All component dimensions given in U.S. inches
1 inch = 25.4 mm

HARDWARE SHOWN LARGER FOR EASIER IDENTIFICATION

REPAIR PARTS

10 HP 36" TRACTOR - - MODEL NUMBER 6A1A1A

MOWER DECK



REPAIR PARTS

10 HP 36" TRACTOR -- MODEL NUMBER 6A1A1A

MOWER DECK

KEY NO.	PART NO.	DESCRIPTION
1	127743	Spring, Mower Clutch
2	122052X	Spacer, Retainer
3	73680600	Nut, Crownlock 3/8-16 UNC
4	130840	Assembly, Brake
5	131251	Guide, Belt Idler
6	121316X	Idler, Flat
7	72110616	Bolt, Carriage 3/8-16 x 2 Grade 5
8	19131410	Washer 13/32 x 7/8 x 10 Gauge
9	127744	Assembly, Mower Idler Arm
10	72110608	Bolt, Carriage 3/8-16 UNC x 1
11	130841	Rod, Brake
12	127356	Bracket, Rear Lift, R.H.
13	72140505	Bolt, Carriage 5/16-18 UNC x 5/8
14	73680500	Nut, Crownlock 5/16-18
15	127357	Bracket, Rear Lift, L.H.
16	130837	Keeper, R.H.
17	128508	Stabilizer, Mower Link
18	128511	Pin, Drive
19	127380	Bracket, Stabilizer Link
20	131321	Blade
21	129962	Washer, Hard
22	10030600	Washer, Lock, Heavy 3/8
23	850857	Bolt 3/8-24 x 1-1/4 Grade 8
24	136929	Stripper
25	78158	Bolt 5/16-18 x 1-1/4
26	129963	Washer .150 Thick
27	129983	Housing, Mower
28	129207	Pulley, Mandrel
29	73050900	Nut, Flangelock 9/16
30	136631	Bracket, Deflector
31	17490508	Screw, Hex Washer Head, Thd. Roll. 5/16-18 x 1/2
32	122051X	Arm, Support Idler, Mower
33	131560	Shield, Deflector
36	121980X	Rod, Hinge
37	123713X	Spring, Torsion Deflector
38	105304X	Cap, Sleeve
39	19111016	Washer 11/32 x 5/8 x 16 Gauge
40	110452X	Nut, Push
41	131264	V-Belt
42	19171616	Washer 11/32 x 5/8 x 16 Gauge
43	3146R	Clip, Hairpin
44	130836	Keeper, L.H.
45	110485X	Bearing
46	128774	Housing, Mandrel, Vented
47	129895	Bearing
48	133172	Shaft, Mandrel (Includes Key #47)
—	130794	Mandrel Assembly (Includes Key Numbers 21-23, 26, 29 and 45-48)
—	136316	Deck Service Complete

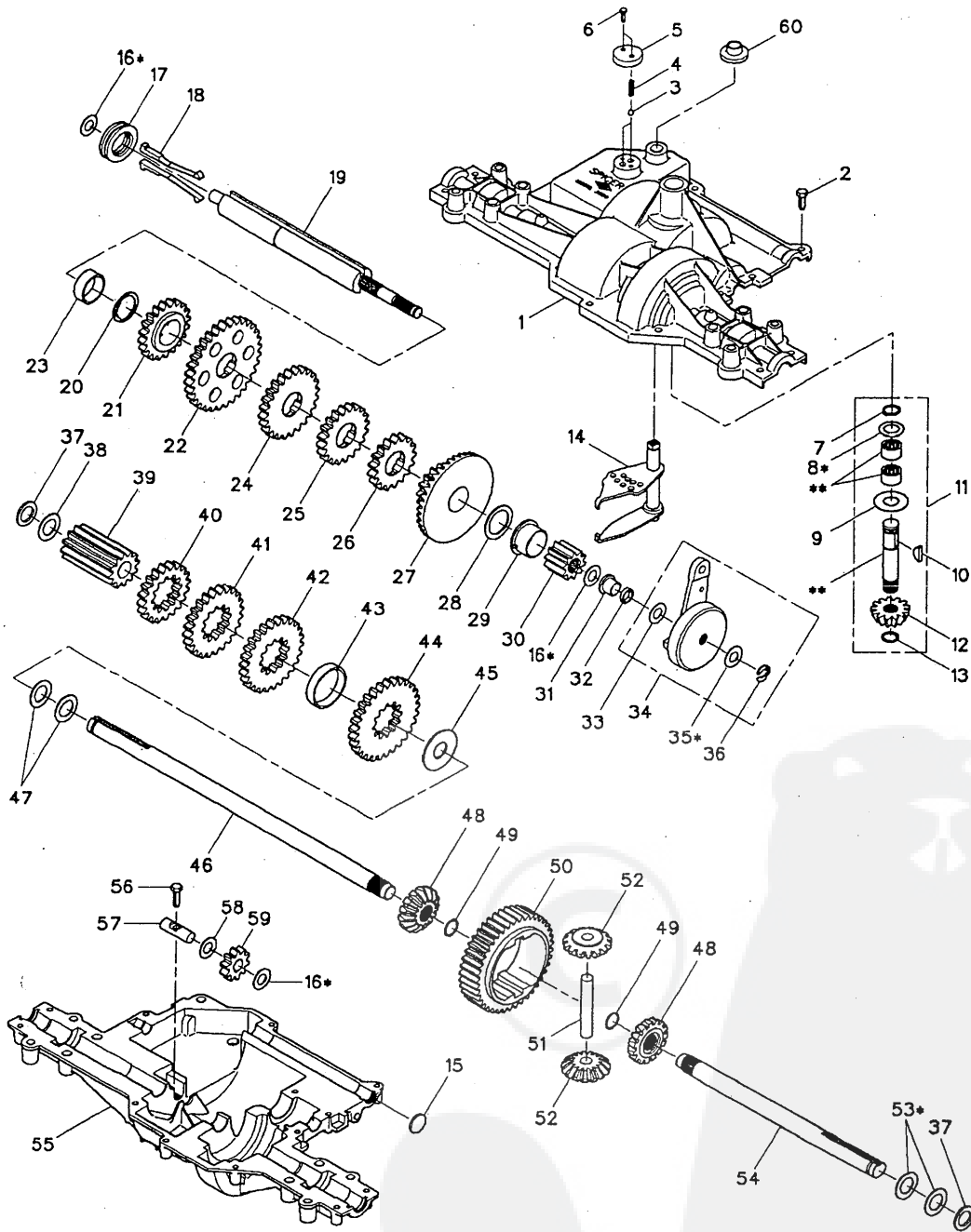
NOTE: All component dimensions given in U.S. inches
1 inch = 25.4 mm

HARDWARE SHOWN LARGER FOR EASIER IDENTIFICATION

REPAIR PARTS

10 HP 36" TRACTOR - - MODEL NUMBER 6A1A1A

DANA TRANSAXLE - MODEL NUMBER 2000-07



REPAIR PARTS

10 HP 36" TRACTOR - - MODEL NUMBER 6A1A1A

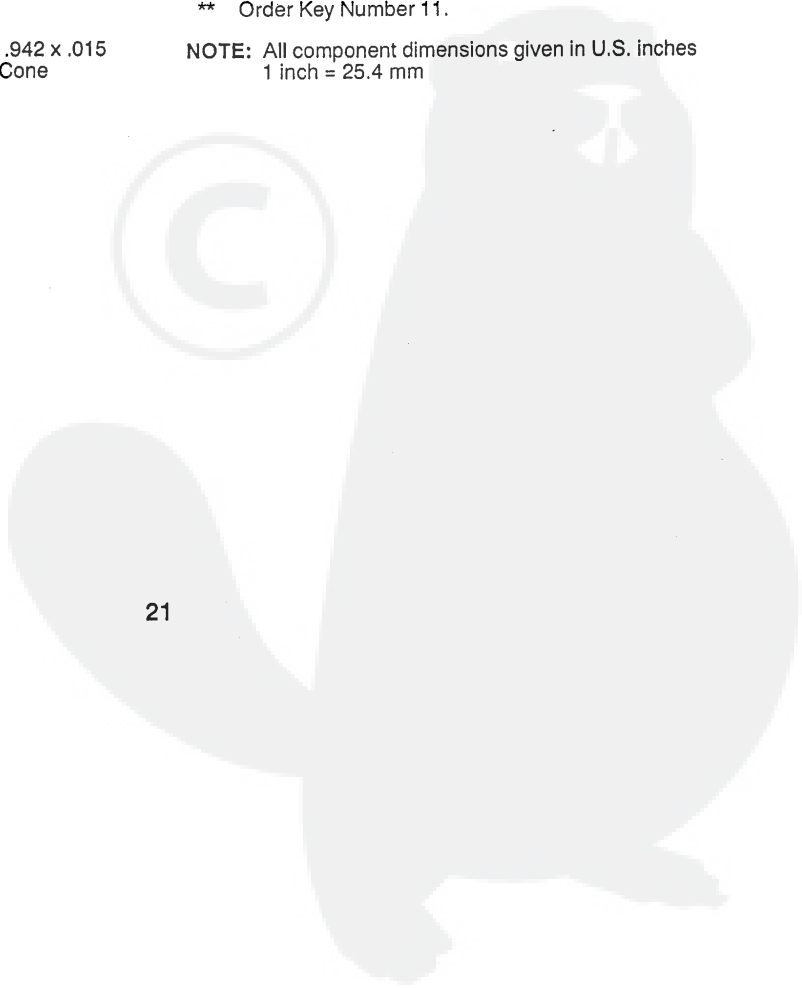
DANA TRANSAXLE - MODEL NUMBER 2000-07

KEY PART NO. NO.	DESCRIPTION	KEY PART NO. NO.	DESCRIPTION
1 139171	Housing, Upper	35 134395	Assembly, Kit, Shim .464 Shaft
2 2274J	Screw, Tapping, Large 1/4-20 x .734	36 134438	Klip Ring
3 134400	Ball, Detent	37 134401	Washer, Neoprene
4 134423	Spring, Detent	38 2263J	Washer, Plain .758 x 1.25 x .062
5 134422	Cover, Detent	39 134411	Gear, Spur, 12 Teeth
6 6731J	Screw, Tapping, Large #8-32 x .50	40 134380	Gear, Spur, 20 Teeth
7 2267J	Ring, Retaining	41 134414	Gear, Spur, 24 Teeth
8 134793	Assembly, Kit, Shim .625 Shaft	42 134413	Gear, Spur, 26 Teeth
9 120415X	Washer, Plain .632 x 1.38 x .046	43 134433	Spacer 1.710 x 1.910 x .375
10 2257J	Key, Woodruff, #9	44 134412	Gear, Spur, 29 Teeth
11 134390	Assembly, Kit, Input Shaft	45 134382	Washer, Plain .758 x 1.88 x .062
12 134381	Pinion, Bevel, 13 Teeth	46 139167	Axle, L.H.
13 134383	Ring, Retaining	47 2264J	Washer, Plain .758 x 1.25 x .031
14 134387	Assembly, Shifter	48 110081X	Gear, Miter, 15 Teeth
15 134428	Seal	49 105941X	Ring, Retaining
16 134393	Assembly, Kit, Shim .500 Shaft	50 134419	Gear, Spur, 41 Teeth
17 105913X	Collar, Clutch	51 120952X	Shaft, Cross
18 134391	Assembly, Kit, Clutch Keys	52 110082X	Gear, Miter, 15 Teeth
19 134415	Shaft, Drive	53 134394	Assembly, Kit, Shim .750 Shaft
20 105916X	Ring, Retaining	54 139168	Axle, R.H.
21 134409	Gear, Spur, 20 Teeth	55 139169	Housing, Lower
22 134408	Gear, Spur, 32 Teeth	56 2274J	Screw, Tapping, Large 1/4-20 x .875
23 134432	Spacer 1.130 x 1.330 x .465	57 134385	Shaft, Idler
24 134406	Gear, Spur, 24 Teeth	58 120465X	Washer, Plain .505 x .942 x .020
25 134403	Gear, Spur, 20 Teeth	59 139170	Gear, Spur, 10 Teeth
26 134402	Gear, Spur, 17 Teeth	60 134399	Boot, Shifter
27 134431	Gear, Bevel, 39 Teeth, and Spur, 15 Teeth	61 120416X	Grease
28 134429	Washer, Plain 1.135 x 1.56 x .062		
29 134421	Bearing, Flange		
30 134418	Gear, Spur, 10 Teeth		
31 134420	Bearing, Flange		
32 134439	Seal		
33 120464X	Washer, Plain .505 x .942 x .015		
34 139166	Assembly, Kit, Brake Cone		

* Use in various combinations to maintain proper clearances.

** Order Key Number 11.

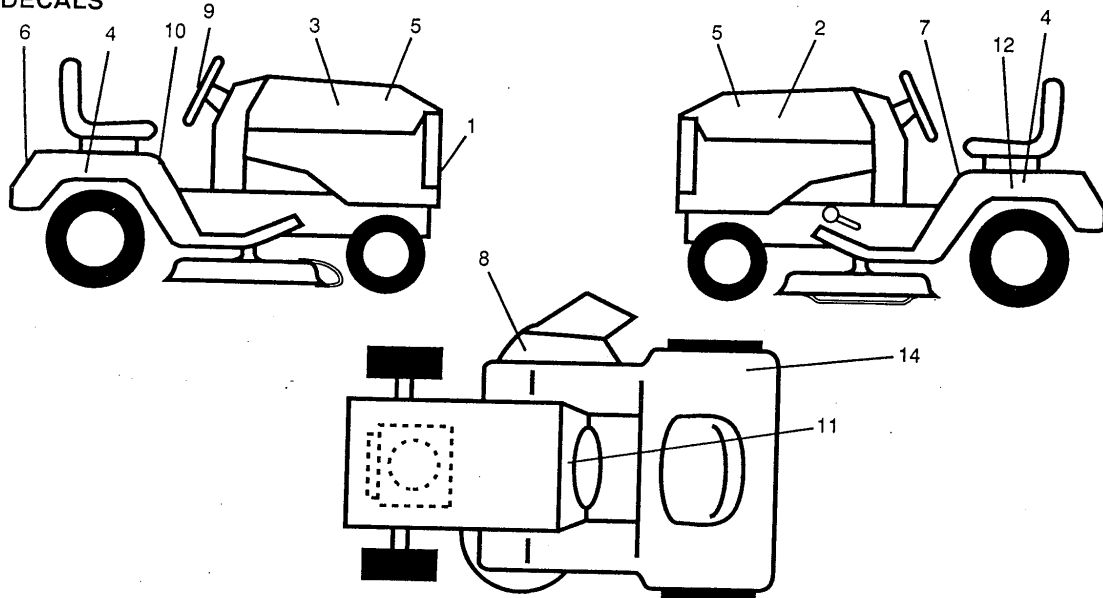
NOTE: All component dimensions given in U.S. inches
1 inch = 25.4 mm



REPAIR PARTS

10 HP 36" TRACTOR -- MODEL NUMBER 6A1A1A

DECALS



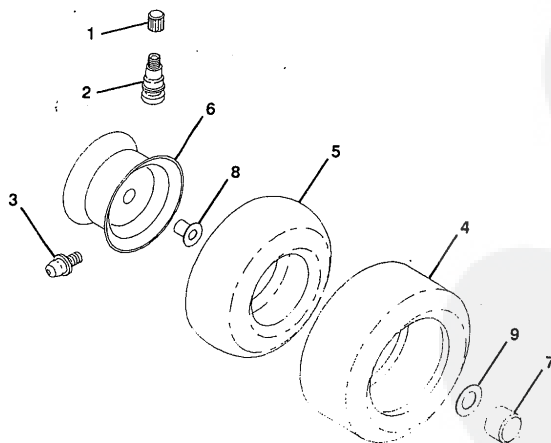
KEY PART NO. NO.

KEY PART NO. NO.	DESCRIPTION
1 132627	Decal, Grill Rally
2 130569	Decal, Stripe, Hood, L.H.
3 130568	Decal, Stripe, Hood, R.H.
4 138804	Decal, Fend Quickshf
5 139183	Decal, Hood Insert
6 132628	Decal, Fender
7 133795	Decal, Caution
8 137259	Decal, Warning

KEY PART NO. NO.

KEY PART NO. NO.	DESCRIPTION
9 127075	Decal, Wheel Strg
10 139181	Decal, Center Shift
11 123637X	Decal, Operating Instructions
12 121549X	Decal, Caution, Battery
14 125690X	Decal 100 DbA
-- 138698	Manual, Operator's (English)
-- 138699	Manual, Operator's (French)
-- 138770	Manual, Repair Parts (English/French)

WHEELS



KEY PART NO. NO.

KEY PART NO. NO.	DESCRIPTION
1 59192	Cap, Valve
2 65139	Stem, Valve
3 278H	Fitting, Grease (Front Only)
4 124142X	Tire, Front
5 59904	Tire, Rear
8134H	Tube, Tire, Front (Optional, Service Item Only)
8134H	Tube, Tire, Rear (Optional, Service Item Only)
6 122394X311	Rim Assembly, Front
123412X311	Rim Assembly, Rear
7 104757X	Cap, Axle
8 9040H	Bearing, Flange (Front Only)
9 121748X	Washer, Axle Cap