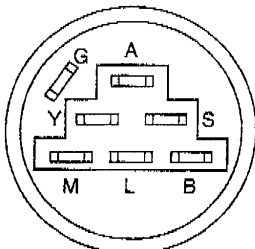
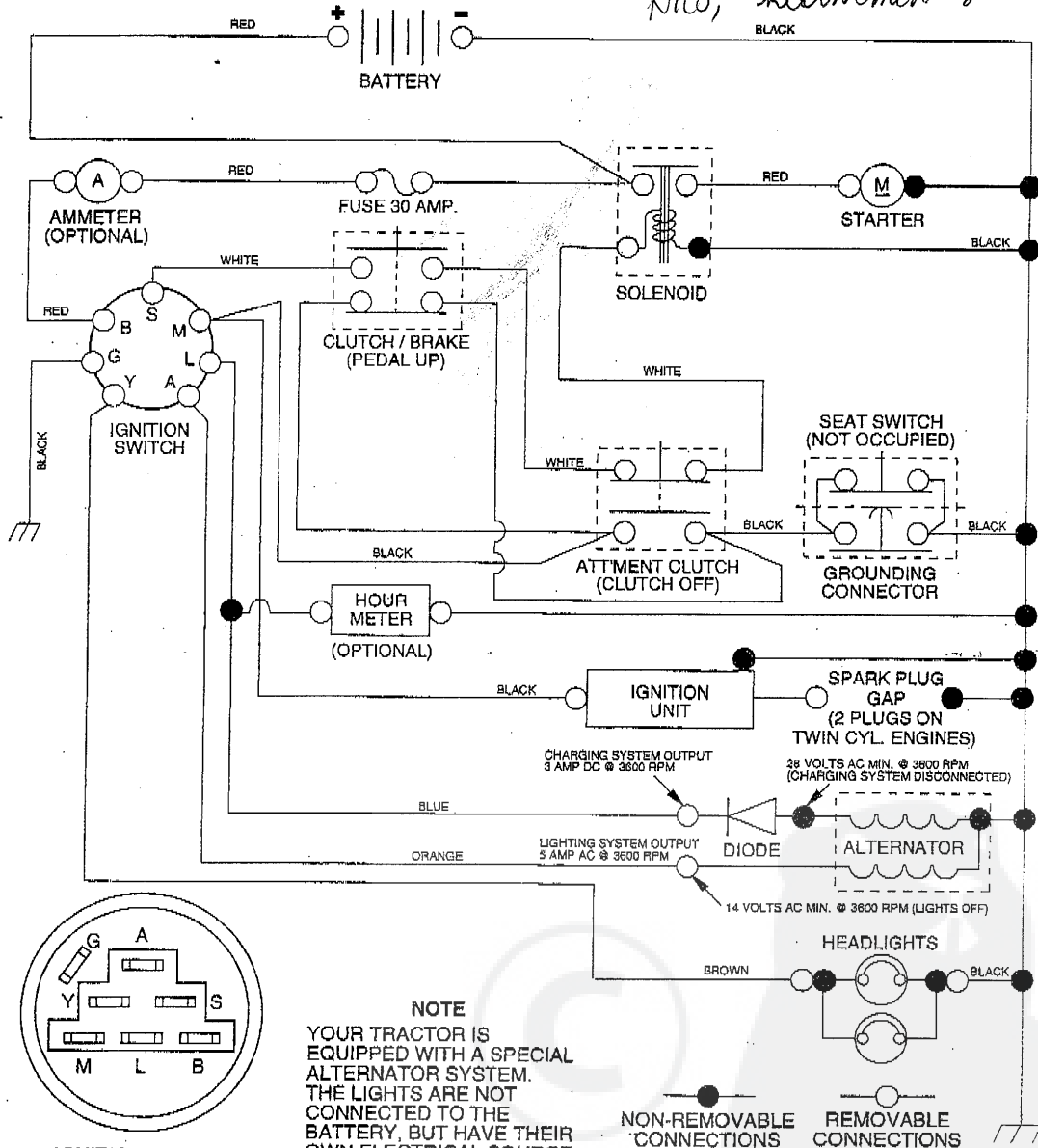


REPAIR PARTS

Nico, kloument

TRACTOR -- MODEL NUMBER Y13H42B

SCHEMATIC



IGNITION SWITCH

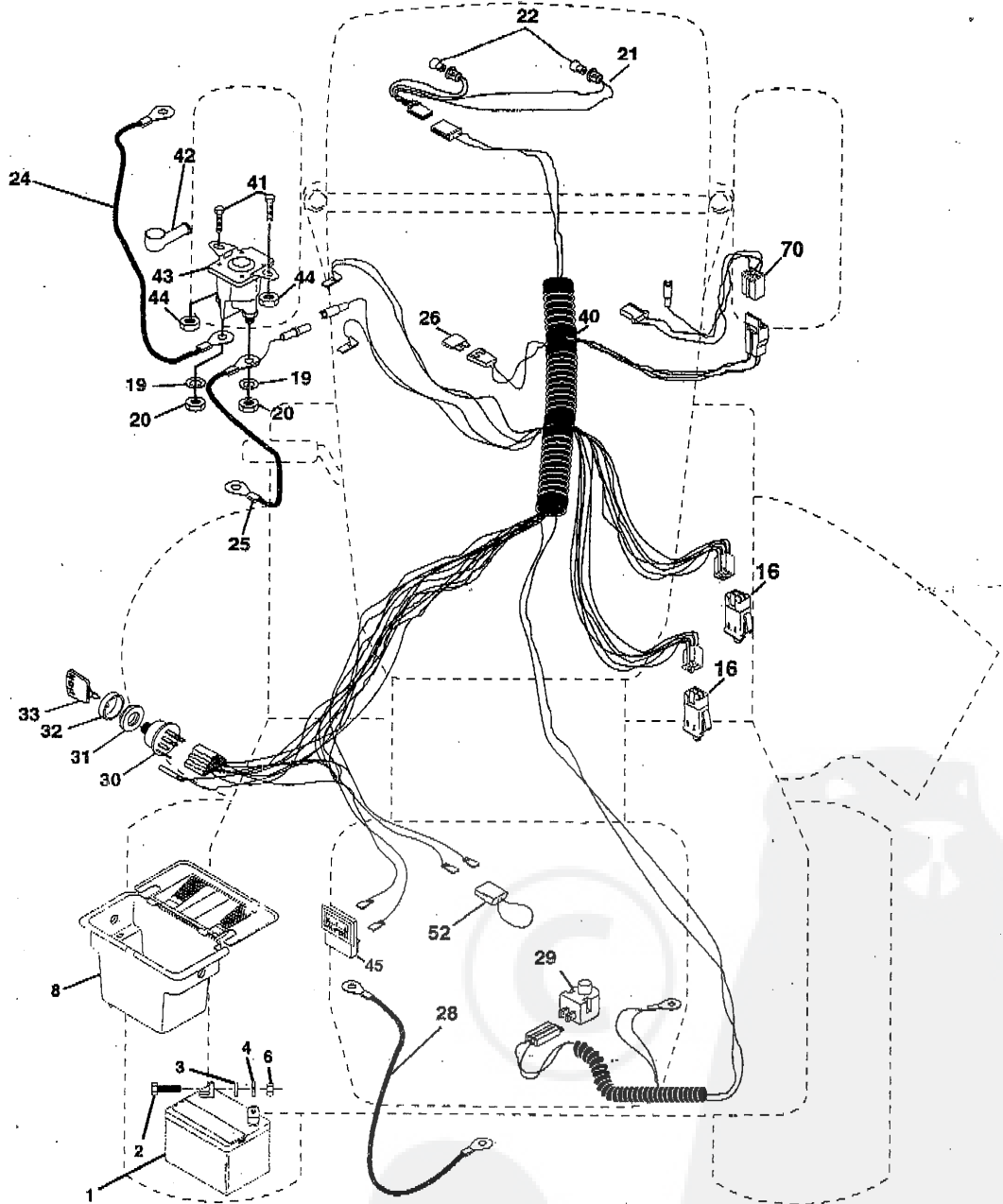
POSITION	CIRCUIT	"MAKE"
OFF	G + M + L	NONE
RUN/LIGHT	B + L	A + Y
RUN	B + L	NONE
START	B + L + S	NONE

NOTE
 YOUR TRACTOR IS EQUIPPED WITH A SPECIAL ALTERNATOR SYSTEM. THE LIGHTS ARE NOT CONNECTED TO THE BATTERY, BUT HAVE THEIR OWN ELECTRICAL SOURCE. BECAUSE OF THIS, THE BRIGHTNESS OF THE LIGHTS WILL CHANGE WITH ENGINE SPEED. AT IDLE THE LIGHTS WILL DIM. AS THE ENGINE IS SPEEDED UP, THE LIGHTS WILL BECOME THEIR BRIGHTEST.

WIRING INSULATED CLIPS
NOTE: IF WIRING INSULATED CLIPS WERE REMOVED FOR SERVICING OF UNIT, THEY SHOULD BE REPLACED TO PROPERLY SECURE YOUR WIRING.

TRACTOR - - MODEL NUMBER Y13H42B

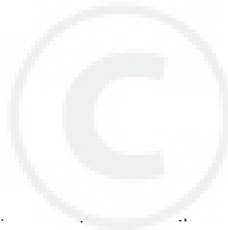
ELECTRICAL



REPAIR PARTS**TRACTOR - - MODEL NUMBER Y13H42B****ELECTRICAL**

KEY NO.	PART NO.	DESCRIPTION
1	144925	Battery 12 Volt 25 AMP
2	74760412	Bolt Hex Hd 1/4-20unc X 3/4
3	19091016	Washer 9/32 x 5/8 x 16 Ga.
4	10040400	Washer Lock Hvy Helical 1/4
6	73220400	Nut Fin Hex 1/4-20 Unc
8	156417	Case Battery
16	153664	Switch Interlock Push-In
19	10090400	Washer Lock 1/4
20	73350400	Nut Jam Hex 1/4-20 Unc
21	136850	Harness Asm Light W/4152j
22	4152J	Bulb Light #1156
24	4799J	Cable Battery 6 Ga 11" red
25	146147	Cable Battery 6 Ga 44" red
26	108824X	Fuse 30 AMP Auto Green
28	4207J	Cable Ground 6 Ga 12" black
29	121305X	Switch Plunger Nc Gray
30	140301	Switch Ign 4 pos w/lights
31	124211X	Nut Ignition
32	141226	Cover Sw Ignition
33	122147X	Key Ign Modledded Generic
40	156442	Harness Ignition LT PL Mech
41	71110408	Bolt Blk Fin Hex 1/4 - 20 x 1/2
42	131563	Cover Terminal Red
43	145673	Solenoid
44	73640400	Nut Keps Hex 1/4-20 Unc
45	121433X	Ammeter Rectangular 6 amp
52	141940	Protection Wire Loop
70	140413	Harness, Eng.

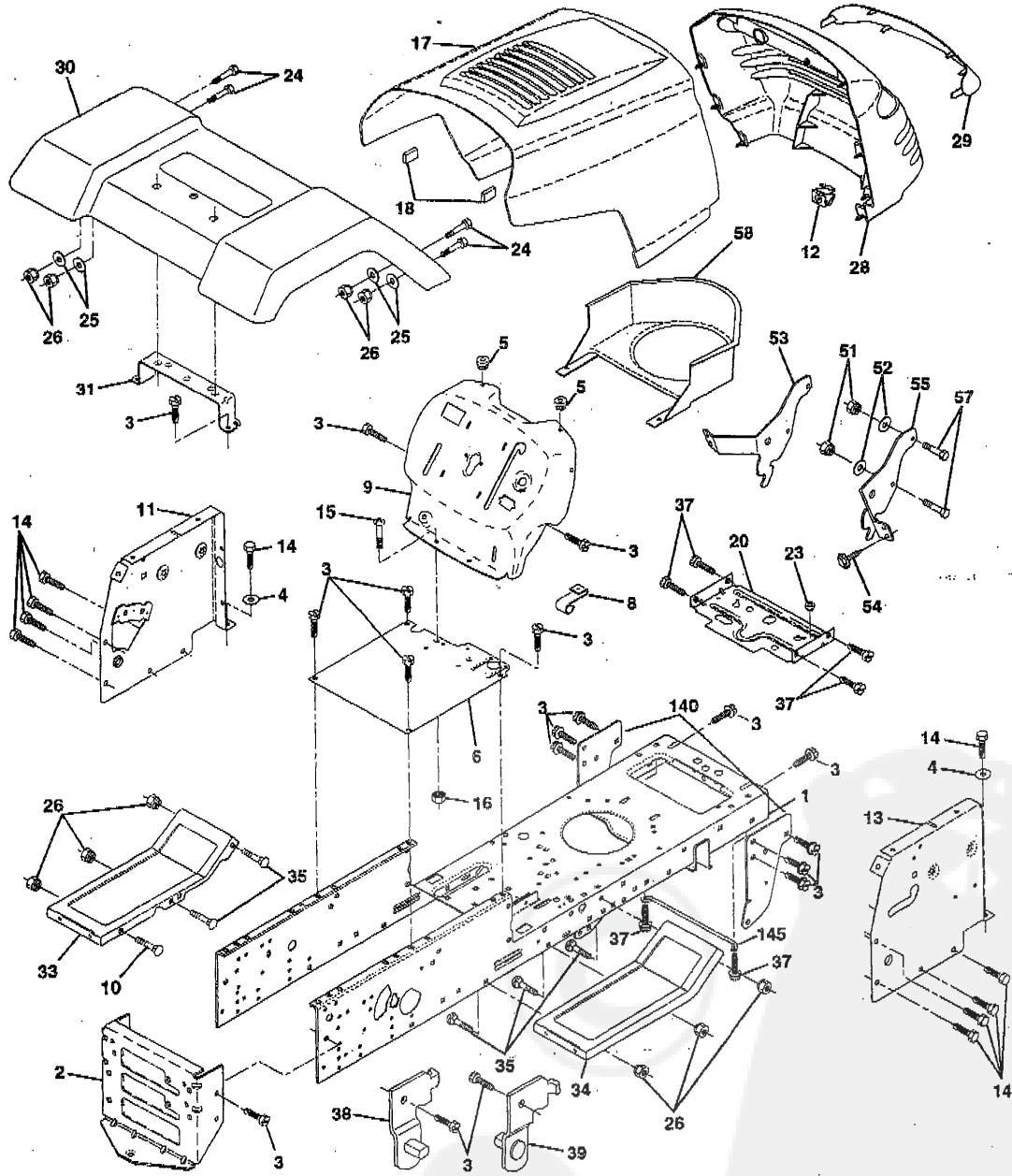
NOTE: All component dimensions give in U.S. inches
1 inch = 25.4 mm.



REPAIR PARTS

TRACTOR -- MODEL NUMBER Y13H42B

CHASSIS AND ENCLOSURES



TRACTOR

TRACTOR - - MODEL NUMBER Y13H42B

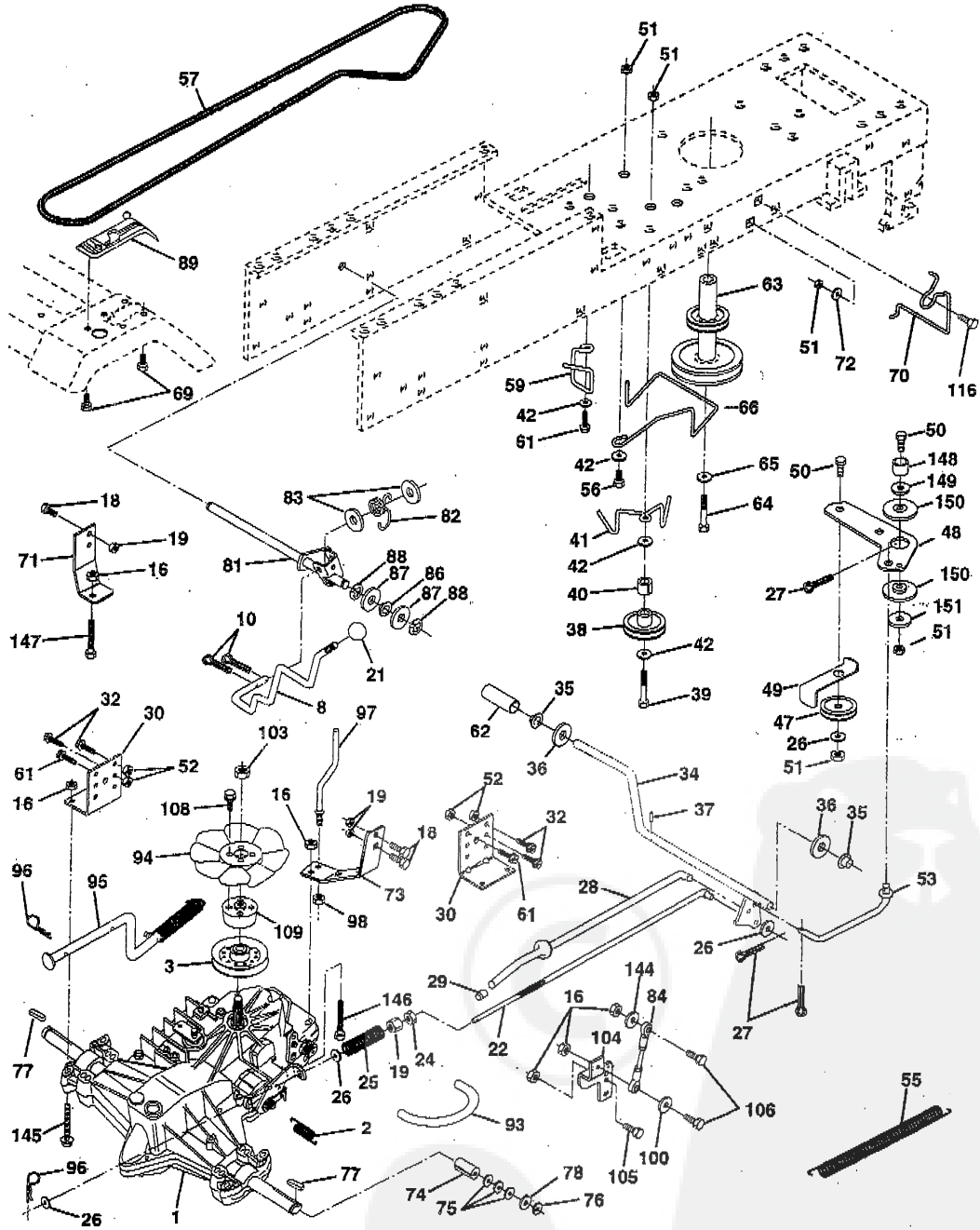
CHASSIS AND ENCLOSURES

KEY NO.	PART NO.	DESCRIPTION
1	160393	Chassis Weldment
2	140356	Drawbar, Stretch
3	17490612	Screw Thrdol 3/8-16x3/4 Ty-tt
4	19131216	Washer 13/32 x 3/4 x 16 Ga.
5	155272	Bumper Hood/Dash
6	155923	Saddle LT Fender Shift
8	155138	Clip Retainer Slide-On
9	161938X012	Dash Private Label
10	72140608	Bolt Carriage 3/8-16 x 1
11	155927	Panel Pnt Dash Lh
12	145660	Clip Tinnerman Grille P/L
13	155934X010	Panel Dash Rh
14	17490608	Screw Thrdol 3/8-16x1/2 Ty-tt
15	74180512	Screw, Mach Trhd 5/16-18 UNC x 3/4
16	73510500	Nut Keps 5/16-18 UNC
17	159699X505	Hood Paint Steel Private Label
18	126938X	Bumper Hood
20	156437	Plate Mtg Battery/Fuel Tank Fr.
23	124026X	Bushing Snap Nyl. Blk Fuel Line
24	74780616	Bolt Fin Hex 3/8-16unc X 1 Gr. 5
25	19131312	Washer 13/32 X 13/16 X 12 Ga
26	73800600	Nut Lock Hex W/Ins 3/8-16 Unc
28	157373	Grille Private Label
29	140273	Lens Grille Private Label
30	157583X505	Fender Pnt
31	136619	Bracket Fender
33	145244X505	Footrest Pnt Lh
34	145243X505	Footrest Pnt Rh
35	72110606	Bolt Rdhd Sht Sqnk 3/8-16 X3/4
37	17490508	Screw Thrdol 5/16-18 X 1/2 TYT
38	139886	Bracket, Asm. Pivot, L.H., Mower Rear
39	139887	Bracket, Asm. Pivot, R.H., Mower Rear
51	73800400	Nut Lock Hex W/Ins 1/4-20
52	19091416	Washer 9/32 x 7/8 x 16 Ga.
53	144697	Bracket, Grille, LH
54	161464	Screw Hex Wshd 8-18 x 7/8
55	144696	Bracket, Grille, RH
57	74780412	Bolt Hex 1/4-20 x 3/4
58	150127	Air Duct P/L
140	158418	Bracket Suspension Front
145	156524	Rod Pivot Chassis/Hood
--	5479J	Plug Button

NOTE: All component dimensions given in U.S. inches
1 inch = 25.4 mm

TRACTOR -- MODEL NUMBER Y13H42B

DRIVE



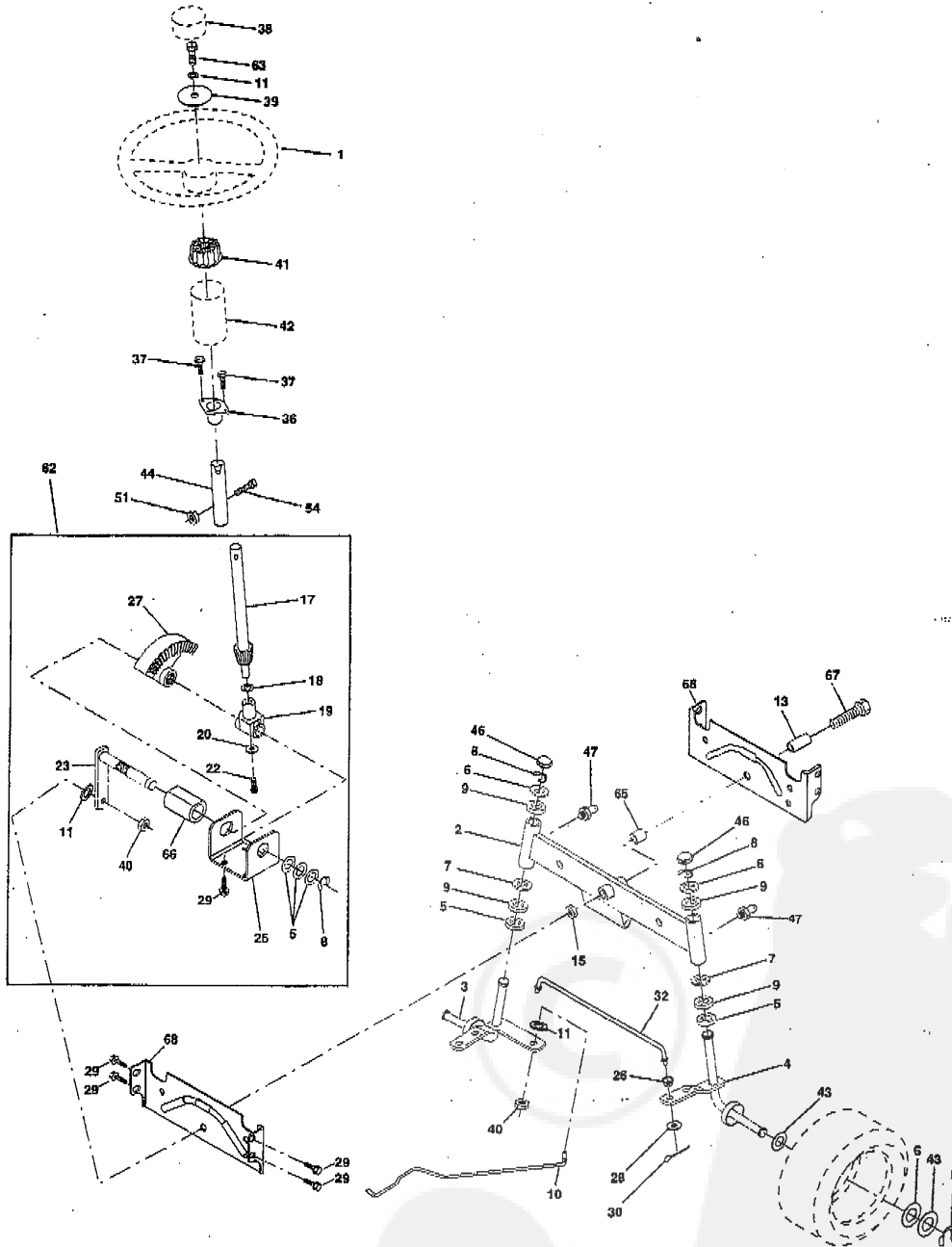
REPAIR PARTS**TRACTOR -- MODEL NUMBER Y13H42B****DRIVE**

KEY NO.	PART NO.	DESCRIPTION	KEY NO.	PART NO.	DESCRIPTION
1	140607	Transmission, Asm.	66	161488	Keeper, Belt Engine
2	142431	Spring, Return, Brake	69	142432	Screw
3	144698	Pulley, Transmission	70	134683	Guide, Belt, Mower Drive RH
8	141003	Rod, Shift	71	141417	Strap, Torque, Lh
10	76020416	Pin, Cotter 1/8 x 1	72	19132012	Washer 13/32 x 1-1/4 x 12 Ga.
16	73800500	Nut, Lock Hex w/Ins 5/16-18 UNC	73	141418	Strap, Torque, Rh
18	74780616	Bolt Hex 3/8-16 UNC x 1 Gr.5	74	121199X	Spacer, Split
19	73800600	Nut, Lock Hex w/Wsh 3/8-16 UNC	75	121749X	Washer 25/32 x 1-1/4 x 16 Ga.
21	140845	Knob Deluxe 1/2-13 Unc Blk/Blk	76	12000001	Ring, E
22	145627	Rod, Brake	77	123583X	Key, Square
24	73350600	Nut	78	121748X	Washer 25/32 x 1-5/8 x 16 Ga.
25	106888X	Spring, Rod, Brake	81	161081	Asm, Shaft
26	19131316	Washer 13/32 x 13/16 x 16 Ga.	82	123782X	Spring, Torsion
27	76020412	Pin, Cotter 1/8 x 3/4	83	19171216	Washer 17/32 x 3/4 x 16 Ga.
28	145204	Rod, Parking Brake	84	141423	Rod, Tie
29	71673	Cap, Parking Brake	86	157480	Bushing, Steering Rod
30	130807	Bracket, Transmission	87	19212016	Washer 21/32 x 1-1/4 x 16 Ga.
31	127275X	Keeper, Belt LH	88	12000008	Ring, Clip
32	74760512	Bolt Hex 5/16-18 UNC x 3/4	89	151147	Console, Shift
34	155071	Shaft, Foot Pedal	93	142564	Line Fuel
35	120183X	Bearing, Nylon	94	140462	Fan 7"
36	19211616	Washer	95	144643	Control Asm Bypass Hydro
37	1572H	Pin, Roll	96	4497H	Spring, Retainer 1"
38	123674X	Pulley, Idler, Flat	97	144201	Keeper, Belt Rh
39	74760644	Bolt	98	73510600	Nut Keps 3/8-16 UNC
40	4470J	Spacer, Split	100	19111216	Washer 11/32 x 3/4 x 16 Ga.
41	154777	Keeper, Belt, Idler	103	73940800	Nut, Hex Jam Toplock 1/2-20 UNF
42	19131312	Washer 13/32 x 13/16 x 12 Ga.	104	141421	Arm, Control Pump 500 Hydro
47	127783	Pulley, Idler, V-Belt	105	71070516	Bolt, Head Hex 5/16 x 18 x 1
48	154407	Bellcrank Clutch Grnd Drv Stl	106	74780520	Bolt H 5/16-18 UNC x 1-1/4
49	123205X	Retainer, Belt	108	17541026	Screw Hex Wh Hd #10-24 x 1-5/8
50	74760624	Bolt	109	145098	Adaptor Fan Hydro Lt Hyd Alum
51	73680600	Nut	116	72110610	Bolt Rdhd Sq Neck 3/8-16 x 1-1/4
52	73680500	Nut Crownlock 5/16-28	144	19111016	Washer 11/32 x 5/8 x 16 Ga
53	105710X	Link, Clutch	145	74490540	Bolt Hex Flghd 5/16-18 Gr. 5
55	105709X	Spring, Return, Clutch	146	74490536	Bolt Hex Flanged 5/16-18 Unc x 2
56	74760620	Bolt, Hex 3/8-16 UNC x 1-1/4	147	74490524	Blot Hex Flanged 5/16-18 Unc x 2
57	161850	V-Belt, Drive	148	159103	Spacer
59	140312	Keeper, Belt, Center	149	122052X	Spacer Retainer PM Mower
61	17490612	Screw, Thrdl 3/8-16 x 3/4 Type TT	150	150935	Bushing Nylon Collared
62	8883R	Cover, Pedal	151	19133210	Washer 13/32 x 2 x 10 Ga.
63	161399	Pulley, Engine			
64	71170764	Bolt Hex 7/16 x 4 Gr. 5			
65	10040700	Washer			

NOTE: All component dimensions given in U.S. inches
1 inch = 25.4 mm

TRACTOR -- MODEL NUMBER Y13H42B

STEERING ASSEMBLY



TRACTOR - - MODEL NUMBER Y13H42B

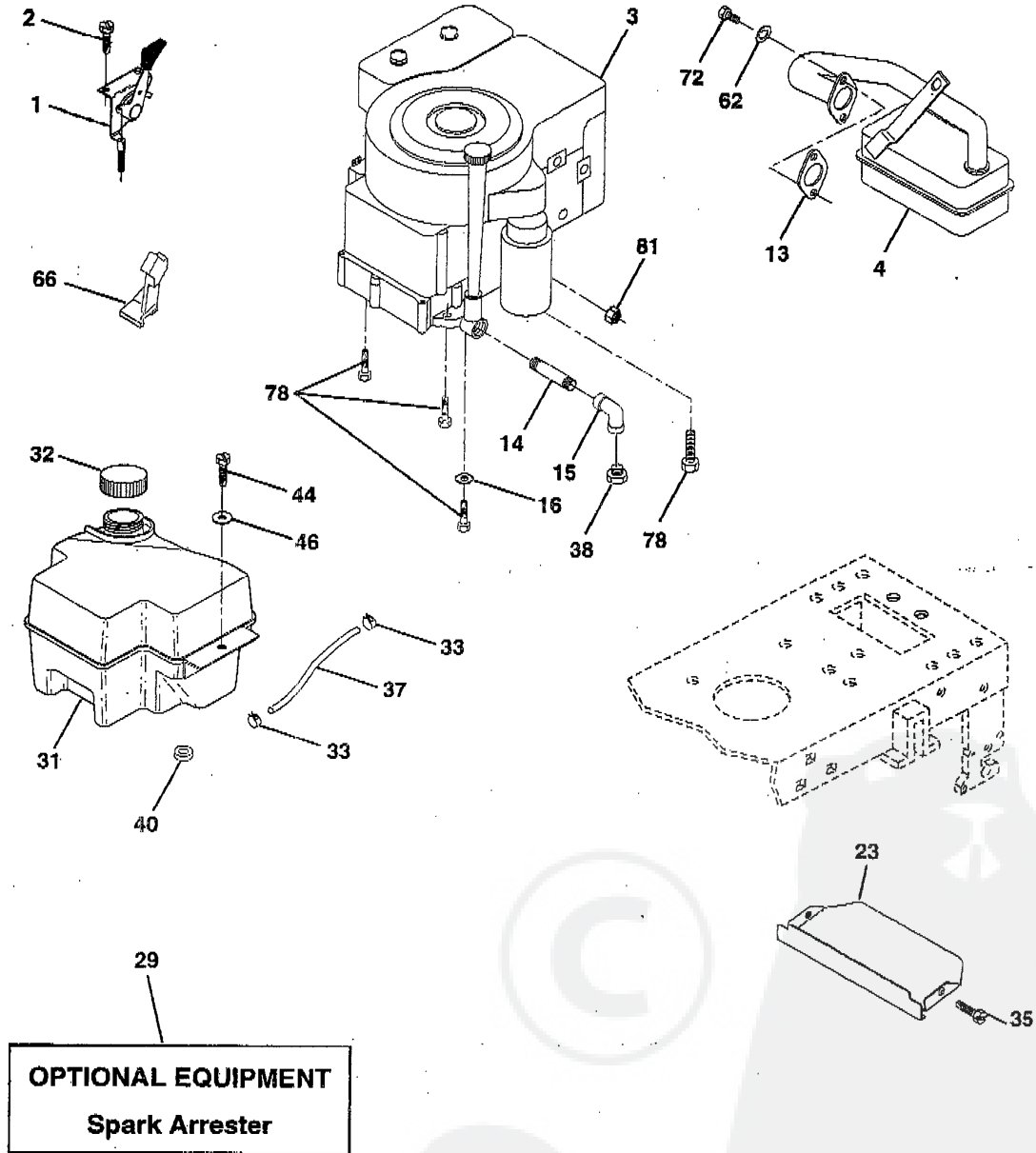
STEERING ASSEMBLY

KEY NO.	PART NO.	DESCRIPTION
1	133741	Wheel Steering Blk
2	154427	Axle Asm Fr LT W/gzks 38/42
3	156483	Spindle Asm LH
4	157473	Spindle Asm RH
5	6266H	Bearing Race Thrust Harden
6	121748X	Washer 25/32 X 1-5/8 X 16 Ga
7	19272016	Washer 27/32 X 1-1/4 X 16 Ga
8	12000029	Ring Klip #15304-75
9	3366R	Bearing Col Strg Blk
10	156438	Link Drag Extended Stamped
11	10040600	Washer Lock Hvy Hlcl Spr 3/8
13	154779	Bearing Axle
15	73901000	Nut Lock Flange 5/8-11 Unc
17	156546	Shaft Asm Strg Private Label
18	57079	Washer Thrust 515x 750x 033
19	124035X	Support Shaft
20	126684X	Washer Shim 1/4 X 5/8 X 062
22	71200410	Screw Hex Socket 1/4-20 X 5/8
23	127501	Shaft Asm Pittman
25	154406	Bracket Steering
26	126847X	Bushing Link Drag Blk LR
27	136874	Gear Sector
28	19131416	Washer 13/32 X 7/8 X 16 Ga
29	17490612	Screw Thdrol 3/8-16x3/4 Ty-tt
30	76020412	Pin Cotter 1/8 X 3/4 Cad
32	130465	Rod Tie Wire Form 19 75 Mech
36	155099	Bushing Strg
37	152927	Screw TT #10-32 X 5 X 3/8 Flange
38	133742	Cap Strg Wh AYP P/L
39	19133808	Washer 13/32 X 2-3/8 X 8 Ga
40	7810H	Nut Lock Center 3/8-24unf
41	100711L	Adaptor Wheel Strg 758/753 ID
42	145054	Boot Steering
43	121749X	Washer 25/32 X 1 1/4 X 16 Ga
44	153720	Shaft Extention Steering
46	121232X	Cap Spindle Fr Top Blk
47	6855M	Fitting Grease
51	73800500	Nut Lock Hex w/Ins 5/16-18
54	74780520	Bolt Fin Hex 5/16-18 Unc x 1-1/4
62	156594	Kit, Steering Assembly, Service
63	74780616	Bolt Fin Hex 3/8-16 x 1 Gr. 5
65	154780	Spacer Axle
66	154404	Bearing Arm Pittman
67	74781044	Bolt Fin Hex 5/8-11 UNC x 2-3/4
68	154429	Brace Axle

NOTE: All component dimensions given in U.S. inches.
 1 inch = 25.4 mm.

TRACTOR -- MODEL NUMBER Y13H42B

ENGINE

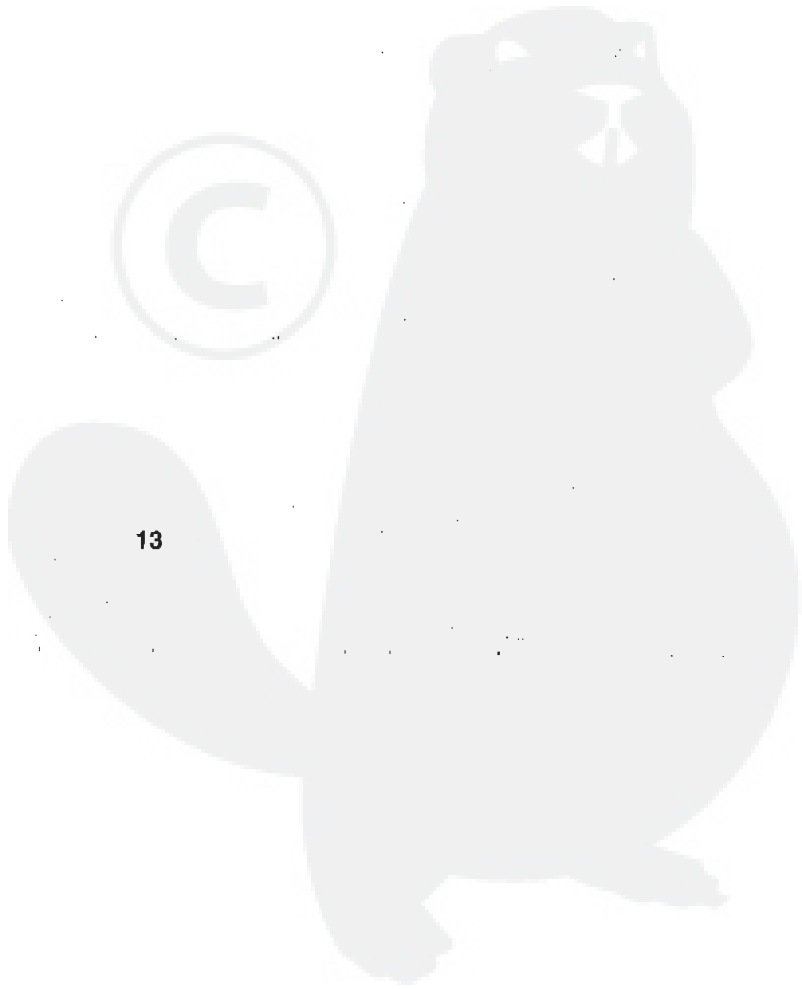
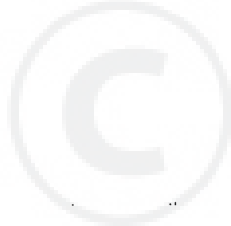


TRACTOR -- MODEL NUMBER Y13H42B

ENGINE

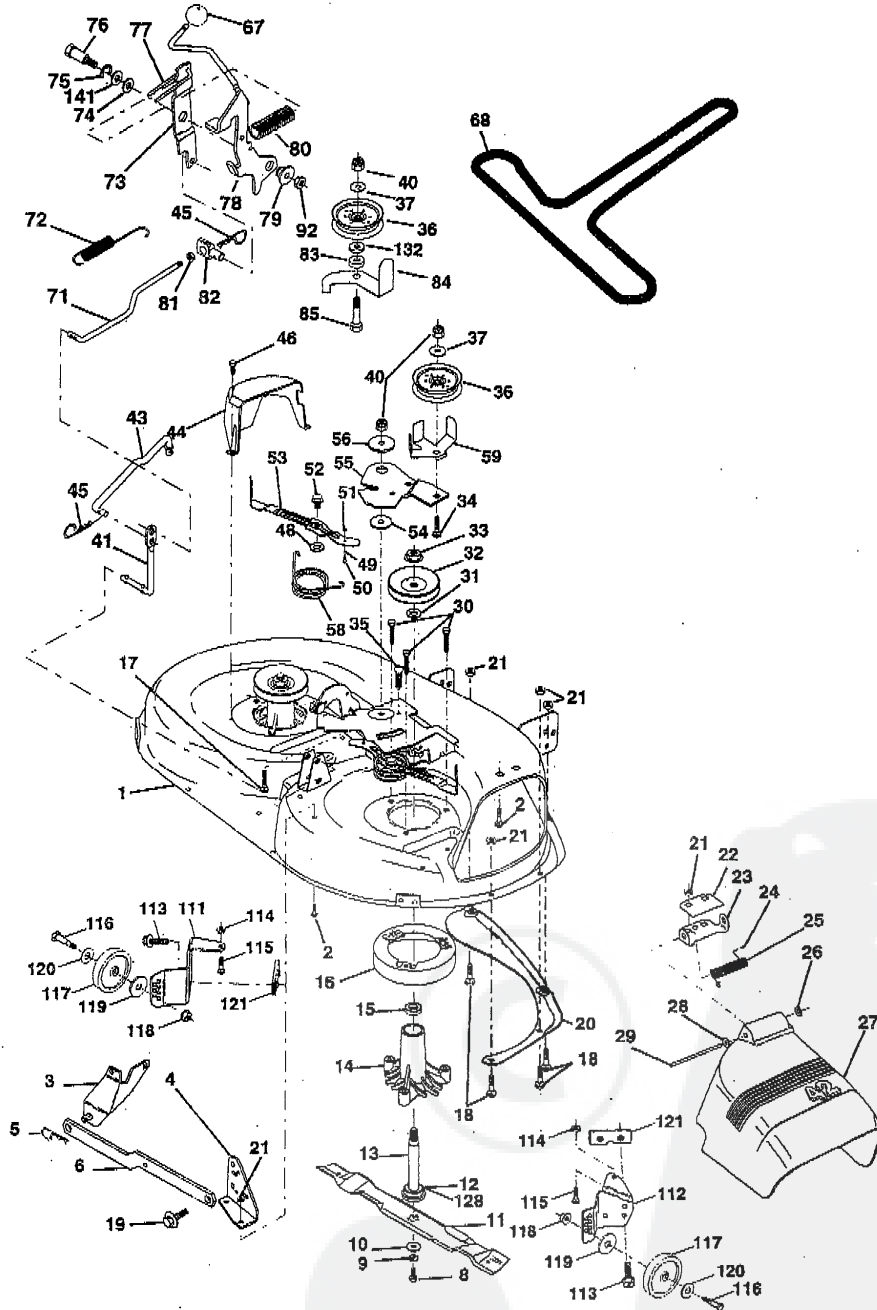
KEY NO.	PART NO.	DESCRIPTION
1	141359	Control Th/ch 23 5 LH Flag
2	17720410	Screw Hex Thd Cut 1/4-20x5/8 T
3	-----	Engine B&S Model No. 28R707
4	137348	Muffler LT B&S
13	272293	Gasket Eng 1 313 Id Tin Plated
14	13280324	Nipple Pipe 3/8 Npt X 3"
15	13200300	Elbow Std 90 Degree 3/8-18 Npt
16	11050600	Washer Lock Ext Tooth 3/8
23	159980	Shield Browning / Debris Guard
29	137180	Kit Spark Arrestor (Flat Scrn)
31	161911	Tank Fuel Front 2.00 Gal. Nat
32	140527	Cap Asm Fuel W/sym Vented
33	123487X	Clamp Hose Black
35	17490512	Screw Thdrol 5/16-18 x 3/4
37	137040	Line Fuel 20"
38	-----	Plug Oil Drain (Order From Engine Manufacturer)
40	124028X	Bushing Snap Nyl Blk Fuel Line
44	17490412	Screw Hexwsh Thdrol 1/4-20x3/4
46	19091416	Washer 9/32 X 7/8 X 16 Ga
62	10040500	Washer Lock Hvy Hlcl Spr 5/16
66	127951	Stop Throttle 3000 RPM
72	71070512	Screw Hexhd Cap 5/16-18x 3/4
78	17490620	Screw Thdrol 3/8-16x1-1/4 TYTT
81	128861	Nut Flange 1/4-20 Starter Nut

NOTE: All component dimensions given in U.S. inches.
 1 inch = 25.4 mm.



TRACTOR -- MODEL NUMBER Y13H42B

MOWER DECK



REPAIR PARTS**TRACTOR -- MODEL NUMBER Y13H42B****MOWER DECK**

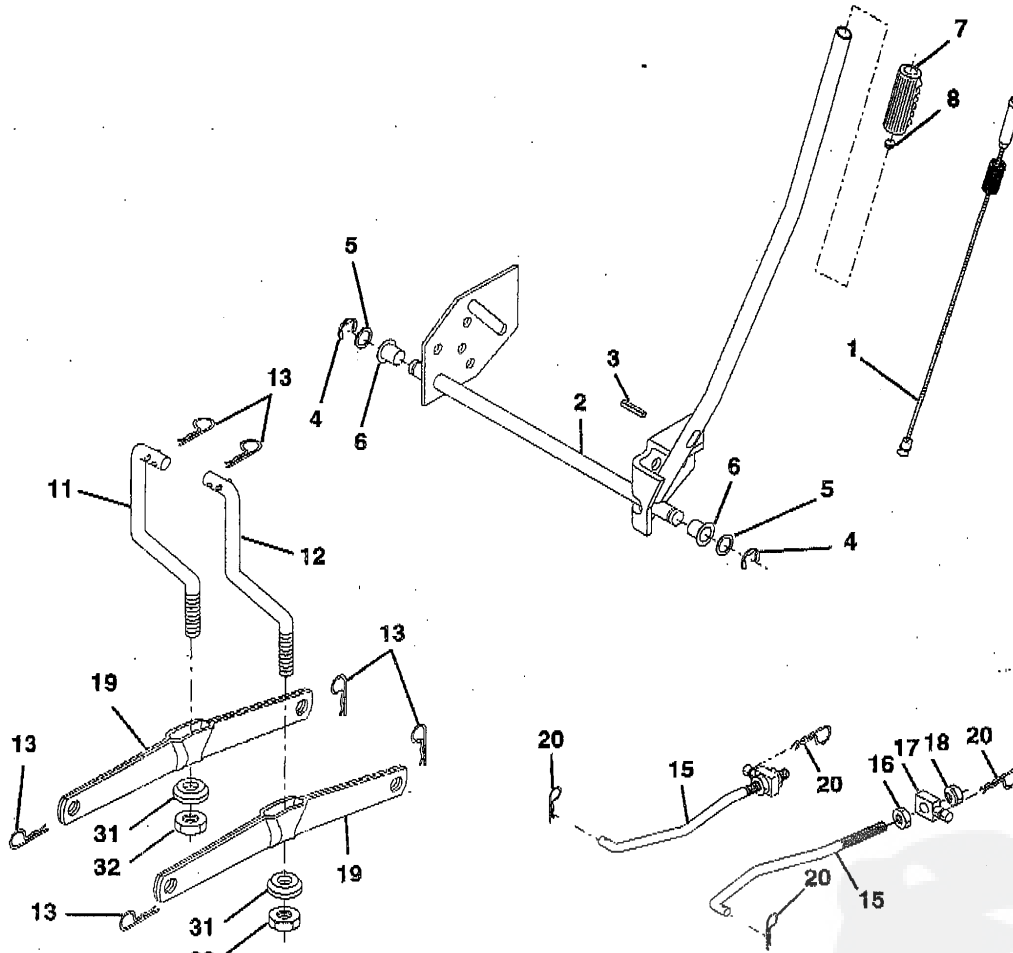
KEY NO.	PART NO.	DESCRIPTION	KEY NO.	PART NO.	DESCRIPTION
1	144393	Housing Asm MWR 42" HL MCH T-Path	53	131845	Arm Asm Pad Brake
2	72140506	Bolt Rdhd Sqnk 5/16-18unc X3/4	54	133943	Washer Hardened
3	139017	Bracket Asm Fr Sway Bar 38/42	55	155046	Arm Idler 42" mower
4	138440	Bracket Asm Deck 42"sway Bar	56	122052X	Spacer Retainer Pm Mower
5	4939M	Retainer Spring	58	140086	Spring Torsion Brakes 42"
6	130832	Arm Suspension Rear	59	141043	Guard TUV Idler
8	850857	Bolt 3/8-24x1 25 Gr8 Patched	67	162132	Knob Rd 7/16-14 Pastic Thds Blk
9	10030600	Washer Lock Hvy 3/8 Unplated	68	144200	V-Belt Mower
10	140296	Washer Hard Blade Mower Vented	71	142427	Rod Clutch Primary 38/42
11	138498	Blade Mower 42" High Lift	72	131870	Spring Return
12	129895	Bearing Ball #6204 (Mandrel)	73	127847	Arm Clutch Secondary
13	137645	Shaft Asm W/lower Bearing	74	121748X	Washer 25/32 X 1-5/8 X 16 Ga
14	128774	Housing Mandrel Vented(machd)	75	12000029	Ring Klip #15304-75
15	110485X	Bearing Ball Mandrel	76	128903	Bolt Shoulder 3/8-16 Unc 1 44
16	140329	Stripper Mower Round	77	127845	Keeper Spring 4 000
17	72110610	Bolt Rdhd Sqnk 3/8-16 X 1.25	78	160570	Lever Asm Clutch Primary PL
18	72140505	Bolt Carr 5/16-18 X 5/8	79	127498	Bushing 747 Od X 794 Lg Brass
19	132827	Bolt Shoulder	80	153701	Spring Clutch Mower
20	159770	Baffle Vortex 42	81	73350600	Nut Hex Jam 3/8-16
21	73680500	Nut Crown Lock 5/16-18	82	142028	Trunnion Adj.
22	134753	Stiffener Bracket 42"deck	83	120958X	Washer Sintered
23	131267	Bracket Deflector Mower 42"	84	156084	Keeper Belt Idler
24	105304X	Cap Sleeve 80x 112 Blk Mower	85	72140618	Bolt Rdhd Sqnk 3/8-16 x 2-1/4
25	123713X	Spring Torsion Deflector 2 52	92	73800600	Nut Lock Hex w/Ins 3/8-16 UNC
26	110452X	Nut Push Phos & Oil	111	155197	Bracket Gauge Wheel LH
27	130968	Shield Deflector Mower 42" Blk	112	155198	Bracket Gauge Wheel RH
28	19111016	Washer 11/32 X 5/8 X 16 Ga	113	17490512	Screw Thdrol 5/16-18 UNC
29	131491	Rod Hinge 42"6 75 Wig	114	73510500	Nut Keps 5/16-18 UNC
30	157722	Screw Thdrol Washer Head	115	72110514	Bolt Carr 5/16-UNC x 1/2
31	129963	Washer Spacer Mower Vented	116	4896H	Bolt Shoulder
32	153535	Pulley Mandrel 42/44/50"	117	105455X	Wheel Gauge
33	137266	Nut 9/16top Lock Flng	118	73930600	Nut Hex Center Lock 3/8-16 UNC
34	72110614	Bolt Rdhd 3/8-16uncx1-3/4 Gr5	119	19121414	Washer 3/8 x 7/8 x 14 Ga.
35	133835	Fastner Christmas Tree	120	19171512	Washer 17/32 x 15/16 x 12 Ga.
36	131494	Pulley Idler Flat 3 060	121	143723	Bracket Extruded Gage Wheel
37	19131316	Washer 13/32 x 13/16 x 16 Ga.	128	153390	Washer Felt
40	73680600	Nut Crownlock 3/8-16 Unc	132	19132203	Spacer Washer 13/32 OD x 13/16 ID x 1/4
41	133551	Rod Pivot W/nibs	141	6266H	Washer Thrust .75 x 1.230
43	140083	Rod Clutch Secondary W/nibs	--	144783	Deck Serv 42" Mech (Std Deck - Order separately, guage wheel components Key. Nos. 111-121and CE certification components, Kit No. EC42)
44	140088	Guard Mandrel LH Black			Mandrel Assembly (Includes Key Numbers 8-10, 12-15, 31 and 33)
45	4497H	Spring Retainer 1" Zinc/cad			
46	137729	Screw Hex Thd Cut 1/4-24 UNC			
48	133944	Washer Hardened Smaller			
49	155066	Roller Asm Cam Follower 42"dec	--	130794	
50	131340	Bolt Shldr 10-24 Zinc Gr 5 42"			
51	69180	Nut Lock #10-24 Unc			
52	139888	Bolt Shoulder 5/16-18 Unc Blkz			

NOTE: All component dimensions given in U.S. inches
1 inch = 25.4 mm

REPAIR PARTS

TRACTOR -- MODEL NUMBER Y13H42B

LIFT



KEY NO.	PART NO.	DESCRIPTION
1	159460	Wire Asm Inner w/plunger
2	159471	Shaft Asm Lift
3	105767X	Pin Groove
4	12000002	E Ring #5133-62
5	19211621	Washer 21/32 X 1 x 21 Ga
6	120183X	Bearing Nylon
7	109413X	Grip Handle Bicycle Matte Bk
8	124526X	Button Plunger
11	139865	Link Lift LH
12	139866	Link Lift RH
13	4939M	Retainer Spring

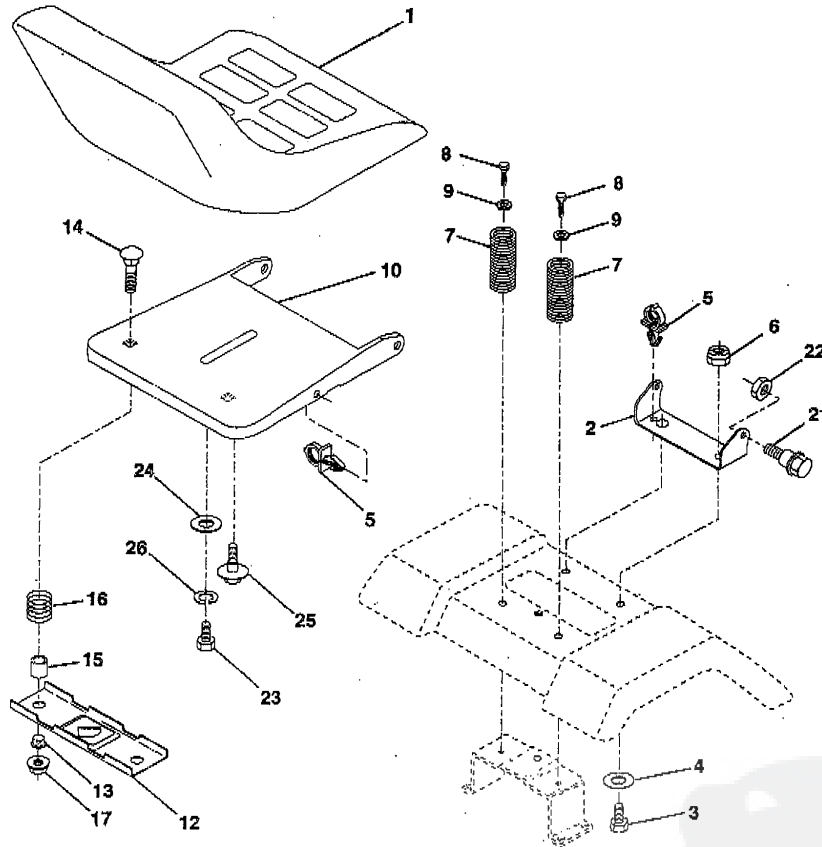
KEY NO.	PART NO.	DESCRIPTION
15	127218	Link Front
16	73350800	Nut Jam Hex 1/2-13 Unc
17	130171	Trunnion Bk Zinc
18	73680800	Nut Crownlock 1/2-13 Unc
19	139868	Arm Suspension Rear
20	3146R	Retainer Spring
31	140302	Bearing Pvt. Lift Spherical
32	73540600	Nut Crownlock 3/8-24

NOTE: All component dimensions given in U.S. inches
1 inch = 25.4 mm

REPAIR PARTS

TRACTOR - - MODEL NUMBER Y13H42B

SEAT ASSEMBLY



KEY NO.	PART NO.	DESCRIPTION
1	127427	Seat
2	140551	Bracket Pivot Seat
3	74760616	Bolt Hex 3/8 - 18 X 1
4	19131610	Washer 13/32 X 1"
5	145006	Clip Push-In
6	73800600	Locknut, Hex W/Ins 3/8 - 16 Unc
7	124181X	Spring Seat Cprsn 2 250 Blk Zi
8	17490616	Screw Thdrol 3/8-16 X 1 Ty-tt
9	19131614	Washer 13/32 X 1 X 14 Ga
10	155925	Pan Seat
12	121246X	Bracket Mounting Switch
13	121248X	Bushing Snap Blk Nyl 50 Id

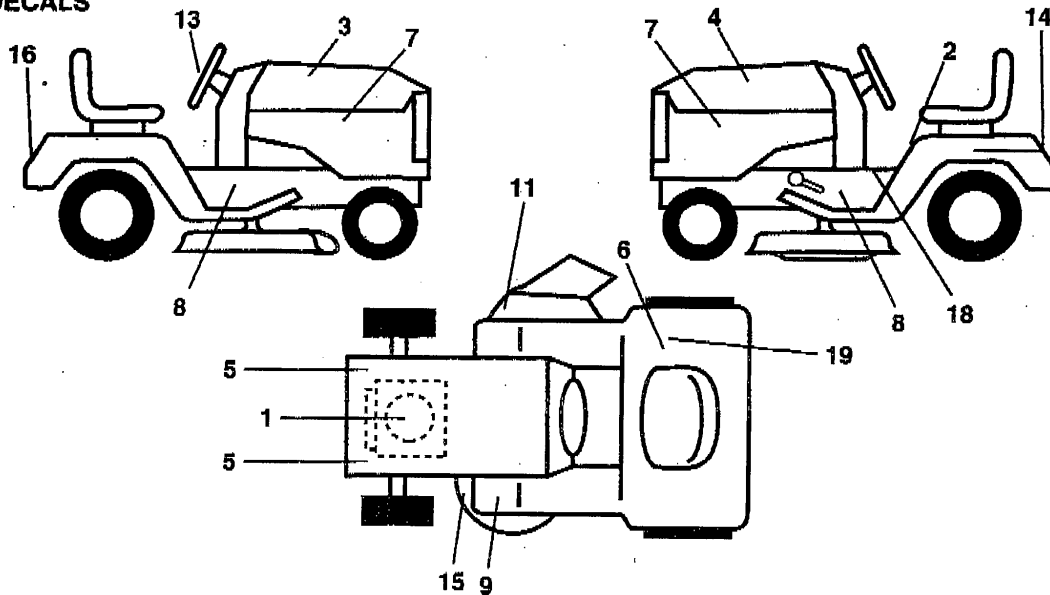
KEY NO.	PART NO.	DESCRIPTION
14	72050412	Bolt Rdhd Sht Nk 1/4-20x1-1/2
15	134300	Spacer Split
16	121250X	Spring Cprsn
17	123976X	Nut Lock 1/4 Lge Fig Gr 5 Zinc
21	153236	Bolt Shoulder 5/16-18 UNC-2A
22	73680500	Locknut, Crown 5/16-18 UNC
23	74780814	Bolt Fin Hex 1/2-13 X 7/8 Gr 5
24	19171912	Washer 17/32 X 1-3/16 X 12 Ga
25	127018X	Bolt Shoulder 5/16-18 X 62
26	10040800	Washer Lock Hvy Hlcl Spr 1/2

NOTE: All component dimensions given in U.S. inches
1 inch = 25.4 mm

REPAIR PARTS

TRACTOR - - MODEL NUMBER Y13H42B

DECALS

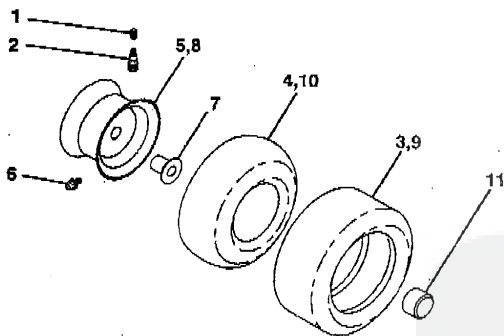


KEY NO.	PART NO.	DESCRIPTION
1	273212	Decal Engine B & S HP
2	145498	Decal Read Owners Manual Syms
3	143335	Decal Hood RH
4	143336	Decal Hood LH
5	159736	Decal Chassis Hot Muffler
6	145437	Decal Europe Stand CE
7	159524	Decal Side Panel
8	141801	Decal Chassis
9	159737	Decal Brake/Clutch Symbol Lt
11	145494	Decal Mower Cutting Symbol
13	146987	Decal Wheel Steering
14	145005	Decal Battery Dan/Poi/P/L Symbols
15	160396	Decal V-Belt Sch

KEY NO.	PART NO.	DESCRIPTION
16	123689X	Decal Fender
18	140837	Decal Saddle Brake Parking
19	125690X	Decal 100 DBA
--	162598	Decal Drawbar Load Limit
--	133671	Pad Footrest
--	138311	Decal Handle LFT Height Adj
--	142341	Decal Drawbar Cntrl Mut
--	163719	Manual Operators (Euro)
--	163720	Manual Parts

Available Accessories:
MK420 Mulching Kit w/Blades

WHEELS & TIRES



KEY NO.	PART NO.	DESCRIPTION
1	59192	Cap Valve Tire
2	65139	Stem Valve
3	106222X	Tire F Ts 15 X 6 0 - 6 Service
4	59904	Tube Front (Service Item Only)
5	106732X417	Rim Asm 6" (front Silver Service)
6	278H	Fitting Grease (Front Wheel Only)
7	9040H	Bearing Flange (Front Wheel Only)
8	106108X417	Rim Asm 8" (rear Silver Service)
9	106268X	Tire R Ts 18 x 9.5-8 C Service
10	7152J	Tube Rear (Service Item Only)
11	104757X	Cap Axle Blk 1 50 X 1 00
--	144334	Sealant, Tire (10 oz. Tube)

NOTE: All component dimensions given in U.S. inches
1 inch = 25.4 mm.

REPAIR PARTS**TRACTOR -- MODEL NUMBER Y13H42B****TRANSAXLE HYDRO GEAR - MODEL NUMBER 310-0500****TRANSAXLE**

KEY PART NO. NO.	DESCRIPTION	KEY PART NO. NO.	DESCRIPTION
1 142986	Housing, Lower	40 150778	Locknut, Hex 5/16-24 UNJC
2 142987	Assembly, Upper Housing	41 142958	Brake Rotor/Stator Kit
3 142932	Seal, Lip	43 142884	Washer 7/16 x 7/8 x .060
4 142928	Ring, Wire Retaining	44 142990	Differential Assembly
5 142933	Ring, Retaining	52 142991	Washer 3/4 x 1.5 x .13
6 142934	Bearing, Shaft Ball	53 142961	Seal .75 x 1.25 x .250
7 142935	Bearing, Cradle	56 142963	Shaft, Input
8 150771	Bearing, Thrust 30 x 52 x 13	58 142964	Bolt 1/4-20 x 1.38
9 142937	Swashplate, Variable	59 142965	Pin .5 OD x .43 ID x .750
13 142938	Block, Cylinder Assembly	62 142966	Arm, Control
14 142939	Arm, Trunnion	63 142967	Puck, Dampener
15 142940	Seal, Lip	64 142920	Set Screw
17 142941	Guide, Slot	68 142969	Spring
18 150772	Shaft, Motor	69 144610	Stud 5/16-24
19 150773	Bearing, Thrust 42 x 68 x 16	92 142977	Spring, Block
23 142944	Block, Cylinder Assembly	93 142978	Washer, Block Thrust
24 142945	Seal, Lip 10 x 25 x 7	98 142993	Sleeve Bearing
25 142946	Actuator, Bypass	99 142976	Seal, Wiper
26 150774	Center Section Assembly Kit	113 142917	Cap, Vent Assembly
27 142948	Seal, Lip 26 x 42 x 8	114 142918	Fitting, O-Ring Assembly
28 142949	Ring, Retaining	119 142980	Spacer
29 142950	Washer 26 x 35 x 1	134 144607	Nut, Castle 5/16-24
30 150787	Nut, Jam	135 144608	Pin, Cotter
34 142951	Oil Filter Element	139 150775	Spring, Compression
35 142952	Arm, Bypass	140 150776	Nut, Hex 5/16-24
36 142953	Ring, Retaining		
37 142954	Arm, Actuating		
38 142955	Pin, Actuating		
39 150777	Bolt 5/16-24 x 1-3/4		

NOTE: All component dimensions given in U.S. inches
1 inch = 25.4 mm

