

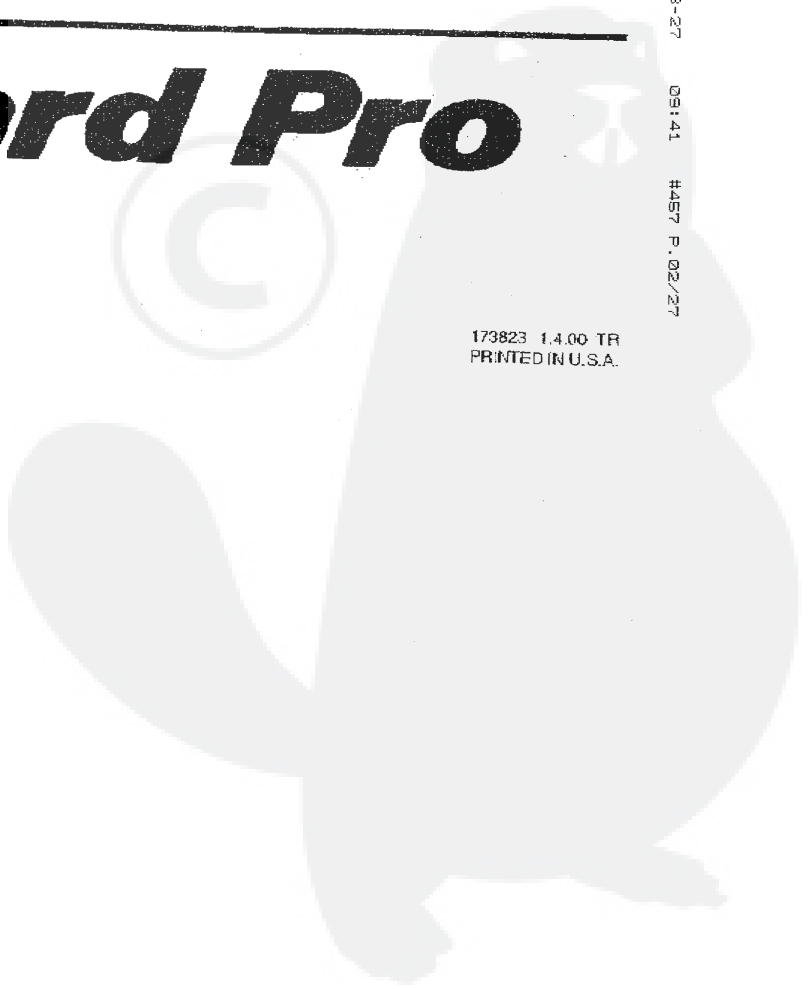
FROM : R. Y. P. - SALES DEPT 803 533 4900

REPAIR PARTS MANUAL
MODEL NO. Y1242D
Lawn Tractor

1902-08-27 09141 #457 P.02/27

Yard Pro

173823 1.4.00 TR
PRINTED IN U.S.A.



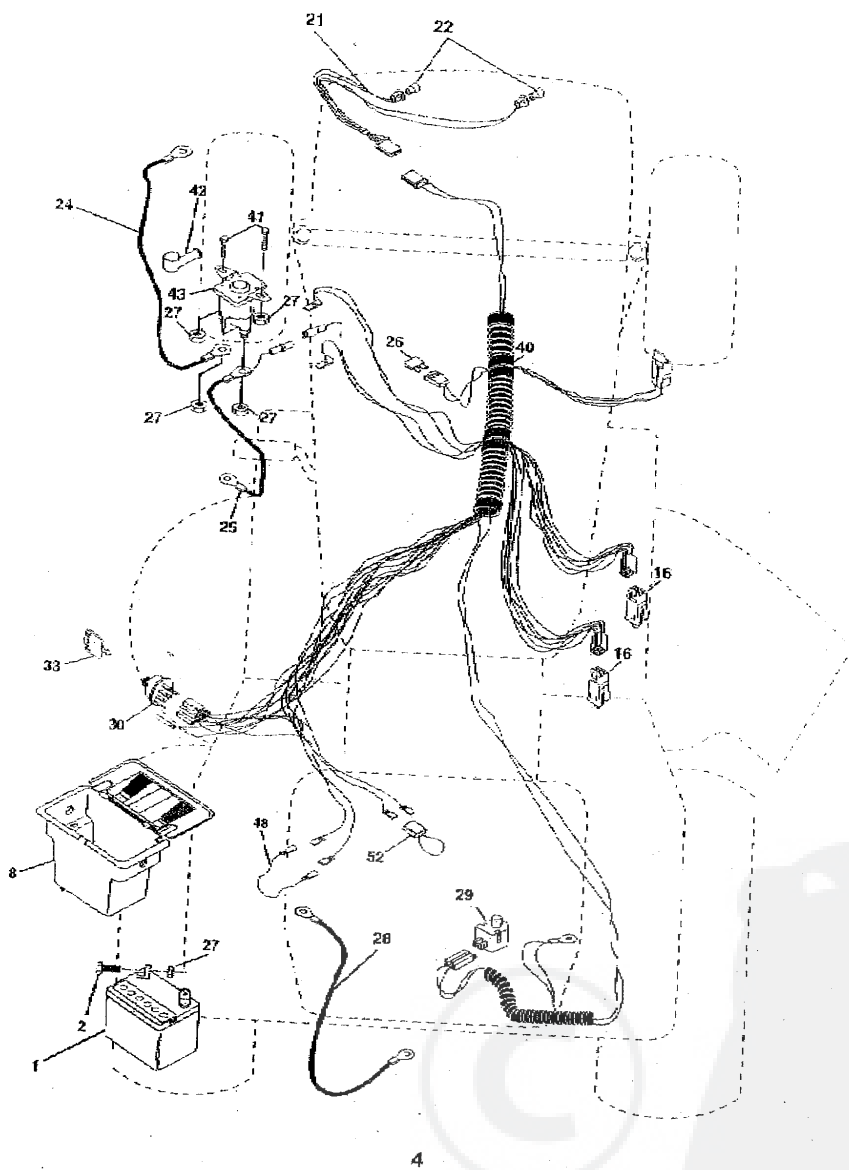
FROM: B. V. P. - SALES DEPT

803 533 4900

1902, 08-27

09:42

#457 P.03/27



ELECTRICAL

COMPONENT LIST

FROM : R. Y. P. - SALES DEPT

803 533 4900

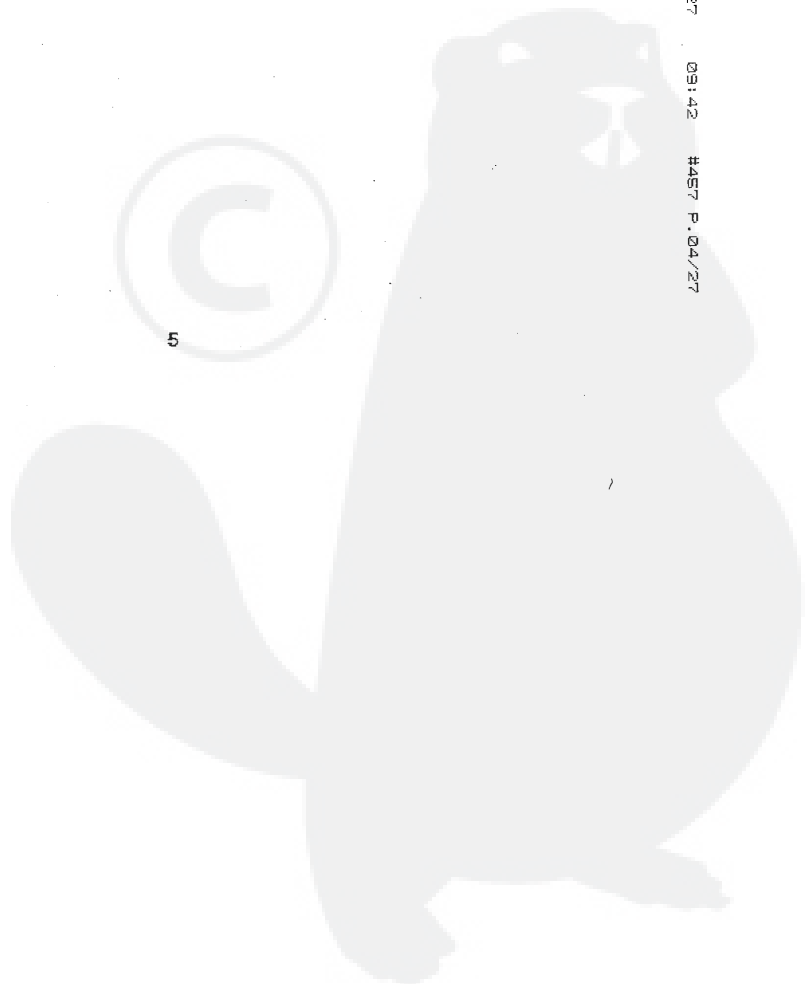
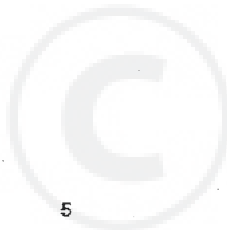
1502109-27

09:42

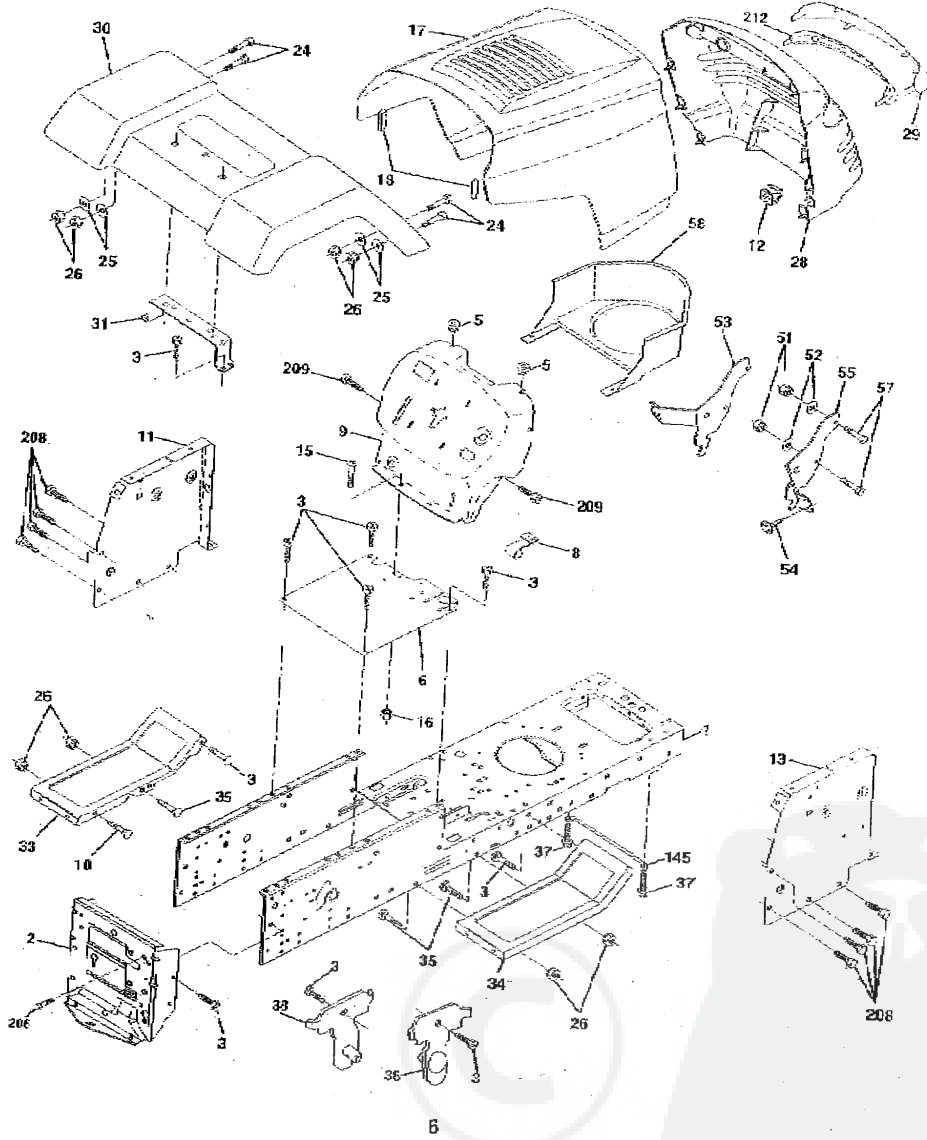
#457 P.04/27

KEY NO.	PART NO.	DESCRIPTION
1	144925	Battery
2	747504-2	Bolt Hex Hd 1/4-20unc X 3/4
3	156417	Case Battery
15	153664	Switch Interlock Push-In
21	166181	Harness Asm Light W/4152J
22	4152J	Bulb Light #1156
24	4799J	Cable Battery 6 Ga 1' red
25	146147	Cable Battery 6 Ga red W/ 16' Wire
26	166180	Fuse 15 AMP
27	73510400	Nut Keps Hex 1/4-20 Unc
28	4207J	Cable Ground 6 Ga 12' black
29	121305X	Switch Plunger No Gray
30	163568	Switch Ignition
35	1404C1	Key Ign
40	170217	Harness Ign
41	71110408	Bolt Blk Fin Hex 1/4-20 x 1/2
42	13156C	Cover Terminal Red
43	145673	Solenoid
48	140844	Adapter Air meter Rectangular
52	141940	Protection Wire Loop

NOTE: All component dimensions give in U.S. inches
1 inch = 25.4 mm.



CHASSIS AND ENCLOSURES



FROM : P. Y. P. - SALES DEPT

803 533 4900

1902.08-27

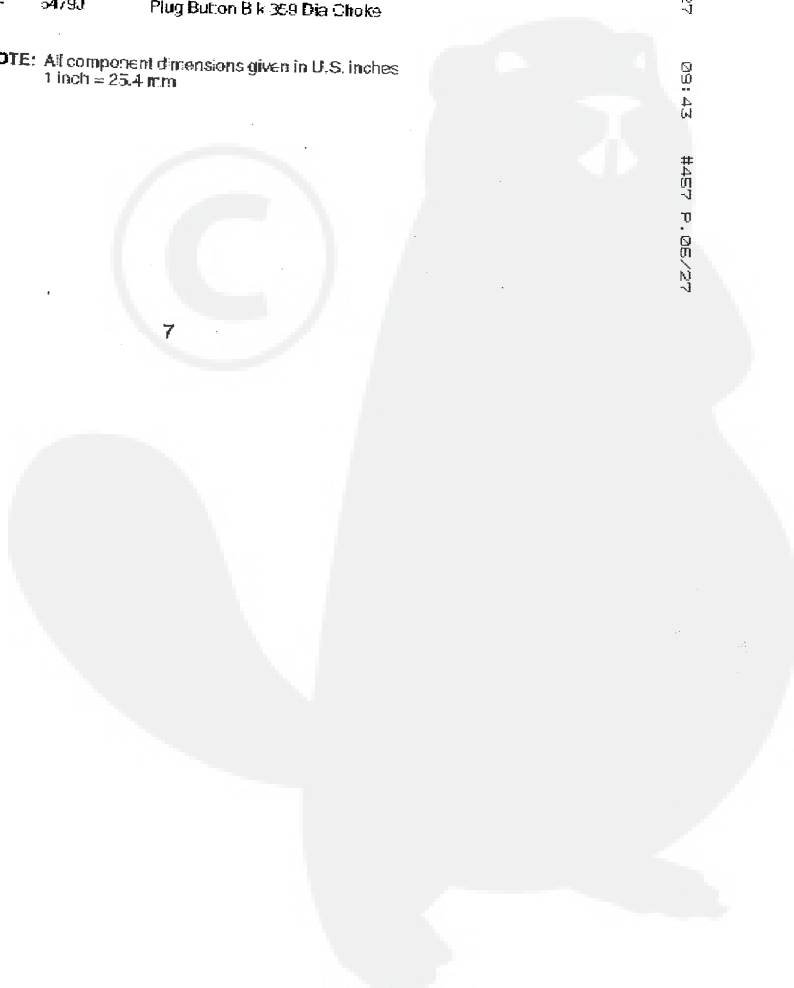
09143

#457 P. 05/27

CHASSIS AND ENCLOSURES

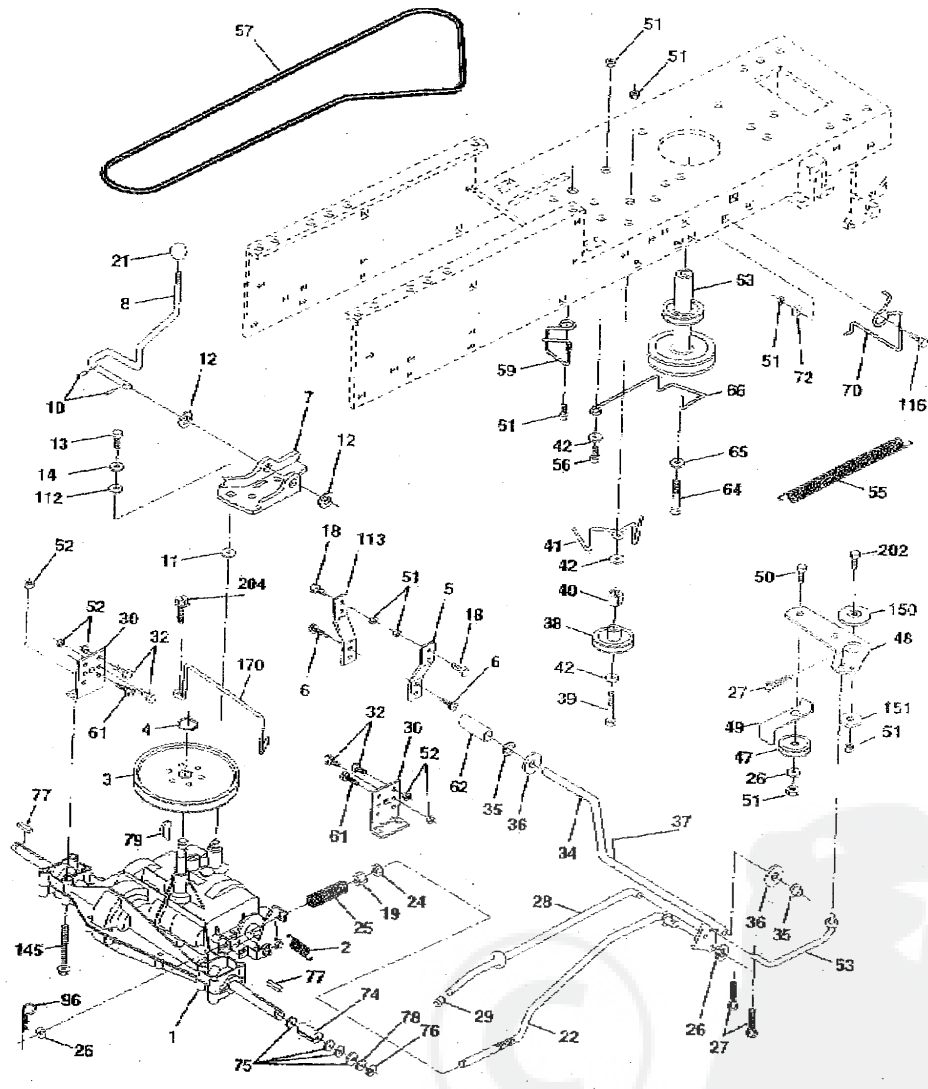
KEY NO.	PART NO.	DESCRIPTION
1	169031	Chassis
2	169061	Drawbar, Stretch
3	17030612	Screw 3/8-16 x 3/4
4	19131216	Washer 13/32 X 5/4 X 16 Ga.
5	155272	Bumper Hood/Dash
6	155924X011	Saddle Slt/Screen Fil Sdl
8	155139	Clip Retainer Slice-On
9	168347X011	Dash
10	72140608	Bolt, Carriage 3/8-16 x 1
11	155927	Panel Dash LH
12	145660	Clip Tinnerman Grille P.L.
13	172107X010	Panel Slt/scr Dash RH
15	74180512	Screw Mach TRHD 5/16-16uncx3/4
16	73510500	Nut Keps 5/16-18 Unc
17	158633X505	Hood
18	126933X	Bumper Hood
24	74780615	Bolt Fin Hex 3/8-16unc X 1 Gr. 5
25	19131312	Washer 13/32 X 13/16 X 12 Ga
26	73800600	Nut Lock Hex w/ins 3/8-16 Unc
28	157373	Grille P.L. Ms 428
29	140273X599	Lens Grille Private Label
30	139465X505	Fender
31	136619	Basket Fender Repl 109573x
33	145244X505	Footrest Fnt LH Perf
34	145243X505	Footrest Fnt RH Perf
35	72110606	Bolt Rollhd Sht Sqrk 3/8-16 X3/4
37	17490508	Screw Thrdol 5/16-18 x 1/2 TYT
38	169834	Bracket Asm. Pivo. Mower Rear
51	73800400	Nut Lock W/Inse 1/4-20unc
52	19091416	Washer 9/32 x 7/8x16 Ga.
53	144697	Bracket Grille LH
54	161464	Screw Hex 8-18 x 7/8
55	144695	Bracket Grille RH
57	74780412	Bolt Fin Hex 1/4-20 unc x 7/8
58	150127	Duct Air Engine P. ALT
145	156524	Rod Pivot Chassis/Hood
206	170165	Bolt Shoulder 5/16-18
208	17670603	Screw Thrdol 3/8-16 x 1/2
209	17000612	Screw Hex Wsh Thrdol 3/8-16
-	5479J	Plug Button Bk 3/8 Dia Choke

NOTE: All component dimensions given in U.S. inches
1 inch = 25.4 mm



DRIVE

CONTROL VALVE



KEY NO.	PART NO.	DESCRIPTION
1		Transaxle (See Breakdown)
2	146662	Peelers 205-544C
3	123666X	Spring Return Brake T/A Zinc
4	200002B	Pulley Transaxle 18" tires
5	121520X	Ring Retainer # 5100-62
6	17053512	Strap Torque 90 Degrees
7	16224C	Screw 5/16" x 1/8" X 3/4
8	431679	Bracket T/A Saddle Shift
10	7602041E	Rod Shifter
11	105701X	Pin Cotter 1/8" X 1" Cad
12	19751216	Washer Plate Shi 388 Sq Hole
13	74550412	Washer 15/32 x 3/4 x 16 Ga.
14	10040400	Bolt 1/4-28 Uni Gr 8 W/Patch
15	74780616	Washer Lock Hwy Helical 1/4
19	73600600	Bolt, Fin Hex 3/8-16 LNC x 1 Gr 5
21	106933X	Nut Lock 3/8-16 Unc
22	130804	Knob
24	78350600	Rod Brake Blk Zinc 26 8-40
25	103688X	Nut Hex Jam 3/8-16 Unc
26	19131316	Spring Rod Brake 2 00 Zinc
27	76020412	Washer 13/32 X 13/16 X 16 Ga
28	145204	Pin Cotter 1/8" X 3/4 Cad
29	71673	Rod Brake Parking LT/RT
30	130807	Cap Brake Parking Black
32	74760512	Bracket Mtg Transaxle
34	155071	Bolt Hex Hd 5/13-18 Unc X 3/4
35	120133X	Shaft Asm Pascal Foot
36	1621161E	Bearing Nylon 51k 629 Id
37	1572H	Washer 21/32 X 1 X 16 Ga
38	131494	Pin Rod 3/16 X 1"
39	74760644	Pulley Idler Flat
40	4470J	Bolt Rdhd 3/8-16 Unc x 2-3/4 Gr 5
41	135638	Spacer Spdl 39b X 59 Esp
42	19131312	Keeper Belt Retainer Idler Foo.proof
47	127783	Washer 13/32 X 13/16 X 12 Ga Pulley Idler V Groove Plastic

KEY NO.	PART NO.	DESCRIPTION
48	154407	Beltcrank Clutch Grnd Drv STL
49	123205X	Retainer Belt Style Spring
50	74760624	Bolt Hex Hd 3/8-16 Unc X 1-1/2
51	73680600	Nut Crown Lock 3/8-16 Unc
52	73680500	Nut Crown Lock 5/16-18 Unc
53	105710X	Link Clutch
55	105709X	Spring Return Clutch 6 75
56	74760620	Bolt Fin Hx 3/8-15 X 1/4
57	130801	V-Belt Ground Drive 95 25
59	163691	Keeper Belt Span Cir
61	17060612	Screw 3/8-16 x 3/4
62	3863R	Cover Pedal Blk Round
63	140186	Engine Pulley LT/RT
64	71170764	Bolt Hex
65	10040700	Washer Lock Hwy Hld Spr 7/16
66	154778	Keeper Belt Engine Footproof
70	134663	Guide Belt Mower Drive R-L
72	19132012	Washer 13/32 X 1-1/4 X 12 Ga
74	137057	Spacer Axle
75	121749X	Washer 25/32 X 1 1/4 X 6 Ga
76	12000001	Erng#E133-75
77	123583X	Key Square 2 0 X 1845/ 1865
78	121742X	Washer 25/32 X 1-5/8 X 16 Ga
79	2228M	Key Woodruff #9 3/16 x 3/4
93	4497H	Retainer Spring
112	19091210	Washer 9/32 x 3/4 x 10 Ga.
113	127285X	Strap Torque LT
116	72110610	Bolt Rdhd Sc Neck 3/8-16 x 1.25
145	74790540	Bolt Hex Fighd 5/16-18 x Gr. 5
150	165850	Bushing Beltcrank GRD Drive
151	19133210	Washer 13/32 x 2 x 10 Ga.
170	158249	Keeper Belt Transaxle Gear
202	72110612	Bolt Carr Sh 3/8-16 x 1-1/2 Gr. 5
204	17060516	Screw 5/13-16 x 1

NOTE: All component dimensions given in U.S. inches
1 inch = 25.4 mm

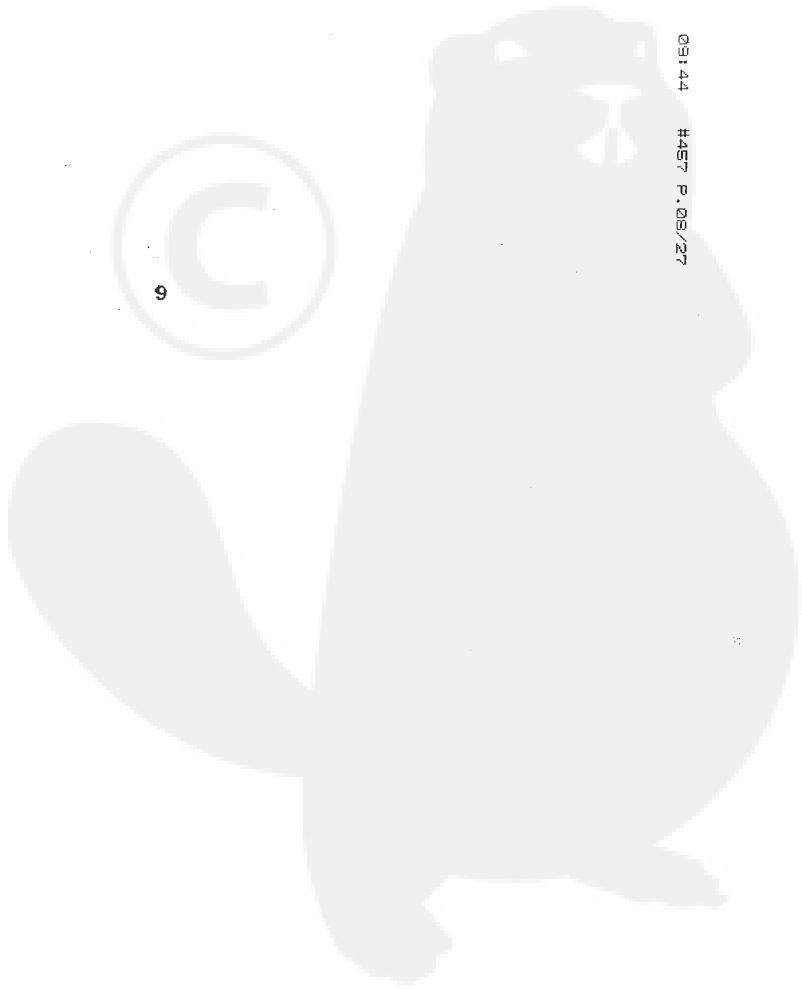
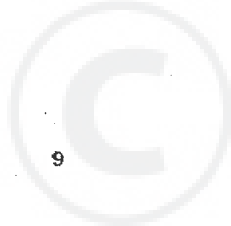
FROM: D.V.P. - SALES DEPT

803 673 4900

1302-03-27

03144

4457 P.03/27



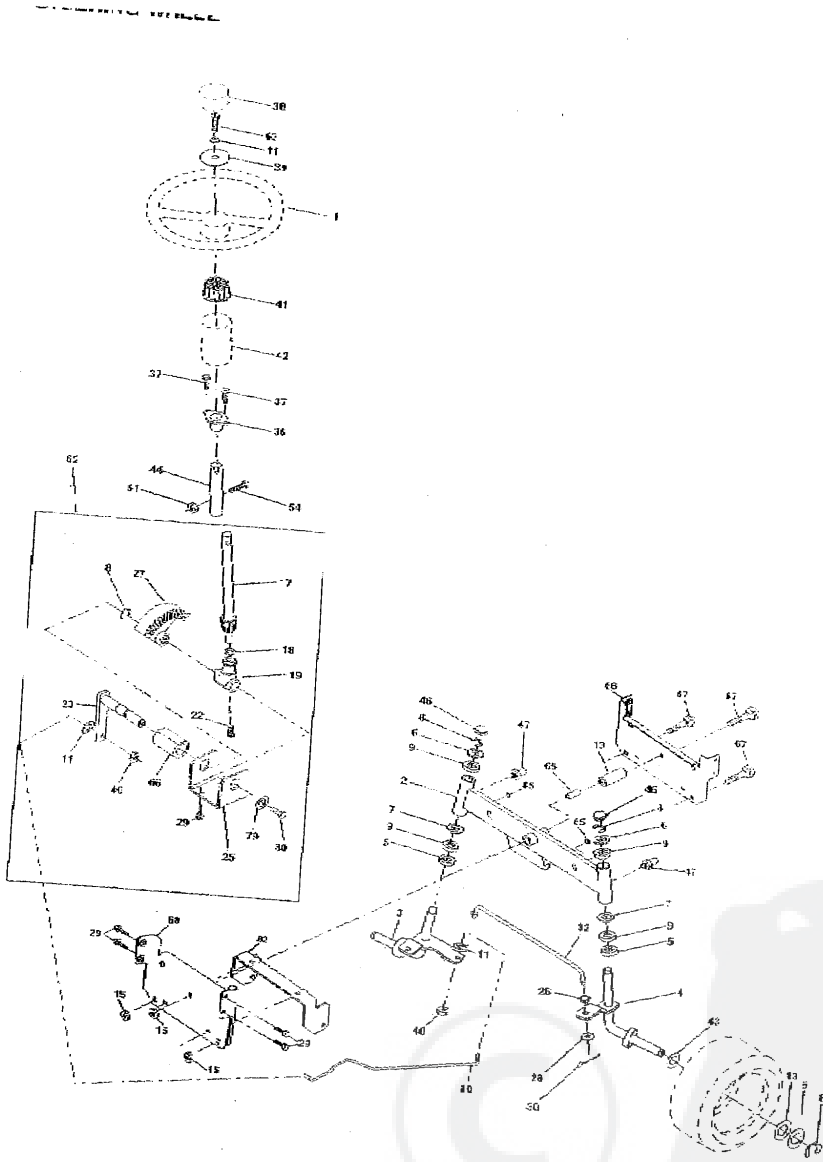
FROM : R. Y. P. - SALES DEPT

803 533 4800

1902, 09-27

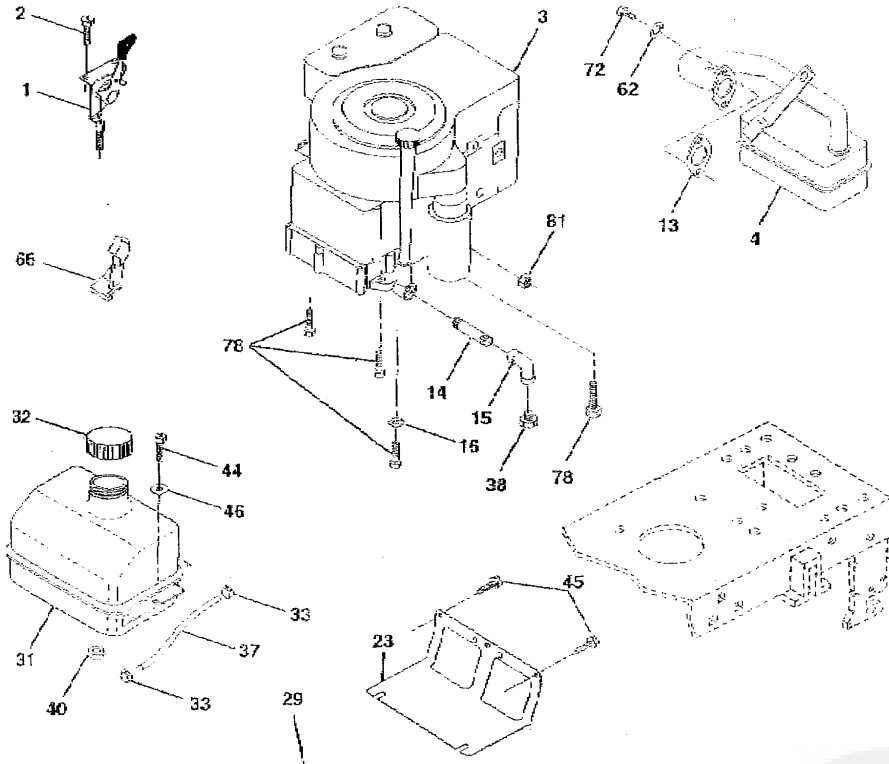
09:45

#457 P. 09/27



KEY NO.	PART NO.	DESCRIPTION
1	133741	Wheel Steering Assy/PLBk
2	154427	Axle Asm
3	169840	Spindle Asm LH
4	169839	Spindle Asm RH
5	6266H	Bearing Race Thrust Harden
6	121748X	Washer 25/32 X 1-5/8 X 16 Ga
7	19272016	Washer 27/32 X 1-1/4 X 16 Ga
8	12000029	Ring Clip #ES04-75
9	833ER	Bearing Ccl Stng Blk
10	183832	Link Drag
11	10040000	Washer Lock Hwy -Hcl Spr 3/8
13	186518	Spacer bearing Axle Front
15	145212	Hexflange Lock
17	156546	Shaft Asm Stng
18	57073	Washer Thrust 515x750x 3/32
19	160395	Support Shaft
22	165857	Screw Hex W/sh Hd Torx
23	165851	Shaft Asm Pittman
25	154406	Bracket Steering
26	126847X	Bushing Link Drag Blk LR
27	136874	Gear Sector
28	1513-416	Washer 13/32 X 7/8 X 16 Ga
29	17020612	Screw 3/8-16 x 3/4
30	73020412	Pin Cotter 1/8 X 3/4 Cad
32	130465	Rod Tie Wire Form 19 75 Mech
36	155069	Bushing Stng 5/8 Id Dast
37	152327	Screw
38	133742	Cap Wheel Steer
39	19133612	Washer 13/32 x 2-3/8 x 12
40	78101	Nut Lock Center 3/8-24
41	100711L	Adaptor Wheel Stng
42	145054X423	Boor Dash Mtl Steering Blk
43	121743X	Washer 25/32 X 1 1/4 X 16 Ga
44	153720	Extension Steering
46	121232X	Cap Spindle Fr Top Blk
47	68557A	Fitting Grease
51	73500500	Nut Lock Hex W/Ins 5/16-18
54	74780520	Bolt Fin Hex 3/8-16unc x 1-1/4
62	167902	Kit Steering Assembly Service
63	74780616	Bolt Fin Hex 3/8-16unc x 1 Gr.5
65	160367	Spacer Brace Axle
66	154434	Bearing Arm Pittman
67	72143618	Bolt Fin Hex 5/8-11 Lnc x 2-3/4
68	169827	Brace Axle
79	19132012	Washer 13/32 x 1 1/4 x 12 Ga.
80	74950512	Bolt Hex 3/8-16 x 3/4
82	169835	Bracket Susp Chassis Front
85	153835	Fastener Christmas Tree

NOTE: All component dimensions given in U.S. inches 1 inch = 25.4 mm



OPTIONAL EQUIPMENT
Spark Arrester

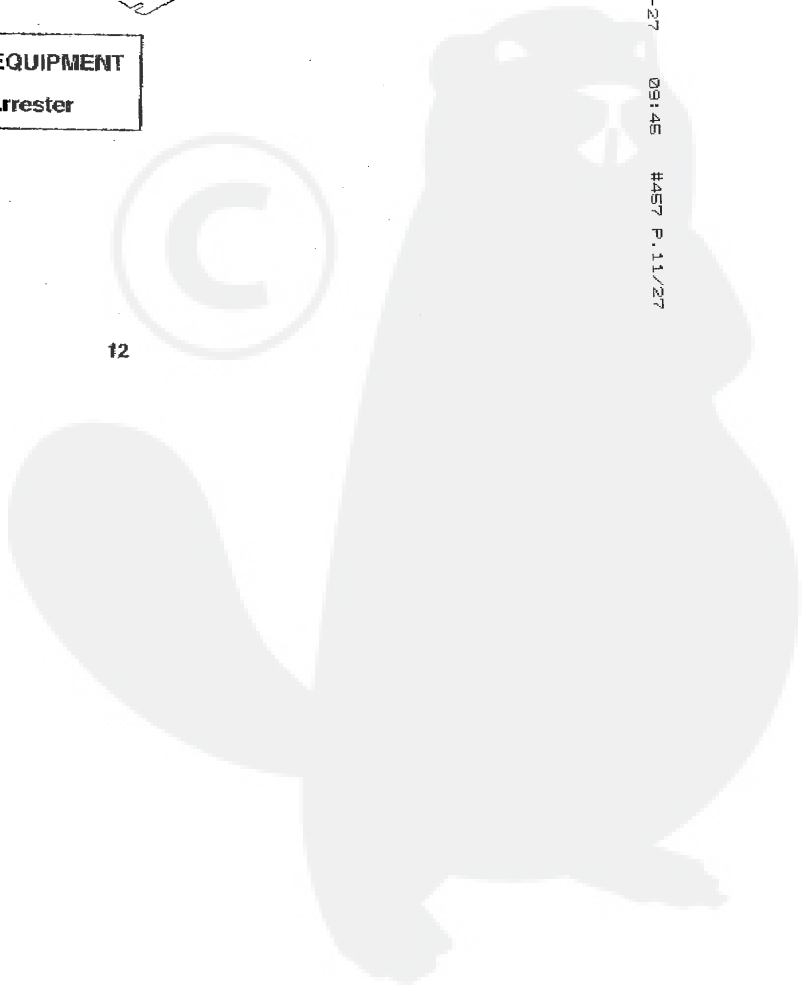
FROM : R. V. P. - SALES DEPT

803 533 4900

1502:08-27

09:45

#457 P.11/27



FROM : D. V. P. - SALES DEPT

803 533 4900

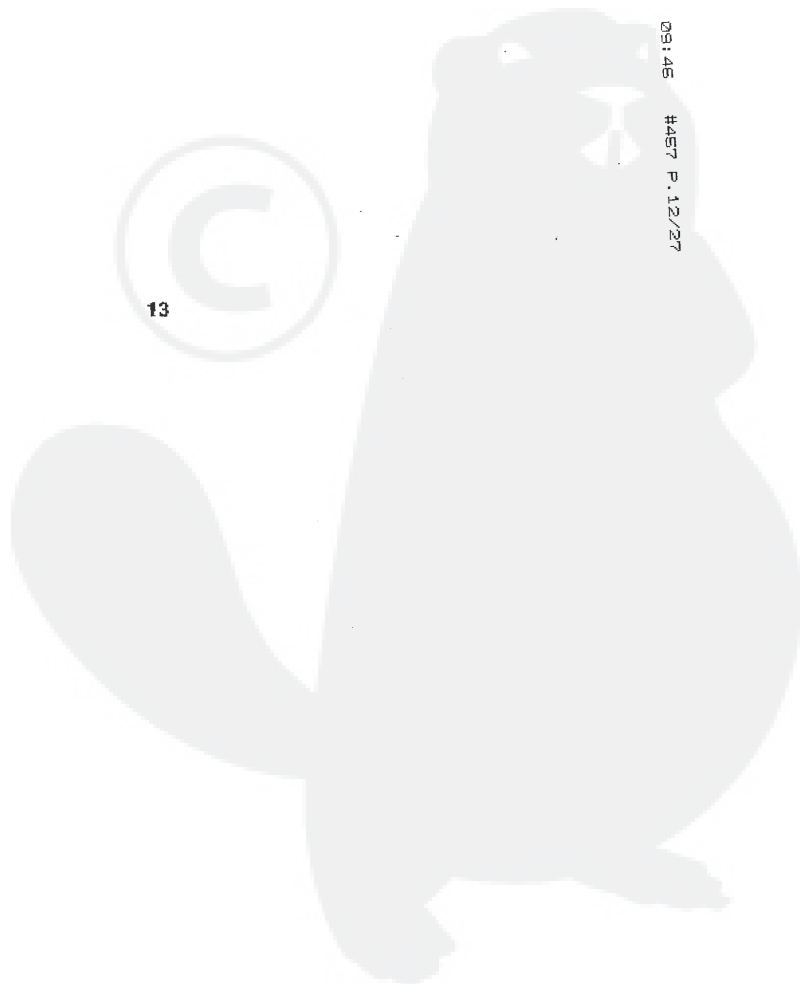
1983-08-27

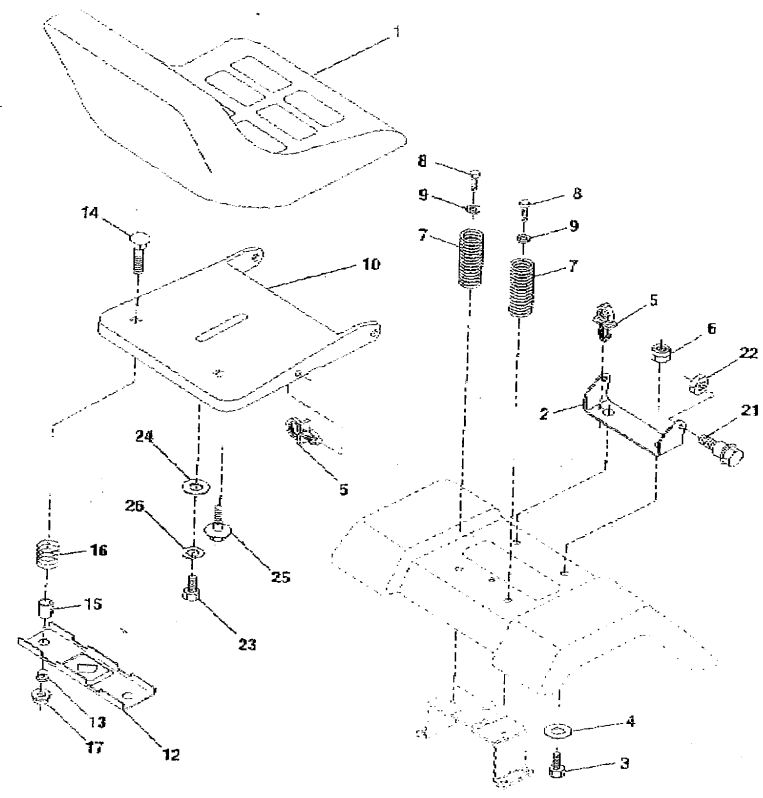
09:45

#457 P. 12/27

KEY NO.	PART NO.	DESCRIPTION
1	141359	Contro. Throt. Flag
2	17720410	Screw Hex Thd C. 1/4-20x5/8 T
3	-----	Engine, Briggs Model 289707 Order Parts From Engine Manufacturer
4	137348	Muffler Exhaust B&S
13	165291	Gasket Eng
14	13280324	Nipple Pipe 3/8 Npt X 3"
15	13200300	Elbow Std 90 Degree 3/8-18 Npt
16	11050600	Washer Lock Ext Tooth 3/8
23	169837	Shield Browning
29	157180	Kit Spark Arrestor (Flat Scr)
31	109202X	Tank Fuel Front 1.25
32	140527	Cap Asm Fuel
33	123487X	Clamp Hose Elk
37	137040	Line Fuel
38	-----	Plug Oil Drain (Order From Engine Manufacturer)
40	124028X	Bushing Strap Nyl Blk Fuel Line
44	17670412	Screw Hexwash Thdrot 1/4-20x3/4
45	17000612	Screw Hexwash Thdrot 3/8-16 x 3/4
46	19031416	Washer 5/32 X 7/8 X 16 Ga
52	10040600	Washer 5/16
55	127951	Stop Throttle 3000 RPM
72	71070512	Screw 5/16-18 x 3/4
73	17060620	Screw 3/8-16x1-1/4
81	73510400	Nut Keps Hex 1/4-20 Unc

NOTE: All component dimensions given in U.S. inches
(1 inch = 25.4 mm.)

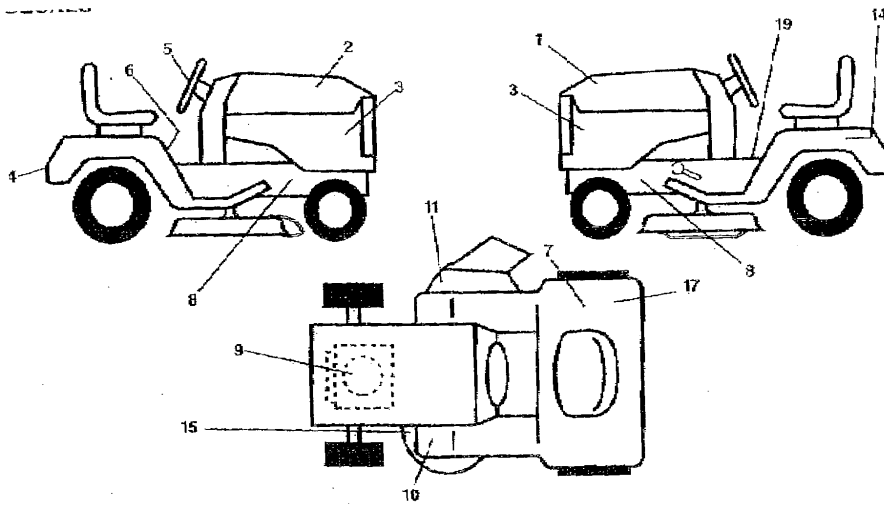




KEY NO.	PART NO.	DESCRIPTION
1	127425X	Seat
2	140551	Bracket, Pivot, Seat
3	71110615	Bolt
4	19131613	Washer 13/32 x 1 x 10 Ga.
5	145006	Clip, Push-in
6	73800600	Nut
7	12418-X	Spring, Seat
8	17000616	Screw 3/8-16 x 1-1/2
9	19131614	Washer 13/32 x 1 x 14 Ga.
10	155325	Part, Seat
12	2124EX	Bracket, Mounting, Switch, Seat
13	121240X	Bushing, Nylon

KEY NO.	PART NO.	DESCRIPTION
14	72050412	Nut, Crownlock 1/4-20 x 1-1/2
15	134300	Spacer, Split
16	121250X	Spring
17	123976X	Nut, Lock, Flange 1/4 Gr. 5
21	171852	Bolt, Shoulder 5/16-18 UNC
22	73800500	Nut
23	74780814	Bolt Fin Hex 1/2 - 13 x 7/8 Gr 5
24	19171912	Washer 17/32 x 1-3/16 x 12 Ga.
25	27018X	Bolt Shoulder 5/16-18 x .62
26	10040800	Washer Lock Hwy Hclic Spr 1/2

NOTE: All component dimensions given in U.S. inches
1 inch = 25.4 mm



PARTS SALES DEPT.

803 533 4900

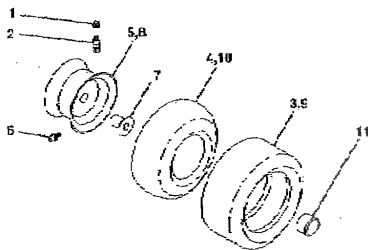
1903-08-27

09147

KEY NO.	PART NO.	DESCRIPTION
11	143396	Decal, Hood LH
2	143395	Decal, Hood RH
3	159525	Decal, Pri Side
4	123689X	Decal, Fender
5	146397	Decal, Ins. Strg. WHL
6	145499	Decal, Read Owner's Manual Syms
7	145487	Decal, Europe Star OE
8	159736	Decal, Chassis Hot Muffler
9	170832	Decal, HP Engine

KEY NO.	PART NO.	DESCRIPTION
10	159737	Decal, Brake/Clutch Symbol
11	145494	Decal, Mower Clifinger Symbol
14	145005	Decal, Battery Dan/Foi P/L Symbols
15	160396	Decal, V-Belt-SCM
17	126187X	Decal, Certification
19	140837	Decal, Parking Brake
--	132598	Decal, Drawbar Load Limit
--	136311	Decal, Handle, Lift, Height Adjust (Lift Handle)
--	139671	Pac, Footrest
--	173822	Manual, Operators (European)
--	173823	Manual, Repair Parts

TIRES AND WHEELS



KEY NO.	PART NO.	DESCRIPTION
1	59192	Cap, Valve
2	65139	Stem, Valve
3	106222X	Tire Front
4	59904	Tube, Front (not furnished)
5	106732X417	Rim, Asm. Front
6	276H	Grease Fitting (rear tire only)
7	9040H	Bearing, Flange (front tire only)
8	106108X417	Rim, Asm. Rear
9	124635X	Tire, Rear
10	7152J	Tube, Rear (not furnished)
11	104757X	Cap, Axle
--	144934	Sealant, Tire (10 oz. Tube)

NOTE: All component dimensions given in U.S. inches
1 inch = 25.4 mm

ROVER 1

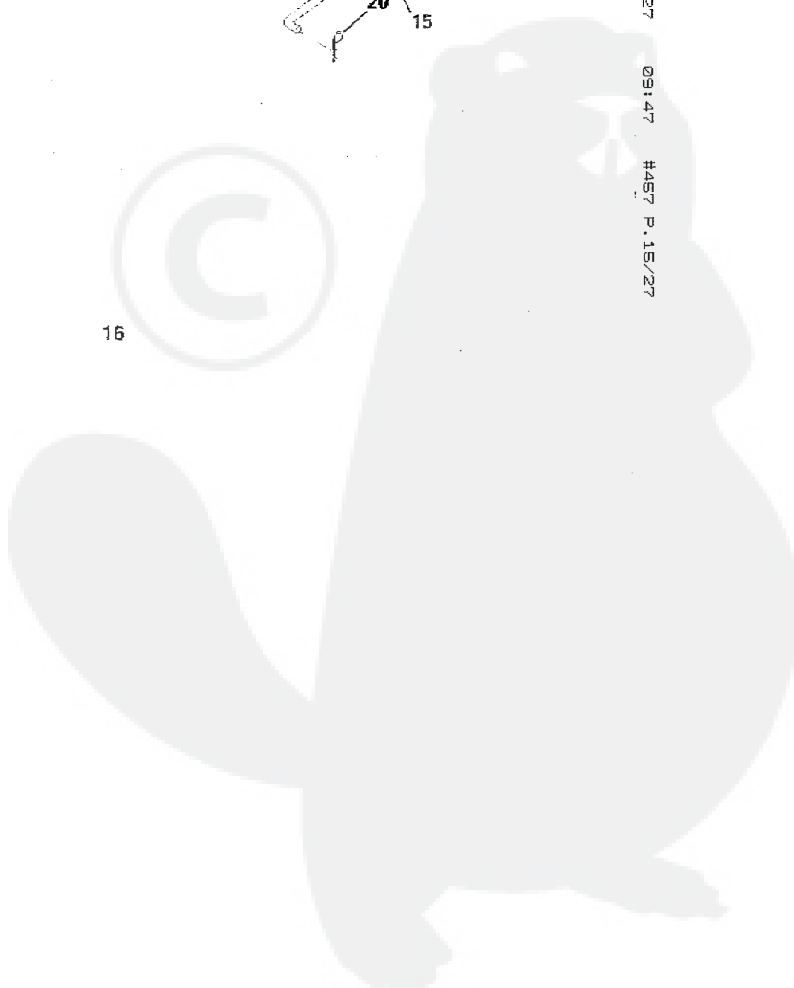
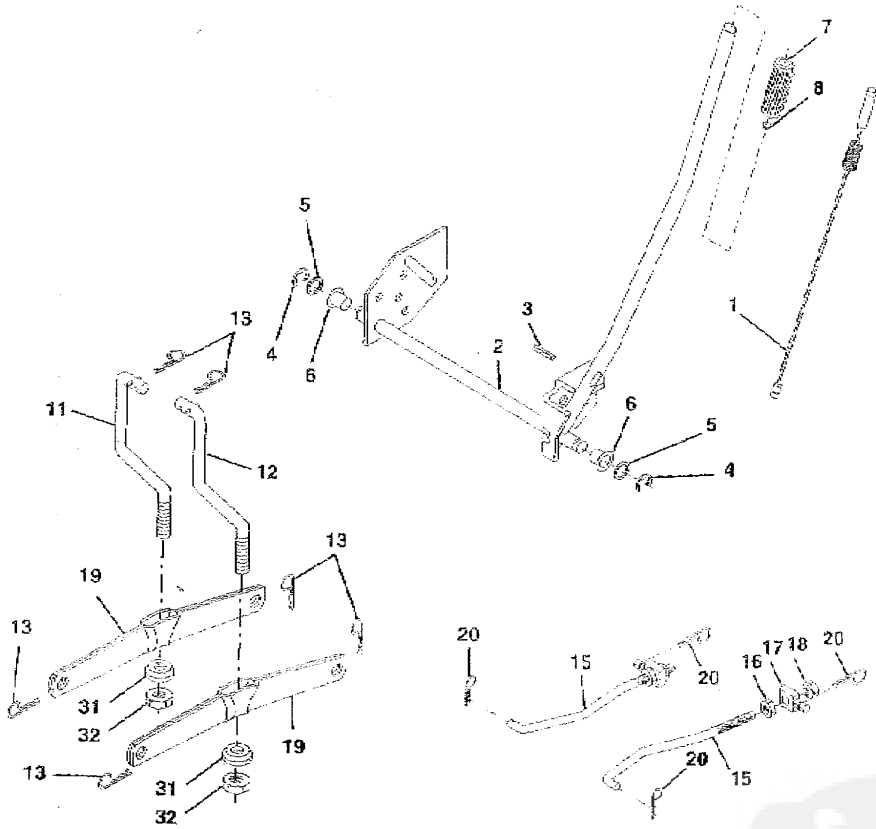
FROM : R.V.P. - SALES DEPT

803 533 4900

1902.08-27

09:47

#457 P.15/27



FROM : R. Y. P. - SALES DEPT

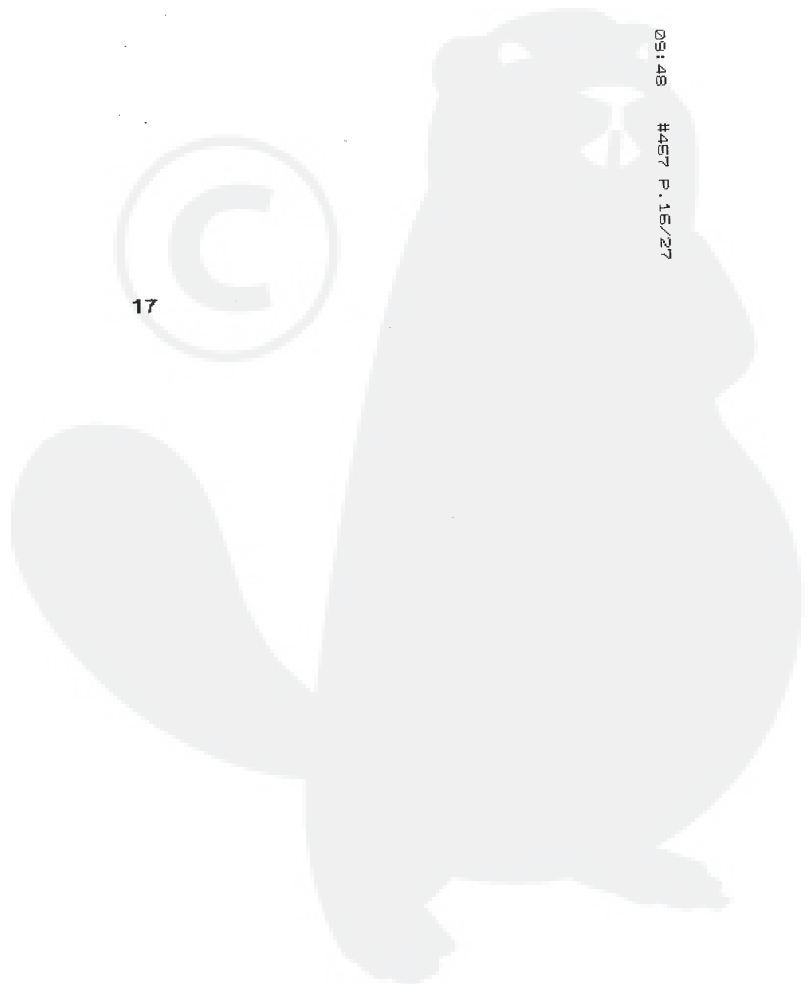
803 533 4900

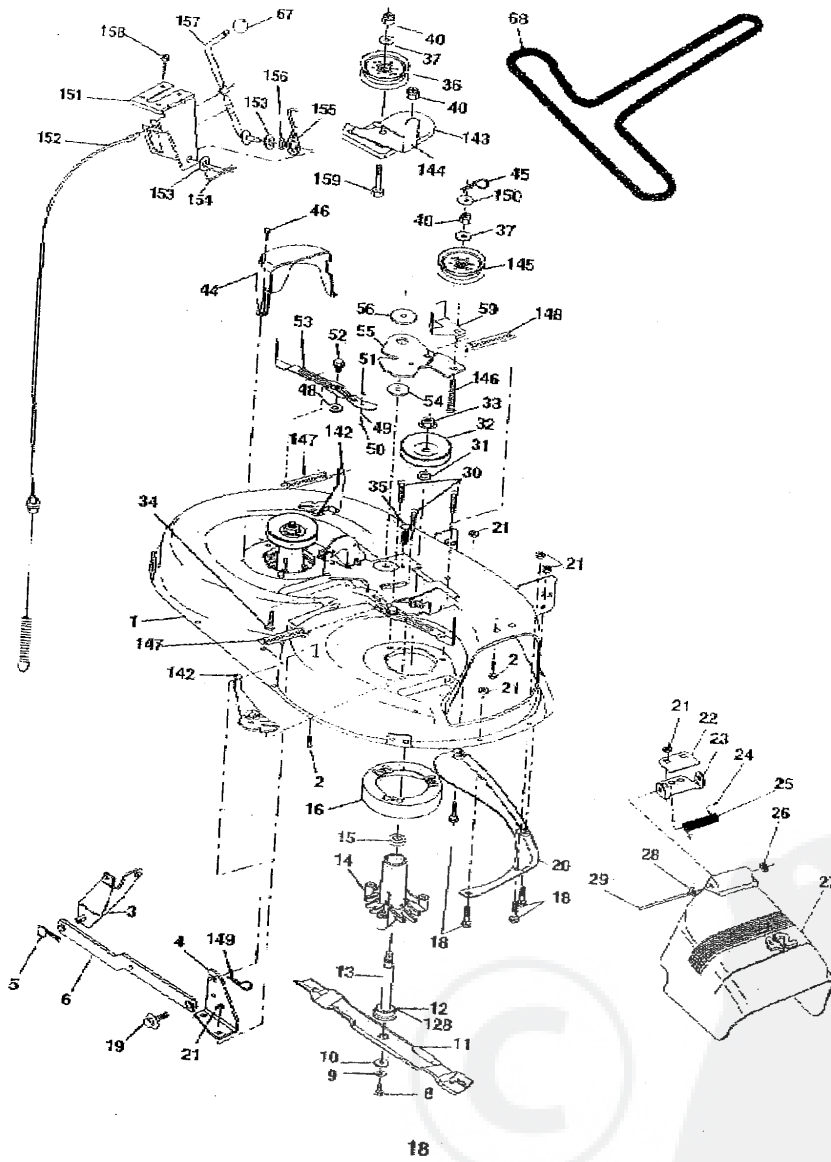
KEY NO.	PART NO.	DESCRIPTION
1	159460	Asm. Inner Wire w/Plunger
2	159471	Asm., Shell, Lift
3	105767X	Pin, Groove
4	2000C02	Ring, E #5: 33-62
5	9211621	Washer 21/32 x 1 x 21 Ga.
6	120183X	Bearing, Nylon
7	109413X	Grip Handle Bicycle Matte Blk
8	124525X	Button, Plunger
11	139865	Link, Lift, Lh
12	139866	Link, Lift, Rh
13	4839M	Spring, Retainer
15	173288	Link, Front
16	73350800	Nut, Jam, Hex 1/2-13 Unc
17	130:71	Trunnion
18	73E09800	Nut, Lock w/washer 1/2-13 Unc
19	135868	Arm, Suspension, Rear
20	163552	Spring, Retainer
31	140302	Bearing, Pv: Lf
32	73540600	Nut Crownlock 3/8-24

NOTE: All component dimensions given in U.S. inches
1 inch = 25.4 mm

1903-08-27

09:48 #457 P.16/27





FROM : R. Y. P. - SALES DEPT

803 533 4500

1902.08-27 09148 #457 P.17/27

KEY NO.	PART NO.	DESCRIPTION
1	165382	Mower Deck Assembly, 42"
2	7214C506	Bot.
3	73917	Bracket Assembly, Sway Bar, Front
4	16549C	Bracket, Sway Bar 38/42" Deck
5	4939M	Retainer Spring
6	130832	Arm, Suspension, Rear
8	850857	Bolt, Hex 3/8-24 x 1.25 Gr. 8
9	1003090C	Washer, Lock
10	140295	Washer, Hardened
11	138498	Blade, High Peel
12	129895	Bearing, Ball
13	157645	Shaft Assembly, Mandrel, Vented (Includes Key Number 2)
14	126774	Housing, Mandrel, Vented
15	110485X	Bearing, Ball, Mandrel
16	14C329	Stripper, Vented Mower Deck
18	72140505	Bolt, Carriage 5/16-18 x 5/8
19	132627	Bolt, Shoulder
20	153770	Barrel, Vortex
21	73680500	Nut Crownlock 5/16-18 UNC
22	134755	Stiffener Bracket
23	131267	Bracket, Deflector
24	105304X	Cap, Sleeve
25	723715X	Spring, Torsion, Deflector
26	110452X	Nut, Push
27	130959X428	Shield, Deflector
28	1911016	Washer 11/32 x 5/8 x 16 Ga.
29	131491	Rod, Hinge
30	157722	Screw Thread Washer Head
31	129963	Washer, Spacer
32	153535	Pulley, Mandrel
33	137266	Nut, Toplock, Flanged
34	72110614	Bolt
35	139635	Fastener Christmas Tree
36	131494	Pulley, Idler, Flat
37	13121316	Washer 15/32 x 13/16 x 16 Gauge
40	73680600	Nut Crownlock 3/8-16 UNC
44	140368	Guard, Mandrel, L.H.

KEY NO.	PART NO.	DESCRIPTION
45	4497-	Retainer
46	137729	Screw, Thd. Ro 1 1/4-20 x 5/8
48	133844	Washer, Hardened
49	155065	Folle. Assembly, Cam Follower
50	131340	Bolt, Shoulder #10-24 Grade 5
51	69180	Locknut
52	139888	Bolt, Shoulder 5/16-18 UNC
53	131845	Arm Assembly, Fad, Brake
54	133943	Washer, Hardened
55	155046	Arm, Idler
56	165723	Soccer, Retainer
59	141043	Guard, T.V. Idler
67	106932X	Knob, round
68	144959	V-Belt
128	133950	Washer Felt
142	165850	Arm Spring Brake Mower
143	157109	Bracket Arm Idler 42"
144	153634	Keeper Belt 42" Clutch Cable
145	165808	Pulley Idler Flat
146	165391	Bolt Carriage Idler
147	131335	Spring Extension
148	169322	Spring Return Idler
149	165398	Retainer Spring Yellow Zinc
150	19091216	Washer 9/32 x 9/4 x 16 Ga.
151	169670	Bracket Clutch
152	169676	Cable Clutch 42 in
153	169674	Washer Flat 3/8" Type B
154	169675	Spring Retainer
155	169671	Spring Retention Lever
156	169672	Spacer
157	169669	Red Clutch
158	17720410	Screw Hex Thd Cut 1/4-20 x 5/8
159	72140614	Bolt Fdhd Sq: 3/8-16 Unc x 1-3/4
--	130794	Mandrel Assembly (Includes Key Numbers 8-10, 12-15, 31 and 32)
--	171629	Mower Deck, complete

NOTE: All component dimensions given in U.S. inches
1 inch = 25.4 mm.

FROM I.D.V.P. - SALES DEPT.

803 533 4900

1502-08-27

09148

#457 P. 18/27



TECUMSEH

Issued January 1982
Revised January 1992

POLICY WARRANTY



TECUMSEH

FROM : D. V. P. - SALES DEPT.

0005 6753 49000

4002 08-27

09143

4457 P. 19-27

LIMITED WARRANTIES FOR NEW PEERLESS GEAR POWER TRAIN COMPONENTS

A. Products Warranted

Peerless Gear and Machine Division of Tecumseh Products Company ("Tecumseh"), subject to the limitations contained below will, at its option, repair or replace, without charge for parts or labor only, any part of a new Power Train Component (which as used herein means and includes the transaxle, gear box, transmission, differential and right angle drives, and any part of the Power Train Component), EXCEPT any new Power Train Component incorporated in equipment used for commercial or rental purposes, which is found upon examination by any Tecumseh Authorized Service Outlet or by Tecumseh's factory in Grafton, Wisconsin, to be DEFECTIVE IN MATERIAL AND/OR WORKMANSHIP if received by Tecumseh or a Tecumseh Authorized Service Outlet for such examination within TWO YEARS from the date of sale to the original consumer purchaser of Peerless Series 820, 900, 910, 915, 920, 930 transaxles and Series 1100 angle drive and ONE YEAR for all other Peerless products. New Power Train Components incorporated in equipment used for commercial purposes are warranted in the same manner and to the same extent EXCEPT such Power Train Components are warranted for NINETY (90) DAYS ONLY, and must be received by Tecumseh or by a Tecumseh Authorized Service Outlet for such examination within 90 days from the date of sale to the original purchaser. New Power Train Components incorporated in equipment used for rental purposes are warranted in the same manner and to the same extent EXCEPT such Power Train Components are warranted for THIRTY (30) DAYS ONLY, and must be received by Tecumseh or a Tecumseh Authorized Service Outlet within 30 days from the date of sale to the original purchaser.

B. Products And Items Not Warranted

1. Alterations or Modifications of Power Train Components.
2. Accidents, Normal Maintenance, Failure to follow the Original Equipment Manufacturer's Manual.

This warranty covers only parts of new Power Train Components which are found upon examination to be defective in material or workmanship as delivered to the original purchaser. This warranty does not cover defects caused by depreciation or damage caused by normal wear, accidents, improper maintenance, improper use or abuse of the product, failure to follow the instructions contained in an Instruction Manual for the operation of the Power Train Component and parts. The cost of normal maintenance and replacement of service items which are not defective shall be paid for by the original purchaser.

C. Securing Warranty Service

Warranty service can be arranged for by contacting either a Tecumseh Authorized Service Outlet (any Tecumseh Registered Service Dealer, Tecumseh Authorized Service Distributor, or Tecumseh Central Warehouse Distributor) or by contacting Tecumseh, or a Service Manager, Engine and Transmission Division, 500 North Street, Grafton, Wisconsin 53024. Warranty service can only be performed by a Tecumseh Authorized Service Outlet or by Tecumseh at its factory in Grafton, Wisconsin. At the time of requesting warranty service, evidence must be presented of the date of sale to the original purchaser. The purchaser shall pay any charges for making service calls and/or for transporting the product to and from the place where the inspection and/or warranty work is performed. The purchaser shall be responsible for any damage or loss incurred in connection with the transportation of Power Train Components and/or part(s) of the Power Train Components submitted for inspection and/or warranty work.

D. Limitation of Damages and Implied Warranties

The foregoing EXPRESSED WARRANTY IS IN LIEU OF ALL OTHER EXPRESSED WARRANTIES. Neither Tecumseh nor any of its affiliates makes any warranties, representations or promises written or oral, as to the quality of the Power Train Component or any of its parts, other than as set forth herein.

ANY IMPLIED WARRANTY OF MERCHANTABILITY OR FITNESS FOR A PARTICULAR PURPOSE, TO THE EXTENT THAT EITHER MAY APPLY TO ANY PART(S) OF POWER TRAIN COMPONENTS, SHALL BE LIMITED IN DURATION TO THE PERIODS OF THE EXPRESSED WARRANTIES DEFINED IN PARAGRAPH A HEREOF. IN NO EVENT WILL TECUMSEH BE LIABLE FOR ANY INCIDENTAL, CONSEQUENTIAL OR SPECIAL DAMAGES AND/OR EXPENSES. Some states do not allow limitations on how long an implied warranty lasts or the exclusion or limitation of incidental or consequential damages, so the above limitation(s) or exclusion(s) may not apply to you. This warranty gives you specific legal rights and you may also have other legal rights which vary from state to state.

E. No Dealer Warranty

Tecumseh neither assumes nor authorizes any other person, natural or corporate, to assume for Tecumseh any other obligations or liabilities in connection with or with respect to any part(s) of a Power Train Component. The seller or dealer of part(s) of a Power Train Component has no authority, whatsoever, to make any representations or promises on behalf of Tecumseh or to modify the terms or limitations of Tecumseh's warranty in any way.