

MASTER PARTS MANUAL

GARDEN TRACTOR ATTACHMENTS

MODELS:

TT2041R0	TT6031R1	HA0232R0
TT2131R	TT6131R0	HA0231R
TT2231R	TT6231R0	
TT2631R0	TT6431R0	
TT3042R0	TT6951R	D2117AR
TT4031R0		D3217AR
TT4131R0	TA157AR	D44152R1
TT4241R0	TA1331R0	D54252R1
TT4331R0	TA207AR	D84351R1
TT4431R0		
TT4631R0	H30031R0	
TT4931R0	H60031R0	
TT5031R1	H60042R0	
TT5051R0		
TT517AR		
TT5251R		

LAWN AND GARDEN
POWER EQUIPMENT

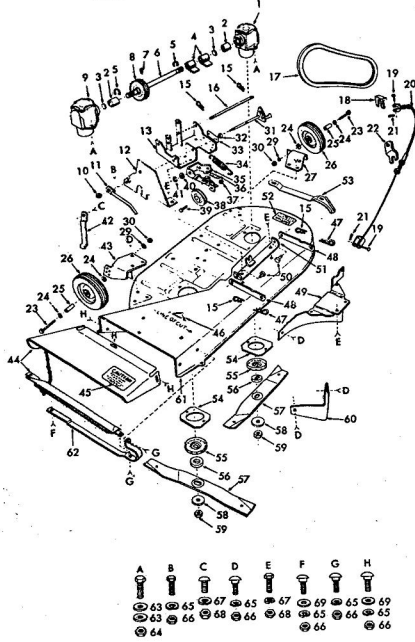
ROPER SALES

1905 WEST COURT STREET
KANKAKEE, ILLINOIS 60901

618J
6.1.77
PRICE \$2.00

repair parts

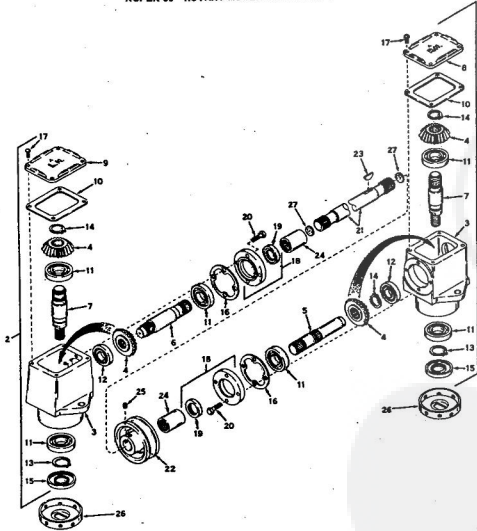
ROPER 38" ROTARY MOWER—MODEL NO. TT2041R0



ROPER 38" ROTARY MOWER—MODEL NO. TT2041R0

KEY NO.	PART NO.	DESCRIPTION	KEY NO.	PART NO.	DESCRIPTION
1	79402	Head Assembly L.H.	42	8310H1	Pulley Guard Guide
2	786028	Coupling, Input Connector	43	626A284	Wheel Bracket Assembly R.H.
3	788029	Disc, Felt	44	626A256	Deflector Assembly w/Chain
4	2037R	Viper Sleeve	45	3538R	Deflector-Caution Decal
5	5231H	Crescent Ring	46	3239R	Safety Standard Sticker
6	776085	Shaft, Input Connector	47	4940M	Retainer Spring
7	792027	Set Screw, Knotted Hd., C. P.	48	5050H	Pivot Link Front
8	786059	Shaft	49	626A286	Blade Shield Assembly
9	794041	Head Assembly R.H.	50	1032S	Pivot Pin
10	511P	Nylon Nut 3/8-24	51	626A352	Mower Housing Mounting
11	626A271	Blade Clutch Handle	52	3539R	Weldment
12	7717H2	Pulley Guard	53	3848R	Instruction-Caution Decal
13	626A355	Housing Mount Assembly	54	1567R	Runner L.H.
14	4939M	Retainer Spring	55	786044	Mandrel Plate
15	957R	Front Shift	56	786044	Shield
16	1563R	V-Belt	57	2464R	Blade Safety Drive
17	2259R	Spring Clip	58	9914M	Blade (Cat. No. 25062)
18	2259R	Spring Clip	59	599P	Spring Washer
19	2259R	Spring Clip	60	968R	Nylon Nut 5/8-18
20	2547R	Mower Clutch Cable	61	7392R	Blade Shield Outfit
21	2303P	Caster Pin 3/32 x 2 1/2	62	960R	Mower Housing
22	2540R	Clutch Cable Anchor	63	1537P	Runner R.H.
23	3199P	Hex Bolt 3/8-24 x 2 1/4	64	545P	Washer 13/32 x 13/16 x 11 Ge.
24	1545P	Washer 13/32 x 7/8 x 14 Ge.	65	1003P	Crown Locknut 3/8-16
25	7379H	Bushing	66	1004P	Lockwasher 3/8
26	9366H	Roller, Gauge	67	501P	Hex Nut 5/16-18
27	626A283	Wheel Bracket Assembly L.H.	68	1004P	Hex Nut 3/8-16
28	1004P	Lockwasher 3/8	69	1537P	Washer 11/32 x 11/16 x 16 Ge.
29	515P	Hex Nut 3/8-24	70	501P	Hex Bolt 3/8-16 x 1 1/2 Grade 5
30	626A342	Control Arm Assembly	A	3137P	Hex Bolt 3/8-16 x 1 1/2 Grade 5
31	2510R	Spacer	B	3159P	Hex Bolt 5/16-18 x 7/8
32	2510R	Spacer	C	3223P	Stemmed Rd. Hd. Mech. Screw 3/8-16 x 1 1/2
33	2510R	Spacer	D	16P	Carriage Bolt 5/16 x 1 1/2
34	626A372	Idle Bracket Assembly	E	3023P	Hex Bolt 3/8-16 x 1 1/2
35	382R	Decal	F	17P	Carriage Bolt 5/16-18 x 1
36	548P	Idle Pulley	G	17P	Carriage Bolt 5/16-18 x 1
37	1342R	Idle Pulley	H	16P	Carriage Bolt 5/16-18 x 1/2
38	3537P	Hex Bolt 3/8-24 x 1 1/2	---	5001R	Owners Manual and Parts List
39	1545P	Washer 17/32 x 1 x 16 Ge.			
40	5002P	E-Ring Truarc 5132-50			
41					

ROPER 38" ROTARY MOWER—MODEL NO. TT2041R0

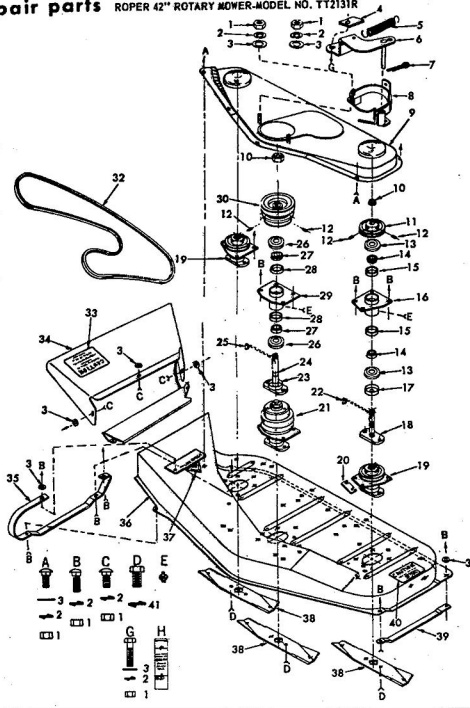


ROPER 38" ROTARY MOWER—MODEL NO. TT2041R0

KEY NO.	PART NO.	DESCRIPTION	KEY NO.	PART NO.	DESCRIPTION
1	794041	Head Assy., Right Hand (Incl. Nos. 3, 4, 5, 7, 8 and 10 thru 20)	16	788030	Gasket, Cop
2	794042	Head Assy., Left Hand (Incl. Nos. 3, 4, 5, 7, 8 and 10 thru 20)	17	792025	Screw, Rd. Hd. Self Tap, 10 - 24 x 3/8
3	770026	Beer, Miller	18	786029	Cop and Seal Assy., Rele (Incl. Nos. 19 & 20)
4	778046	Shaft, Input Pinion	19	788031	Seal, Oil
5	776040A	Shaft, Output	20	752026	Screw, Hex Hd. 1/4 - 20 x 7/8
6	776041	Shaft, Input Pinion	21	776085	Shaft, Input Connector
7	776092	Shaft, Output	22	786059	Shaft, Input Connector
8	772034	Cover, Right Hand	23	792047	Key, Woodruff, 3/16 x 3/4
9	772035	Cover, Left Hand	24	786028	Coupling, Input Shaft
10	788028	Gasket, Cover	25	792027	Set Screw, Knotted Hd. C. P.
11	780034	Bearing, Ball	26	786044	Shield
12	780034	Bearing, Ball	27	788039	Disc, Felt
13	788019	Ring, Snap			
14	788018	Ring, Snap			
15	788029	Seal, Oil			

ALL PARTS ON THIS PAGE MUST BE PURCHASED THROUGH YOUR LOCAL TECUMSEH DEALER.

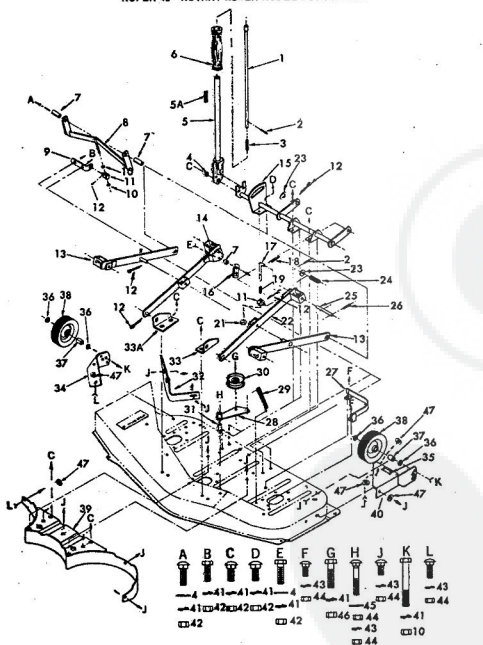
repair parts ROPER 42" ROTARY MOWER-MODEL NO. TT2131R



ROPER 42" ROTARY MOWER-MODEL NO. TT2131R

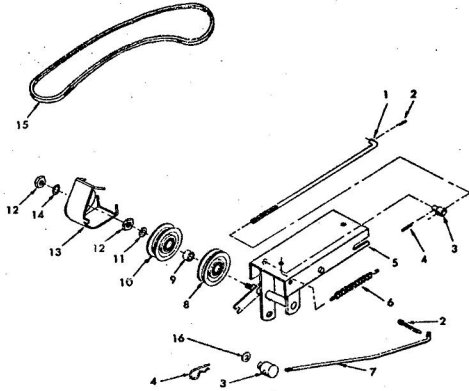
KEY NO.	PART NO.	DESCRIPTION	KEY NO.	PART NO.	DESCRIPTION
1	504P	Hex Nut 5/16-18	25	880R	Woodruff Key 1/2 x
2	1003P	Lockwasher 5/16	26	883R	Metallic Seal
3	1537P	Washer 11/32 x 11/16 x 16 Ga.	27	9494H	Bearing Cone
4	2629R	Brake Shoe	28	888R	Bearing Cup
5	3770R	Spring	29	634A427	Mandrel Tube & C
6	634A590	Stubler Weldment	30	634A481	Mandrel Shaft-Cen
7	2503P	Cutter Pin 3/32 x 3/4	31	6942R	V-Belt (Center to i
8	634A588	Belt Guide Weldment-Center	32	3538R	Deflector-Coution
9	634A482	Deck Drive Cover & Metal Bolts	33	634A498	Deflector Shield w
10	4831H	Elastic Stop Nut 3/16	34	3724R	Runner R.H.
11	634A417	Mandrel Sleeve-Outer w/Ser Screws	35	3863R	Mower Housing
12	4515P	Hex Socket Headless Set Screw 3/8-16 x 5/8	36	3239P	Safety Switch-5 S
13	881R	Metallic Seal	37	9464H	Blade
14	1554H	Bearing Cone	38	2070R	Runner L.H.
15	1532H	Bearing Cup	39	3539R	Instruction-Coution
16	634A431	Mandrel Tube & Caps Outer	40	1001P	Lockwasher 7/16
17	9494H	Mandrel Cup	41	16P	Carriage Bolt 5/16
18	634A315	Mandrel Cup-Center w/Shaft-Outer	A	17P	Carriage Bolt 5/16
19	634A423	Mandrel Assembly w/Shaft-Outer	B	16P	Carriage Bolt 5/16
20	9591R	Mandrel Shim-L.H.	C	2004P	Hex Bolt 7/16 x 1-1/2
21	634A485	Mandrel Assembly w/Shaft-Center	D	6855M	Grease Fitting
22	830H	Woodruff Key 3/4-1 H.T.	E	3011P	Hex Bolt 5/16-18 x 1/2
23	1034S	Lockwasher 3/8	F	2557R	Grease Nut Funnell with Mower (For Se Chly)
24	634A426	Shaft & Flange-Center			

ROPER 42" ROTARY MOWER-MODEL NO. TT2131R



KEY NO.	PART NO.	DESCRIPTION	KEY NO.	PART NO.	DESCRIPTION
1	634A339	Lever Plunger & Button	32	2889R	Discharge Chute Flinn
2	9465M	Roll Pin 3/16 x 1 1/2	33	3544R	Suspension Block-L
3	1556P	Washer 13/32 x 7/8 x 14 Ga.	34	3543R	Suspension Block-R
4	634A373	Lift Lever	35	2070R	Front R.H.
5	2889R	Roll Pin 3/16 x 1 1/2	36	1556P	Washer 13/32 x 7/8 x 14 Ga.
6	2889R	Roll Pin 3/16 x 1 1/2	37	9592H	Shaft & Flange
7	2889R	Roll Pin 3/16 x 1 1/2	38	9593H	Model Pin
8	634A328	Pinch Adjustment Weldment	39	634A329	Bushing
9	215P	Hex Nut 3/8-24	40	634A480	Blade Shield Assembly
10	215P	Hex Nut 3/8-24	41	1004P	Lockwasher 3/8
11	2420H	Leveling Pin	42	501P	Hex Nut 3/8-16
12	634A345	Suspension Arm Weldment	43	501P	Hex Nut 3/8-16
13	634A344	Suspension Arm Weldment	44	504P	Hex Nut 5/16-18
14	634A344	Suspension Arm Weldment	45	1556P	Washer 13/32 x 7/8 x 14 Ga.
15	634A624	Lift Link	46	3039P	Hex Jam 3/16 x 1/16 x 16 Ga.
16	929R	Lift Link	47	21P	Spring
17	2503P	Cutter Pin 3/32 x 3/4	A	3032P	Hex Bolt 3/8-16 x 1 1/2
18	2503P	Cutter Pin 3/32 x 3/4	B	20P	Hex Bolt 3/8-16 x 1 1/2
19	9535H	Spring	C	3023P	Hex Bolt 3/8-16 x 1 1/2
20	9535H	Spring	D	28P	Hex Bolt 3/8-16 x 1 1/2
21	9535H	Spring	E	3023P	Hex Bolt 3/8-16 x 1 1/2
22	634A343	Suspension Arm Weldment	F	16P	Carriage Bolt 5/16
23	1508P	Lockwasher 13 Ga.	G	7P	Carriage Bolt 5/16-18 x 2 1/2
24	3708R	Roll Pin 3/16 x 2	H	7P	Carriage Bolt 5/16-18 x 2 1/2
25	9594H	Roll Pin 3/16 x 2	J	634A477	Blade Assembly
26	9594H	Roll Pin 3/16 x 2	K	2070R	Front R.H.
27	634A334	Blade Assembly	L	3199P	Blade
28	634A477	Blade Assembly			
29	2070R	Front R.H.			
30	2070R	Front R.H.			

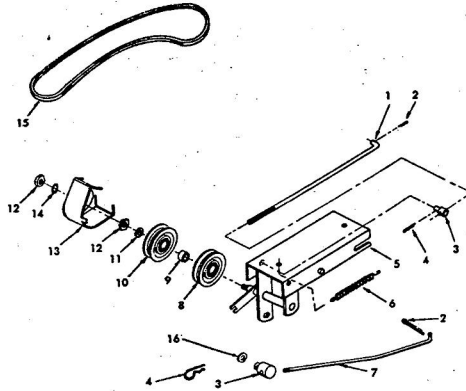
ROPER 42" ROTARY MOWER-MODEL NO. TT2131R



KEY NO.	PART NO.	DESCRIPTION	KEY NO.	PART NO.	DESCRIPTION
1	3705R	Belt Tightener Link	9	9366H	Bushing
2	2510P	Cutter Pin 5/32 x 1	10	634A566	Outside Idler
3	3707R	Adjusting Pin	11	1519P	Washer 15/32 x 1 x 12 Ga.
4	4942M	Retainer Spring	12	516P	Hex Nut 7/16-20
5	634A619	Idler Shaft Assembly	13	634A618	Belt Guide Weldment-Front
6	9502H	Spring	14	1001P	Lockwasher 7/16
7	3746R	Swabber Pull Rod	15	6941R	V-Belt (Mower Main Drive Belt)
8	634A565	Inside Idler	16	1569P	Washer 9/16 x 15/16 x 11 Ga.

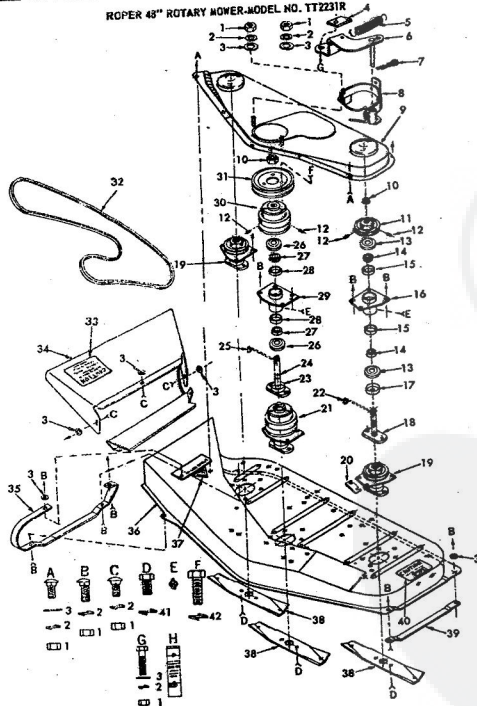
repair parts

ROPER 48" ROTARY MOWER-MODEL NO. TT2231R



KEY NO.	PART NO.	DESCRIPTION	KEY NO.	PART NO.	DESCRIPTION
1	3705R	Belt Tightener Link	9	9366H	Bushing
2	2510P	Cutter Pin 5/32 x 1	10	634A566	Outside Idler
3	3707R	Adjusting Pin	11	1519P	Washer 15/32 x 1 x 12 Ga.
4	4942M	Retainer Spring	12	516P	Hex Nut 7/16-20
5	634A619	Idler Shaft Assembly	13	634A618	Belt Guide Weldment-Front
6	9502H	Spring	14	1001P	Lockwasher 7/16
7	3746R	Swabber Pull Rod	15	6941R	V-Belt (Mower Main Drive Belt)
8	634A565	Inside Idler	16	1569P	Washer 9/16 x 15/16 x 11 Ga.

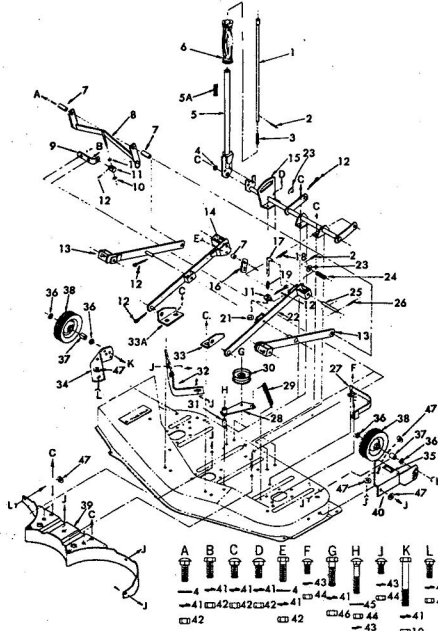
ROPER 48" ROTARY MOWER-MODEL NO. TT2231R



ROPER 48" ROTARY MOWER-MODEL NO. TT2231R

KEY NO.	PART NO.	DESCRIPTION	KEY NO.	PART NO.	DESCRIPTION
1	504P	Hex Nut 5/16-18	25	880R	Woodruff Key 1/2 x 1.7 H.T.
2	1003P	Lockwasher 5/16	26	982R	Metallic Seal
3	1537P	Washer 11/32 x 11-16 x 16 Ga.	27	9494H	Bearing Cone
			28	888R	Bearing Cup
			29	634A427	Mandrel Tube & Cups-Center
4	2629R	Becke Shoe	30	634A419	Mandrel Sleeve-Center w. Set Screw
5	2770R	Spring	31	2060R	Mandrel Sleeve Upper Center
6	634A592	Swabber Weldment	32	6943R	V-Belt (Center to Outer Mandrel)
7	2302P	Cutter Pin 3/32 x 3-4	33	3538R	Deflector-Caution Decal
8	634A591	Belt Guide Weldment-Center	34	634A499	Deflector Shield w/Chain Runner R.H.
9	634A484	Deck Drive Cover & Weld Bolts	35	3725R	Mower Housing
10	4231H	Electric Stop Nut 3/16	36	3664R	Safety Standards Sticker
11	634A417	Mandrel Sleeve-Outer w. Set Screws	37	9465H	Blade
12	4515P	Hex Socket Headlast Set Screw 3/8-16 x 3-8	38	2071R	Runner L.H.
13	881R	Metallic Seal	39	3539R	Instruction-Caution Decal
14	1534H	Bearing Cone	40	1001P	Lockwasher 7/16
15	1535H	Bearing Cup	42	1004P	Lockwasher 3/8
16	634A431	Mandrel Tube & Cups Outer	A	16P	Carriage Bolt 5/16-18 x 3/4
17	9458H	Mandrel Cap	B	17P	Carriage Bolt 5/16-18 x 1
18	634A315	Shaft & Flange Outer	C	16P	Carriage Bolt 5/16-18 x 3/4
19	634A425	Mandrel Assembly w. Shaft Outer	D	3204P	Hex Bolt 7/16 x 14 x 3/4 H.T. Grade 5
20	9951R	Mandrel Shaft-L.H.	E	6855H	Grease Fitting
21	634A424	Mandrel Assembly w. Shaft Center	F	3022P	Hex Bolt 3/8-16 x 1
22	8330H	Woodruff Key 1/2 x 1 H.T.	G	3011P	Hex Bolt 5/16-18 x 1
23	1036R	Mandrel Cup Center	H	2537R	Anchor No. 1 E.P. Grease Not Furnished with Mower (For Service Only)
24	634A426	Shaft & Flange-Center			

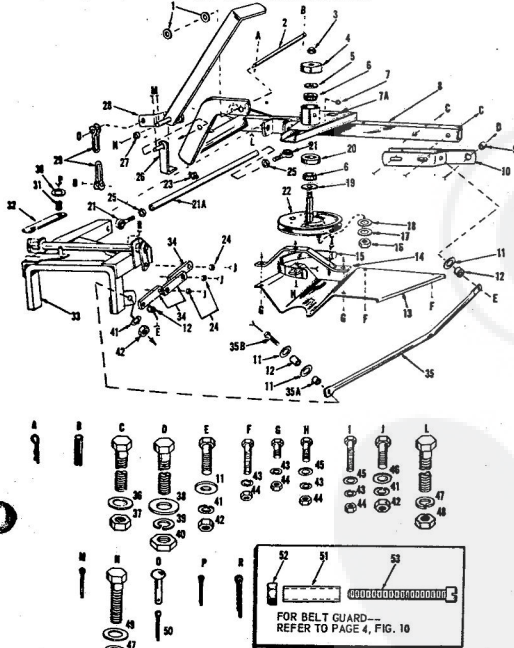
ROPER 48" ROTARY MOWER-MODEL NO. TT2231R



ROPER 48" ROTARY MOWER-MODEL NO. TT2231R

KEY NO.	PART NO.	DESCRIPTION	KEY NO.	PART NO.	DESCRIPTION
1	634A339	Lever Plunger & Button	32	2290R	Discharge Cutoff P
2	9465M	Roll Pin 3/16 x 1 1/2	33	3544R	Suspension Bracke
3	2876H	Spring			Front L.H.
4	1556P	Washer 13/32 x 7/8 x 14 Go.	33A	3543R	Suspension Bracke
5	634A373	Lift Lever			Front R.H.
5A	1053R	Decal	34	2073R	Wheel Support R.H
6	2895H	Handle Grip	35		Model Plate
7	2804H	Bushing	36	1554P	Washer 13/32 x 7/8
8	634A358	Pitch Adjustment Weldment	37	7375H	Bushing
9	9426H	Bracket	38	9526H	Gauge Wheel
10	515P	Hex Nut 3/8-24	39	634A330	Blade Shield Asser
11	9420H	Leveling Pin	40	634A480	Gauge Wheel Supp
12	2511P	Cotter Pin 3/16 x 1			Assy., L.H.
13	634A348	Suspension Arm Weldment	41	1004P	Lockwasher 3/8
14	634A347	Suspension Arm Weldment	42	501P	Hex Nut 3/8-16
		Inner R.H.	43	1003P	Lockwasher 5/16
15	634A424	Lift Shift Weldment	44	504P	Hex Nut 5/16-18
16	929R	Lift Link	45	1555P	Washer 13/32 x 7/8
17	9412H	Hanger Link	46	508P	Hex Jam Nut 3/8-1
18	2505P	Cotter Pin 1/8 x 3/4	47	1537P	Washer 11/32 x 11/1
19	9535H	Spring	A	21P	Sq. Neck Carriage I
21	9505H	Elastic Stop Nut 3/8-24	B	3023P	Hex Bolt 3/8-16 x
22	634A346	Suspension Arm Weldment	C	20P	Sq. Neck Carriage I
		Inner L.H.	D	51P	Carriage Bolt Short
23	1500P	Washer 17/32 x 1-1/16 x			3/8-16 x 1
		13 Go.	E	3025P	Hex Bolt 3/8-16 x
24	3720R	Spring	F	16P	Sq. Neck Carriage I
25	9416H	Plunger			Shoulder 5/16-18-3/4
26	9504H	Roll Pin 3/16 x 2	G	3027P	Hex Bolt 3/8-16 x
27	634A334	Belt Guide Assembly	H	17P	Carriage Bolt 5/16
28	634A477	Idler Assembly	J	16P	Carriage Bolt 5/16
29	9503H	Spring	K	3199P	Hex Bolt 3/8-24 x
30	2083R	Flat Idler	L	17P	Carriage Bolt 5/16
31	4969H	Bushing			Owners Manual
					4188R

repair parts SICKLE BAR MOWER --- MODEL NUMBER TT2631RO

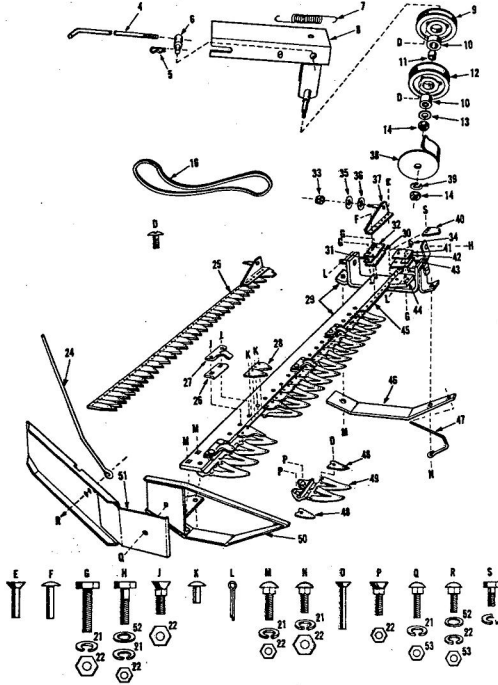


SICKLE BAR MOWER --- MODEL NUMBER TT2631RO

KEY NO.	PART NO.	DESCRIPTION	KEY NO.	PART NO.	DESCRIPTION
1	5209H	Cushion Washer	36	1522P	*Washer, 5/8 x 1 1/4 x 14 Go
2	5239H	Frame Hanger Shaft	37	502P	*Hex Nut, 7/16-14
3	5304H	Elastic Stop Nut 5/8-18	38	1503P	*Washer, 21/32 x 1-5/16 x
4	576H	Dust Cap			Cap, Plisted
5	1503P	Washer, 21/32 x 1-5/16 x 13 Go.	39	1008P	*Lockwasher 5/8 Cod. Pl
6	1554H	Tinman Cap	40	506P	*Hex Nut, 5/8-11 Cod. Pl
7	6625M	Grease Fitting	41	1004P	*Lockwasher 3/8
7A	634A287	Model Number Plate	42	500P	*Hex Nut, 3/8-16
8	666A286	Frame Weldment with Bearing Cups	43	1003P	*Lockwasher 5/16
9	2623M	Frame Stop Front Weldment	44	504P	*Hex Nut, 5/16-18
10	1517P	Washer, Flat 7/16 x 1 x 14 Go.	45	1537P	*Washer, 11/32 x 11/16 x
11	5277H	Bushing			Cap, Plisted
12	5292H	Flywheel Guard	46	1517P	*Washer, 7/16 x 1 x 14 G
13	5549H	Flywheel Guard Bracket	47	1000P	*Lockwasher, 3/8 Cod. Pl
14	654A287	Belt Guide Weldment-Flywheel	48	502P	*Nut, Hex 3/13 Cod. Plist
15	357H	Hanger Nut	49	1501H	*Washer, 9/16 x 1-3/8 x 1
16	5305H	Thrust Washer	50	2505P	*Cotter Pin, 1/8 x 3/4
17	5305H	Thrust Washer	51	8238H	Split Spacer
18	5305H	Thrust Washer	52	347H	Hexlock Nut
19	5310H	Grease Retainer Washer	53	3154P	*Machine Screw, Slotted
20	1553H	Tinman Cup			Hex, 16-20 UNC x 2 1/2 Plo
21	9248H	Spherical Rod End	A	4940M	Retainer Spring
21A	9248H	Fitment Tube	B	1572H	Roll Pin
22	634A301	Flywheel Assembly	C	3040P	*Bolt, Hex 7/16-14 x 3
23	278H	Grease Fitting	D	3049P	*Bolt, Hex 5/8-11 x 2 Cas
24	929M	Nut, Hex Jam ASF 5/8-18	E	3025P	*Bolt, Hex 5/8-16 x 1 1/2
25	512P	Transport Stop and Rivet	F	3016P	*Bolt, Hex 5/16-18 x 2 1/2
26	606A290	Bushing	G	3010P	*Bolt, Hex 5/16-18 x 3/4 C
27	6329H	Foot Lever Weldment	H	3011P	*Bolt, Hex 5/16-18 x 1
28	634A265	Clevis	I	3047P	*Bolt, Hex 5/16-18 x 2 1/4
29	5234H	Yoke Weldment	J	3023P	*Bolt, Hex 5/8-16 x 1
30	1513P	Washer, 13/32 x 1 1/2 x 16 Go.	K	2505P	*Cotter Pin, 1/8 x 3/4
31	1542U	Spring	N	3046P	*Bolt, Hex 5/16-18 x 2 1/2
32	5329H	Cotter Bar Latch	O	5597H	Drilled Rivet
33	606A278	Lift Link	P	2511P	*Cotter Pin 3/16 x 1
34	5294H	Pull Rod	R	2512P	*Cotter Pin 3/16 x 1 1/2
35	5277H	Bushing			Instruction and Parts Bo
35A	3224H	Bushing			
35B	3029P	*Bolt, Hex 3/8-16 UNC x 2 1/2 Plisted			

*Standard Hardware Item--- Purchase Locally.

SICKLE BAR MOWER --- MODEL NUMBER TT2631R0



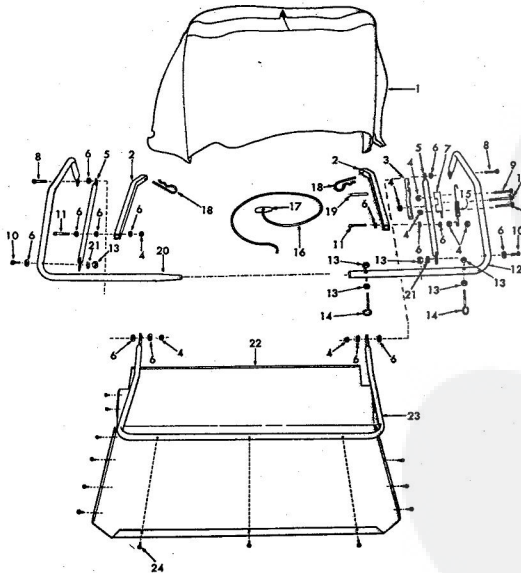
SICKLE BAR MOWER --- MODEL NUMBER TT2631R0

KEY NO.	PART NO.	DESCRIPTION	KEY NO.	PART NO.	DESCRIPTION
4	6499H	Bolt Tightener Link	43	5247H	Wear Plate-Front
5	4940M	Resistor Spring	44	5254H	Front Wear Plate Base
6	6501H	Adjusting Pin	45	5248H	Knife Back (Only)
7	4301H	Spring	46	5250H	Inner Runner
8	606A294A	Idle Shaft Assembly	47	5233H	Inner Runner Divider
9	606A296	Idle and Bearing-Inner	48	575X32	Guard Plate (Box of 25)
10	677H	Bearing	49	373PA23	Double Guard Assembly
11	5386H	Bushing	50	606A273	Outer Runner Weldment
12	606A295	Idle and Bearing-Outer	51	606A292	Swathboard Assembly
13	1544P	*Washer, Flat 1/2x3/2x1x12 Gs.	52	1517P	*Washer, Flat 7/16 x 1 x 14 Gs.
14	516P	*Nut, Hex 7/16-20 UNF	53	5294H	Nut, Gripco
16	5258H	*V-belt (Engine to Flywheel)	54	1002P	*Lockwasher, 1/4
21	1003P	*Lockwasher, 3/8 Cord, Plated	D	5161P	*Mach. Screw, Truss Hd. 1/2-20 x 7/8
22	531P	*Nut, Hex 3/8-16 Cord, Plated	E	5460H	Rivet, Flat Head 7/32 x 13/16 Bag of 1
24	5232H	*Serrawick	F	6801H	Rivet, Round Head 5/32 x 13/16 Bag of 1
25	634A200	Knife Assembly	G	3232P	*Bolt, Sq. Neck 3/8-16 x 1 1/2
26	4569H	Wearing Plate	H	21P	*Bolt, Hex 3/8-16 x 1 1/2
27	4572H	Knife Clip	J	44P	*Bolt, Sq. Neck 3/8-16 x 1 1/2
28	375X31	Knife Sections Only (Box of 25)	K	6800M	Rivet, Round Head 5/32 x 9/16 Bag of 35
29	606A260	Corner Bar and Mounting Bracket	L	2515P	*Cotter Pin, 1/4 x 1 1/4
30	5311H	Wear Plate-Rear	M	20P	*Bolt, Sq. Neck Carriage 3/8-16 x 1
31	5259H	Knife Head Spacer-Rear	N	22P	*Bolt, Sq. Neck Carriage 3/8-16 x 1 1/2
32	5290H	Rear Guide	O	6802M	Rivet, Cls. Hd. 1-1/8 Bag of 20
33	337H	Nut, Haglock	P	20P	*Bolt, Sq. Neck Carriage 3/8-16 x 1
34	6842H	Grease Fitting	Q	20P	*Bolt, Sq. Neck Carriage 3/8-16 x 1
35	1544P	Washer 1/2x3/2x1x12 Gs.	R	20P	*Bolt, Sq. Neck Carriage 3/8-16 x 1
36	1549P	Washer 21/32x1x12 Gs.	S	3114P	*Bolt, Sq. Neck Carriage 3/8-16 x 1
37	634A299A	Knife Head and Pin			*Cot. Plated
38	606A232	Belt Guide Walman-Front			*Bolt, Hex 1/4-28 x 1/2
39	1001P	*Lockwasher, 7/16			
40	5312H	Knife Head Plate			
41	5289H	Front Guide			
42	5284E	Knife Head Spacer-Front			

*Standard Hardware Item-Purchase Locally

repair parts

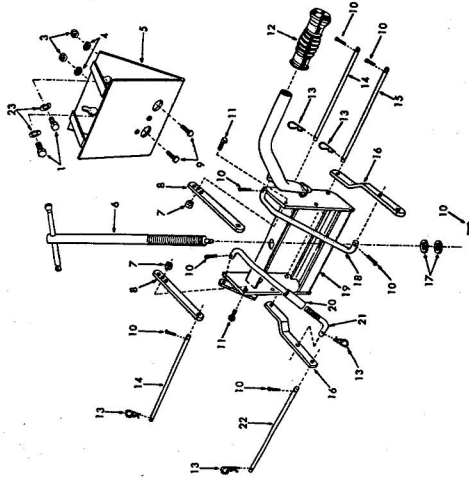
LAWN SWEEPER 37" MODEL NO. TT3042R0



LAWN SWEEPER 37" MODEL NO. TT3042R0

KEY NO.	PART NO.	DESCRIPTION
1	5521R	Catcher Bag (Basket)
2	5322R	Support Tube
3	5323R	Latch Bar
4	1605H	Gripco Nut 1/2-20
5	5330R	Front Tube
6	1505P	Washer 9/32x1/2x14 Gs.
7	5334R	Latch Bar Stop
8	3005P	Hex Bolt 1/2-20 x 1
9	3005P	Hex Bolt 1/2-20 x 1 1/4
10	3117P	Hex Bolt 1/2-20 x 1 1/2
11	3255P	Hex Bolt 1/2-20 x 2 1/2
12	5531R	Bag Tube-Upper-R.H.
13	503P	Hex Nut 1/2-20
14	5337R	Eyebolt
15	5338R	Spring
16	5336R	Dump Rope
17	2377R	Dump Rope Handle
18	4940M	Resistor Spring
19	924E	Roll Pin 3/16 x 2
20	2245E	Bag Tube-Lower-L.H.
21	1602P	Lockwasher 1/4
22	2265E	Catcher Bottom
23	2341R	Bag Tube-Lower
24	5504P	Slotted Hex Hd. Self Top Screw Type A/B Hex. 10-22 x 1/2
---	5227R	Owners Manual

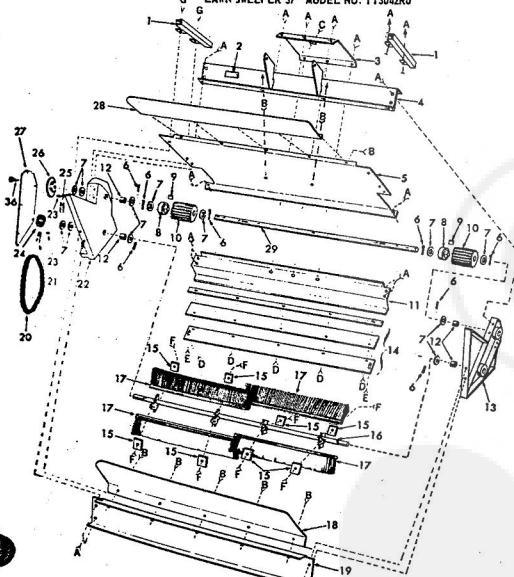
LAWN SWEEPER 37" MODEL NO. TT3042R0



LAWN SWEEPER 37" MODEL NO. TT3042R0

KEY NO.	PART NO.	DESCRIPTION
1	304P	Hex Bolt 3/8-13x1 1/4
3	501P	Hex Nut 3/8-16
4	1004P	Lockwasher 3/8
5	661A19	Lift Guide Weldment
6	661A20	Lift Screw and Handle
7	1653P	Grasper Nut 5/16-18
8	2331R	Lift Link-Upper
9	3023P	Hex Bolt 3/8-16x1 1/4
10	2566P	Corner Pin 1/8x1
11	3011P	Hex Bolt 5/16-18x1
12	4059H	Handle Grip
13	4029H	Rainier Spring
14	2332R	Attachment Pin Upper
15	2331R	Lower Side Pin
16	2332R	Lift Link-Lower
17	1513P	Washer 3/32x13/16x16 Ga.
18	2335R	Lift Rod-4 1/2
19	661A18	Lift Weldment
20	661A15	Lift Rod and Turnbuckle
21	4316R	Lift Rod-L.H. Lower
22	2335R	Attachment Pin Lower
23	1000P	Lockwasher 1/2

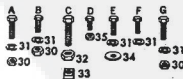
LAWN SWEEPER 37" MODEL NO. TT3042R0



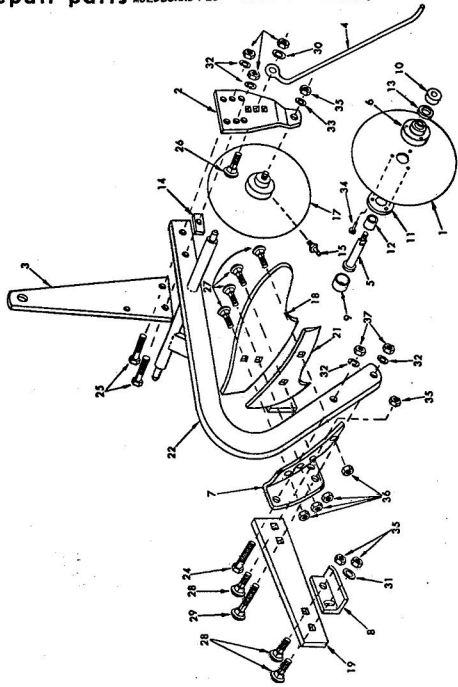
LAWN SWEEPER 37" MODEL NO. TT3042R0

KEY NO.	PART NO.	DESCRIPTION
1	661A12	Support Tube Slide Weldment
2	2367R	Model Plate
3	661A14	Reinforcement Plate
4	2361R	Upper Lift Weldment
5	2361R	Main Panel
6	2527P	Corner Pin 1/8x1 1/4
7	1522P	Washer 6/16x1 1/2x16 Ga.
8	4009R	Ratchet Cog
9	4007R	Ratchet Link
10	4008R	Drive Roller
11	661A15	Lower Lift Weldment
12	4156R	Bearing
13	661A17	Right End Casting and Bearings (Inc. Key No. 12)
14	661A11	Edge Strip Assembly (Inc. Key Letter E)
15	2353R	Brush Clamp Strap
16	661A21	Brush Shaft Weldment
17	4432R	Brush
18	2363R	Sweeper Throat Extension
19	2367R	Rear Channel
20	2362R	Drive Chain
21	4333P	Set Screw Sq. Hd. C.P. 1/2-20 x 3/8
22	661A16	Left Hand Castings and Bearings (Inc. Key No. 12)
23	7833M	Woodruff Key 1/8x 1/2
24	2278R	Sprocket
25	4334P	Set Screw Sq. Hd. C.P. 1/2-20 x 5/8
26	2379R	Sprocket
27	2362R	Coating End Plate
28	2364R	Discharge Guide Panel
29	4006R	Drive Shaft
30	502P	Hex Nut 1/2
31	1002P	Lockwasher 1/2
32	501P	Hex Nut 3/8-16
33	2388R	Speed Grip Nut Retainer
34	1505P	Washer 9/32x 1/2 x 14 Ga.
35	4632H	Locknut No. 10-24
36	5553P	Phillips Hd. Thr. Cutting Screw Type T No. 8-32 x 5/16
A	3003P	Hex Bolt 1/2-20x 1/2
B	3114P	Hex Bolt 3/20x 1/2
C	2359P	Hex Bolt 3/8-16x 1.3 Full Thread
D	3218P	Hex Hd. Mech. Screw No. 10-24 x 1/2
E	3114P	Hex Bolt 1/2-20 x 1/2
F	3522P	Hex Hd. Thr. Cutting Screw 1/2-20 x 5/8
G	3004P	Hex Bolt 1/2-20x1

THE LETTER ABOVE THE HARDWARE INDICATES THAT ITEM AND ANY BELOW IT ARE USED IN THE LOCATION IN THE MAIN DRAWING WHERE THE IDENTICAL LETTER APPEARS. EACH ITEM OF HARDWARE MUST BE ORDERED INDIVIDUALLY.



repair parts MOLDBOARD PLOW -- MODEL NUMBER TT4031RO



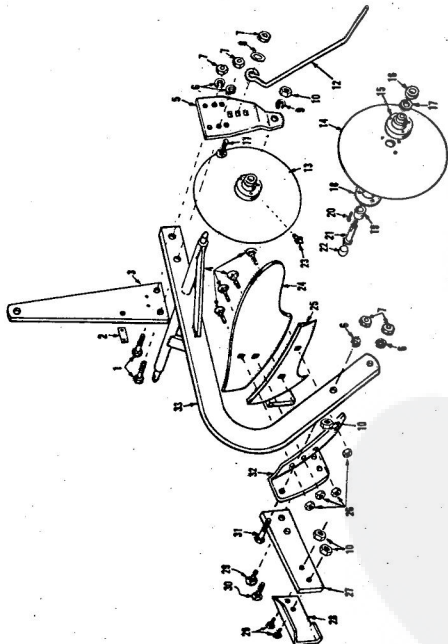
MOLDBOARD PLOW -- MODEL NUMBER TT4031RO

Do not use Illustration Numbers when ordering Repair Parts, always use Part Numbers.

PARTS LIST

KEY NO.	PART NO.	DESCRIPTION
1	6326E	Coiler Blade
2	13184T2	Model Number Plate
3	4229M	Weld Bolt
4	4229M	Weld Bolt
5	4229M	Weld Bolt
6	4358M	Coiler Hub
7	4358M	Coiler Hub
8	6341M	Hub Cap
9	6341M	Hub Cap
10	4343M	Coiler Washer
11	4343M	Coiler Washer
12	4343M	Coiler Washer
13	4343M	Coiler Washer
14	4488M	Pin
15	4488M	Pin
16	4488M	Pin
17	2527A/223	Coiler Hub and Bearing
18	2527A/224	Coiler Hub and Bearing
19	2527A/225	Coiler Hub and Bearing
20	2527A/227	Coiler Hub and Bearing
21	666A335A	Flange
22	666A335A	Flange
23	666A335A	Flange
24	666A335A	Flange
25	3001P	Bolt, Hex 3/8" x 1 1/2" - 13 UNC
26	3001P	Bolt, Hex 3/8" x 1 1/2" - 13 UNC
27	3001P	Bolt, Hex 3/8" x 1 1/2" - 13 UNC
28	3001P	Bolt, Hex 3/8" x 1 1/2" - 13 UNC
29	3001P	Bolt, Hex 3/8" x 1 1/2" - 13 UNC
30	3001P	Bolt, Hex 3/8" x 1 1/2" - 13 UNC
31	3001P	Bolt, Hex 3/8" x 1 1/2" - 13 UNC
32	3001P	Bolt, Hex 3/8" x 1 1/2" - 13 UNC
33	3001P	Bolt, Hex 3/8" x 1 1/2" - 13 UNC
34	3001P	Bolt, Hex 3/8" x 1 1/2" - 13 UNC
35	3001P	Bolt, Hex 3/8" x 1 1/2" - 13 UNC
36	3001P	Bolt, Hex 3/8" x 1 1/2" - 13 UNC
37	3001P	Bolt, Hex 3/8" x 1 1/2" - 13 UNC

repair parts ROPER 10 INCH MOLDBOARD PLOW -- MODEL NUMBER TT4131RO

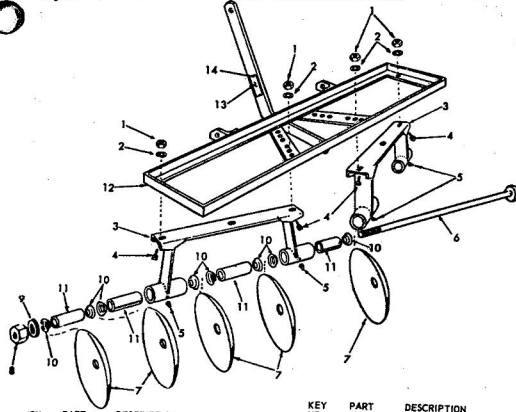


10 INCH MOLDBOARD PLOW -- MODEL NUMBER TT4131RO

Do not use Key Numbers when ordering Repair Parts, always use Part Numbers.

KEY NO.	PART NO.	DESCRIPTION
1	3001P	Bolt, Hex 3/8" - 13 UNC x 1 1/2"
2	13184T2	Model Number Plate
3	4229M	Weld Bolt
4	4229M	Weld Bolt
5	4229M	Weld Bolt
6	4358M	Coiler Hub
7	4358M	Coiler Hub
8	6341M	Hub Cap
9	6341M	Hub Cap
10	4343M	Coiler Washer
11	4343M	Coiler Washer
12	4343M	Coiler Washer
13	4343M	Coiler Washer
14	4343M	Coiler Washer
15	4343M	Coiler Washer
16	4343M	Coiler Washer
17	4343M	Coiler Washer
18	4343M	Coiler Washer
19	4343M	Coiler Washer
20	2000P	Coiler Washer
21	4343M	Coiler Washer
22	4343M	Coiler Washer
23	4343M	Coiler Washer
24	4343M	Coiler Washer
25	4343M	Coiler Washer
26	4343M	Coiler Washer
27	4343M	Coiler Washer
28	4343M	Coiler Washer
29	4343M	Coiler Washer
30	4343M	Coiler Washer
31	4343M	Coiler Washer
32	4343M	Coiler Washer
33	4343M	Coiler Washer
34	4343M	Coiler Washer
35	4343M	Coiler Washer
36	4343M	Coiler Washer
37	4343M	Coiler Washer

repair parts 40" DISC HARROW--MODEL NUMBER TT4241RO



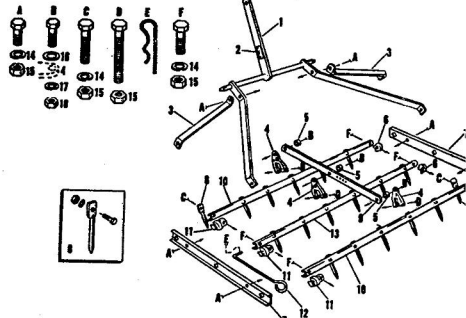
KEY NO.	PART NO.	DESCRIPTION	KEY NO.	PART NO.	DESCRIPTION
1	500P	Hex Nut 7/16 - 14 pld.	7	6844A	Disc Blade
2	1001P	Lockwasher, Heavy	8	1327H	Lock Nut
3	605A44	Spring 7/16"	9	6817A	Outer Gang Bolt Washer
4	303AP	Standard Support and Bearings	10	6833M	Spacer Cup
5	6855H	Bolt, Hex 7/16 x 1" - 14 UNC	11	6829M	Spacer
6	634A677	Grease Fitting Gang Bolt Washer	12	605A43	Frame
			13	Model Number Plate	
			14	2224A	Drive Stud (For Model Number Plate)
			---	5168R	Owners Manual

DRAG HARROW -- MODEL NUMBER TT431RO

WHEN ORDERING REPAIR PARTS, ALWAYS GIVE THE FOLLOWING INFORMATION AS SHOWN LIST:

1. The PART NUMBER.
2. The PART NAME.
3. The MODEL NUMBER -- TT431RO
4. The NAME OF ITEM -- DRAG HARROW.

Do not use the Key Number when ordering repair parts, always use the Part Number. The Model No. is found on a plate attached to the Hitch Bar of the Frame, Key Number 1, below.



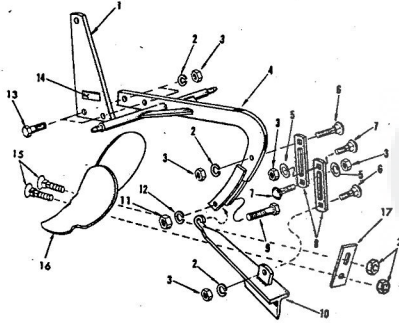
PARTS LIST

Key No.	Part No.	Description	Key No.	Part No.	Description
1	606A7	Frame	14	1001P	*Washer, Lock 7/16
2	---	Model Number Plate	15	500P	*Nut, Hex 7/16 ASRU-14 NC
3	1328H	Front Drawbar Group	16	1513P	Washer, Flat 13/32 x 13/16 x 16 Ga.
4	8969H	Outer Gang Bolt Washer	17	1004P	*Washer, Lock 3/8
5	4338M	Bushing	18	301P	*Nut, Hex 3/8 ASRU-16 NC
6	4332M	Tooth Bar Ferrule - R.H.	A	303AP	Bolt, Hex Hd. 7/16 x 1 1/4 ASRU-14 NC
7	1387H	Side Roll	B	3025P	Bolt, Hex Hd. 3/8 x 1 1/4 ASRU-16 NC
8	574PA24	Tooth Bolt, Nut and Lock Washer	C	3155P	Bolt, Hex Hd. 7/16 x 2 1/4 ASRU-14 NC
9	1385H	Drag Link	D	3040P	Bolt, Hex Hd. 7/16 x 3 ASRU-14 NC
10	8967H	Adjusting Link	E	4939M	Retainer Spring
11	4333M	Tooth Bar Ferrule - L.H.	F	3992R	Instruction and Parts Book
12	1383H	Adjusting Link	F	3035P	Bolt, Hex Hd. 7/16 x 1 1/4 ASRU-14 NC
13	8968H	Tooth Bar Center			

*Teeth not included
*Standard Hardware Item - may be purchased locally.

repair parts

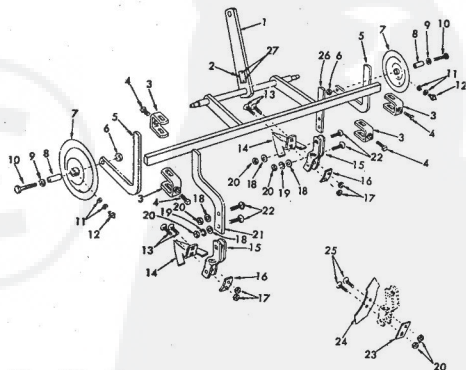
SWEEP-HOLDER WITH MIDDLEBUSTER MODEL NO. TT4431RO



KEY NO.	PART NO.	DESCRIPTION	KEY NO.	PART NO.	DESCRIPTION
1	1328H	Upper Hitch Bar	10	575PA271	Heel Weldment
2	1001P	Lockwasher 7/16	11	507P	Nut, Hex 5/8-13 UNC
3	606A44	Frame	12	1000P	Lockwasher 5/8
4	1544P	Washer, Flat 15/32 x 15/16 x 16 Ga.	13	3035P	Bolt, Finished Hex Hd. 7/16-14 x 1 1/2 UNC
5	24P	Bolt, Sq. Neck Carriage 7/16-14 x 1 1/2 UNC	14	33P	Model Number Plate
6	23P	Bolt, Sq. Neck Carriage 7/16-14 x 1 UNC	15	8154M	Plow Bolt 7/16-14 x 2 1/2
7	7655H	Heel Bracket	16	8147M	16" Middlebuster
8	3184P	Bolt, Finished Hex Hd. 5/8-13 x 2 1/4 UNC	17	---	Washer Plate
			---	---	Instruction and Parts Book

repair parts

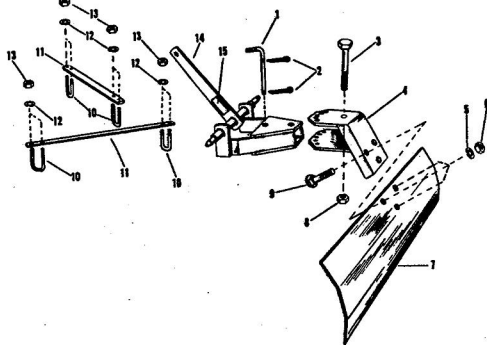
CULTIVATOR WITH SWEEPS--MODEL NUMBER TT4631RO
CULTIVATOR WITH SHOVELS--MODEL NUMBER TT4831RO



KEY NO.	PART NO.	DESCRIPTION	KEY NO.	PART NO.	DESCRIPTION
1	606A6	Frame	15	575PA272	Shank Side Assembly
2	---	Model Number Plate	16	361H	Washer Plate
			17	501P	Hex Nut 3/8-16
3	606A121	Shank Clamp with Set Screw (Includes Key No. 4)	18	1325P	Washer 5/8 x 1 1/4 x 14 G
4	4321P	Set Screw, Sq. Hd. Oval Point 5/20 x 1	19	1001P	Lock Washer 7/16
5	1328H	Wheel Shank	20	500P	Hex Nut 7/16-14
6	507P	Hex Nut 5/8-13	21	1334H	Shank, Offset 29P
7	575PA35	Gauge Wheel	22	---	Sq. Neck Carriage Bolt 7/16-14 x 1 1/2 Short
8	1327H	Washer Bearing	23	8149M	Washer Plate
9	1500P	Washer 17/32 x 1-1/16 x 12 Ga.	24	8153M	Double Point Shovel
10	3048P	Hex Bolt 5/8-13 x 3/8	25	33P	Sq. Neck Plow Bolt 7/16-14 x 2 1/2
11	1099H	Washer, Flat	26	1332H	Shank, Straight
12	6855M	Grease Fitting	27	2224M	Drive Stud (For Model Number Plate)
13	31P	Sq. Neck Plow Bolt 3/8-16 x 2 1/2	---	3949R	Owners Manual
14	365H	Sweep			

LEVELER BLADE--MODEL NUMBER TT4931R0

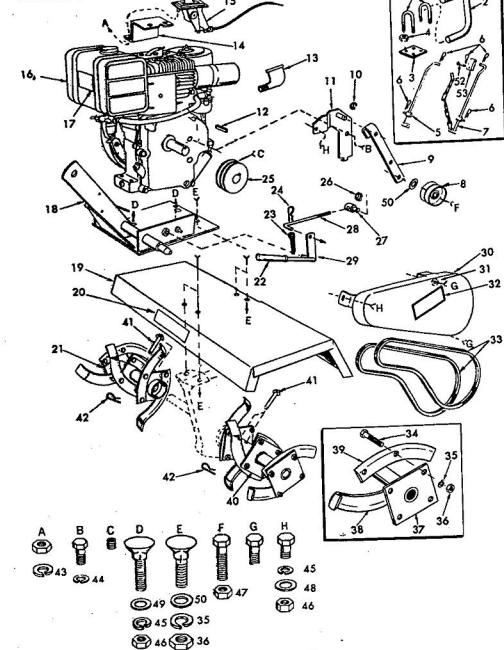
repair parts



KEY NO.	PART NO.	DESCRIPTION	KEY NO.	PART NO.	DESCRIPTION
1	541BH	Quadrant Pin	9	27P	*Belt, 5c. Neck Carriage
2	2565P	*Center Pin 1/8 x 1	10	8076R	3/8-13 UNC x 2 1/2
3	3167P	*Bolt, Hex Finished 5/8-11 UNC, # 4	11	5423H	U-Belt
4	606A300	Quadrant Plate Upper and Lower	12	1004P	Hitch Brace
5	1000P	*Washer, Lock 3/8	13	501P	*Washer, Lock 3/8
6	502P	*Nut, Hex 3/8-13 UNC	14	634AS	*Nut, Hex ASF 3/8-16 UNC
7	5428H	Lock Nut	15	3929R	Frame Weldment
8	4764H				Model Number Plate
					Owners Manual
					*Standard Hardware Item--may be purchased locally

ROPER ROTO-TILLER ATTACHMENT--MODEL NO. TT5031R1

ENGINE AND TINES



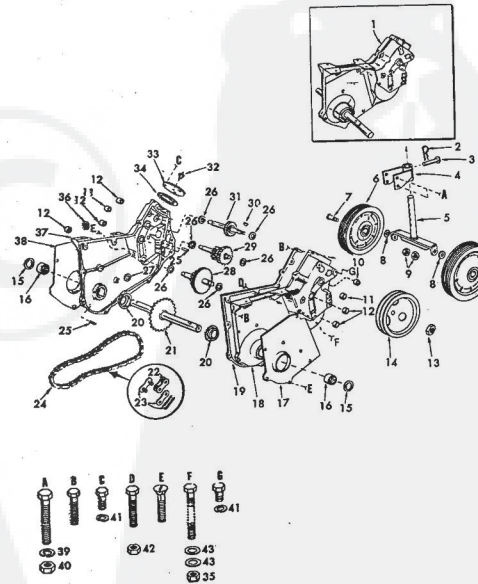
ROPER ROTO-TILLER ATTACHMENT--MODEL NO. TT5031R1

ENGINE AND TINES

KEY NO.	PART NO.	DESCRIPTION	KEY NO.	PART NO.	DESCRIPTION
1	6678H	U Bolt	35	1004P	Lockwasher 3/8
2	3457R	Lift Handle Extension	36	501P	Hex Nut 3/8-16
3	6665P	U Bolt Plate	37	634A55B	Time Shaft-Outer & Pin
4	545P	Gripco Crown Locknut 3/8-16	38	6712H	Time L.H.
5	634A702	L.H. Link & Stop L.H.	39	6713H	Time R.H.
6	4929H	Retainer Spring	40	634A556	Time Plate & Hub L.H. (Less Tines)
7	634A707	L.H. Link and Spine-R.H.	41	4929H	Drilled Pin Hd. Rivet 3/8 x 1 1/2
8	3475R	Idler Pulley	42	3146R	Retainer Spring
9	9401H	Idler Arm	43	1002P	Lockwasher 1/2
10	5010P	E-Ring	44	1000P	Lockwasher 5/16
11	624A38	Idler Arm Support & Pivot	45	504P	Hex Nut 3/16-18
12	4914H	Square Key 3/8 sq.	46	508P	Hex Jam Nut 3/8-16 Co.
13	4012P	Strut Elbow-Shd. 90°	47	1511P	Washer 3/8 x 7/8 x 14 Co.
14	3468R	Throttle Control Bracket	48	1554P	Washer 13/32 x 7/8 x 14 Co.
15	3473R	Throttle Control	49	1527P	Washer 7/16 x 1 x 14 Co.
16	190422	Engine 8 H.P. Briggs and Stratton Type No. 07780-01	50	6991A	Drilled R.H. Rivet
17	---	Scotchcol	51	6881R	Clevis
18	634A561	Hitch Plate Weldment	52	303P	Hex Nut 5/20
19	3427R	Time Shield	53	1234P	Hex Bolt 5/20 x 3/4
20	634A557	Time Plate & Hub R.H. (Less Tines)	54	4531P	Hex Socket Hdless. Set Screw 5/16-18-3/8
21	4929H	Retainer Spring	55	56P	Plow Bolt 5/16-18 x 2
22	2201P	Handle Grip	56	44P	Plow Bolt 3/8-16 x 1 1/2
23	4497H	Retainer Spring	57	3028P	Hex Bolt w/ext. Tooth
24	2471R	Engine Sleeve	58	6024P	Lockwasher 5/16-18 1/2
25	6683H	E-Ring	59	3010P	Hex Bolt 5/16-18 x 3/4
26	6650H	Adjusting Pin	60	6802R	Owners Manual
27	6652H	Belt Retainer Link			
28	634A60	Lever and Arm			
29	634A560	Belt Guard & Brackets			
30	1556P	Washer 13/32 x 7/8 x 14 Co.			
31	---	Scotchcol			
32	634A563	Set of 2 Matched V-Belts			
33	3091P	Hex Bolt 3/8-16 x 1 H.L. Grade 5			
34					

ROPER ROTO-TILLER ATTACHMENT--MODEL NO. TT5031R1

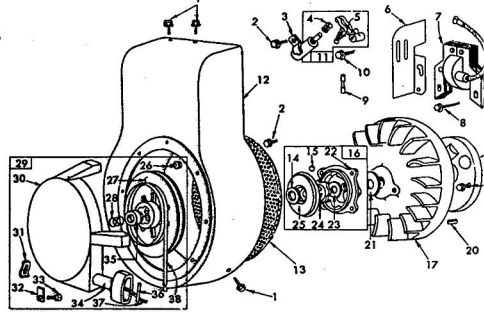
TRANSMISSION AND GAUGE WHEELS



ROPER ROTO-TILLER ATTACHMENT-MODEL NO. TT5031R1
TRANSMISSION AND GAUGE WHEELS

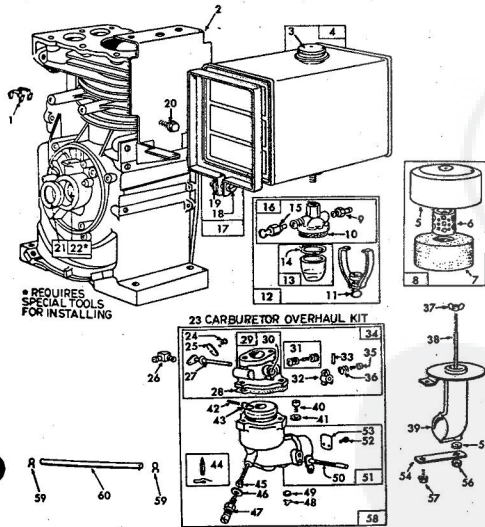
KEY NO.	PART NO.	DESCRIPTION	KEY NO.	PART NO.	DESCRIPTION
1	634A552	Transmission	29	634A58	1st Reduction Shaft and Gears
2	4799A	Retainer Spring	30	9820M1	Woodruff Key 3/16 x 5/8
3	4799H	Drilled Pan Head Rivet 3/8 x 3/8	31	634A57	Input Shaft and Pinion
4	634A61	Gauge Wheel Sleeve and Brackets	32	5859H	Relief Valve
5	634A559	Gauge Wheel Adjusting Shaft and Brackets	33	6679H	Gear Shift Cover
6	3148R	Wheel	34	4913H	Gasket
7	4895H	Shoulder Bolt	35	1485H	Lock Nut 5/16-18
8	1557P	Washer 12/22 x 13/16 x 11 Ga.	36	4023P	Pipe Plug 1/4 N.P.T.
9	514P	Lock Nut	37	624A57	Gear Case and Bearings
10	5136R	Needle Bearing	38	4878H1	Gear Case Shield R.H.
11	6677H	Needle Bearing Shell	39	1004P	Lockwasher 3/8
12	4895H	Needle Bearing	40	591P	Hex Nut 3/8-16
13	5924H	Hex Nut 3/8-20	41	1003P	Lockwasher 5/16
14	3472R	Input Shave	42	504P	Hex Nut 5/16-18
15	4910H	Oil Seal	43	7850H	Spacer
16	4895H	Needle Bearing	A	3030P	Hex Bolt 3/8-16 x 2 1/2
17	4879H1	Gear Case Shield L.H.	B	5566P	Hex Hd. Roll Lock Topping Screw 3/16-18x 3/4
18	624A56	Gear Case and Bearings L.H. Heli	C	3010P	Hex Bolt 5/16-18 x 2
19	2601R	Clutch	D	3012P	Flat Hd. Slotted Roll Lock Topping Screw 5/16-18x 1 1/2
20	4879H	Thrust Cap	E	5885P	Hex Bolt 5/16-18 x 6
21	634A555	Time Shift and Sprocket	F	3008P	Hex Bolt 5/16-18 x 1/2
22	4950H	Roller Link	G		
23	4749H	Connecting Link			
24	2602R	Roller Chain			
25	9880A	Dowel Pin			
26	1370H	Thrust Bearing Race			
27	4912H	Gasket			
28	634A59	2nd Reduction Shaft and Gears			

BRIGGS AND STRATTON ENGINE MODEL NO. 190402 - TYPE NO. 0780-01
STARTER AND MAGNETO FLYWHEEL



KEY NO.	PART NO.	DESCRIPTION	KEY NO.	PART NO.	DESCRIPTION
1	93158	Screw-Sem.	19	22117	Cover-Breaker Point
2	93042	Screw-Sem.	20	41760	Key-Flywheel
3	22047	Clamp-Condenser	21	21085	Washer-Spring
4	260374	Spring-Connector	22	21188	Housing-Rewind Start
5	26018	Spring-Breaker Arm	23	66718	Clutch
6	221560	Guide-Air	24	298799	Washer-Strater Clutch
7	298968	Amotura Assembly	25	298799	Thrust
8	93581	Screw-Amotura Mfg. Sem	26	221653	Ratchet-Rewind Starter
9	65704	Plunger-Breaker Point	27	221653	Washer-Retaine
10	93381	Screw-Breaker Arm Mounting Sem	28	93067	Screw-Rewind Starter
11	294628	Breaker points and condenser set. Note: 299061 ignition kit includes 294628 point set 65704 plunger and 61760 key-flywheel	29	295871	Housing Mfg. Sem.
12	299853	Housing-Blower	30	295871	Pulley-Rewind Start
13	221796	Screw-Rewind Starter	31	260414	Spring-Ratchet
14	66238	Washer-Ratchet Sealing	32	295001	Starter Assy.-Rewind
15	63770	Ball-Clutch	33	295272	Housing-Rewind Start
16	298798	Clutch Assy.-Rewind Starter	34	221014	Anchor-Spring
17	298740	Flywheel-Magneto	35	68846	Bumper-Pulley
18	93014	Screw-Sem	36	93254	Screw-Pulley Bumper
			37	66728	Mounting
			38	230543	Grip-Strater Rope
			39	230208	Adapter-Ratchet Spring
			40	66564	Pin-Strater Grip
			41	29303	Rope-Rewind Starter
			42	29303	Spring-Rewind Starter

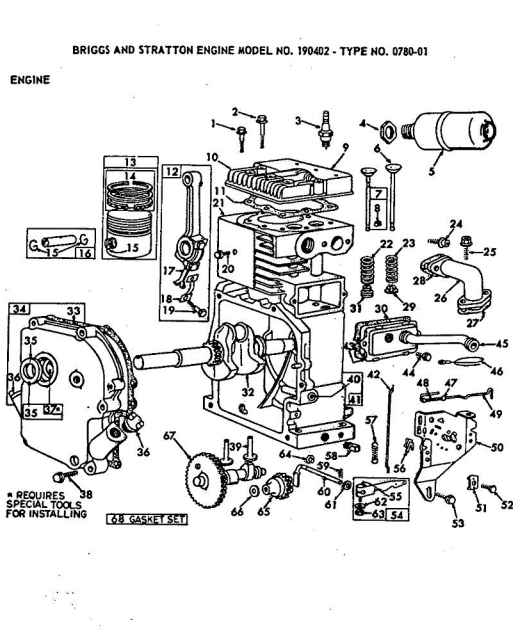
BRIGGS AND STRATTON ENGINE MODEL NO. 190402 - TYPE NO. 0780-01
ENGINE CARBURETOR AND AIR CLEANER



BRIGGS AND STRATTON ENGINE MODEL NO. 190402 - TYPE NO. 0780-01
ENGINE CARBURETOR AND AIR CLEANER

KEY NO.	PART NO.	DESCRIPTION	KEY NO.	PART NO.	DESCRIPTION
1	221907	Clip-Wire	31	† 292681	Valve Assembly-Carburetor
2	221935	Bracket-Fuel Tank	32	61967	Stop-Throttle
3	49221	Cup-Fuel Tank	33	93043	Pin-Throttle Stop
4	290816	Tank Assy.-Fuel	34	390404	Body Assembly-Upper Carburetor
5	221468	Cover-Air Cleaner	35	91920	Screw-Mech. Fil. Hd. Rb-32 x 5/8
6	280001	Cup-Air Cleaner	36	26157	Spring-Throttle
7	270093	Element-Air Cleaner	37	93453	Nut-Wing
8	390400	Cleaner Assy-Air	38	230768	Stud-Air Cleaner
9	230318	Connector-Fuel Pipe	39	390311	Pipe Assy.-Air Cleaner
10	22547	Screen-Fuel Filter	40	90746	Screw-Mech. Fil. Hd. R10-32 x 3/8
11	98665	Yoke-Fuel Filter	41	92290	Washer-Lock-No. 10 x 1/16 x 3/64
12	295984	Filter Assembly-Fuel	42	† 230896	Pin-Floot Hinge
13	296883	Bowl-Fuel Filter	43	19319	Pin-Carburetor
14	48847	Gasket-Fuel Filter	44	299096	Valve-Fuel Inlet
15	295110	Valve-Fuel Shut-off	45	† 980595	Nozzle-Carburetor
16	296005	Cover Assembly-Fuel	46	† 68667	Gasket-Nozzle
17	91267	Sing Assy.-Fuel Tank	47	† 93525	Valve Assembly-Needle
18	91257	Screw-Mech. Fil. Hd. 1/20 x 1 1/2	48	220521	Retainer-Carburetor
19	90970	Nut-Square 1/20	49	27590	Drain Filter
20	93355	Screw-Sems	50	390669	Filter-Carburetor Drain
21	294606	Stud-Oil	51	390781	Shaft and Lever-choke
22	295962	Bushing-Cylinder	52	93008	Body Assy-Lever Carburetor
		Note: Requires special tools for installation	53	62872	Screw-Throttle and Choke
23	295938	Carburetor Over Haul Kit	54	223150	Valve Mfg. Sem
24	93038	Screw-Throttle and Choke	55	62872	Valve-choke
25	62940	Valve Mfg. Sem	56	66648	Strap-Air Cleaner Pipe
26	67218	Connector-Fuel Pipe	57	92158	Gasket-Air Cleaner Stud
27	238606	Shaft and Lever-Throttle	58	390680	Nut-Hex 1/2-28
28	† 27918	Gasket-Carburetor Body	59	390680	Screw-Sem
29	390503	Body-Upper Carburetor	60	299742	Clamp-Fuel Pipe
30	23108	Bushing-Throttle Shaft			

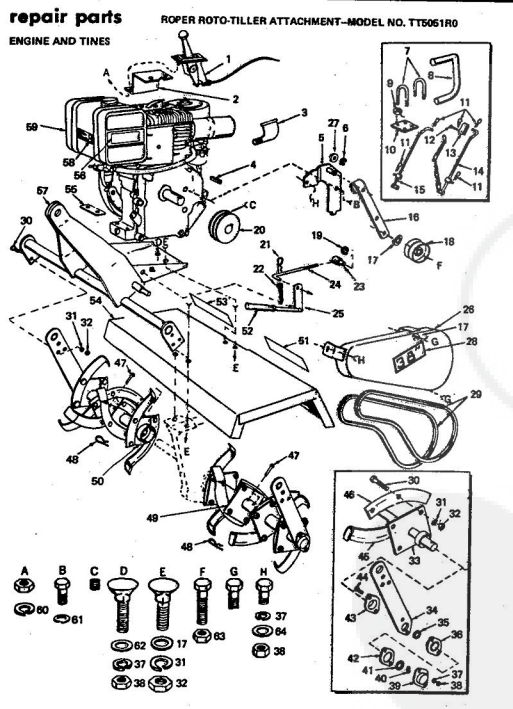
† Included in gasket set part no. 299577
† Included in carburetor overhaul kit part no. 295938



BRIGGS AND STRATTON ENGINE MODEL NO. 190402 - TYPE NO. 0780-01

KEY NO.	PART NO.	DESCRIPTION	KEY NO.	PART NO.	DESCRIPTION
1	93210	Screw-Cylinder Head (2-9/32 long)	22	26828	Spring-Exhaust Val
2	93211	Screw-Cylinder Head (2-9/16 long)	23	65906	Spring-Intake Valve
3	298809	Plug-Spark Note: Spark plug 298809 use ignition cable terminal no.	24	93208	Screw-Intake Elbow Mounting Sem.
4	91242	221796	25	93128	Mounting Sem.
5	390249	Locknut-Muffler	26	211812	Elbow-Intake
6	261055	Valve-Intake	27	270684	Gasket-Intake Elbow
7	390419	Valve-Exhaust	28	27828	Gasket-Intake Elbow
8	93630	Retainer-Exhaust Valve Retenail (2)	29	221596	Retainer-Intake Val
9	221901	Cover-Cylinder Head	30	27883	Gasket-Valve Cover
10	211778	Head-Cylinder	31	27260	Retenail-Exhaust V
11	270430	Gasket-Cylinder Head	32	261077	Crankshaft
12	370401	Rod Assy-Connecting Note: For connecting rod with .020" undersize use main bore order no. 390775	33	27750	Gasket-Crankcase c 1/64" thick
13	390347	Piston-Assembly Std.	34	299167	Gasket-Crankcase c .005" thick
	390348	Piston Assy. .010" O.S.	35	298423	Gasket-Crankcase c .009" thick
	390349	Piston Assy. .020" O.S.	36	44748	Cover Assy-Crank Seal-Gil
	390350	Piston Assy. .030" O.S.	37	205964	Plug-Gil Filler Bushing-Crankcase (Note: Requires spec tools for installation)
		Note: For chrome ring set standard size order no. 299743	38	93585	Screw-Crankcase con mounting sem.
14	299569	Ring Set-Piston-std. Consists of 211637 piston ring comp. top end, 211638 piston ring comp. center end, 211635 piston ring oil std.	39	260933	Washer-Governor Sh
		Consists of 211637 piston ring comp. top end, 211638 piston ring comp. center end, 211635 piston ring oil std.	40	232643	Cylinder-Governor Sh
		Consists of 211637 piston ring comp. top end, 211638 piston ring comp. center end, 211635 piston ring oil std.	41	395399	Link-Governor
		Consists of 211637 piston ring comp. top end, 211638 piston ring comp. center end, 211635 piston ring oil std.	42	268872	Link-Governor
		Consists of 211637 piston ring comp. top end, 211638 piston ring comp. center end, 211635 piston ring oil std.	43	290231	Breather Assembly
		Consists of 211637 piston ring comp. top end, 211638 piston ring comp. center end, 211635 piston ring oil std.	44	93336	Screw-Sem.
		Consists of 211637 piston ring comp. top end, 211638 piston ring comp. center end, 211635 piston ring oil std.	45	67068	Tube-Breather
		Consists of 211637 piston ring comp. top end, 211638 piston ring comp. center end, 211635 piston ring oil std.	46	299500	Wire-Ground
		Consists of 211637 piston ring comp. top end, 211638 piston ring comp. center end, 211635 piston ring oil std.	47	221198	Washer-Check Link
		Consists of 211637 piston ring comp. top end, 211638 piston ring comp. center end, 211635 piston ring oil std.	48	261122	Link-Check
		Consists of 211637 piston ring comp. top end, 211638 piston ring comp. center end, 211635 piston ring oil std.	49	52613	Plate-Governor Contr
		Consists of 211637 piston ring comp. top end, 211638 piston ring comp. center end, 211635 piston ring oil std.	50	211535	Clamp-Casing
		Consists of 211637 piston ring comp. top end, 211638 piston ring comp. center end, 211635 piston ring oil std.	51	93496	Screw-Sem.
		Consists of 211637 piston ring comp. top end, 211638 piston ring comp. center end, 211635 piston ring oil std.	52	93535	Screw-Sem.
		Consists of 211637 piston ring comp. top end, 211638 piston ring comp. center end, 211635 piston ring oil std.	53	299165	Lever Assy-Governor
		Consists of 211637 piston ring comp. top end, 211638 piston ring comp. center end, 211635 piston ring oil std.	54	52613	Bolt-Governor Lever
		Consists of 211637 piston ring comp. top end, 211638 piston ring comp. center end, 211635 piston ring oil std.	55	297472	Switch-Stop
		Consists of 211637 piston ring comp. top end, 211638 piston ring comp. center end, 211635 piston ring oil std.	56	261194	Spring-Governor
		Consists of 211637 piston ring comp. top end, 211638 piston ring comp. center end, 211635 piston ring oil std.	57	91084	Cotter-Hair Pin
		Consists of 211637 piston ring comp. top end, 211638 piston ring comp. center end, 211635 piston ring oil std.	58	93006	Crank-Governor
		Consists of 211637 piston ring comp. top end, 211638 piston ring comp. center end, 211635 piston ring oil std.	59	230642	Washer-Spacer
		Consists of 211637 piston ring comp. top end, 211638 piston ring comp. center end, 211635 piston ring oil std.	60	221539	Washer
		Consists of 211637 piston ring comp. top end, 211638 piston ring comp. center end, 211635 piston ring oil std.	61	93354	Nut-Hex 10-24
		Consists of 211637 piston ring comp. top end, 211638 piston ring comp. center end, 211635 piston ring oil std.	62	93354	Washer
		Consists of 211637 piston ring comp. top end, 211638 piston ring comp. center end, 211635 piston ring oil std.	63	93354	Washer
		Consists of 211637 piston ring comp. top end, 211638 piston ring comp. center end, 211635 piston ring oil std.	64	93354	Washer
		Consists of 211637 piston ring comp. top end, 211638 piston ring comp. center end, 211635 piston ring oil std.	65	297456	Retainer-E-Ring
		Consists of 211637 piston ring comp. top end, 211638 piston ring comp. center end, 211635 piston ring oil std.	66	211531	Washer-Thrust
		Consists of 211637 piston ring comp. top end, 211638 piston ring comp. center end, 211635 piston ring oil std.	67	210278	Gear-Cam
		Consists of 211637 piston ring comp. top end, 211638 piston ring comp. center end, 211635 piston ring oil std.	68	299577	Gasket Set
15	68546	Lock-Piston Pin			
16	25840	Pin Assy-Piston-Std.			
17	25841	Pin Assy-Piston-.005" O.S.			
18	22113	Dipper-Connecting Rod			
19	22114	Lock-Conn. Rod Screw			
20	93163	Screw-Cylinder Head Mtg. Sem.			
21	221898	Sh.-Std-Cylinder			

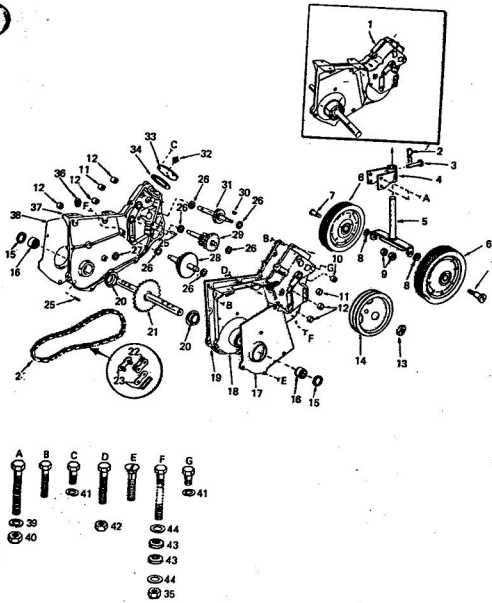
* Included in gasket set Part no. 299577



ROPER ROTO-TILLER ATTACHMENT-MODEL NO. TT5061R0

KEY NO.	PART NO.	DESCRIPTION	KEY NO.	PART NO.	DESCRIPTION
1	7093R	Throttle Control	46	6713H	Time, R.H.
2	3468R	Throttle Control Bracket	47	4929H	Drilled Pan Hd. Rivet, 3/8 x 3/4
3	4012P	Straight Elbow-Std. 90°	48	3146R	Retainer Spring
4	4914H	Square Key, 1/4 sq.	49	634A556	Time Plate & Hub, L.H. (Less Tines)
5	624A38	Idle Arm Support & Pivot	50	634A557	Time Plate & Hub, R.H. (Less Tines & Outer Time Pl)
6	6018P	E-Ring	51	7083R	Scotchval
7	6678H	U-Bolt	52	4379H	Handle Grip
8	3467R	Lift Handle Extension	53	7084R	Scotchval
9	645P	Gripco Crown Locknut, 3/8-16	54	3467R	Time Shield
10	6665H	U-Bolt Plate	55	7081R	Engine Base Strap
11	4839M	Retainer Spring	56	7034R	Scotchval, 8 H.P.
12	6881A	Drilled R.H. Rivet	57	634A717	Hitch Plate Weldment
13	6881R	Clears	58	7061R	Scotchval, Roto-Tiller
14	634A702	Lift Link and Chain-R.H.	59	634A714	Engine, 8 H.P., Briggs & Stratton 190402
15	634A702	Lift Link & Stop-L.H.	60	1002P	Lockwasher, 1/4
16	9401H	Idle Arm	61	1000P	Lockwasher, 1/2
17	1556P	Washer, 13/32 x 7/8 x 14 Ga.	62	1611P	Washer, 3/8 x 7/8 x 14 Ga.
18	3475R	Idle Pulley	63	608P	Hex Jam Nut, 3/8-16
19	6663H	E-Ring	64	1532P	Washer, 11/32 x 11/16 x 16 Ga.
20	3471R	Engine Sheave	A	503P	Hex Nut, 1/4-20
21	4497H	Retainer Spring	B	3234P	Hex Bolt, 1/2-20 x 3/4
22	2501P	Cotter Pin, 5/32 x 1	C	4531P	Hex Socket Headless Set Screw, 5/16-18 x 3/8
23	6656H	Adjusting Pin	D	56P	Flaw Bolt, 5/16-18 x 2
24	6652H	Belt Retainer Link	E	44P	Flaw Bolt, 3/8-16 x 1-1/4
25	634A80	Lever and Arm	F	3028P	Hex Bolt w/Ext. Tooth Lockwasher, 5/16-18 x 3/4
26	634A718	Belt Guard & Brackets	G	6024P	Hex Bolt, 5/16-18 x 3/4
27	1518P	Washer 15/32 x 11/16 x 16 Ga.	H	3010P	Hex Bolt, 5/16-18 x 3/4
28	7062P	Scotchval		7089R	Owner's Manual
29	634A863	Set of 2 Matched V-Belts			
30	3091P	Hex Bolt, 3/8-16 x 1, H.T. Grade 5			
31	1004P	Lockwasher, 3/8			
32	501P	Hex Nut, 3/8-16			
33	634A716	Time Shaft-Outer, Plate & Shield			
34	7050R	End Plate, Outer			
35	7067R	Oil Seal			
36	634A719	Outer Bearing & Seal Lockwasher, 5/16			
37	1002P	Lockwasher, 1/4			
38	504P	Hex Nut, 5/16-18			
39	634A720	Dust Cap & Gress Fitting			
40	1306H	Roll Pin, 1/4 x 1-1/2			
41	7396H	Thrust Bearing Race			
42	7094R	Gasket			
43	7056R	Dust Shield			
44	6133P	Hex Bolt, 5/16-18 x 1-1/4, Grade 5			
45	6712H	Time, L.H.			

ROPER ROTO-TILLER ATTACHMENT—MODEL NO. TT5061R0
TRANSMISSION AND GAUGE WHEELS

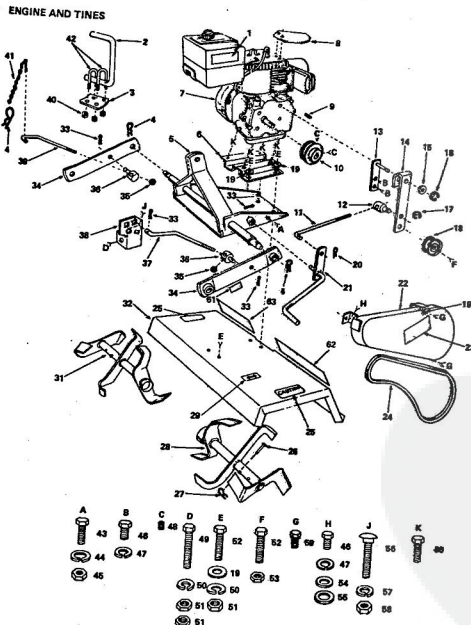


ROPER ROTO-TILLER ATTACHMENT—MODEL NO. TT5061R0
TRANSMISSION AND GAUGE WHEELS

KEY NO.	PART NO.	DESCRIPTION	KEY NO.	PART NO.	DESCRIPTION
1	634A52	Transmission	27	4912H	Gasket
2	4930H	Retainer Spring	28	634A59	2nd Reduction Shaft and Gear
3	4929H	Drilled Pan Head Rivet, 3/8 x 3/4	29	634A58	1st Reduction Shaft and Gear
4	634A61	Gauge Wheel Sleeve and Brackets	30	8858M1	Woodruff Key, 3/16 x 5/8
5	634A59	Gauge Wheel Adjusting Shaft and Brackets	31	634A57	Input Shaft and Pinion
6	3148R	Wheel	32	6856H	Relief Valve
7	4958H	Shoulder Bolt	33	6872H	Gear Shift Cover
8	1557P	Washer, 13/32 x 13/16 x 11 Ga.	34	4913H	Gasket
9	514P	Locknut	35	1858H	Locknut 5/16-18
10	3136R	Needle Bearing	36	4002P	Pipe Plug, 1/2 1/4 M.P.T.
11	8877H	Needle Bearing Shell	37	624A57	Gear Case and Bearings, R.H. Half
12	4955H	Hex Nut 1/2-20	38	4878H1	Gear Case Shield, R.H.
13	9204H	Input Sheave	39	1004P	Lockwasher, 3/8
14	3472R	Oil Seal	40	501P	Hex Nut, 3/8-16
15	4910H	Needle Bearing	41	1003P	Lockwasher, 5/16
16	3039R	Gear Case Shield, L.H.	42	504P	Hex Nut, 5/16-18
17	4977H1	Gear Case and Bearings, L.H. Half	43	7850R	Spacer
18	624A58	Gasket	44	1537P	Washer 11/32 x 11/16 x 10 Ga.
19	2901R	Thrust Cap	A	3030P	Hex Bolt, 3/8-18 x 2-1/4
20	4970H	Tie Shaft and Sprocket	B	5586P	Hex Hd. Roll Lock Tapping Screw, 5/16-18 x 1-1/2
21	634A55	Roller Link	C	3010P	Hex Bolt, 5/16-18 x 3/4
22	4969H	Connecting Link	D	3015P	Hex Bolt, 5/16-18 x 3/4
23	2600R	Roller Chain	E	5958P	Flat Hd. Slotted Roll Lock Tapping Screw, 5/16-18 x 1-1/2
24	8880M	Dowel Pin	F	3018P	Hex Bolt, 5/16-18 x 6
25	1370H	Thrust Bearing Race	G	3008P	Hex Bolt, 5/16-18 x 1/2

REPAIR PARTS:

ROTO-TILLER ATTACHMENT—MODEL NO. TT517AR



ROTO-TILLER ATTACHMENT—MODEL NO. TT517AR

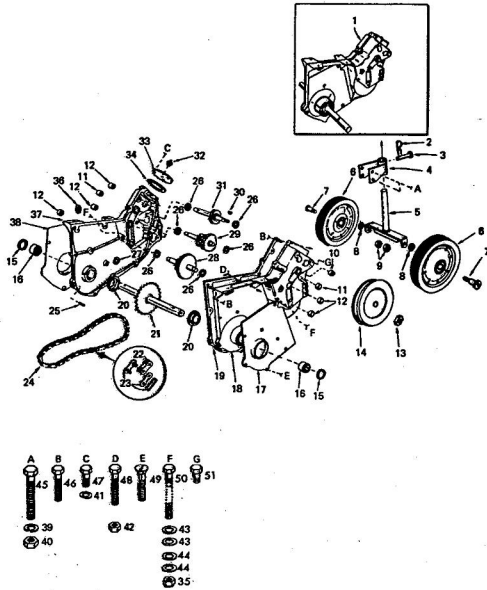
ENGINE AND TINES

KEY NO.	PART NO.	DESCRIPTION	KEY NO.	PART NO.	DESCRIPTION
1	9989R	Decal	33	2501P	*Cotter Pin 5/32 x 1
2	3457R	Lift Handle - Extension	34	826A399	Lower Hitch Bar and Bushings
3	9956H	U-Block Plate	35	8204H	Locknut 1/2 - 20 UNF
4	4940M	Retainer Spring	36	8214R	Lift Link Swivel
5	828A400	Hitch Channel Weldment	37	7758R	Lift Link - L.H.
6	8215R	Engine Base	38	9773R	Lever Stop Bracket
7	H06-75461K	Engine 8 H.P. (Order from your local Tractor Service Dealer)	39	7758R	Lift Link - R.H.
8	8213R	Muffler Shield	40	545P	Orifice Crown Locknut 3/8 - 16 UNC
9	4914H	Square Key 1/4 x 1 - 1/4	41	1003P	Chain and Cotter Pin U-Block
10	8249R	Engine Sheave	42	8232R	*Hex Bolt 1/4 - 20 x 1
11	6802H	Belt Tightener Link	43	3004P	*Lockwasher 1/4
12	6869H	Adjusting Pin	44	1000P	*Hex Nut 1/4 - 20 UNC
13	624A12	Idle Support Plate and Pivot	45	503P	*Hex Bolt 5/16 - 24 x 3/4
14	8401H	Idle Arm	46	3064P	*Lockwasher 5/16
15	1518P	Washer 18/32 x 11/16 x 18 Ga.	47	1003P	*Forged Socket Headless Set Screw 5/16 - 18 x 3/8
16	5015P	E-Ring	48	4537P	*Hex Bolt 3/8 - 16 x 2 Full Thread
17	6883H	E-Ring	49	3288P	*Lockwasher 3/8
18	4933H	Idle Pulley	50	1004P	*Hex Bolt 3/8 - 16 x 2 UNC
19	1556P	Washer 13/32 x 7/8 x 14 Ga.	51	501P	*Hex Bolt 3/8 - 16 x 1 - 1/2
20	4497H	Retainer Spring	52	3027P	*Hex Jam Nut 3/8 - 16 UNC
21	8256A430	Lever and Arm	53	508P	*Washer 11/32 x 11/16 x 18 Ga.
22	624A13A	Decal	54	1537P	*Washer 13/32 x 13/16 x 11 Ga.
23	9851H	Belt Guard and Supports	55	1537P	*Carriage Bolt Sq. Neck Short Shoulder 1/2 - 13 x 1 1/2
24	8225R	Weldnut	56	60P	*Lockwasher 1/2
25	8218R	Weldnut	57	1000P	*Hex Nut 1/2 - 13 UNC
26	4920H	Caution Decal	58	802P	Hex Bolt with Sems Ext. Lockwasher 5/16 - 18 UNC x 3/4
27	3148R	Drilled Pan Hd. Rivet 3/8 x 1 - 3/4	59	8024P	Hex Hd. Cap Screw 5/16 - 18 x 13/16
28	626A01	Time Weldment - L.H.	60	3323P	Decal - Roto-Tiller
29	8212R	Time Weldment - R.H.	61	8798H	Decal - Roper
30	626A02	Time Weldment - R.H.	62	8642R	Decal - Roper
31	8224R	Time Shield	63	8646R	Owners Manual

*STANDARD HARDWARE—PURCHASE LOCALLY

ROTO-TILLER ATTACHMENT-MODEL NO. TT517AR

TRANSMISSION AND GAUGE WHEELS



ROTO-TILLER ATTACHMENT-MODEL NO. TT517AR

TRANSMISSION AND GAUGE WHEELS

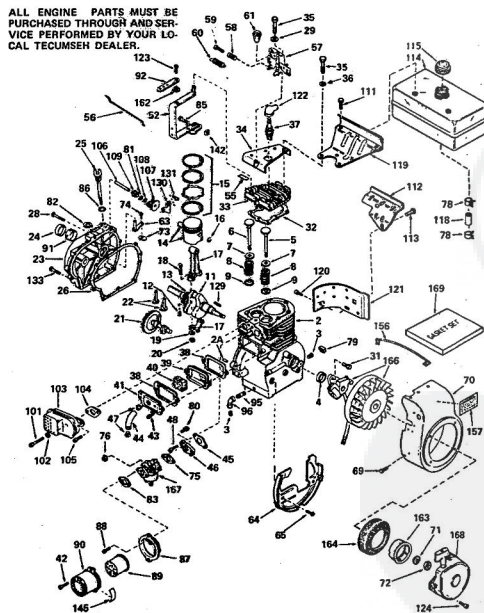
KEY NO.	PART NO.	DESCRIPTION	KEY NO.	PART NO.	DESCRIPTION
1	834A582	Transmission	29	634A58	1st Reduction Shaft and Gear
2	48294	Retainer Spring	30	868M1	Woodruff Key 3/16 x 5/8
3	4229H	Drilled Pin Head Rivet 3/8 x 1 - 3/4	31	634A57	Input Shaft and Pinion
4	834A581	Gauge Wheel Sleeve and Brackets	32	585EH	Relief Valve
5	834A589	Gauge Wheel Adjusting Shaft and Bracket	33	6872H	Gear Shift Cover
6	3148R	Wheel	34	4913H	Gasket
7	4989H	Shoulder Bolt	35	1885H	*Locknut 5/16 - 18 UNC
8	1587P	*Washer 13/32 x 13/16 x 11 Ga.	36	4022P	*Pin Plug 1/2 - 14 H.P.T.
9	514P	*Locknut 3/8 - 18 UNC Nylon	37	624A57	Gear Case and Bearings R.H. Half (Incl. Key No. 1, 12, 16 & 20)
10	3136R	Needle Bearing	38	4978H1	Gear Case Shield R.H.
11	6877H	Needle Bearing Shell	39	1004P	*Lockwasher 3/8
12	4866H	Needle Bearing	40	501P	*Hex Nut 3/8 - 18 UNC
13	9204H	Lock Nut 1/2 - 20 UNF	41	1003P	*Lockwasher 5/16
14	4832H	Input Shave	42	504P	*Hex Nut 5/16 - 18 UNC
15	4910H	Oil Seal	43	7850H	Sprocket
16	3039R	Needle Bearing	44	1531P	*Washer 11/32 x 1 1/16 x 18 Ga.
17	4877H1	Gear Case Shield L.H.	45	3030P	*Hex Bolt 3/8 - 16 x 2 - 1/4
18	834A589	Gear Case and Bearings L.H. Half (Incl. Key No. 10, 12, 16 & 20)	46	5585P	Hex Hd. Roll-Lok Thd. Forming Screw 5/16 - 18 x 1 - 1/2
19	2801R	Gasket	47	3010P	*Hex Bolt 5/16 - 18 x 3/4
20	4870H	Thrust Cap	48	3015P	*Hex Bolt 5/16 - 18 x 2
21	834A585	Tine Shaft and Sprocket	49	5585P	Flat Hd. Slotted Roll-Lok Thd. Forming Screw 5/16 - 18 x 1 - 1/2
22	4950H	Noise Link	50	3018P	*Hex Bolt 5/16 - 18 x 6
23	4949H	Connecting Link	51	3008P	*Hex Bolt 5/16 - 18 x 1/2
24	2800R	Roller Chain			
25	1370H	Thrust Bearing Race			
26	4912H	Gasket			
27	834A589	2nd Reduction Shaft and Gears			

*STANDARD HARDWARE-PURCHASE LOCALLY

ROTO-TILLER ATTACHMENT-MODEL NO. TT517AR
TECUMSEH ENGINE-MODEL NO. H60-75451K

ENGINE

ALL ENGINE PARTS MUST BE PURCHASED THROUGH AND SERVICE PERFORMED BY YOUR LOCAL TECUMSEH DEALER.

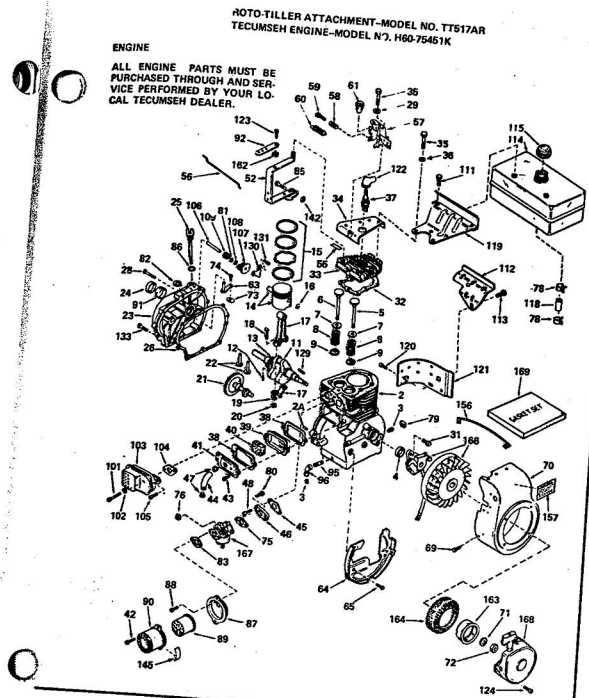


ROTO-TILLER ATTACHMENT-MODEL NO. TT517AR
TECUMSEH ENGINE-MODEL NO. H60-75451K

ENGINE

KEY NO.	PART NO.	DESCRIPTION	KEY NO.	PART NO.	DESCRIPTION
1	666192	Complete Engine	39	28423	Body, Breather
2	33311B	Cylinder Assembly (Incl. Nos. 2, 4 & 5)	40	28424	Element, Breather
2A	27652	Pin, Dowel	41	28425	Cover, Valve spring
3	27642	Plug, Sq. hd. pipe (oil drain)	42	650152	Screw, Phil. slotted hd. Sems, 8-32 x 3/8
4	27875B	Seal, Oil	43	650128	Screw, Phil. slotted hd. Sems, 10-24 x 1/2
5	32783	Valve, Intake (Standard) (Incl. No. 9)	44	33447	Tube, Breather
5	32784	Valve, Intake (1/32" oversize) (Incl. No. 9)	45	*27915	Gasket, Intake
6	27878A	Valve, Exhaust (Standard) (Incl. No. 9)	46	30195A	Flange, Carburetor (Incl. Nos. 75 & 80)
6	27880A	Valve, Exhaust (1/32" oversize) (Incl. No. 9)	47	32446	Grommet, Breather tube
7	27882	Cap, Upper valve spring	48	30196	Screw, Phil. hd. mach., P.C.R., 5/16-18 x 3/4
8	27881	Spring, Valve	52	32326A	Lever, Governor
9	32531	Cap, Lower valve spring	55	33107	Decal, Control
11	30799	Crankshaft Assy. (Incl. Nos. 12 & 13)	56	31710	Link, Governor lever-to-throttle
12	29783	Pin, Crankshaft gear	57	31726A	Bracket Assy., Speed control (Incl. Nos. 55, 59 & 61)
13	27884	Gear, Crankshaft	58	28569	Spring, Compression
14	33312	Piston & Pin Assy. (Standard) (Incl. 2 of No. 16)	59	29500	Screw, Slotted fil. hd. Sems, 8-32 x 3/4
14	33313	Piston & Pin Assy. (.010 oversize) (Incl. 2 of No. 16)	60	30403	Spring, Extension
14	33314	Piston & Pin Assy. (.020 oversize) (Incl. 2 of No. 16)	61	32410	Knob, Speed control
15	33315	Ring Set, Piston (Standard)	63	30699C	Rod Assy., Governor (Incl. Nos. 73 & 74)
15	33316	Ring Set, Piston (.010 oversize)	64	29536	Bracket, Blower housing
15	33317	Ring Set, Piston (.020 oversize)	65	650561	Screw, Phil. hex hd. Sems, 1/4-20 x 5/8
16	27888	Ring, Piston pin retaining	69	29747A	Screw, Hex hd. Sems, cap, 5/16-24 x 3/4
17	31380C	Rod Assy., Connecting (Incl. Nos. 18, 19 & 20)	70	32156C	Housing, Blower
18	30682	Bolt, Connecting rod	71	650489	Washer, Belleville
19	28078	Washer, Connecting rod	72	8115	Nut, Crankshaft
20	28564	Nut, Lock	73	30700	Yoke, Governor
21	33156	Camshaft (Compression Release)	74	650494	Screw, Phil. fil. hd. Sems, 6-40 x 5/16
22	34034	Lifter, Valve	75	*31888	Gasket, Carburetor
23	31303B	Cover, Cylinder (Incl. Nos. 24, 25 & 106)	76	29752	Nut & Lockwasher, 1/4-28
24	28427	Dipstick, Oil (Incl. No. 86)	78	29460	Clamp, Fuel line
25	*30694	Gasket, Cylinder cover	79	27275	Clip, Wire
28	650488	Screw, Hex hd. Sems, 1/4-20 x 1-1/4	80	650572	Screw, Phil. flat hd. Sems, 1/4-28 x 1-1/8
29	28073	Washer, Flat, 5/16"	81	30590A	Washer, Flat
31	650489	Screw, Hex hd. Sems, 1/4-20 x 5/8	82	29842	Ring, Retaining
32	*28938B	Gasket, Cylinder head	83	*27272	Gasket, Air cleaner
33	30938A	Head, Cylinder	85	29826	Screw, Hex slotted washer hd. mach., 10-32 x 3/4
34	30939A	Cover, Cylinder head	86	*29873	Gasket, Dipstick
35	650697	Screw, Hex hd. cap, 5/16-18 x 2-1/2	87	31708	Bracket, Air cleaner
36	650691	Washer, Flat	88	29820	Screw, Phil. fil. hd. mach. Sems, 10-32 x 1/2
37	33636	Plug, Spark	89	31700	Element, Air cleaner
38	*27896	Gasket, Valve spring cover			

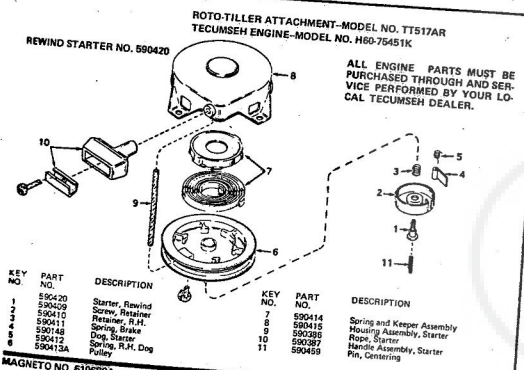
*Indicates Parts Included in Gasket Set, Ref. No. 169.



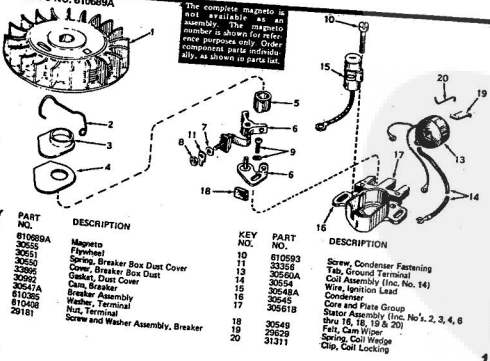
ROTO-TILLER ATTACHMENT-MODEL NO. TT517AR
TECUMSEH ENGINE-MODEL N^o. H60-75451K

KEY PART NO.	DESCRIPTION	KEY PART NO.	DESCRIPTION
90	21692 Body, Air cleaner	123	650648 Screw, Hex slotted wash 8-32 x 3/8
91	21646 Bracket, Governor adjusting	124	29716 Screw, Flat pan hd. 1/4-28 x 7/16
92	30205 Nipple, Pipe	129	30884 Key, Flywheel
93	30965 Elbow, Oil drain	130	31843A Bracket, Governor gear
96	32214 Screw, Hex hd. cap. 5/16-18 x 2	131	28763 Screw, Hex washer hd., t forming, 10-24 x 1/2
101	650694 Screw, Hex hd. cap. 5/16-18 x 2	133	650488 Screw, Hex hd. Sema, 1/4-28 x 1 1/4
102	28073 Washer, Flat, 5/16"	142	29216 Nut, Square, 10-32
103	22401 Muffler	145	31871A Decal, Air cleaner
104	27830 Gasket, Fuel hd. mach., P.C.R., 8/16-18 x 3/4	146	25488 Wire, Ground
105	30196 Screw, Flat hd. Sema, 1/4-20 x 3/8	157	34138 Decal, Instruction
106	31845 Shaft, Mechanical governor (Incl. No. 81)	158	29918 Lockwasher, No. 8 E.T.
107	30591 Gear Assembly, Governor (Incl. No. 81)	162	32125 Cup, Starter
108	29193 Ring Retaining	163	590417 Screen, Starter cup
109	30588A Spool, Governor	166	610689A Magneto (The comp magneto is not available as assembly. The magneto num is shown for reference purpose only. Order component p individually, as shown in p list.)
111	650466 Screw, Hex hd. Sema, 1/4-14 x 7/8	167	631067A Carburetor (Incl. No. 75)
112	24188 Bracket, Fuel tank	168	590420 Starter Assembly, Rewind
113	65061 Screw, Flat hd. Sema, 1/4-20 x 3/8	169	32355 Gasket Set (Incl. Items marked *)
114	24156 Tank, Fuel		
115	22291A Cap, Fuel tank		
116	30962 Line, Fuel		
119	34119 Plate, Fuel tank mounting		
120	600128 Screw, Flat slotted hd. Sema, 10-24 x 1 1/2		
121	30622 Extension, Blower housing		
122	610116 Cover, Spark plug		

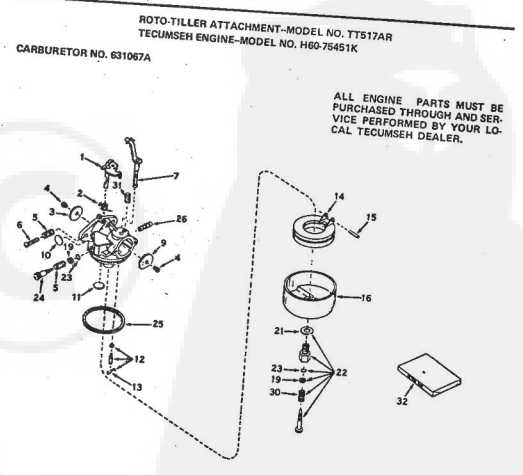
OPTIONAL EQUIPMENT
Spark Arrestor Muffler 391026



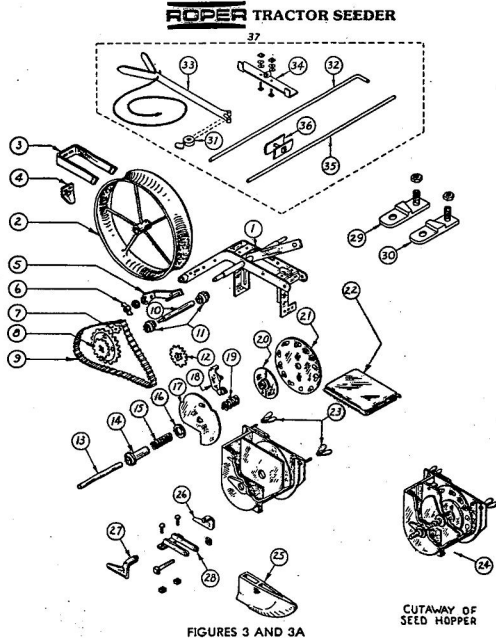
KEY PART NO.	DESCRIPTION	KEY PART NO.	DESCRIPTION
1	590420 Starter, Rewind	7	590414 Spring and Keeper Assembly
2	590429 Screw, Retainer	8	590415 Housing Assembly, Starter
3	590410 Retainer, R.H.	9	590385 Rope, Starter
4	590411 Spring, Brake	10	590387 Handle Assembly, Starter
5	590748 Dog, Starter	11	590468 Pin, Camming
6	590412 Spring, R.H. Dog		
8	590413A Pulley		



KEY PART NO.	DESCRIPTION	KEY PART NO.	DESCRIPTION
1	610689A Magneto	10	610593 Screw, Condenser Fastening
2	30651 Flywheel	11	33359 Tab, Ground Terminal
3	30652 Spring, Breaker Box Dust Cover	12	30569A Coil Assembly (Incl. No. 14)
4	32892 Gasket, Dust Cover	13	30554 Wire, Ignition Lead
5	30992 Cam, Brake	15	30548A Condenser
6	30671A Breaker Assembly	16	30545 Core and Plate Group
8	610689B Washer, Terminal	17	30561B Stator Assembly (Incl. No's. 2, 3, 4, 6) (Incl. No. 18, 19 & 20)
9	610689C Nut, Terminal	18	30640 Fat, Cam Wiper
10	29181 Screw and Washer Assembly, Breaker	19	29629 Spring, Coil Wedge
		20	31311 Clip, Coil Locking



KEY PART NO.	DESCRIPTION	KEY PART NO.	DESCRIPTION
1	631067A Carburetor	14	631023 Float, Carburetor
2	31834 Shaft & Lever Assy., Throttle	15	*631024 Shaft, Float
3	630731 Spring, Throttle return	16	631857 Bowl, Float
4	631038 Shaft, Throttle	19	630739 Washer
5	650506 Screw, 4-40 x 3/16	21	27110 Gasket, Bowl-to-body
6	630765 Spring, Idle regulating	22	27110 Adjustment Screw Assy., Main
8	650417 Screw, Idle regulating	23	*630740 "O" Ring, Adjustment screw
7	31836 Shaft & Lever Assy., Choke	24	*631078 Screw, Idle adjustment
9	31837 Flap, Welch	25	*631028 Gasket, Bowl-to-body
10	*630748 Flap, Welch	28	631803 Fitting, Fuel inlet
11	*631077 Plug, Welch	30	630738 Spring, Main adjustment screw
12	*631021 Inlet, Needle, Seat & Clip Assy. (Incl. No. 13)	31	630735 Spring, Choke stop
13	631022 Clip, Inlet needle	32	31840 Repair Kit (Incl. Items marked*)



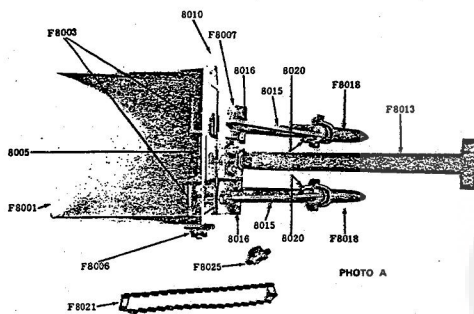
ROPER TRACTOR SEEDER PARTS LIST

Illus. No.	Part No.	Part Name	Illus. No.	Part No.	Part Name
1	#17034R	Chassis Assembly		#17020E 2	3/8 Diam. Pocket (2 Pocket Seed Disc)
2	#17112B	Concave Rear Wheel		#17020F 2	1/2 Diam. Pocket (2 Pocket Seed Disc)
3	#17093	Rear Scraper Bracket		#17020G 2	9/16 Diam. Pocket (2 Pocket Seed Disc)
4	#17117	Concave Wheel Scraper		#17020J 2	3/4 Diam. Pocket (2 Pocket Seed Disc)
5	#17182B	Miter Lever Assembly			
6	#10900	5/16 - 18 Wing Nut			
7	#17081	Miter Sprocket 6T			
8	#17019	Large Double Sprocket 12T-18T	22	#17097	Hopper Cover
9	#10001	Sprocket Chain #25 Link Belt 45 Links	23	#17094	5/16 - 18 Wing Nut
10	#17046	Rear Axle	24	#17060	Hopper Welded Assembly
11	#17045	Rear Wheel Bushings	25	#18093	Hopper Shoe
12	#17018	Small Double Sprocket 6T-12T	26	#18090	L. H. Coverer Blade
13	#17055	Hopper Shaft	27	#18089	R. H. Coverer Blade
14	#17092	Hopper Sleeve Assembly	28	#18091	Coverer Bracket Assembly
15	#17062	Flow Control Disc	29	#17303A	L.H. Adapter Plate
16	#17058	Hopper Flow Disc	30	#17302A	R.H. Adapter Plate
17	#17061	Flow Control Disc Spring	31	#17024	Marker Collar
18	#17102	Brush Assembly	32	#17025R	Marker Rod
19	#17063	Driving Disc Spring	33	#17078H	Marker Washer
20	#17064	Driving Disc Assembly	34	#17310	Marker Mfg. Bracket
21	#17020A12	1/8 Diam. Pocket (12 Pocket Seed Disc)	35	#17311	Marker Ext. Rod
	#17020B12	3/16 Diam. Pocket (12 Pocket Seed Disc)	36	#17312	Marker Ext. Clamp
	#17020C12	1/4 Diam. Pocket (12 Pocket Seed Disc)	37	#17313	Complete Marker Assembly
	#17020D12	5/16 Diam. Pocket (12 Pocket Seed Disc)			
	#17020E12	3/8 Diam. Pocket (12 Pocket Seed Disc)			
	#17020F12	1/2 Diam. Pocket (12 Pocket Seed Disc)			
	#17020G12	9/16 Diam. Pocket (12 Pocket Seed Disc)			

MASTERS MFG. & EQUIP. COMPANY
400 Ryder
Litchfield, Illinois 62556

Order parts from address listed above.

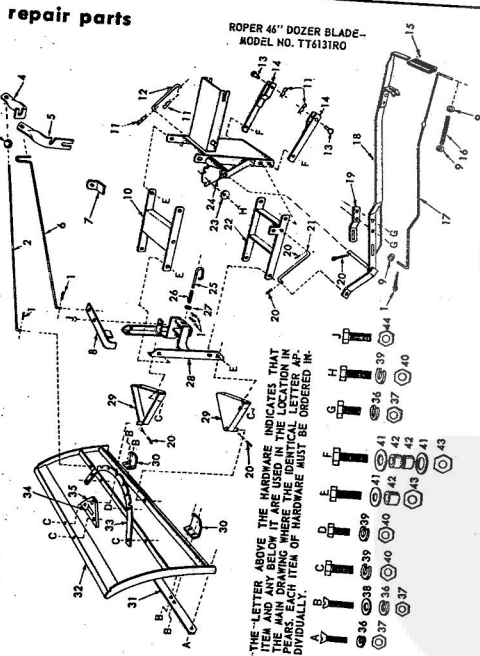
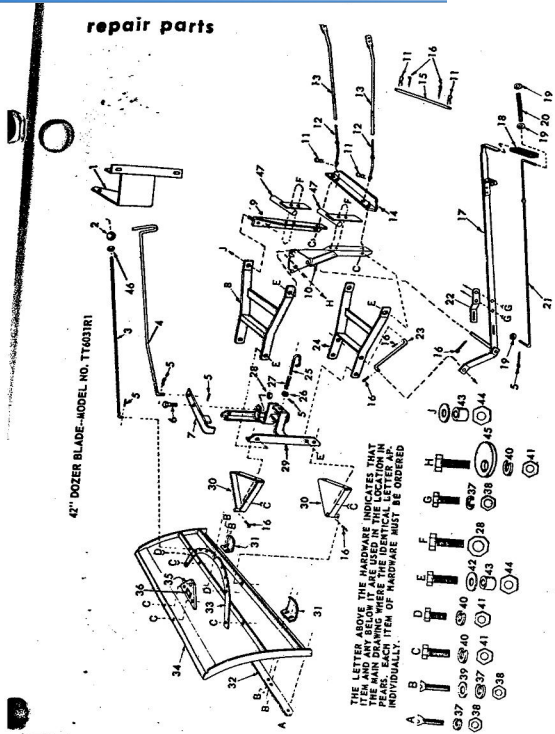
NOTE: The Seed Discs (1/8, 3/16, 1/4, 5/16, 3/8, 1/2, and 9/16) are not furnished as standard equipment. These discs are optional and are available by special orders.



FERTILIZER PARTS LIST

Part Number	No. Required	Part Name
F 8001	1	Fertilizer Body only, including Feed Adjustment Gauge
F 8003	2	Agitators
8005	1	Fertilizer Shaft
F 8006	1	Fertilizer Sprocket 6T 7/16 Bore
F 8007	1	Fertilizer Mounting bracket Assembly w/bolts, washers, and nuts
8010	1	Feed Adjustment gauge
F 8013	1	Mounting Bracket
8015	2	Feed Tubes
8016	2	U Bolts w/nuts
F 8018	2	Opener Assemblies
8020	2	U Bolts w/nuts
F 8021	1	Std. #25 Link Belt Chain 38 Links
F 8025	1	Axle Sprocket 6T

Click Here to upgrade to Unlimited Pages and Expanded Features



42" DOZER BLADE—MODEL NO. TT6031R1

KEY NO.	PART NO.	DESCRIPTION	KEY NO.	PART NO.	DESCRIPTION
1	626A322	Rod Bracket Assembly	30	626A282	Fork
2	6364H	Control Knob	31	9028M	Blade Shoe
3	7383H	Blade Rod	32	8884H	Blade Edge
4	2032R	Lock Rod	33	8884H	Arch
5	2058P	*Cotter Pin 1/8 x 3/4	34	626A258	Blade
6	3023P	*Hex Bolt 3/8-16 x 1	35	1411H	Upper Pivot Gusset
7	634A143	*Hex Bolt 3/8-16 x 1	36	1411H	Model Number Plate
8	626A300	Pivot Arm Weldment	37	1002P	*Lockwasher 1/4
9	626A533	Upper Lift Frame	38	503P	*Hex Nut 1/4-20 UNC
10	626A261A	Mounting Angle and Quadram Assembly, L.H.	39	1506P	*Washer 8/32 x 5/8 x 18 Ga.
11	4940M	Blade Spring	40	501P	*Lockwasher 3/8 Heavy Duty
12	626A310	Push Rod Front Weldment	41	1544P	*Hex Nut 3/8-16 UNC
13	1840R	Push Rod	42	5222H	Bushing
14	6201H	Mounting Angle Brace	43	2409R	Lock Nut 7/16-14 UNC
15	1049P	Lower Link Pin	44	7762H	Lift Lever Stop
16	2501P	*Cotter Pin 5/32 x 1	45	588P	*Hex Jam Nut 3/8-16 UNC
17	626A534	Lever and Arm Assembly	46	626A432	Oscillation Stop
18	6200H	Handle Grip	47	3064P	*Flat Hd. Screw 1/4-20 x 3/4
19	1513P	*Washer 13/32 x 13/16 x 18 Ga.	B	3130P	*Hex Bolt 3/8-16 x 1
20	1539U1	Spring	C	3023P	*Hex Bolt 3/8-16 x 3/4
21	6200H	Lever Plunger	D	3023P	*Hex Bolt 3/8-16 x 1-1/4
22	4338M	Lift Rod	E	3035P	*Hex Bolt 1/4-20 x 3/4
23	7384H	Lift Frame	F	3137P	*Hex Bolt 3/8-16 x 1-1/4 Heat Treated
24	626A46A	Latch	G	1544P	*Washer 15/32 x 59/64 x 18 Ga.
25	6200R	*Washer 7/16 x 1 x 14 Ga.	H	6260P	Owners Manual
26	1517P	*Locknut 3/8-16 UNC	J		
27	7383H	Front Frame			
28	545P				
29	605A97B				

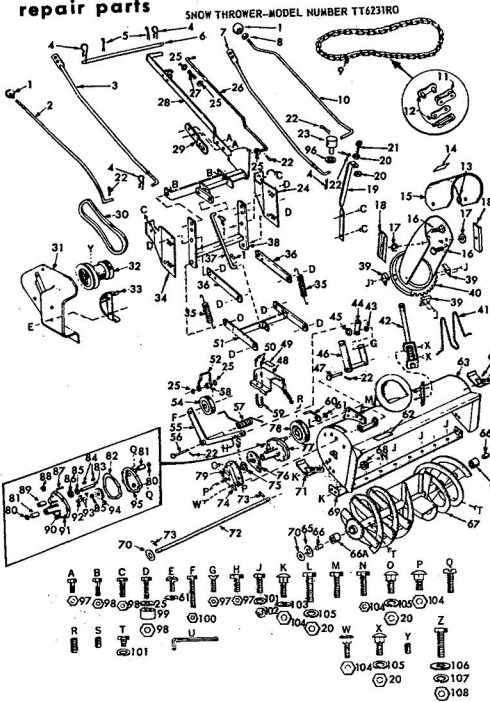
*STANDARD HARDWARE—PURCHASE LOCALLY

ROPER 46" DOZER BLADE—MODEL NO. TT6131R0

KEY NO.	PART NO.	DESCRIPTION	KEY NO.	PART NO.	DESCRIPTION
1	2505P	*Cotter Pin 1/8 x 3/4	26	7012H	Washer 7/16 x 1 x 14 Ga.
2	7383H	Control Knob	27	1517P	*Locknut 3/8-16 UNC
3	2032R	Lock Rod	28	626A322	Rod Bracket Assembly
4	2058P	*Cotter Pin 1/8 x 3/4	29	9028M	Blade Shoe
5	3023P	*Hex Bolt 3/8-16 x 1	30	626A282	Fork
6	634A143	*Hex Bolt 3/8-16 x 1	31	8884H	Blade Edge
7	634A143	*Hex Bolt 3/8-16 x 1	32	8884H	Arch
8	634A143	*Hex Bolt 3/8-16 x 1	33	8884H	Blade Edge
9	634A143	*Hex Bolt 3/8-16 x 1	34	626A258	Blade
10	634A143	*Hex Bolt 3/8-16 x 1	35	1411H	Upper Pivot Gusset
11	634A143	*Hex Bolt 3/8-16 x 1	36	1411H	Model Number Plate
12	634A143	*Hex Bolt 3/8-16 x 1	37	1002P	*Lockwasher 1/4
13	634A143	*Hex Bolt 3/8-16 x 1	38	503P	*Hex Nut 1/4-20 UNC
14	634A143	*Hex Bolt 3/8-16 x 1	39	1506P	*Washer 8/32 x 5/8 x 18 Ga.
15	634A143	*Hex Bolt 3/8-16 x 1	40	501P	*Lockwasher 3/8 Heavy Duty
16	634A143	*Hex Bolt 3/8-16 x 1	41	1544P	*Hex Nut 3/8-16 UNC
17	634A143	*Hex Bolt 3/8-16 x 1	42	5222H	Bushing
18	634A143	*Hex Bolt 3/8-16 x 1	43	2409R	Lock Nut 7/16-14 UNC
19	634A143	*Hex Bolt 3/8-16 x 1	44	7762H	Lift Lever Stop
20	634A143	*Hex Bolt 3/8-16 x 1	45	588P	*Hex Jam Nut 3/8-16 UNC
21	634A143	*Hex Bolt 3/8-16 x 1	46	626A432	Oscillation Stop
22	634A143	*Hex Bolt 3/8-16 x 1	47	3064P	*Flat Hd. Screw 1/4-20 x 3/4
23	634A143	*Hex Bolt 3/8-16 x 1	B	3130P	*Hex Bolt 3/8-16 x 1
24	634A143	*Hex Bolt 3/8-16 x 1	C	3023P	*Hex Bolt 3/8-16 x 3/4
25	634A143	*Hex Bolt 3/8-16 x 1	D	3023P	*Hex Bolt 3/8-16 x 1-1/4
26	634A143	*Hex Bolt 3/8-16 x 1	E	3035P	*Hex Bolt 1/4-20 x 3/4
27	634A143	*Hex Bolt 3/8-16 x 1	F	3137P	*Hex Bolt 3/8-16 x 1-1/4 Heat Treated
28	634A143	*Hex Bolt 3/8-16 x 1	G	1544P	*Washer 15/32 x 59/64 x 18 Ga.
29	634A143	*Hex Bolt 3/8-16 x 1	H	6260P	Owners Manual
30	634A143	*Hex Bolt 3/8-16 x 1	J		

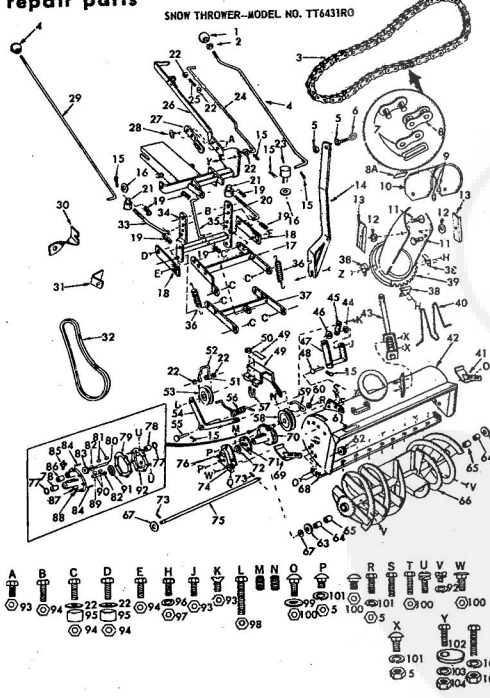
* indicates all items shipped in bag of parts with new Burlington-Sawblow.

repair parts

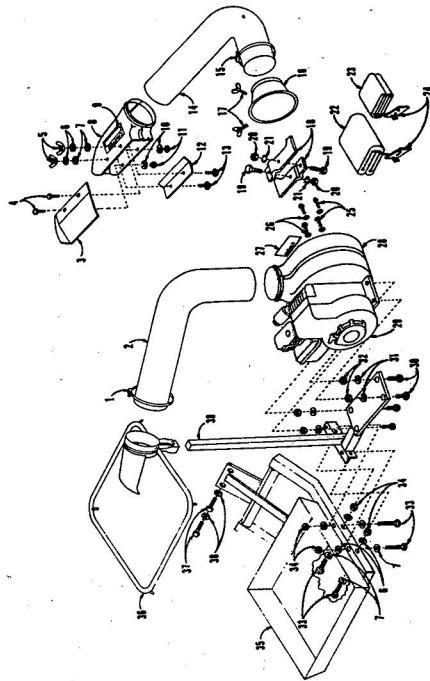


KEY NO.	PART NO.	DESCRIPTION	KEY NO.	PART NO.	DESCRIPTION
1	6364R1	Control Knob	69	6364R199	Scoper and Reinforcement
2	5319H1	Clutch Rod	70	8447H1	Filter Washer
3	6364R123	Pulley Rod Assembly R.H.	71	6364R199	Slide R.H.
4	4942M	Retainer Spring	72	5324H	Impeller Shaft
5	2511P	Center Pin 3/8x1	73	7830M	Ball Pin 3/16 x 1-1/8
6	1049R	Lower Link Pin	74	937R	Chain Guard
7	6364R14	Pulley Rod Assembly L.H.	75	6556H1	Sprocket 15 Tooth
8	508P	Hex Hex Nut 3/8-16	76	2274R	Chain Guard Bracket
9	3858H	Roller Chain	77	6364R100	Gear Case Assembly
10	3873R	Chain Control Rod	78	4689H1	Pulley
11	277H	Roller Link	79	4647H	Model Number Plate
12	276H	Connecting Link	80	4200H	Oil Seal
13	1522P	Washer 1/2 x 1 1/4 x 14 Ga.	81	8119H	Bearing
14	4620M	Wearing Label	82	4672H	Gasket
15	1783R	Deflector Hood	83	4644H1	Pinion Shaft
16	16P	Carriage Bolt 5/16-18 x 3/4	84	5863H	Woodruff Key 1/8 x 1/2
17	4614R	Compression Washer	85	6266H	Thrust Washer
18	626A292	Handle Nut	86	4647H	Pinion
19	1781R	Chain Control Rod Bracket	87	179H	Roll Pin 3/16 x 3/4
20	523P	Hex Nut 5/16-18	88	3615H	Relief Valve
21	4564R	Eyebolt	89	8119M	Bearing
22	2305P	Center Pin 1/8 x 3/8	90	4001P	Pipe Plug 1/2 N.P.T.
23	3873R	Chain Control Trunion	91	626A245	Gear Case and Bearing
24	942R	Hanger Bracket L.H.	92	5325H2	Gear Shaft
25	1531P	Washer 1/2 x 1 1/4 x 16 Ga.	93	9858M1	Woodruff Key 3/16 x 5/8
26	6364R1	Lower Plunger	94	4648H1	Gear
27	1539U1	Spring	95	6364R3	Gear Case Cover w/Bearing
28	6364R23	Pivot Frame Weldment	96	1546P	Washer 17/32 x 1 1/8 Ga.
29	4338M	Lever Clip-Lower	97	1605H	Gripco Nut 3/8-16
30	1836C	V-Belt (Snow Cover Drive)	98	543P	Gripco Nut 3/8-16
31	6364R14A	Pulley Guard Weldment	99	280M1	Bushing
32	6364R11	Engine Pulley w/Ser Screw for B.P.P. Tractor	100	514P	Lockwasher 1/2
33	6364R12	Engine Pulley w/Ser Screws for 10 H.P. Tractor	101	503P	Hex Nut 1/2-20
34	6364R12A	Belt Retainer and Bracket	102	1556P	Washer 13/32 x 7/8 x 14 Ga.
35	7418	Hanger Bracket R.H.	103	1685H	Gripco Nut 5/16-18
36	4705H	Spring	104	1002P	Lockwasher 3/8
37	5209H	Lever Stop	105	2469R	Lever Stop
38	7425H	Life Link	106	1046P	Lockwasher 3/8
39	6364R5A	Swing Frame	107	501P	Hex Nut 3/8-16
40	2333R	Deflector Clip	A	3064P	Hex Bolt 3/8-16 x 1 1/2
41	6364R305	Chute Assembly	B	3025P	Hex Bolt 3/8-16 x 1 1/2
42	1789R	Guard	C	3022P	Hex Bolt 3/8-16 x 1 1/2
43	6364R304	Worm Shaft Assembly	D	3025P	Hex Bolt 3/8-16 x 1 1/2
44	1507P	Washer 7/32 x 1 1/8 x 16 Ga.	E	3022P	Hex Bolt 3/8-16 x 1 1/2
45	6364R14A	Toggle Lever Assembly	F	3031P	W/Lockwasher 5/16-18 x 1 1/2
46	1507P	Washer 7/32 x 1 1/8 x 7 Ga.	G	3046P	Flat Hd. Screw 1/2-20 x 3/4
47	7425H	Life Link	H	3116P	Hex Bolt 5/16-18 x 1 1/2
48	6364R153	Pulley Guard and Stop	I	3116P	Hex Bolt 5/16-18 x 1 1/2
49	5867H	Wearing Label	J	3116P	Hex Bolt 5/16-18 x 1 1/2
50	4527H	Gripco Nut No. 10-24	K	3116P	Hex Bolt 5/16-18 x 1 1/2
51	6364R152	Swing Frame-Lower	L	3011P	Hex Bolt 5/16-18 x 1 1/2
52	7831H	Belt Retainer	M	3012P	Hex Bolt 5/16-18 x 1 1/2
53	4707H	Idle Pulley	N	3012P	Hex Bolt 5/16-18 x 1 1/2
54	626A84	Idle Arm and Bushing	O	14P	Carriage Bolt 5/16-18 x 1 1/2
55	626A84	Idle Arm and Bushing	P	14P	Carriage Bolt 5/16-18 x 1 1/2
56	7448H1	Drilled Rivet 5/16 x 45	Q	6033P	Slotted Pan Hd. Mech. Screw w/Lockwasher 1/2-20 x 1
57	5869H1	Idle Spring	R	4511P	Set Screw Hex Socket Headless 5/16-20 x 3/8
58	7830H	Spacer	S	4507P	Set Screw Hex Socket Headless 5/16-20 x 1/2
59	7460H	U-Bolt	T	3112P	Slotted Pan Hd. Mech. Screw 1/2-20 x 3/8
60	7830H1	Belt Guide	U	1843R	Wrench, Allen Set Screw 3/16 Hex
61	1531P	Washer 1 1/2 x 1 1/4 x 16 Ga.	V	16P	Caulking Pivotal Bolt
62	1531P	Washer 1 1/2 x 1 1/4 x 16 Ga.	W	16P	Caulking Pivotal Bolt
63	626A306	Housing Assembly	X	16P	Caulking Pivotal Bolt
64	6364R78	Washer 1 1/2 x 1 1/4 x 16 Ga.	Y	16P	Caulking Pivotal Bolt
65	1507P	Washer 7/32 x 1 1/8 x 16 Ga.	Z	3137P	Hex Bolt 3/8-16 x 1 1/2 H.T.
66	626A84	Idle Arm and Bushing		3829R	Owners Manual
67	626A292	Impeller and Bushing			
68	4707H	Chain Block			

repair parts



KEY NO.	PART NO.	DESCRIPTION	KEY NO.	PART NO.	DESCRIPTION
1	9439R	Control Knob	64	4695H	Bearing
2	508P	Hex Hex Nut 3/8-16	65	6364R23	Bearing & Bushing
3	932R	Roller Chain	66	6364A41	Impeller with Bearings
4	3873R	Chain Control Rod	67	8447H1	Filter Washer
5	508P	Hex Nut 5/16-18	68	6364R27	Scoper and Reinforcement
6	6564H	Eye Bolt	69	6364R29	Slide R.H.
7	270H	Connecting Link	70	6364R40	Gear Case Assembly
8	277H	Roller Link	71	937R	Chain Guard
8A	4620M	Wearing Label	72	6556H1	Sprocket 15 Tooth
9	1522P	Washer 7/8 x 1 1/4 x 14 Ga.	73	7830M	Ball Pin 3/16 x 1-1/8
10	1783R	Deflector Hood	74	937R	Chain Guard
11	16P	Carriage Bolt 5/16-18 x 3/4	75	8432H	Impeller Shaft
12	4614R	Compression Washer	76	4200H	Oil Seal
13	626A292	Handle Nut	77	8119H	Bearing
14	6364M06	Chute Rod Support Weldment	78	8119M	Bearing
15	2505P	Center Pin 1/8 x 3/8	79	6672H	Gasket
16	1546P	Washer 17/32 x 1 1/8 x 16 Ga.	80	6567H	Pinion Shaft
17	6364R148	Swing Frame-Upper	81	5863H	Woodruff Key 1/8 x 1/2
18	7890H	Push Stop	82	6266H	Thrust Washer
19	4940M	Retainer Spring	83	4647H	Pinion
20	6364H1	Channel Lock Link	84	179H	Roll Pin 3/16 x 3/4
21	6568H1	Adjusting Pin	85	3635H	Relief Valve
22	1531P	Washer 1 1/2 x 1 1/4 x 16 Ga.	86	8119M	Bearing
23	3873R	Chain Control Trunion	87	4001P	Pipe Plug 1/2 N.P.T.
24	946H	Handle Plunger	88	6364R3	Gear Case and Bearing
25	1539U1	Spring	89	8432H	Gear Shaft
26	6364R12A	Pivot Frame & Channel Weldment	90	9858M1	Woodruff Key 3/16 x 5/8
27	4338M	Lever Clip-Lower	91	4648H1	Gear
28	1507P	Washer 7/32 x 5/8 x 16 Ga.	92	6364R39	Gear Case Cover & Bearings
29	7363H	Clutch Rod	93	1605H	Gripco Nut 3/8-16
30	2010H	Rid Bracket	94	543P	Gripco Nut 3/8-16
31	2708R	Clutch Lever Lock	95	280M1	Bushing
32	1835R	U-Bolt (Snow Thrower Drive)	96	1002P	Lockwasher 1/2
33	6591H1	Channel Lock Link	97	503P	Hex Nut 1/2-20
34	6364A44	Hanger Weldment	98	1556P	Washer 13/32 x 7/8 x 14 Ga.
35	7429H	Life Link	99	1685H	Gripco Nut 5/16-18
36	4703H	Spring	100	1002P	Lockwasher 3/8
37	6364R150	Swing Frame-Lower	101	2469R	Lever Stop
38	2333R	Deflector Clip	102	1046P	Lockwasher 3/8
39	626A305	Chute Assembly	104	501P	Hex Nut 3/8-16
40	1789R	Guard	A	3025P	Hex Bolt 3/8-16 x 1 1/2
41	626A298	Slide L.H.	B	3022P	Hex Bolt 3/8-16 x 1 1/2
42	626A272	Housing Assembly	C	3025P	Hex Bolt 3/8-16 x 1 1/2
43	626A304	Worm Shaft Assembly	D	3025P	Hex Bolt 3/8-16 x 1 1/2
44	1507P	Washer 7/32 x 3/4 x 16 Ga.	E	3025P	Hex Bolt 3/8-16 x 1 1/2
45	3635H	Relief Valve	F	3116P	Hex Bolt 5/16-18 x 1 1/2
46	6364R14A	Toggle Lever Assembly	G	3116P	Hex Bolt 5/16-18 x 1 1/2
47	1507P	Washer 7/32 x 1 1/8 x 3/4	H	3116P	Hex Bolt 5/16-18 x 1 1/2
48	6364R153	Pulley Guard and Stop	I	3116P	Hex Bolt 5/16-18 x 1 1/2
49	5867H	Wearing Label	J	3116P	Hex Bolt 5/16-18 x 1 1/2
49A	4527H	Gripco Nut #10-24	K	3064H	Flat Hd. Machine Screw 1/2-20 x 3/4
50	4620H	Belt Retainer	L	3031P	Hex Bolt 3/8-16 x 2 1/2
51	7830H	Idle Pulley	M	4527P	Hex Socket Headless Set Screw 1/2-20 x 5/16 C.P.
52	7831H	Belt Retainer	N	4511P	Hex Socket Headless Set Screw 5/16-24 x 3/8 C.P.
53	4707H	Idle Pulley	O	14P	Carriage Bolt 5/16-18 x 1 1/2
54	626A84	Idle Arm and Bushing	P	14P	Carriage Bolt 5/16-18 x 1 1/2
55	7448H1	Drilled Rivet 5/16 x 4	Q	14P	Carriage Bolt 5/16-18 x 1 1/2
56	5862H1	Idle Spring	R	3012P	Hex Bolt 5/16-18 x 1 1/2
57	7460H	U-Bolt	S	3012P	Hex Bolt 5/16-18 x 1 1/2
58	4699H1	Pulley	T	3012P	Hex Bolt 5/16-18 x 1 1/2
59	7830H	Belt Guide	U	6033P	Slotted Pan Hd. Mech. Screw w/Lockwasher 1/2-20 x 1
60	4707H	Chain Block	V	3112P	Slotted Pan Hd. Mech. Screw 1/2-20 x 3/8
61	5868H	Wearing Label	W	7412H	Caulking Pivotal Bolt
62	4707H	Chain Block	X	16P	Caulking Pivotal Bolt
63	1507P	Washer 21/32 x 2-1/8 x 16 Ga. (D-2 required)	Y	16P	Caulking Pivotal Bolt
			Z	3022P	Hex Bolt 3/8-16 x 1 1/2
				3960R	Instruction and Parts Book



REPAIR PARTS LAWN VAC Model Number 258.264190

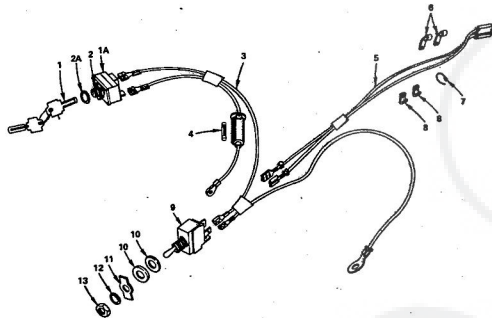
KEY NO.	PART NUMBER 258.264190	DESCRIPTION
1	8 86H	Howe Clamp 8"
2	025 - 04	Flex Hose 40" Long
3	59	Deflector Plate
4	STD 532505	3/8" - 20 x 1/4 Carriage Bolt
5	5516	3/8" Wing Nut
6	STD 551137	3/8" Med. Lockwasher
7	STD 551037	3/8" Med. Plain Washer
8	8 - 48	Mower Deck Boot
9	58	Decal, Caution
10	STD 551125	1/4" Med. Lockwasher
11	STD 541025	1/4" - 20 Hex Nut
12	63	Boot Clamp Plate
13	STD 533710	3/8" - 16 x 1 Carriage Bolt
14	024 - 04	Flex Hose 32" Long
15	8 - 118 - H	Howe Clamp 7"
16	20 - 7	Blower Cone
17	84	5/16" - 18 x 1 1/4 Thumb Screw
18	21	Blower Blade
19	STD 525015	3/8" - 16 x 1 1/4 Hex Bolt
20	STD 541050	1/2" - 13 Hex Nut
21	STD 551250	1/2" Internal Tooth Lockwasher
22	48	Canvas Bag
23	49	Canvas Bag Cover
24	56	Full Cord Fastener
25	51	24 x 24 x 48 Plastic Bag
26	STD 62307	5/16" - 24 x 7/8 Hex Bolt
27	STD 551231	5/16" Internal Tooth Lockwasher
28	57	Decal, Model No.
29	19	Blower Housing
30	80232	3 HP Briggs & Stratton Engine Model 80232
31	STD 253115	Type 0675 - 01
32	STD 551131	5/16" - 18 x 1 1/4 Hex Bolt
33	STD 541031	5/16" - 18 Hex Nut
34	STD 532722	3/8" - 16 x 2 1/2 Hex Bolt
35	STD 541037	3/8" - 16 Hex Nut
36	8 - 1 - 10	Tray and Mount Assembly
37	STD 525010	5/8" Support Ring
38	STD 551150	1/2" - 13 x 1 Hex Bolt
39	8 - 11 - 18	1/2" Med. Lockwasher
40	10189J - 8.74	Engine Support and Upright Owners Manual (Not Illustrated)

ORDER ALL REPLACEMENT PARTS FOR MODEL TT6951R FROM:

P E - C O
2907 SWEETEN CREEK ROAD
ASHVILLE, N. C. 28903

REPAIR PARTS

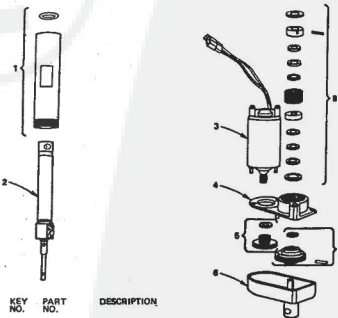
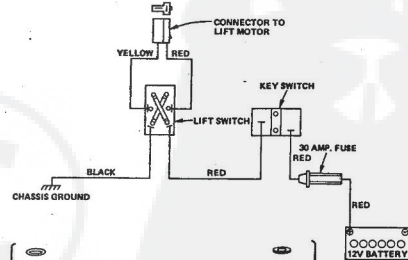
ELECTRIC 3-POINT HITCH-MODEL NO. TA157AR



KEY NO.	PART NO.	DESCRIPTION
1	45J	Key Set
1A	50J	Switch, Aux. Key (Inc. Key No. 1)
2	568P	Hex Nut 5/8 - 32
2A	221J	Internal Tooth Lockwasher
3	48J	Harness, Lift & Aux Switch
4	5347R	30 Amp. Fuse
5	5865R	Harness - Lift Motor
6	4171R	Insulated Clip
7	277R	Tie
8	2751R	Insulated Clip
9	5964R	Lift Switch
10	1518P	Washer 15/32 x 11/16 x 1/8 Ga.
11	5346R	Up Down Plate
12	7318R	Int. Tooth Lockwasher
13	566P	Hex Nut 15/32 - 32

SPECIAL APPLICATION LIFT LINK KIT-TA187AR
THIS KIT MUST BE USED TO ADAPT YOUR ELECTRIC 3-POINT HITCH WHEN USED WITH A ROTO-TILLER ATTACHMENT AND IS AVAILABLE THROUGH YOUR NEAREST ROPER DEALER.

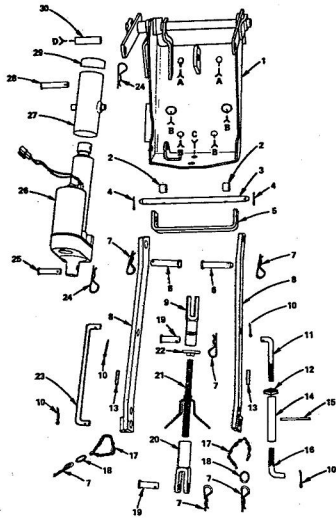
POWER ASSIST LIFT-MODEL NUMBER TA157AR



KEY NO.	PART NO.	DESCRIPTION
1	873A108	Cover Tube and "O" Ring Assembly
2	873A107	Jackscrew Assembly
3	873A113	Motor and Pinion Assembly
4	873A111	Front Housing Assembly
5	873A114	Gear, Intermediate
6	873A112	Rear Housing
7	873A110	Clutch Assembly
8	873A109	Brake Assembly
9	873A115	Set of Screws (4 each No. 10 - 24 x 5/8 Torx Pan Hd. Self Tapping Screws and 1 each No. 8 - 32 x 1 Phillips Hd. #4 Self Tapping Screw)
10	873A116	"O" Ring for Cover Tube

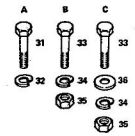
We suggest you take your Electric Act Authorized Roper Service Dealer should arise.

POWER ASSIST LIFT—MODEL NUMBER TA157AR

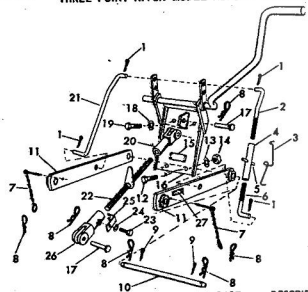


POWER ASSIST LIFT—MODEL NUMBER TA157AR

KEY NO.	PART NO.	DESCRIPTION
1	673A43	Attaching Plate Weldment
2	9227R	Spacer
3	1049R	Link Pin - Lower
4	2511P	Cotter Pin 3/16 x 1
5	8861R	Lower Hitch Bar Bracket
6	8956R	Hitch Bar Pin
7	4940M	Retainer Spring
8	673A41	Lower Hitch Bar
9	8975R	Clevis - R.H. Thread
10	2510P	Cotter Pin 5/32 x 1
11	8861R	Lift Link Upper - R.H.
12	8969R	Locknut, Lift Link - R.H.
13	6798H	Scotchcol
14	1525H	Link Adjustment Sleeve
15	9710M	Roll Pin
16	8962R	Lift Link Lower - R.H.
17	8867R	Chain
18	8868R	Ring
19	8940H	Clevis Pin
20	8936H	Clevis - L.H. Thread
21	673A42	Adjusting Screw and Handle
22	8974R	Adjusting Screw Locknut
23	8963R	Lift Link - L.H.
24	8339M	Retainer Spring
25	8878R	Actuator Pin - Lower
26	673A45	Electric Actuator
27	673A28	Actuator Adapter Weldment
28	8965R	Actuator Pin - Upper
29	8611R	Plastic Cap
30	9147R	Actuator Arms Bushing
31	3844P	Hex Bolt 1/2 - 13 x 1 - 1/4
32	1000P	*Lockwasher 1/2 Heavy
33	3006P	Hex Nut 7/16 - 14 x 1 - 1/4
34	1001P	*Lockwasher 7/16 Heavy
35	500P	Hex Nut 7/16 - 14 UNC
36	1619P	Washer 15/32 x 1 x 12 G.F.
37	63P	Carriage Bolt, Sq. Neck 3/8 - 16 x 3 - 1/2
38	1004P	*Lockwasher 3/8 Heavy
39	501P	*Hex Nut 3/8 - 16 UNC
—	8966R	Owners Manual
—	—	*STANDARD HARDWARE—PURCHASE LOCALLY



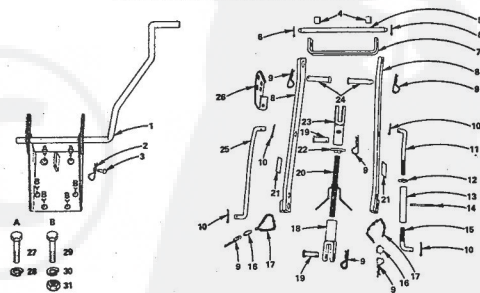
repair parts THREE POINT HITCH—MODEL NUMBER TA1331RO



KEY NO.	PART NO.	DESCRIPTION	KEY NO.	PART NO.	DESCRIPTION
1	2510P	Cotter Pin 5/32 x 1	15	634A29S	Hitch Mount Assembly with Lever
2	8924H	Lift Link, Upper - R.H.	16	8940H	Clevis Pin
3	1992H	Tumbuckle Spring	17	1000P	Lockwasher 1/2
4	656A10B	Tumbuckle, Spring end Roll Pin (See Key No's. 3 and 5)	18	3044P	Bolt, Hex 1/2 - 13 x 1 1/4
5	9710M	Roll Pin	19	8925H	Clevis, L.H., Thread
6	8923H	Lift Link, Lower - R.H.	20	8925H	Lift Link - L.H.
7	5012H	Chain, Ring and Cotter	21	673A42	Adjusting Screw and Handle
8	4940M	Retainer Spring	22	634A29A	Adjusting Screw and Handle
9	2511P	Cotter Pin 3/16 x 1	23	1002P	Bolt, Hex 3/4 - 20 x 3/8
10	1049R	Link Pin, Lower	24	1002P	Lockwasher 3/8 Heavy
11	634A290	Hitch Bar and Bushings, Lower	25	8975H	Spring, Adjusting Screw
12	3035P	Bolt, Hex 7/16 - 14 x 1 1/4	26	8935H	Clevis, R.H. Thread
13	1001P	Lockwasher 7/16	27	6798H	Scotchcol
14	500P	Nut, Hex 7/16 - 14	—	5224M	Drive Stud (For Model Number Plate)
			—	3699R	Owners Manual

REPAIR PARTS

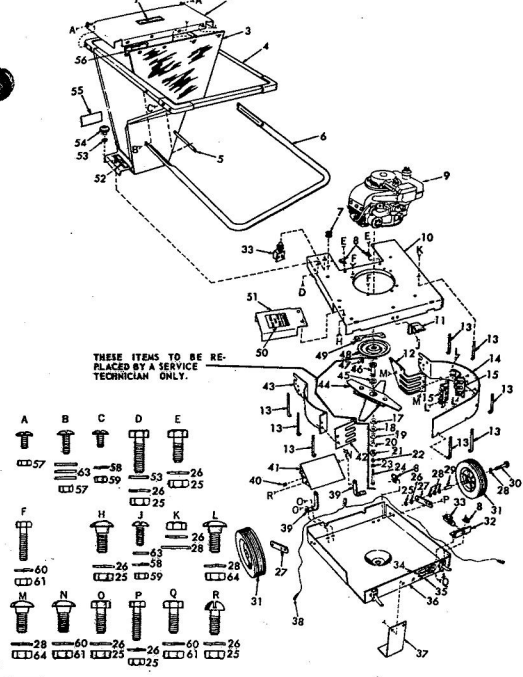
MANUAL 3-POINT HITCH—MODEL NUMBER TA207AR



KEY NO.	PART NO.	DESCRIPTION	KEY NO.	PART NO.	DESCRIPTION
1	673A44	Attaching Plate and Lift Lever	18	8938H	Clevis - L.H. Thread
2	4920M	Retainer Spring	19	8940H	Clevis Pin
3	8978R	Transport Pin	20	673A42	Adjusting Screw and Handle
4	9227R	Spacer	21	6798H	Scotchcol
5	1049R	Link Pin Lower	22	8974R	Adjusting Screw Locknut
6	2511P	Cotter Pin 3/16 x 1	23	8975R	Clevis - R.H. Thread
7	8861R	Lower Hitch Bar Bracket	24	8956R	Hitch Bar Pin
8	673A41	Lower Hitch Bar and Bushing	25	8964R	Lift Link - L.H.
9	4940M	Retainer Spring	26	9773R	Lever Stop Bracket
10	2510P	Cotter Pin 5/32 x 1	27	3044P	Hex Bolt 1/2 - 13 x 1 - 1/4
11	2510P	Lift Link Upper - R.H.	28	1000P	*Lockwasher 1/2 Heavy
12	520P	Hex Jam Nut 1/2 - 13	29	3035P	Hex Bolt 7/16 - 14 x 1 - 1/4
13	1525H	Link Adjustment Sleeve	30	1001P	*Lockwasher 7/16 Heavy
14	9710M	Roll Pin	31	500R	Hex Nut 7/16 - 14
15	8962R	Lift Link Lower - R.H.	—	8997R	Owners Manual
16	8868R	Ring	—	—	*STANDARD HARDWARE—PURCHASE LOCAL
17	8867R	Chain			

repair parts

ORGANIC SHREDDER MODEL NO. H30031R0

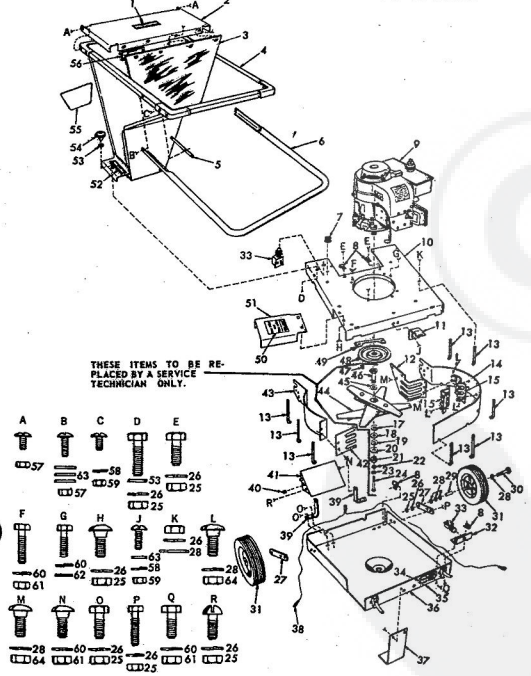


ORGANIC SHREDDER MODEL NO. H30031R0

KEY NO.	PART NO.	DESCRIPTION	KEY NO.	PART NO.	DESCRIPTION
1	3440R	Scotchcol (caution)	46	1376R	Mandrel
2	3308R	Guard	47	4919H	Woodruff Key 5
3	2908R	Rubber Deflector	48	2611R	Seal Protector
4	658A63	Hopper	49	2052R	Breaker Angle
5	3497R	Handle Support	50	3437R	Scotchcol (caution)
6	3514R	Handle	51	3513R	Deflector
7	3425R	Grommet	52	3450R	Scotchcol (caution)
8	2521R	Insulated Clip	53	1557P	Washer 13/22 x 16
9	LAV35-40739K	Engine 3/4 H.P., Tecumseh	54	1417R	Holddown Knob
10	3522R	Cover	55	3516R	Scotchcol (caution)
11	3363R	Lower Handle Spring	56	3439R	Scotchcol (caution)
12	3512R	Heavy Breaker	57	1605H	Locknut 1/2 x 1
13	3508R	Hook Bolt	58	1505P	Washer 9/22 x 1
14	3519R	Long Wrapper	59	503P	Hex Nut 1/2 x 20
15	1402R	Breaker	60	11003P	Lockwasher 3/8
16	2941R	Drive Washer	61	304P	Hex Nut 5/16-11
17	2942R	Rubber Washer	62	1505P	Washer 9/22 x 1
18	1482R	Compression Washer	64	5394H	Locknut 3/8-16
19	1380R	Nut	A	3253P	Pin Hd. Phillip Screw 1/20 x 1/2
20	1484R	Mandrel Washer	B	3275P	Pin Hd. Phillip Screw 1/20 x 1
21	1004P	Lockwasher 3/8	C	3253P	Pin Hd. Phillip Screw 1/20 x 1
22	3246P	Hex Bolt 3/8-24 x 2 1/2 H.T.	D	3252P	Hex Bolt 3/8-16 Full Thread
23	1380R	Nut	E	3021P	Hex Bolt 5/16-11
24	3246P	Hex Bolt 3/8-24 x 2 1/2 H.T.	F	3012P	Hex Bolt 5/16-11
25	501P	Hex Nut 3/8-16	G	3010P	Hex Bolt 5/16-11
26	1004P	Lockwasher 3/8	H	199	Carriage Bolt 3/8
27	3498R	Wheel Bracket	J	3253P	Pin Hd. Phillip Screw 1/20 x 1/2
28	1513P	Washer 13/22 x 13/16 x 16 Ga.	K	501P	Hex Nut 3/8-16
29	2967R	Wheel Bushing	L	19P	Carriage Bolt 3/8
30	3031P	Hex Bolt 3/8-16 x 2 1/2	M	16P	Carriage Bolt 5/8
31	2613R	Tire and Wheel	N	2022P	Hex Bolt 3/8-16
32	3499R	Safety Switch Bracket	O	3022P	Hex Bolt 3/8-16
33	2520R	Safety Switch	P	3010P	Hex Bolt 5/16-11
34	1413R	Model Plate	Q	3010P	Hex Bolt 5/16-11
35	1413R	Model Plate	R	3242P	Truss Slotted H. Screw 3/8-16 x 3
36	658A46	Clamp Fasteners & Base		3529R	Owners Manual
37	3307R	Ground Pad			
38	3503R	Shorting Wire			
39	3506R	Pivot Shaft Support			
40	3502R	Grommet			
41	658A47	Pivot Shaft Waldment			
42	3508R	Air Stripper			
43	3509R	Short Wrapper			
44	658A29	Blade Waldment			
45	1521R	Wear Washer			

repair parts

ORGANIC SHREDDER--MODEL NO. H60031R0

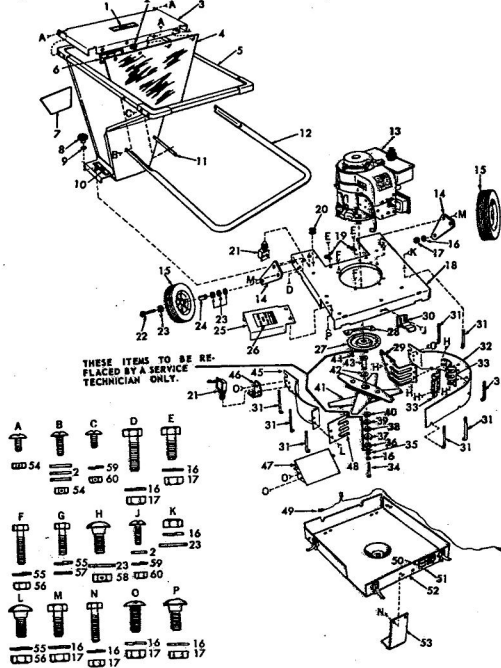


ORGANIC SHREDDER--MODEL NO. H60031R0

KEY NO.	PART NO.	DESCRIPTION	KEY NO.	PART NO.	DESCRIPTION
1	3440R	Scotchcol (caution)	46	1377R	Mandrel
2	3308R	Guard	47	4919H	Woodruff Key
3	2908R	Rubber Deflector	48	2612R	Seal Protector
4	658A64	Hopper	49	2052R	Breaker Angle
5	3497R	Handle Support	50	3437R	Scotchcol (caution)
6	3514R	Handle	51	3513R	Deflector
7	3425R	Grommet	52	3450R	Scotchcol (caution)
8	2521R	Insulated Clip	53	1557P	Washer 13/22 x 16
9	V60-7025H	Engine (6 H.P., Tecumseh)	54	1417R	Holddown Knob
10	3522R	Cover	55	3516R	Scotchcol (caution)
11	3363R	Lower Handle Spring	56	3439R	Scotchcol (caution)
12	3512R	Heavy Breaker	57	1605H	Locknut 1/2 x 1
13	3508R	Hook Bolt	58	1505P	Washer 9/22 x 1
14	3519R	Long Wrapper	59	503P	Hex Nut 1/2 x 20
15	1402R	Breaker	60	11003P	Lockwasher 3/8
16	2941R	Drive Washer	61	304P	Hex Nut 5/16-11
17	2942R	Rubber Washer	62	1505P	Washer 9/22 x 1
18	1422R	Compression Washer	63	1505P	Washer 9/22 x 1
19	1482R	Nut Lock Plate	64	5394H	Locknut 3/8-16
20	1380R	Nut	A	3253P	Pin Hd. Phillip Screw 1/20 x 1/2
21	1484R	Mandrel Washer	B	3275P	Pin Hd. Phillip Screw 1/20 x 1
22	1004P	Lockwasher 3/8	C	3253P	Pin Hd. Phillip Screw 1/20 x 1
23	3246P	Hex Bolt 3/8-24 x 2 1/2 H.T.	D	3252P	Hex Bolt 3/8-16 Full Thread
24	3246P	Hex Bolt 3/8-24 x 2 1/2 H.T.	E	3021P	Hex Bolt 5/16-11
25	501P	Hex Nut 3/8-16	F	3012P	Hex Bolt 5/16-11
26	1004P	Lockwasher 3/8	G	3010P	Hex Bolt 5/16-11
27	3498R	Wheel Bracket	H	199	Carriage Bolt 3/8
28	1513P	Washer 13/22 x 13/16 x 16 Ga.	J	3253P	Pin Hd. Phillip Screw 1/20 x 1/2
29	2967R	Wheel Bushing	K	501P	Hex Nut 3/8-16
30	3031P	Hex Bolt 3/8-16 x 2 1/2	L	19P	Carriage Bolt 3/8
31	2613R	Tire and Wheel	M	16P	Carriage Bolt 5/8
32	3499R	Safety Switch Bracket	N	2022P	Hex Bolt 3/8-16
33	2520R	Safety Switch	O	3022P	Hex Bolt 3/8-16
34	1413R	Model Plate	Q	3010P	Hex Bolt 5/16-11
35	1413R	Model Plate	R	3242P	Truss Slotted H. Screw 3/8-16 x 3
36	658A46	Clamp Fasteners & Base		3530R	Owners Manual
37	3307R	Ground Pad			
38	3503R	Shorting Wire			
39	3506R	Pivot Shaft Support			
40	3502R	Grommet			
41	658A47	Pivot Shaft Waldment			
42	3508R	Air Stripper			
43	3509R	Short Wrapper			
44	658A30	Blade Waldment			
45	1521R	Wear Washer			

repair parts

ORGANIC SHREDDER--MODEL NO. H60042R0

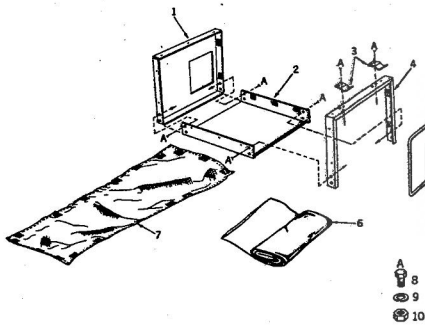


ORGANIC SHREDDER--MODEL NO. H60042R0

KEY NO.	PART NO.	DESCRIPTION	KEY NO.	PART NO.	DESCRIPTION
1.	346R	Scotchcol (Caution)	41.	658A20	Blade Weldment
2.	150SP	Washer 9/32x1/2x14 Ga.	42.	1521R	Wear Washer
3.	350R	Swivel	43.	1377R	Mandrel
4.	290R	Rubber Deflector	44.	4919H	Woodruff Key 5/32x5/8 H. T.
5.	658A44	Hopper	45.	3520R	Short Wrapper
6.	349R	Scotchcol (Caution)	46.	2718R	Safety Switch Support
7.	3314R	Scotchcol (Horse Pile)	47.	658A47	Pivot Shaft Weldment
8.	1417R	Holddown Knob	48.	3500R	Air Stripper
9.	1557P	Washer 13/32x13/16x11 Ga.	49.	3417R	Skirting Wire
10.	3450R	Scotchcol (Caution)	50.	---	Model Plate
11.	3477R	Handle Support	51.	1418R	Decal (Point Pending)
12.	3514R	Handle	52.	658A86	Clamp Fasteners & Base
13.	V60-70252H	Engine (6, H.P. Tecumseh)	53.	3507R	Ground Pad
14.	5414R	Wheel Bracket	54.	1609H	Locknut 1/2-20
15.	2613R	Tire and Wheel	55.	1002P	Lockwasher 5/16
16.	1004P	Lockwasher 3/8	56.	504P	Hex Nut 5/16-18
17.	501P	Hex Nut 3/8-18	57.	1537P	Washer 11/32x11/16x16 Ga.
18.	5413R	Cover	58.	6394H	Locknut 2/8-16
19.	2521R	Insulated Clip	59.	1002P	Lockwasher 1/2
20.	3423R	Genesee	60.	503P	Hex Nut 1/2-20
21.	2220R	Safety Switch	A.	3233P	Pan Hd. Phillips Mech. Screw 1/2-20 x 1
22.	3031P	Hex Bolt 3/8-16x2 1/2	B.	3235P	Pan Hd. Phillips Mech. Screw 1/2-20 x 1
23.	1515P	Washer 13/32x13/16x16 Ga.	C.	3233P	Pan Hd. Phillips Mech. Screw 1/2-20 x 1
24.	2947R	Wheel Bushing	D.	3232P	Hex Bolt 3/8-16x 1 1/8 Full Thread
25.	3515R	Deflector	E.	3021P	Hex Bolt 3/8-16x 3/4
26.	3437R	Scotchcol (Caution)	F.	3012P	Hex Bolt 5/16-18x 3/4
27.	2612R	Seal Protector	G.	3010P	Carriage Bolt 2/8-16x 1/2
28.	2032R	Breaker Angle	H.	199P	Pan Hd. Phillips Mech. Screw 1/2-20 x 1/2
29.	3512R	Heavy Breaker	I.	3233P	Hex Nut 3/8-16
30.	3505R	Lower Handle Spring	J.	3233P	Hex Nut 3/8-16
31.	3300R	Hook Bolt	K.	501P	Hex Nut 3/8-16
32.	3519R	Long Wrapper	L.	161P	Carriage Bolt 5/16-16x 1/2
33.	1402R	Drive Washer	M.	3022P	Hex Bolt 3/8-16x 1
34.	3246P	Hex Bolt 3/8-24x25 H. T.	N.	3021P	Hex Bolt 3/8-16x 3/4
35.	1402R	Drive Washer	O.	3242P	Tread Hd. Slotted Mech. Screw 3/8-16x 1/2
36.	1380R	Nut	P.	199P	Carriage Bolt 3/8-16x 1/2
37.	1402R	Drive Washer		5421R	Owners Manual
38.	2942R	Rubber Washer			
39.	2941R	Drive Washer			
40.					

PARTS LIST

BAGGING ATTACHMENT--MODEL NO. HA0232R0

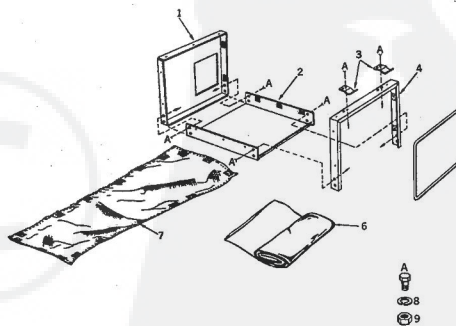


KEY NO.	PART NO.	DESCRIPTION
1	658A59	Net Support Rear And Hook Tape
2	658A58	Net Support Base And Hook Tape
3	4251R	Spring
4	658A57	Net Support Front And Hook Tape
5	4256R	Bag Frame
6	---	Package of Five Plastic Bags
7	4258R	Net
8	3114P	*Hex Bolt 1/4 - 20 x 1/2
9	1002P	*Lockwasher 1/4"
10	503P	*Hex Nut 1/4 - 20 UNC
---	5446R	Owners Manual

*STANDARD HARDWARE--PURCHASE LOCALLY
*PURCHASE ADDITIONAL PLASTIC BAGS FROM YOUR LOCAL BOPER DEALER

PARTS LIST

BAGGING ATTACHMENT MODEL NUMBER HA0231R



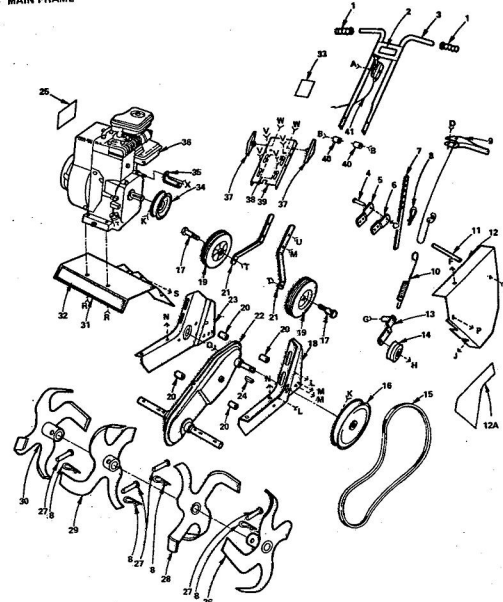
KEY NO.	PART NO.	DESCRIPTION
1	658A57	Net Support Rear & Hook Tape
2	658A58	Net Support Base & Hook Tape
3	4251R	Spring
4	658A59	Net Support Front & Hook Tape
5	4256R	Bag Frame
6	---	Package of Five Plastic Bags
7	4258R	Net
8	1002P	Lockwasher 1/4"
9	503P	Hex Nut 1/4-20 x 1/2
A	3114P	Hex Bolt 1/4-20 x 1/2
---	4251R	Instruction Sheet & Parts List

PURCHASE ADDITIONAL PLASTIC BAGS FROM YOUR DEALER.

REPAIR PARTS

ROPER 2 H.P. MINI-TILLER-MODEL NO. D2117AR

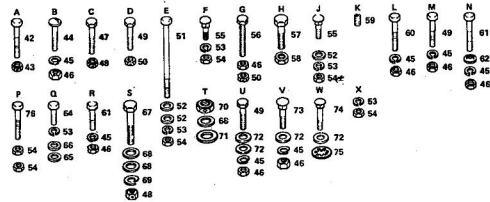
MAIN FRAME



ROPER 2 H.P. MINI-TILLER-MODEL NO. D2117AR

KEY NO.	PART NO.	DESCRIPTION	KEY NO.	PART NO.	DESCRIPTION
1	9270R	Handle Grip	40	9237R	Bushing - Handle Spacer
2	9621R	Decal - Roper	41	9214R	Throttle Control
3	914A4B	Handle Weldment	42	3002SP	*Fin. Hex Bolt 1/4 - 20 x 1 - 1/4
4	9511R	Drilled Rivet	43	1605H	Gripco Center Lock Nut 1/4 - 20 UNF
5	9192R	Drag Stake Bracket - R.H.	44	3337P	Socket Truss Hd. Bolt 5/16 - 18 x 3/4
6	9191R	Drag Stake Bracket - L.H.	45	1003P	*Lockwasher 5/16
7	9193R	Drag Stake	46	504P	*Hex Nut 5/16 - 18 UNC
8	4921H	Retainer Spring	47	3342P	Fin. Hex Bolt 3/8 - 24 x 1 - 1/4 Gr. 5
9	974A5B	Clutch Control Assembly	48	7810H	Gripco Center Lock Nut 3/8 - 24 UNF
10	9241R	Spring	49	3017P	*Fin. Hex Bolt 1/4 - 20 x 4 - 1/2
11	9183R	Soft Spacer	50	1685H	Gripco Center Lock Nut 5/16 - 18
12	9653R	Belt Guard	51	3335P	Fin. Hex Bolt 1/4 - 20 x 4 - 1/2
12A	9617R	Decal - Stripe	52	1506P	Washer 9/32 x 6/8 x 18 Ga.
13	674A30	Idle Arm Weldment	53	1002P	*Lockwasher 1/4
14	9175R	Idle Pulley	54	502P	*Hex Nut 1/4 - 20 UNC
15	9179R	V-Belt	55	10P	*Sq. Nc. Carriage Bolt 1/4 - 20 x 1/2
16	9174R	Transmission Sheave	56	3343P	Fin. Hex Bolt Full Thd. 5/16 - 18 x 2
17	4858H	Shoulder Bolt	57	3025P	*Fin. Hex Bolt 3/8 - 18 x 1 - 1/4
18	9000R	Engine Bracket - L.H.	58	508P	*Hex Nut 3/8 - 16 UNC
19	9189R	Wheel	59	4537P	*Hex Forged Socket Headless Set Screw C.P. 5/16 - 18 x 3/8
20	9173R	Soft Spacer	60	3017P	*Fin. Hex Bolt 5/16 - 18 x 2 - 1/2
21	9188R	Wheel Bracket	61	3013P	*Fin. Hex Bolt 5/16 - 18 x 1 - 1/2
22	674A15	Transmission	62	9235R	Push-On Speed Nut
23	9001R	Engine Bracket - R.H.	64	3345P	Fin. Hex Bolt 1/4 - 28 x 3/4 Gr. 5
24	3949M	So. Key	65	1584P	Washer 9/32 x 7/8 x 12 Ga.
25	9691R	Decal - Engine	66	1858P	Washer 9/32 x 1 - 1/4 x 10 Ga.
26	674A36	Tire Weldment Outer - L.H.	67	3347P	Fin. Hex Bolt 3/8 - 24 x 3/4 Gr. 5
27	9194R	Drilled Rivet	68	1857P	Washer 13/32 x 1 1/8 x 11 Ga.
28	674A34	Tire Weldment Inner - L.H.	69	1004P	*Lockwasher 3/8
29	674A35	Tire Weldment Inner - R.H.	70	514P	Nylon Nut 3/8 - 18 UNC
30	674A37	Tire Weldment Outer - R.H.	71	1545P	Washer 17/32 x 1 x 10 Ga.
31	9055R	Tire Shield	72	1511P	Washer 3/8 x 7/8 x 14 Ga.
32	9619R	Decal - Roper Mini-Tiller	73	18P	*Sq. Nc. Carriage Bolt 5/16 - 18 x 3/4
33	9614R	Decal - Handle Panel	74	62P	*Sq. Nc. Carriage Bolt Shd. Shoulder 5/16 - 18 x 1 - 1/4
34	9176R	Engine Sheave	75	1410P	Heavy Internal Lockwasher Type A 5/16
35	9184R	Belt Guard Bracket	76	3147P	*Fin. Hex Bolt 1/4 - 20 x 2
36	90102	Engine, 2 H.P. Briggs and Stratton Type No. 0377-02		9626R	Owners Manual
37	9210R	Knob			
38	9224R	Decal - Instructions			
39	9209R	Handle Panel			

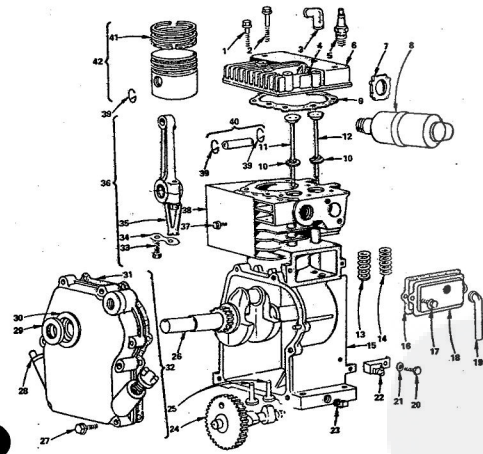
*STANDARD HARDWARE-PURCHASE LOCALLY



ROPER 2 H.P. MINI-TILLER-MODEL NO. D2117AR
ENGINE-MODEL NUMBER 60102 TYPE 0377-02

CYLINDER & CRANKCASE

ALL ENGINE PARTS MUST BE PURCHASED THROUGH AND SERVICE PERFORMED BY YOUR LOCAL BRIGGS AND STRATTON DEALER.



ROPER 2 H.P. MINI-TILLER-MODEL NO. D2117AR
ENGINE-MODEL NUMBER 60102 TYPE 0377-02

CYLINDER & CRANKCASE

KEY NO.	PART NO.	DESCRIPTION
1	93111	Screw, Cylinder Head 1 - 15/16 L.
2	93113	Screw, Cylinder Head 2 - 5/16 L.
3	6650B	Elbow, Sock Plug
4	210812	Head, Cylinder
5	288890	Pin, Spark
6	220581	Cover, Cylinder Head
7	91811	Locknut, Exhaust Elbow
8	295905	Muffler, Exhaust
9	27670	**Gasket, Cylinder Head
10	65312	Retainer, Valve Spring
11	296676	Valve, Exhaust
12	296677	Valve, Intake
13	26479	Spring, Exhaust Valve
14	260552	Spring, Intake Valve
15	266501	Cylinder Assembly
16	27549	**Gasket, Valve Cover
17	93394	Screw, Breather Mounting
18	294178	Breather, Valve Chamber
19	292217	Tube, Breather and Air Cleaner Gasket
20	93002	Screw, Set
21	66432	Washer
22	294502	Bracket, Control Wire Casing
23	93448	Plug, Pipe
24	210453	Gear, Cam
25	230173	Tapset, Valve
26	282248	Crankshaft
27	93922	Screw, Crankcase Cover Mounting
28	66768	93856 Stud, 90822 Lockwasher
29	88650	Plug, Oil Filter
30	293706	Seal, Oil
31	27856	Bushing, Crankcase Cover
32	294305	**Gasket, Crankcase Cover Assembly
33	92296	Screw, Connecting Rod
34	220460	Lock, Connecting Rod Screw
35	220459	Diaper, Connecting Rod
36	294300	Rod Assembly, Connecting (Inc. Key No's. 33, 34 & 35)
37	93042	Screw, Cylinder Shield Mounting
38	220678	Shield, Cylinder
39	28026	Lock, Piston Pin
40	298309	Pin Assembly, Piston (Inc. Key No. 39)
41	294232	Ring Set, Piston
42	295687	Piston Assembly (Inc. Key No's. 39 & 41)

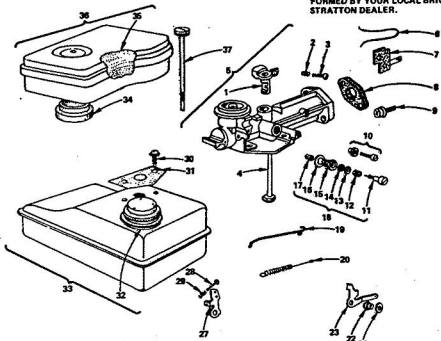
*SPECIAL TOOLS REQUIRED TO INSTALL
**INCLUDED IN GASKET SET NO. 237275

SPARK ARRESTING MUFFLER
302617 Low Tone Muffler (1 required)
391911 Cap (1 required)
93705 Screw (4 required)

Click Here to upgrade to Unlimited Pages and Expanded Features

**ROPER 2 H.P. MINI-TILLER-MODEL NO. D2117AR
ENGINE-MODEL NUMBER 60102 TYPE 0377-02**

CARBURETOR



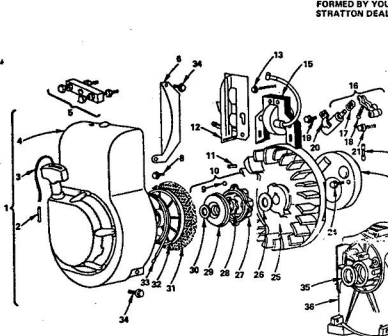
ALL ENGINE PARTS MUST BE PURCHASED THROUGH AND SERVICE PERFORMED BY YOUR LOCAL BRIGGS AND STRATTON DEALER.

KEY NO.	PART NO.	DESCRIPTION	KEY NO.	PART NO.	DESCRIPTION
1	210719	Throttle, Carburetor	18	260040	Link, Governor
2	280575	Spring, Throttle Adjusting	20	280823	Spring, Governor
3	92524	Screw, H.H. Machine	21	220952	Washer
4	296476	Pipe, Fuel	22	236531	Bushing, Bell Crank
5	381338	Carburetor Assembly (Inc. Key No's. 1, 2, 3, 4, 10 & 18)	23	221147	Crank, Bell
6	381115	Wire, Ground	27	220578	Lever, Speed Adjuster
7	298110	Plate Assembly, Stop Switch Insulated	28	92624	Screw, R.H. Machine
8	27355	Gasket, Carburetor	29	260575	Spring, Throttle Adjusting
9	93257	Screw, Carburetor Mounting	30	93341	Screw, Fuel Tank Mounting
10	93177	Screw, Bell Crank Mounting	31	27424	Gasket, Fuel Tank Mounting
11	23433	Valve, Needle	32	38234	Cap, Fuel Tank
12	25338	Spring, Needle Valve	33	291834	Tank Assembly, Fuel (Inc. Key No. 32)
13	22235	Washer, Needle Valve	34	27690	Gasket, Air Cleaner Mounting
14	92578	Packing, Needle Valve	35	27857	Element, Air Cleaner
15	23431	Nut, Needle Valve	36	296767	Cleaner Assembly, Air (Inc. Key No. 35)
16	92787	Gasket, Needle Valve Nut	37	93322	Screw, Air Cleaner
17	23432	Seat, Needle Valve			
18	290659	Needle Valve Kit (Inc. Key No's. 11, 12, 13, 14, 15, 16 & 17)			

*INCLUDED IN GASKET SET NO. 297275

**ROPER 2 H.P. MINI-TILLER-MODEL NO. D2117AR
ENGINE-MODEL NUMBER 60102 TYPE 0377-02**

STARTER



ALL ENGINE PARTS MUST BE PURCHASED THROUGH AND SERVICE PERFORMED BY YOUR LOCAL BRIGGS AND STRATTON DEALER.

KEY NO.	PART NO.	DESCRIPTION	KEY NO.	PART NO.	DESCRIPTION
1	294258	Starter Assembly, Rewind (Inc. Key No's. 2, 3, 4, 32 & 33)	18	20018	Spring, Breaker Arm
2	230228	Pin, Starter Grip	19	93042	Screw, Condenser Clamp Mounting
3	230228	Pin, Rewind Starter	20	220477	Clamp, Condenser
4	284283	Housing, Blower	21	93321	Screw, Breaker Arm Mounting
5	13069	Pulley, Flywheel	22	65704	Plunger, Breaker Point
6	220271	Guard, Flywheel	23	220366	Cover, Breaker Point and Condenser
7	93370	Screw, Rotating Screen Mounting	24	93014	Screw, Dust Cover Mounting
8	93370	Ball, Clutch	25	296884	Flywheel, Magneto
9	93370	Clutch Assembly, Rewind Starter (Inc. Key No's. 8, 27, 28, 29 & 30)	26	220956	Washer, Spring
10	268510	Key, Flywheel	27	211383	Housing, Starter Clutch
11	91760	Blade, Governor	28	298436	Washer, Rewind Starter
12	287310	Screw, Armature Mounting	29	221553	Washer, Clutch Retainer
13	93361	Armature, Magneto	30	96238	Washer, Ratchet Spooling
14	298502	Breaker Pump and Condenser Set (Inc. Key No's. 17 & 18)	31	221081	Screws, Rotating
15	298502	Breaker Pump and Condenser Set (Inc. Key No's. 17 & 18)	32	280117	Pulley, Rewind Starter
16	260374	Spring, Connector	33	294303	Spring, Rewind Starter
			34	93158	Screw, Blower Housing Mounting
			35	88950	Nut, Oil
			36	298561	Cylinder Assembly (Inc. Key No. 35)

REPAIR PARTS

ROPER 3 H.P. MINI-TILLER-MODEL NO. D3217AR

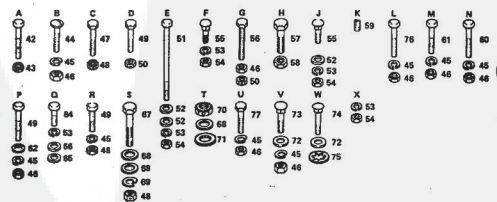
MAIN FRAME



ROPER 3 H.P. MINI-TILLER-MODEL NO. D3217AR

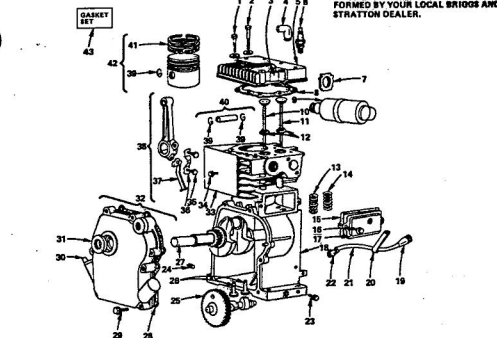
KEY NO.	PART NO.	DESCRIPTION	KEY NO.	PART NO.	DESCRIPTION
1	9268R	Handle Grip	40	9237R	Bushing - Handle Spacer
2	92519	Decal - Roper	41	92148	Throttle Control
3	674447	Handle Weldment	42	3117P	Pin, Hex Bolt 1/4 - 20 x 1 - 1/2
4	92519	Decal - Roper	43	1605H	Gripso Center Lock Nut 1/4 - 20 UNC
5	9192R	Drag Stake Bracket - R.H.	44	3337P	Slotted Truss Hd. Bolt 5/16 - 18 x 3/4
6	9191R	Drag Stake Bracket - L.H.	45	1003P	*Lockwasher 5/16
7	9191R	Drag Stake	46	504P	*Hex Nut 5/16 - 18 UNC
8	4921H	Retainer Spring	47	3342P	Pin, Hex Bolt 3/8 - 24 x 1 - 1/4 Gr. 5
9	674449	Clutch Control Assembly	48	7810H	Gripso Center Lock Nut 3/8 - 24 UNC
10	9241R	Spring	49	3013P	*Pin, Hex Bolt 5/16 - 18 x 1 - 1/2
11	9271R	Soft Starter	50	1605H	Gripso Center Lock Nut 5/16 - 18
12	9054R	Belt Guard	51	3538P	*Pin, Hex Bolt 1/4 - 20 x 5
12A	9618R	Decal - Stripe	52	1505P	*Washer 9/32 x 5/8 x 16 Ga.
13	674430	Idle Arm Weldment	53	1002P	*Lockwasher 1/4
14	9178R	Idle Pulley	54	503P	*Hex Nut 1/4 - 20 UNC
15	9159R	V-Belt	55	10P	*Sq. Nk. Carriage Bolt 1/4 - 28 x 1 1/2
16	9175R	Transmission Sheave	56	3343P	Pin, Hex Bolt Full Thd. 5/16 - 18 x 2
17	4899H	Shoulder Bolt	57	3025P	Pin, Hex Bolt 3/8 - 16 x 1 - 1/4
18	9052R	Engine Bracket - L.H.	58	508P	*Hex Arm Nut 3/8 - 16 UNC
19	9187R	Wheel	59	4537P	*Hex Forged Socket Headless Set Screw 5/16 - 18 x 2/8
20	9173R	Soft Spacer	60	3017P	*Pin, Hex Bolt 5/16 - 18 x 2 - 1/2
21	9160R	Wheel Bracket	61	3012P	*Pin, Hex Bolt 5/16 - 18 x 1 - 1/4
22	674421	Transmission	62	9239R	Pin-On Speed Nut
23	9003R	Engine Bracket - R.H.	64	3348P	Pin, Hex Bolt 1/4 - 28 x 3/4 Gr. 5
24	2949M	Sq. Key	65	1584P	Washer 9/32 x 7/8 x 12 Ga.
25	9829R	Decal - Engine	66	1585P	Washer 9/32 x 1 - 1/4 x 16 Ga.
26	674440	Time Weldment Outer - L.H.	67	2347P	Pin, Hex Bolt 3/8 - 24 x 2 Gr. 5
27	4920H	Drilled Rivet	68	1557P	Washer 13/32 x 13/16 x 11 Ga.
28	674428	Time Weldment Inner - L.H.	69	1304P	*Lockwasher 3/8
29	674428	Time Weldment Inner - R.H.	70	514P	Nylok Nut 3/8 - 16 UNC
30	674441	Time Weldment Outer - R.H.	71	1545P	Washer 17/32 x 16 Ga.
31	9058R	Time Shield	72	1511P	Washer 3/8 x 7/8 x 14 Ga.
32	9820R	Decal - Roper Mini-Tiller	73	165P	*Sq. Nk. Carriage Bolt 5/16 - 18 x 3/4
33	9615R	Decal - Handle Panel	74	62P	*Sq. Nk. Carriage Bolt Sh. Shoulder 5/16 - 18 x 1 - 1/4
34	9177R	Engine Shield	75	1410P	Heavy Internal Lockwasher Type A 5/16
35	9184R	Belt Guard Bracket	76	3010P	*Pin, Hex Bolt 5/16 - 18 x 3/4
36	80022	Engine, 3 H.P. Briggs and Stratton Type No. 0781-01	77	3011P	*Pin, Hex Bolt 5/16 - 18 x 1
37	9210R	Knob	78	9627R	Owners Manual
38	9225R	Decal - Instructions			
39	9209R	Handle Panel			
39A	3148R	Retainer Spring			

*STANDARD HARDWARE-PURCHASE LOCALLY



ROPER 3 H.P. MINI-TILLER-MODEL NO. D3217AR
ENGINE-MODEL NUMBER 80202 TYPE 0781-01

CYLINDER & CRANKCASE



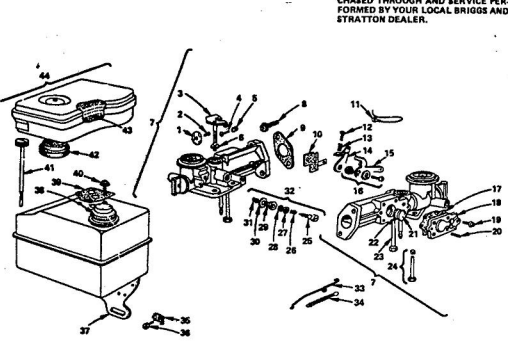
KEY NO.	PART NO.	DESCRIPTION	KEY NO.	PART NO.	DESCRIPTION
1	93111	Screw, Cylinder Head 1 - 15/16 L.	25	230173	Tapset, Valve
2	93113	Screw, Cylinder Head 2 - 5/16 L.	26	261298	Crankshaft
3	210812	Head, Spark Plug	27	261298	Gasket, Crankcase
4	66538	Cover, Cylinder Head	29	93032	Screw, Crankcase Cover Mtg.
5	220581	Plug, Spark	30	62788	Pin, Oil Filter
6	298909	Pin, Seal	31	89650	Seal, Oil
7	81811	Locknut, Exhaust Elbow	32	294356	Cowl As'y., Crankcase (Inc. Key No. 1, 28, 30 & 31)
8	27870	Gasket, Cylinder Head	33	220478	Screw, Cylinder Shield Mtg.
9	295906	Muffler, Exhaust	34	93042	Screw, Connecting Rod
10	298676	Valve, Exhaust	35	93296	Lock, Connecting Rod Screw
11	298677	Valve, Intake	36	220156	Dipser, Connecting Rod
12	63312	Retainer, Valve Spring	37	220170	Rod As'y., Connecting Rod (Inc. Key No. 1, 35, 37 & 38)
13	29479	Spring, Exhaust Valve	38	294367	Pin As'y., Piston (Inc. Key No. 40)
14	292522	Spring, Intake Valve	41	294522	Ring Set, Piston (Inc. Key No. 40 & 42)
15	27549	Gasket, Valve Cover	42	295587	Piston As'y., (Inc. Key No. 40 & 42)
16	93294	Screw, Breather Mtg.	43	297275	Gasket Set
17	294178	Breather, Valve Chamber			
18	296581	Cylinder As'y.			
19	67628	Grommet, Breather Tube			
20	221278	Tube, Breather			
21	296534	Grommet, Breather Tube			
22	86578	Screw, Tank Bracket Mtg.			
23	93343	Plug, Pipe 1/4" Std. Sq. Hd.			
24	91249	Plug, Pipe 1/4" Std. Sq. Hd.			
25	210453	Gear, Cam			

SPARK ARRESTING MUFFLER (OPTIONAL)
802811 Low Tone Muffler
382190 Spark Arrestor As'y. and Screws

**INCLUDED IN GASKET SET NO. 297275

ROPER 3 H.P. MINI-TILLER-MODEL NO. D3217AR
ENGINE-MODEL NUMBER 80202 TYPE 0781-01

CARBURETOR

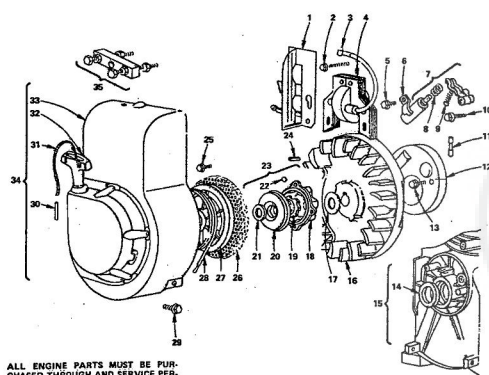


KEY NO.	PART NO.	DESCRIPTION	KEY NO.	PART NO.	DESCRIPTION
1	211203	Valve, Throttle	23	296611	Pipe, Plastic Fuel
2	93488	Screw, Throttle Valve Mtg.	24	381813	Fuel Pipe and Clip As'y.
3	297981	Shaft & Lever, Throttle	25	23433	Valve, Needle
4	92834	Screw, Rd. Hd. Machine	26	26236	Spring, Needle Valve
5	260575	Spring, Speed & Throttle Adj.	27	22235	Washer, Needle Valve
6	270187	Washer, Throttle Shaft	28	66978	Washer, Needle Valve
7	297803	Carburetor As'y. (Inc. Key No. 1 thru 6, 17 thru 24 & 32)	29	230590	Nut, Needle Valve
8	93367	Screw, Hex Hd.	30	66694	Gasket, Needle Valve Nut
9	37256	Gasket, Intake Elbow Mtg.	31	230581	Needle Valve Kit (Inc. Key No. 25 thru 31)
10	296110	Plate As'y., Stop Switch Insulator	32	299650	Link, Governor
11	381195	Wire, Ground	33	260688	Spring, Air Valve Governor
12	93320	Screw, Rd. Hd. Machine	34	260641	Clamp, Casing
13	260575	Spring, Speed & Throttle Adj.	35	221370	Screw, Serr
14	220576	Lever, Speed Adjuster	36	53496	Tank As'y., Fuel
15	221147	Crank, Bell	37	295591	Cap, Fuel Tank
16	93177	Screw, Bell Crank	38	382304	Gasket, Fuel Tank Mtg.
17	270026	Diaphragm	39	27811	Cap, Fuel Tank
18	210259	Cover, Diaphragm	40	93341	Screw, Fuel Tank Mtg.
19	93141	Screw, Diaphragm Cover	41	93322	Screw, Air Cleaner
20	93265	Pin, Diaphragm Cover	42	27850	Gasket, Air Cleaner Mtg.
21	221372	Cap, Spring	43	27897	Element, Air Cleaner
22	260455	Spring, Fuel Pump Diaphragm	44	296766	Cleaner As'y., Air (Inc. Key No. 1, 42 & 43)

**INCLUDED IN GASKET SET NO. 297275

ROPER 3 H.P. MINI-TILLER-MODEL NO. D3217AR
ENGINE-MODEL NUMBER 80202 TYPE 0781-01

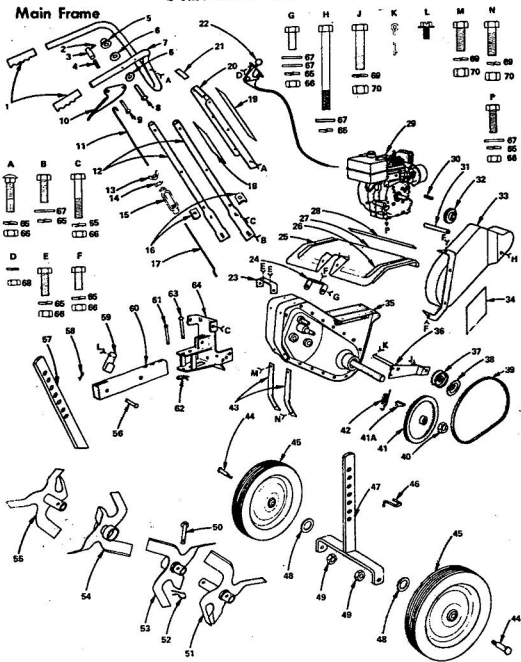
STARTER



KEY NO.	PART NO.	DESCRIPTION	KEY NO.	PART NO.	DESCRIPTION
1	297310	Blade, Governor	19	298438	Ratchet, Rewind Starter
2	93381	Screw, Armature Mtg.	20	221853	Washer, Clutch Retainer
3	221798	Terminal, Cable	21	68238	Washer, Ratchet Setting
4	298502	Armature, Magneto	22	63770	Ball, Clutch
5	93042	Screw, Condenser Clamp Mtg.	23	298310	Clutch As'y., (Inc. Key No. 18, 19, 20, 21 & 22)
6	220477	Clamp, Condenser	24	61780	Key, Flywheel
7	294628	Bracket Points & Condenser Set (Inc. Key No. 1, 8 & 9)	25	93705	Screw, Rotating Screen Mtg.
8	290374	Spring, Connector	26	221861	Screen, Rotating
9	29018	Spring, Breaker Arm	27	260117	Pulley, Rewind Starter
10	93381	Screw, Serr	28	294303	Spring, Rewind Starter
11	62704	Plunger, Breaker Point	29	93168	Screw, Serr
12	220388	Cover, Breaker Point & Condenser	30	230228	Pin, Starter Grip
13	83480	Screw, Dust Cover Mtg.	31	66684	Rope, Starter
14	89660	Seal, Oil	32	66728	Grip, Starter Rope
15	296581	Cylinder As'y., (Inc. Key No. 14)	33	294263	Housing, Blower
16	296584	Flywheel	34	294268	Starter As'y., Rewind (Inc. Key No. 1, 27, 28, 30, 31, 32 & 33)
17	220885	Washer, Spring	35	18069	Pulley, Flywheel
18	211383	Housing, Starter Clutch			

ALL ENGINE PARTS MUST BE PURCHASED THROUGH AND SERVICE PERFORMED BY YOUR LOCAL BRIGGS AND STRATTON DEALER.

**REPAIR PARTS 4 H.P. GIANT-TILLER--MODEL NO. D44152R1
5 H.P. GIANT-TILLER I--MODEL NO. D54252R1**



**4 H.P. GIANT-TILLER--MODEL NO. D44152R1
5 H.P. GIANT-TILLER I--MODEL NO. D54252R1**

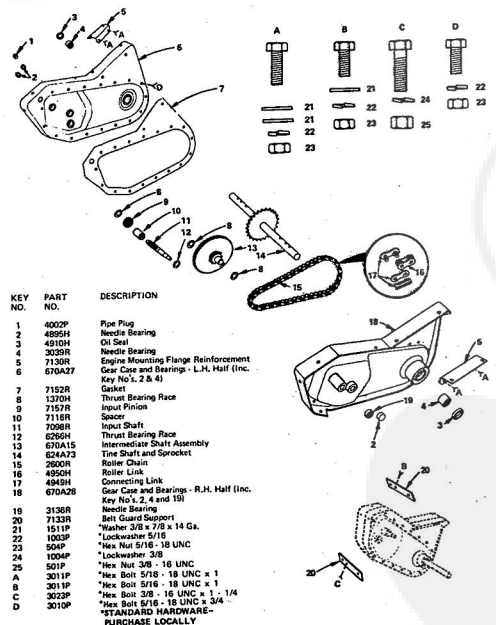
Main Frame

KEY NO.	PART NO.	DESCRIPTION	KEY NO.	PART NO.	DESCRIPTION
1	624A7B	Handle Grip (Set of 2)	40	8204H	*Locknut 1/2 - 20 UNF
2	4620H	Roll Pin	41	7141R	Input Pulley
3	4837H	Latch Button	41A	8808M1	Woodruff Key
4	4922H	Latch Spring	42	7183R	Spring
5	4945H	Pin Nut	43	7125R	Reinforcement
6	1509P	Washer 5/16 x 3/4 x 1/8 Ga.	44	4909H	Shoulder Bolt
7	7118R	Handle Bar	45	3148R	Wheel
8	2002P	R.H. Rivet 1/4 x 1 - 5/8	46	7055R	Wheel Support Pin
9	4888H	Latch Pin 1/4 x 1 - 1/2	47	670A33	Gage Wheel Support
10	7122R	Clutch Control Lever	48	1567P	*Washer 13/32 x 13/16 x 11 Ga.
11	7142R	Clutch Rod Upper	48	614P	*Hex Nut 3/8 - 18 UNC
12	7117R	Handle	50	4929H	Dr. Pin Hd. Rivet 3/8 x 1 - 3/4
13	2785F	*Wing Nut No. 10 24	51	624A47	Time Assembly R.H. Outer - 13"
14	1006P	*Lockwasher No. 10	52	3146A	Return Spring
15	4899H	Turbobuckle	53	624A45	Time Assembly L.H. Inner - 13"
16	6030H	Clamp Washer	54	624A44	Time Assembly L.H. Outer - 13"
17	4900H	Clutch Rod Lower	55	624A46	Dr. Pin Hd. Rivet 3/8 x 2 - 1/4
18	8053R	Instruction Decal (D54252R1 only)	56	7186R	Retainer Spring
18	8094R	Instruction Decal (D44152R1 only)	57	6256H	Skate Support and Spring (Inc. 59 and L)
19	8092R	Decal (D54252R1 only)	58	4921H	Retainer Spring
20	7076R	Decal (D44152R1 only)	58	8281R	Skate Spring
21	7088R	Caution Decal (D54252R1 only)	61	3007P	R.H. Rivet 3/8 x 3
22	7143R	Throttle Control	62	4938H	Return Spring
23	7134R	Idle Arm Support	63	4880H	Dr. R.H. Rivet 1/2 x 3 - 1/4
24	7127R	Time Shield Support	64	670A36	Wheel and Handle Support Assembly
25	7571R	Decal - L.H. (D54252R1 only)	65	1002P	*Lockwasher 5/16
26	7572R	Decal - R.H. (D54252R1 only)	66	504P	*Hex Nut 5/16 - 18 UNC
27	7125R	Time Shield	67	1611P	*Washer 3/8 x 7/8 x 14 Ga.
28	7146R	Decal (D54252R1 only)	68	603P	*Hex Nut 1/4 - 20 UNC
28	7131R	Decal (D44152R1 only)	69	1004P	*Lockwasher 3/8
29	670A38	Engine - 5 H.P. (D54252R1 only)	70	601P	*Hex Nut 3/8 - 18 UNC
29	670A38	Engine - 4 H.P. (D44152R1 only)	A	57P	*Sq. Neck Carriage Bolt - Short
30	2949M	Square Key	B	3010P	Shoulder 5/16 - 18 UNC x 1 - 1/2
31	7141R	Engine Pulley	C	3014P	*Hex Bolt 5/16 - 18 UNC x 1 - 3/4
32	1317R	Engine Pulley	D	1029P	*Lockwasher 1/4
33	670A16	Belt Guard Assembly	E	3011P	*Hex Bolt 5/16 - 18 UNC x 1
34	7151R	Decal - 6 H.P. (D54252R1 only)	F	3010P	*Hex Bolt 5/16 - 18 UNC x 3/4
34	7378R	Decal - 4 H.P. (D44152R1 only)	G	3010P	*Hex Bolt 5/16 - 18 UNC x 3/4
35	670A23	Transmission (D54252R1 only)	H	3313P	*Hex Bolt 5/16 - 24 UNC x 3 - 1/2
35	670A23	Transmission (D44152R1 only)	J	3029P	*Hex Bolt 3/8 - 16 UNC x 1 - 3/4
36	670A14	Idle Arm Assembly	K	2511P	*Cover No. 3116 - 1
37	4932H	Idle Pulley	L	5614P	*Signed Hex Washer Hd. Thrd. Cutting Screw - Type 1, 1/4 - 20 UNC x 1/2
38	7120R	Idle Stop Washer	M	3027P	*Hex Bolt 3/8 - 16 UNC x 1
39	7140R	V-Belt	N	3025P	*Hex Bolt 3/8 - 16 UNC x 1 - 1/4
			P	3008P	*Hex Bolt 5/16 - 18 UNC x 1 - 1/2
				8503R	Owners Manual

*STANDARD HARDWARE - PURCHASE LOCALLY

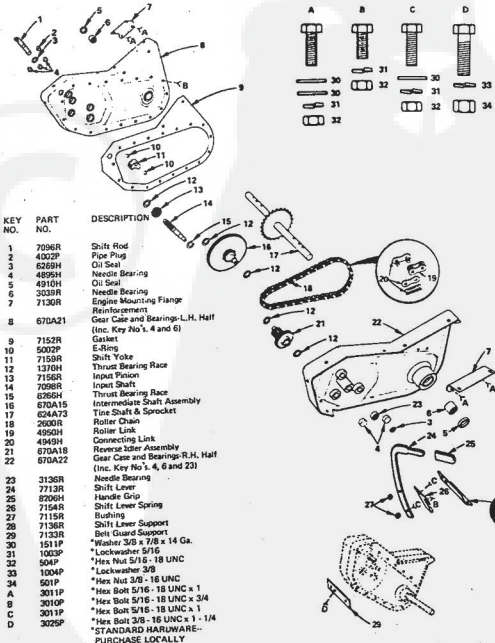
4 H.P. GIANT-TILLER--MODEL NO. D44152R1

Transmission



5 H.P. GIANT-TILLER I--MODEL NO. D54252R1

Transmission



KEY NO.	PART NO.	DESCRIPTION
1	7096R	Shift Rod
2	4002P	Pin Plug
3	6266H	Oil Seal
4	4895H	Needle Bearing
5	4910H	Oil Seal
6	3038R	Engine Mounting Flange
7	7130R	Reinforcement
8	670A21	Gear Case and Bearings-L.H. Half (Inc. Key No's. 4 and 6)
9	7152R	Gasket
10	2002P	E-Stop
11	7158R	Shift Yoke
12	1210H	Thrust Bearing Race
13	7156R	Input Pinion
14	7098R	Thrust Bearing Race
15	6266H	Oil Seal
16	670A15	Intermediate Shaft Assembly
17	624A73	Time Shaft & Sprocket
18	2600R	Roller Chain
19	4950H	Roller Link
20	1945H	Connecting Link
21	670A18	Reverse Idle Assembly
22	670A22	Gear Case and Bearings-R.H. Half (Inc. Key No's. 4, 6 and 23)
23	3138R	Needle Bearing
24	7113R	Shift Lever
25	6206H	Handle Grip
27	7154R	Shift Lever Spring
27	7115R	Bushing
28	7138R	Shift Lever Support
29	7133R	Belt Guard Support
30	1511P	*Washer 3/8 x 7/8 x 14 Ga.
31	1003P	*Lockwasher 5/16
32	504P	*Hex Nut 5/16 - 18 UNC
33	1004P	*Lockwasher 3/8
34	601P	*Hex Nut 3/8 - 18 UNC
A	3011P	*Hex Bolt 5/16 - 18 UNC x 1
B	3010P	*Hex Bolt 5/16 - 18 UNC x 3/4
C	3011P	*Hex Bolt 5/16 - 18 UNC x 1
D	3026P	*Hex Bolt 3/8 - 16 UNC x 1 - 1/4

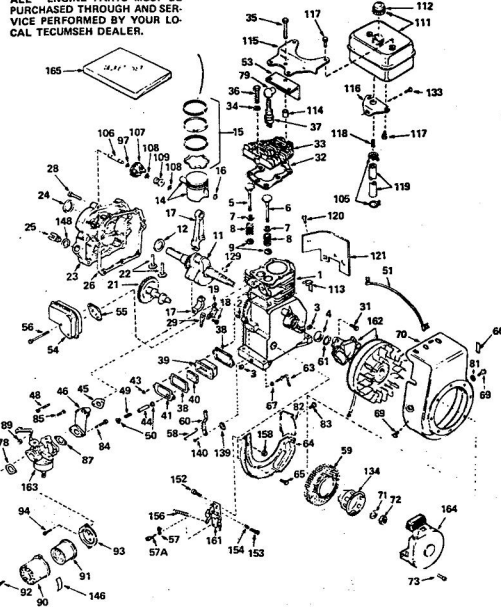
*STANDARD HARDWARE - PURCHASE LOCALLY

4 H.P. GIANT-TILLER--MODEL NO. D44152R1

TUCUMSEH 4 H.P. ENGINE--MODEL NO. HS40-55485G

Engine

ALL ENGINE PARTS MUST BE PURCHASED THROUGH AND SERVICE PERFORMED BY YOUR LOCAL TUCUMSEH DEALER.



Engine

4 H.P. GIANT-TILLER--MODEL NO. D44152R1

TUCUMSEH 4 H.P. ENGINE--MODEL NO. HS40-55485G

KEY NO.	PART NO.	DESCRIPTION	KEY NO.	PART NO.	DESCRIPTION
1	33014A	Cylinder Assy. (Incl. No's. 2, 3 & 4)	49	34148	Spring, Coil
2	26727	Pin, Dowel	50	32446	Grommet, Heat Tube
3	27842	Plug, Sp. Hd. Pipe (Oil Drain)	51	31388	Wire, Ground
4	32650	Seal, Oil	53	33344	Baffle, Heat
5	32644	Valve, Intake (Std.) (Incl. No's. 7, 8 & 9)	54	32712	Muffler
5	32645	Valve, Intake (1/32" Oversize) (Incl. No's. 7, 8 & 9)	55	*29754	Gasket, Exhaust
6	29313B	Valve, Exhaust (Std.) (Incl. No's. 7, 8 & 9)	56	650253	Screw, Hex Hd. Cap. 1/4 - 20 x 2 - 1/4
6	29315B	Valve, Exhaust (1/32" Oversize) (Incl. No's. 7, 8 & 9)	57	27793	Clip, Conduit
7	31671	Cap, Upper Valve Spring	57A	28942	Screw, Hex Slotted Hd. Sems. 10 - 32 x 3/8
8	31672	Spring, Valve	58	32698	Link, Governor-to-throttle
9	31673	Cap, Lower Valve Spring	59	33668	Screen, Starter
11	32877A	Crankshaft Assy.	60	31510	Lever, Governor
12	32323	Washer, Thrust	61	33816	Gasket, Sator
14	32003	Piston & Pin Assy. (Incl. 2 of No. 16) (Std.)	63	31334	Rod, Governor
14	32604	Piston & Pin Assy. (Incl. 2 of No. 16) (1/32" Oversize)	64	**33342	Baffle, Blower Housing
14	32605	Piston & Pin Assy. (Incl. 2 of No. 16) (1/20" Oversize)	65	650561	Screw, Phil. Hex Hd. Sems. 1/4 - 20 x 5/8
15	32606	Ring Set, Piston (Std.)	68	34149	Decal, Name & Instruction
15	32607	Ring Set, Piston (1/10" Oversize)	69	29277	Washer, Flat
15	32608	Ring Set, Piston (1/20" Oversize)	69	29212	Screw, Hex Hd. Sems. 1/4 - 28 x 7/16
16	20381	Ring, Piston Pin Retaining	70	*33653A	Housing, Blower
17	32875	Rod Assy., Connecting (Incl. No's. 18 & 19 and 20)	71	650193	Washer, Belleville
18	32610	Screw, Connecting Rod	72	65007	Nut, Hex
19	29609	Plate, Lock	73	*29716	Screw, Phil. Pan Hd. Sems. 1/4 - 28 x 7/16
21	33158	Cambshaft (Compression Release)	78	*27272	Gasket, Air Cleaner
22	27241	Liter, Valve	79	810118	Cover, Spark Plug
23	32700A	Cover, Cylinder (Incl. No's. 24, 25, 106 & 148)	81	650088	Washer, Flat
24	27897	Seal, Oil	82	33341	Extension, Baffle
25	27625	Plug, Oil Filler (Incl. No. 148)	83	650701	Screw, Phil. Hex Washer Hd. Self-Drilling, 8 - 18 x 7/16
26	27677	Gasket, Cylinder Cover	84	6202	Screw, Hex Hd. Cap. 1/4 - 28 x 1
28	30564	Screw, Hex Hd. Cap Sems. 1/4 - 20 x 1	85	*28756	Gasket, Carburetor
28	30564	Diaphragm	89	29752	Nut & Lockwasher Assy., 1/4 - 28
31	650489	Screw, Hex Hd. Sems. w/flatwasher, 1/4 - 20 x 5/8	90	31700	Element, Air Cleaner
32	*32015	Gasket, Cylinder Head	92	650152	Screw, Fil. Slotted Hd. Sems. 8 - 32 x 3/8
32	33016	Head, Cylinder	93	34147	Bracket, Air Cleaner
34	26073	Washer	94	38820	Screw, Phil. Fil. Hd. Mach. Sems. 10 - 32 x 1/2
35	650604	Screw, Hex Hd. Cap. 5/16 - 18 x 2	97	30590A	Washer, Flat
36	6021	Screw, Hex Hd. Cap. 5/16 - 18 x 1 - 1/2	106	30574	Shaft, Mechanical Governor
37	33326	Plug, Spark (Champion J-8 or Equivalent)	107	30691	Gear Assy., Governor (Incl. No. 97)
38	27234	Gasket, Valve Spring Cover	108	21513	Ring, Retaining
39	27656	Body, Breather	109	30588A	Spool, Governor
40	27233	Element, Breather	111	33130	Tank Assy., Fuel (Incl. No. 112 & 117)
41	34146	Cover, Valve Spring	112	4101448	Cap, Fuel Tank
43	650128	Screw, Fil. Slotted Hd. Sems. 10 - 24 x 1/2	113	29443	Clip, Fuel Line
44	32447	Tube, Breather	114	29212	Spacer, Tank Bracket
45	*32649	Gasket, Intake Pipe	115	28317A	Bracket, Fuel Tank - Upper
46	32699	Pipe, Intake	116	32762	Bracket, Fuel Tank - Lower
48	30646	Screw, Phil. Fil. Hd. Sems. 1/4 - 20 x 1 - 3/8	117	650605	Screw, Hex Hd. Sems. 1/4 - 14 x 7/8

4 H.P. GIANT-TILLER--MODEL NO. D44152R1

TUCUMSEH 4 H.P. ENGINE--MODEL NO. HS40-55485G

Engine

KEY NO.	PART NO.	DESCRIPTION
121	29745	Extension, Blower Housing
129	610851	Key, Flywheel
133	650561	Screw, Phil. Hex Hd. Sems. 1/4 - 20 x 5/8
134	33667	Cap, Starter
139	31335	Clamp, Governor Lever
140	650548	Screw, Hex Slotted Washer Hd., 8 - 32 x 3/8
146	31871	Decal, Air Cleaner
148	*29673	Gasket, Oil Fill
152	**30091	Screw, Hex Slotted Washer Hd. Sems. 8 - 32 x 1/2
153	650549	Screw, Fil. Slotted Hd. Mach. S., 4 - 40 x 7/16
154	31342	Spring, Compression
156	31426	Spring, Extension
158	**30322	Nut & Lockwasher Assy., 8 - 32
161	**33879	Control Assy., Speed (Incl. No's. 152, 153, 154 & 155)
162	610942A	Magneto (The complete magneto is not available as an assembly. The magneto number is shown for reference purposes only. Order component parts individually, as shown in parts list.)
163	631918	Carburetor (Incl. No. 87)
164	*680420	Starter Assy., Rewind
165	33240	Gasket Set (Incl. Items Marked *)

*In original production the speed control assembly is riveted to the blower housing baffle. Replacement speed control assembly includes screws and nuts for mounting. Replacement baffle has threaded holes.

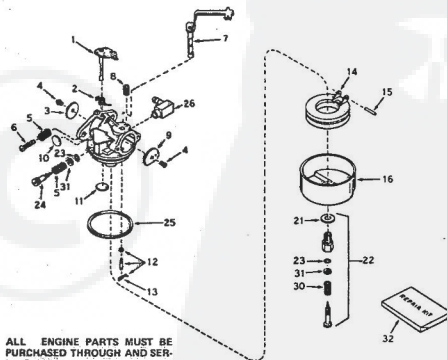
**In original production the starter is riveted to the blower housing. If either the starter or blower housing requires replacement, both will have to be ordered. Also order four (4) screws illustrated to attach replacement starter to replacement blower housing.

4 H.P. GIANT-TILLER--MODEL NO. D44152R1

5 H.P. GIANT-TILLER I--MODEL NO. D54252R1

NO. 631918 FOR TUCUMSEH 4 H.P. ENGINE--MODEL NO. HS40-55485G
NO. 631923 FOR TUCUMSEH 5 H.P. ENGINE--MODEL NO. HS50-67112C

Carburetor



ALL ENGINE PARTS MUST BE PURCHASED THROUGH AND SERVICE PERFORMED BY YOUR LOCAL TUCUMSEH DEALER.

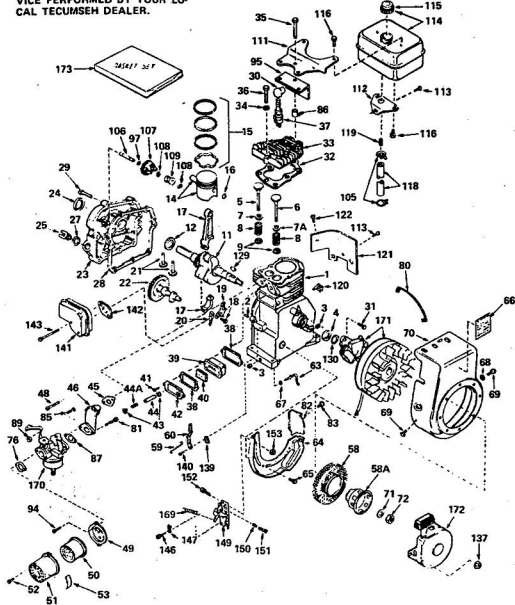
KEY NO.	PART NO.	DESCRIPTION	KEY NO.	PART NO.	DESCRIPTION
1	631615	Shaft & Lever Assy., Throttle	14	631023	Float, Carburetor
2	631279	Spring, Throttle Return	15	*631024	Shaft, Float
3	631036	Shutter, Throttle	18	631807	Bowl, Float
4	650556	Screw, 4 - 40 x 3/16	21	27110	Gasket, Bowl-to-body
5	630760	Spring, Idle Regulating Screw	22	*31838	Adjustment Screw Assy., Main (Incl. No's. 21, 23, 30 & 31)
6	650417	Screw, Idle Regulating	23	*630740	*"C" Ring, Adjustment Screw
7	630919	Shaft & Lever Assy., Choke	24	*831078	Screw, Idle Adjustment
8	630735	Spring, Choke Stop	25	631028	Gasket, Bowl-to-body
9	31827	Shutter, Choke	26	631807	Fitting, Fuel Inlet
10	*630748	Plug, Welch	30	630738	Spring, Main Adjustment Screw
11	*631027	Inlet Needle	31	630739	Washer, Flat
12	*631021	Inlet Needle, Seat & Clip Assy., (Incl. No. 13)	32	31840	Repair Kit (Incl. Items Marked *)
13	631022	Clip, Inlet Needle			

5 H.P. GIANT-TILLER I--MODEL NO. D54252R1

TECUMSEH 5 H.P. ENGINE-MODEL NO. HS50-67112C

Engine

ALL ENGINE PARTS MUST BE PURCHASED THROUGH AND SERVICE PERFORMED BY YOUR LOCAL TECUMSEH DEALER.



5 H.P. GIANT-TILLER I--MODEL NO. D54252K1

TECUMSEH 5 H.P. ENGINE-MODEL NO. HS50-67112C

Engine

KEY NO.	PART NO.	DESCRIPTION	KEY NO.	PART NO.	DESCRIPTION
1	32674	Cylinder Assy. (Incl. No's. 2, 3 & 4)	49	34147	Bracket, Air Cleaner
2	26727	Pin, Dowel	50	31700	Element, Air Cleaner
3	32642	Plug, So. Hd. Pipe, 1/4 - 18 (Oil Drain)	51	31692	Body, Air Cleaner
4	32602	Gasket, Oil	52	65012	Screw, Fil. Slotted Hd. Sems. 8 - 32 x 3/8
5	32644	Valve, Intake (Std.) (Incl. No's. 7, 8 & 9)	53	31671	Decal, Air Cleaner
6	32645	Valve, Exhaust (1/32" Oversize) (Incl. No's. 7, 8 & 9)	54	33668	Screws, Starter Cup
7	29313B	Valve, Exhaust (Std.) (Incl. No's. 7A, 8 & 9)	55A	33667	Cup, Starter
8	29315B	Valve, Exhaust (1/32" Oversize) (Incl. No's. 7A, 8 & 9)	56	32698	Link, Governor-to-throttle
9	31671	Cap, Upper Valve Spring (Intake)	57	31610	Lever, Governor
10	31672	Cap, Upper Valve Spring (Exhaust)	58	31554	Rod, Governor
11	31673	Spring, Valve	59	850561	Baffle, Blower Housing
12	32233	Washer, Thrust	60	34149	Decal, Name & Instruction
13	33677	Crankshaft	61	32777	Washer, Flat 1/4"
14	33562	Piston & Pin Assy. (Std.) (Incl. 2 of No. 16)	62	650168	Screw, Phil. Hex Hd. Sems. 1/4 - 28 x 7/16
15	33563	Piston & Pin Assy. (L10 Oversize) (Incl. 2 of No. 16)	63	650763	Housing, Blower
16	33564	Piston & Pin Assy. (L20 Oversize) (Incl. 2 of No. 16)	64	650762	Washer, Belleville
17	33565	Ring Set, Piston (Std.)	65	27272	Gasket, Air Cleaner
18	33566	Ring Set, Piston (L10 Oversize)	66	31250	Screw, Ground
19	33567	Ring Set, Piston (L20 Oversize)	67	650701	Screw, Phil. Hex Hd. Cap. 1/4 - 28 x 1
20	33568	Ring, Piston Pin Retaining	68	28212	Extension, Baffle
21	33569	Rod Assy., Connecting (Incl. No's. 18, 19 & 20)	69	650601	Screw, Phil. Hex Hd. Sems. 1/4 - 28 x 2
22	33570	Screw, Connecting Rod	70	28212	Spacer
23	32699	Plank, Lead	71	28212	Gasket, Carburetor
24	32694	Dipper, Oil	72	28220	Nut, Lockwasher, 1/4 - 28
25	27241	Lift, Valve	73	28220	Screw, Phil. Fil. Hd. Mach. Sems. 10 - 32 x 1/2
26	32158	Camshaft (Compression Release)	74	33344	Baffle, Heat
27	32700A	Cover, Cylinder (Incl. No's. 24, 25, 27)	75	30550A	Washer, Flat
28	27897	Seal, Oil	76	26450	Clamp, Fuel Line
29	27825	Filter, Oil (Incl. No. 27)	77	30554	Shaft, Mechanical Governor
30	27873	Gasket, Oil Filter	78	30551	Gear Assy., Governor (Incl. No. 97)
31	27877	Gasket, Cylinder Cover	79	1082193	Ring, Resealing
32	30564	Screw, Lockwasher, Hex Hd. Cap. 1/4 - 20 x 1	80	30588A	Spool, Governor
33	610118	Screw, Hex Hd. Sems w/Flatwasher, 1/4 - 20 x 5/8	81	28371A	Bracket, Fuel Tank - Upper
34	650489	Gasket, Cylinder Head	82	28212	Bracket, Fuel Tank - Lower
35	33016	Gasket, Cylinder Head	83	650561	Screw, Phil. Hex Hd. Sems. 1/4 - 20 x 5/8
36	29573	Screw, Hex Hd. Cap. 5/16 - 18 x 2	84	33120	Tank Assy., Fuel (Incl. No's. 115 & 116)
37	650684	Screw, Hex Hd. Cap. 5/16 - 18 x 1 - 1/2	85	650665	Screw, Hex Hd. Sems. 1/4 - 14 x 7/8
38	6021	Plug, Spark (Champion J-8 or equivalent)	86	30795	Line, Fuel
39	33636	Gasket, Breather Cover	87	28819	Spring, Fuel Line
40	27224	Body Assy., Breather	88	29443	Clip, Fuel Line
41	27223	Element, Breather	89	29145	Extension, Blower Housing
42	650128	Screw, Fil. Slotted Hd. Sems. 10 - 24 x 1/2	90	650128	Screw, Fil. Slotted Hd. Sems. 10 - 24 x 1/2
43	34146	Cover, Valve Spring	91	610951	Key, Flywheel
44	32447	Tube, Breather	92	33816	Gasket, Starter
45	34148	Screw, Coil	93	29752	Nut, Lockwasher Assy., 1/4 - 28
46	33673	Gasket, Intake	94	31255	Clamp, Governor Lever
47	33666	Screw, Phil. Fil. Hd. Sems. 1/4 - 20 x 1 - 3/8	95	650648	Screw, Hex Slotted Washer Hd., 8 - 32 x 3/8
48	30646	Screw, Phil. Fil. Hd. Sems. 1/4 - 20 x 1 - 3/8	96	34148	Muffler
			97	33670	Gasket, Muffler
			98	650253	Screw, Hex Hd. Cap. 1/4 - 20 x 2 - 1/4

5 H.P. GIANT-TILLER I--MODEL NO. D54252R1

TECUMSEH 5 H.P. ENGINE-MODEL NO. HS50-67112C

Engine

KEY NO.	PART NO.	DESCRIPTION
146	28942	Screw, Hex Slotted Hd. Sems. 10 - 32 x 3/8
147	27793	Clip, Control
148	33578	Control Assy., Speed (Incl. No's. 150 thru 153)
150	31342	Spring, Compression
151	650549	Screw, Fil. Slotted Hd. Mach., 5 - 40 x 7/16
152	33091	Screw, Hex Slotted Washer Hd. Sems. 8 - 32 x 1/2
153	30322	Nut, Lock. 8 - 32
169	31426	Spring, Extension
170	631923	Carburetor (Incl. No. 87)
171	610942A	Magneto (The complete magneto is not available as an assembly. The magneto number is shown for reference purposes only. Order component parts individually, as shown in parts list.)
172	**590420	Starter, Rewind
173	33683	Gasket Set (Incl. items marked *)

*In original production the speed control assembly is riveted to the blower housing baffle. Replacement speed control assembly includes screws and nuts for mounting. Replacement baffle has threaded holes.

**In original production the starter is riveted to the blower housing. If either the starter or blower housing requires replacement, both will have to be ordered. Also order four (4) nuts illustrated to attach replacement starter to replacement blower housing.

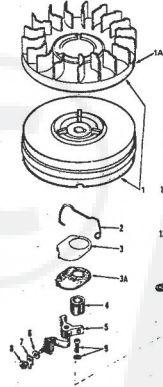
4 H.P. GIANT-TILLER --MODEL NO. D44152R1

5 H.P. GIANT-TILLER I--MODEL NO. D54252R1

*Magneto No. 610942A

TECUMSEH 4 H.P. ENGINE-MODEL NO. HS40-55485G

TECUMSEH 5 H.P. ENGINE-MODEL NO. HS50-67112C



ALL ENGINE PARTS MUST BE PURCHASED THROUGH AND SERVICE PERFORMED BY YOUR LOCAL TECUMSEH DEALER.

KEY NO.	PART NO.	DESCRIPTION	KEY NO.	PART NO.	DESCRIPTION
1	33669B	Flywheel (Incl. Nos. 1A, 3 & 3A)	10	610593	Screw, Condenser
1A	610533	Fan, Blower	11	30569A	Coil Assy. (Incl. No. 12)
2	30551	Spring, Breaker box dust cover	12	30551	Wire, Lead
3	610947	Cover, Dust	13	30548A	Condenser
3A	610950	Gasket, Dust cover	14	30545	Core & Frame
4	30992	Cam, Breaker	15	30561B	Stator Assy. (Incl. Nos. 2, 3, 3A, 5 thru 14 & 16 thru 18)
5	30547A	Contact Assy., Breaker	16	30540	Felt, Cam wiper
6	610365	Washer, Terminal	17	31311	Clip, Coil locking
7	33356	Tab, Ground terminal	18	29629	Spring, Coil wedge
8	610408	Nut, Terminal			
9	29181	Screw & Washer, Breaker			

*The complete magneto is not available as an assembly. The magneto number is shown for reference purposes only. Order component parts individually, as shown in parts list.

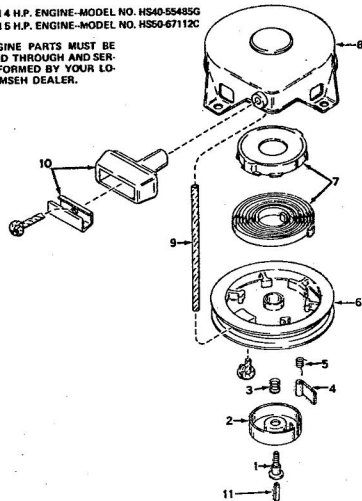
Click Here to upgrade to Unlimited Pages and Expanded Features

4 H.P. GIANT-TILLER--MODEL NO. D44152R1
5 H.P. GIANT-TILLER I--MODEL NO. D54252R1

Rewind Starter No. 590420

TECUMSEH 4 H.P. ENGINE--MODEL NO. HS40-55485G
TECUMSEH 5 H.P. ENGINE--MODEL NO. HS50-67112C

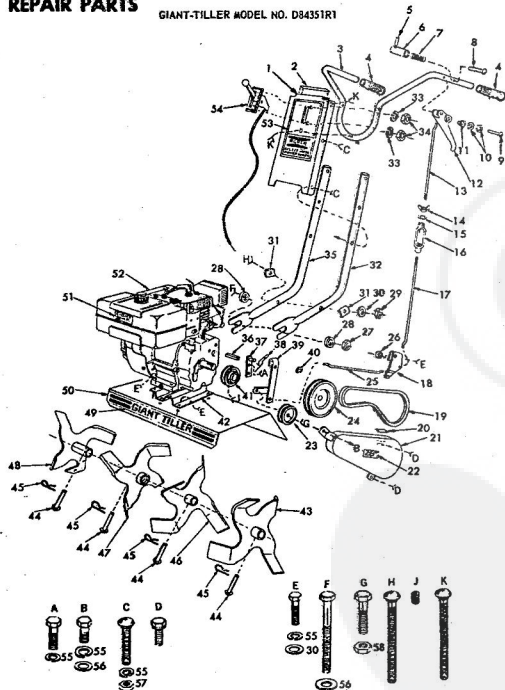
ALL ENGINE PARTS MUST BE PURCHASED THROUGH AND SERVICE PERFORMED BY YOUR LOCAL TECUMSEH DEALER.



KEY NO.	PART NO.	DESCRIPTION	KEY NO.	PART NO.	DESCRIPTION
1	59040B	Screw, Retainer	6	590413A	Pulley
2	590410	Retainer, R.H.	7	590414	Spring & Washer Assy.
3	590411	Sprocket	8	590415	Winding Assy., Starter
4	59041B	Dog, Starter	9	590389	Frame, Starter
5	590412	Spring, R.H. Dog	10	590392	Handle Assy., Starter
			11	590459	Pin, Detent

REPAIR PARTS

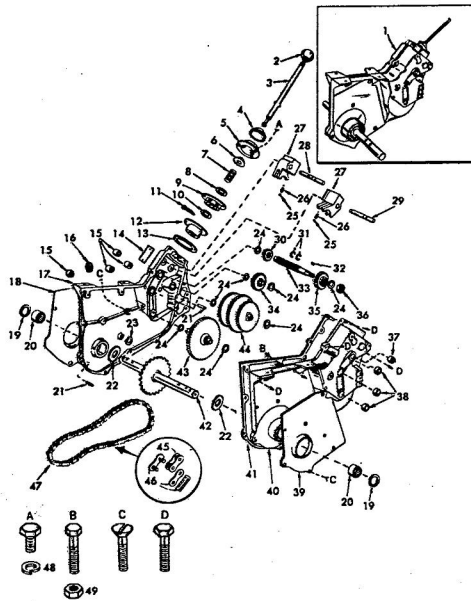
GIANT-TILLER MODEL NO. D84351R1



GIANT-TILLER MODEL NO. D84351R1

KEY NO.	PART NO.	DESCRIPTION	KEY NO.	PART NO.	DESCRIPTION
1	6832R	Handle Plate	37	624A12	Idler Arm Support & P.
2	7888R	Caution Decal	38	6645R	Idler Spring
3	6633R	Handle Bar	39	624A11	Idler Arm & Straps
4	8275H	Handle Grip	40	5012P	E-Ring
5	4920H	Ball Pin	41	4931H	Engine Shroud
6	4837H	Latch Button	42	6922R	Adapter Plate
7	4922H	Spring	43	624A61	Time Assembly, L.H. O
8	4868H	Drilled Rivet R.H.	44	4920H	Drilled Rivet, Pan Hd.
9	2066P	Rivet R.H. 1/2x3/8	45	3146H	Retainer Spring
10	1509P	Washer 5/16x5/16 Ga.	46	624A59	Time Assembly, L.H. In
11	4946H	Pal Nut	47	624A60	Time Assembly R.H. In
12	4879H	Clutch Control Lever	48	624A62	Time Assembly R.H. O
13	8755H	Clutch Rod-Upper	49	7035R	Scotchcol (Giant-Tiller)
14	3789P	Wing Nut	50	3132R	Time Shield
15	1006P	Lockwasher No. 10	51	7034R	Scotchcol (5 H.P.)
16	4899H	Tumbuckle	52	624A75	Engine Lockout 5 H.P. No. 150107A
17	4900H	Clutch Rod-Lower	53	7033R	Scotchcol (Roper)
18	4884H	Bell Crank	54	8269H	Throttle Control with Cable
19	4897H	V-Belt	55	1002P	Lockwasher 5/16
20	7030H	Shift Label	56	1537P	Washer 11/32x1/16x3/16
21	624A13A	Belt Guard & Bracket	57	504P	Hex Nut 5/16-18
22	7036R	Scotchcol (28")	58	588P	Hex Jam Nut 3/8-16
23	4933H	Idler Pulley	A	3054P	Hex Bolt 5/16-24x5
24	4823H	Input Shroud	B	3052P	Hex Bolt 5/16-24x3
25	4902H	Clutch Rod Link	C	58P	Carriage Bolt, Short Sh 5/16-18x2
26	4917H	Bushing	D	6024P	Hex Bolt 5/16-18x3
27	1609H	Locknut 5/16-18	E	3012P	Hex Bolt 5/16-18x1 1/2
28	7850H	Spacer Washer	F	3018P	Hex Bolt 5/16-18x6
29	530P	Washer 5/16-18	G	3027P	Hex Bolt 3/8-16x1 1/2
30	536P	Washer 15/32x7/8x14 Ga.	H	18P	Carriage Bolt 5/16-18
31	8630H	Clamp Washer	J	4531P	Salt Screw, Hex Socket Hdless, C.P. 5/16-18
32	6534R	Handle L.H.	K	57P	Carriage Bolt, Short Sh 5/16-18x1 1/2
33	1002P	Lockwasher 5/16			
34	503P	Hex Nut 5/20			
35	6635R	Handle R.H.			
36	4914H	Square Key			

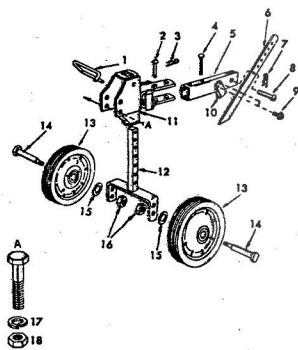
GIANT-TILLER MODEL NO. D84351R1



GIANT-TILLER MODEL NO. D84351R1

KEY NO.	PART NO.	DESCRIPTION
1	624A58	Transmission (Includes Bell Crank) Key No. 18 Page 11
2	6364H	Control Knob
3	6213H1	Gear Shift Lever
4	4869H1	Shift Lever Cap
5	4871H	Gear Shift Cover
6	6259H	Shift Lever Guide Ball
7	4924H	Spring
8	1544P	Washer 15/32 x 5/16 x 16 Ga.
9	3139R	Shift Mechanism Seal
10	1569P	Washer 7/16 x 15/16 x 11 Ga.
11	2505P	Center Pin 1/8 x 3/8
12	624A56	Shift Lever Gate and Reinforcement
13	4913H	Gasket
14	Model Plate	
15	4895H	Needle Bearing
16	4002P	Pipe Plug 3/16 N.P.T.
17	624A57	Gear Case and Bearings-R.H. (Includes Key No. 15, 20 and 22)
18	4878H1	Gear Case Shield R.H.
19	4910H	Oil Seal
20	4890H	Needle Bearing
21	9890M	Dowel Pin
22	4870H	Thrust Cap
23	4912H	Gasket
24	1375H	Thrust Bearing Race
25	8127M	Steel Ball
26	4923H	Detent Spring
27	3140R	Shift Lever Yoke
28	4829H	Shift Block Guide (3 Grooves)
29	4839H	Shift Block Guide (2 Grooves)
30	3140R	Low Speed Pinion
31	4926H	Sump Ring
32	7638H1	Woodruff Key 3/16 x 5/8
33	4841H1	Input Shaft
34	624A42	Reverse Idler and Shaft
35	3142R	High Speed Pinion
36	9204H	Locknut 5-20
37	3138R	Needle Bearing
38	4889H1	Needle Bearing
39	4877H1	Gear Case Shield L.H.
40	624A56	Gear Case and Bearings L.H. (Includes Key No. 20, 22 and 37)
41	2601R	Gasket
42	624A73	Tow Shaft and Sprocket
43	624A43	2nd Reduction Shaft and Gears
44	624A41	2nd Reduction Shaft and Gears
45	4920H	Roller Link
46	4921H	Connecting Link
47	2600R	Roller Chain ASA No. 50
48	1903P	Lockwasher 3/16
49	504P	Hex Nut 5/16-18
A	2018P	Hex Hd. Hex. Screw 5/16-18 x 3/4
B	5015P	Hex Bolt 5/16-18 x 2
C	5585P	Slotted Flat Hd. Roll. Lock
D	5586P	Thread Forming Screw 5/16-18 x 1 1/2
	5586P	Hex Hd. Roll. Lock Thread Forming Screw 5/16-18 x 1 1/2
-	7041R	Owner's Manual

GIANT-TILLER MODEL NO. D84351R1



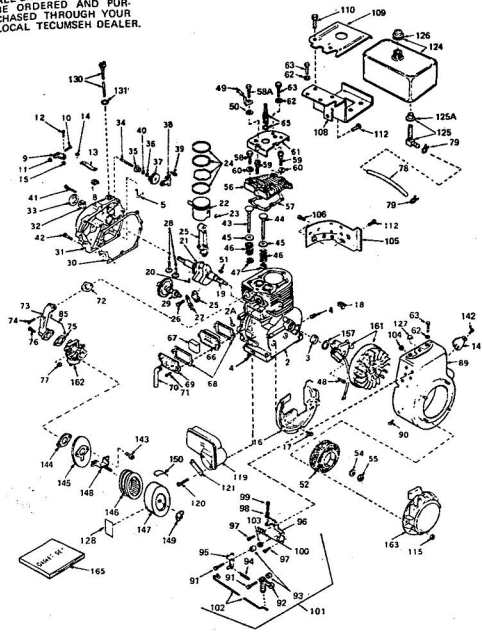
KEY NO.	PART NO.	DESCRIPTION
1	8251H	Support Pin
2	4890H	Drilled Rivet R.H.
3	4929M	Retainer Spring
4	2007P	Rivet R.H. 3/8 x 3
5	624A54	Side Support and Strap with Spring and Screws (Keys #9 and 10)
6	8250H	Snake
7	4921H	Retainer Spring
8	4889H	Drilled Rivet R.H.
9	5314P	Slotted Hex Washer Hd. Thread Cutting Screw Type 1 1/4 x 20 x 3/8
10	4929H1	Snake Spring
11	624A55	Wheel Support Bracket Assembly
12	624A33A	Comp. Wheel Support and Shaft
13	7037R	Wheel 10 x 2.75W
14	8284H	Shoulder Bolt
15	1537P	Washer 15/32 x 13/16 x 11 Ga.
16	514P	Hylock Nut 3/8-16
17	1004P	Lockwasher 3/8
18	501P	Hex Nut 3/8-16
A	3600P	Hex Bolt 3/8-16 x 2 1/4

REPAIR PARTS 4-CYCLE ENGINE

ALL ENGINE PARTS MUST BE ORDERED AND PURCHASED THROUGH YOUR LOCAL TECUMSEH DEALER.

GIANT-TILLER MODEL NO. D84351R1

MODEL NUMBER: 155107A



4-CYCLE ENGINE

GIANT-TILLER MODEL NO. D84351R1

MODEL NUMBER: 155107A

Ref. No.	Part No.	Part Name	Ref. No.	Part No.	Part Name
1	656072	Complete Engine	42	650493	Screw, Hex hd. Sems, 1/4-20 x 1-3/4
2	33697	Cylinder Assy. (Incl. Nos. 2A, 3 & 4)	43	33242	Valve, Intake (Standard)
2A	27652	Pin, Dowel	43	33243	Valve, Intake (1/32" oversize)
3	32630	Seal, Oil	44	27578A	Valve, Exhaust (Standard)
4	27642	Plug, Oil drain	44	27880A	Valve, Exhaust (1/32" over-size) (Incl. No. 47)
5	306998	Rod, Governor	44	27880A	Valve, Exhaust (1/32" over-size) (Incl. No. 47)
8	29642	Ring, Retaining	45	27882	Cap, Upper valve spring
9	29916	Clamp, Governor lever	46	27851	Spring, Valve
10	29826	Screw, Hex slotted washer hd. mach., 10-32 x 3/4	47	32561	Cap, Lower valve spring
11	29216	Nut, Square, 10-32	48	650489	Screw, Hex hd. Sems, w/flat-washer, 1/4-20 x 1 1/16
12	650648	Screw, Hex slotted washer hd., 8-32 x 3/8	49	30747	Clip, Spark plug shorting
13	33864	Lever, Governor	50	10645	Washer, Lock
14	29916	Lockwasher, No. 8	51	32559	Key, Flywheel
15	30322	Nut & Lockwasher Assy., 8-32	52	33662	Hub & Screen Assy., Starter
16	29536	Baffle, Blower housing	54	650490	Washer, Bellcrank
17	650561	Screw, Phil. hex hd. Sems, 1/4-20 x 5/8	55	8116	Nut, Hex, 1/2-20
18	29443	Clip, Fuel line	56	33371	Head, Cylinder
19	33911	Crankshaft Assy. (Incl. Nos. 20 & 21)	57	*33210	Gasket, Cylinder head
20	29785	Pin, Crankshaft gear	58A	650737	Screw, Phil. hex hd. self-tap., 1/4-20 x 15/32
21	33246	Gear, Crankshaft	59	650727	Screw, Special Hex hd. tapped, 1/4-20 x 15/32
22	33869	Piston & Pin Assy. (Standard) (Incl. 2 of No. 23)	60	650891	Washer, Flat
22	33870	Piston & Pin Assy. (.010 over-size) (Incl. 2 of No. 23)	61	33272	Cover, Cylinder head
22	33871	Piston & Pin Assy. (.020 over-size) (Incl. 2 of No. 23)	62	29073	Washer, Flat
23	27888	Ring, Piston pin retaining	63	650713	Screw, Hex hd. cap, 5/16-18 x 9/8
24	33878	Ring Set, Piston (Standard)	65	33636	Plug, Spark
24	33874	Ring Set, Piston (.010 over-size)	66	28423	Body, Breather
24	33875	Ring Set, Piston (.020 over-size)	67	28424	Element, Breather
25	33591B	Rod Assy., Connecting (Incl. Nos. 26 & 27)	68	*27890	Gasket, Breather cover
26	650662	Screw, Connecting rod	69	28425	Cover, Valve spring
27	29590	Plate, Lock & Oil dipper	70	27637	Tube, Breather
28	34034	Lifter, Valve	71	650128	Screw, Phil. slotted hd. Sems, 10-24 x 1/2
29	33366	Camshaft Compression Release	72	*27915	Gasket, Intake
30	*33253	Gasket, Cylinder cover	73	33877	Pipe, Intake
31	33367	Cover, Cylinder (Incl. Nos. 32, 33 & 34)	74	650378	Screw, Phil. hd. Sems, 5/16-18 x 1-1/8
32	33368	Bushing, Crankshaft	75	*33881	Gasket, Carburetor
32	31950	Seal, Oil	76	30088A	Screw, Phil. fl. hd. Sems, 1/4-28 x 1
34	31845	Shaft, Mechanical governor	77	29762	Nut, Lock, 1/4-28
35	30558A	Spool, Governor	78	30905	Line, Fuel
36	29139	Ring, Retaining	79	26460	Clamp, Fuel line
37	30591	Gear Assy., Governor (Incl. No. 40)	85	33878	Link, Governor lever-to-broiler
38	33369	Bracket, Governor gear	89	33375A	Housing, Blower
39	28763	Screw, Hex washer hd. thread-forming, 10-24 x 1/2	90	29747A	Screw, Hex hd. Sems, cap, 9/16-24 x 3/4
40	30590A	Washer, Flat			
41	650488	Screw, Hex hd. Sems, 1/4-20 x 1-1/4			

*Indicates Parts Included in Gasket Set, Ref. No. 165.

4-CYCLE ENGINE

GIANT-TILLER MODEL NO. D84351R1

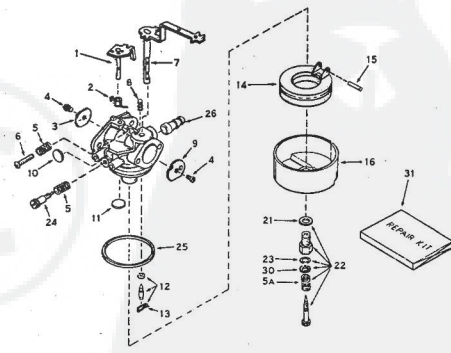
MODEL NUMBER: 155107A

Ref. No.	Part No.	Part Name	Ref. No.	Part No.	Part Name
91	30312	Screw, Hex slotted washer hd. Sems, 10-32 x 1/2	125A	33679	Bushing, Fuel fitting
92	30712	Lever, Bellcrank	127	33587	Cap, Fuel filler
93	29330	Bushing, Bellcrank	128	30592	Decal, Name & Instruction
94	33578	Spring, Governor	130	31297	Dipstick, Oil (Incl. No. 131)
95	30201A	Lever, Control	131	*29673	Gasket, Dipstick
96	30199A	Bracket, Control	141	33013	Cover, Starter bubble
97	650399	Screw, Phil. fl. hd. Sems, 10-32 x 5/8	142	650760	Screw, Phil. pan hd. 8-32 x 7/16
98	32924	Spring, Compression	143	28820	Screw, Phil. fl. hd. mach., Sems, 10-32 x 1/2
99	650888	Screw, Hex hd., 10-32 x 1-5/16 (Drilled thro)	144	*27272	Gasket, Air cleaner
100	27793	Clip, Conduit	145	33266	Bracket, Air cleaner
101	730152	Control Assy., Speed (Incl. Nos. 91 thru 97 & 103)	147	33268	Cover, Air cleaner
102	33372	Link, Gov. lever-to-bellcrank	148	33287	Bracket, Air cleaner
103	28362	Bushing	149	650513	Nut, Wing, 1/4-20
104	30529	Nut, Lock	150	31782	Decal, Air cleaner
105	33273	Extension, Blower housing	157	33876	Gasket, Stator
106	650128	Screw, Phil. slotted hd. Sems, 10-24 x 1/2	161	610842	Magneto (The complete magneto is not available as an assembly. The magneto number is shown for reference purposes only. Order component parts individually, as shown in parts list.)
108	33381	Bracket Assy., Fuel tank mtg.			
109	33383	Bracket, Fuel tank mtg.			
110	30868	Screw, Hex hd. cap, Sems, 1/4-20 x 1/2	162	631783	Carburetor (Incl. No. 75)
112	650561	Screw, Phil. hex hd. Sems, 1/4-20 x 5/8	163	590479	Starter, Rewind
115	29752	Nut, Lock, 1/4-28	165	33278B	Gasket Set (Incl. Items marked *)
119	33756	Muffler			
120	650729	Screw, Hex hd. cap, 5/16-18 x 3/16			
121	31588	Pin, Muffler locking			
124	33350	Tank Assy., Fuel (Incl. Nos. 125 & 126)			
125	33395	Elbow, Fuel strainer (Incl. No. 125A)			

*Indicates Parts Included in Gasket Set, Ref. No. 165.

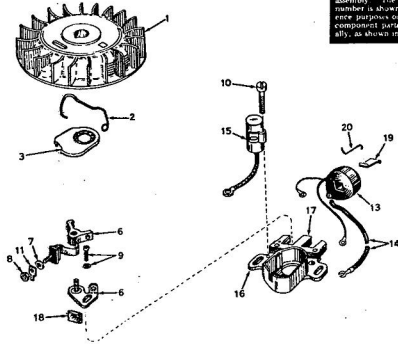
ALL ENGINE PARTS MUST BE ORDERED AND PURCHASED THROUGH YOUR LOCAL TECUMSEH DEALER

GIANT-TILLER MODEL NO. D84351R1 CARBURETOR NO. 631783



Ref. No.	Part No.	Part Name	Ref. No.	Part No.	Part Name
1	631783	Carburetor	13	631022	Clip, Inlet needle
2	631776	Shaft & Lever Assembly, Throttle	14	631023	Floater, Carburetor
3	631777	Spring, Throttle return	15	*81024	Shaft, Float
3	631778	Shutter, Throttle	16	631867	Bowl, Float
4	650698	Screw, Rd. hd. 4-40 x 3/16	21	27110	Gasket, Bowl-to-body
5	630766	Spring, Idle regulating screw	22	*631781	Adjustment Screw Assembly Main (Incl. Nos. 5A, 21, 23 & 30)
5A	630738	Spring, Main adjustment screw	23	630740	"O" Ring, Adjustment screw
6	650417	Screw, Idle regulating	24	*630898	Screw, Idle adjustment
7	631812	Shaft & Lever Assembly, Choke	25	*631028	Gasket, Bowl-to-body
8	630735	Spring, Choke positioning	26	631803	Fuel fitting
9	631763	Shutter, Choke	30	630739	Washer, Flat
10	*631746	Plug, Welch	31	631782	Repair Kit (Incl. Items marked *)
11	*631027	Plug, Welch			
12	*631021	Inlet Needle, Seat & Clip Assembly (Incl. No. 13)			

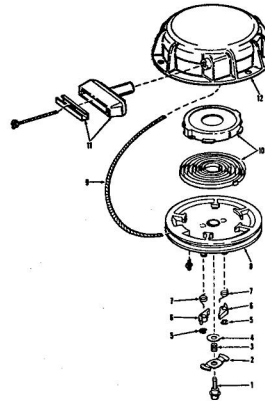
GIANT-TILLER MODEL NO. D84351R1
MAGNETO NO. 610842



The complete magneto is not available in an assembly. The magneto number is shown for reference purposes only. Other component parts include 14, 15, 16, 17, 18, 19, 20, 21, 22, 23, 24, 25, 26, 27, 28, 29, 30, 31, 32, 33, 34, 35, 36, 37, 38, 39, 40, 41, 42, 43, 44, 45, 46, 47, 48, 49, 50, 51, 52, 53, 54, 55, 56, 57, 58, 59, 60, 61, 62, 63, 64, 65, 66, 67, 68, 69, 70, 71, 72, 73, 74, 75, 76, 77, 78, 79, 80, 81, 82, 83, 84, 85, 86, 87, 88, 89, 90, 91, 92, 93, 94, 95, 96, 97, 98, 99, 100.

Ref. No.	Part No.	Part Name	Ref. No.	Part No.	Part Name
1	610842	Magneto	11	30543	Tab, Ground terminal
2	30551	Spring, Breaker box dust cover	12	30560A	Coil Assembly (Incl. Ref. No. 14)
3	610883	Cover & Gasket Assy.	14	30554	Wire, Ignition lead
6	30547A	Breaker Assembly	15	30548A	Condenser
7	610385	Washer, Terminal	16	30545	Core and Plate Group
8	610408	Nut, Terminal	17	30561A	Stator Assembly (Incl. Nos. 6 thru 16, 18, 19 & 20)
9	29181	Screw and Washer Assembly, Breaker	18	30549	Felt, Cam wiper
10	610593	Screw, Condenser fastening	19	29529	Spring, Coil wedge
			20	31311	Clip, Coil lockline

GIANT-TILLER MODEL NO. D84351R1
REWIND STARTER NO. 590479



Ref. No.	Part No.	Part Name	Ref. No.	Part No.	Part Name
1	590479	Rewind Starter	7	590485	Spring, Dog
2	590480	Screw, Center	8	590486	Pulley & Bearing Assy.
3	590481	Cam, Dog	9	590489	Rope, Starter
4	590482	Spring, Brake	10	590487	Spring & Keeper Assy.
5	32024	Washer, Brake	11	590397	Handle Assy., Starter
6	590483	Ring, Retainer	12	590488	Housing Assy., Starter