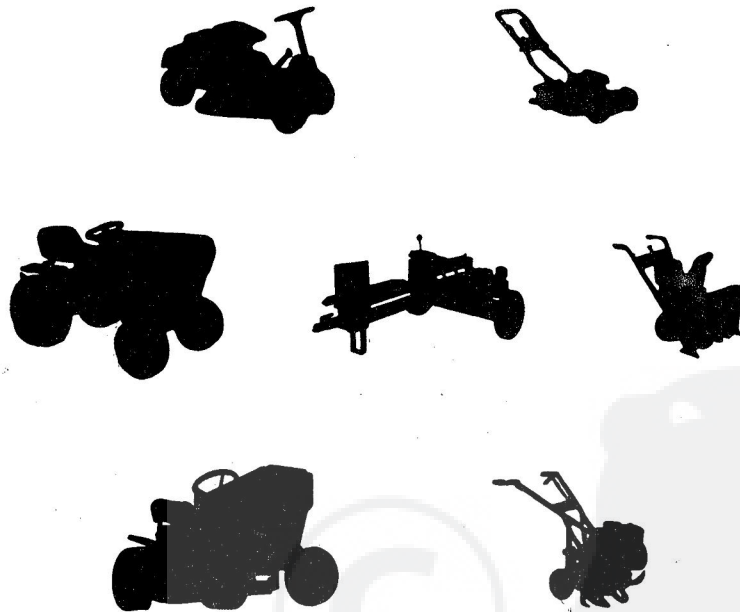


1988

# OWNER'S MANUAL

8 H.P. 26" REAR ENGINE  
RIDING LAWN MOWER  
MODEL NUMBER  
RER80AR AND RER80AT



LAWN AND GARDEN  
OUTDOOR POWER EQUIPMENT



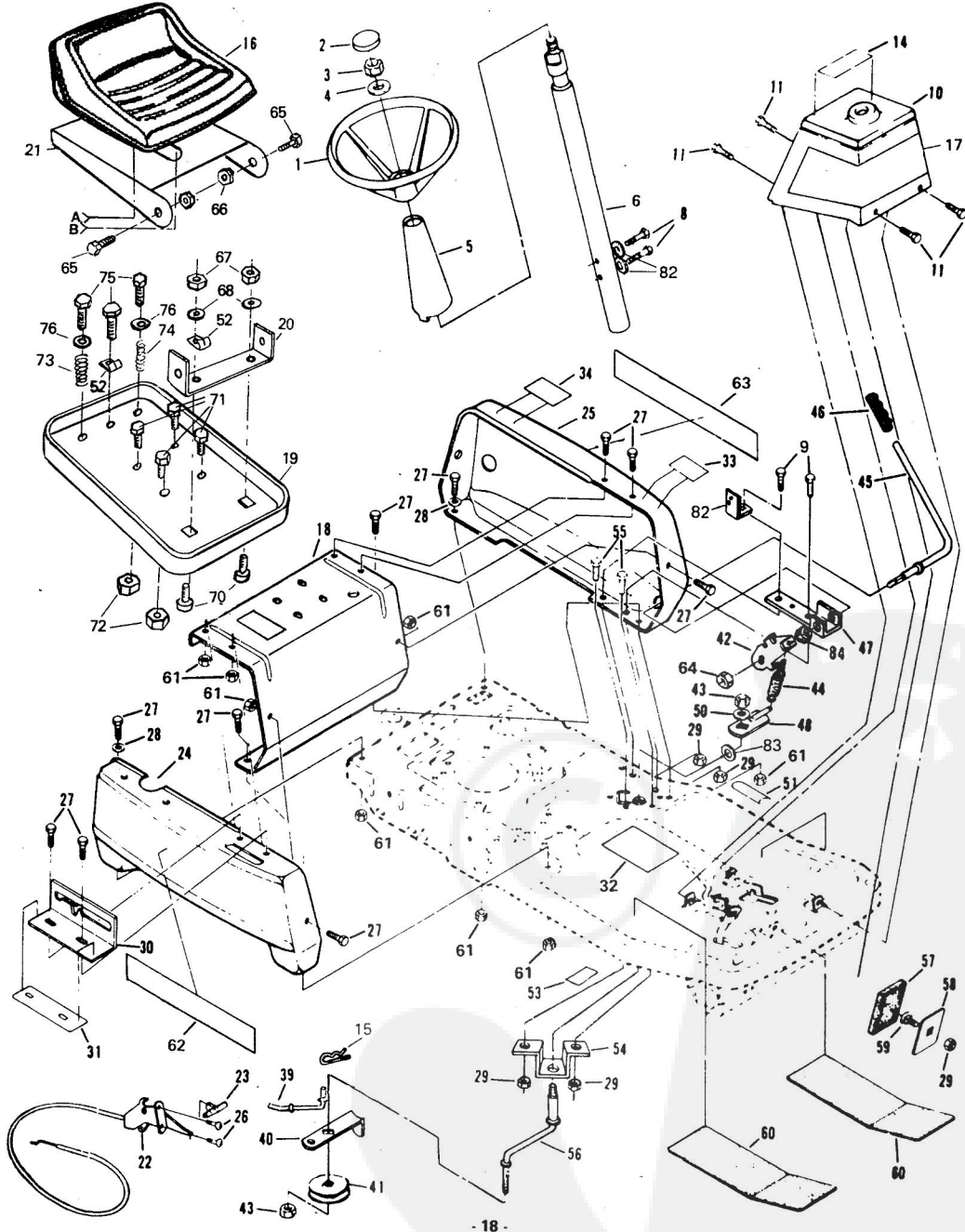
OUTDOOR POWER EQUIPMENT

DIVISION OF ROPER CORPORATION

12052 MIDDLEGROUND ROAD  
SAVANNAH, GEORGIA 31419

### REPAIR PARTS

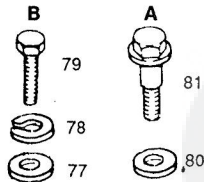
REAR ENGINE RIDING LAWN MOWER--MODEL NUMBER RER80AT AND RER80AR  
STEERING AND ENCLOSURE GROUP



## REPAIR PARTS

### REAR ENGINE RIDING LAWN MOWER--MODEL NUMBER RER80AT AND RER80AR STEERING AND ENCLOSURE GROUP

KEY NO.	PART NO.	DESCRIPTION	KEY NO.	PART NO.	DESCRIPTION
1	74564	Steering Wheel	43	73680600	Nut - Crownlock 3/8 - 16
2	1114J	Insert Cap	44	120484X	Spring
3	73360800	*Jam Nut 1/2 - 20	45	74538	Blade Clutch Lever
4	19171616	Washer 17/32 x 1 x 16 Ga.	46	71246	Grip
5	120048X	Steering Shaft Cover	47	110953X	Handle Bracket
6	110098X	Steering Shaft Assembly	48	75339	Control Arm Assembly
8	74780412	*Bolt, Hex 1/4 - 20 x 3/4	50	19131407	Washer 13/32 x 7/8 x 7 Ga.
9	72140508	*Bolt, Carriage 5/16 - 18 x 3/4	51	74559	Decal - Enter and Exit Model RER80AR
10	120047X012	Console Assembly	51	80455	Decal - Enter and Exit Model RER80AT
11	17490508	Screw, Hex Thread Rolling 5/16 - 18 x 1/2	52	2751J	Clip - Wire
14	75122	Decal - Operating Instructions Model RER80AR	53	376J	Decal - Clutch and Brake
14	80405	Decal - Operating Instructions Model RER80AT	54	74542	Idler Support Bracket
15	4921H	Spring - Retainer	55	74760512	*Bolt, Hex 5/16 - 18 x 3/4
16	121076X	Seat	56	6077J	Idler Arm
17	108601X	Decal - Console	57	67365	Foot Pad
18	110981X388	Front Panel	58	67189	Foot Pedal Plate
19	110963X	Support - Seat	59	72140506	Bolt, Sq. Neck Carriage 5/16 - 18 x 3/4 Gr. 5
20	105513X	Bracket - Pivot	60	72384	Floor Board Pad
21	121069X	Pan - Seat	61	73510500	Nut - Keps 5 16 - 18
22	110973X	Throttle Control (Inc. Key No. 23)	62	108600X	Decal - Fender, R.H.
23	61159	Knob - Remote Control	63	108599X	Decal - Fender, L.H.
24	8034J388	Panel - Side, R.H.	64	73930600	Nut - Centerlock 3/8 - 16
25	8033J388	Panel - Side, L.H.	65	105529X	Bolt - Shoulder 5/16 - 18
26	17760412	Screw, Phillips Truss Hd. Thread Cut 1/4 - 20 x 3/4 Type 23	66	73680500	*Locknut - Gripco 5/16 - 18
27	98000131	Screw, Hex Washer Hd. Machine 5/16 - 18 x 3/4	67	73680600	*Locknut - Gripco 3/8 - 16
28	19111816	Washer 11/32 x 1 - 1/8 x 16 Ga.	68	19131210	*Washer - 13/32 x 3/4 x 10 Ga.
29	73680500	Locknut - Gripco 5/16 - 18	70	72110606	*Bolt - Carriage 3/8 - 16 x 3/4
30	74706	Shifter Gate	71	98000131	*Screw - Hex Washer Head 5/16 - 18 x 3/4
31	74705	Decal - Shift, 5 Speed Model RER80AR	72	73510500	*Nut - Keps 5/16 - 18
31	108630X	Decal - Shift, 5 Speed Model RER80AT	73	121067X	Seat Spring, Right Hand
32	---	*Decal, OPEI, Caution Model RER80AR	74	121068X	Seat Spring, Left Hand
32	---	*Decal, OPEI, Caution Model RER80AT	75	17490612	*Screw Hex, Threadrolling 3/8 - 16 x 3/4
33	74561	Decal - Blade, Model RER80AR	76	19131614	*Washer 13/32 x 1 x 14 Ga.
33	8046X	Decal - Blade, Model RER80AT	77	19171912	*Washer 17/32 x 1 3/16 x 12 Ga.
34	74512	Decal - Engine, Rear Model RER80AR	78	10040800	*Washer - Lock Heavy 1/2
34	8037X	Decal - Engine, Rear Model RER80AT	79	74780816	*Bolt - Hex Grade 5 1/2 - 13 x 1
39	120393X	Blade Brake Rod	80	19151616	*Washer 15/32 x 1 x 16 Ga.
40	6278J	Belt Keeper	81	121094X	Bolt - Shoulder 5/16 - 18
41	6109J	Idler Pulley	82	10040400	*Washer - Lock 1/4
42	110954X	Arm Assembly - Spring	82A	110952X	Bracket Switch
			83	67359	*Washer - 25/64 x 2 3/8 x 8 Ga.
			84	73951000	Nut - Keps #10 - 32
			---	120189X	Owners Manual (English)
			---	101539X	Sheet-Instruction, Tractor 15° Slope (English)
			---	120124X	Owners Manual (French)
			---	101572X	Sheet - Instruction, Tractor 15° Slope (French)

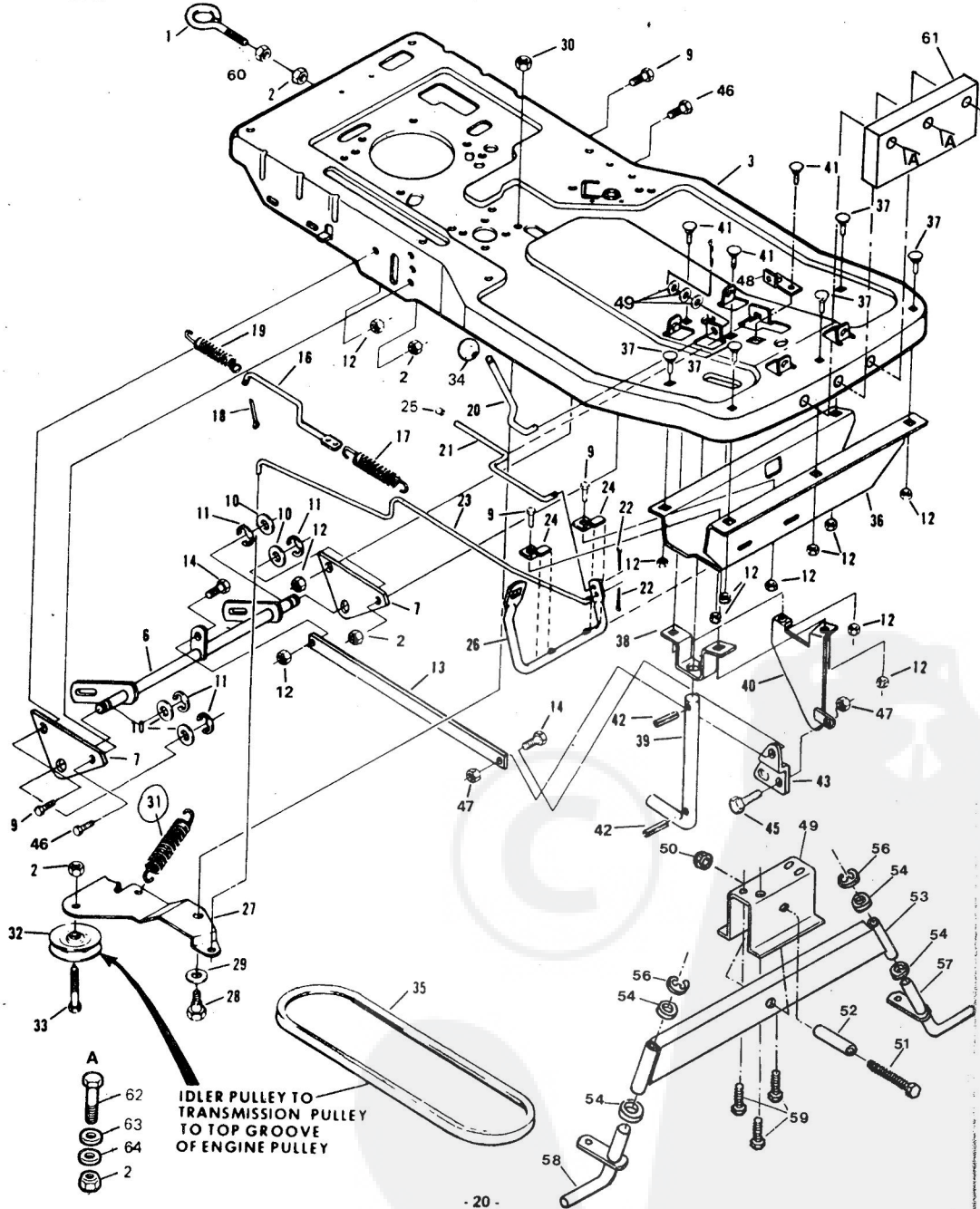


\*STANDARD HARDWARE--PURCHASE LOCALLY

\*\*Not a service part



CHASSIS  
REAR ENGINE RIDING LAWN MOWER--MODEL NUMBER RER80AT AND RER80AR





REAR ENGINE RIDING LAWN MOWER--MODEL NUMBER  
RER80AT AND RER80AR

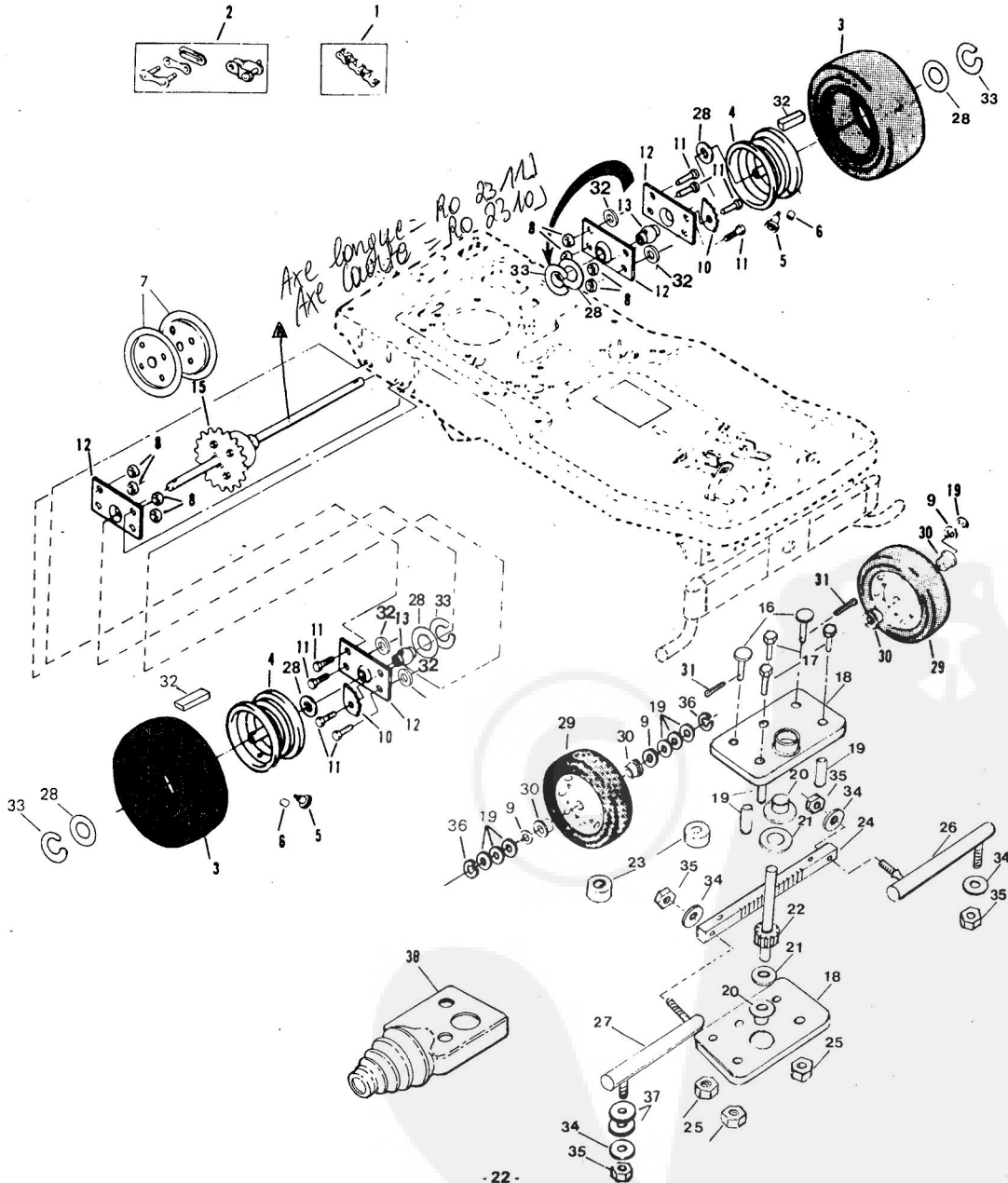
CHASSIS

KEY NO.	PART NO.	DESCRIPTION	KEY NO.	PART NO.	DESCRIPTION
1	3133J	Tow Hitch - Eyebolt	31	110991X	Spring - Idler
2	73680600	*Nut - Crownlock 3/8 - 16 UNC	32	53018	Pulley - Idler
3	110990X	Chassis	33	15760624	Bolt, Hex with Sems Lockwasher 3/8 - 16 x 1 1/2
6	677A774	Lever Arm Assembly	34	55862	Knob
7	110989X	Side Bracket	35	67346	V-Belt
9	74760512	*Bolt, Hex 5/16 - 18 x 3/4	36	110955X	Front Member Assembly
10	19211616	Washer 21/32 x 1 x 16 Ga.	37	72140506	Bolt, Carriage 5/16 - 18 x 3/4 Gr. 5
11	12000002	E-Ring	38	72375	Lifter Bracket
12	73680500	Locknut - Gripco 5/16 - 18	39	110978X	Housing Lifter
13	6276J	Parallel Bar	40	677A776	Bellcrank Bracket Assembly
14	6092J	Bolt, Shoulder	41	72140508	Bolt, Carriage 5/16 - 18 x 1 Gr. 5
16	72386	Brake Rod - Rear	42	74576	Drive Lock Pin - Type B
17	64284	Spring	43	110985X	Bellcrank
18	76020312	*Cotter Pin 3/32 x 3/4	45	68475	Bolt, Shoulder 5/16 - 18 x 3/4
19	62755	Spring	46	74760612	Bolt, Hex 3/8 - 16 x 3/4
20	110979X	Lifter Handle	47	73800500	Locknut - Hex w/Insert 5/16 - 18
21	72361	Parking Brake Rod	48	110984X	Bracket - Pivot
22	63640	Cotter Pin 5/64 x 3/4	49	110965X	Saddle - Front Axle
23	72393	Motion Clutch and Brake Rod	50	73680800	Nut - Crwnlk. 1/2 - 13
24	72360	Foot Pedal Clamp	51	74760856	Bolt - Hex 1/2 - 13 x 3 1/2
25	71673	Plunger Cap	52	4120J	Tube - Support
26	72387	Foot Pedal	53	110959X	Axle Asm.
27	67174	Motion Idler	54	71208	Bushing
28	101008K	Bolt, Shoulder 5/16 - 24	56	12000002	Ring - E 5133-62
29	19172410	Washer 17/32 x 1 - 1/2 x 10 Ga.	57	110967X	Kingpin, L.H.
30	73530500	*Nut, Lock 5/16 - 24	58	110968X	Kingpin, R.H.
			59	17490512	Screw - Hex, Threadrolling 5/16 - 18 x 3/4
			60	73350600	*Nut - Hex Jam 3/8 - 16
			61	120491X	Counterweight
			62	74760644	Bolt, Hex
			63	19132012	Washer
			64	19131210	Washer

\*STANDARD HARDWARE--PURCHASE LOCALL

**REPAIR PARTS**

REAR ENGINE RIDING LAWN MOWER--MODEL NUMBER RER80AT AND RER80AR  
WHEEL GROUP



## REPAIR PARTS

REAR ENGINE RIDING LAWN MOWER--MODEL NUMBER  
WHEEL GROUP RER80AT AND RER80AR

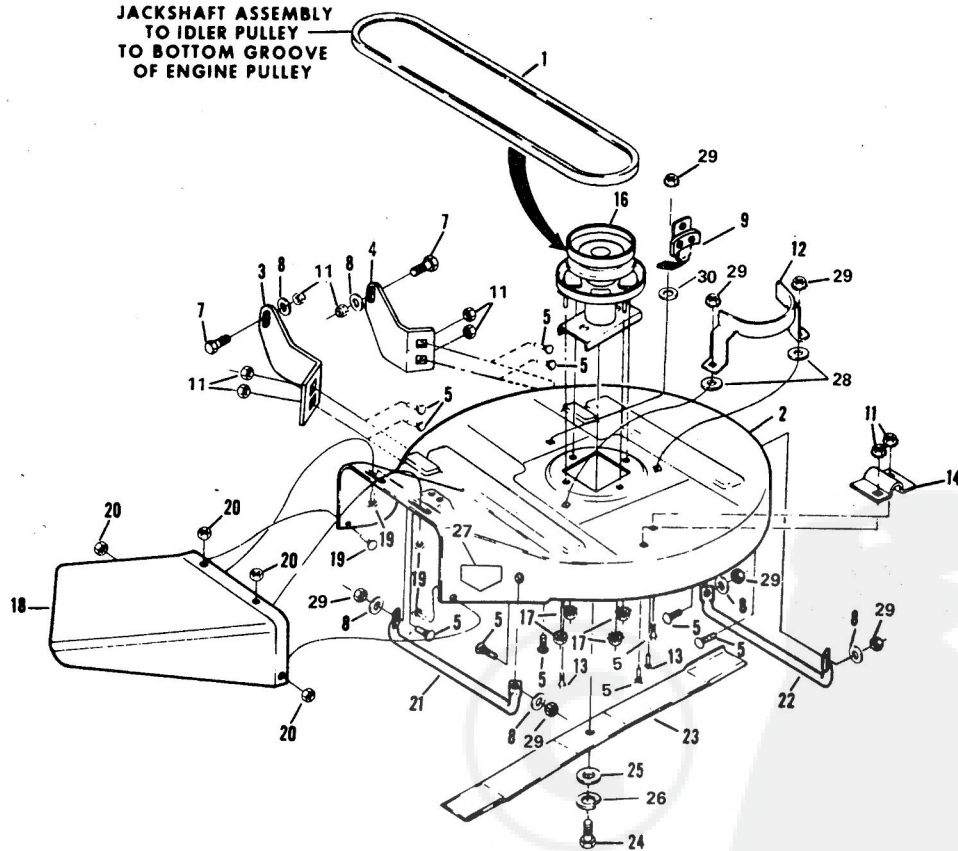
KEY NO.	PART NO.	DESCRIPTION	KEY NO.	PART NO.	DESCRIPTION
1	72818	Chain	16	110996X	Rivet - Drilled
2	60474	Repair Link Kit (Inc. Offset and Connecting Link)	17	74780420	Bolt - Hex 1/4 - 20 x 1 1/4 Gr. 5
3	70302	Tire 13 - 5.00 x 6	18	110982X	Plate - Rack & Pinion
...	79568	Tube - Tire (not furnished with tractor)	19	110980X	Spacer
4	70301	Rim - Rear	20	120183X	Bearing
5	65139	Valve Stem	21	101930X	Washer - Hardened
6	59192	Valve Cap	22	110966X	Shaft - Pinion
7	120125X	Chain Guide Plate	23	110983X	Roller - Rack Backup
8	73510500	Nut, Keps 5/16 - 18	24	120049X	Rack - Steering
9	19211612	Washer 21/32 x 1 x 12 Ga. (1 - 3 as required)	25	73680400	Nut - Crwnlk. 1/4 - 26
10	67703	Chain Adjustment	26	120395X	Rod - Tie, L.H.
11	74760516	*Bolt, Hex Hd. 5/16 - 18 x 1	27	120396X	Rod - Tie, R.H.
12	72382	Bearing Cup	28	1925016	Washer 25/32 x 1 1/4 x 16 Ga.
13	100520K	Bearing	29	102754X	Wheel and Tire Assembly 10.50 x 3.50 (Inc. Key No. 30)
15	110957X	Differential Assembly	30	64906	Bearing
			31	76020412	Pin - Cotter 1/8 x 3/4
			32	2703J	Key - Square 3/16 x 2
			33	12000001	E-Ring #5133-75
			34	10090400	*Washer - Lock Spring 1/4
			35	73610400	*Nut - Hex 1/4 - 28 UNF
			36	12000002	E-Ring
			37	19091610	Washer 1 4 x 1 x 10 Ga
			38	120128X	Drain Cover

\*STANDARD HARDWARE--PURCHASE LOCALLY



### REPAIR PARTS

REAR ENGINE RIDING LAWN MOWER--MODEL NUMBER  
RER80AT AND RER80AR  
MOWER



## REPAIR PARTS

MOWER

REAR ENGINE RIDING LAWN MOWER--MODEL NUMBER  
RER80AT AND RER80AR

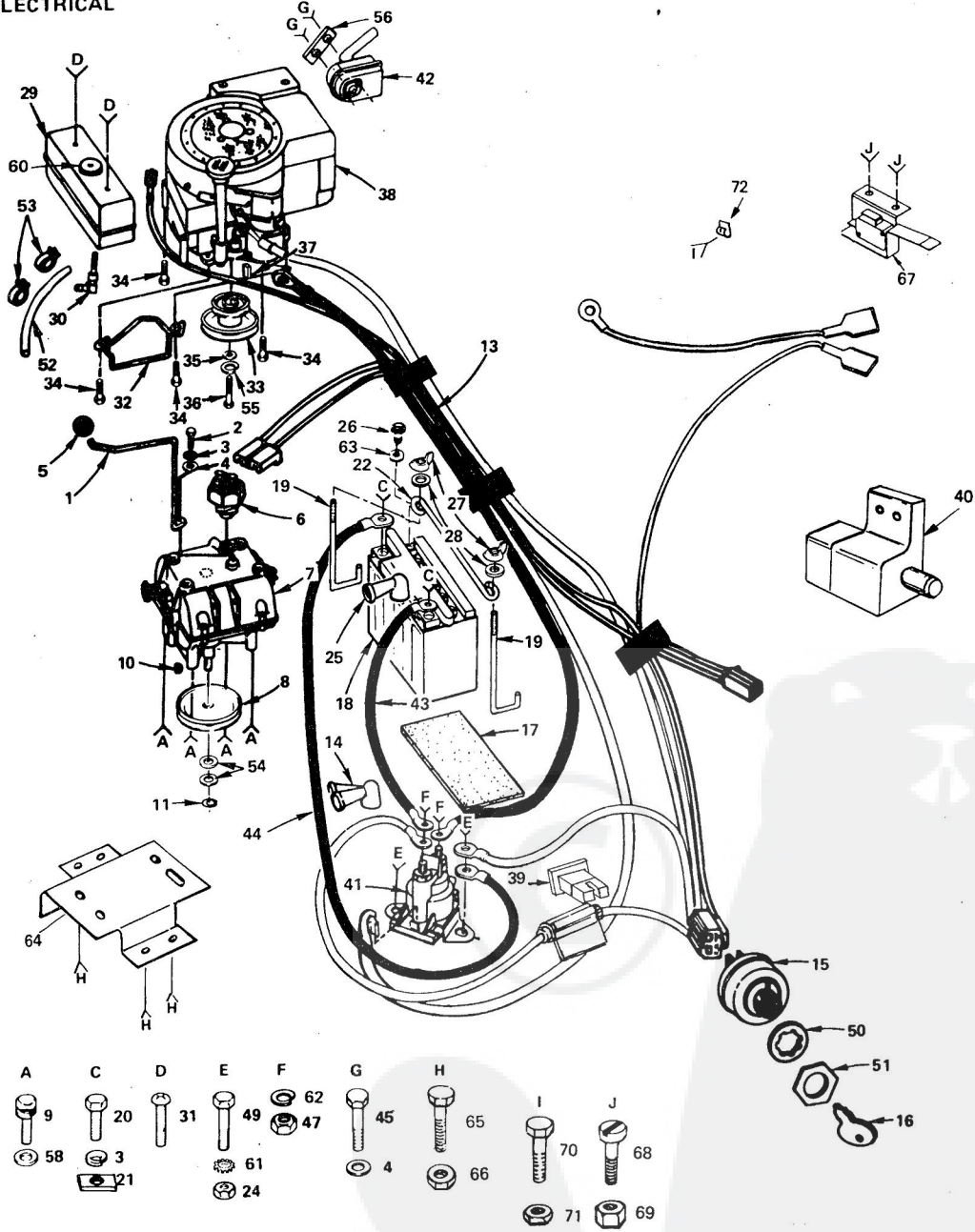
KEY NO.	PART NO.	DESCRIPTION
1	110975X	V-Belt
2	74668	Housing w/Silk Screening
3	74710	Housing Lifter - R.H.
4	74709	Housing Lifter - L.H.
5	72110506	Bolt, Carriage 5/16 - 18 x 3/4 Gr. 5
7	6091J	Bolt, Shoulder (Special) 5/16 - 18
8	19111216	Washer 11/32 x 3/4 x 16 Ga.
9	110289X	Brake Assembly
11	73680500	Locknut, Hex 5/16 - 18
12	6069J	Belt Snubber
13	72250508	Bolt - Sq. Nk. Carriage 5/16 - 18 x 1 Gr. 5
14	72368	Mower Support
16	110988X	Jackshaft Assembly
17	73680600	Nut - Crownlock 3/8 - 16
18	71534	Discharge Guard
19	72250406	* Bolt, Carriage 1/4 - 20 x 3/4 Gr. 5
20	73680400	Nut - Crownlock 1/4 - 20 UNC
21	74824	Skid - R.H.
22	74825	Skid - L.H.
23	75278	Blade
24	74610620	Hex Bolt - 3/8 - 24 x 1 - 1/4 Gr. 5
25	67354	Washer, 25/64 x 2 - 3/8 x 8 Ga.
26	10040600	* Lockwasher, Spring Heavy 3/8
27	78850	Warning Label Model Number RER80AR
27	107339X	Warning Label Model Number RER80AT
28	19131407	Washer 13/32 x 7/8 x 7 Ga.
29	73680500	Locknut - Gripco 5/16 - 18
30	19131407	Washer 13/32 x 7/8 x 7 Ga.



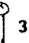
















\*STANDARD HARDWARE--PURCHASE LOCALLY

### REPAIR PARTS

REAR ENGINE RIDING LAWN MOWER--MODEL NUMBER RER80AT AND RER80AR

#### ELECTRICAL



- |   |   |   |   |   |   |   |   |   |
|---|---|---|---|---|---|---|---|---|
| A   | C   | D   | E   | F   | G   | H   | I   | J   |
|  |  |  |  |  |  |  |  |  |
|  |  |  |  |  |  |  |  |  |
|   |   |   |  |   |   |   |   |   |



**REPAIR PARTS**

REAR ENGINE RIDING LAWN MOWER--MODEL NUMBER  
RER80AT AND RER80AR

**ELECTRICAL**

KEY NO.	PART NO.	DESCRIPTION	KEY NO.	PART NO.	DESCRIPTION
1	110964X	Shift Lever	36	74770728	Bolt, Hex 7/16 - 20 x 1 - 3/4
2	74610408	Bolt, Hex 1/4 - 28 x 1/2 Gr. 5	37	9396E	Key - Square 1/4 Sq. x 2 lg.
3	10020400	Lockwasher 1/4	38	191707	Engine, 8 H.P. Briggs & Stratton Type No. 5831-01
4	19091216	Washer 9/32 x 3/4 x 16 Ga.	39	120121X	Fuse - 15 Amp.
5	55862	Knob	40	109553X	Switch - Interlock
6	74525	Switch - Transmission	41	109081X	Solenoid
7	74693	Transmission Assembly	42	6070J	Muffler
8	73541	Pulley - Transmission	43	6181J	Cable Assembly (Battery to Solenoid)
9	15760510	Bolt w/Sems Lockwasher 5/16 - 18 x 5/8	44	2098J	Cable Assembly (Battery to Ground)
10	2228M	Key, Woodruff	45	74780444	Bolt - Hex 1/4 - 20 x 2 - 3/4 Gr. 5
11	12000028	Retaining Ring	47	73350400	*Nut, Hex Jam 1/4 - 20 UNC
13	110951X	Wire Harness	49	74760412	*Bolt, Hex 1/4 - 20 x 3/4
14	51J	Cover - Terminal, Dual	50	11151000	Lockwasher, Internal Tooth 5/8
15	4406R	Ignition Switch	51	3258J	Nut - Flat
16	7552H	Key	52	7833R	Fuel Line
17	2965J	Pad - Battery	53	6999R	Fuel Line Clamp
18	101253M	Battery Pack (Inc. Key Letter "C")	54	19211621	Washer 21/32 x 1 x 21 Ga.
19	67188	Bolt - Battery	55	10040700	*Lockwasher 7 16
20	74760408	*Bolt - Hex 1/4 - 20 x 1/2	56	889J	Clip - Muffler
21	2002J	Nut - Special	58	19121410	Washer 3/8 x 7/8 x 10 Ga.
22	1592J	Rod - Battery	60	3605J	Cap - Filler
24	73220400	*Hex Nut 1/4 - 20	61	11050400	Washer - Lock 1/4 External Tooth
25	719J	Terminal Boot	62	10090400	Lockwasher 1/4
26	2223J	Cap - Battery	63	2224J	Gasket - Battery
27	73490400	*Nut - Wing 1/4 - 20	64	110995X	Support - Battery
28	19091016	*Washer 9/32 x 5/8 x 16 Ga.	65	74760412	Bolt - Hex 1/4 - 20 x 3/4
29	742J	Fuel Tank	66	73680400	Nut - Crwnlk. 1/4 - 20
30	739J	Fuel Tank Elbow	67	121064X	Switch, Seat
31	74310406	Screw, Truss Hd. Phillips 1/4-20 x 3/8	68	74681008	Screw, Pan Head, Slotted 10/32 x 1/2
32	677A201	Belt Keeper Assembly	69	73951000	Nut - Keps # 10 - 32
33	101389X	Engine Pulley	70	74780408	*Bolt - Hex 1/4 - 20 x 1/2 Gr. 5
34	17490624	Screw, Hex Hd. Thd. Rolling 3/8 - 16 x 1 - 1/2	71	73680400	Nut - Hex 1/4 - 20
35	19152405	Washer 15/32 x 1 - 1/2 x 5 Ga.	72	235R	Clip - Insulated

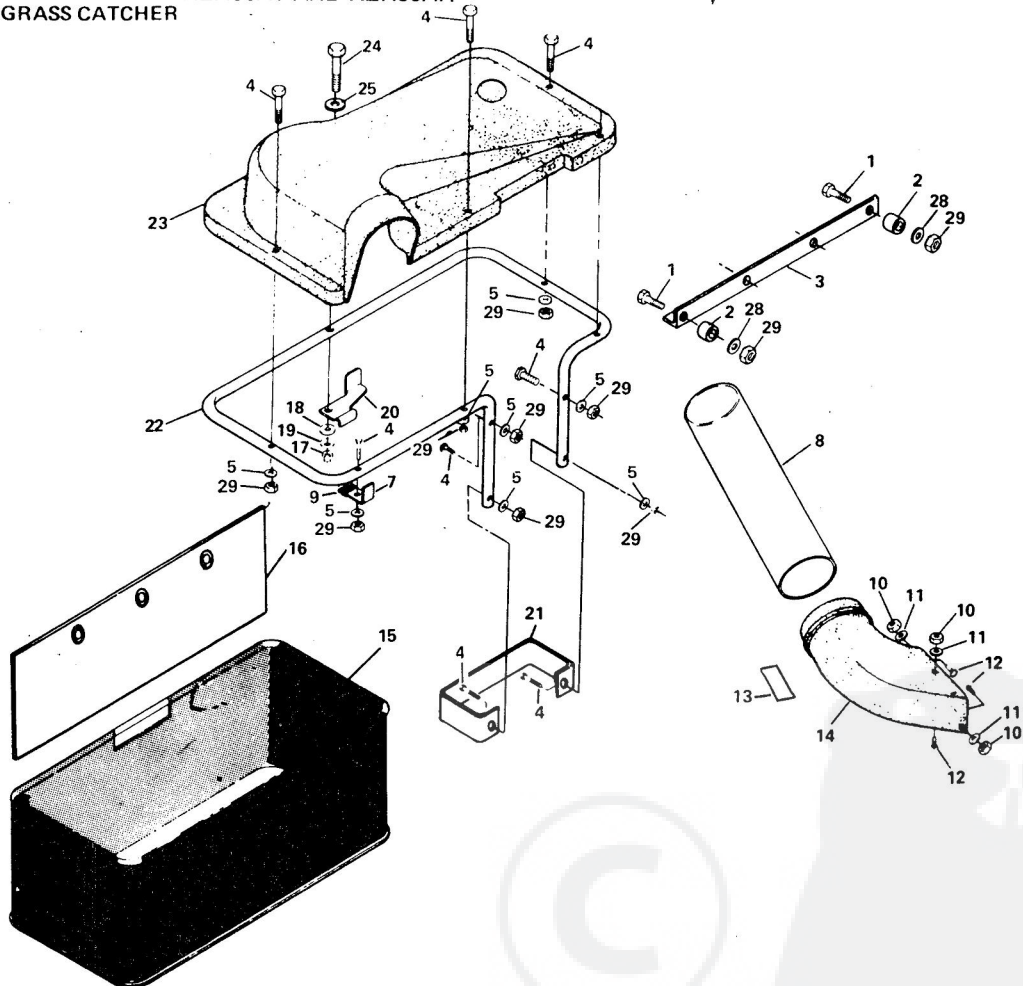
\*STANDARD HARDWARE--PURCHASE LOCALLY

**SPARK ARRESTER ASSEMBLY**

**677A771**

### REPAIR PARTS

REAR ENGINE RIDING LAWN MOWER--MODEL NUMBER  
RER80AT AND RER80AR  
GRASS CATCHER

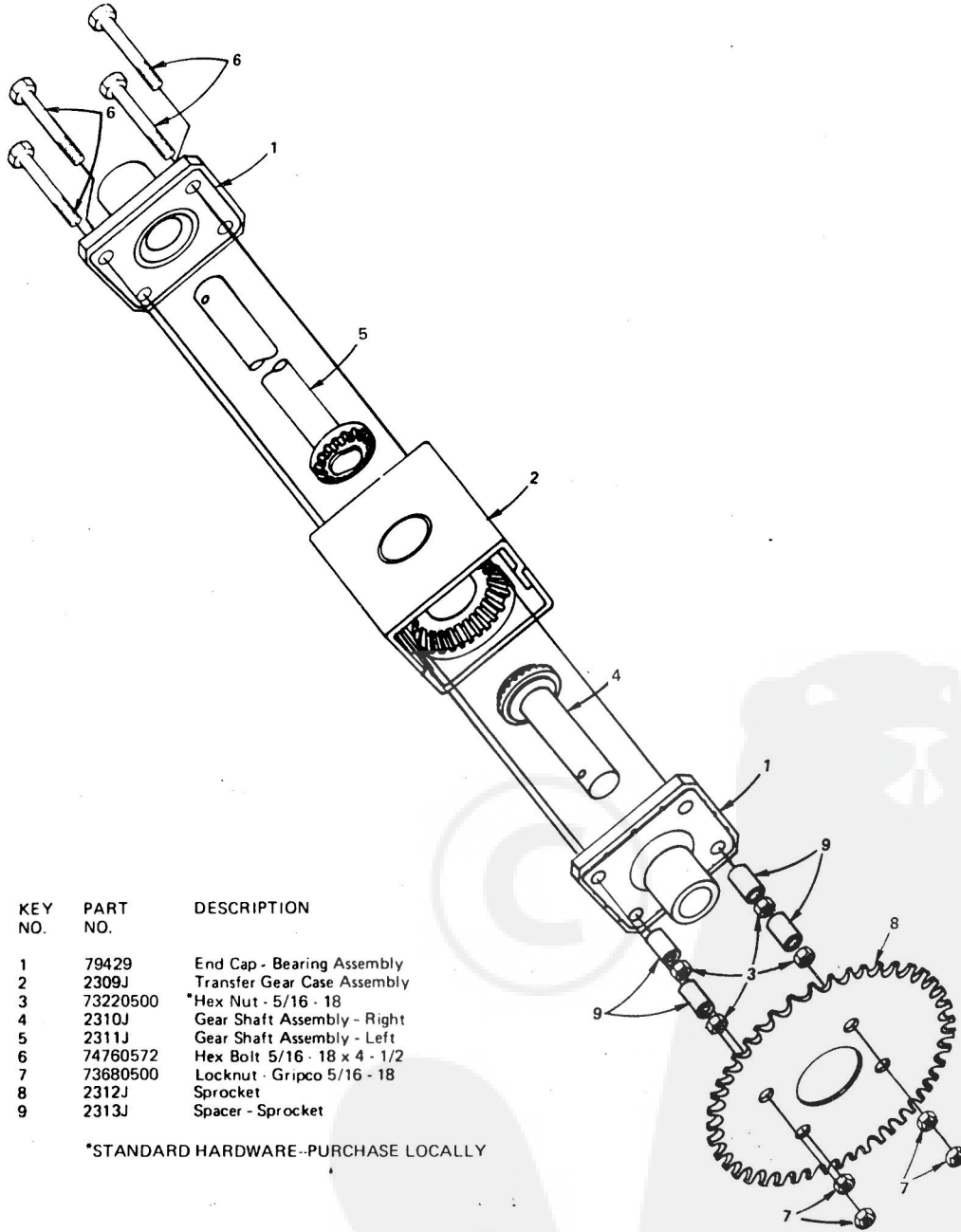


KEY NO.	PART NO.	DESCRIPTION
1	74760520	*Hex Hd. Bolt 5/16 - 18 x 1 - 1/4
2	4497J	Spacer
3	6110J	Brace
4	74780526	*Bolt - Hex 5/16 - 18 x 1 - 5/8
5	19111216	Washer 11/32 x 3/4 x 16 Ga.
7	74195	Bag Frame Support Assembly
8	73473	Tube
9	74194	Knob - Lever
10	73680400	Locknut 1/4 - 20
11	19091216	Washer 9/32 x 3/4 x 16 Ga.
12	72240408	*Carriage Bolt 1/4 - 20 x 1
13	8709J	Decal - Warning
14	73472	Chute Extension

KEY NO.	PART NO.	DESCRIPTION
15	8036J	Bag Assembly
16	605J	Dust Shield
17	73680600	Locknut 3/8 - 16
18	10040600	*Lockwasher 3/8
19	19131216	Washer 13/32 x 3/4 x 16 Ga.
20	73471	Bag Latch
21	75131	Bumper
22	6111J	Frame
23	75081	Frame Hood
24	74760632	*Hex Bolt 3/8 - 16 x 2
25	19131614	Washer 13/32 x 1 x 14 Ga.
28	19111412	Washer 11/32 x 7/8 x 12 Ga.
29	73680500	Locknut Gripco 5/16 - 18

\*STANDARD HARDWARE--PURCHASE LOCALLY

REAR ENGINE RIDING LAWN MOWER--MODEL NUMBER RER80AR AND RER80AT  
DIFFERENTIAL ASSEMBLY PART NUMBER I10957X



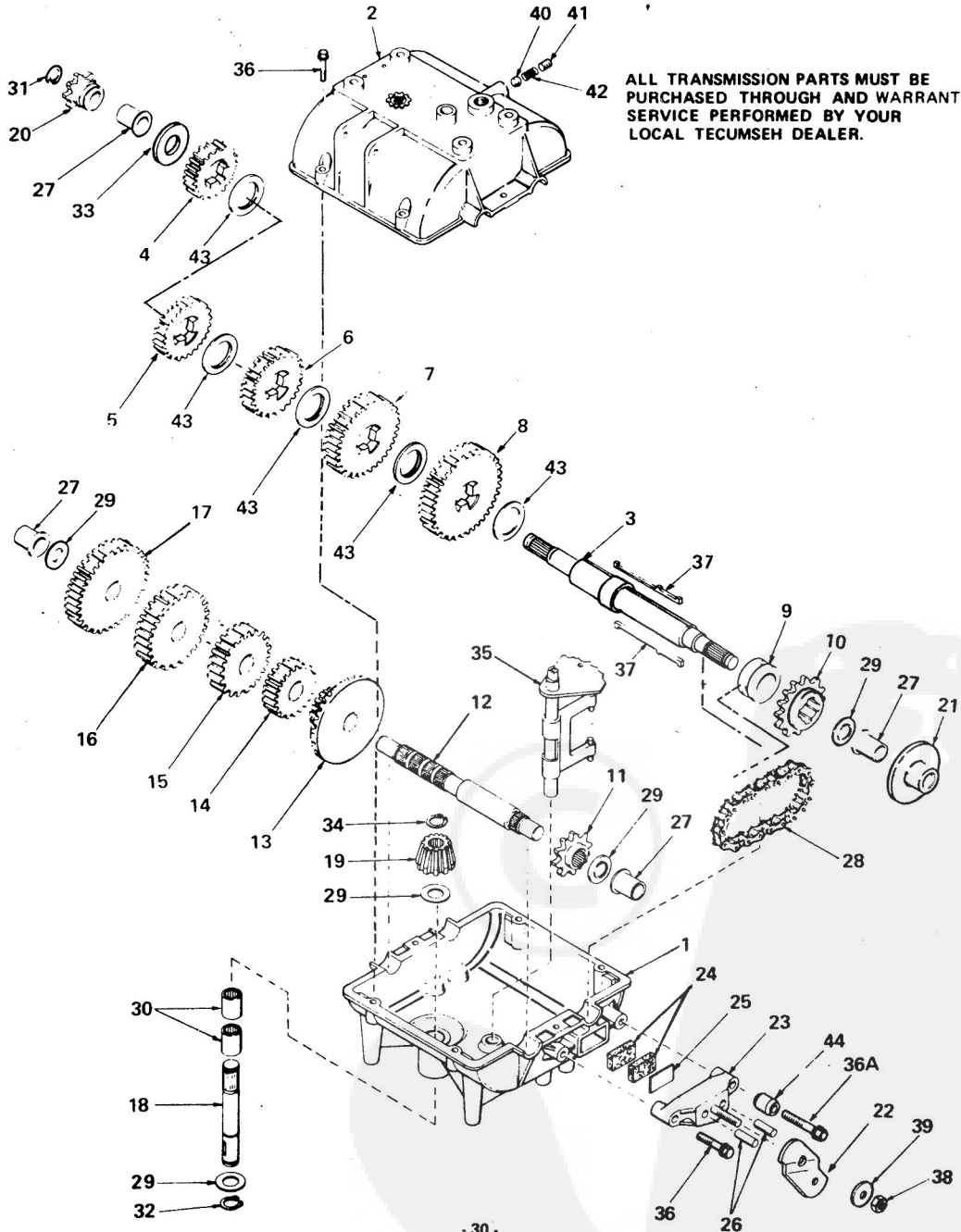
KEY NO.	PART NO.	DESCRIPTION
1	79429	End Cap - Bearing Assembly
2	2309J	Transfer Gear Case Assembly
3	73220500	*Hex Nut - 5/16 - 18
4	2310J	Gear Shaft Assembly - Right
5	2311J	Gear Shaft Assembly - Left
6	74760572	Hex Bolt 5/16 - 18 x 4 - 1/2
7	73680500	Locknut - Gripco 5/16 - 18
8	2312J	Sprocket
9	2313J	Spacer - Sprocket

\*STANDARD HARDWARE--PURCHASE LOCALLY



## REPAIR PARTS

REAR ENGINE RIDING LAWN MOWER--MODEL NUMBER RER80AR AND RER80AT  
TRANSMISSION MODEL NUMBER 719A



REAR ENGINE RIDING LAWN MOWER--MODEL NUMBER RER80AR AND RER80AT  
TRANSMISSION MODEL NUMBER 719A

KEY NO.	PART NO.	DESCRIPTION	KEY NO.	PART NO.	DESCRIPTION
	794213	Complete Transmission (719A)	25	790007	Plate, Brake pad
1	770061	Case, Transmission	26	786026	Pin, Dowel
2	772070	Cover, Transmission	27	780105	Bushing, Flanged
3	776161	Shaft, Output and Brake	28	786062	Chain, Roller (No. 41 chain, 22 links)
4	778121A	Gear, Spur (20 teeth)	29	780072	Race, Thrust
5	778122	Gear, Spur (22 teeth)	30	780106	Bearing, Needle
6	778123	Gear, Spur (25 teeth)	31	792072	Ring, Retaining
7	778124	Gear, Spur (30 teeth)	32	792035	Ring, Retaining
8	778125	Gear, Spur (35 teeth)	33	780109	Washer
9	784266	Collar, Shift	34	788040	Ring, Retaining
10	786060	Sprocket (14 teeth)	35	784267	Rod & Fork Assy., Shift
11	786061	Sprocket (10 teeth)	36	792073	Screw, Hex hd. taptite, 1/4 - 20 x 1 - 1/4
12	776134	Shaft, Counter	36A	792085	Screw, Hex hd. taptite, 1/4 - 20 x 2 - 1/4
13	778109	Gear, Bevel (42 tooth and 15 tooth spur gear)	37	792089A	Key
14	778126	Gear, Spur (20 teeth)	38	792075	Nut, 5/16 - 24 lock
15	778127	Gear, Spur (25 teeth)	39	792076	Washer, Flat, 5/16
16	778128	Gear, Spur (28 teeth)	40	792077	Ball, Steel, 5/16"
17	778129	Gear, Spur (30 teeth)	41	792078	Screw, Set, 3/8 - 16 x 3/8
18	776135	Shaft, Input	42	792079	Spring
19	778113	Bevel pinion, Input	43	780108	Washer, Thrust
20	786047	Sprocket (8 teeth)	44	786067	Spacer
21	790003	Disk, Brake			
22	790004	Lever, Brake			
23	790005	Holder, Brake pad			
24	790006	Pad, Brake			

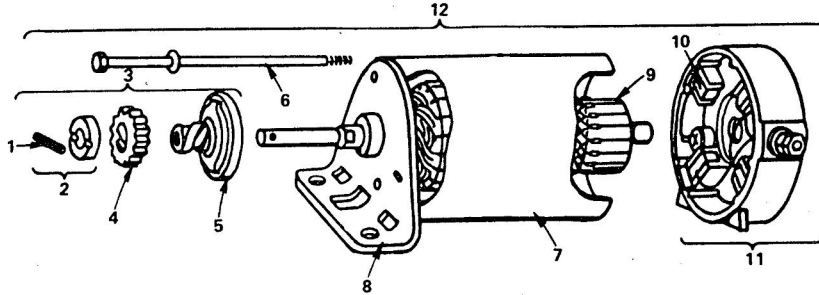
ALL WARRANTY REPAIRS MUST BE  
PERFORMED BY AN AUTHORIZED  
TECUMSEH DEALER, REFER TO PAGE 38.

### REPAIR PARTS

REAR ENGINE RIDING LAWN MOWER--MODEL NUMBER RER80AR AND RER80AT  
ENGINE--MODELNUMBER 191707, TYPE NUMBER 5831-01

#### STARTER MOTOR GROUP

ALL ENGINE PARTS MUST BE PUR-  
CHASED THROUGH AND WARRANTY  
SERVICE PERFORMED BY YOUR LO-  
CAL BRIGGS AND STRATTON DEALER.



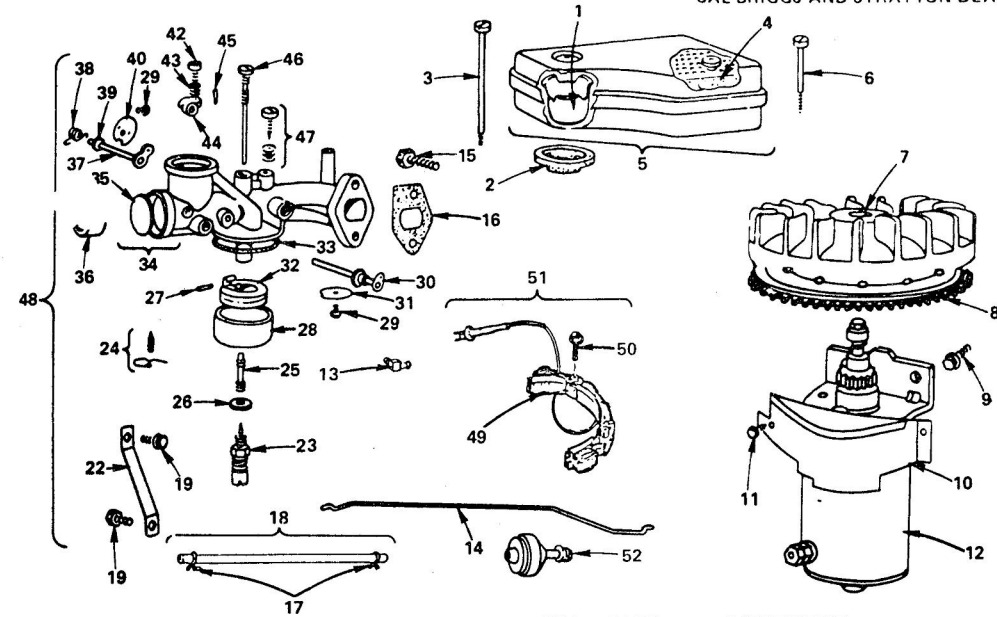
KEY NO.	PART NO.	DESCRIPTION
1	93754	Roll Pin
2	391462	Retainer and Pin (Inc. Key No. 1)
3	391461	Drive Assembly (Inc. Key No's. 1, 2, 4 & 5)
4	280104	Gear
5	391135	Clutch Assembly
6	94003	Thru Bolt Assembly
7	393825	Housing Assembly
8	394856	End Cap Assembly Drive
9	392747	Armature Assembly
10	395538	Brush Assembly
11	395537	End Cap Assembly Commutator (Inc. Key No. 10)
12	394805	Motor and Drive Assembly (Inc. Key No's. 1, 2, 3, 4, 5, 6, 7, 8, 9, 10 & 11)



REAR ENGINE RIDING LAWN MOWER--MODEL NUMBER RER80AR AND RER80AT  
ENGINE--MODELNUMBER 191707, TYPE NUMBER 5831-01

CARBURETOR

ALL ENGINE PARTS MUST BE PURCHASED THROUGH AND WARRANTY SERVICE PERFORMED BY YOUR LOCAL BRIGGS AND STRATTON DEALER.

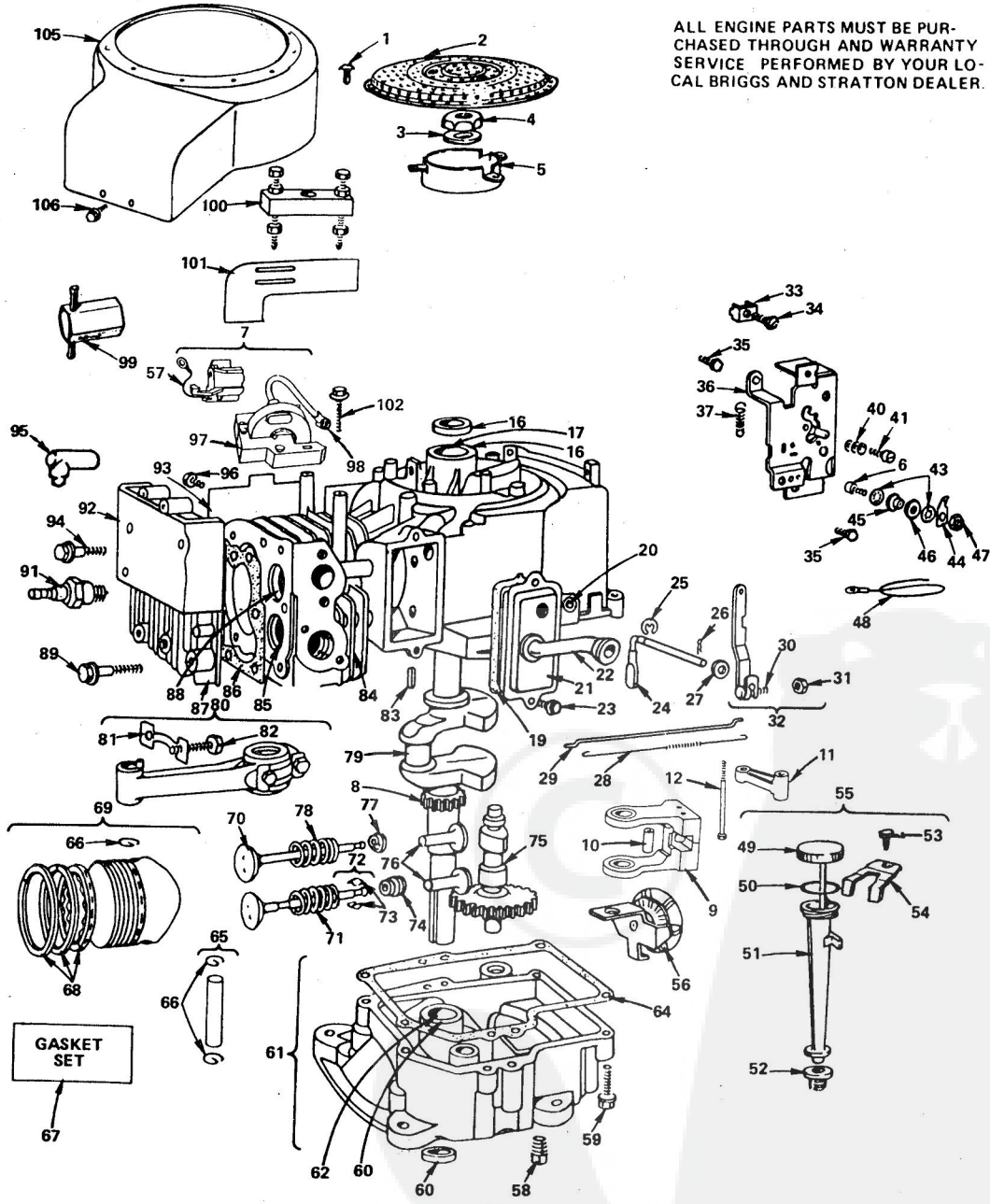


KEY NO.	PART NO.	DESCRIPTION	KEY NO.	PART NO.	DESCRIPTION
1	222149	Cup - Air Cleaner	29	93499	Screw - Throttle & Choke Valve Mtg. Sem
2	270539	Gasket - Air Cleaner	30	391512	Shaft & Lever - Throttle
3	93323	Screw - Air Cleaner	31	221986	Valve Throttle
4	270528	Element - Air Cleaner	32	299707	Float - Carburetor
5	391399	Cleaner Assy. Air (Inc. Key No's. 1 & 4)	33	270511	*Gasket - Float Bowl
6	93622	Screw - Air Cleaner	34	299851	Body Assy. - Lower Carburetor (Inc. Key No. 35)
7	391983	Flywheel & Ring Gear Assy. - Magneto	35	221997	Plug - Welch
8	392134	Gear - Ring	36	211682	Venturi - Carburetor
9	93523	Screw - Sem	37	390684	Shaft & Lever Choke
10	395405	Cover & Shield - Starter (Inc. Key No. 11)	38	261116	Spring - Choke Return
11	93984	Screw - Sem	39	270382	Washer - Choke Shaft
12	394805	Motor & Drive Assy.	40	222010	Valve - Choke
13	67218	Connector - Fuel Pipe	42	91920	Screw - Machine, Fill. Hd. 8 - 32 x 5/8"
14	261117	Link - Choke	43	26157	Spring - Throttle Adjustment
15	93357	Screw - Carburetor Mtg.	44	211712	Stop - Throttle
16	270824	Gasket - Carburetor Mtg.	45	93043	Pin - Throttle Stop
17	93053	Clamp - Fuel Pipe	46	299740	*Nozzle - Carburetor.
18	296004	Pipe - Fuel	47	292681	*Valve Assembly - Carburetor Idle Carburetor Assy. (Inc. Key No's. 19, 22, 23, 24, 25, 26, 27, 28, 29, 30, 31, 32, 33, 34, 35, 36, 37, 38, 39, 40, 42, 43, 44, 45, 46 & 47)
19	93572	Screw	48	390811	
22	222027	Bracket - Carburetor	49	393814	Connector Assembly
23	391233	*Valve - Needle	50	93621	Screw - Sem
24	394681	*Valve - Fuel Inlet	51	391529	Stator Assy. - Alternator
25	230932	*Screw - Nozzle	52	298090	Filter - Fuel
26	222014	*Washer - Float Bowl	...	394698	Carburetor Overhaul Kit (Inc. Parts Marked *)
27	230896	*Pin - Float Hinge			
28	221995	Bowl - Float			

### REPAIR PARTS

REAR ENGINE RIDING LAWN MOWER--MODEL NUMBER RER80AR AND RER80AT  
ENGINE--MODELNUMBER 191707, TYPE NUMBER 5831-01

#### CYLINDER, CRANKSHAFT & ENGINE BASE GROUP



### REPAIR PARTS

REAR ENGINE RIDING LAWN MOWER--MODEL NUMBER RER80AR AND RER80AT  
ENGINE--MODELNUMBER 191707, TYPE NUMBER 5831-01

#### CYLINDER, CRANKSHAFT & ENGINE BASE GROUP

KEY NO.	PART NO.	DESCRIPTION	KEY NO.	PART NO.	DESCRIPTION
1	93805	Screw - Sem	64	27750	+Gasket - Crankcase Cover - 1/64" thick
2	222562	Screen - Flush Rotating	64	27876	+Gasket - Crankcase Cover - .005" thick
3	220865	Washer - Spring	64	27877	+Gasket - Crankcase Cover - .009" thick
4	92284	Nut - Flywheel	65	295840	Pin Assy. - Piston - Std. (Inc. Key No. 66)
5	222561	Cup - Screen Mounting	65	295841	Pin Assy. - .005" O.S.
6	91920	Screw - Terminal	66	68546	Lock - Piston Pin
7	395492	Armature Group	67	299577	Gasket Set
8	261195	Gear - Timing	68	391669	Ring Set - Piston - Std.
9	390172	Counterweight Assembly	68	391670	Ring Set - Piston - .010" O.S.
10	298909	Pin - Counterweight	68	391671	Ring Set - Piston - .020" O.S.
11	212359	Link - Counterweight	68	391672	Ring Set - Piston - .030" O.S.
12	93874	Screw - Counterweight	69	391673	Piston Assy. - Std. (Inc. Key No's. 66 & 68)
15	396269	Cylinder Assembly (Inc. Key No. 16)	69	391674	Piston Assy. - .010" O.S.
16	294606	Seal - Oil	69	391675	Piston Assy. - .020" O.S.
17	391726	*Bushing - Cylinder (Inc. Key No. 16)	69	391676	Piston Assy. - .030" O.S.
19	27803	+Gasket - Valve Cover	70	261055	Valve - Intake
20	231055	Bushing - Governor Crank	71	26828	Spring - Exhaust Valve
21	391406	Breather Assembly	72	390419	Valve - Exhaust (Inc. Key No. 73)
22	280005	Tube - Breather	73	93630	Retainer - Exhaust Valve Rotocoil
23	93394	Screw - Sem	74	292260	Rotocoil - Exhaust Valve
24	231058	Crank - Governor	75	211689	Gear - Cam
25	93307	Retainer - E-Ring	76	260933	Tappet - Valve
26	93306	Cotter - Hair Pin	77	221596	Retainer - Intake Valve
27	222450	Washer - Governor Lever	78	65906	Spring - Intake Valve
28	260584	Spring - Gov. Link	79	390370	Crankshaft
29	260971	Link - Governor	80	390402	Rod Assy. - Connecting (Inc. Key No's. 81 & 82)
30	92613	Bolt - Governor Lever	81	222114	Lock - Connecting Rod Screw
31	231082	Nut - Hex, 10 - 24	82	92659	Screw - Connecting Rod
32	391733	Lever Assy. - Governor (Inc. Key No's. 30 & 31)	83	222698	Key - Flywheel
33	221535	Clamp - Casing	84	231218	*Guide - Exhaust Valve
34	93496	Screw - Sem	85	211661	*Seat - Exhaust Valve (Std.)
35	93572	Screw	86	270430	Gasket - Cylinder Head
36	390662	Plate - Gov. Control	87	212286	Head - Cylinder
37	261306	Spring - Governor	88	211661	*Seat - Intake Valve (Std.)
40	26157	Spring - Throttle Adjustment	89	93723	Screw - Cylinder Head
41	91920	Screw - Machine, Fill. Hd. 8 - 32 x 5/8"	91	293918	*+Plug - Spark
43	92791	Washer - Lock - Shakeproof	92	222636	Cover - Cylinder Head
44	93722	Terminal - Spade	93	222830	Shield - Cylinder
45	66554	Collar - Insulating	94	93211	Screw - Cylinder Head
46	66068	Washer - Insulating	95	66538	Elbow - Spark Plug
47	90576	Nut - Hex 8 - 32	96	93163	Screw - Cylinder Shield Mtg. Sem
48	299500	Wire - Ground	97	395326	Armature Assy. (Less Trigger Coil)
49	391840	Cap & Dipstick - Oil Filler	98	221798	Terminal - Ignition Cable
50	270920	Seal - Filler Cap	99	89838	Wrench - Spark Plug
51	280133	Tube - Oil Filler	100	19165	Puller - Flywheel
52	68838	Seal - Filler Tube	101	221760	Guide - Air
53	93804	Screw - Clamp Mtg.	102	93381	Screw - Armature Mtg. Sem
54	222502	Clamp - Oil Filler Tube	105	391379	Housing - Blower
55	392066	Filler Group - Oil (Inc. Key No's. 49, 50, 51, 52, 53 & 54)	106	93158	Screw - Blower Hsg. Mtg. Sem
56	392718	Oil Slinger, Gov. Gear & Brkt. Assy.			*Special Tools Required to Install
57	394970	Trigger Coil			*Included in Gasket Set - Part No. 299577
58	91084	Plug - Oil Drain			*+CANADIAN CUSTOMERS IN COMPLIANCE WITH RADIO INTERFERENCE REGULATIONS CERTIFIED MUST REPLACE SPARK PLUG WITH RESISTOR SPARK PLUG ONLY.
59	93585	Screw - Sump Mtg. Sem			
60	391086	Seal - Oil			
61	392548	Sump - Oil (Inc. Key No's. 60 & 64)			
62	295963	*Bushing - Oil Sump (Inc. Key No. 60)			