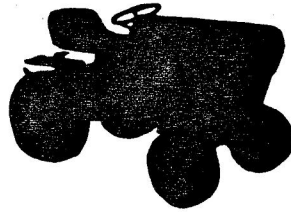


OWNER'S MANUAL

10 H.P. 36" RIDING LAWN TRACTOR MODEL NUMBER L0239AR



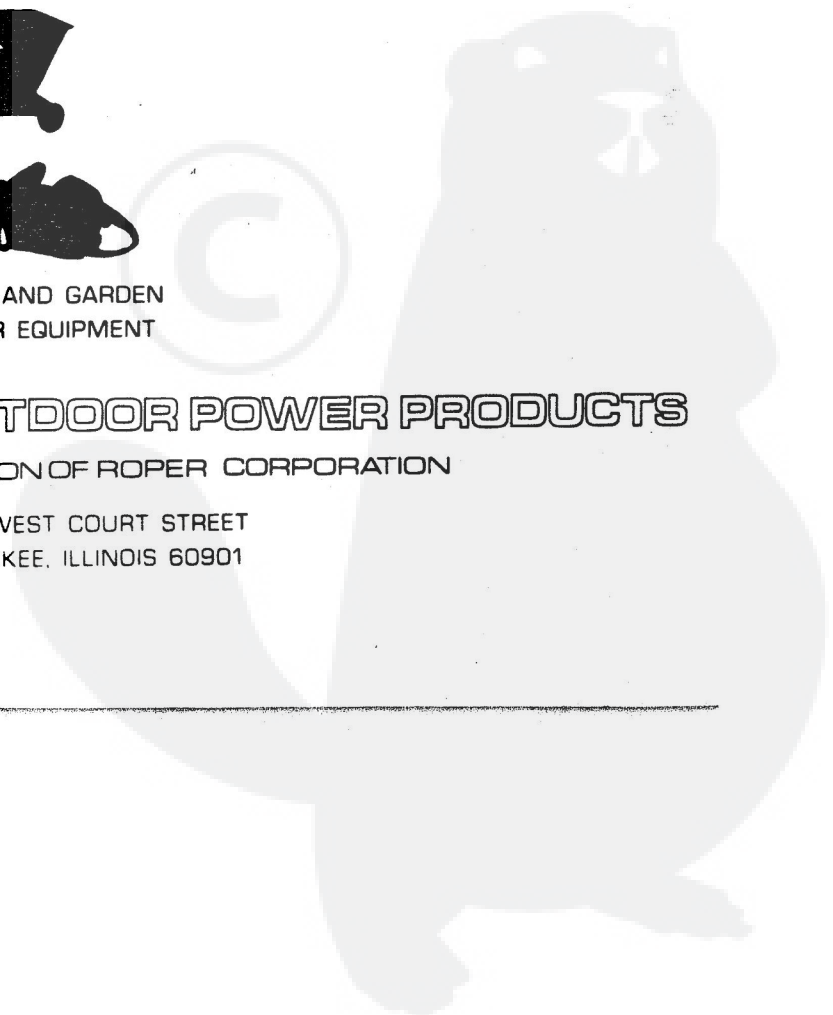
LAWN AND GARDEN
POWER EQUIPMENT

ROPER

OUTDOOR POWER PRODUCTS

DIVISION OF ROPER CORPORATION

1905 WEST COURT STREET
KANKAKEE, ILLINOIS 60901



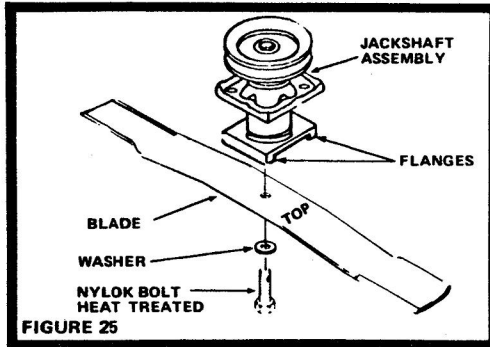


FIGURE 25

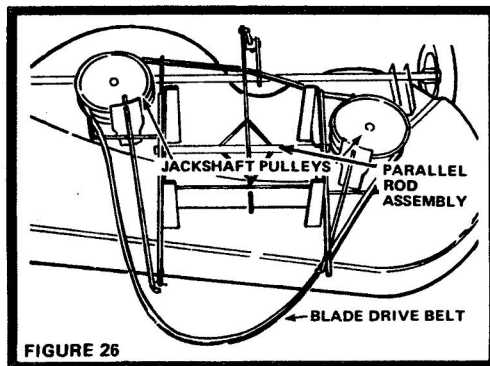


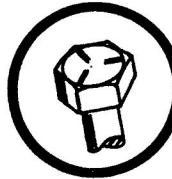
FIGURE 26

BLADE REPLACEMENT

1. Remove Bolt (turn counterclockwise) and Washer (Fig. 25).
2. Place new Blade between Flanges, (the word "TOP" is stamped on all blades to assure proper installation) and secure with Bolt and Washer previously removed. **TIGHTEN SECURELY.**



ALWAYS USE GRADE 5 HEAT TREATED BOLTS TO ATTACH BLADES. CHECK BOLTS IN BLADES OCCASIONALLY TO MAKE SURE BOLTS ARE TIGHT. TORQUE BOLTS 27 - 35 FT. LBS.



A GRADE 5 HEAT TREATED BOLT CAN BE IDENTIFIED BY THREE LINES INDICATED ON THE BOLT HEAD AS SHOWN AT LEFT.

BELT REPLACEMENT BLADE DRIVE

1. Remove Mower from Tractor (see page 11).
2. Remove the Belt from around both Jackshaft Pulleys and away from the mower through the opening at the rear of the Parallel Rod Assembly (Fig. 26).
3. To install new Belt, reverse the above procedure.

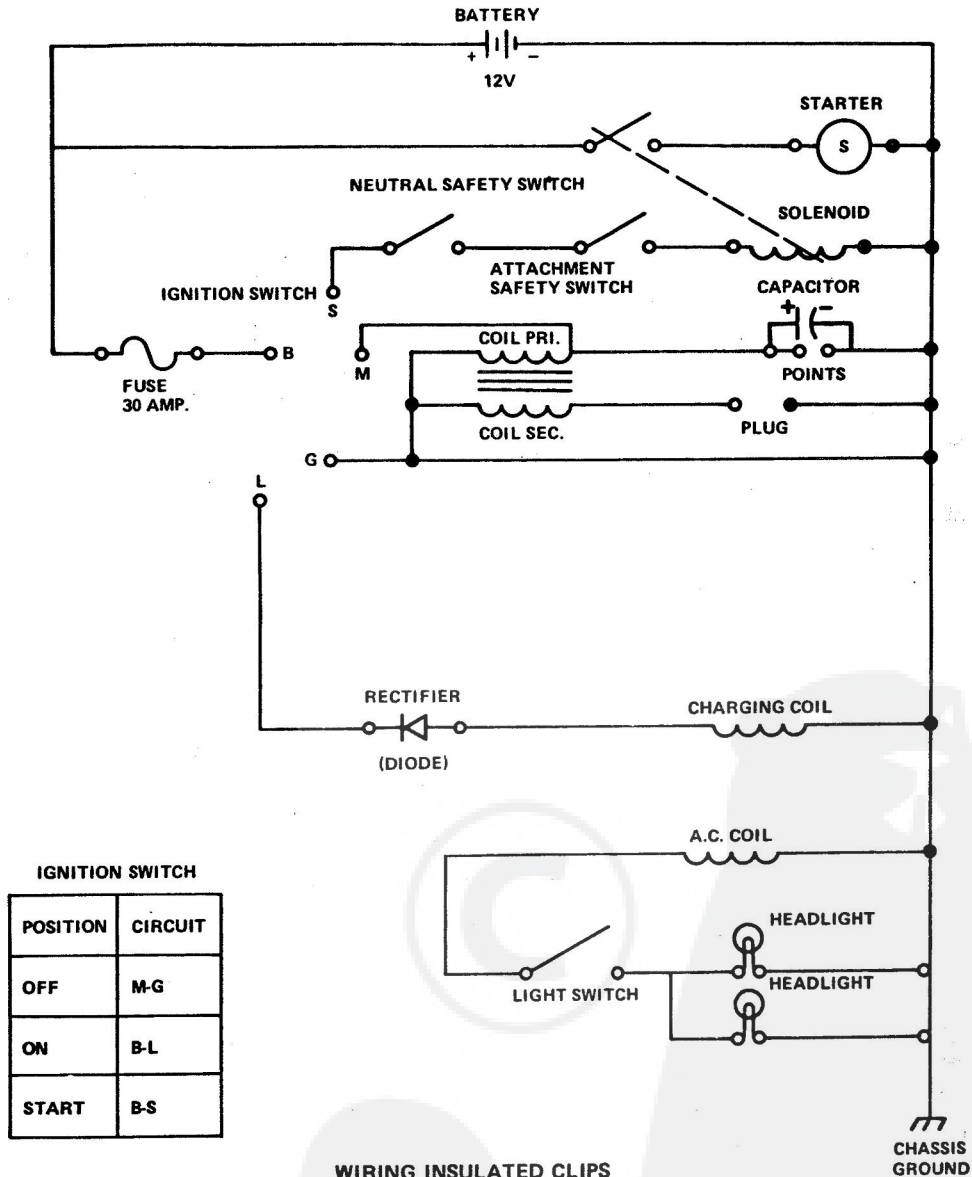
STORAGE

When mower is to be stored for a period of time, clean it thoroughly, remove all dirt, grease, leaves, etc. Give blades and underside of housing a good coat of grease or rust preventative. Store in a clean dry area.

Roper Corporation reserves the right to make any changes in design or improvements without imposing any obligation to install the same upon its items heretofore manufactured.

36" RIDING LAWN TRACTOR--MODEL NUMBER L0239AR

SCHEMATIC DIAGRAM



IGNITION SWITCH

POSITION	CIRCUIT
OFF	M-G
ON	B-L
START	B-S

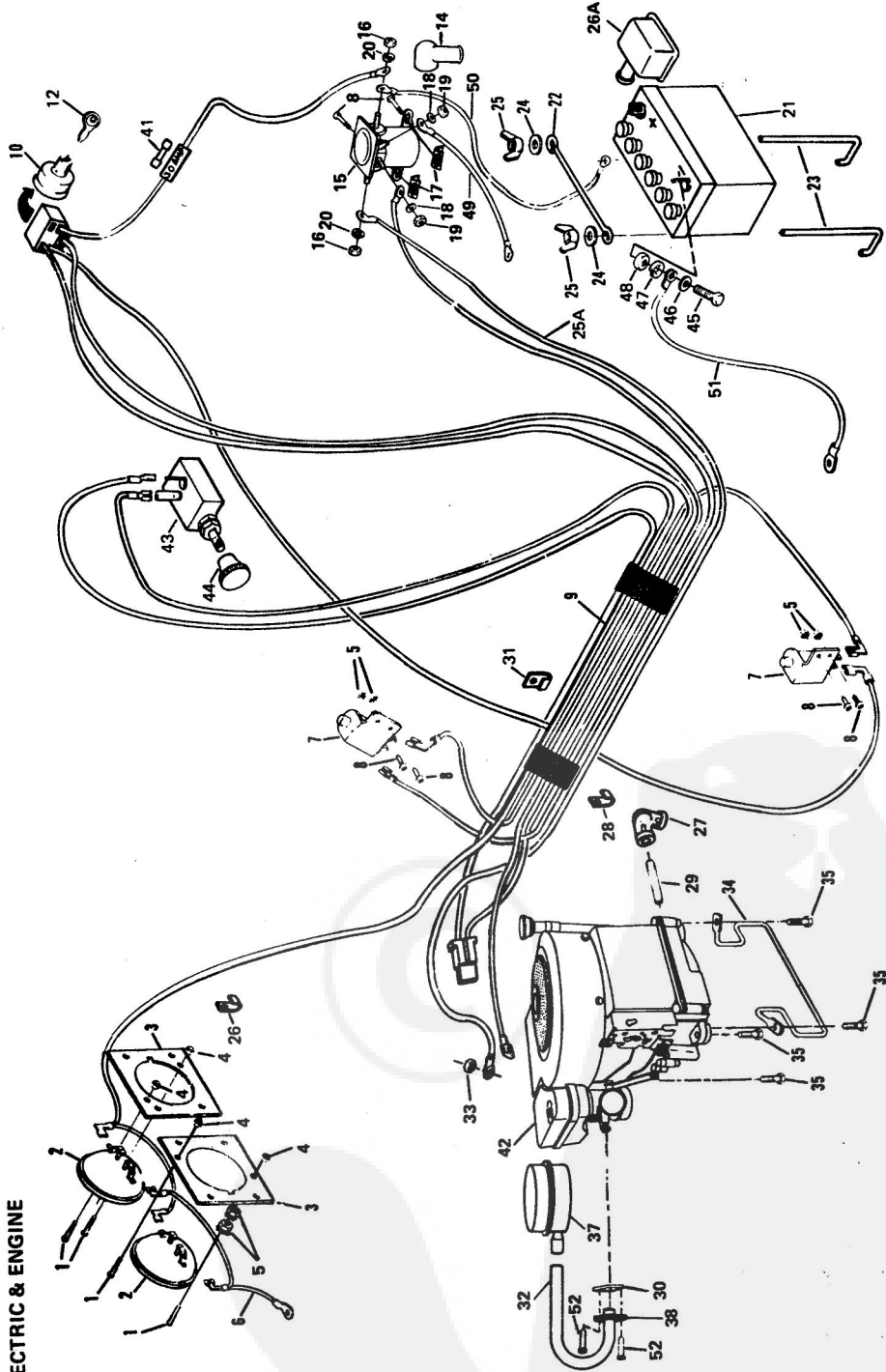
WIRING INSULATED CLIPS

- If Insulated Clips were removed for servicing of unit, they should be replaced to properly secure your wiring. There are three Insulated Clips on your Tractor.
1. L.H. side of Tractor for safety switch wires (Key No. 28, page 14).
 2. R.H. side of Tractor securing wire harness and cable wire (Key No. 31, page 14).
 3. Headlight wire (Key No. 26, page 14).

REPAIR PARTS

36" RIDING LAWN TRACTOR--MODEL NUMBER L0239AR

ELECTRIC & ENGINE



REPAIR PARTS

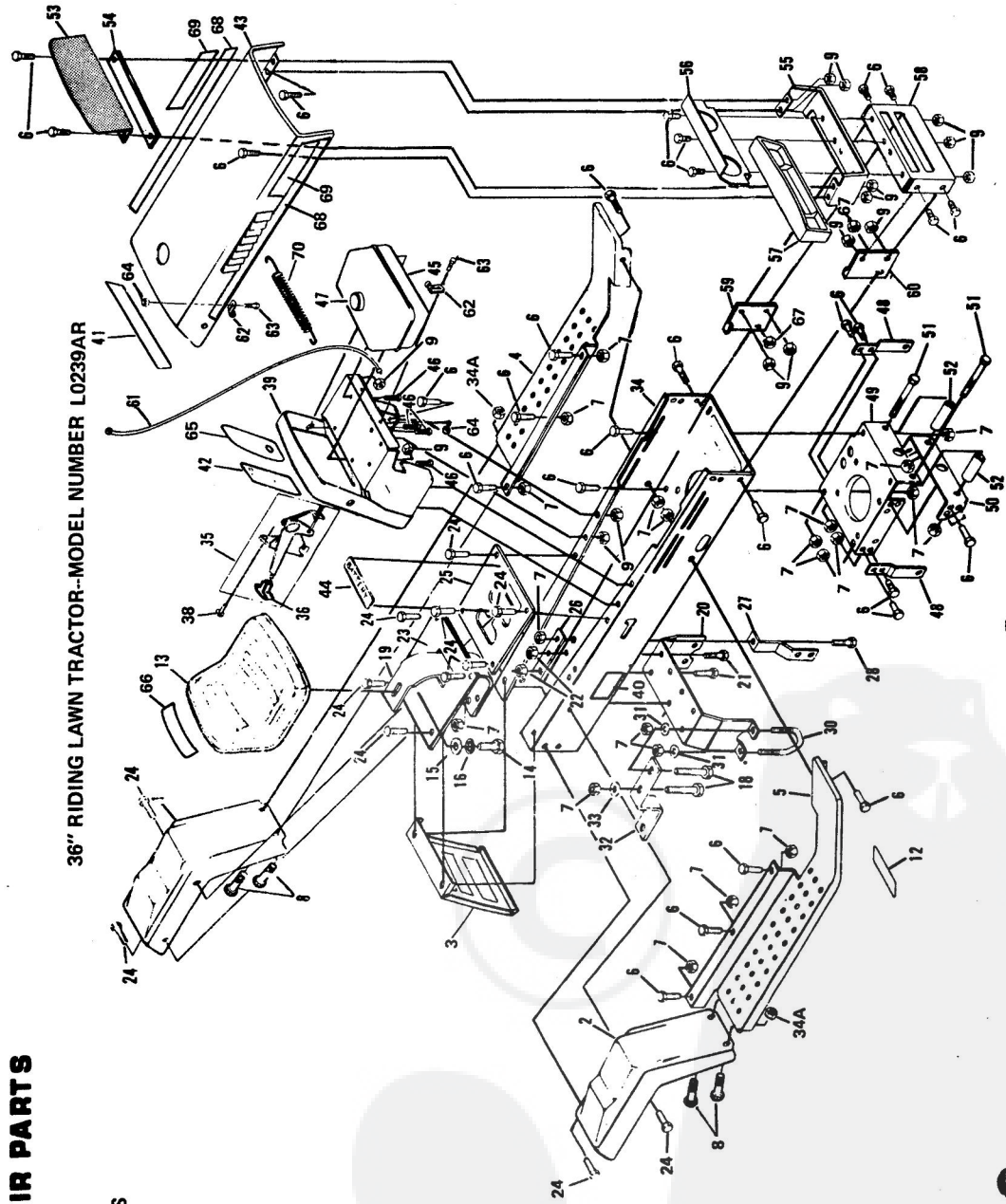
36" RIDING LAWN TRACTOR--MODEL NUMBER L0239AR

ELECTRIC & ENGINE

KEY NO.	PART NO.	DESCRIPTION	KEY NO.	PART NO.	DESCRIPTION
1	3228P	Screw, Machine Truss Head No. 10 - 24 x 1	27	4017P	Std. Elbow 90° 3/8 - 18 NPT
2	6452R	Headlight	28	5320R	Insulated Clip
3	73025	Headlight Support	29	73458	Nipple, Pipe
4	4632H	Nut, Lock No. 10 - 24	30	1407J	Exhaust Gasket
5	561P	Wire Assembly	31	6794R	Insulated Clip
6	71706	Safety Switch	32	1389J	Exhaust Tube
7	7755R	Screw, Machine Phillips Head No. 10 - 24 x 1/2	33	53490	Nut, Lock 1/4 - 20 UNC
8	3359P	Wire Harness	34	1795J	Belt Keeper
9	1797J	Ignition Switch (Inc. Ref No. 12)	35	5608P	Screw, Hex Hd. Thd. Rolling 3/8 - 16 x 1 - 1/2
10	4406R	Key Set	37	677A86	Muffler
12	7552H	Terminal Cover	38	1429J	Exhaust Flange
14	719J	Solenoid	41	6347R	Fuse - 30 Amp.
15	7754R	*Nut, Hex Jam 5/16 - 24 UNF	42	220707	Engine - Briggs and Stratton 10 H.P. Type No. 0134-01
16	538P	*Nut, Speed No. 10 - 24 UNC	43	7793R	Light Switch
17	578P	*Washer, Lock No. 10	44	7794R	Knob, Light Switch
18	1006P	*Nut, Hex No. 10 - 32 UNF	45	3003P	*Hex Bolt 1/4 - 20 x 3/4
19	543P	*Lockwasher 5/16	46	1506P	*Washer 9/32 x 5/8 x 16 Ga.
20	1003P	Battery	47	1002P	*Lockwasher 1/4 Heavy
21	228J	Battery Rod	48	503P	*Hex Nut 1/4 - 20 UNC
22	67187	Battery Bolt	49	8027R	Wire - Ground Solenoid
23	70456	Washer 9/32 x 3/4 x 16 Ga.	50	597J	Battery Cable
24	1507P	Wing Nut 1/4 - 20 UNC	51	596J	Ground Cable
25	577P	Wire - Solenoid to Starter	52	3134P	*Hex Bolt 5/16 - 18 x 3/4 Gr. 5
25A	1347J	Insulated Clip	...	2125J	Fact and Warranty Tag
26	2521R	Terminal Cover	...	2117J	Owners Manual

*STANDARD HARDWARE--PURCHASE LOCALLY

OPTIONAL EQUIPMENT
Spark Arrestor Muffler LA249AR



36" RIDING LAWN TRACTOR--MODEL NUMBER L0239AR

REPAIR PARTS

CHASSIS

REPAIR PARTS

36" RIDING LAWN TRACTOR--MODEL NUMBER L0239AR

CHASSIS

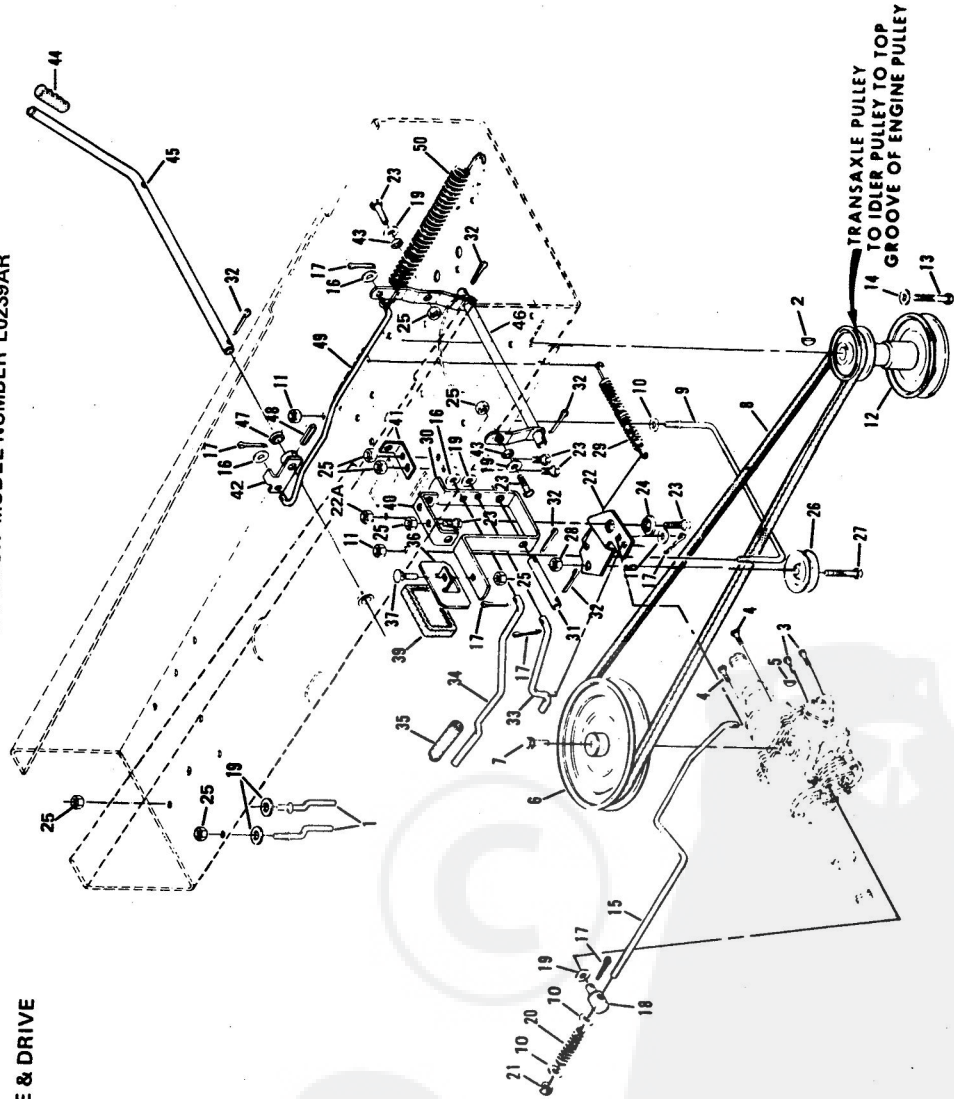
KEY NO.	PART NO.	DESCRIPTION	KEY NO.	PART NO.	DESCRIPTION
1	388J	Fender - L.H.	35	1544J	Remote Control Ass'y. (Inc. Ref. No. 36)
2	389J	Fender - R.H.	36	61159	Knob - Remote Control
3	1538J	Rear Cover	37	3320P	*Screw, Pan Hd. Machine No. 10 - 24 x 1/2
4	1539J	Foot Rest, L.H.	38	5606P	Screw, Hex Washer Hd. Thd. Cutting 1/4 - 20 x 1/2
5	1540J	Foot Rest, R.H.	39	677A101	Dash Ass'y. (Inc. Key No. 6 and 2 each Key No. 3, Page Decal, "10
6	3010P	*Bolt, Hex Head 5/16 - 18 x 3/4	40	1217J	Decal - "10
7	575P	Nut, Lock 5/16 - 18 UNC	41	655J	Decal - Dash, Instructions
8	3008P	Bolt, Hex Head 5/16 - 18 x 1/2	42	482J	Decal - Dash, Controls
9	532P	Nut, Keps 5/16 - 18 UNC	43	7194J	Hood Ass'y.
12	376J	Decal - Clutch and Brake	44	74307	Battery Cap
13	1496J	Seat	45	73427	Fuel Tank
14	3042P	*Bolt, Hex Head 1/2 - 13 x 1	46	5547P	Screw, Thd. Cutting 1/4 - 20 x 3/4
15	1546P	Washer 17/32 x 1 - 3/16 x 11 Ga.	47	74145	Fuel Cap
16	1000P	*Washer, Lock 1/2	48	71190	Brake Rod Bracket
18	3012P	*Bolt, Hex Head 5/16 - 18 x 1 - 1/4 Gr. 5	49	1839J	Engine Base
19	73790	Seat Spring	50	71178	Rocker Bar Support
20	73791	Transaxle Support	51	3271P	*Bolt, Hex Head 5/16 - 18 x 2 - 3/4
21	3023P	*Bolt, Hex Head 3/8 - 16 x 1	52	71431	Bushing
22	545P	Nut, Lock 3/8 - 16	53	71913	Hood Insert
23	1750J	Cover Plate	54	2064J	Bracket
24	5612P	Screw, Hex Hd. Thd. Rolling 5/16 - 18 x 1/2	55	2091J	Panel Frame
25	677A53	Chassis Cover	56	71915	Headlight Support
26	71507	Support	57	2090J	Headlight Panel
27	71198	Axle Strap	58	2092J	Lower Grill Frame
28	3011P	*Bolt, Hex Head 5/16 - 18 x 1	59	2066J	Grill Panel - L.H.
30	71606	Clamp	60	2065J	Grill Panel - R.H.
31	1608P	Washer, 5/16 x 3/4 x 11 Ga.	61	72011	Hood Cable
32	71205	Tow Hitch	62	72012	Lanyard Clevis
33	1610P	Washer, 3/8 x 1 - 1/4 x 6 Ga.	63	3003P	*Bolt, Hex 1/4 - 20 x 3/4
34	1320J	Chassis	64	587P	Locknut, Hex w/Nylon Insert 1/4 - 20
34A	585P	Keps Jam Nut 5/16 - 18 UNC	65	487J	Decal - Dash, L.H.
			66	245J	Decal - Seat Back
			67	580P	Locknut, Hex w/Nylon Insert 5/16 - 18 UNC
			68	2217J	Decal - Hood Stripe
			69	2127J	Decal - Hood (Roper)
			70	72004	Spring

*STANDARD HARDWARE--PURCHASE LOCALLY

REPAIR PARTS

CLUTCH-BRAKE & DRIVE

36" RIDING LAWN TRACTOR--MODEL NUMBER L0239AR



REPAIR PARTS

36" RIDING LAWN TRACTOR--MODEL NUMBER L0239AR

CLUTCH: BRAKE & DRIVE

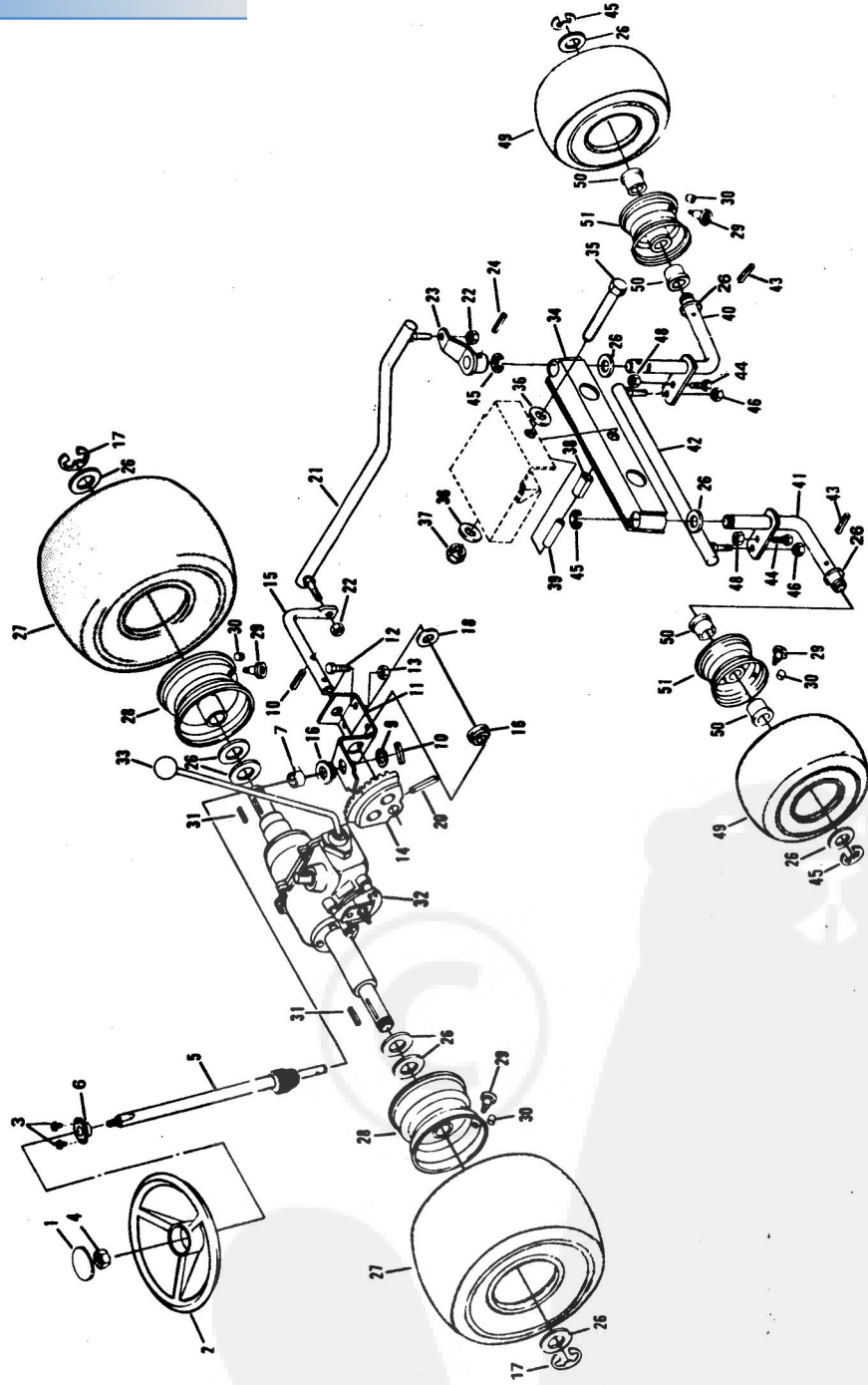
KEY NO.	PART NO.	DESCRIPTION	KEY NO.	PART NO.	DESCRIPTION
1	71200	Belt Guide	23	3010P	*Bolt, Hex Head 5/16 - 18 x 3/4
2	65053	Key, Woodruff No. 6	24	71202	Bushing
3	6059P	Screw, Hex Head w/Washer 5/16 - 18 x 7/8	25	575P	Nut, Lock 5/16 - 18 UNC
4	6060P	Screw, Hex Head w/Washer 5/16 - 18 x 1 - 1/8	26	67400	Pulley - Idler
5	52859	Key, Woodruff No. 61	27	3027P	*Bolt, Hex Head 3/8 - 16 x 1 - 1/2
6	73542	Pulley - Transaxle	28	579P	Nut, Lock 3/8 - 16 UNC
7	6058P	Screw, Machine w/Washer 1/4 - 20 x 3/4 Gr. 5	29	2044J	Spring - Idler
8	73794	V-Belt	30	390J	Foot Pedal
9	71241	Mid Belt Guide	31	71223	Pedal Shaft
10	1611P	Washer, 13/32 x 7/8 x 16 Ga.	32	2506P	*Cotter Pin 1/8 x 1
11	545P	Locknut 3/8 - 16	33	74419	Clutch Rod
12	71923	Pulley - Engine	34	373J	Park Brake Rod
13	6068P	Screw, Machine w/Ext. Lockwasher 3/8 - 24 x 1 - 3/4 Nylon Patch	35	71226	Grip
14	1610P	Washer, 3/8 x 1 - 1/4 x 6 Ga.	36	71222	Pedal Plate
15	73792	Brake Rod	37	16P	*Bolt, Carriage 5/16 - 18 x 3/4
16	1507P	Washer, 13/32 x 3/4 x 16 Ga.	39	67365	Foot Pad
17	2503P	*Cotter Pin 3/32 x 3/4	40	71199	Pedal Bracket
18	71238	Trunion	42	73229	Switch Bracket
19	1599P	Washer, 11/32 x 3/4 x 16 Ga.	43	71195	Clutch Arm Assembly
20	71239	Brake Spring	44	71246	Spacer
21	591P	Locknut w/Washer 3/8 - 16 UNC	45	71242	Grip
22	71201	Idler Bracket	46	71191	Clutch Handle
22A	590P	Locknut w/Washer 5/16 - 18 UNC	47	1545P	Clutch Arm Assembly
			48	52379	Washer, 17/32 x 1 x 16 Ga.
			49	74474	Spring Pin 3/16 x 1
			50	71248	Blade Clutch Rod Spring

*STANDARD HARDWARE--PURCHASE LOCALLY

36" RIDING LAWN TRACTOR--MODEL NUMBER L0239AR

REPAIR PARTS

STEERING AND WHEELS



REPAIR PARTS

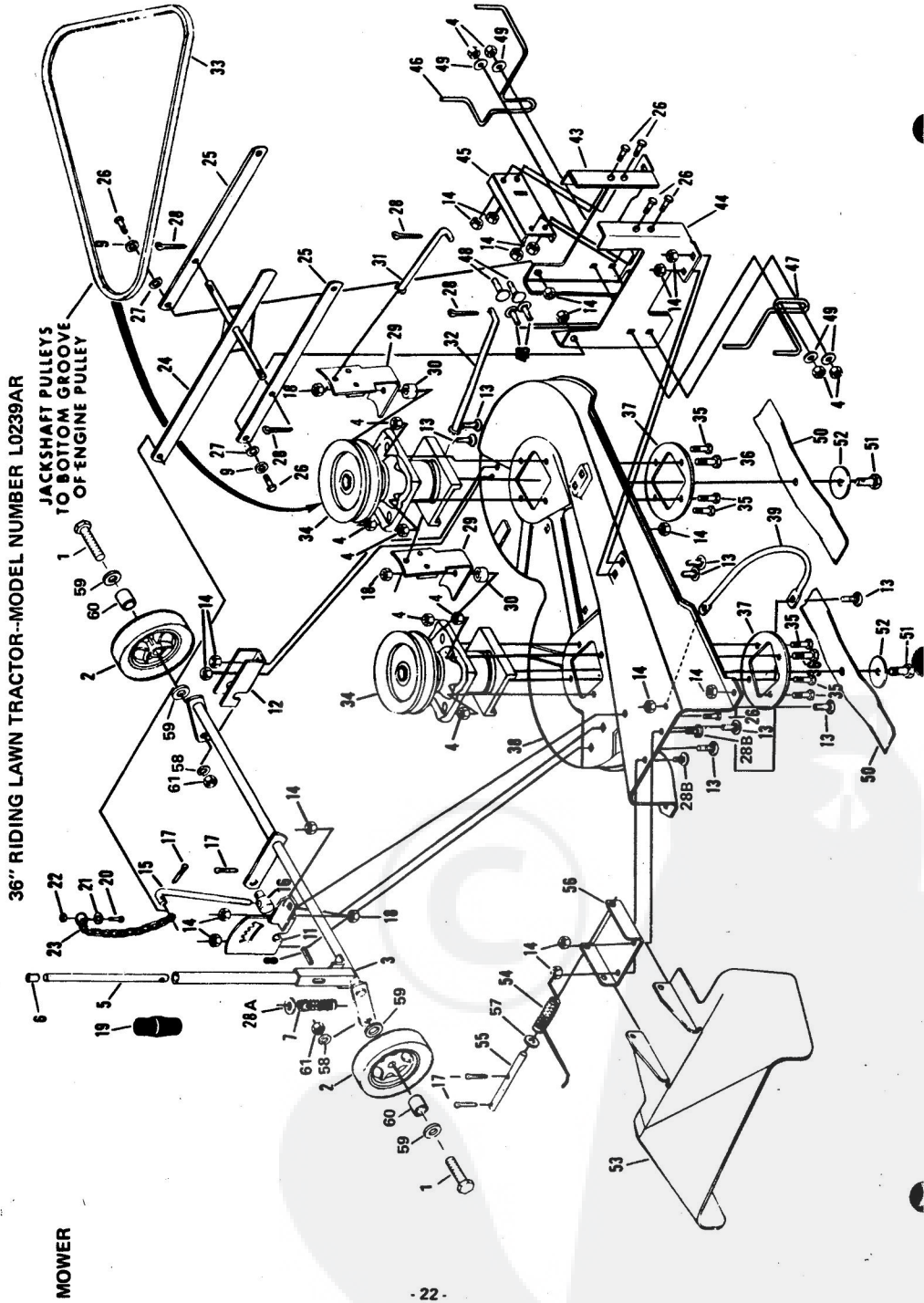
36" RIDING LAWN TRACTOR--MODEL NUMBER L0239AR

STEERING AND WHEELS

KEY NO.	PART NO.	DESCRIPTION	KEY NO.	PART NO.	DESCRIPTION
1	1114J	Steering Wheel Insert	29	65139	Valve Stem
2	506J	Steering Wheel	30	59192	Valve Cap
3	5614P	Hex Washer Hd. Sht. Metal Screw No. 10 x 1/2 Type AB	31	66414	Square Key 3/16 x 2
4	588P	*Nut, Hex Jam 1/2 - 20 UNF	32	794191A	Transaxle Assembly Model 143.658A (See Pages 24 and 25)
5	677A208	Steering Shaft Assembly	33	58862	Knob - Transmission
6	1554J	Bushing	34	677A91	Rocker Bar Assembly
7	74580	Shaft Spacer	35	3385P	Bolt, Hex Head 1/2 - 13 x 3
9	1618P	Washer, 21/32 x 1 - 1/4 x 13 Ga.	36	1613P	Washer, 17/32 x 7/8 x 16 Ga.
10	52379	Spring Pin 3/16 x 1	37	581P	Nut, Lock 1/2 - 13 UNC
11	74577	Steering Bracket	38	67151	Bushing
12	3010P	*Bolt, Hex Head 5/16 - 18 x 3/4	39	71188	Pivot Spacer
13	575P	Nut, Lock 5/16 - 18 UNC	40	677A169	Spindle Assembly - L.H.
14	71172	Gear	41	677A168	Spindle Assembly - R.H.
15	1528J	Steering Rod	42	73240	Tie Rod
16	71208	Bushing	43	9530R	Groove Pin
17	5000P	E-Ring	44	3021P	*Bolt, Hex Head 3/8 - 16 x 3/4
18	1618P	Washer, 21/32 x 1 - 1/4 x 13 Ga. (0 - 2 as Req'd.)	45	5022P	Klip Ring
20	73446	Drive - Lock Pin	46	582P	Nut, Lock 5/16 - 24 UNF
21	71219	Drag Link	48	579P	Nut, Lock 3/8 - 16 UNC
22	7810H	Locknut, Hex 3/8 - 24 UNF	49	71651	Tire (15 x 6.00 x 6)
23	71185	Steering Arm Assembly	50	625J	Bearing
24	62079	Spring Pin 1/4 x 1 - 1/4	51	677A98	Rim Ass'y. (Inc. Ref. No. 50)
26	1552P	Washer 25/32 x 1 - 1/4 x 16 Ga.			
27	71653	Tire (18.00 - 9.50 x 8)			
28	71652	Rim			

* STANDARD HARDWARE--PURCHASE LOCALLY

REPAIR PARTS



MOWER

REPAIR PARTS

36" RIDING LAWN TRACTOR--MODEL NUMBER L0239AR

MOWER

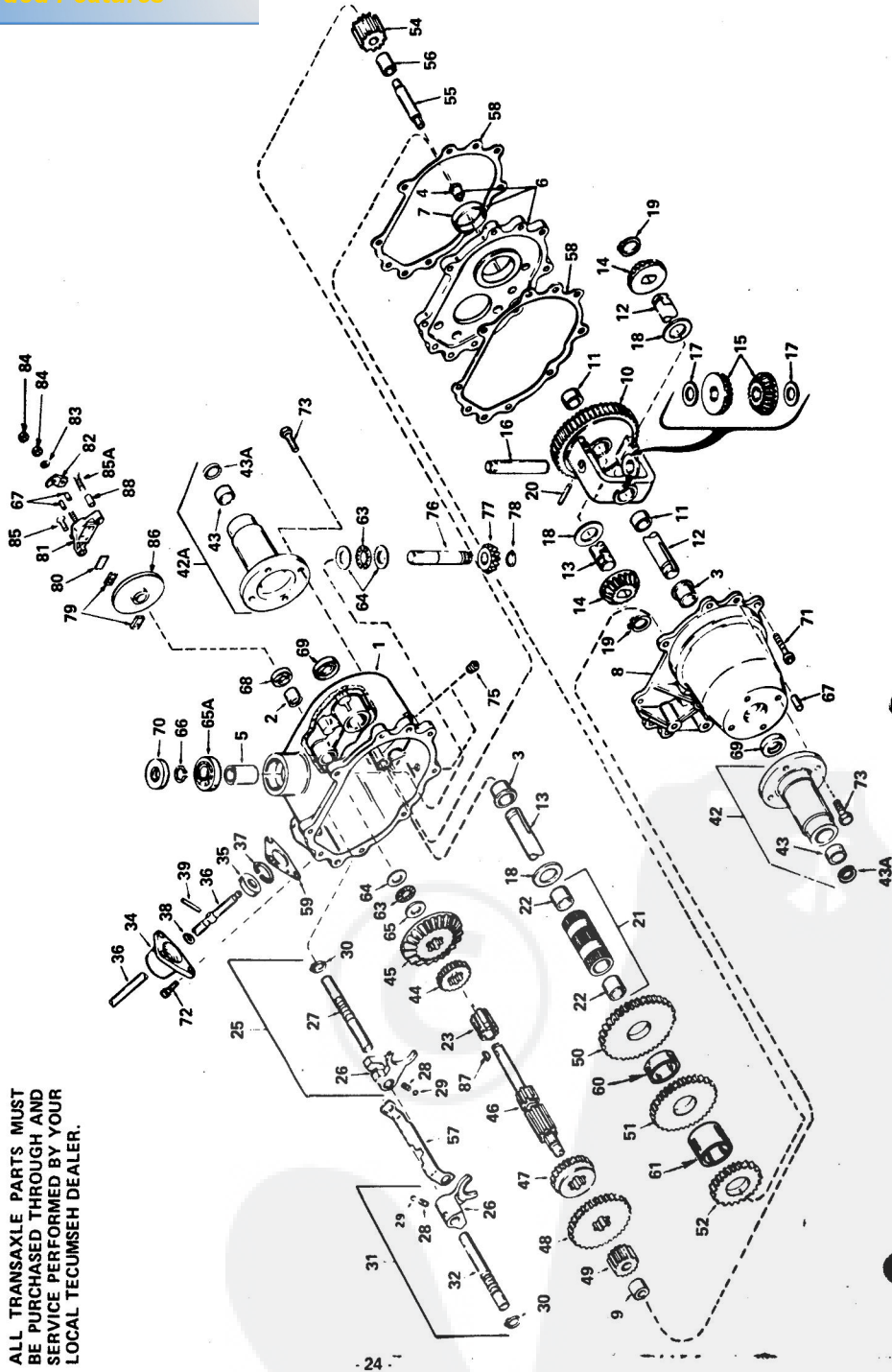
KEY NO.	PART NO.	DESCRIPTION	KEY NO.	PART NO.	DESCRIPTION
1	3199P	Hex Bolt 3/8 - 24 x 2 - 3/4 Gr. 5	29	677A46	Brake Assembly
2	9536H	Gauge Wheel	30	71522	Spacer, Brake Spring
3	677A134	Pivot Rod Assembly	31	71525	Brake Rod - L.H.
4	545P	Nut, Lock 3/8 - 16 UNC	32	71524	Brake Rod - R.H.
5	1663J	Rod - Plunger	33	62828	Beit
6	9479R	Cap - Lever Plunger	34	677A181	Jackshaft Assembly
7	71669	Spring	35	3023P	*Bolt, Hex Head 3/8 - 16 x 1
8	8540R	Pin - Drive Lock	36	3329P	*Bolt, Hex Head 3/8 - 16 x 1 - 1 2
9	1599P	Washer, 11/32 x 3/4 x 16 Ga.	37	71575	Plate
11	72937	Quadrant Assembly	38	677A51	Housing w/Silk Screening
12	67337	Pivot Rod Support	39	71647	Housing Skid
13	73P	Bolt, Carriage 5/16 - 18 x 5/8 Gr. 5	43	71276	Housing Bracket - L.H.
14	575P	Nut, Lock 5/16 - 18 UNC	44	71277	Housing Bracket - R.H.
15	71300	Adjustment Rod	45	71278	Channel
16	71301	Trunion	46	71298	Beit Keeper - L.H.
17	2503P	*Cotter Pin 3/32 x 3/4	47	71299	Beit Keeper - R.H.
18	591P	Locknut w/Washer 3/8 - 16 UNC	48	20P	*Bolt, Carriage 3/8 - 16 x 1
19	1747J	Grip, Handle	49	1614P	Washer, 13/32 x 7/8 x 13 Ga.
20	3224P	*Screw, Pan Hd. Machine 1/4 - 20 x 1	50	71285	Blade
21	1575P	Washer, 9/32 x 1 x 16 Ga.	51	6065P	Screw, Hex Head w/Washer - Nylon Patch 3/8 - 24 x 7/8 Gr. 5
22	574P	Nut, Hex Lock 1/4 - 20 UNC	52	67354	Washer, 25/64 x 2 - 3/8 x 5/32
23	74014	Sway Chain	53	677A52	Deflector (Discharge Guard)
24	72915	Parallel Rod Assembly	54	71526	Deflector Spring
25	71297	Parallel Link	55	71555	Hinge Rod
26	3010P	*Bolt, Hex Head 5/16 - 18 x 3/4	56	1623P	Bracket-Deflector
27	71616	Spacer	57	1004P	Washer 11/32 x 7/8 x 16 Ga.
28	2506P	*Cotter Pin 1/8 x 1	58	1004P	Lockwasher 3/8
28A	1615P	Washer, 15/32 x 3/4 x 16 Ga.	59	1513P	Washer 13/32 x 13/16 x 16 Ga.
28B	5P	*Bolt, Carriage Sh. Shoulder 5/16 - 18 x 3/4	60	7375H	Bushing
			61	515P	Hex Nut 3/8 - 24 UNF

*STANDARD HARDWARE--PURCHASE LOCALLY

REPAIR PARTS

36" RIDING LAWN TRACTOR--MODEL NUMBER L0239AR
TRANSAXLE--MODEL NUMBER 143.658A

ALL TRANSAXLE PARTS MUST BE PURCHASED THROUGH AND SERVICE PERFORMED BY YOUR LOCAL TECUMSEH DEALER.



REPAIR PARTS

36" RIDING LAWN TRACTOR--MODEL NUMBER L0239AR
TRANSAXLE--MODEL NUMBER 143.658A

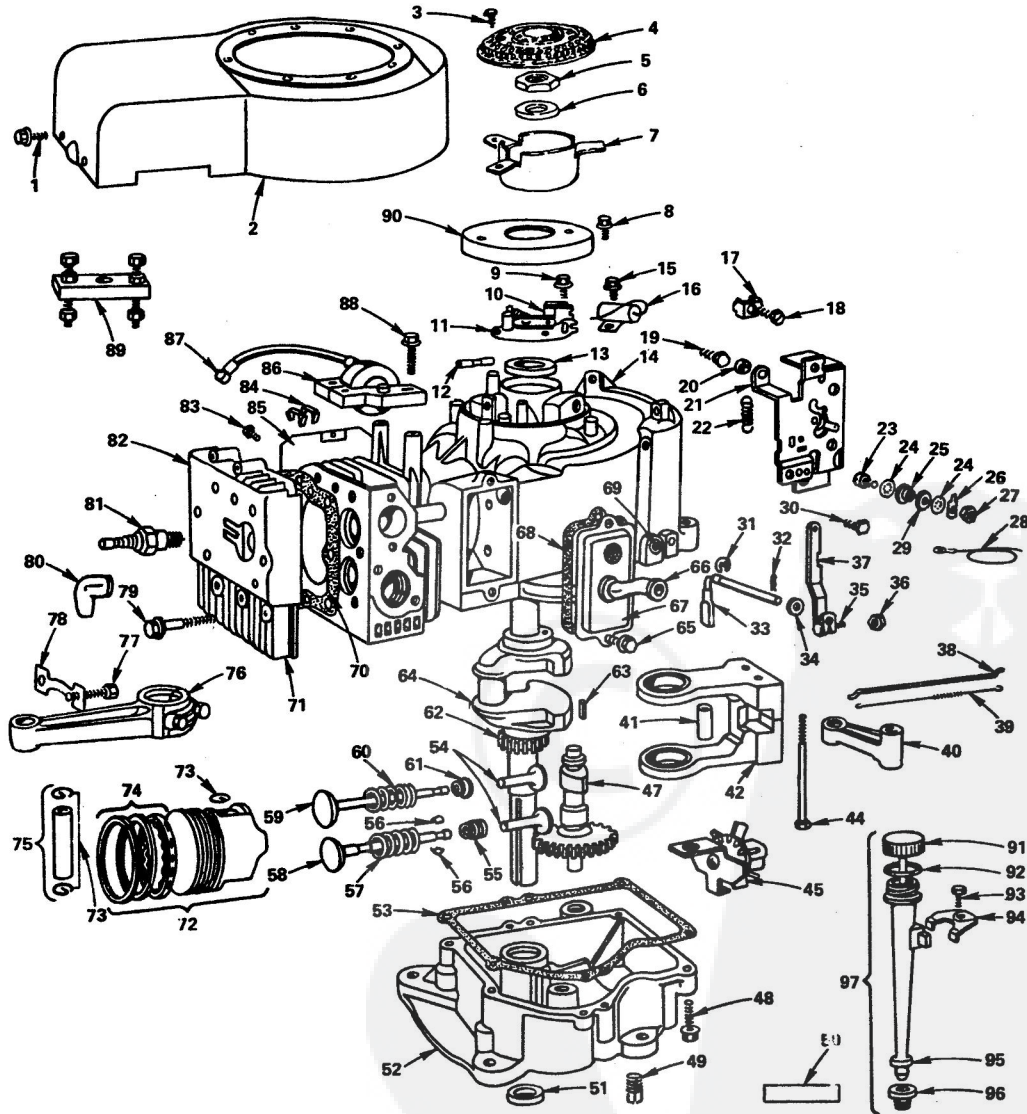
KEY NO.	PART NO.	DESCRIPTION	KEY NO.	PART NO.	DESCRIPTION
1	794191A	Complete Transaxle	45	778057	Gear, Bevel (33 Teeth)
2	770063	Case Ass'y., Transaxle (Inc. No's. 2, 3 & 5)	46	776138	Shaft, Shifter & Brake
3	780086	Bearing, Needle	47	778058	Gear, Shifting (2nd & 3rd)
4	780059	Bearing, Bronze	48	778059	Gear, Shifting (1st & Rev.)
5	780060	Bearing, Bronze	49	778060	Gear, Spur (12 Teeth)
6	780061	Bearing, Bronze	50	778140	Gear, Countershaft Drive (39 Teeth)
7	780033	Plate Ass'y., Center (Inc. No's. 4 & 7)	51	778141	Gear, Countershaft (34 Teeth)
8	780062	Bearing, Bronze	52	778142	Gear, Countershaft (25 Teeth)
9	772042	Cover Ass'y., Transaxle (Inc. No's. 3 & 9)	54	778064	Gear, Reverse Idler
10	780063	Bearing, Needle	55	778057	Shaft, Reverse Idler
11	780053	Gear Ass'y., Differential (Inc. No. 11)	56	786036	Spacer, Reverse Idler
12	780064	Bearing, Bronze	57	784087	Stop, Shifter
13	774221	Axle, Left Hand	58	788033	Gasket, Case & Cover
14	774220	Axle, Right Hand	59	788003	Gasket, Shift Lever Housing
15	778067	Gear, Bevel	60	786079	Spacer
16	778068	Pinion, Bevel	61	786078	Spacer
17	786034	Pin, Drive	62	780071	Bearing, Thrust
18	780001	Washer, Thrust	63	780072	Washer, Thrust
19	788038	Washer, Thrust	64	780072	Washer, Thrust
20	792040	Pin, Roll	65	780073	Bearing, Ball
21	786080	Sleeve Ass'y., Countershaft (Inc. 2 of No. 22)	66	780093	Ring, Snap
22	780066	Bearing, Bronze	67	786026	Pin, Dowel
23	776090	Shaft, Idler	68	788043	Seal, Oil
24	784079	Rod Ass'y., Shift (1st & Rev.) (Inc. No's. 26 thru 30)	69	788009	Seal, Oil
25	784079	Fork, Shift	70	788035	Seal, Oil
26	784004	Rod, Shift	71	792036	Screw, Flanged Hex Hd. 1/4 - 20 x 1 - 1/4
27	784083	Spring	72	792007	Screw, Socket Hd. Cap. 1/4 - 20 x 3/4
28	792003	Ball, Steel	73	792037	Screw, Hex Hd., Sems 5/16 - 18 x 1
29	792004	Ring, Snpp	74	792037	Plug, Pipe 1/8
30	792017	Rod Ass'y., Shift (2nd & 3rd) (Inc. No's. 26, 28, 29, 30 & 32)	75	792039	Shaft, Input
31	784084	Rod, Shift	76	776103	Pinion, Input
32	784085	Rod, Shift	77	778077	Ring, Retaining
33	784088	Housing, Shift Lever	78	788040	Pad, Brake
34	784094	Keeper, Shift Lever	79	790006	Plate, Brake Pad
35	784284	Lever, Shift	80	790007	Holder, Brake Pad
36	784284	Lever, Shift	81	790005	Lever, Brake
37	792016	Ring, Snap	82	790004	Washer, Flat
38	792001	Ring, Quad	83	792076	Nut, Lock
39	792049	Pin, Drive	84	792075	Screw, Hex Hd. Cap. 1/4 - 20 x 1 - 1/4
40	782036A	Housing Ass'y., Axle (Inc. No's. 43 & 43A)	85	792073	Thrd. Forming
41	782036A	Housing Ass'y., Axle (Inc. No's. 43 & 43A)	85A	792085	Screw, Hex Hd. Cap. 1/4 - 20 x 2 - 1/4
42A	530105	Bearing, Needle	86	790009	Disk, Brake
43	788042	Seal, Oil	87	792045	Key, Woodruff No. 61
44	778024	Gear (16 Teeth)	88	786066	Spacer

REPAIR PARTS

36" RIDING LAWN TRACTOR--MODEL NUMBER L0239AR
BRIGGS & STRATTON 10 H.P. ENGINE--MODEL NO. 220707, TYPE NO. 0134-01

CYLINDER, CRANKSHAFT AND ENGINE BASE GROUP

ALL ENGINE PARTS MUST BE PURCHASED THROUGH AND SERVICE PERFORMED BY YOUR LOCAL BRIGGS AND STRATTON DEALER.



36" RIDING LAWN TRACTOR--MODEL NUMBER L0239AR
BRIGGS & STRATTON 10 H.P. ENGINE--MODEL NO. 220707, TYPE NO. 0134-01

CYLINDER, CRANKSHAFT AND ENGINE BASE GROUP

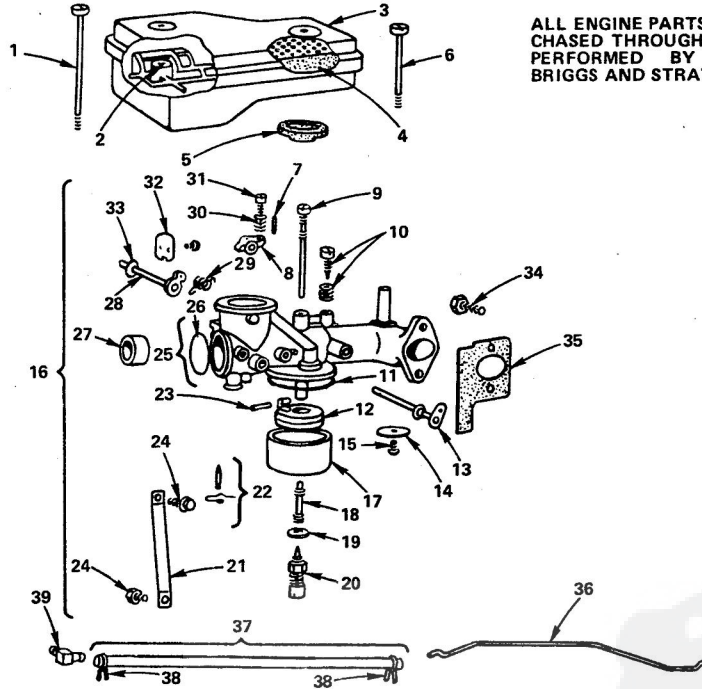
KEY NO.	PART NO.	DESCRIPTION	KEY NO.	PART NO.	DESCRIPTION
1	93158	Screw - Blower Housing Mounting Sem	51	291675	Seal - Oil
2	391556	Housing - Blower	52	391784	Sump - Oil (Inc. No's. 51 & 53)
3	93808	Screw - Sem	53	270808	*Gasket - Crankcase Cover - 1/64" Thick
4	222562	Screen - Flush Rotating		270915	*Gasket - Crankcase Cover - .005" Thick
5	92284	Nut - Hex		270916	*Gasket - Crankcase Cover - .009" Thick
6	220865	Washer - Spring	54	261183	Tappet - Valve
7	222561	Cup - Screen Mounting	55	292260	Rotocoil - Exhaust Valve
8	93014	Screw - Sem	56	93630	Retainer - Exhaust Valve Rotocoil
9	93226	Screw - Breaker Adjusting Sem	57	26828	Spring - Exhaust Valve
10	26018	Spring - Breaker Arm	58	261185	Valve - Exhaust
11	391284	Breaker Ass'y - Ignition (Inc. No. 10)	59	261462	Valve - Intake
12	65704	Plunger - Breaker Point	60	65906	Spring - Intake Valve
13	391086	Seal - Oil	61	221596	Retainer - Intake Valve
14	393409	Cylinder Ass'y. (Inc. No. 13)	62	261196	Gear - Timing
15	93042	Screw - Sem	63	61760	Key - Flywheel
16	391792	Condenser	64	391794	Crankshaft
17	221535	Clamp - Casing	65	93394	Screw - Sem
18	93496	Screw - Sem	66	280100	Tube - Breather
19	93686	Screw - Control Bracket Mounting	67	391406	Breather Assembly
20	231039	Spacer - Control Bracket Mounting	68	27803	*Gasket - Valve Cover
21	390662	Plate - Gov. Crank	69	231055	Bushing - Gov. Crank (1/4" I.D.)
22	261306	Spring - Governor	70	271075	*Gasket - Cylinder Head
23	91920	Screw - Terminal	71	212300	Head - Cylinder
24	92791	Washer - Lock - Shakeproof	72	391285	Piston Ass'y. - Standard (Inc. No's. 73 & 74)
25	66554	Collar - Insulating		391287	Piston Ass'y. - .010" O.S.
26	93722	Terminal - Spade		391288	Piston Ass'y. - .020" O.S.
27	90576	Nut - Hex 8 - 32		391289	Piston Ass'y. - .030" O.S.
28	391602	Wire - Ground	73	260924	Lock - Piston Pin
29	66068	Washer - Insulating	74	391780	Ring Set - Piston - Std.
30	93572	Screw		391781	Ring Set - Piston - .010" O.S.
31	93307	Retainer - E-Ring		391782	Ring Set - Piston - .020" O.S.
32	93306	Cotter - Hair Pin		391783	Ring Set - Piston - .030" O.S.
33	231058	Crank - Governor (1/4" Dia.)	75	299691	Pin Ass'y. - Piston - Std. (Inc. No. 73)
34	222450	Washer - Gov. Crank (1/4" I.D.)		391286	Pin Ass'y. - Piston - .005" O.S.
35	92613	Bolt - Governor Lever	76	391775	Rod Ass'y. - Connecting (Inc. 77 & 78)
36	231082	Nut - Hex 10 - 24	77	92909	Screw - Conn. Rod
37	391733	Lever Ass'y. - Governor (for 1/4" Dia. Crank) (Inc. No's. 35 & 36)	78	222299	Lock - Conn. Rod Screw
38	261198	Link - Governor	79	93723	Screw - Cylinder Head (3" Long)
39	261197	Spring - Governor Link			NOTE: 93781 Stud - Cylinder Head
40	211675	Link - Counterweight			22963 Washer
41	298909	Pin - Counterweight	80	66538	Elbow - Spark Plug
42	391373	Counterweight Ass'y. (Inc. No. 41)	81	298809	Plug - Spark (1 - 1/2" High - 37 - 42 MM)
44	93875	Screw - Counterweight			NOTE: Spark Plugs use Ignition Cable Terminal No. 221798.
45	391764	Oil Slinger, Gov. Gear & Bracket Ass'y.	82	222725	Cover - Cylinder Head
47	212296	Gear - Cam	83	93163	Screw - Cylinder Shield Mtg. Sem
48	93585	Screw - Sump Mounting Sem	84	221907	Clip - Wire
49	91084	Plug - Oil Drain	85	222744	Shield - Cylinder
50	393411	Gasket Set	86	298968	Armature Ass'y.
			87	221798	Terminal - Ignition Cable
			88	93381	Screw - Armature Mounting Sem
			89	19203	Puller - Flywheel
			90	222309	Cover - Breaker Point
			91	391841	Cap and Dipstick - Oil Filler
			92	270920	Seal - Filler Cap
			93	93804	Screw - Clamp Mtg.
			94	222502	Clamp - Oil Filler Tube
			95	280134	Tube - Oil Filler
			96	68838	Seal - Filler Tube
			97	392067	Filler Group - Oil

*STANDARD HARDWARE--PURCHASE LOCALLY

REPAIR PARTS

36" RIDING LAWN TRACTOR--MODEL NUMBER L0239AR
BRIGGS & STRATTON 10 H.P. ENGINE--MODEL NO. 220707, TYPE NO. 0134-01

AIR CLEANER AND CARBURETOR



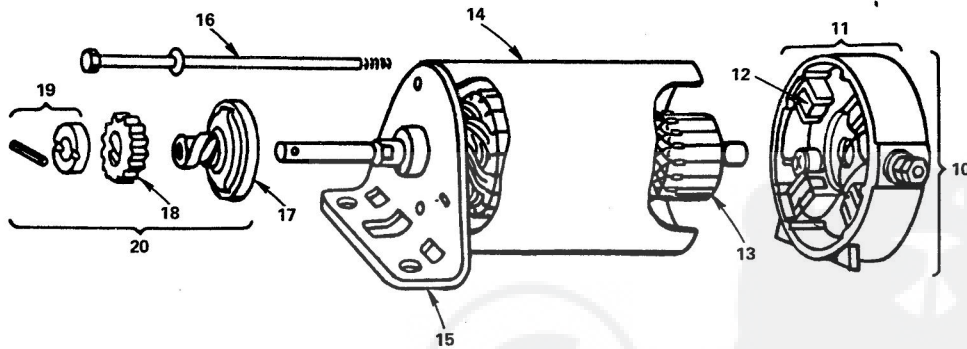
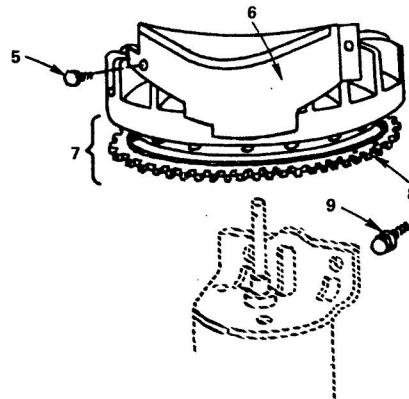
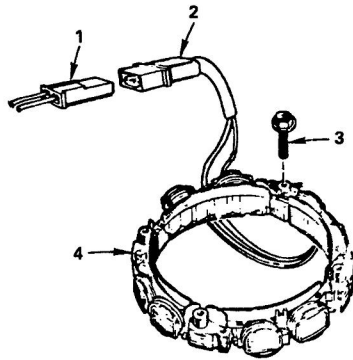
ALL ENGINE PARTS MUST BE PURCHASED THROUGH AND SERVICE PERFORMED BY YOUR LOCAL BRIGGS AND STRATTON DEALER.

KEY NO.	PART NO.	DESCRIPTION	KEY NO.	PART NO.	DESCRIPTION
1	93323	Screw - Air Cleaner	24	93572	Screw
2	280118	Support - Air Cleaner Element	25	391787	Body Ass'y. - Carburetor (Inc. No. 26)
3	391786	Cleaner Ass'y. - Air (Inc. No's. 2 & 4)	26	221997	+Plug - Welch
4	270843	Element - Air Cleaner	27	211960	Venturi - Carburetor
5	270853	Gasket - Air Cleaner	28	390684	Shaft & Lever - Choke
6	93622	Screw - Air Cleaner	29	261116	Spring - Choke Return
7	93043	Pin - Throttle Stop	30	26157	Spring - Throttle Adjustment
8	211712	Stop - Throttle	31	91920	Screw - Machine, Fill. Hd. 8 - 32 x 5/8"
9	299740	Nozzle - Carburetor	32	222010	Valve Choke
10	292681	+Valve Ass'y. - Carburetor Idle	33	270382	Washer - Choke Shaft
11	270511	+Gasket - Float Bowl	34	93357	Screw - Carburetor Mtg.
12	299707	Float - Carburetor	35	270872	*Gasket - Carburetor Mtg.
13	391512	Shaft & Lever - Throttle	36	261274	Link - Choke
14	222858	Valve - Throttle	37	296004	Pipe - Fuel (Inc. No. 38)
15	93499	Screw - Throttle & Choke Valve Mtg. Sem	38	93053	Clamp - Fuel Pipe
16	393410	Carburetor Ass'y. (Choke-A-Matic) (Inc. No's. 7 thru 33)	39	67218	Connector - Fuel Pipe
17	221995	Bowl - Float			+INCLUDED IN CARBURETOR OVERHAUL KIT - PART NO. 299852
18	230932	+Screw - Nozzle			*INCLUDED IN GASKET SET - PART NO. 393411
19	222014	+Washer - Float Bowl			
20	391233	+Valve - Needle			
21	222311	Bracket - Carburetor			
22	299096	+Valve - Fuel Inlet			
23	230896	+Pin - Float Hinge			

36" RIDING LAWN TRACTOR--MODEL NUMBER L0239AR
BRIGGS & STRATTON 10 H.P. ENGINE--MODEL NO. 220707, TYPE NO. 0134-01

○ ALTERNATOR AND STARTER MOTOR GROUP

ALL ENGINE PARTS MUST BE PURCHASED THROUGH AND SERVICE PERFORMED BY YOUR LOCAL BRIGGS AND STRATTON DEALER.



KEY NO.	PART NO.	DESCRIPTION	KEY NO.	PART NO.	DESCRIPTION
1	393362	Alt. Harness Assembly	10	392749	Motor and Drive Ass'y. (12 Volt) (Inc. No's. 11 thru 20)
2	393456	Diode and Conn. Assembly	11	390846	End Cap Ass'y. Commutator (Inc. No. 12).
3	93621	Screw - Sem	12	391705	Brush Ass'y.
4	393474	Stator - Alternator	13	390837	Armature Ass'y.
5	93410	Screw - Sem	14	392744	Housing Ass'y.
6	390233	Cover and Shield - Starter	15	392061	End Cap Ass'y. Drive
7	391988	Flywheel & Ring Gear Ass'y. - Magneto (Inc. No. 14)	16	391706	Thru Bolt Ass'y.
8	392134	Gear - Ring (Inc. Mounting Parts)	17	391135	Clutch Ass'y.
9	93523	Screw - Sem	18	280104	Gear
			19	391462	Retainer & Pin
			20	391461	Drive Ass'y. (Inc. No's. 17, 18 & 19)