

...al combustion engine and should not be used on or near any unimproved forest-covered, brush-covered or grass-covered land unless the engine's exhaust system is equipped with a spark arrester meeting applicable local or state laws (if any). If a spark arrester is used, it should be maintained in effective working order by the operator. See your Roper Authorized Service Dealer for spark arrester muffler part number (See Page 29).

K824R

REFERENCE PHOTO FOR ASSEMBLY AND INSTRUCTION

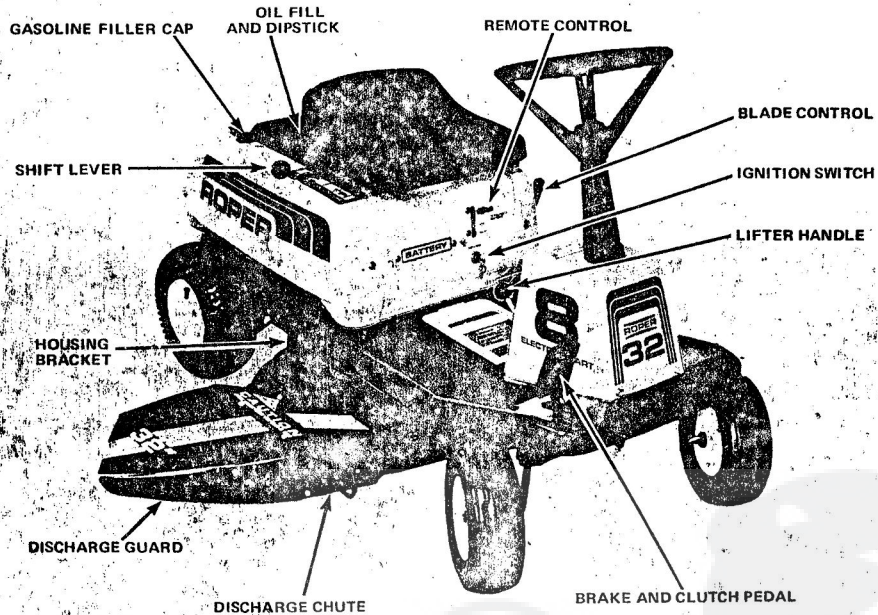


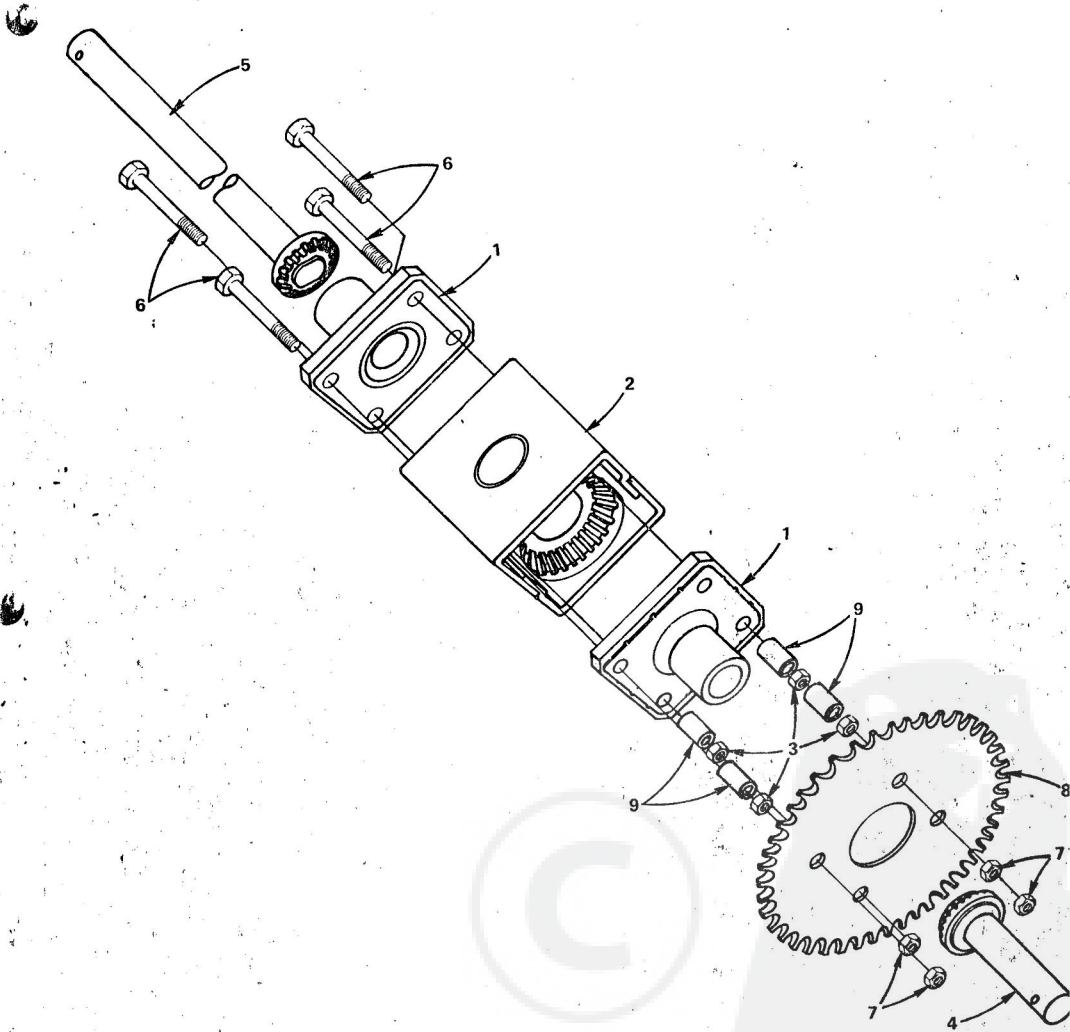
FIGURE 1

TABLE OF CONTENTS

ASSEMBLY	2	TROUBLE SHOOTING	12
OPERATING	4	LUBRICATION CHART	13
MAINTENANCE	6	REPAIR PARTS	15

REPAIR PARTS

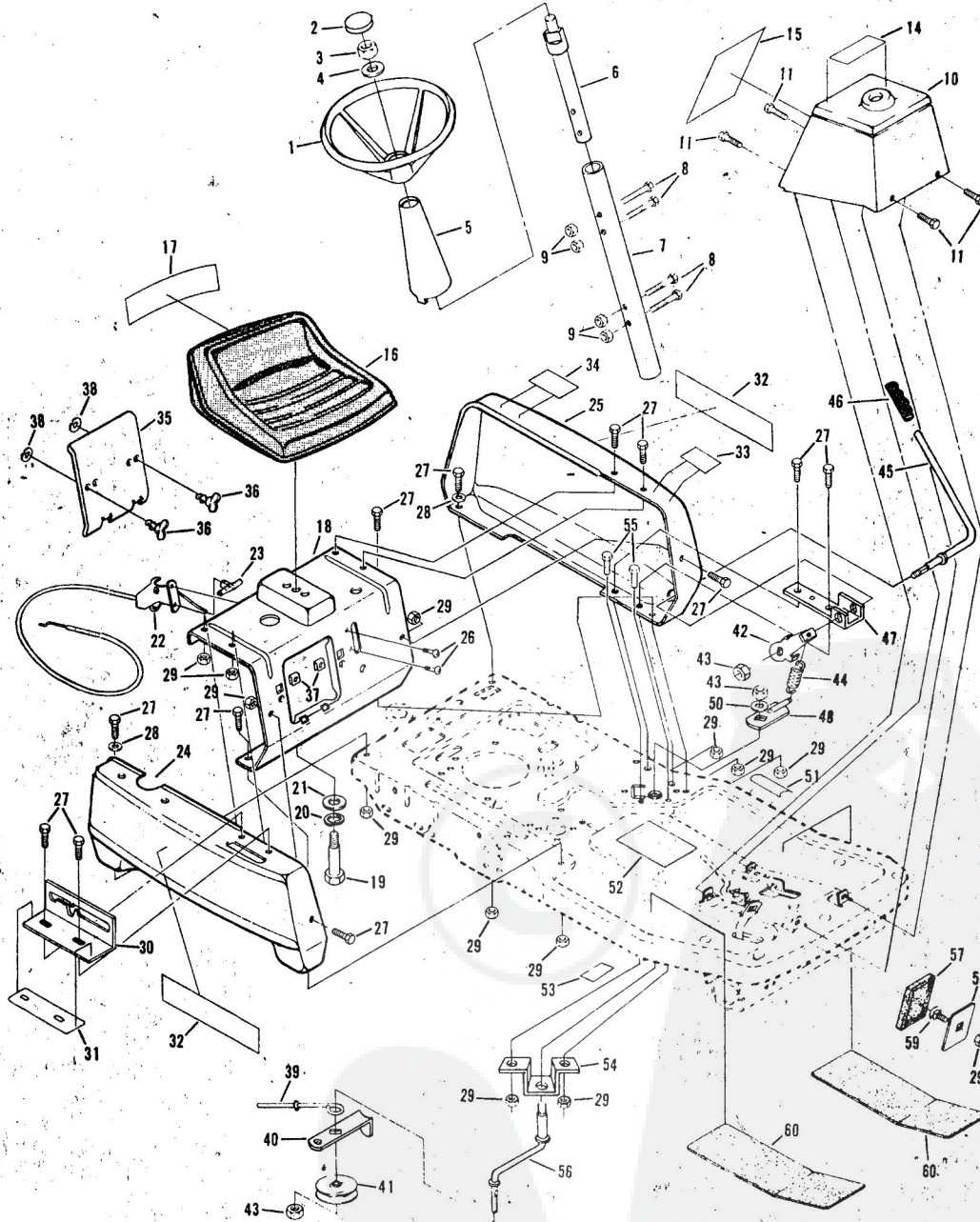
**32" REAR ENGINE RIDING LAWN MOWER--MODEL NUMBER K8327CR
DIFFERENTIAL ASSEMBLY PART NUMBER 2112J**



KEY NO.	PART NO.	DESCRIPTION
1	2308J	End Cap - Bearing Assembly
2	2309J	Transfer Gear Case Assembly
3	504P	Hex Nut - 5/16 - 18 UNC
4	2310J	Gear Shaft Assembly - Right
5	2311J	Gear Shaft Assembly - Left
6	3389P	Hex Bolt (Plated) 5/16 - 18 x 4 - 1/2
7	575P	Locknut - Gripco 5/16 - 18 UNC (Plated)
8	2312J	Sprocket
9	2313J	Spacer - Sprocket

REPAIR PARTS

32" REAR ENGINE RIDING LAWN MOWER--MODEL NUMBER K8327CR
STEERING AND ENCLOSURE GROUP



REPAIR PARTS

32" REAR ENGINE RIDING LAWN MOWER--MODEL NUMBER K8327CR

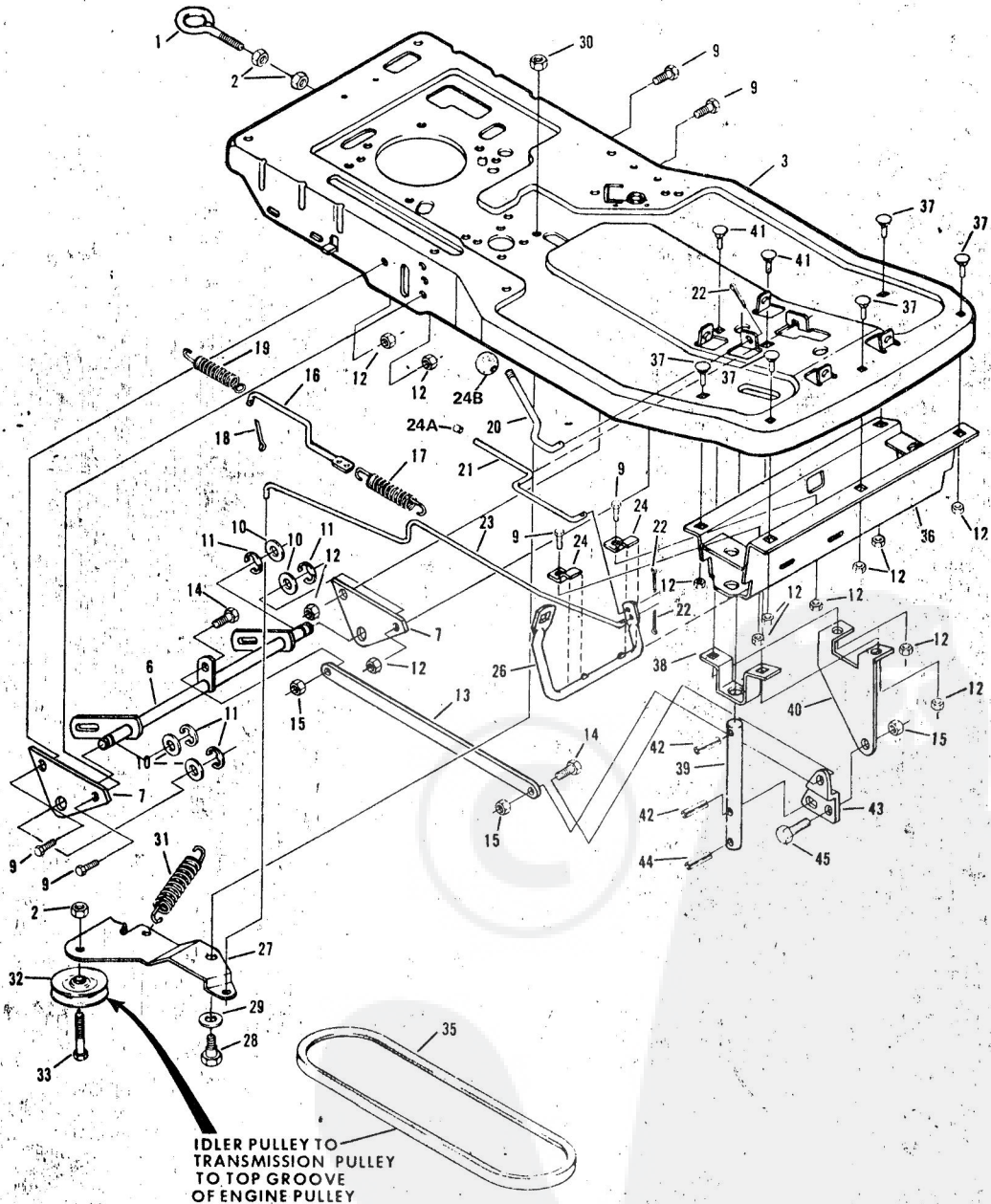
STEERING AND ENCLOSURE GROUP

KEY NO.	PART NO.	DESCRIPTION	KEY NO.	PART NO.	DESCRIPTION
1	74564	Steering Wheel	30	74531	Shifter Gate
2	1114J	Insert,Cap	31	74560	Decal - Shift
3	558P	*Jam Nut 1/2 - 20 UNF	32	74601	Decal - Roper
4	1545P	Washer 17/32 x 1 x 16 Ga.	33	74561	Decal - Blade Control
5	72705	Steering Shaft Cover	34	74512	Decal - Engine Area
6	74566	Steering Shaft - Upper	35	72926	Battery Holder
7	74682	Steering Shaft Extension	36	73319	Wing Head Stud
8	3005P	*Bolt, Hex 1/4 - 20 x 1 - 1/4 Gr. 5	37	73320	Receptacle
9	584P	Locknut with Washer Insert 1/4 - 20 UNC	38	73321	Split Ring
10	74523	Console Assembly	39	72987	Blade Brake Rod
11	3393P	Screw, Hex Thread Rolling 5/16 - 18 x 1/2	40	74544	Belt Keeper
14	75122	Decal - Operating Instructions	41	53018	Idler Pulley
15	74558	Decal - Instruction	42	74613	Spring Arm
16	1496J	Seat	43	545P	*Locknut - Gripco 3/8 - 16 UNC
17	75070	Decal - Seat	44	75045	Spring
18	74963	Front Panel	45	74538	Blade,Clutch Lever
19	72639	Bolt, Shoulder 1/2 - 13 UNC	46	71246	Grip
20	1000P	*Lockwasher 1/2	47	74539	Handle Bracket
21	1625P	Washer 17/32 x 1 - 3/16 x 12 Ga.	48	75339	Control Arm Assembly
22	2218J	Throttle Control (Inc. Key No. 23)	50	1627P	Washer 13/32 x 5/8 x 13 Ga.
23	61159	Knob - Remote Control	51	74559	Decal - Enter and Exit
24	74534	Side Panel - R.H.	52	74557	Decal - Brake Instruction
25	74532	Side Panel - L.H.	53	376J	Decal - Clutch and Brake
26	5547P	*Screw, Phillips Truss Hd. Thread Cut 1/4 - 20 x 3/4	54	74542	Idler Support Bracket
27	3386P	Screw, Hex Washer Hd. Machine 5/16 - 18 x 3/4	55	3010P	*Bolt, Hex 5/16 - 18 x 3/4
28	1626P	Washer 11/32 x 1 - 1/8 x 16 Ga.	56	74543	Idler Arm
29	567P	*Locknut - Gripco 5/16 - 18 UNC	57	67365	Foot Pad
			58	67189	Foot Pedal Plate
			59	67613	Bolt, Carriage 5/16 - 18 x 3/4 Spec
			60	72384	Floor Board Pad
			---	2079J	Owners Manual

*STANDARD HARDWARE--PURCHASE LOCAL

32" REAR ENGINE RIDING LAWN MOWER--MODEL NUMBER K8327CR

CHASSIS



32" REAR ENGINE RIDING LAWN MOWER--MODEL NUMBER K8327CR

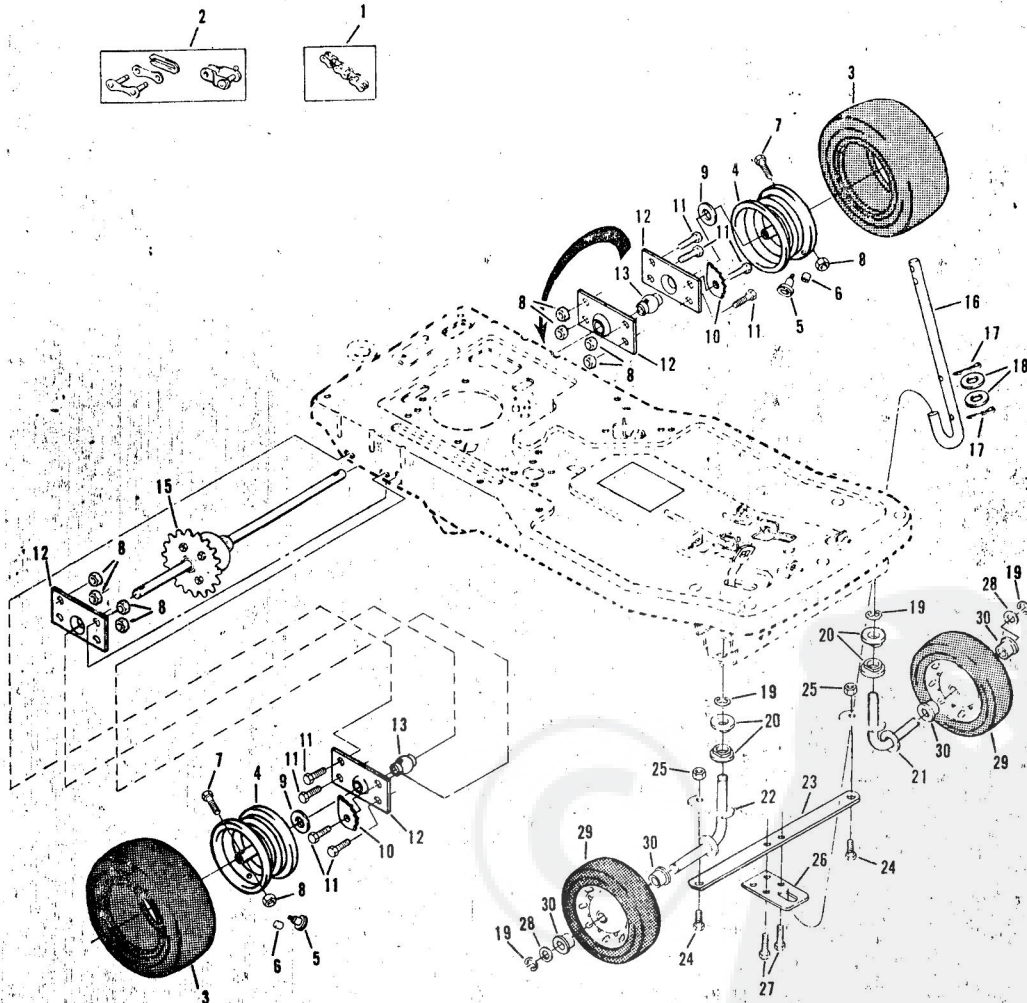
CHASSIS

KEY NO.	PART NO.	DESCRIPTION	KEY NO.	PART NO.	DESCRIPTION
1	70530	Tow Hitch - Eyebolt	26	72387	Foot Pedal
2	545P	* Locknut, Gripco 3/8 - 16 UNC	27	67174	Motion Idler
3	74514	Chassis	28	55855	Bolt, Shoulder 5/16 - 24 x 1/2
6	75264	Lever Arm Assembly	29	1628P	Washer 17/32 x 1 - 1/2 x 10 Ga.
7	75265	Side Bracket	30	586P	Nut, Nylok 5/16 - 24 UNF
9	3010P	* Bolt, Hex 5/16 - 18 x 3/4	31	2044J	Spring - Idler
10	1580P	Washer 21/32 x 1 x 16 Ga.	32	53018	Pulley - Idler
11	5001P	E-Ring	33	6066P	Bolt, Hex with Sems Lockwasher 3/8 - 16 x 1 - 1/2
12	553P	* Locknut, Gripco 5/16 - 18 UNC	35	67346	V-Belt
13	74545	Parallel Bar	36	72357	Front Member Assembly
14	67394	Bolt, Shoulder 5/16 - 18 x 3/4	37	5P	* Bolt, Carriage 5/16 - 18 x 3/4
15	580P	Locknut, Nylok 5/16 - 18 UNC	38	72375	Lifter Bracket
16	73798	Brake Rod - Rear	39	74516	Housing Lifter
17	64284	Spring	40	74515	Bellcrank Bracket
18	2503P	* Cotter Pin 3/32 x 3/4	41	17P	Bolt, Carriage 5/16 - 18 x 1
19	62755	Spring	42	74576	Drive Lok Pin - Type B
20	74527	Lifter Handle	43	74522	Bellcrank
21	72361	Parking Brake Rod	44	73446	Drive Lok Pin Type F
22	63640	Cotter Pin 5/64 x 3/4	45	68475	Bolt, Shoulder 5/16 - 18 x 3/4
23	72393	Motion Clutch and Brake Rod			
24	72360	Foot Pedal Clamp			
24A	71673	Plunger Cap			
24B	55862	Knob			

*STANDARD HARDWARE--PURCHASE LOCAL

32" REAR ENGINE RIDING LAWN MOWER--MODEL NUMBER K8327CR

WHEEL GROUP



REPAIR PARTS

32" REAR ENGINE RIDING LAWN MOWER--MODEL NUMBER K8327CR

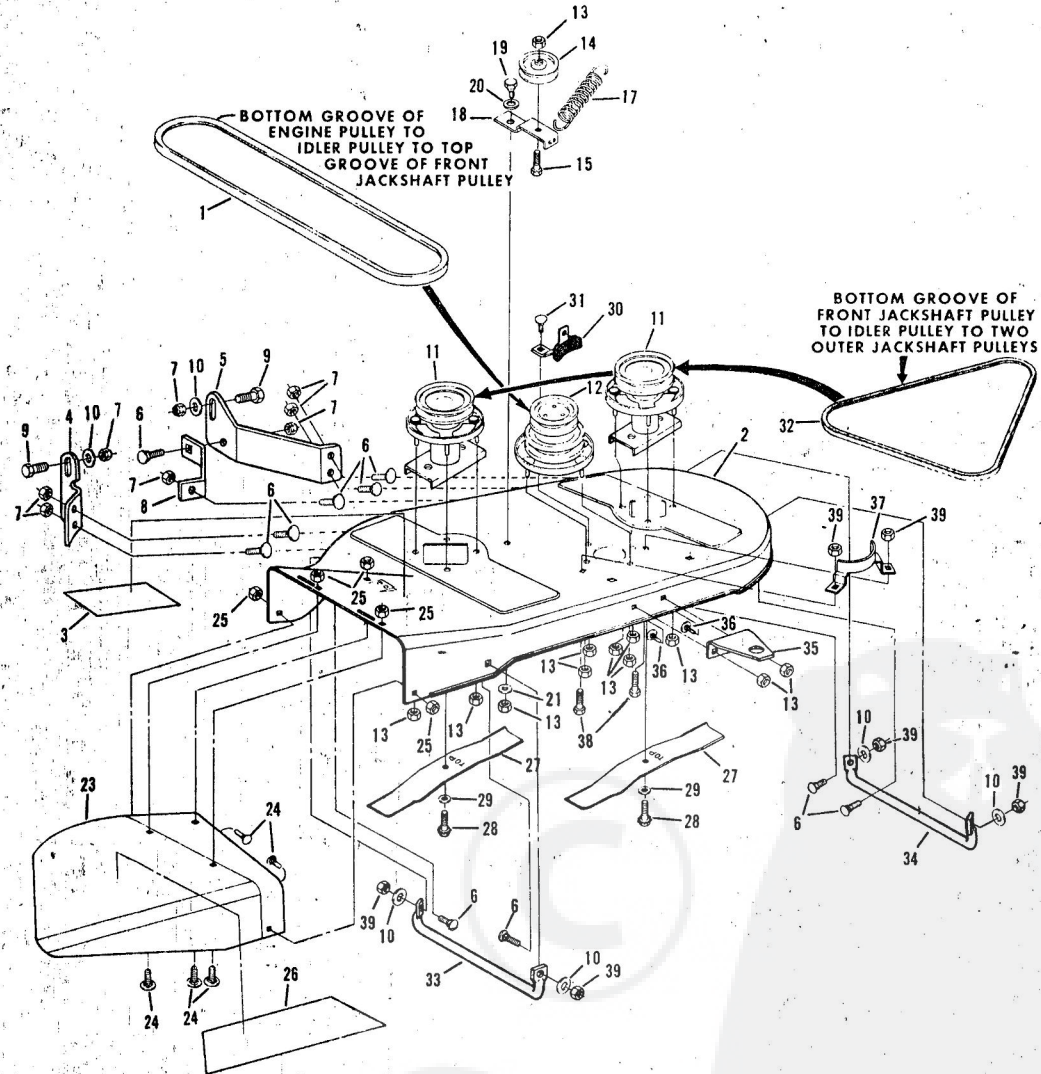
WHEEL GROUP

KEY NO.	PART NO.	DESCRIPTION	KEY NO.	PART NO.	DESCRIPTION
1	72818	Chain	16	72547	Steering Shaft
2	60474	Repair Link Kit (Inc. Offset and Connecting Link)	17	2506P	*Cotter Pin 1/8 x 1
3	70302	Tire 13 - 5.00 x 6	18	1629P	Washer 21/32 x 1 - 1/4 x 16 Ga.
4	70301	Rim - Rear	19	5001P	E-Ring
5	65139	Valve Stem	20	71208	Bearing
6	59192	Valve Cap	21	72401	Kingpin - L.H.
7	3395P	*Bolt, Hex 5/16 - 18 x 1 - 5/8 Gr. 5	22	72400	Kingpin - R.H.
8	553P	*Locknut, Gripco 5/16 - 18 UNC	23	72358	Tie Bar
9	1617P	Washer 25/32 x 1 - 1/4 x 16 Ga.	24	55855	Bolt, Shoulder - Special 5/16 - 24
10	67703	Chain Adjuster	25	582P	Locknut, Hex with Washer Insert 5/16 - 24 UNF
11	6067P	Bolt, Hex with Sems Lockwasher 5/16 - 18 x 1	26	72359	Steering Plate
12	72382	Bearing Cup	27	3393P	Screw, Thread Rolling 5/16 - 18 x 1/2
13	62346	Bearing	28	1630P	Washer 21/32 x 1 x 21 Ga.
15	2112J	Differential Assembly	29	67350	Wheel and Tire Assembly 10.50 x 3.5 (Inc. Key No. 30)
			30	64906	Bearing

*STANDARD HARDWARE--PURCHASE LOCAL

EDGING LAWN MOWER--MODEL NUMBER K8327CR

MOWER



RIDING LAWN MOWER--MODEL NUMBER K8327CR

MOWER

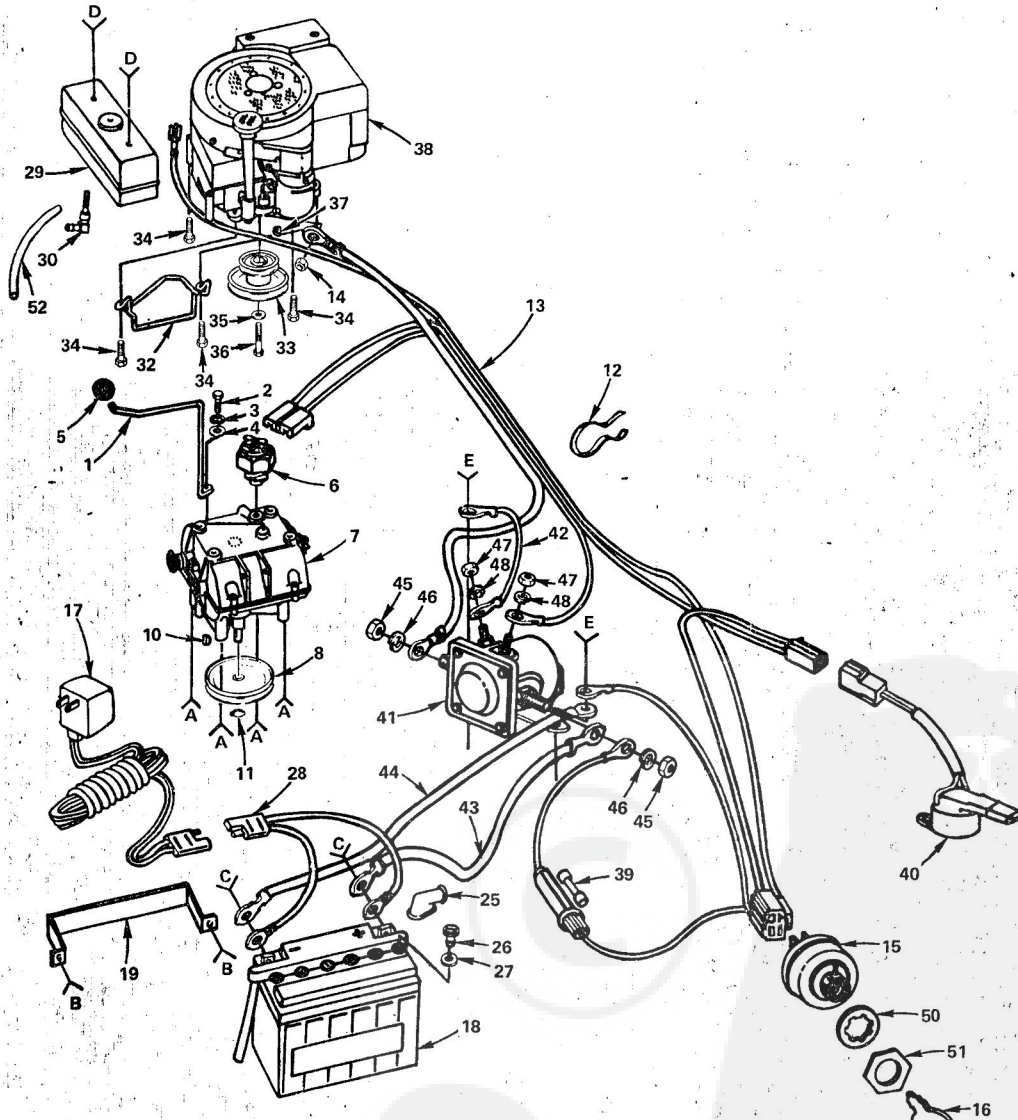
KEY NO.	PART NO.	DESCRIPTION	KEY NO.	PART NO.	DESCRIPTION
1	74212	V-Belt	21	1622P	Washer, 13/32 x 7/8 x 7 Ga.
2	79293	Housing with Silk Screening	23	71596	Discharge Guard
3	75382	Decal - Cutter Head	24	12P	*Bolt, Carriage 1/4 - 20 x 3/4
4	74551	Housing Lifter - R.H.	25	560P	Locknut, Gripco 1/4 - 20 UNC
5	74552	Housing Lifter - L.H.	26	75085	Decal - Discharge Guard
6	16P	*Bolt, Carriage 5/16 - 18 x 3/4	27	67405	Blade
7	580P	Locknut, Nylok 5/16 - 18 UNC	28	6062P	Screw, Hex Machine w/Sems Lockwas
8	74553	Strap			Nylon Patch 3/8 - 24 x 7/8 Gr. 5
9	58909	Bolt, Shoulder - Special	29	1631P	Washer 13/32 x 2 - 3/8 x 10 Ga.
10	50806	*Washer 11/32 x 3/4 x 16 Ga.	30	68107	Brake Assembly
11	71633	Jackshaft Assembly - Driven	31	3021P	*Bolt, Hex 3/8 - 16 x 3/4
12	69262	Jackshaft Assembly - Driver	32	67398	V-Belt
13	545P	Locknut, Gripco 3/8 - 16 UNC	33	74548	Skid - R.H.
14	67400	Idler Pulley	34	74549	Skid - L.H.
15	6066P	Bolt, Hex with Sems Lockwasher 3/8 - 16 x 1 - 1/2	35	74550	Mower Support
17	67401	Spring	36	19P	*Bolt, Carriage 3/8 - 16 x 3/4
18	67399	Idler Arm	37	67404	Belt Snubber
19	62361	Bolt, Shoulder - Special	38	6052P	Screw, Hex Head with Sems
20	67356	Washer - Special	39	553P	Lockwasher 5/16 - 18 x 3/4 Locknut, Gripco 5/16 - 18 UNC








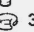

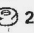
*STANDARD HARDWARE--PURCHASE LOCALLY

REPAIR PARTS

32" REAR ENGINE RIDING LAWN MOWER - MODEL NUMBER K8327CR

ELECTRICAL



- | | | | | |
|-------------------------------------------------------------------------------------|-------------------------------------------------------------------------------------|-------------------------------------------------------------------------------------|---------------------------------------------------------------------------------------|---------------------------------------------------------------------------------------|
| A | B | C | D | E |
|  |  |  |  |  |
| |  |  | |  |
| | |  | |  |

REPAIR PARTS

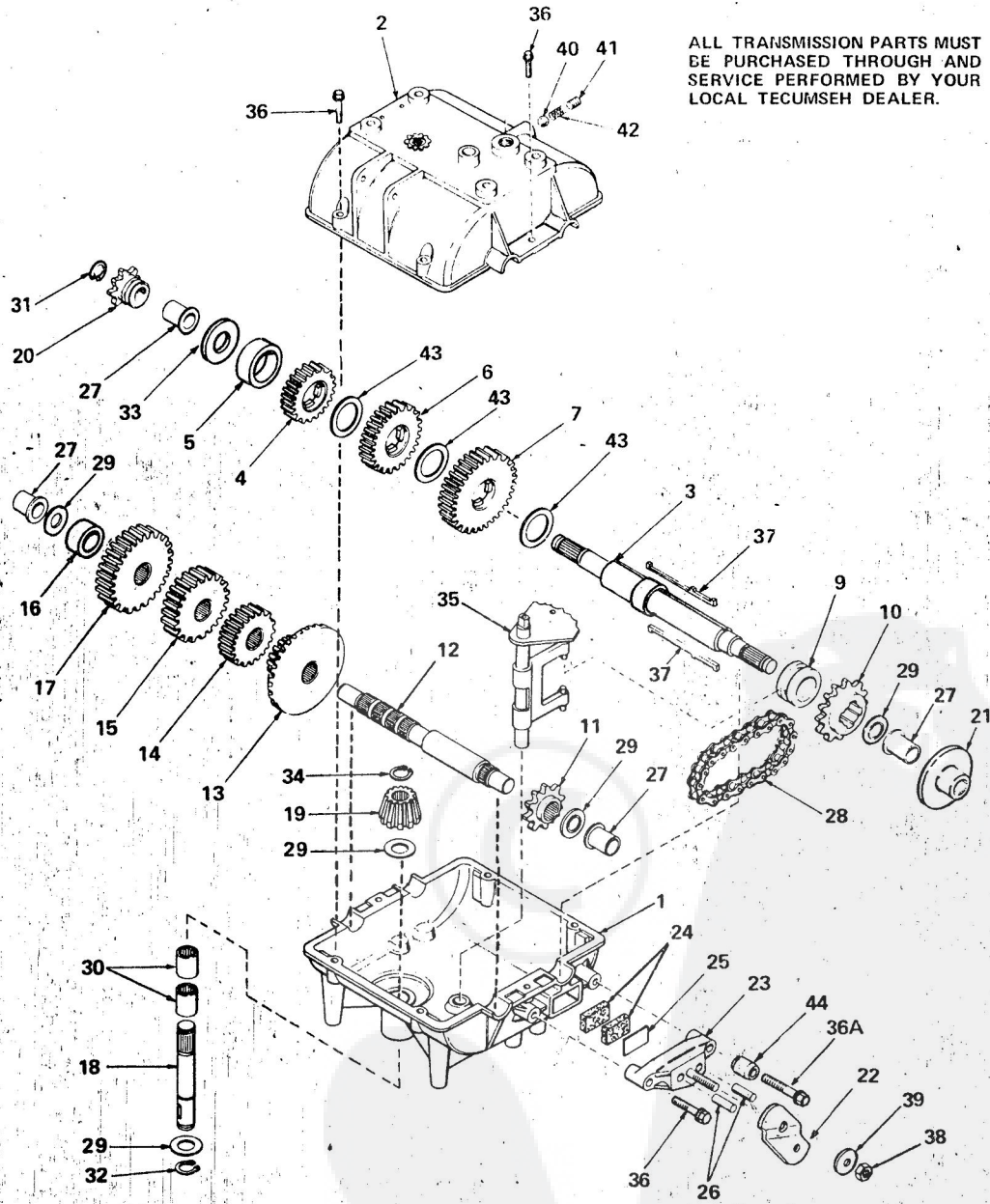
32" REAR ENGINE RIDING LAWN MOWER--MODEL NUMBER K8327CR

ELECTRICAL

KEY NO.	PART NO.	DESCRIPTION	KEY NO.	PART NO.	DESCRIPTION
1	75266	Shift Lever	27	2224J	Gasket, Battery
2	3396P	Bolt, Hex 1/4 - 28 x 1/2 Gr. 5	28	600J	Charger Plug Assembly
3	1002P	Lockwasher 1/4	29	742J	Fuel Tank
4	1507P	Washer 9/32 x 3/4 x 16 Ga.	30	739J	Fuel Tank Elbow
5	55862	Knob	31	3358P	Screw, Truss Hd. Phillips 1/4 - 20 x 5/8
6	74525	Switch - Transmission	32	677A201	Belt Keeper Assembly
7	794212A	Transmission Assembly (719A)	33	2198J	Engine Pulley
8	73541	Pulley - Transmission	34	5608P	Screw, Hex Hd. Thd. Rolling 3/8 - 16 x 1 - 1/2
9	6069P	Bolt w/Sems Lockwasher 5/16 - 18 x 5/8	35	1634P	Washer 3/8 x 1 - 1/4 x 7 Ga.
10	58349	Key, Woodruff No. 9	36	6070P	Screw, Hex Hd. w/Sems Lockwasher 3/8 - 24 x 1 - 3/8 Nylon Patch Gr. 5
11	65302	Retaining Ring	37	52859	Key, Woodruff No. 61
12	43174	Wire Tie	38	191705	Engine, 8 H.P. Briggs & Stratton Type No. 5647-01
13	2081J	Wire Harness	39	6347R	Fuse - 30 Amp.
14	53490	Locknut 1/4 - 20	40	2093J	Safety Switch
15	4406R	Ignition Switch	41	7754R	Solenoid
16	7552H	Key	42	8027R	Wire, Solenoid Ground
17	71893	Battery Charger	43	669J	Cable Assembly (Battery to Solenoid)
18	70451	Battery Pack	44	2098J	Cable Assembly (Battery to Ground)
19	72706	Battery Strap	45	589P	Nut, Hex 5/16 - 24 UNF
20	3397P	Screw, Truss Hd. Phillips 1/4 - 20 x 1/2	46	1007P	Lockwasher 5/16
21	588P	Locknut, 1/4 - 20 UNC w/Washer Inset	47	543P	Nut, Hex No. 10 - 32
22	3114P	Screw, Hex Head 1/4 - 20 x 1/2 (Furnished w/Battery Pack)	48	1006P	Lockwasher No. 10
24	503P	Hex Nut 1/4 - 20	49	3003P	Bolt, Hex 1/4 - 20 x 3/4
25	719J	Terminal Boot	50	67758	Lockwasher, Internal Tooth 5/8
26	2223J	Cap, Battery	51	67759	Nut 5/8 - 32 UNF
			52	2316J	Fuel Line

REPAIR PARTS

32" REAR ENGINE RIDING LAWN MOWER--MODEL NUMBER K8327CR
TRANSMISSION MODEL NUMBER 719A



REPAIR PARTS

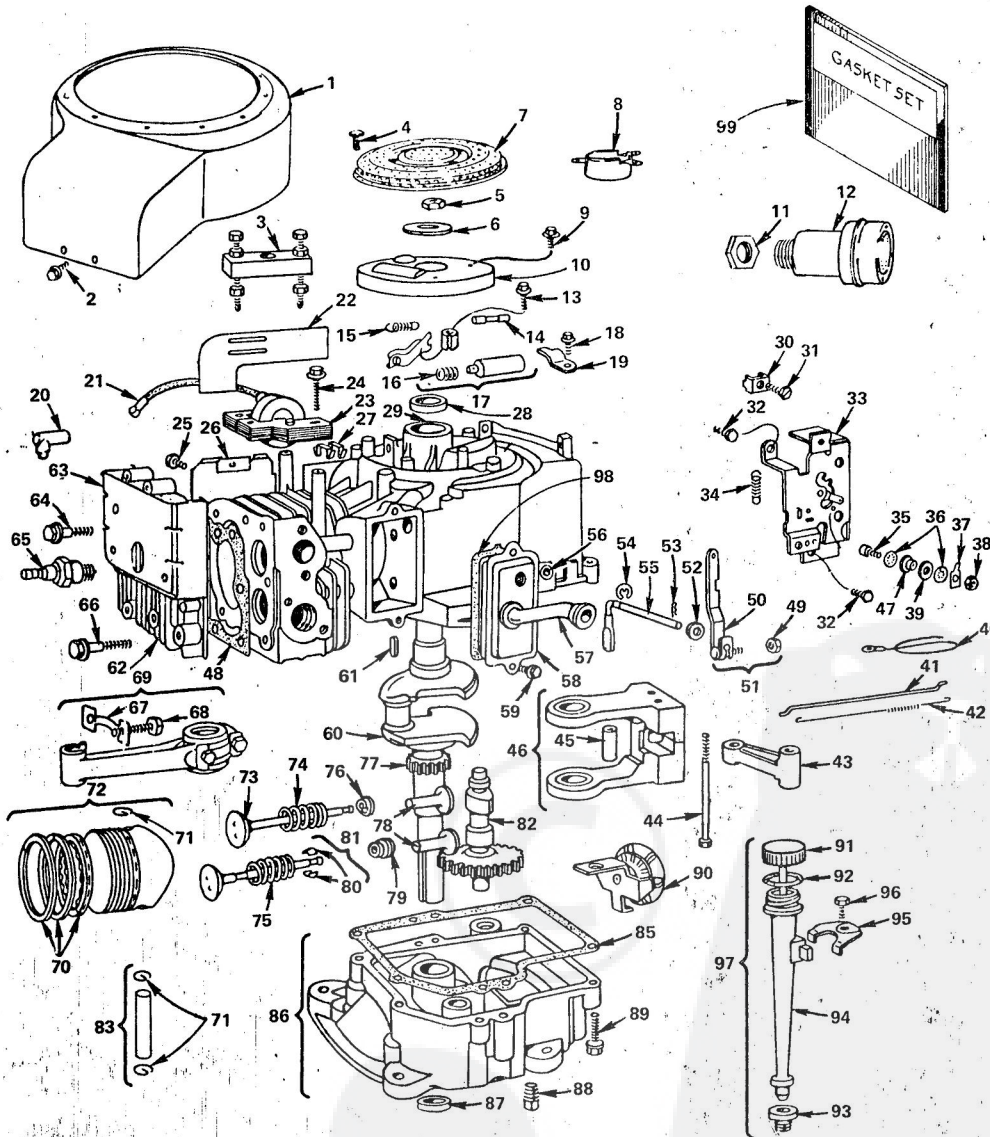
32" REAR ENGINE RIDING LAWN MOWER--MODEL NUMBER K8327CR TRANSMISSION MODEL NUMBER 719A

KEY NO.	PART NO.	DESCRIPTION	KEY NO.	PART NO.	DESCRIPTION
1	794212A	Complete Transmission (719A)	25	790007	Plate, Brake pad
2	770061	Case, Transmission	26	786026	Pin, Dowel
3	772070	Cover, Transmission	27	780105	Bushing, Flanged
4	776162	Shaft, Output and Brake	28	786081	Chain, Roller (No. 41 chain, 24 links
5	778121	Gear, Spur (20 teeth)	29	780072	Race, Thrust
6	786072	Spacer	30	780106	Bearing, Needle
7	778123	Gear, Spur (25 teeth)	31	792072	Ring, Retaining
8	778124	Gear, Spur (30 teeth)	32	792035	Ring, Retaining
9	784266	Collar, Shift	33	780109	Washer
10	786083	Sprocket (18 teeth)	34	788040	Ring, Retaining
11	788082	Sprocket (9 teeth)	35	784270	Rod & Fork Assy., Shift
12	776134	Shaft, Counter	36	792073	Screw, Hex hd. taptite, 1/4 - 20 x 1 - 1/4
13	778109	Gear, Bevel (42 tooth and 15 tooth spur gear)	36A	792085	Screw, Hex hd. taptite, 1/4 - 20 x 2 - 1/4
14	778126	Gear, Spur (20 teeth)	37	792089A	Key
15	778127	Gear, Spur (25 teeth)	38	792075	Nut, 5/16 - 24 lock
16	786071	Spacer	39	792076	Washer, Flat, 5/16
17	778129	Gear, Spur (30 teeth)	40	792077	Ball, Steel, 5/16"
18	776135	Shaft, Input	41	792078	Screw, Set, 3/8 - 16 x 3/8
19	778113	Bevel pinion, Input	42	792079	Spring
20	786047	Sprocket (8 teeth)	43	780108	Washer, Thrust
21	790003	Disk, Brake	44	786067	Spacer
22	790004	Lever, Brake			
23	790005	Holder, Brake pad			
24	790006	Pad, Brake			

REPAIR PARTS

32" REAR ENGINE RIDING LAWN MOWER--MODEL NUMBER K8327CR
BRIGGS & STRATTON 8 H.P. ENGINE--MODEL NO. 191705, TYPE NO. 5647-01

CYLINDER, CRANKSHAFT AND ENGINE BASE GROUP



ALL ENGINE PARTS MUST BE PURCHASED THROUGH AND SERVICE PERFORMED BY YOUR LOCAL BRIGGS AND STRATTON DEALER.

REPAIR PARTS

**32" REAR ENGINE RIDING LAWN MOWER--MODEL NUMBER K8327CR
BRIGGS & STRATTON 8 H.P. ENGINE--MODEL NO. 191705, TYPE NO. 5647-01**

CYLINDER, CRANKSHAFT AND ENGINE BASE GROUP

KEY NO.	PART NO.	DESCRIPTION	KEY NO.	PART NO.	DESCRIPTION
1	391379	Housing - Blower	55	231053	Crank - Governor
2	93158	Screw - Sem	56	231055	Bushing - Governor Crank
3	19165	Puller - Flywheel	57	280005	Breather Tube
4	93805	Screw - Sem	58	391406	Breather Ass'y.
5	92284	Nut - Flywheel	59	93536	Sems Screw
6	220865	Washer - Spring	60	391757	Crankshaft
7	222562	Screen - Flush Rotating	61	61760	Key - Flywheel
8	222561	Cup - Screen Mtg.	62	212286	Cylinder Head
9	93705	Screw - Sem	63	222636	Cover - Cylinder Head
10	222117	Cover - Breaker Point	64	93211	Screw - 2 - 21/32"
11	91242	Locknut - Muffler	65	293918	Spark Plug Resistor
12	393010	Muffler - Exhaust	66	93723	Screw - 3"
13	93381	Screw - Breaker Arm	67	222114	Lock - Connecting Rod Screw
14	65704	Plunger - Breaker Point	68	92659	Screw - Connecting Rod
15	26018	Spring - Breaker Arm	69	390402	Rod Ass'y. - Connecting (Inc. Key No's. 67 & 68)
16	260374	Spring - Connector	70	391669	RING SET - PISTON - Std.
17	294628	Breaker Points & Condenser (Inc. Key No's. 15 & 16)		391670	.010 Oversize
18	93042	Screw - Sem		391671	.020 Oversize
19	220477	Clamp - Condenser		391672	.030 Oversize
20	66538	Elbow - Spark Plug	71	68546	Lock - Piston Pin
21	221798	Terminal - Ignition Cable	72	391673	Piston Ass'y. (Inc. Key No's. 70 & 71)
22	221760	Guide - Air		391674	.010 Oversize
23	298968	Armature Ass'y.		391675	.020 Oversize
24	93381	Screw - Armature		391676	.030 Oversize
25	93163	Screw - Sem	73	261055	Intake Valve
26	222830	Shield - Cylinder	74	65906	Spring - Intake Valve
27	221907	Clip - Wire	75	26828	Spring - Exhaust Valve
28	294606	Oil Seal	76	221596	Retainer - Intake Valve
29	392005	Cylinder Assembly	77	261195	Gear - Timing
30	221535	Clamp - Casing	78	260933	Tappet - Valve
31	93496	Screw - Sem	79	292260	Rotocoil - Exhaust Valve
32	93572	Screw	80	93630	Retainer - Exhaust Valve
33	390662	Plate - Governor Control	81	390419	Exhaust Valve (Inc. Key No. 80)
34	261306	Spring - Governor	82	211689	Gear - Cam
35	91920	Screw - Terminal	83	295840	Pin Ass'y. - Piston (Inc. (2) each Key No. 71)
36	92791	Lockwasher		295841	Pin Ass'y. - Piston .005 Oversize
37	93722	Terminal - Spade	85	27750	*Gasket - Crankcase Cover
38	90576	Hex Nut No. 8 - 32	86	298616	Oil Sump (Inc. Key No's. 85 and 87)
39	66068	Washer - Insulating	87	298423	Oil Seal
40	299500	Wire - Ground	88	91084	Plug - Oil Drain
41	260971	Link - Governor	89	93585	Screw - Sem
42	260584	Spring - Governor Link	90	392718	Oil Slinger - Governor
43	211675	Link - Counterweight	91	391840	Cap & Dipstick - Oil Filler
44	93874	Screw - Counterweight	92	270920	Seal - Filler Cap
45	298909	Pin - Counterweight	93	68838	Seal - Filler Tube
46	390172	Counterweight Ass'y.	94	280133	Tube - Oil Filler
47	66554	Collar - Insulating	95	222502	Clamp - Oil Filler Tube
48	270430	*Gasket - Cylinder Head	96	93804	Screw - Clamp Mtg.
49	231082	Hex Nut No. 10 - 24	97	392066	Filler Group - Oil (Inc. Key No's. 91, 92, 93, 94, 95 & 96)
50	92613	Bolt - Governor Lever	98	27803	*Gasket - Valve Cover
51	391733	Lever Ass'y. - Governor (Inc. Key No's. 49 & 50)	99	299577	Gasket Set
52	222450	Washer - Governor Lever			
53	93306	Cotter - Hair Pin			
54	93307	Retainer - E-Ring			

*INCLUDED IN GASKET SET 299577

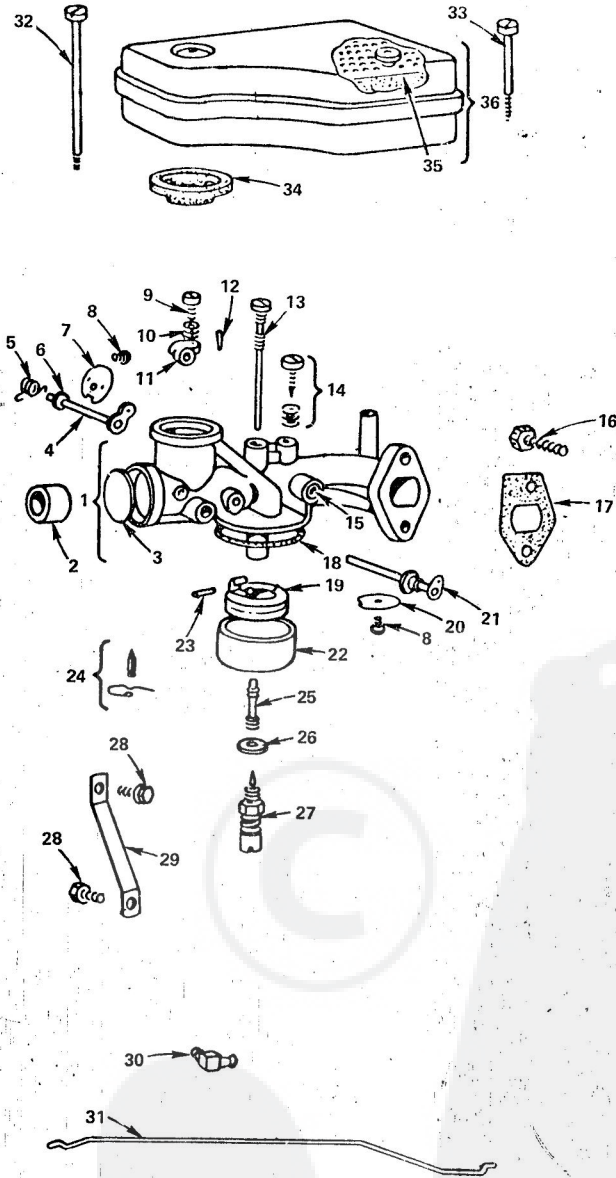
SPARK ARRESTER ASSEMBLY (OPTIONAL)

391913	Spark Arrester
222537	Deflector
93705	Screw (4 required)

REPAIR PARTS

32" REAR ENGINE RIDING LAWN MOWER-MODEL NUMBER K8327CR
BRIGGS & STRATTON 8 H.P. ENGINE--MODEL NO. 191705, TYPE NO. 5647-01

CARBURETOR NUMBER 390811



ALL ENGINE PARTS MUST BE PURCHASED THROUGH AND SERVICE PERFORMED BY YOUR LOCAL BRIGGS AND STRATTON DEALER.

REPAIR PARTS

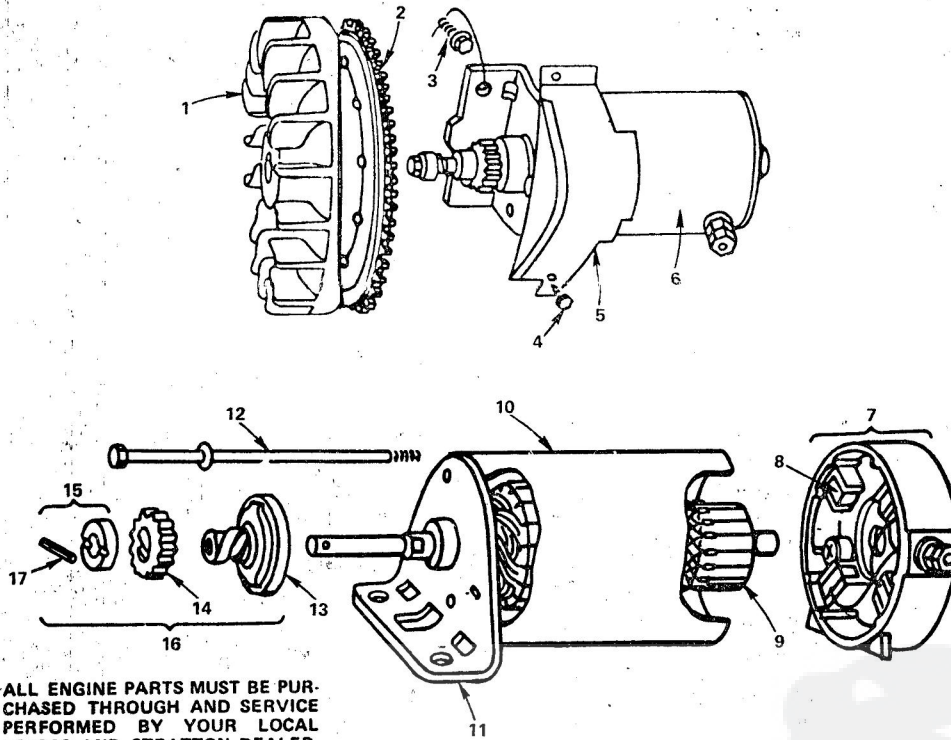
32" REAR ENGINE RIDING LAWN MOWER--MODEL NUMBER K8327CR
BRIGGS & STRATTON 8 H.P. ENGINE--MODEL NO. 191705, TYPE NO. 5647-01

CARBURETOR NUMBER 390811

KEY NO.	PART NO.	DESCRIPTION	KEY NO.	PART NO.	DESCRIPTION
1	299851	Body Ass'y. (Includes Key No. 3)	21	391512	Shaft & Lever - Throttle
2	211682	Venturi - Carburetor	22	221995	Bowl - Float
3	221997	*Plug - Welch	23	230896	*Pin - Float Hinge
4	390684	Shaft and Lever - Choke	24	299096	*Valve - Fuel Inlet
5	261116	Spring - Choke Return	25	230932	*Screw - Nozzle
6	270382	Washer - Choke Shaft	26	222014	*Washer - Float Bowl
7	222010	Valve - Choke	27	391233	*Valve - Needle
8	93499	Screw - Sem	28	93572	Screw
9	91920	Screw - Fil. Hd. Mach. No. 8 - 32 x 5/8	29	222027	Bracket - Carburetor
10	26157	Spring - Throttle Adjustment	30	67218	Connector - Fuel Pipe
11	211712	Stop - Throttle	31	261117	Link - Choke
12	93043	Pin - Throttle Stop	32	93323	Screw - Air Cleaner
13	299740	*Nozzle - Carburetor	33	93622	Screw - Air Cleaner
14	292681	*Valve Ass'y. - Carb. Idle	34	270539	Gasket - Air Cleaner
15	23108	Bushing - Throttle Shaft	35	270528	Element - Air Cleaner
16	93357	Screw - Carburetor Mtg.	36	391399	Air Cleaner Ass'y. (Inc. Key No 35)
17	270824	*Gasket - Carburetor Mtg.		299852	Carburetor Overhaul Kit (Inc. Parts Marked *)
18	270511	*Gasket - Float Bowl		390811	Carburetor Assembly
19	299707	Float - Carburetor			
20	221986	Valve - Throttle			

BRIGGS & STRATTON 8 H.P. ENGINE--MODEL NO. 191705, TYPE NO. 5647-01

FLYWHEEL AND STARTER MOTOR GROUP



ALL ENGINE PARTS MUST BE PURCHASED THROUGH AND SERVICE PERFORMED BY YOUR LOCAL BRIGGS AND STRATTON DEALER.

KEY NO.	PART NO.	DESCRIPTION
1	392034	Flywheel and Ring Gear Ass'y.
2	392134	Gear - Ring
3	93523	Screw - Sem
4	93410	Screw - Sem
5	390233	Cover & Shield - Starter
6	392749	Motor, Starter (Inc. Key No's. 7 thru 17)
7	390846	End Cap Ass'y. Commutator (Inc. Key No. 8)
8	391705	Brush Ass'y.
9	392747	Armature Ass'y.
10	392744	Housing Ass'y.
11	392061	End Cap Ass'y. Drive
12	391706	Thru Bolt Ass'y.
13	391135	Clutch Ass'y.
14	280104	Gear
15	391462	Retainer & Pin (Inc. Key No. 17)
16	391461	Drive Ass'y. (Inc. Key No's. 13,14 & 15)
17	93754	Roll Pin