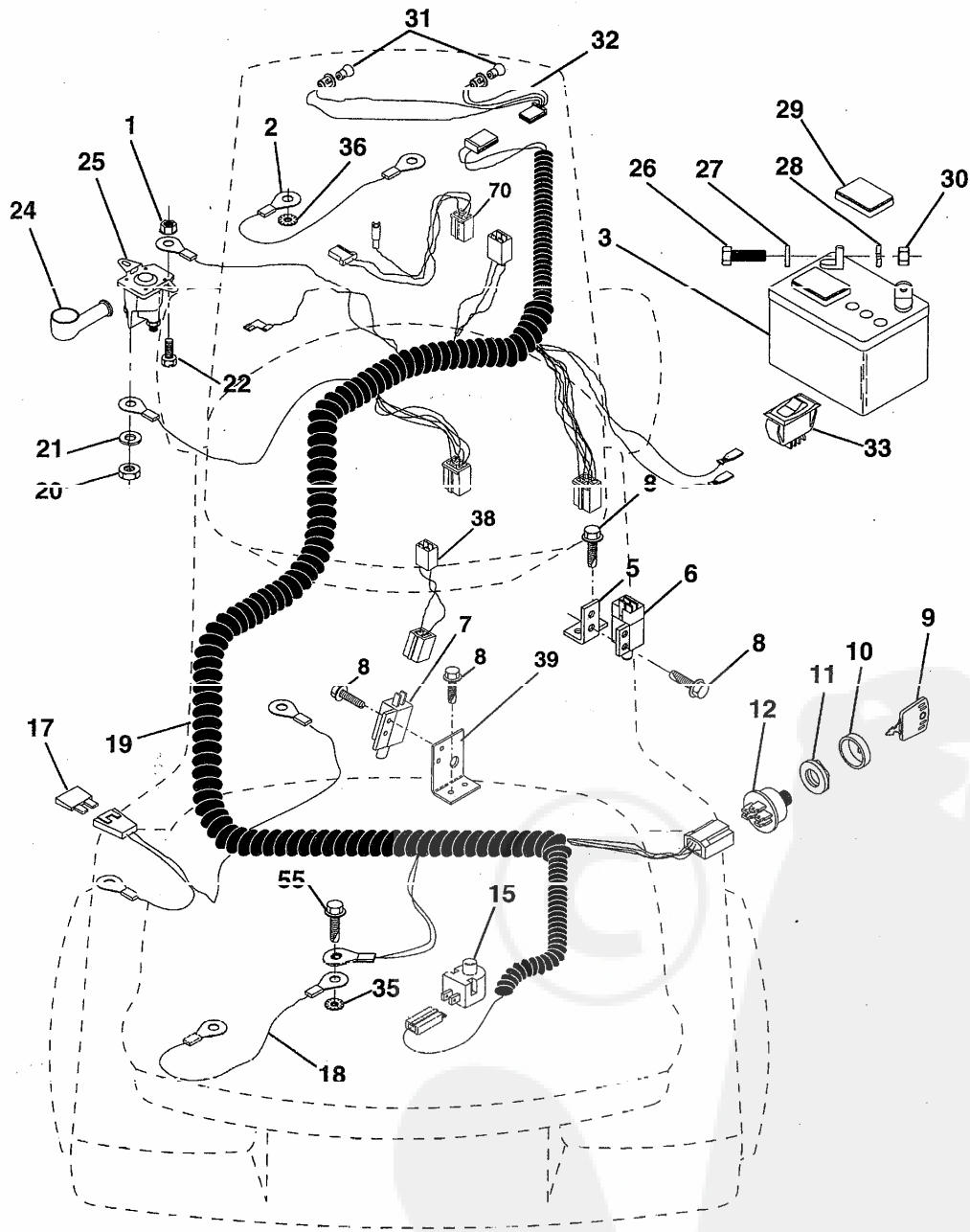


# REPAIR PARTS

12 HP 38" TRACTOR -- MODEL NUMBER 6D2A9A

## ELECTRICAL



## REPAIR PARTS

### 12 HP 38" TRACTOR -- MODEL NUMBER 6D2A9A

#### ELECTRICAL

KEY NO.	PART NO.	DESCRIPTION
1	73510400	Nut, Hex, Keps 1/4-20
2	108423X	Assembly, Cable
3	133909	Battery
5	108236X	Bracket, Switch
6	109553X	Switch, Interlock, 4 Terminal
7	104445X	Switch, Interlock, 2 Terminal
8	17021008	Screw, Hex Head, Self-Tapping #10-24 x 1/2
9	140401	Key, Molded
10	141226	Cover, Ignition Key
11	140400	Nut, Ignition
12	140399	Switch, Ignition
15	121305X	Switch, Plunger
17	108824X	Fuse
18	128353	Assembly, Cable
19	143132	Harness, Ignition
20	73350400	Nut, Hex, Jam 1/4-20
21	10090400	Washer, Lock 1/4
22	74780408	Bolt, Hex, Fin. 1/4-20 UNC x 1/2 Grade 5
24	131563	Cover, Terminal
25	138406	Solenoid
26	74760412	Bolt, Hex Head 1/4-20 UNC x 3/4
27	19091016	Washer 9/32 x 5/8 x 16 Gauge
28	10040400	Washer, Lock 1/4
29	121264X	Cap. Battery
30	73220400	Nut, Hex, Fin. 1/4-20 UNC
31	4152J	Bulb, Light
32	136850	Harness, Headlight
33	110712X	Switch, Light
35	11050500	Washer, Lock, External Tooth 5/16
36	11150400	Washer, Lock, Internal Tooth 1/4
38	140660	Harness Adapter
39	141735	Bracket Switch Clutch
55	17490508	Screw Thdrol 5/16 - 18 x 1/2
70	140413	Harness Engine

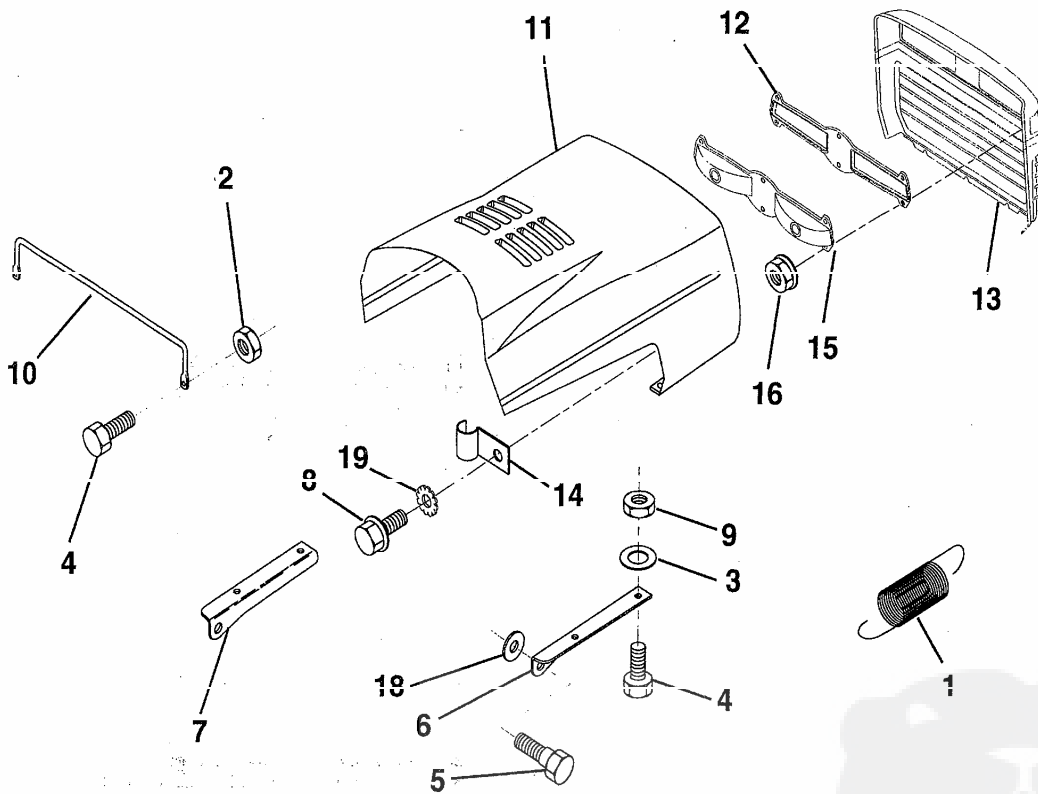
**NOTE:** All component dimensions given in U.S. inches  
1 inch = 25.4 mm

**HARDWARE SHOWN LARGER FOR EASIER IDENTIFICATION**

# REPAIR PARTS

## 12 HP 38" TRACTOR - - MODEL NUMBER 6D2A9A

### HOOD



KEY NO.	PART NO.	DESCRIPTION
1	124657X	Spring, Extension
2	73510400	Nut, Hex, Keps 1/4-20 UNC
3	19091416	Washer 9/32 x 7/8 x 16 Ga.
4	74780412	Bolt, Hex, Fin 1/4-20 x 3/4 Grade 5
5	126675X	Bolt, Shoulder
6	122549X	Bracket, Hood, R.H.
7	122548X	Bracket, Hood, L.H.
9	17521210	Screw, Sltd. Hex Hd. W/Pl. Washer
9	73800400	Nut, Lock W/Insert 1/4-20
10	123693X	Brace, Hood

KEY NO.	PART NO.	DESCRIPTION
11	132918X505	Hood
12	127178	Lens
13	134232X428	Grill
14	4171R	Clip, Fuel Line
15	127177X	Light Box
16	124346X	Nut, Self-Threading 3/16
18	19111116	Washer 11/32 x 11/16 x 16 Ga.
19	11030400	Washer, Lock Ext/int Tooth 1/4

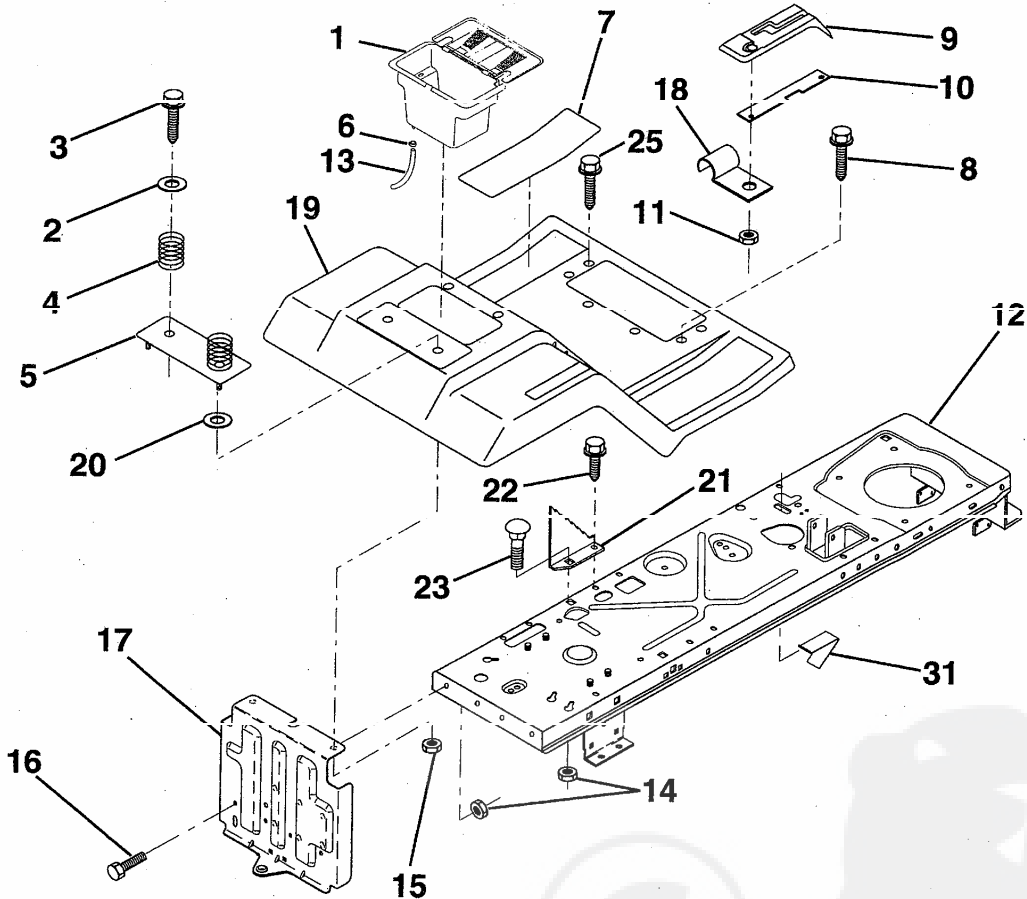
**NOTE:** All component dimensions given in U.S. inches.  
1 inch = 25.4 mm.

**HARDWARE SHOWN LARGER FOR EASIER IDENTIFICATION**

# REPAIR PARTS

12 HP 38" TRACTOR -- MODEL NUMBER 6D2A9A

## FENDER / CHASSIS



KEY NO.	PART NO.	DESCRIPTION
1	129965	Case, Battery
2	19132012	Washer 13/32 x 1-1/4 x 12 Gauge
3	17490612	Screw, Hex Washer Head, Thd. Roll. 3/8-16 x 3/4
4	124181X	Spring, Compression, Seat
5	127115X505	Plate, Battery
6	109596X	Clamp, Hose
7	124144X	Pad, Footrest
8	17490512	Screw, Hex Washer Head, Thd. Roll. 5/16-18 x 3/4
9	126995X	Console, Shift Control
10	139783	Bar, Shift Lock
11	124346X	Nut, Self-Threading 3/16

KEY NO.	PART NO.	DESCRIPTION
12	140784	Assembly, Frame
13	109238X	Tube, Battery Drain
14	73800500	Nut, Lock Hex W/Ins. 5/16-18
15	73510400	Nut, Hex, Keps 1/4-20
16	74760512	Bolt, Hex 5/16-18 UNC x 3/4
17	140782	Drawbar
18	126470X	Clip, Insulated
19	140956X505	Fender/Footrest
20	19091413	Washer 9/32 x 7/8 x 13 Gauge
21	140297	Bracket Stop Depth Lr
22	17490508	Screw Thdrol 5/16 - 18 x 1/2
23	72110506	Bolt RdhdSqnk 5/16 - 18 x 3/4
25	17490516	Scr.-1lx Wsh Thd Rol 5/16 - 18 x 1T
31	141736	Switch, Actuator

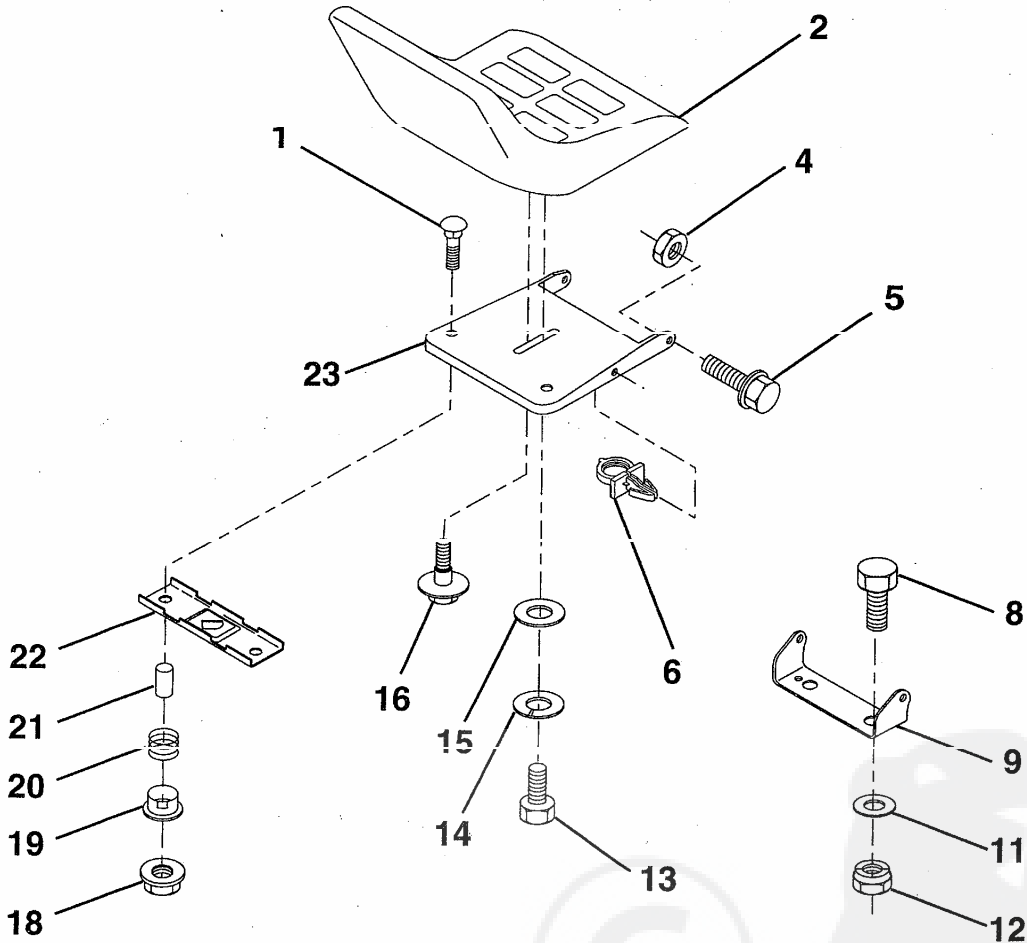
NOTE: All component dimensions given in U.S. inches.  
1 inch = 25.4 mm.

HARDWARE SHOWN LARGER FOR EASIER IDENTIFICATION

# REPAIR PARTS

12 HP 38" TRACTOR -- MODEL NUMBER 6D2A9A

## SEAT



KEY NO.	PART NO.	DESCRIPTION
1	72050411	Bolt, Carriage 1/4-20 x 1-3/8
2	127427	Seat
4	73800500	Nut, Lock Hex W/Ins. 5/16-18
5	139888	Bolt, Shld. 5/16-18
6	140407	Clip, Push-In
8	74760616	Bolt, Hex, Fin 3/8-16 UNC x 1
9	140551	Bracket, Pivot, Seat
11	19133210	Washer 13/32 x 2 x 10 Gauge
12	73800600	Nut, Lock Hex W/Wsh 3/8-16
13	74780814	Bolt, Fin Hex 1/2 - 13 x 7/8 Gr. 5

KEY NO.	PART NO.	DESCRIPTION
14	10040800	Washer Lock Hvy HLCL Spr. 1/2
15	19171912	Washer 17/32 x 13/16 x 12 Gauge
16	127018X	Bolt, Shoulder
18	123976X	Locknut, Hex, Large, Flange
19	121248X	Bushing, Snap
20	121250X	Spring, Compression
21	134300	Spacer, Split, Large .28 Id. x .96
22	121246X	Bracket, Switch, Mounting
23	140552	Pan, Seat

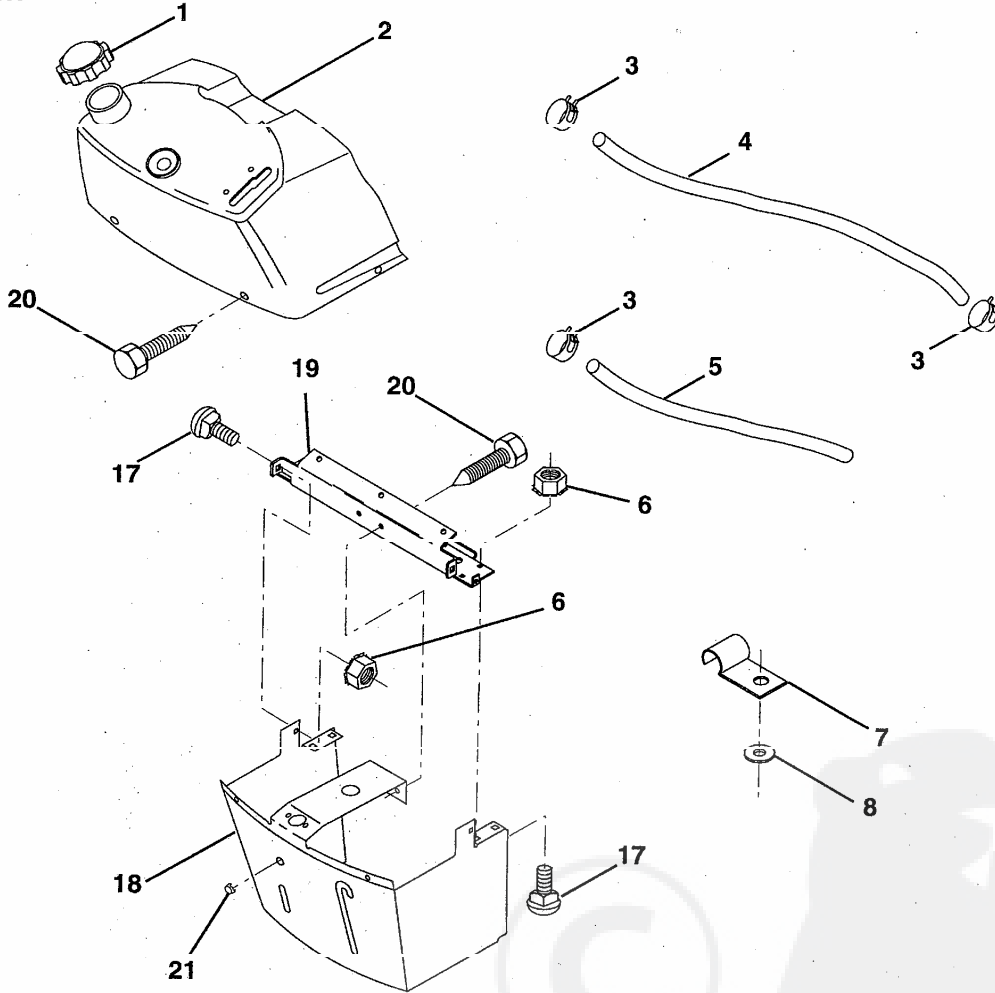
NOTE: All component dimensions given in U.S. inches.  
1 inch = 25.4 mm.

HARDWARE SHOWN LARGER FOR EASIER IDENTIFICATION

# REPAIR PARTS

## 12 HP 38" TRACTOR -- MODEL NUMBER 6D2A9A

### DASH



KEY NO.	PART NO.	DESCRIPTION
1	141523	Cap, Fuel
2	138392	Assembly, Dash & Fuel Tank
3	123487X	Clamp, Hose
4	8544R	Line, Fuel
5	8545R	Line, Fuel
6	73510400	Nut, Hex, Keys 1/4-20
7	2751R	Clip, Fuel Line

KEY NO.	PART NO.	DESCRIPTION
8	19091216	Washer 9/32 x 3/4 x 16 Gauge
17	72110404	Bolt, Carriage 1/4-20 x 1/2 Grade 5
18	131886	Support Assembly, Dash
19	134744	Brace, Cross
20	17060408	Screw, Tap 1/4-20 x 1/2
21	134014	Plug, Dome

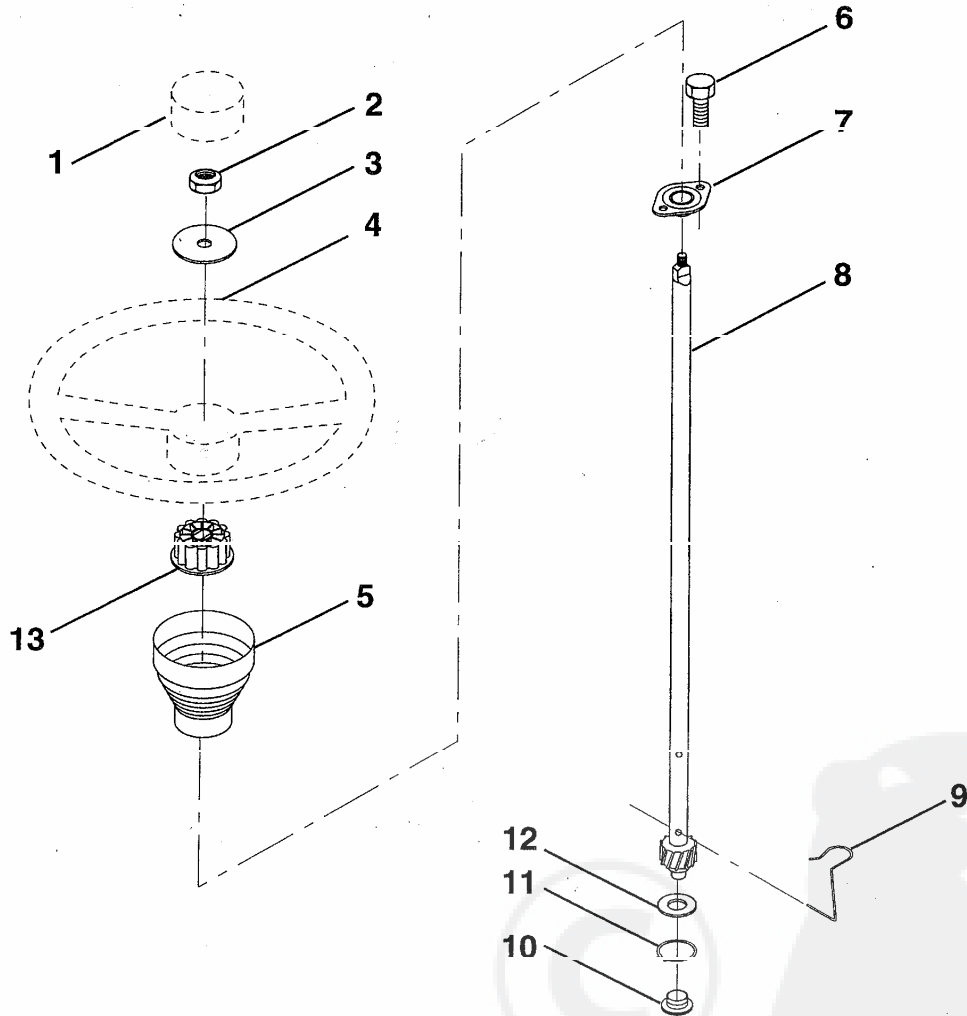
**NOTE:** All component dimensions given in U.S. inches.  
1 inch = 25.4 mm.

**HARDWARE SHOWN LARGER FOR EASIER IDENTIFICATION**

# REPAIR PARTS

12 HP 38" TRACTOR -- MODEL NUMBER 6D2A9A

## STEERING WHEEL



KEY NO.	PART NO.	DESCRIPTION
1	133742	Insert, Steering Wheel
2	7810H	Locknut 3/8-24 UNF
3	19133808	Washer 13/32 x 2-3/8 x 8 Ga.
4	133741	Wheel, Steering
5	121897X	Sleeve, Steering
6	17431008	Screw, Hex Self-Tapping #10-16 x 1/2
7	102803X	Bushing, Steering

KEY NO.	PART NO.	DESCRIPTION
8	123651X	Shaft, Steering
9	124210X	Clip, Steering
10	123438X	Bushing, Lower, Steering
11	12000045	Ring, Retaining
12	19211616	Washer 21/32 x 1 x 16 Ga.
13	104820X	Adaptor, Steering Wheel

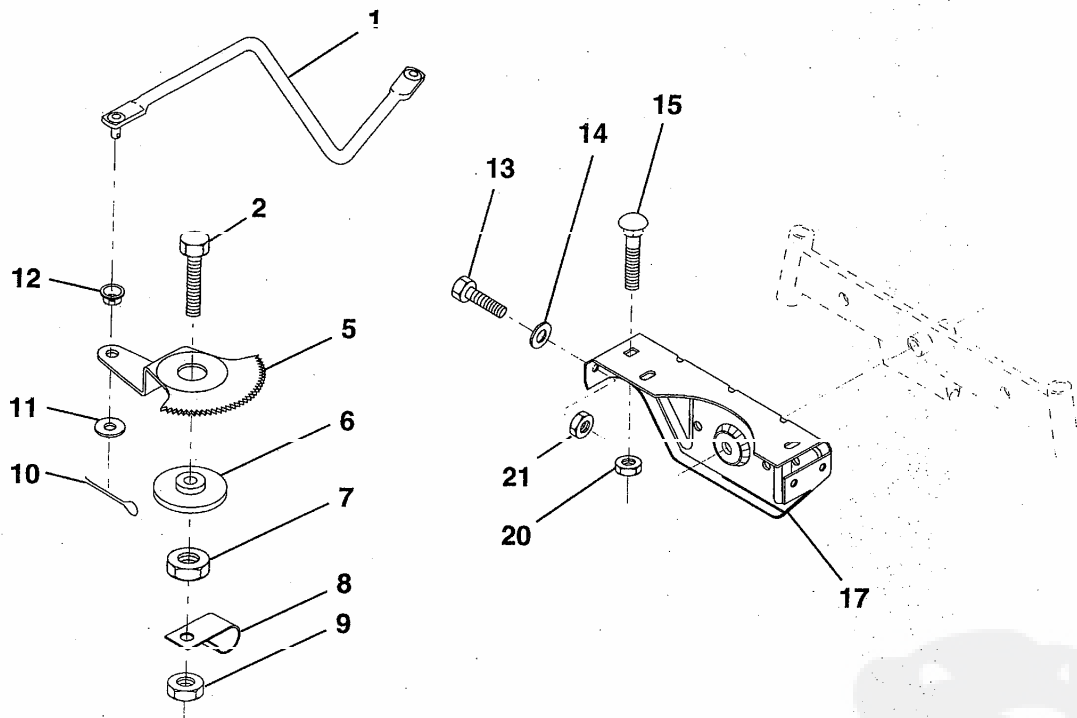
**NOTE:** All component dimensions given in U.S. inches.  
1 inch = 25.4 mm.

HARDWARE SHOWN LARGER FOR EASIER IDENTIFICATION

## REPAIR PARTS

12 HP 38" TRACTOR -- MODEL NUMBER 6D2A9A

### SECTOR GEAR / AXLE SUPPORT



KEY NO.	PART NO.	DESCRIPTION
1	132566	Link, Drag
2	7478002B	Bolt, Hex, Fin 1/2-13 x 1-3/4
5	121926X	Gear, Sector
6	121927X	Bushing
7	73030800	Nut, Heavy, Hex, Top Lock 1/2-13 UNC
8	126472X	Clip, Wire
9	73680800	Nut, Crownlock 1/2-13
10	76020412	Pin, Cotter 1/8 x 3/4
11	19131316	Washer 13/32 x 13/16 x 16 Ga.

KEY NO.	PART NO.	DESCRIPTION
12	126847X	Bushing
13	74760512	Bolt, Hex. 5/16-18 x 3/4
14	19111416	Washer 11/32 x 7/8 x 16 Ga.
15	72110606	Bolt, Carriage 3/8-16 UNC x 3/4
17	137096	Support, Front Axle
20	73800600	Nut, Lock Hex W/Wsh 3/8-16 UNC
21	73800500	Nut, Lock Hex W/Inc 5/16 18

**NOTE:** All component dimensions given in U.S. inches.  
1 inch = 25.4 mm.

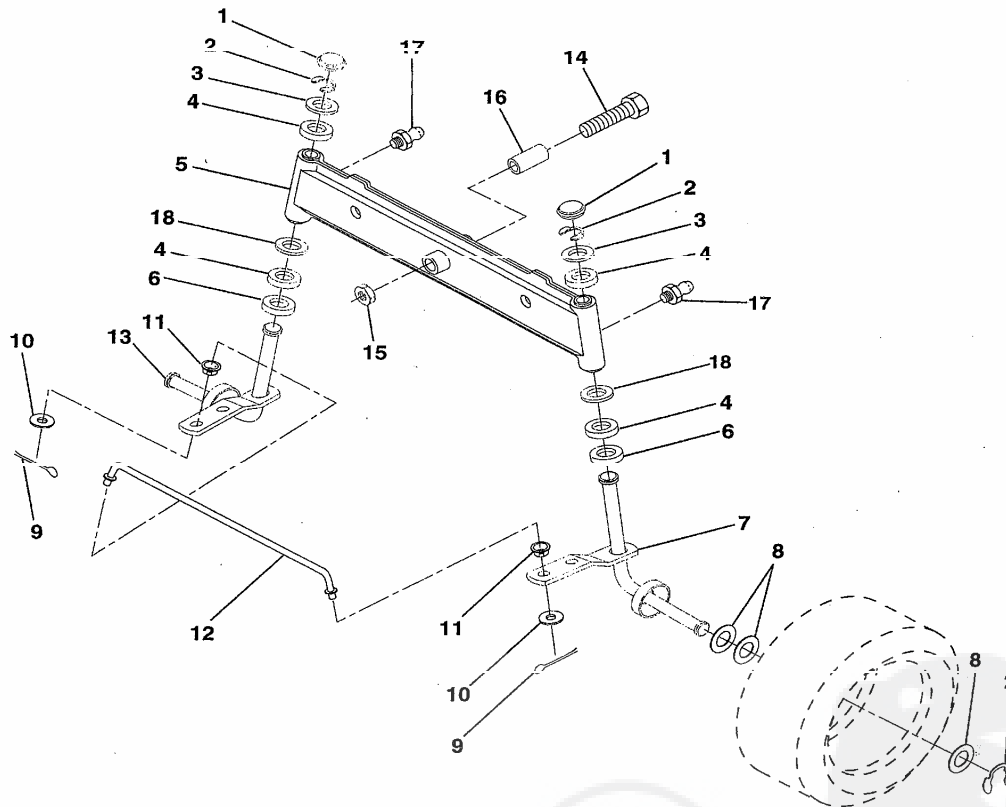
**HARDWARE SHOWN LARGER FOR EASIER IDENTIFICATION**



# REPAIR PARTS

12 HP 38" TRACTOR - - MODEL NUMBER 6D2A9A

## FRONT AXLE



KEY NO.	PART NO.	DESCRIPTION
1	121232X	Cap, Spindle
2	12000029	Ring, Klip
3	121748X	Washer 25/32 x 1-5/8 x 16 Gauge
4	3366R	Bearing
5	142033	Axle, Front
6	6266H	Bearing, Thrust
7	137062	Spindle Assembly, R.H.
8	121749X	Washer 25/32 x 1-1/4 x 16 Gauge
9	76020412	Pin, Cotter 1/8 x 3/4
10	19131316	Washer 13/32 x 13/16 x 16 Gauge

KEY NO.	PART NO.	DESCRIPTION
11	126847X	Bushing
12	130465	Rod, Tie
13	137061	Spindle Assembly, L.H.
14	74011056	Bolt, Hex 5/8-11 x 3-1/2
15	73901000	Nut, Lock Flange 5/8-11
16	110438X	Spacer
17	6855M	Fitting, Grease
18	19272016	Washer 27/32 x 1-1/4 x 16 Ga.

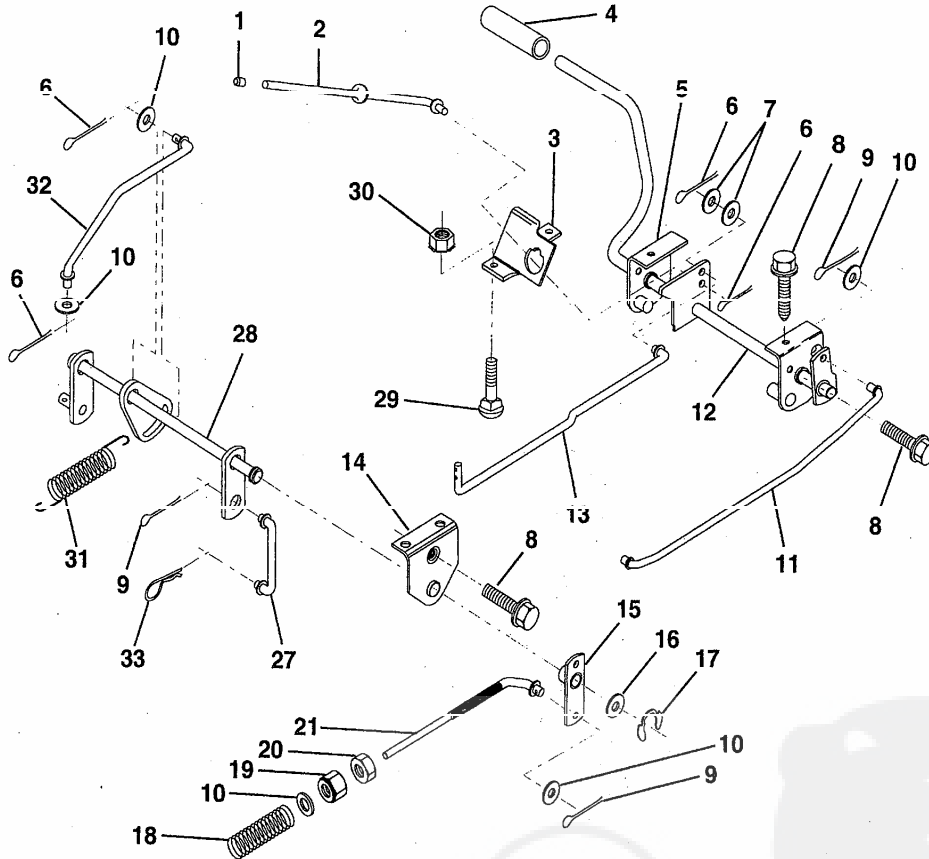
**NOTE:** All component dimensions given in U.S. inches.  
1 inch = 25.4 mm.

HARDWARE SHOWN LARGER FOR EASIER IDENTIFICATION

# REPAIR PARTS

12 HP 38" TRACTOR - - MODEL NUMBER 6D2A9A

## BRAKE / REAR MOWER LIFT ASSEMBLY



KEY NO.	PART NO.	DESCRIPTION
1	71673	Cap, Parking Brake
2	123436X	Rod, Parking Brake
3	123437X	Bracket, Parking Brake
4	8883R	Cover, Pedal
5	132205	Bracket, Pedal, Clutch LH
6	76020312	Pin, Cotter 3/32 x 3/4
7	19131016	Washer 13/32 x 5/8 x 16 Gauge
8	17490508	Screw, Hex, Thd. Roll. 5/16-18 x 1/2
9	76020412	Pin, Cotter 1/8 x 3/4
10	19131316	Washer 13/32 x 13/16 x 16 Gauge
11	123543X	Rod, Front Brake
12	139934	Assembly, Clutch/Brake Pedal
13	123394X	Rod, Clutch

KEY NO.	PART NO.	DESCRIPTION
14	121978X	Bracket, Lift, Shaft
15	133332	Assembly, Brake, Pivot, Arm
16	19251816	Washer 25/32 x 1-1/8 x 16 Gauge
17	12000034	Ring, Klip
18	106888X	Spring, Brake Rod
19	73800600	Nut, Lock Hex W/Wsh 3/8-16
20	73350600	Nut, Hex, Jam 3/8-16 UNC
21	131460	Rod, Rear Brake
27	136780	Link, Lift Rear
28	140777	Assembly, Rear Mower Lift
29	72110506	Bolt, Carriage 5/16-18 UNC x 3/4
30	73510500	Nut, Keps 5/16-18 UNC
31	133095	Spring Counter Balance
32	133721	Link Lever Lift
33	4939M	Retainer Spring

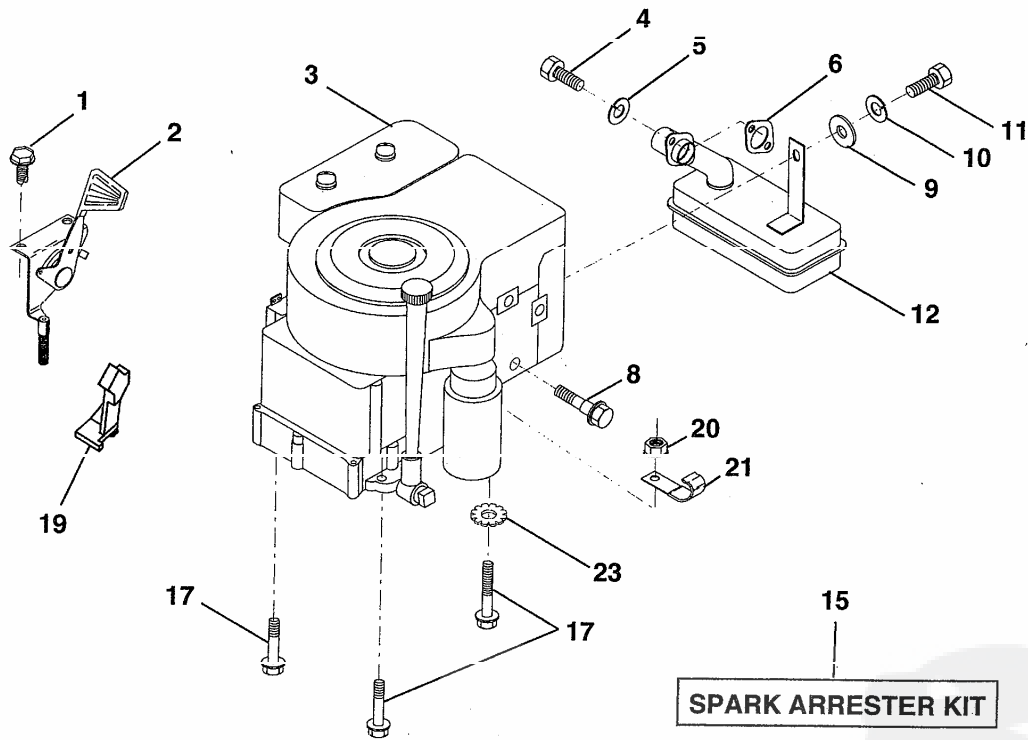
NOTE: All component dimensions given in U.S. inches.  
1 inch = 25.4 mm.

HARDWARE SHOWN LARGER FOR EASIER IDENTIFICATION

# REPAIR PARTS

12 HP 38" TRACTOR - - MODEL NUMBER 6D2A9A

ENGINE / THROTTLE



KEY NO.	PART NO.	DESCRIPTION	KEY NO.	PART NO.	DESCRIPTION
1	17060408	Screw, Hex, Thread Cutting 1/4-20 x 1/2	10	10040400	Washer, Lock, Heavy Helical Spring 1/4
2	133025	Control, Throttle	11	-----	Bolt, Hex, Fin 1/4-20 x 3/4 (Order from Eng. Mfg.)
3	-----	Engine, B&S, 12 HP, model #282707	12	137437	Muffler
4	71070512	Screw, Hex Hd	15	137180	Kit, Spark Arrester (Optional)
5	10040500	Washer, Lock, Heavy Helical Spring 5/16	17	17490624	Screw, Hex Washer Head, Thd. Roll. 3/8-10 x 1-1/2
6	125593X	Gasket, Exhaust	19	127951	Stop, Choke
8	121094X	Bolt, Shoulder 5/16 UNC	20	73510600	Nut, Keps Hex 3/8-16
9	19101216	Washer 5/16 x 3/4 x 16 Gauge	21	2751R	Clip, Fuel Line
			23	11050600	Washer Lock Ext. Tooth 3/8

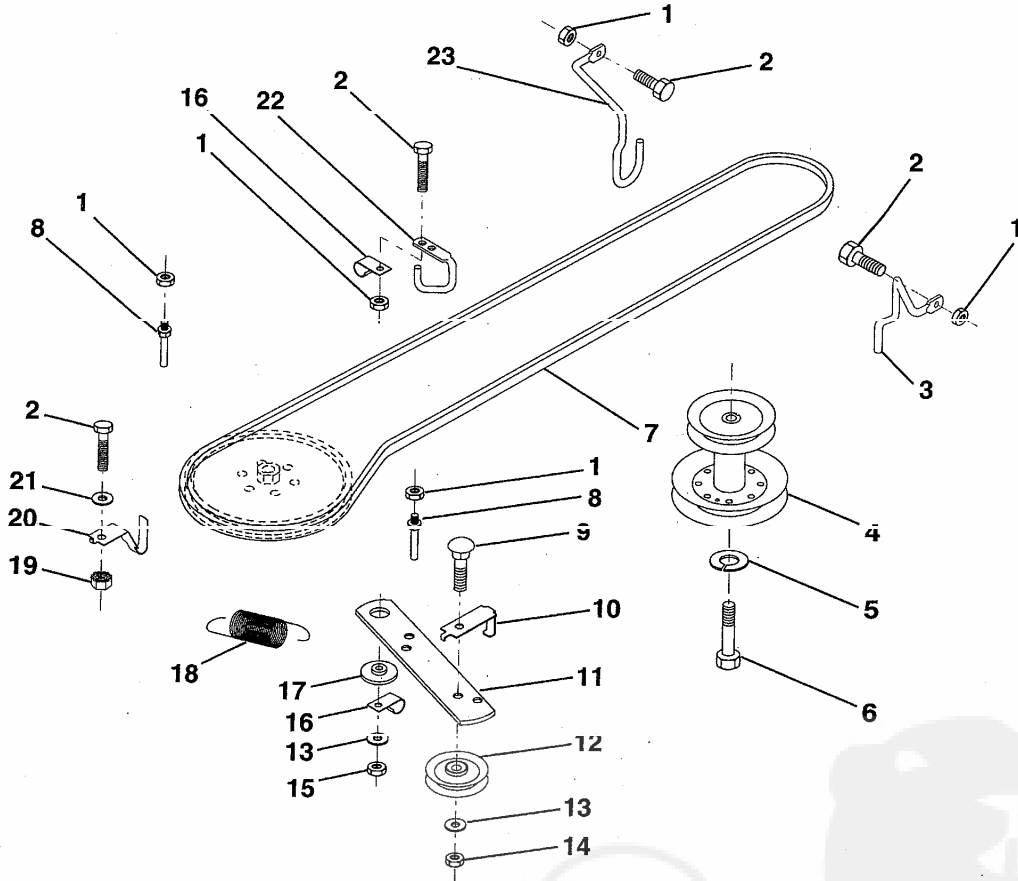
**NOTE:** All component dimensions given in U.S. inches.  
1 inch = 25.4 mm

**HARDWARE SHOWN LARGER FOR EASIER IDENTIFICATION**

# REPAIR PARTS

12 HP 38" TRACTOR - - MODEL NUMBER 6D2A9A

## GROUND DRIVE



KEY NO.	PART NO.	DESCRIPTION
1	73800500	Nut, Lock Hex W/Ins 5/16-18
2	74760512	Bolt, Hex 5/16-18 UNC x 3/4
3	141341	Keeper, Mower Drive Belt, Engine, R.H.
4	138029	Pulley, Engine
5	10040700	Washer, Lock, Heavy Helical Spring 7/16
6	71170744	Bolt, Hex, 7/16-20 x 2-3/4 Grade 5
7	124525X	Traction, V-Belt Drive
8	123405X	Keeper, T/A Ground Drive Belt
9	72140612	Bolt, Carriage 3/8-16 UNC x 1-1/2
10	123396X	Keeper, Ground Drive Belt, Idler
11	140911	Arm, Ground Drive Clutch
12	123674X	Idler, Flat
13	19131316	Washer 13/32 x 13/16 x 16 Gauge
14	73930600	Nut, Centerlock. 3/8-16 UNC
15	73800600	Nut, Lock-Hex W/Wsh 3/8-16
16	126472X	Clip, Insulated
17	122052X	Spacer, Retainer
18	131459	Spring, Extension
19	73510500	Nut, Keps 5/16-18 UNC
20	139919	Keeper, T/A Ground Drive Bolt
21	19111016	Washer 11/32 x 5/8 x 16 Gauge
22	123404X	Keeper, Ground Drive Belt, Frame
23	142240	Keeper, Mower Drive Belt, L.H.

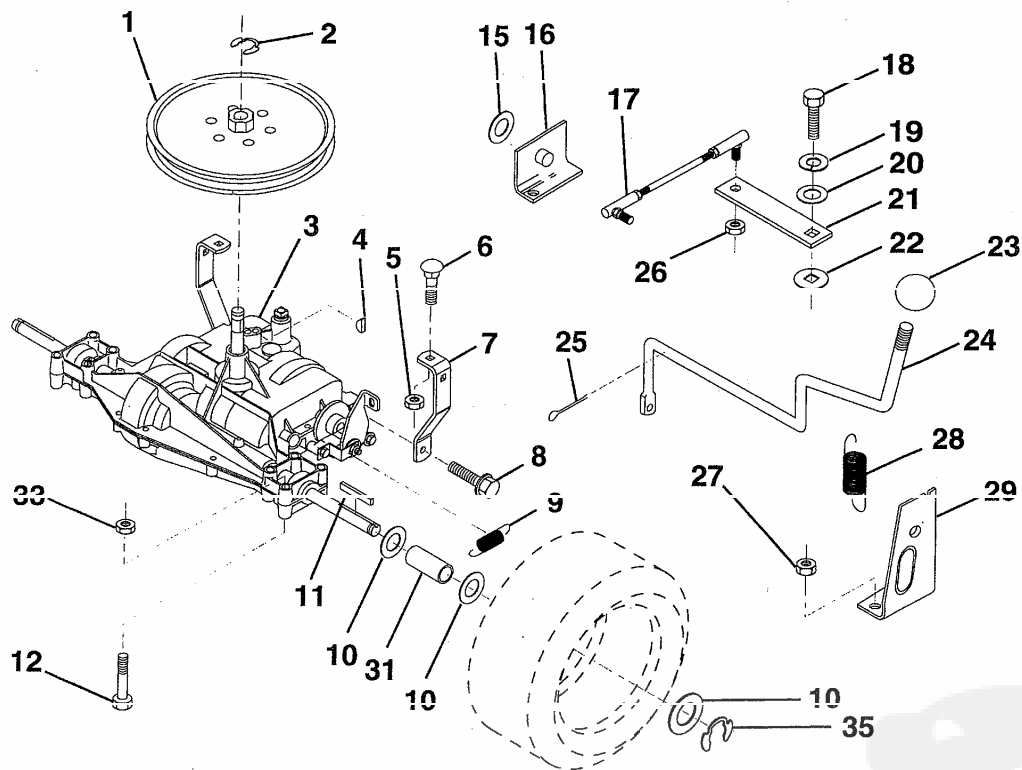
**NOTE:** All component dimensions given in U.S. inches.  
1 inch = 25.4 mm

HARDWARE SHOWN LARGER FOR EASIER IDENTIFICATION

# REPAIR PARTS

12 HP 38" TRACTOR -- MODEL NUMBER 6D2A9A

## TRANSAXLE



KEY NO.	PART NO.	DESCRIPTION
1	123385X	Pulley
2	12000028	Ring, Retainer
3	142603	Transaxle Model Number 4360-79
4	2228M	Key, Woodruff #9
5	73800500	Nut, Lock Hex 5/16-18
6	72140506	Bolt, Carriage 5/16-18 UNC x 3/4
7	123378X	Strap, Torque
8	17490512	Screw 5/16-18 x 3/4
9	110422X	Spring, Brake
10	121749X	Washer 25/32 x 1-1/4 x 16 Gauge
11	123583X	Key, Square
12	74760644	Bolt Fin Hex 5/16-18 x 2-1/2
15	19171616	Washer 17/32 x 16 Ga.
16	124600X	Support, Handle Shift
17	123632X	Link, Shift
18	71040412	Bolt, Hex, Fin. 1/4-28 UNF x 3/4 Grade 8

KEY NO.	PART NO.	DESCRIPTION
19	10040400	Washer, Lock 1/4
20	19091210	Washer 9/32 x 3/4 x 10 Gauge
21	123539X	Arm, Shift
22	105701X	Washer, Shift Plate
23	121274X	Knob, Deluxe
24	128215	Rod, Shift
25	76020416	Pin, Cotter 1/8 x 1
26	73810500	Nut, Hex, Nylon 5/16-24 UNF
27	73510500	Nut, Keps 5/16-18
28	128085	Spring, Extension
29	128084	Support, Handle, Shift, R.H.
31	109502X	Spacer, Split
33	73800600	Nut, Lock Hex w/Wsh 3/8-16
35	12000001	E-Ring

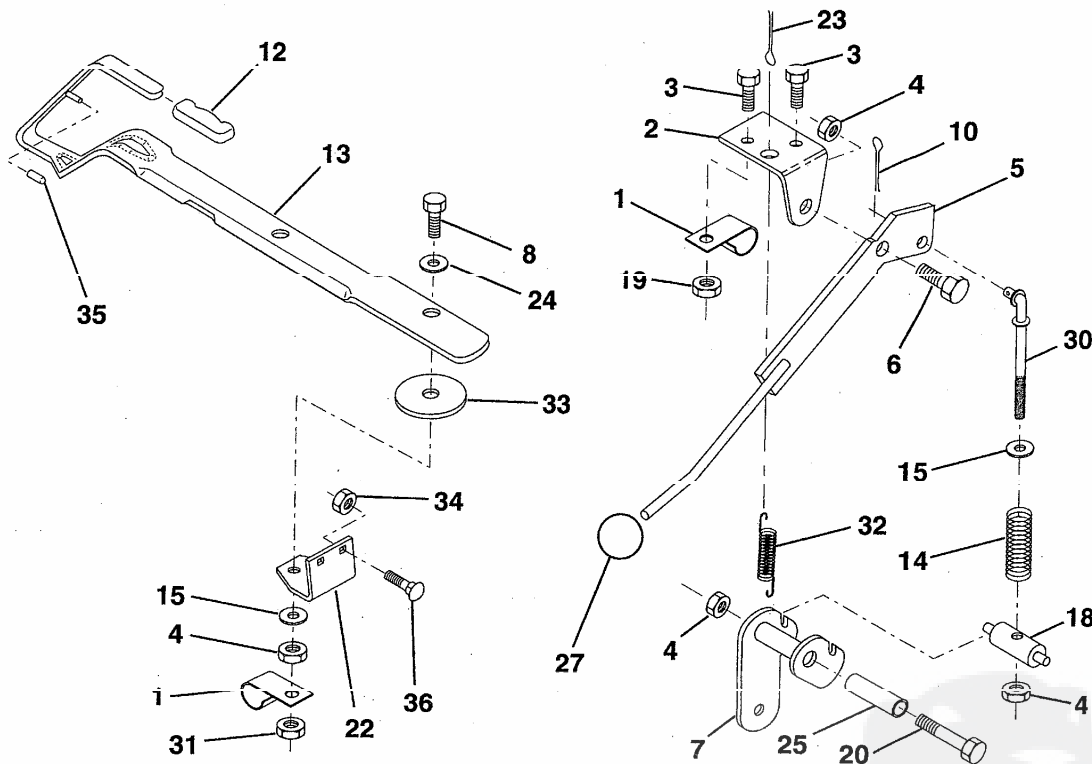
NOTE: All component dimensions given in U.S. inches.  
1 inch = 25.4 mm.

HARDWARE SHOWN LARGER FOR EASIER IDENTIFICATION

# REPAIR PARTS

## 12 HP 38" TRACTOR -- MODEL NUMBER 6D2A9A

### MOWER LIFT LEVER



KEY NO.	PART NO.	DESCRIPTION
1	126470X	Clip, Insulated
2	122018X	Bracket, Mower Clutch
3	74780408	Bolt, Hex, Fin 1/4-20 UNC x 1/2 Grade 5
4	73800600	Nut, Lock Hex W/Wsh 3/8-16
5	132552	Assembly, Clutch Lever
6	106451X	Bolt, Shoulder
7	141435	Assembly, Mower Clutch Arm
8	74930624	Bolt, Hex 3/8-16 x 1-1/2
10	76020412	Pin, Cotter 1/8 x 3/4
12	122027X	Handle, Lift Lever
13	136658	Lever, Lift
14	133939	Spring, Compression, Clutch
15	19131616	Washer 13/32 x 1 x 16 Gauge
18	135107	Trunnion

KEY NO.	PART NO.	DESCRIPTION
19	73680400	Nut, Crownlock 1/4-20
20	74760644	Bolt, Hex, Fin. 3/8-16 UNC x 2-3/4
22	132561	Bracket, Lift Lever
23	76020312	Pin, Cotter 3/32 x 3/4
24	7672J	Washer .17/32 x 1 x 16 Gauge
25	121933X	Tube, Spacer
27	121466X	Knob
30	135039	Rod, Tension, Clutch
31	73930600	Nut, Centerlock 3/8 - 16
32	133435	Spring, Extension, Return
33	62333	Washer
34	73800500	Nut, Crownlock 5/16 - 18
35	133603	Cap, Vinyl, Red
36	72140506	Bolt, Carriage 5/16 - 18 x 3/4

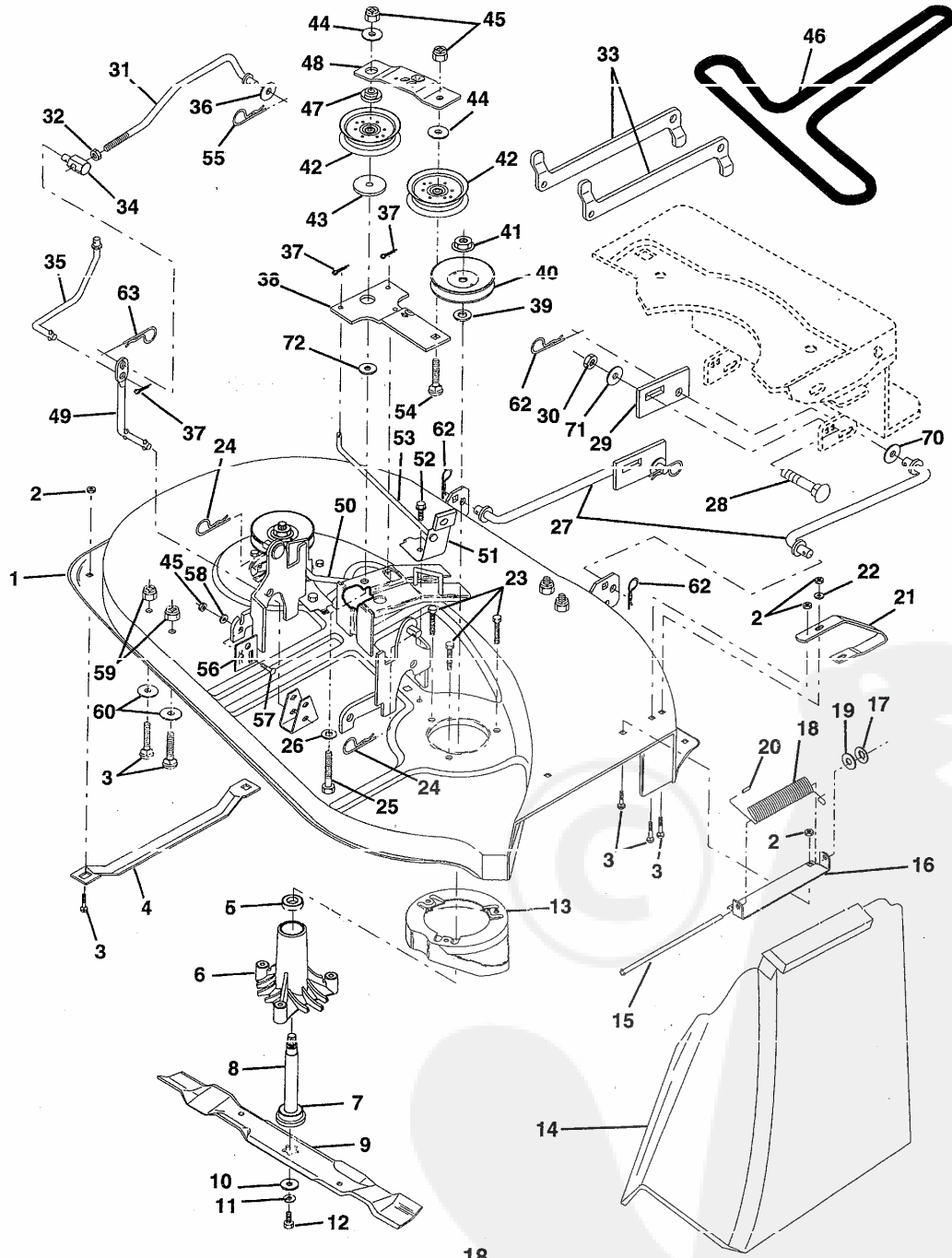
NOTE: All component dimensions given in U.S. inches.  
1 inch = 25.4 mm.

HARDWARE SHOWN LARGER FOR EASIER IDENTIFICATION

# REPAIR PARTS

12 HP 38" TRACTOR - - MODEL NUMBER 6D2A9A

## MOWER DECK



# REPAIR PARTS

## 12 HP 38" TRACTOR - - MODEL NUMBER 6D2A9A

### MOWER DECK

KEY NO.	PART NO.	DESCRIPTION	KEY NO.	PART NO.	DESCRIPTION
1	142830	Mower Deck Assembly	35	132554	Clutch Rod, Secondary
2	73800500	Nut, Lock Hex w/Ins 5/16-18 x 3/4	36	19131316	Washer 13/32 x 13/16 x 16 Gauge
3	72140500	Bolt, Carriage 5/16-16 x 3/4	37	76020312	Pin, Cotter 3/32 x 3/4
4	7631J	Runner, L.H.	38	133840	Idler Arm
5	110485X	Bearing	39	129963	Washer .150 Thick
6	128774	Housing, Mandrel	40	129206	Pulley, Mandrel
7	129895	Bearing	41	137266	Nut, Flangelock 9/16
8	137645	Shaft and Bearing Assembly, Mandrel (Includes Key Number 7)	42	121316X	Pulley, Flat Idler
9	134148	Blade, 38" Mulching	43	122052X	Spacer, Retainer
10	140296	Washer, Hardened	44	19131612	Washer 13/32 x 1 x 12 Gauge
11	10030600	Washer, Lock 3/8	45	73800600	Nut, Lock Hex w/Wsh 3/8-16
12	950957	Bolt, Hex 3/8-24 x 1-1/4 Grade 6	46	126520X	Belt
13	136929	Stripper, Mower, Vented	47	133502	Spacer, Idler Arm
14	106736X	Shield, Deflector	48	133503	Stiffener, Idler Arm
15	106735X	Rod, Hinge	49	133551	Rod, Pivot
16	137607	Bracket Assembly, Deflector	50	131289	Rod, Brake, L.H.
17	110452X	Pushnut	51	130840	Brake Assembly
18	123713X	Spring, Deflector	52	17490512	Screw, Hex Washer Head, Thd., Roll. 5/16-18 x 3/4
19	19111016	Washer 11/32 x 5/8 x 16 Gauge	53	131288	Rod, Brake, R.H.
20	105304X	Cap, Sleeve	54	72110614	Bolt, Carriage 3/8-16 x 1-3/4 Grade 5
21	128772	Runner, R.H.	55	492111	Spring, Retainer
22	19111216	Washer 11/32 x 3/4 x 16 Gauge	56	136782	Plate Adj. Link Rear LH
23	17580520	Bolt 5/16-18 x 1.25	57	72140608	Bolt Rdhd Sqnk 3/8-16 Unc x 1
24	4939M	Retainer, Spring	58	19131212	Washer 13/32 x 3/4 x 12 Ga.
25	74600636	Bolt, Carriage 3/8-16 x 2-1/4	59	73800500	Locknut Hex w/Ins. 5/16-18
26	19131612	Washer 13/32 x 1 x 12 Gauge	60	19111112	Washer 11/32 x 11/16 x 16 Ga.
27	139756	Link Assembly, Front	62	3146R	Retainer Spring
28	72140608	Bolt, Rdhd Sqnk 3/8 - 16 x 1	63	4497H	Spring, Retainer
29	139757	Plate Slide Link	70	19162016	Washer 1/2 x 1-1/4 x 16 Ga.
30	73800600	Nut, Lock Hex w/Washer 1/2-13 UNC	71	19131610	Washer Flat 13/32 x 1 x 10 Ga.
31	140915	Clutch Rod, Primary	72	133943	Washer Hardened
32	73350600	Nut, Hex, Jam 3/8-16	--	142862	Mower Deck, Complete
33	132559	Arm, Suspension, Rear	--	130794	Mandrel Assembly (Includes Key Numbers 5-8, 10-12, 39 and 41)
34	133604	Trunnion 3/8-16			

**NOTE:** All component dimensions given in U.S. inches.  
1 inch = 25.4 mm.

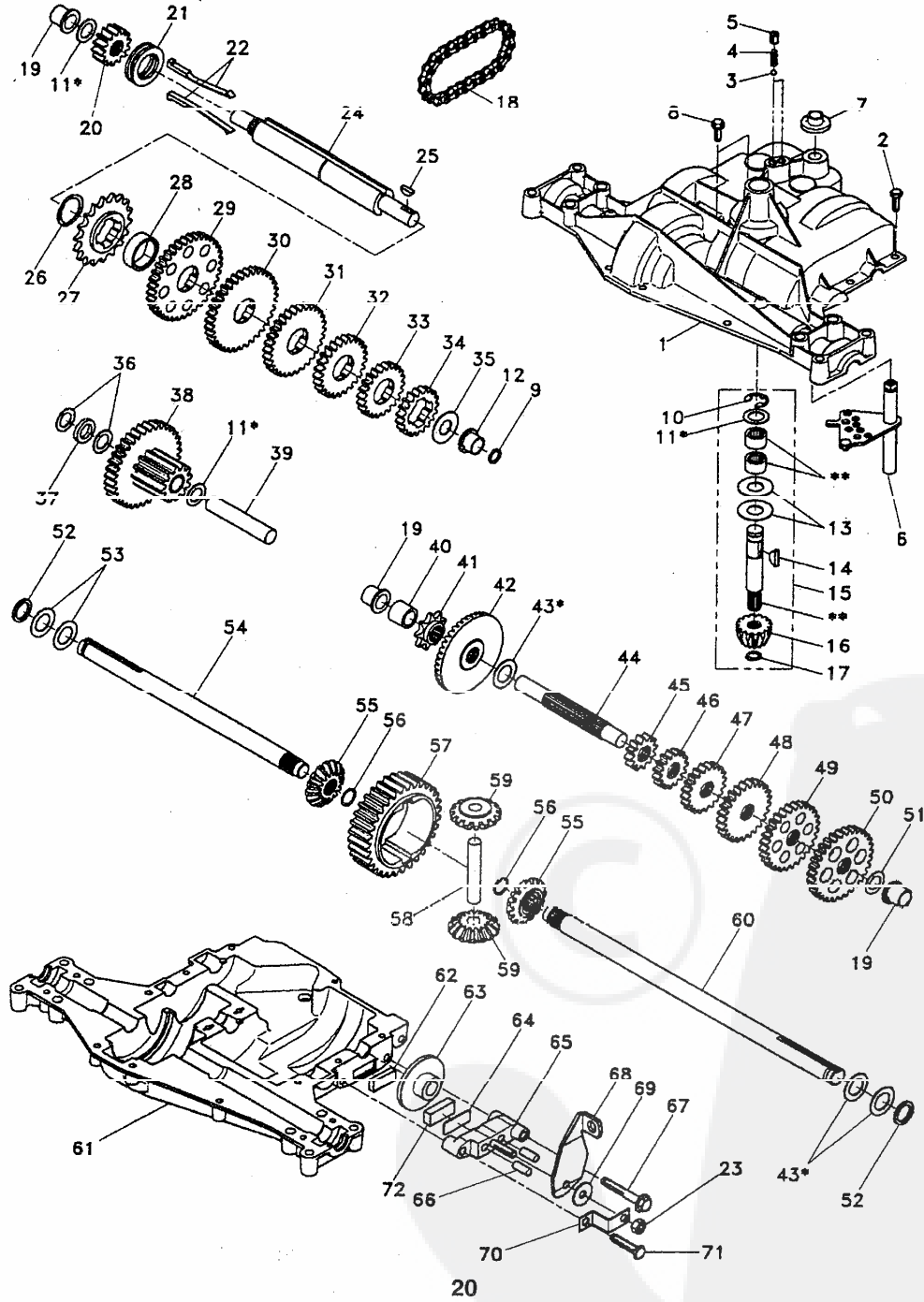
HARDWARE SHOWN LARGER FOR EASIER IDENTIFICATION



# REPAIR PARTS

12 HP 38" TRACTOR -- MODEL NUMBER 6D2A9A

DANA TRANSAXLE - MODEL NUMBER 4360-79



## REPAIR PARTS

### 12 HP 38" TRACTOR - - MODEL NUMBER 6D2A9A

#### DANA TRANSAXLE - MODEL NUMBER 4360-79

KEY PART NO. NO.	DESCRIPTION	KEY PART NO. NO.	DESCRIPTION
1 142671	Housing, Upper	41 105928X	Sprocket, 9 Teeth
2 2274J	Screw, Self-Tapping, Large 1/4-20 x .734	42 110084X	Gear, Bevel, 42 Teeth
3 134400	Ball, Detent	43 134394	* Assembly, Kit, Shim .750 Shaft
4 105904X	Spring, Detent	44 120473X	Shaft, Drive
5 105905X	Screw, Set	45 142678	Gear, Spur, 12 Teeth
6 138235	Kit, Shifter Assembly	46 142679	Gear, Spur, 15 Teeth
7 134399	Boot, Shifter	47 120407X	Gear, Spur, 20 Teeth
8 134791	Screw, Tapping w/Sealer	48 106590X	Gear, Spur, 25 Teeth
9 138241	Square Ring	49 120408X	Gear, Spur, 28 Teeth
10 142672	Ring, Retaining	50 105937X	Gear, Spur, 31 Teeth
11 134793	* Assembly, Kit, Shim .625 Shaft	51 2226J	Washer, Plain .632 x 1.00 x .060
12 142673	Bearing, Flange	52 134401	Washer, Neoprene
13 120415X	Washer, Plain .632 x 1.38 x .046	53 2264J	Washer, Plain .758 x 1.25 x .031
14 142674	Key, Woodruff, #9	54 120474X	Axle, L.H.
15 138234	Assembly, Kit, Input Shaft	55 110081X	Gear, Miter, 15 Teeth
16 110078X	Pinion, Bevel, 14 Teeth	56 105941X	Ring, Retaining
17 105909X	Ring, Retaining	57 110071X	Gear, Spur, 32 Teeth
18 105910X	Chain, 24 Pitches	58 120952X	Shaft, Cross
19 105911X	Bearing, Flange	59 110082X	Gear, Miter, 15 Teeth
20 142675	Gear, Spur, 14 Teeth	60 120475X	Axle, R.H.
21 138246	Collar, Clutch	61 142680	Housing, Lower
22 138236	Assembly, Kit, Clutch Keys	62 120961X	Puck, Friction
23 73810500	Locknut 5/16-24	63 7294J	Disc, Brake
24 142676	Shaft, Intermediate	64 108989X	Spacer
25 2244J	Key, Woodruff, #61	65 120953X	Jaw, Brake
26 105916X	Ring, Retaining	66 120954X	Pin, Dowel
27 120470X	Sprocket, 18 Teeth	67 134799	Screw, Self-Tapping, Large 5/16-18 x 2.25
28 110070X	Spacer	68 138244	Lever, Actuating
29 142677	Gear, Spur, 37 Teeth	69 108996X	Washer, Plain .321 x 1.00 x .055
30 142681	Gear, Spur, 35 Teeth	70 120956X	Bracket, Anti-Rotation
31 120405X	Gear, Spur, 30 Teeth	71 106596X	Screw, Self-Tapping, Large 5/16-18 x 1.44
32 108980X	Gear, Spur, 25 Teeth	72 120951X	Puck, Friction
33 120406X	Gear, Spur, 22 Teeth	73 120416X	Grease
34 134796	Gear, Spur, 19 Teeth		
35 105925X	Washer, Plain .640 x 1.37 x .061		
36 2232J	Washer, Plain .632 x 1.00 x .026		
37 108978X	Spacer .630 x 1.00 x .169		
38 110079X	Assembly, Gear, Combination of 12 Teeth and 35 Teeth		
39 124639X	Shaft, Idler		
40 120472X	Spacer .635 x .875 x .755		

\* Use in combinations to maintain proper clearances

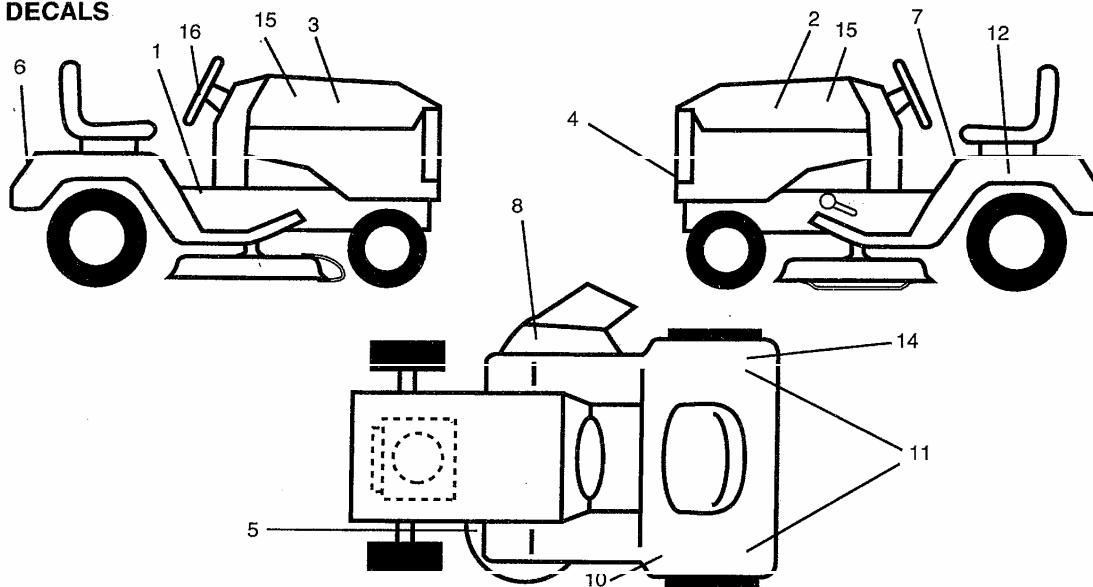
\*\* Order Key No. 15

**NOTE:** All component dimensions given in U.S. inches  
1 inch = 25.4 mm

# REPAIR PARTS

## 12 HP 38" TRACTOR -- MODEL NUMBER 6D2A9A

### DECALS

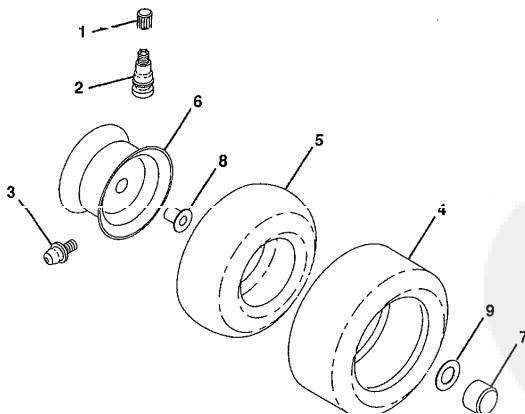


KEY NO.	PART NO.	DESCRIPTION
1	138269	Decal, Inst. Oper. E/F
2	141744	Decal, Stripe, Hood, L.H.
3	141743	Decal, Stripe, Hood, R.H.
4	132627	Decal, Grill
5	136832	Decal, V-Belt Sch.
6	132628	Decal, Fender
7	133795	Decal, Caution
8	137259	Decal, Warning
10	132928	Decal, Indicator Height
11	138804	Decal, Fender Quickshift
12	121549X	Decal, Caution, Battery
14	125690X	Decal 100 DbA

KEY NO.	PART NO.	DESCRIPTION
15	137460	Decal, Hood Insert
16	127075	Decal, Wheel Steering
--	126194X	Decal, Caut. Def. (Eng/Fr/Ger/Dut)
--	126347X	Decal, Warn. Deflect (Span/Ital)
--	126348X	Decal, Inst. Warn. (Span/Ital)
--	138270	Decal, Inst. Warn. (Sw/Nor/Dan/Fin)
--	138269	Decal, Inst. Oper. LR (Eng/Fr)
--	126193X	Decal, Warn. Def. (Sw/Nor/Dan/Fin)
--	138271	Decal, Inst. Warn. (Fr/Ger/Eng/Dut)
--	140227	Manual, Operator's (Eng)
--	141356	Manual, Operator's (Fr)
--	144092	Manual, Repair Parts (Eng/Fr)
--	MP36	Mulcher Kit

Available accessories are not included with your tractor:

### TIRES & WHEELS



KEY NO.	PART NO.	DESCRIPTION
1	59192	Cap, Valve
2	65139	Stem, Valve
3	278H	Fitting, Grease (Front Only)
4	137422	Tire, Front
5	132703	Tire, Rear
	59904	Tube, Tire, Front (Optional, Service Item Only)
	8134H	Tube, Tire, Rear (Optional, Service Item Only)
6	122394X427	Rim Assembly, Front
	140325X427	Rim Assembly, Rear
7	104757X	Cap, Axle
8	9040H	Bearing, Flange (Front Only)
9	121748X	Washer, Axle Cap