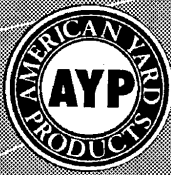


OWNER'S MANUAL

**38 INCH GRASS CATCHER
MODEL NUMBER GC390AE**

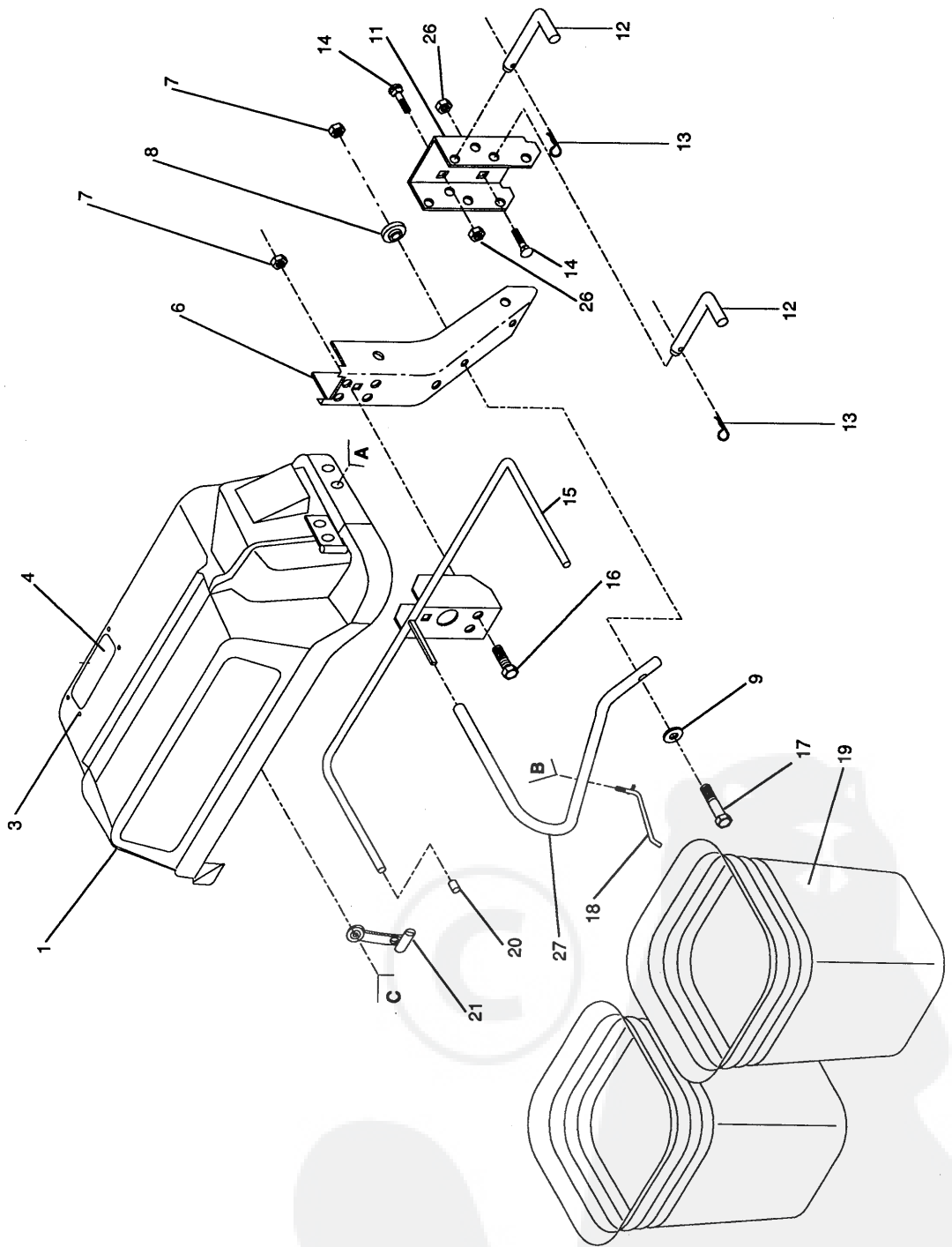
LT 12-81



American Yard Products, Inc.

S.C. HWY. 33, AND OLD CAMERON ROAD
P.O. BOX 1687
ORANGEBURG, SC 29116

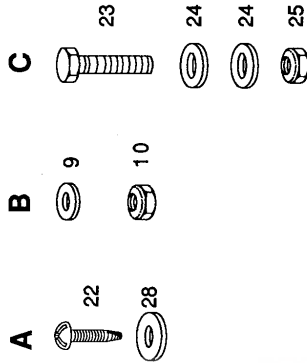
GRASS CATCHER



REPLACEMENT PARTS

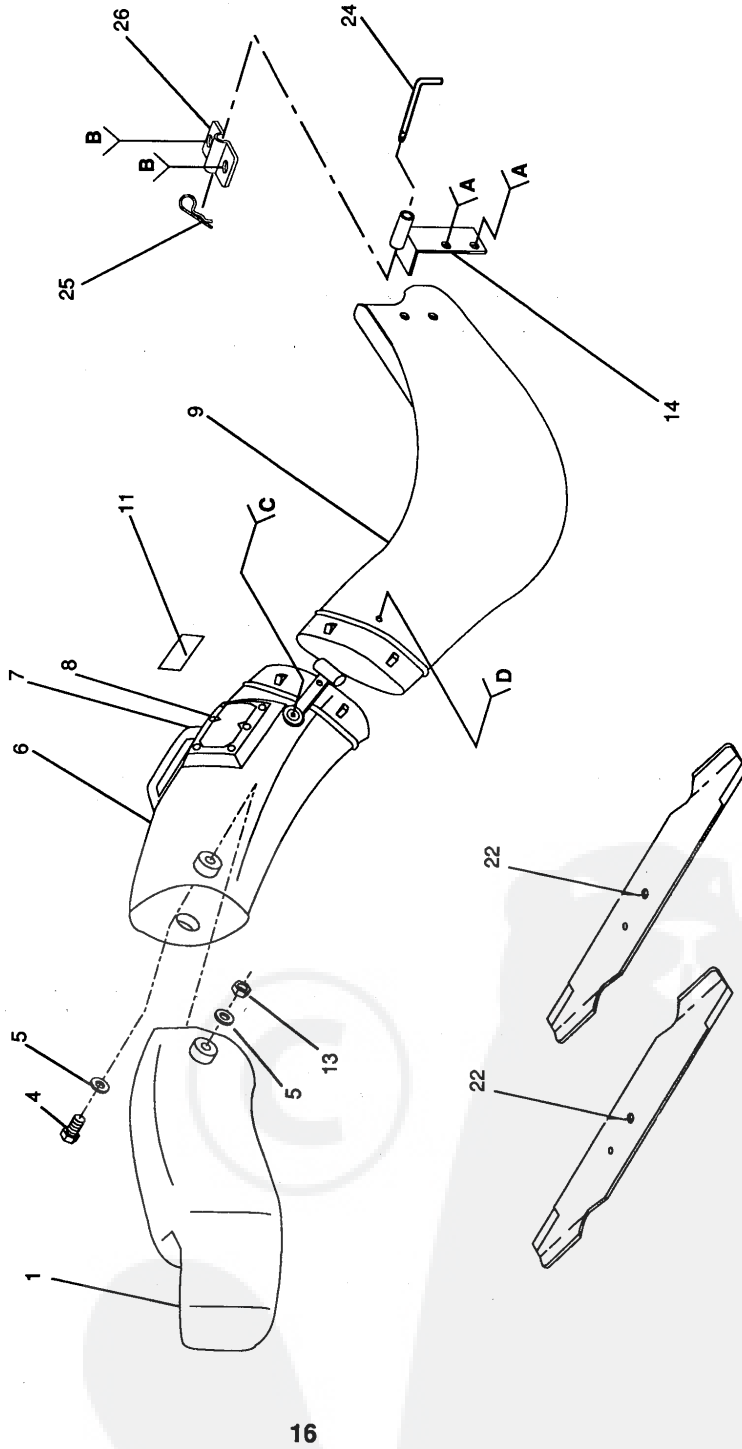
GRASS CATCHER

KEY NO.	PART NO.	DESCRIPTION	KEY NO.	PART NO.	DESCRIPTION
1	124403X	Cover, Grass Catcher (Inc. Key #'s w3,4)	18	123252X	Rod, Latch
3	124124X	Rivet, Plastic	19	123222X	Container, 30 gallon
4	126670X	Window, Cover, Replacement Kit (Inc. Key # 3)	20	123284X	Plug, Tubing end
6	124406X	Post, Support	21	109808X	Latch
7	73680500	Locknut 5/16-18	22	17871008	Screw, Pan Head #10-24 x 1/2
8	124397X	Bushing, Support Post	23	74760412	Bolt, Hex head 1/4-20 x 3/4
9	19111212	Washer 11/32 x 3/4 x 12 Ga.	24	19091016	Washer 9/32 x 5/8 x 16 Ga.
10	73800500	Locknut, Hex, Washer Insert 5/16-18	25	73680400	Locknut 1/4-20
11	125810X	Bracket, Mounting	26	73680600	Locknut 3/8-16
12	124475X	Pin, Support Post	27	124410X	Container, Center Support
13	4939M	Spring, Retainer	28	19061216	Washer 3/16 x 3/4 x 16 Ga.
14	72110606	Bolt, Carr. 3/8-16 x 3/4			
15	124404X	Support, Container Assembly			
16	74760512	Bolt 5/16-18 x 3/4			
17	74760528	Bolt 5/16-18 x 1-3/4			



REPLACEMENT PARTS

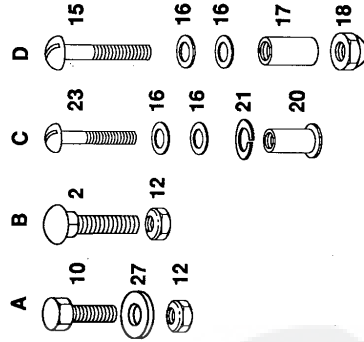
GRASS CATCHER



REPLACEMENT PARTS

GRASS CATCHER

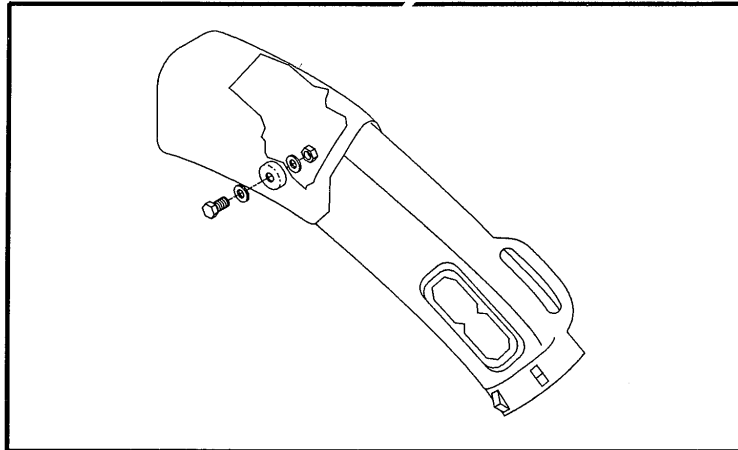
KEY NO.	PART NO.	DESCRIPTION	KEY NO.	PART NO.	DESCRIPTION
1	126943X	Chute, Upper	16	19061216	Washer
2	72140508	Bolt, Carr. 5/16-18 x 1	17	7206J	Spacer
4	74760412	Bolt, Hex head 1/4-20 x 3/4	18	60867	Nut, Acorn 10-24
5	19091216	Washer 9/32 x 3/4 x 16 Ga.	19	109808X	Latch
6	126351X	Chute, Center	20	2029J	Nut Weld
7	126671X	Window, Chute, Replacement Kit (Inc. Key #8)	21	10071000	Washer, Lock #10
8	122933X	Rivet, Plastic	22	121263X	Blade, Mower High Lift
9	126286X	Chute, Lower	23	74291010	Screw 10-24 x 58
10	74780512	Bolt, Hex 5/16-18 x 3/4	24	120097X	Pin, Latch
11	126688X	Decal, Warning	25	4939M	Retainer, Spring
12	73680500	Nut, Crownlock 5/16-18	26	120098X	Bracket, Front Latch
13	73680400	Locknut, 1/4-20	27	19111212	Washer 11/32 x 3/4 x 12 Ga.
14	121770X	Bracket, Chute	---	104419X	Bag, 3.0 mil. 30 gallon Trash
15	87175	Screw, #10-24 x 1-1/8	---	126691X	Owner's Manual (English)
			---	126692X	Owner's Manual (French)



**Assembly
Instructions**

SUPPLEMENT

DISREGARD THE ASSEMBLY ILLUSTRATION IN YOUR MANUAL SHOWING THE UPPER CHUTE MOUNTING HARDWARE. WHEN ASSEMBLING THE UPPER CHUTE TO THE CENTER CHUTE, INSERT HEX BOLT AND FLATWASHER FROM THE OUTSIDE AND ASSEMBLE FLATWASHER AND LOCKNUT TO THE INSIDE AS SHOWN. REPEAT ASSEMBLY FOR OPPOSITE SIDE OF CHUTE AND TIGHTEN SECURELY BOTH ASSEMBLIES.



**Assembly
Instructions**

SUPPLEMENT

THE REAR MOUNTING BRACKET TO DRAWBAR ASSEMBLY MAY REQUIRE DIFFERENT BOLTS FROM WHAT IS SHOWN IN THE ASSEMBLY SECTION OF YOUR OWNER'S MANUAL. ASSEMBLE BOLTS IN DIRECTION SHOWN USING SUPPLIED CARRIAGE BOLT IF FIRST HOLE BOLT ENTERS IS SQUARE, OR SUPPLIED HEX BOLT IF FIRST HOLE BOLT ENTERS IS ROUND.

