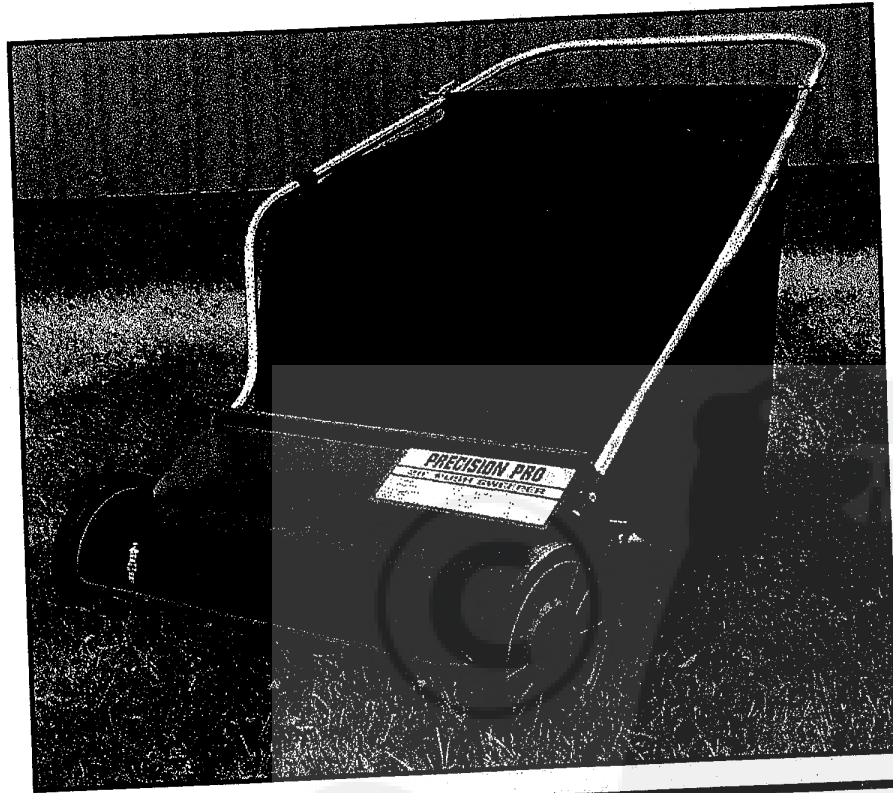


PRECISION PRODUCTS, INC.

Pavement/Leaf/Lawn Sweeper



Owner's Manual and Parts List

26" DELUXE PUSH LAWSWEEPER MODEL SW26PRE

Created 03-2000

-1-

Form No. M1-000

SW 20 P 98

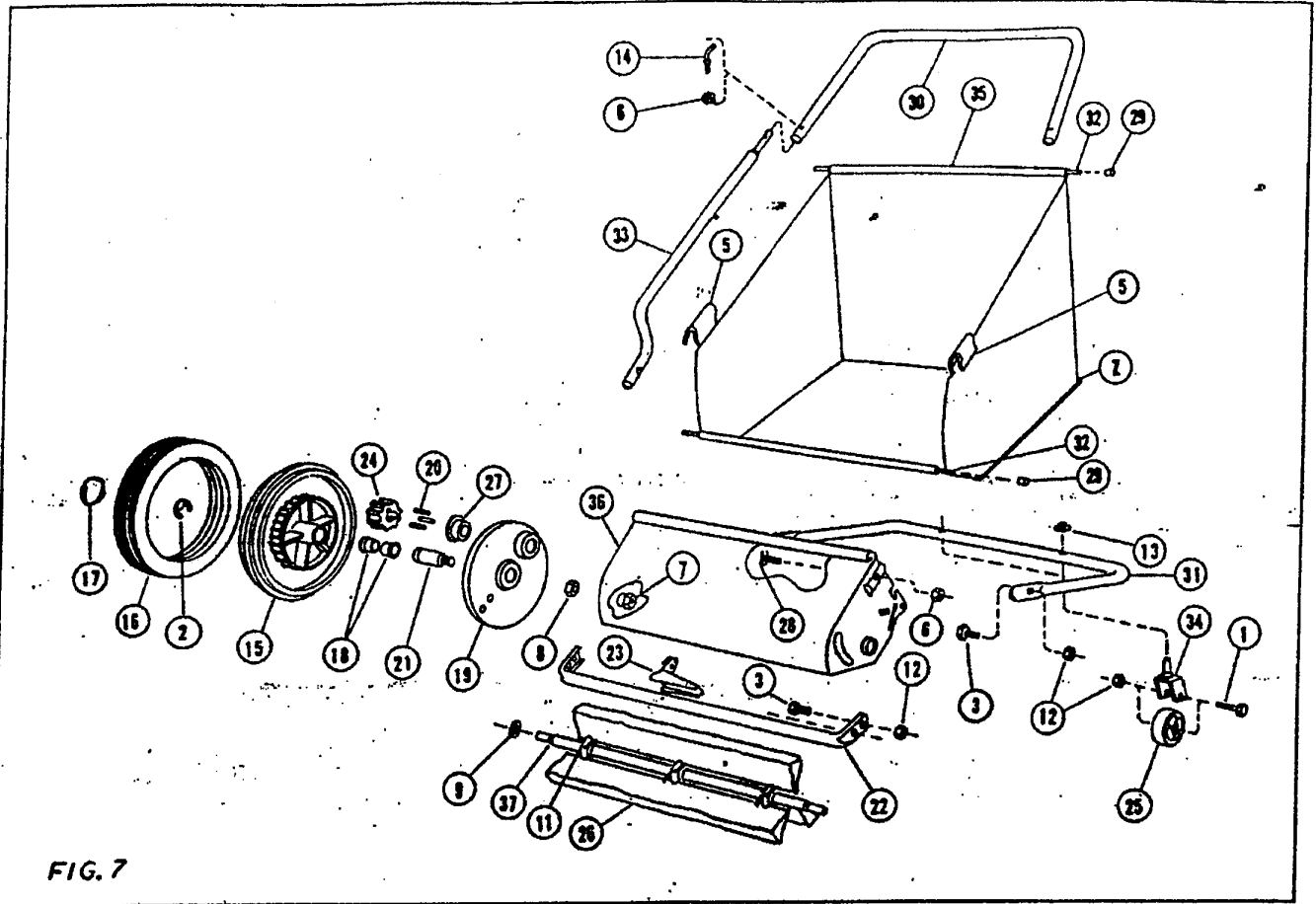


FIG. 7

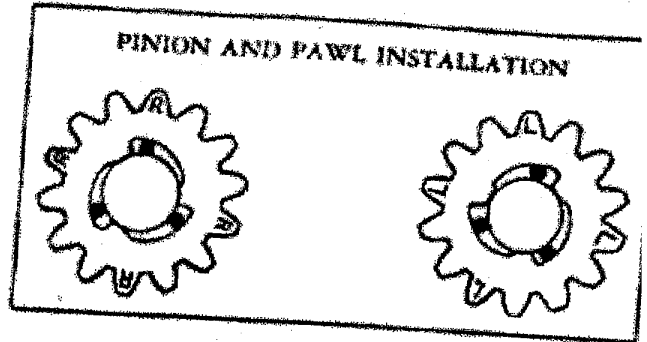
Your Lawnsweeper box contains the following items: 1- Chassis, 1- Steering handle, 2- Side Handles (R.H & L.H.), 1- Parts Kit, (Four bolts and four nuts), 1- Manual, & 1- Hamper assembly.

PARTS LIST

KEY	NUMBER	QTY	DESCRIPTION	KEY	PART NO.	QTY	DESCRIPTION
1	L-127	2	5/16-18 X 1-1/2 HEX HD. CP. SC.	22	L-6102	1	BUMPER TUBE
2	L-262	2	5/8 TYPE "E" RETAINING RING	23	L-6151	1	SPRING ADJUSTMENT
3	L-279	6	5/16-18 X 1/2 HEX HD. SC.	24	L-6157	2	PINION GEAR
6	L-73	4	1/4-20 NUT	25	L-6190B	2	CASTER WHEEL
7	L-5485	2	3/8-24 PILOT NUT	26	I-1060	3	BRUSH STRIP
8	L-5486M	2	3/8-24 LOCK NUT (SPEC.)	27	I-1080	2	FLANGE BEARING
9	X-1041	2	1/2 PUSH ON	28	X-1182	2	1/4-20 X 1-1/4 BOLT
11	X-1043	9	BRUSH HOLDER SPRING	29	I-1287	4	RUBBER CAP
12	X-1107	8	5/16-18 CENTER LOCK NUT	30	I-1354	1	STEERING HANDLE
13	X-1348	2	5/16" PUSH ON CAP	31	I-1336	1	CARRIAGE TUBE
14	X-1360	2	HOOK BOLT	32	I-1344	2	HAMPER ROD
15	L-5464	2	10" PLASTIC WHEEL	33	I-2274	1	SIDE HANDLE TUBE R.H.
16	I-1418	2	TIRE	NI	I-2275	1	SIDE HANDLE TUBE L.H.
17	L-5471B	2	HUB CAP	34	IA-1311	2	CASTER BRACKET ASSEMBLY
18	L-5472	4	WHEEL BUSHING	35	IA-1815	1	HAMPER ASSEMBLY
19	I-2399	2	WHEEL SHIELD	36	IA-2277	1	SHIELD ASSEMBLY
20	L-5480	6	PINION PAWL	37	IA-1346	1	BRUSH AXLE & DISC ASSEMBLY
21	L-5496	2	WHEEL STUD AXLE				

OPERATION

1. **BRUSH HEIGHT ADJUSTMENT.** You can sweep both lawn and paved areas by a simple adjustment of the brush. To raise brush to sweep your lawn, merely squeeze brush control and push down on front of bumper tube. At the same time, with the other hand, pull up on right corner of chassis. To lower brush, just reverse above instructions. See figure 5. Whenever sweeper seems to push hard, merely raise brush one notch higher. For best operation on lawns the brush should merely flick the top of grass blades.
2. **DUMPING SWEEPER.** Release hamper hanger from side hamper tubes. Then, lift front hamper rod up and to rear of sweeper. Now, remove rear hamper rod from hooks (14) and lift hamper from sweeper. If dumping location is far from sweeping area, it may be desirable to pile several hamper loads of debris on a tarpaulin for faster removal to dumping location.
3. **STORAGE.** Just fold stand forward under chassis. Hamper will fold itself when sweeper is hung on wall or set in corner against wall for compact winter storage.
4. **NO LUBRICATION REQUIRED.** Brush axle bearings are lubricated and sealed during factory assembly. No other lubrication is necessary. **DO NOT OIL OR GREASE GEARS IN WHEELS.** If oil or grease is applied to these parts the brush will not rotate. Then it is necessary to remove wheel and wipe parts clean.



5. Your lawnsweeper is precision manufactured by experienced craftsmen, using the very finest in tools and materials. Although it is ruggedly constructed, do not subject it to misuse. **CAUTION :DO NOT PUSH SWEEPER TOO CLOSE TO FIRE** – the brushes will burn. **BE SURE TO WIPE OFF YOUR LAWSWEEPER AFTER EACH USE.** Store in a dry place out of direct sunlight. Don't permit the sweeper to stand in the hot sun unless it is in actual use.

You will find many work-saving uses for your lawn- sweeper. Use it in the early spring to give your lawn a good healthful scrubbing. Use it throughout the spring and summer both before and after mowing. Sweeping before mowing stands up the grass for a clean, even mowing – and protects your mower from sticks, stones, or nuts which might damage the blades of your mower. After mowing, your lawnsweeper will whisk away unsightly grass clip- pings – leaving your lawn velvety smooth.

**PLEASE DO NOT RETURN THIS MERCHANDISE TO THE STORE.
CALL US AND WE WILL TAKE CARE OF ANY PROBLEMS YOU MIGHT HAVE WITH THIS PRODUCT.**

HOW TO ORDER PARTS:

When ordering parts, always give model #, part #, part description, and inspector #.

SENT TO: SERVICE DEPARTMENT
316 LIMIT STREET
LINCOLN, IL 62656
OR CALL: 800-225-5891
OR FAX: 217-735-2435

GUARANTEE

The merchandise you have purchased from us has been carefully engineered and manufactured under PRECISION PRODUCTS'S INC. rigid quality standards and should give you satisfactory dependable operation. However, like all mechanical merchandise, it may occasionally require adjustment or maintenance.