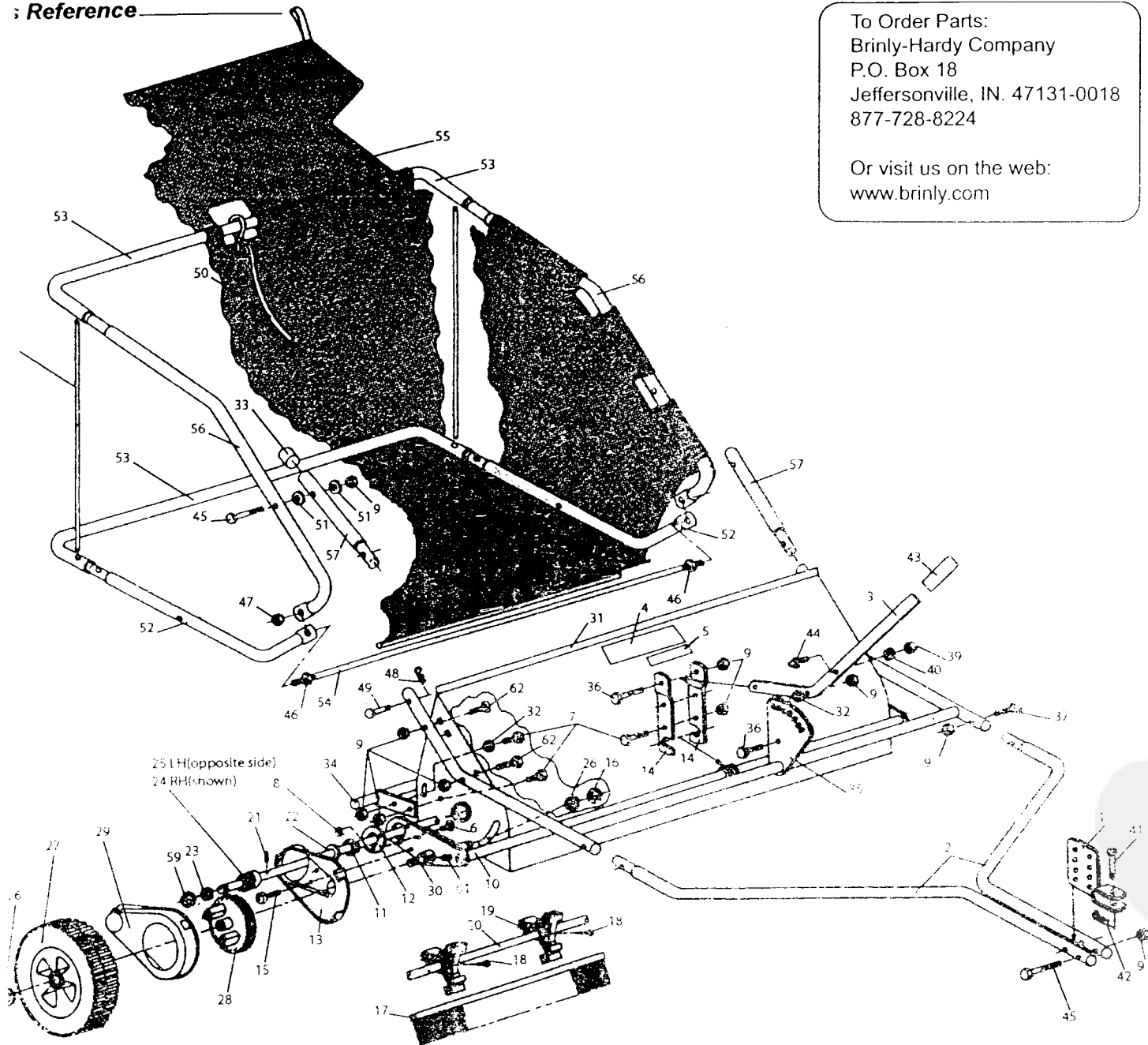


Reference



To Order Parts:
Brinly-Hardy Company
P.O. Box 18
Jeffersonville, IN. 47131-0018
877-728-8224

Or visit us on the web:
www.brinly.com

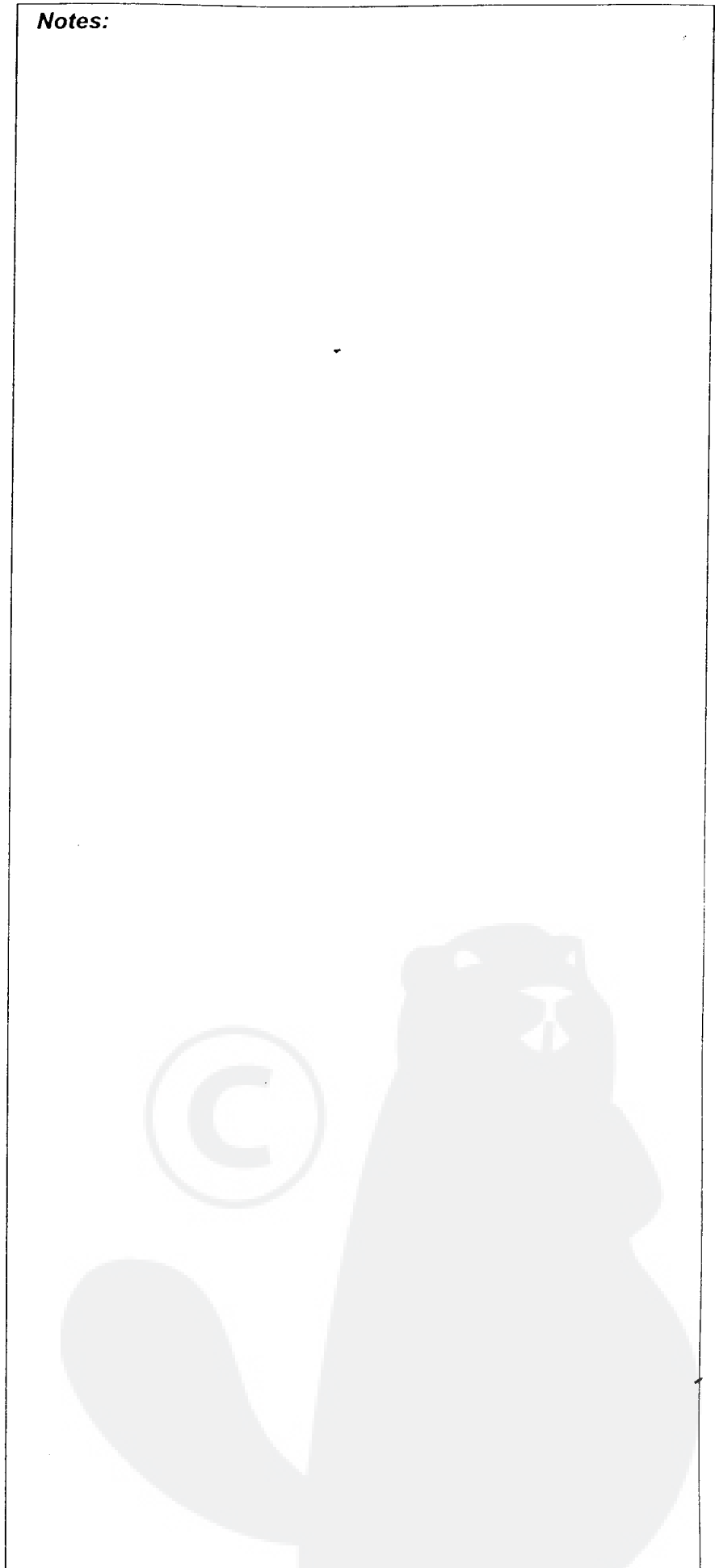


Parts List

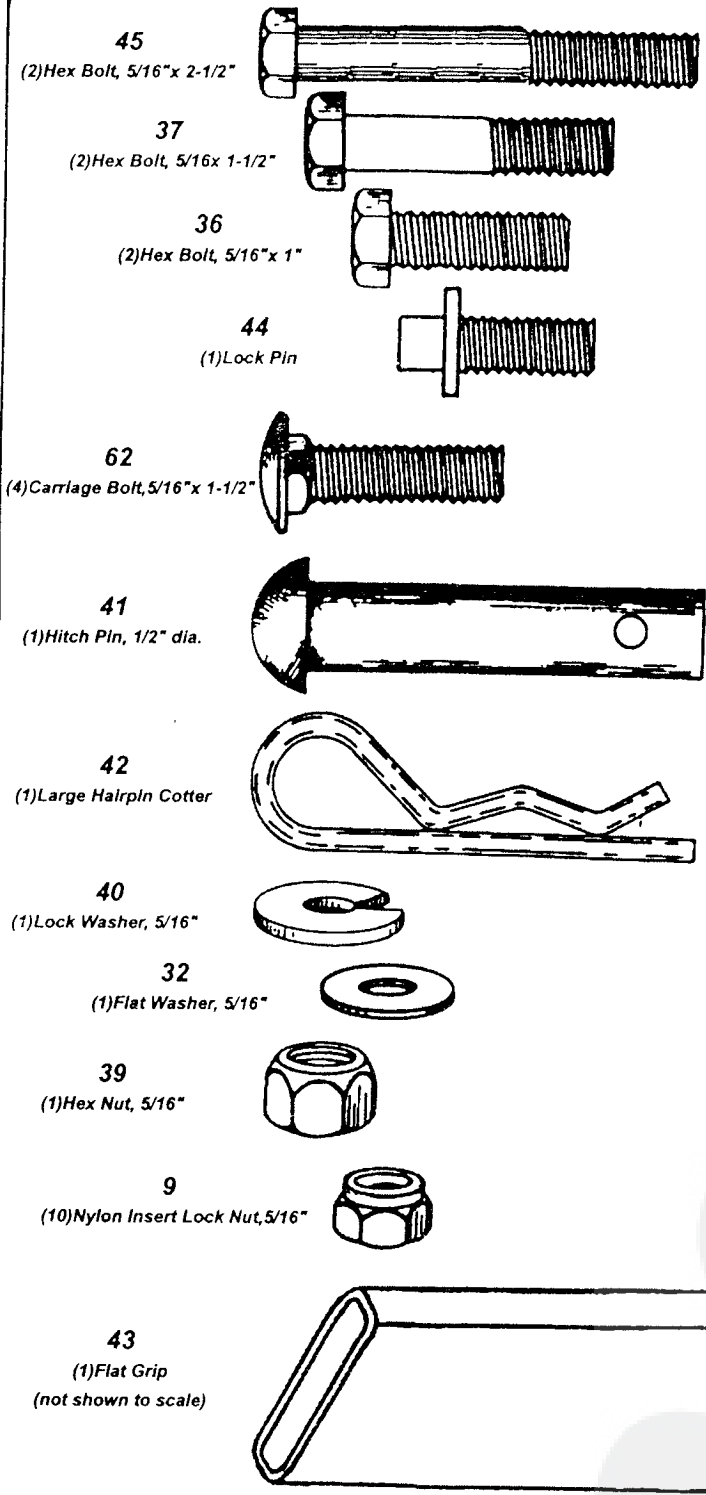
PART NO.	DESCRIPTION	QTY.
R-2251-10	Hitch Clevis Assembly	1
R-2254-10	Tow Tube	2
R-2270-10	Lift Handle	1
B-5924	Logo Decal	1
R-1946	Instructions Decal	1
11M0808P	Carriage Bolt, 1/4" x 1/2"	6
2M1012P	Hex Bolt, 5/16" x 3/4"	6
B-1673P	Hex Lock Nut, 1/4"	6
B-4786	Nylon Insert Lock Nut, 5/16"	12
R-2255-10	Lower Pivot Assembly	1
R-2288	Bearing Assembly	2
R-2289-10	Bearing Retainer	2
R-2293-1	Inner Dust Shield	2
R-2294-10	Lift Link	2
R-2321	Self-Taping Screw #12x3/8"	4
F-577	"E" Ring, 5/8"	4
R-2205	Brush Section	6
R-2260	Thread Form Screw, #12	4
R-2281	Brush Holder	4
R-2259-01	Brush Axle	1
R-2261	Dowel Pin, 1/4" x 1"	2
R-2262	Washer, 5/8" I.D. x 1-3/8"	2
R-2263	Washer, 5/8" I.D. x 7/8"	2
R-2279-LH	Drive Pinion, Left Hand	1
R-2279-RH	Drive Pinion, Right Hand	1
B-5456	5/8" Machinery Bushing	4
R-2265-BT	Wheel, 12" x 3" Bar Trd.	2
R-2280	Drive Gear, 60 Tooth	2
R-2293-2	Outer Gear Cover	2
R-2306-01	Wheel Axle	2
R-2273-10	Brush Housing Assembly	1
45M1111P	5/16" Flat Washer	3
B-4107	Vinyl Cap, 1" dia.	2
R-2296-10	Hamper Stop Assembly	1
R-2290-10	Upper Frame Assembly	1
2M1016P	Hex Bolt, 5/16" x 1"	2
2M1024P	Hex Bolt, 5/16" x 1-1/2"	2
30M1000P	Hex Nut, 5/16"	1
40M1000P	Lock Washer, 5/16"	1
B-3861	Hitch Pin, 1/2" dia.	1
D-146P	Hairpin Cotter, Large	1
R-1882	Flat Grip	1
R-1945	Lock Pin	1
2M1040P	Hex Bolt, 5/16" x 2-1/2"	4
30M2000P	Hex Nut, 3/8"	2
B-1675P	Lock Nut, 3/8"	2
B-983	Hairpin Cotter, Small	2
R-2303	Clevis Pin, 5/16" x 1-3/8"	2
R-2304	Hamper Pull Rope	1
R-618	Special Washer, 5/16"	4
R-1806-10	Lower Tube	2
R-2194-10	Rear Tube	2
R-2195	Hamper Stop Rod	1
R-2299	Hamper/Wind Screen	1
R-2300-10	Hamper Side Tube, Upper	2
R-2301-10	Hamper Mount Tube	2
R-2307	Hamper Spring Rod	2
R-2320	External Retaining Ring, 5/8"	2
R-2257	Set Screw, 1/4"	2
11M1024P	Carriage Bolt, 5/16" x 1-1/2"	4

Hardware Bag "A"
 Hardware Bag "B"
 Hardware Bags

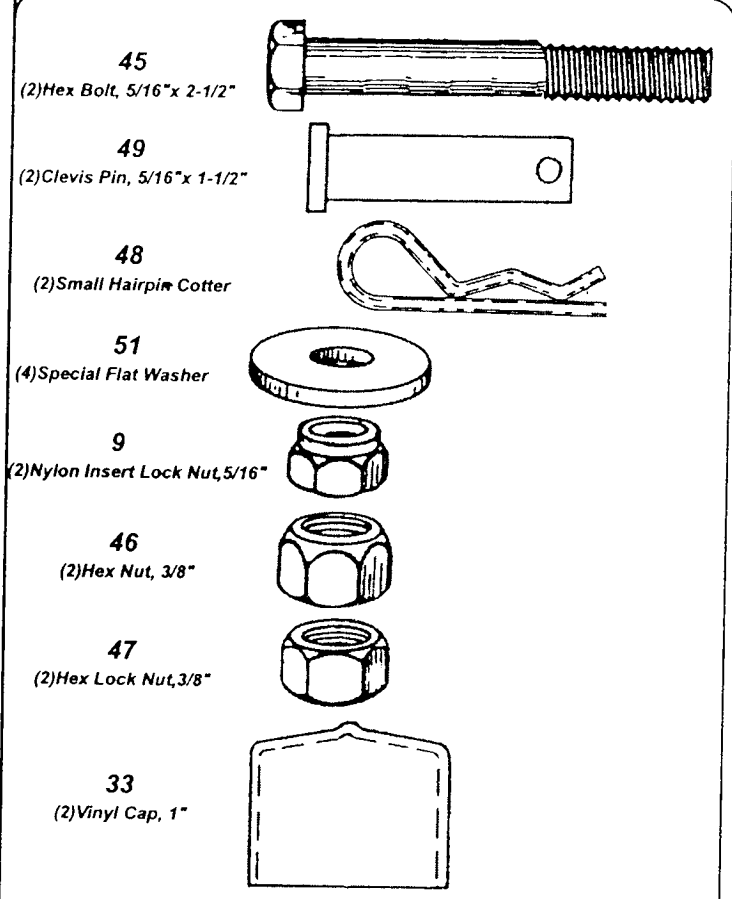
Notes:



Hardware Bag "A" (Part No. Z1689)



Hardware Bag "B" (Part No. Z1691)



Tools Required for Assembly:
1/2" wrench (2)
9/16" wrench (2)
Pliers