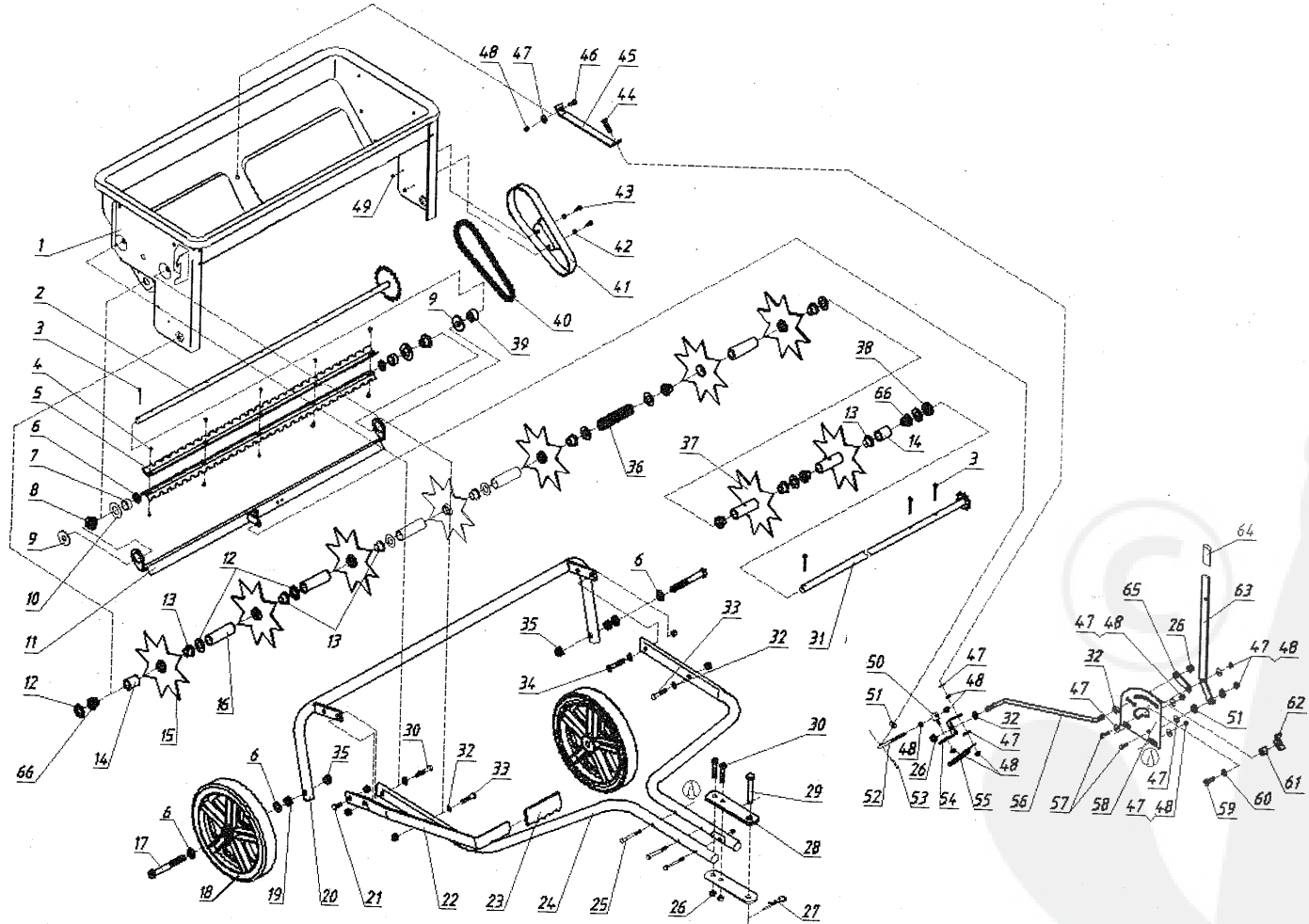


SP31509



	Réf. N°	Description	Qty		Réf. N°	Description	Qty
1	SP31509-1	Hopper & Side Plat Assy.	1	34	SP31509-34	Hex Bolt M8 x 40	1
2	SP31509-2	Axle & Gear Assy.	1	35	SP31509-35	Nylon Lock Nut M12	2
3	SP31509-3	Cotter Pin 4 x 30	4	36	SP31509-36	Spring	1
4	SP31509-4	Screw M5 x 6	10	37	SP31509-37	Fluted Disc & Fixed Spacer Assy.	2
5	SP31509-5	Scratch Board	2	38	SP31509-38	Small Sprocket Wheel Spacer	1
6	SP31509-6	Flat Washer diam.12	6	39	SP31509-39	Big Sprocket Wheel Spacer	1
7	SP31509-7	Scratch Board Support Spacer	2	40	SP31509-40	Bushing Chain	1
8	SP31509-8	Scratch Board Axle Spacer	2	41	SP31509-41	Bushing Chain Cover	1
9	SP31509-9	Big Flat Washer diam. 12	2	42	SP31509-42	Flat Washer Diam. 4	2
10	SP31509-10	Flat Washer diam.20	2	43	SP31509-43	Screw M4 x 12	2
11	SP31509-11	Rotating Door Assy.	1	44	SP31509-44	Hex Bolt M6 x 30	1
12	SP31509-12	Flat Washer diam. 16	10	45	SP31509-45	Support Shelves	1
13	SP31509-13	Axle Spacer	11	46	SP31509-46	Hex Bolt M6 x 16	1
14	SP31509-14	Fluted Disc Spacer (Short)	2	47	SP31509-47	Big Washer diam. 6	9
15	SP31509-15	Fluted Disc	7	48	SP31509-48	Nylon Lock Nut M6	11
16	SP31509-16	Fluted Disc Spacer (Long)	5	49	SP31509-49	Nylon Lock Nut M4	2
17	SP31509-17	Hex Bolt M12 x 90	2	50	SP31509-50	Connecting Bolt	1
18	SP31509-18	Wheel	2	51	SP31509-51	Nylon Washer	2
19	SP31509-19	Hex Nut M12	2	52	SP31509-52	Threaded Pole	1
20	SP31509-20	Wheel Bracket Assy.	1	53	SP31509-53	Cotter Pin diam. 3 x 20	1
21	SP31509-21	Hex Bolt M8 x 20	1	54	SP31509-54	Connecting Plate	1
22	SP31509-22	Operating Handle	1	55	SP31509-55	Spring	1
23	SP31509-23	Handle Grip	1	56	SP31509-56	Adjustable Pole	1
24	SP31509-24	Hitch Tube	2	57	SP31509-57	Hex Bolt M6 x 20	2
25	SP31509-25	Hex Bolt M6 x 65	3	58	SP31509-58	Gauge and Lever Assy.	1
26	SP31509-26	Nylon Lock Nut M8	9	59	SP31509-59	Carriage Bolt M6 x 25	1
27	SP31509-27	R Pin	1	60	SP31509-60	Teeth Washer diam.8	1
28	SP31509-28	Hitch Brackcet	2	61	SP31509-61	Bushing	1
29	SP31509-29	Pin	1	62	SP31509-62	Wing Nut	1
30	SP31509-30	Hex Bolt M8 x 45	3	63	SP31509-63	Adjustable Handle	1
31	SP31509-31	Axle & Small Gear Assy.	1	64	SP31509-64	Handle Grip	1
32	SP31509-32	Flat Washer diam. 8	6	65	SP31509-65	Support Shelves	1
33	SP31509-33	Hex Bolt M8 x 35	2	66	SP31509-66	Hex Bushing	2