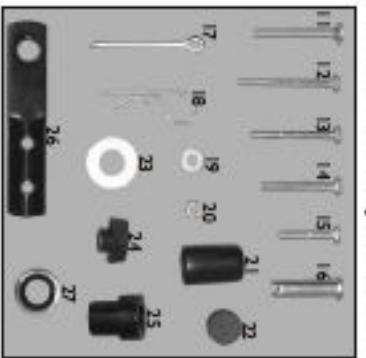
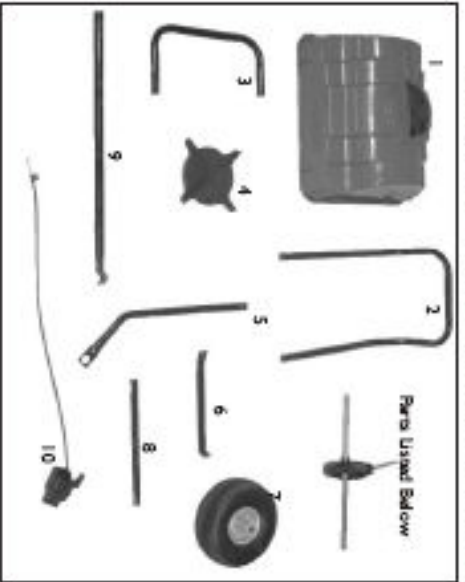
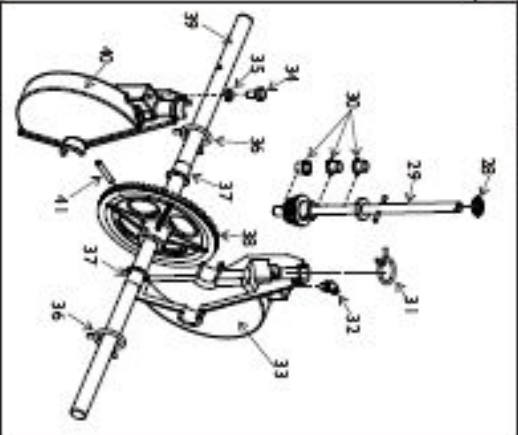


Parts List For TBS4500PRC & TBS4500PRCGY Spreaders



| Parts referenced with ** have two color options. | | | | Gear Case Components | | | |
|--------------------------------------------------|------------------------------------|-----|---------|-----------------------------|-----|---------|------------------|
| Part No | Part Description | Qty | Part No | Part Description | Qty | Part No | Part Description |
| 1 | 2807 Hopper | 1 | 21 | 262 Tilt Cup | 4 | 11 | 116 Shaft |
| 2 | 2906A Wep-Around Support (Black) | 1 | 22 | 803 7/8 Tilt Plug | 2 | 12 | 117 Shaft |
| 3 | 2906A Wep-Around Support (Gray) | 1 | 23 | 846 5/8 Tie Washer | 1 | 13 | 118 Shaft |
| 4 | 2202B Core of CCH + Holder (Black) | 1 | 24 | 200 1/2 Wing Nut | 1 | 14 | 119 Shaft |
| 5 | 2102C Core of CCH + Holder (Gray) | 1 | 25 | 414 5/8 Wheel Bushing | 2 | 15 | 120 Shaft |
| 6 | 2614 Spinner Disc | 2 | 26 | 802B 60/20 Gear Pin (Black) | 2 | 16 | 121 Shaft |
| 7 | 2906B Hopper Support (Black) | 1 | 27 | 212 5/8 Bearing Ring | 1 | 17 | 122 Shaft |
| 8 | 2906C Hopper Support (Gray) | 1 | 28 | 174 3/8 Bearing Ring | 1 | 18 | 123 Shaft |
| 9 | 2304B Support Bracket (Black) | 2 | 29 | 207A Spinner Shaft Assembly | 1 | 19 | 124 Shaft |
| 10 | 2304C Support Bracket (Gray) | 2 | 30 | 2973 3/8 Nylon Bushing | 1 | 20 | 125 Shaft |
| 11 | 2200A Wheel | 1 | 31 | 2970 7/8 Spring Clamp | 1 | 21 | 126 Shaft |
| 12 | 2200B Wheel | 1 | 32 | 2963 1/4 Green Stake | 1 | 22 | 127 Shaft |
| 13 | 2200C Wheel | 1 | 33 | 2976 1/4 Green Stake | 1 | 23 | 128 Shaft |
| 14 | 2420 Core of CCH + Holder (Black) | 1 | 34 | 2964 1/4 Green Stake | 1 | 24 | 129 Shaft |
| 15 | 2420 Core of CCH + Holder (Gray) | 1 | 35 | 2976 1/4 Green Stake | 1 | 25 | 130 Shaft |
| 16 | 1840 1/4 x 3 1/4 Change Bar | 1 | 36 | 2977 1/4 Green Stake | 1 | 26 | 131 Shaft |
| 17 | 2101 1/4 x 3 1/2 Head Bolt | 4 | 37 | 2970 5/8 Nylon Bushing | 2 | 27 | 132 Shaft |
| 18 | 1066 1/4 x 2 1/2 Head Bolt | 2 | 38 | 3025 Drive Gear | 1 | 28 | 133 Shaft |
| 19 | 6129 1/4 x 1 1/2 Head Bolt | 4 | 39 | 3025 Drive Gear | 1 | 29 | 134 Shaft |
| 20 | 1840 1/4 x 3 1/4 Change Bar | 1 | 40 | 2975 Drive Gear | 1 | 30 | 135 Shaft |
| 21 | 1042 1/4 x 2 1/2 Head Bolt | 1 | 41 | 2979 Drive Gear | 1 | 31 | 136 Shaft |
| 22 | 1817 1/4 x 2 1/2 Head Bolt | 1 | 206 | 2979 Drive Gear | 1 | 32 | 137 Shaft |
| 23 | 1558 1/4 Lock Nut | 4 | 206 | 2979 Drive Gear | 1 | 33 | 138 Shaft |

Tip: Many of these hardware parts can be purchased at your local hardware store.



CUSTOMER SUPPORT
 As Precision Products, Inc. delivery quality, value and outstanding service is our goal. However, sometimes parts do become damaged or lost during transport from our facilities to the store. If you have any problems, please do not return this merchandise to the store. Call us and we will take care of any problem you may have with this unit. **Phone: (800) 225-5891 Ext. 204**

HOW TO ORDER Send To: Parts Division
 316 Unit Street
 Lincoln, IL 62556

REPLACEMENT PARTS:
 When ordering parts always
 give model number, part
 number and part description.

Phone (800) 225-5891
 (217) 735-1590 Ext. 204
 FAX (217) 735-2495
 www.precisionprodinc.com

TBS4500PRC & TBS4500PRCGY Trail Behind Broadcast Spreader Assembly Instructions & Parts List



MADE IN
 USA

Montage Paket :

- 2 x 1062B
- 2 x 1053
- 1 x 2828
- 1 x 1840
- 1 x 1042
- 10 x 1558
- 1 x 1868
- 4 x 6129
- 2 x 1086
- 2 x 2101