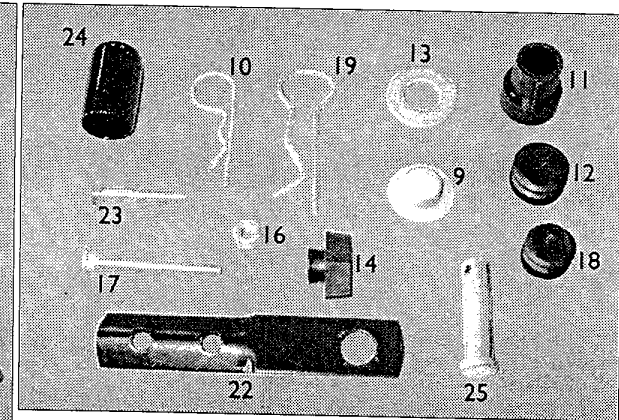
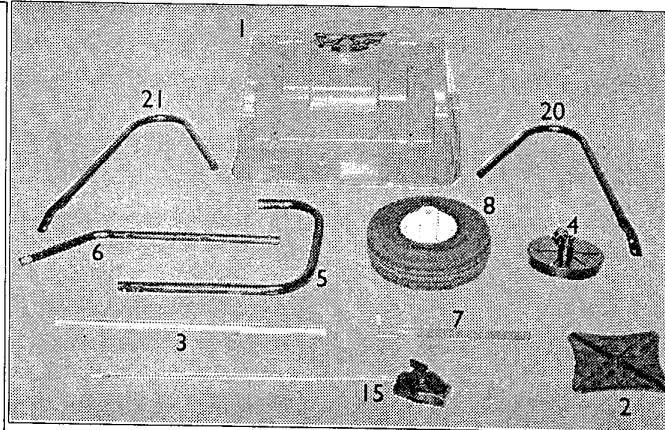
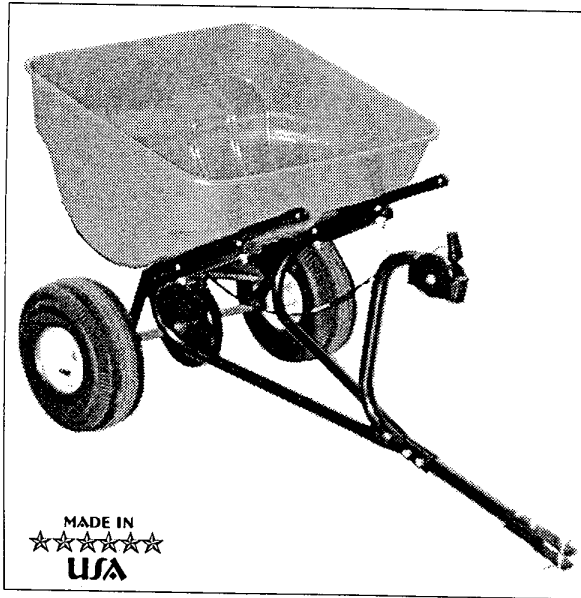




# TBS4500PRD BROADCAST SPREADER

Assembly Instructions &  
Parts List

04/01



**PLEASE DO NOT RETURN THIS  
MERCHANDISE TO THE STORE. CALL  
US AND WE WILL TAKE CARE OF ANY  
PROBLEM YOU MIGHT HAVE WITH THIS  
PRODUCT. Phone (800) 225 - 5891 EXT. #226**

### HOW TO ORDER PARTS

When ordering parts always give model number,  
part number and part description.

**Send To:** Parts Division  
316 Limit Street  
Lincoln, IL 62656

**Phone (217) 735-1590**  
**FAX (217) 735-2435**

### LIMITED WARRANTY

This unit is warranted against defects in materials and workmanship to the original purchaser, under normal use and service, for a period of ninety (90) days from date of sale. During the Warranty Period, we will repair or replace at our option free of charge to the original purchaser, any part of the Unit that our examination shows to be defective in workmanship or materials. This Warranty **Does Not** apply to damage caused by misuse, abuse, neglect, accident, normal wear, or alterations by unauthorized persons.



**PRECISION PRODUCTS, INC.**

| Retain for future reference <b>TIP:</b> Many of these hardware parts can be purchased at your local hardware store. |          |                     |     |        |          |                             |     |
|---|----------|---------------------|-----|--------|----------|-----------------------------|-----|
| Parts List * TBS4500PRD   |          |                     |     |        |          |                             |     |
| Ref No  | Parts No | Description         | Qty | Ref No | Parts No | Description                 | Qty |
| 1   | 2570H    | Hopper              | 1   | 15     | 2438     | Control Cable Assembly      | 1   |
| 2   | 1073     | Spinner Disc        | 1   | 16     | 1270     | 1/4" Hex Head Nut           | 10  |
| 3   | 2571     | Axle 5/8" x 20-1/2" | 1   | 17     | 1868     | 1/4" x 2-1/4" Carriage Bolt | 5   |
| 4   | 2573G    | Gear Case Assembly  | 1   | 18     | 1053     | 7/8" Tube Plug              | 2   |
| 5   | 6225     | Double Bent Tow Bar | 1   | 19     | 5060     | Drive Wheel Clip            | 1   |
| 6   | 2572     | Hopper Support      | 2   | 20     | 2560     | Right Hand Hitch Arm        | 1   |
| 7   | 2562P    | Cross Brace         | 1   | 21     | 2561     | Left Hand Hitch Arm         | 1   |
| 8   | 2410     | Wheel               | 2   | 22     | 1062     | Clevis                      | 2   |
| 9   | 3410     | 5/8" Top Hat        | 1   | 23     | 6129     | 1/4" x 1-1/2" Hex Head Bolt | 6   |
| 10  | 1042     | Hitch Pin Clip      | 3   | 24     | 2582     | Tube Cap 1-1/2" x .843      | 2   |
| 11  | 6214     | 5/8" Bushing        | 2   | 25     | 1840     | Clevis Pin                  | 1   |
| 12  | 3060     | 1" Tube Plug        | 1   |        |          |                             |     |
| 13  | 1646     | 5/8" Flat Washer    | 3   |        |          |                             |     |
| 14  | 2828     | Wing Nut            | 1   |        |          |                             |     |

|                            |      |      |                   |
|----------------------------|------|------|-------------------|
| <b>Non Chemical</b>        |      |      |                   |
| 12 Country Club Fertilizer | 4.5  | 3.5  | 3 lb/1000 sq. ft. |
| 0 Country Club Fertilizer  | 5.25 | 4.25 | 5 lb/1000 sq. ft. |
| country Club Fertilizer    | 5.25 | 4.25 | 5 lb/1000 sq. ft. |
| ion Killer & Weed Control  | 3    | 2    | 2 lb/1000 sq. ft. |
| Greenskeeper               | 5.25 | 4.25 | 5 lb/1000 sq. ft. |
| 0 Greenskeeper             | 5.25 | 4.25 | 5 lb/1000 sq. ft. |

|                               |      |      |                   |
|-------------------------------|------|------|-------------------|
| <b>3r</b>                     |      |      |                   |
| Garden Fertilizer             | 7.5  | 8.5  | 3 lb/1000 sq. ft. |
| Bette-Lawn Fertilizer         | 3.75 | 3.5  | 4 lb/1000 sq. ft. |
| Best Lawn Fertilizer          | 3.5  | 3    | 4 lb/1000 sq. ft. |
| Best Weed & Feed              | 3.5  | 3.25 | 4 lb/1000 sq. ft. |
| Good Weed & Feed              | 3.5  | 3.25 | 4 lb/1000 sq. ft. |
| Good Lawn Fertilizer          | 3.25 | 3.25 | 4 lb/1000 sq. ft. |
| 20 Winter Food & Seed Starter | 3    | 3    | 4 lb/1000 sq. ft. |
| Best Crabgrass Preventer      | 3.25 | 3.5  | 4 lb/1000 sq. ft. |

|                      |     |      |                     |
|----------------------|-----|------|---------------------|
| <b>ards Premier</b>  |     |      |                     |
| ass Preventer 26-2-8 | 1.5 | 3.75 | 3.4 lb/1000 sq. ft. |
| r/Winterizer 19-8-14 | 1.5 | 3.75 | 3.4 lb/1000 sq. ft. |
| Food 30-2-5          | 1.5 | 4.25 | 3.4 lb/1000 sq. ft. |
| & Feed 28-2-8        | 1.5 | 3.75 | 3.4 lb/1000 sq. ft. |
| eed & Feed 18-8-12   | 1.5 | 3.75 | 3.4 lb/1000 sq. ft. |

|                       |     |      |                     |
|-----------------------|-----|------|---------------------|
| <b>ver Green</b>      |     |      |                     |
| eed & Feed 18-5-10    | 1.5 | 3.75 | 3.6 lb/1000 sq. ft. |
| Food 27-3-4           | 1.5 | 4.25 | 3.6 lb/1000 sq. ft. |
| r/Winterizer 18-12-14 | 1.5 | 3.75 | 3.6 lb/1000 sq. ft. |
| ass Preventer 22-3-11 | 1.5 | 3.75 | 3.6 lb/1000 sq. ft. |
| & Feed 26-3-5         | 1.5 | 3.75 | 3.6 lb/1000 sq. ft. |

|               |      |      |                     |
|---------------|------|------|---------------------|
| <b>l</b>      |      |      |                     |
| Food 20-5-10  | 1.75 | 3.75 | 4 lb/1000 sq. ft.   |
| & Feed 10-6-4 | 1.5  | 3.75 | 3.4 lb/1000 sq. ft. |

|               |     |      |                    |
|---------------|-----|------|--------------------|
| <b>yer</b>    |     |      |                    |
| Lawn Restorer | 5.5 | 4.25 | 10 lb/1000 sq. ft. |

|   |      |      |                     |
|---|------|------|---------------------|
| <b>tts</b>                                  |      |      |                     |
| s Turf Builder w/Halts Crabgrass Preventer  | 1.5  | 4.25 | 3 lb/1000 sq. ft.   |
| s Turf Builder w/Plus 2 Weed Control 28-3-3 | 1.5  | 4.25 | 2 lb/1000 sq. ft.   |
| s Turf Builder w/Insect Control 28-4-6      | 1.5  | 4.25 | 3.1 lb/1000 sq. ft. |
| s Turf Builder Lawn Fertilizer 29-3-4       | 1.5  | 4.25 | 3.1 lb/1000 sq. ft. |
| s Winterizer Fall Lawn Fertilizer 22-3-14   | 1.25 | 3    | 3.6 lb/1000 sq. ft. |
| s Winterizer w/Plus 2 Weed Control 22-4-11  | 1.5  | 3    | 3.6 lb/1000 sq. ft. |
| s Bonus S Weed & Feed 29-3-41               | 1.5  | 4.25 | 3.1 lb/1000 sq. ft. |
| s Turf Builder w/Moss Control 16-2-3        | 1.5  | 3.75 | 3.2 lb/1000 sq. ft. |
| s Starter Fertilizer 20-27-5                | 1.5  | 3.75 | 3.6 lb/1000 sq. ft. |
| s Halts Crabgrass Preventer                 | 1.25 | 3.75 | 2 lb/1000 sq. ft.   |
| s Lawn Weed Control                         | 1.25 | 2.75 | 4 lb/1000 sq. ft.   |

|   |      |      |                     |
|---|------|------|---------------------|
| <b>Green</b>                              |      |      |                     |
| Plus Weed Control & Lawn Fert. 28-3-3     | 1.25 | 3.5  | 3.6 lb/1000 sq. ft. |
| /3 month 30-2-4                           | 1.5  | 3.75 | 3.6 lb/1000 sq. ft. |
| a Weed & Feed 24-6-12                     | 1.25 | 3.5  | 3.2 lb/1000 sq. ft. |
| Lawn Fertilizer 15-0-15                   | 1.75 | 4.25 | 4 lb/1000 sq. ft.   |
| Weed & Feed 15-0-14                       | 1.75 | 4.25 | 4 lb/1000 sq. ft.   |
| ex  | 1.5  | 3.75 | 3.6 lb/1000 sq. ft. |
| ex & Lawn Fertilizer 28-3-4               | 1.5  | 3.75 | 3.6 lb/1000 sq. ft. |
| & Insect Control & Lawn Fertilizer 18-3-5 | 1.25 | 3.5  | 3 lb/1000 sq. ft.   |
| Weed Control                              | 2    | 3.75 | 2 lb/1000 sq. ft.   |
| ugustine Weed & Feed 27-3-8               | 1.75 | 4.25 | 4 lb/1000 sq. ft.   |
| mer Green Lawn Food 15-2-3                | 1.5  | 3.75 | 3.6 lb/1000 sq. ft. |
| s Turf Fertilizer 15-5-10                 | 2.75 | 5    | 6.6 lb/1000 sq. ft. |
| ar Conditioner 8/8/25                     | 1.75 | 4.25 | 4 lb/1000 sq. ft.   |
| erizer Weed & Feed                        | 1.5  | 3.75 | 3.6 lb/1000 sq. ft. |

|                                |      |      |                     |
|--------------------------------|------|------|---------------------|
| <b>in</b>                      |      |      |                     |
| ium Dandelion Knock Out        | 3    | 2    | 2 lb/1000 sq. ft.   |
| 3-10 Premium Lawn Starter      | 5    | 4    | 3.6 lb/1000 sq. ft. |
| -8 Premium Crabgrass Control   | 5.25 | 4.25 | 4 lb/1000 sq. ft.   |
| -3 Premium Food & Weed control | 5    | 4    | 3.6 lb/1000 sq. ft. |
| -5 Premium Turf Food           | 5    | 4    | 3.6 lb/1000 sq. ft. |
| ium Winterizer                 | 5    | 4    | 3.6 lb/1000 sq. ft. |

|  |      |      |                     |
|--|------|------|---------------------|
| <b>Vigoro</b>                                    |      |      |                     |
| Vigoro Centipede Weed & Feed 15-015              | 2.5  | 6    | 3.6 lb/1000 sq. ft. |
| Vigoro Crabgrass Preventer 0-0-0                 | 1.25 | 4.75 | 3.6 lb/1000 sq. ft. |
| Vigoro Crabgrass Preventer & Lawn Fertilizer     | 1.25 | 4.75 | 3.6 lb/1000 sq. ft. |
| Vigoro Winterizer Weed & Feed 22-4-11            | 1.25 | 4.75 | 3.6 lb/1000 sq. ft. |
| Vigoro Lawn Fertilizer 29-3-4                    | 1.5  | 5    | 3.6 lb/1000 sq. ft. |
| Vigoro Lawn Fertilizer and Insect Control 28-4-6 | 1.5  | 5    | 3.2 lb/1000 sq. ft. |
| Vigoro Lawn Weed Control (w/o fert.) 0-0-0       | 1    | 3.25 | 4 lb/1000 sq. ft.   |
| Vigoro Texas Turf 15-5-10                        | 2.5  | 8    | 6.6 lb/1000 sq. ft. |
| Vigoro Weed & Feed 28-3-3                        | 1.25 | 4.75 | 3.2 lb/1000 sq. ft. |
| Vigoro Weed & Feed with Atrazine 29-3-5          | 2.5  | 6    | 4 lb/1000 sq. ft.   |
| Vigoro Winterizer 22-4-14                        | 1.5  | 5    | 3.6 lb/1000 sq. ft. |
| Ultra Vigoro Starter Fertilizer 20-28-6          | 1.5  | 5    | 3.6 lb/1000 sq. ft. |
| Ultra Vigoro Lawn Fertilizer 31-2-4              | 1.5  | 3.5  | 3.6 lb/1000 sq. ft. |
| Ultra Vigoro Weed & Feed 31-3-4                  | 1.5  | 3.5  | 3.2 lb/1000 sq. ft. |
| Ultra Vigoro St. Augustine Weed & Feed 30-3-4    | 2.5  | 6    | 4 lb/1000 sq. ft.   |

**For VIGORO Lawn Products (Canada Only)**

| Product         | Vigoro Broadcast Spreader |           | Vigoro Drop Spreader |           |
|-----------------|---------------------------|-----------|----------------------|-----------|
|                 | 1/2 Rate                  | Full Rate | 1/2 Rate             | Full Rate |
| 24-6-6          | 4 1/2                     | 6         | 3/4                  | 1 1/4     |
| 24-6-6 W&F      | 4 1/2                     | 6         | 3/4                  | 1 1/4     |
| Can 21-7-7      | 4 1/2                     | 6         | 3/4                  | 1 1/4     |
| Can 21-7-7 W&F  | 4 1/2                     | 6         | 3/4                  | 1 1/4     |
| Prem 21-7-7     | 4 1/2                     | 6         | 3/4                  | 1 1/4     |
| Prem 21-7-7 W&F | 4 1/2                     | 6         | 3/4                  | 1 1/4     |
| 6-8-16          | 4                         | 5         | 3/4                  | 1 1/4     |
| 6-8-16 W&F      | 4                         | 5         | 3/4                  | 1 1/4     |
| Crabgrass       | 5                         | 7 1/2     | 1 1/2                | 2 1/2     |
| Insect Grub     | 5                         | 7         | 1 1/4                | 2         |
| Cinch           | 4                         | 5         | 1                    | 1 1/2     |
| Summer          | 4                         | 5         | 1                    | 1 1/2     |
| 12-2-12         | 4 1/2                     | 6         | 3/4                  | 1 1/4     |
| 12-2-12 W&F     | 4 1/2                     | 6         | 3/4                  | 1 1/4     |



**Precision Products, Inc.**  
**316 Limit Street**  
**Lincoln, IL 62656**  
**Phone (217)735-1590**  
**FAX (217)735-2435**

\*If you have questions regarding replacement parts, defectives, or warranty information—  
**Call TOLL FREE (800)225-5891**

# ed Devil Spreaders recision Products Application Chart

General Instructions for properly setting your Precision Spreader.

Use the Charts below for most applications by figuring lbs. per 1000 sq. ft.

These numbers are for one pass application, walking quickly.

A two pass application is recommended, using a criss cross pattern.

Use 1/2 of setting number given.

There are too many variables involved with setting any spreader, to perfectly grade the settings. Differences will exist between fertilizers, even if they are the same brand and type.

If you think too much is being applied, cut down your setting. The antidote for too much fertilizer is water.

Close Spreader at the end of each pass, Open again at the start of next pass.

Gravity and motion are the critical forces influencing the Spreader. The faster you walk, the thinner the coverage.

Following Settings Can Be Used To apply Products Not Found In The Application Chart

The Following Settings Can Be Used To apply Products Not Found In The Application Chart

### Fertilizer Setting

Lbs. per 1000 sq. ft. Drop Broadcast

|     |      |      |
|-----|------|------|
| 2.5 | 4.25 | 6    |
| 3   | 4.5  | 6.5  |
| 3.6 | 4.5  | 6.75 |
| 4   | 5.5  | 7    |

### Insecticide Setting

(Diazinon) Drop Broadcast

|   |   |     |
|---|---|-----|
| 2 | 3 | 3.5 |
|---|---|-----|

### Grass Seed Setting

Drop Broadcast

|                                   |           |    |
|-----------------------------------|-----------|----|
| Blue Grass                        | 14        | 8  |
| Bent Grass                        | 14        | 8  |
| Fine Mixture                      | 16        | 10 |
| Coarse Seed (Rye, Fescue Bermuda) | Full Open | 14 |

### Brand

Drop Broadcast Lbs. per 1000 Sq.Ft.

ason, Farmers Seed & Nursery, Howard Johnsons, Atwoods, Gold Kist, Lawn Groom, Man Nursery, Grand Prize, Loveland Lawns, Barzen Seed, Gravinus Nursery, Nursery Green Charm, Quality Farm & Fleet, Coast to Coast, Green Spot, Shur Green, Colonial n, Greenbrier, Super America, Duckwall - Alco, Gurneys, Supreme Brand, Farm and Hardware Hank, Surety

|                            |      |      |                   |
|----------------------------|------|------|-------------------|
| 6 Weed Feed                | 5.25 | 4.25 | 4 lb/1000 sq. ft. |
| 6 Starter Winterizer       | 4.75 | 3.75 | 3 lb/1000 sq. ft. |
| 5 Turf Food                | 5.25 | 4.25 | 4 lb/1000 sq. ft. |
| 1 Crabgrass Preventer Plus | 5.25 | 4.25 | 4 lb/1000 sq. ft. |
| 1 Weed 7 Feed 2/Triamine   | 5.25 | 4.25 | 4 lb/1000 sq. ft. |
| 1 Turf Food                | 5.25 | 4.25 | 4 lb/1000 sq. ft. |

### ay

|  |      |      |                     |
|--|------|------|---------------------|
| Crabgrass Killer w/Tupersan                              | 3    | 2    | 2 lb/1000 sq. ft.   |
| Insect Control w/Diazinon                                | 3    | 2    |                     |
| 10 Grassroots Lawn Fertilizer                            | 6    | 3.5  | 3.3 lb/1000 sq. ft. |
| 1 Grassroots Lawn Fertilizer                             | 5.25 | 3.25 | 3 lb/1000 sq. ft.   |
| 4 Arbor Grow Tree & Shrub Fertilizer                     | 5.5  | 3.75 | 7.2 lb/1000 sq. ft. |
| Turf Food  | 6    | 3.25 | 4 lb/1000 sq. ft.   |
| 10 Crabgrass Preventer Starter Fertilizer                | 5.5  | 3    | 4.6 lb/1000 sq. ft. |
| 11 Turf Starter Fertilizer                               | 6    | 3.5  | 4 lb/1000 sq. ft.   |
| 3 Fall & Winter Lawn Fertilizer                          | 5.25 | 3.25 | 3.8 lb/1000 sq. ft. |
| Insect Control & Lawn Fertilizer                         | 4.5  | 3    | 3 lb/1000 sq. ft.   |
| Crabgrass Preventer & Lawn Fertilizer                    | 4.5  | 2.75 | 3 lb/1000 sq. ft.   |
| Lawn Fertilizer  | 5.75 | 3    | 3.2 lb/1000 sq. ft. |
| Lawn Fertilizer  | 5.75 | 3    | 3 lb/1000 sq. ft.   |
| ing-22-4-9 Crabgrass Starter Lawn Fertilizer             | 4.25 | 2.5  | 3 lb/1000 sq. ft.   |
| ing to Summer-27-4-6 Broadleaf Control & Lawn Fertilizer | 5.25 | 3    | 3.2 lb/1000 sq. ft. |
| number to Fall-29-2-9 Insect Control & Lawn Fertilizer   | 5.25 | 3.25 | 3 lb/1000 sq. ft.   |
| l to Winter-26-2-12 Winterizing Fertilizer               | 5.25 | 3    | 3.6 lb/1000 sq. ft. |

### Brand

Drop Broadcast Lbs. per 1000 Sq.Ft.

### Bandini

|                                   |      |      |                     |
|-----------------------------------|------|------|---------------------|
| Fall & Winter 21-6-12             | 1.75 | 4.25 | 4 lb/1000 sq. ft.   |
| Pre Sprout 1 6-4-6                | 2.25 | 4.5  | 4.6 lb/1000 sq. ft. |
| Pre Sprout 2 16-4-6               | 2.5  | 5    | 5 lb/1000 sq. ft.   |
| St. Augustine Weed & Feed 15-5-7  | 1.75 | 4.25 | 4 lb/1000 sq. ft.   |
| Start-N-Gro 6/20/20               | 5    | 6    | 13 lb/1000 sq. ft.  |
| Super Blade 26-3-6                | 1.5  | 3.75 | 3.6 lb/1000 sq. ft. |
| Super Blade Weed & Feed 25-3-6    | 1.5  | 3.75 | 3.6 lb/1000 sq. ft. |
| Super Green Fast Acting 21-7-14   | 1.75 | 4.25 | 4 lb/1000 sq. ft.   |
| Super Green Longer Lasting 28-4-6 | 1.25 | 3.5  | 3 lb/1000 sq. ft.   |
| Super Green Weed & Feed 15-7-7    | 1.75 | 4.25 | 4 lb/1000 sq. ft.   |
| Super Plush Fall & Winter 23-4-7  | 1.75 | 4.25 | 4 lb/1000 sq. ft.   |
| Super Plush Lawn Food 26-3-5      | 1.25 | 3.5  | 3.2 lb/1000 sq. ft. |
| Super Plush Weed & Feed 15-7-7    | 1.75 | 4.25 | 4 lb/1000 sq. ft.   |

### Best

|   |      |      |                     |
|---|------|------|---------------------|
| Golden Turf Supreme 27-3-7                    | 2.25 | 4.5  | 4 lb/1000 sq. ft.   |
| Golden Turf Supreme Weed & Feed 26-2-6        | 1.5  | 3.75 | 3.6 lb/1000 sq. ft. |
| Best Turf Supreme 16-6-8                      | 2.5  | 5    | 5 lb/1000 sq. ft.   |
| Best Turf Supreme Crabgrass & Lawn Fertilizer | 1.5  | 3.75 | 3.6 lb/1000 sq. ft. |
| Best Turf Supreme Fall & Winter Feed 20-3-13  | 2.5  | 5    | 5 lb/1000 sq. ft.   |
| Best Turf Supreme St. Augustine 16-7-7        | 1.5  | 3.75 | 3.6 lb/1000 sq. ft. |
| Best Turf Supreme Starter 6/20/20             | 3.5  | 5    | 10 lb/1000 sq. ft.  |
| Best Turf Supreme Weed & Feed 15-5-7          | 1.5  | 3.75 | 3.6 lb/1000 sq. ft. |

### Earl May

|                                 |      |   |                     |
|---------------------------------|------|---|---------------------|
| 25-3-7 Dandelion Control & Food | 4.75 | 4 | 3.6 lb/1000 sq. ft. |
| Insect Control/ Lawn & Garden   | 3    | 2 | 2 lb/1000 sq. ft.   |
| 27-4-8 Lawn & Turf Food         | 4.75 | 4 | 3.6 lb/1000 sq. ft. |

### Ferti-Lome

|                                 |      |      |                   |
|---------------------------------|------|------|-------------------|
| Crabgrass Preventer & Lawn Food | 5.25 | 4.25 | 5 lb/1000 sq. ft. |
| Special Diazinon Granules       | 3    | 2    |                   |
| Weed Killer & Fertilizer        | 5.25 | 4.25 |                   |

### Franks

|  |      |      |                     |
|--|------|------|---------------------|
| 18-24-6 Seed & Sod Starter                 | 4.5  | 3.75 | 3 lb/1000 sq. ft.   |
| 20-3-3 Crabgrass Prevent & Lawn Fertilizer | 5    | 4    | 3.6 lb/1000 sq. ft. |
| Dandelion & Broadleaf Weed Killer          | 3    | 2    | 2 lb/1000 sq. ft.   |
| Lawn & Garden Insecticide                  | 3    | 2    | 2 lb/1000 sq. ft.   |
| Lawn Insecticide                           | 4.25 | 3    | 2.5 lb/1000 sq. ft. |
| 24-3-12 Premium Fall Lawn Fertilizer       | 4.75 | 4    | 3.6 lb/1000 sq. ft. |
| 26-4-8 Premium Lawn Fertilizer             | 4.75 | 4    | 3.6 lb/1000 sq. ft. |
| 24-3-7 Premium Weed & Feed                 | 4.75 | 4    | 3.6 lb/1000 sq. ft. |
| 12-12-12 Professional Fertilizer           | 4.75 | 4    | 3.6 lb/1000 sq. ft. |

### Fred Meyer

|                                |      |      |                   |
|--------------------------------|------|------|-------------------|
| 8-12-12 Fall & Winter Lawnfood | 5.75 | 4.25 | 4 lb/1000 sq. ft. |
| 28-4-4 Turf King With Iron     | 5.75 | 4.25 | 4 lb/1000 sq. ft. |
| 26-3-3 Weed & Feed With Iron   | 5.75 | 4.25 | 4 lb/1000 sq. ft. |
| 28-4-4 FM Lawn Food            | 3    | 2.5  | 4 lb/1000 sq. ft. |
| 26-3-3 FM Weed & Feed          | 3    | 2.5  | 4 lb/1000 sq. ft. |
| 12-15-15 FM Fall & Winter      | 4.75 | 2.75 | 4 lb/1000 sq. ft. |
| 14-24-14 FM Seed & Sod         |      |      |                   |

### Greenview

|   |       |      |                     |
|---|-------|------|---------------------|
| Two Way Weed & Feed                       | 4.75  | 3.5  | 3 lb/1000 sq. ft.   |
| Green Power Fertilizer                    | 4.75  | 3.5  | 3 lb/1000 sq. ft.   |
| 19-4-4 Crabicide Green                    | 10.25 | 4.25 | 4 lb/1000 sq. ft.   |
| Expel Dandelion Killer                    | 3     | 2    | 2 lb/1000 sq. ft.   |
| 10-16-2- Fall Fertilizer                  | 5     | 4    | 3.6 lb/1000 sq. ft. |
| Green Pro Insect Control & Food           | 5     | 4    | 3.6 lb/1000 sq. ft. |
| 30-3-3 Green Pro Weed Control & Lawn Food | 4.5   | 3.5  | 3 lb/1000 sq. ft.   |
| Professional Lawn Service                 | 4.5   | 3.5  | 3 lb/1000 sq. ft.   |
| 30-4-4 Two Way Green Power                | 4.5   | 3.5  | 3 lb/1000 sq. ft.   |

### Hyponex

|                                |     |      |                   |
|--------------------------------|-----|------|-------------------|
| 29-8-4 Premium Lawn Fertilizer | 4.5 | 3.75 | 3 lb/1000 sq. ft. |
|--------------------------------|-----|------|-------------------|

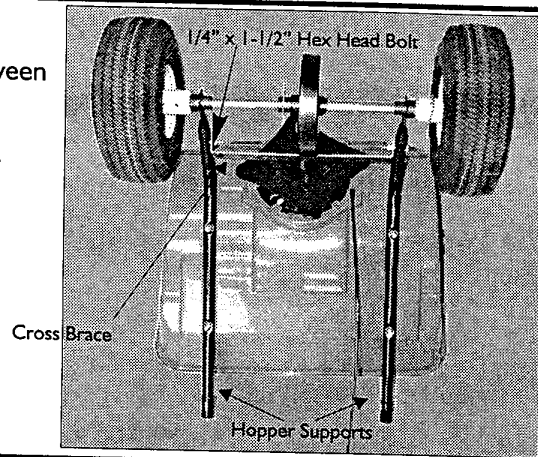
### K-Mart Products

|   |      |      |                     |
|---|------|------|---------------------|
| Kgro Crabgrass Preventer & Lawn Fertilizer 28-3-4 | 1.5  | 3.75 | 3.6 lb/1000 sq. ft. |
| Kgro Premium Lawn Fertilizer 29-3-4               | 1.25 | 3.5  | 3.2 lb/1000 sq. ft. |
| Kgro Starter 20-27-5                              | 2.75 | 5    | 6 lb/1000 sq. ft.   |
| Kgro Texas Turf Fertilizer 15-5-10                | 2.75 | 5    | 6 lb/1000 sq. ft.   |
| Kgro Weed & Feed 28-3-3                           | 2    | 3.5  | 3.2 lb/1000 sq. ft. |
| Kgro Weed & Feed w/Atrazine 28-3-4                | 1.75 | 4.25 | 4 lb/1000 sq. ft.   |

**ASSEMBLY TIP:** Loosely tighten nuts and bolts at first. Fully tighten when the unit is completely assembled.

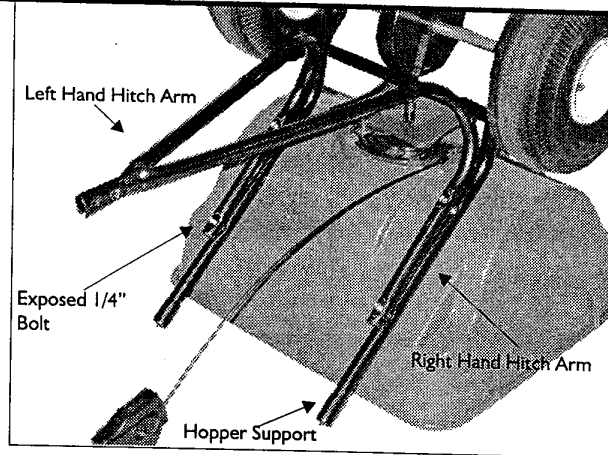
**STEP 1**

Attach Cross Brace between Hopper Supports using 1/4" x 1-1/2" Hex Head Bolts and 1/4" Hex Head Nuts.



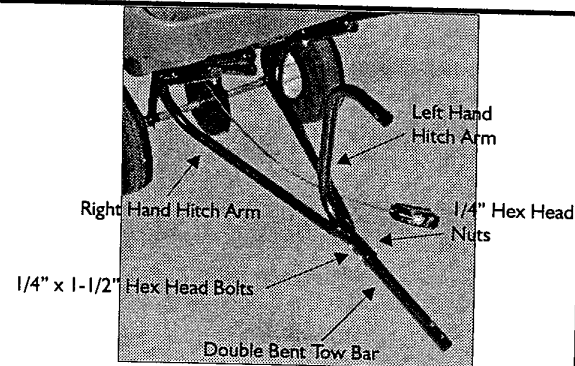
**STEP 2**

Attach both Right Hand and Left Hand Hitch Arms to the Hopper Supports by lining up the mounting holes over the exposed 1/4" bolts (pre-assembled) using 1/4" Hex Head Nuts to secure.



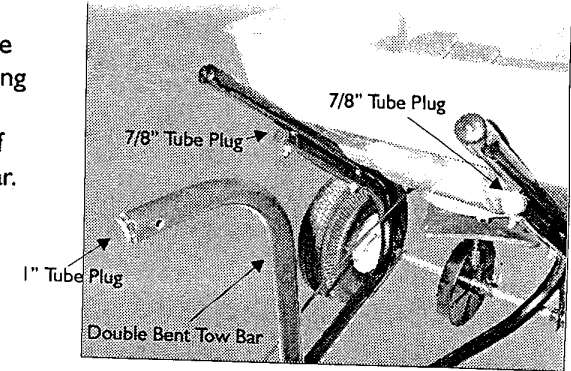
**STEP 3**

Attach the Double Bent Tow Bar to both Hitch Arms using 1-1/2" Hex Head Bolts and 1/4" Hex Head Nuts.



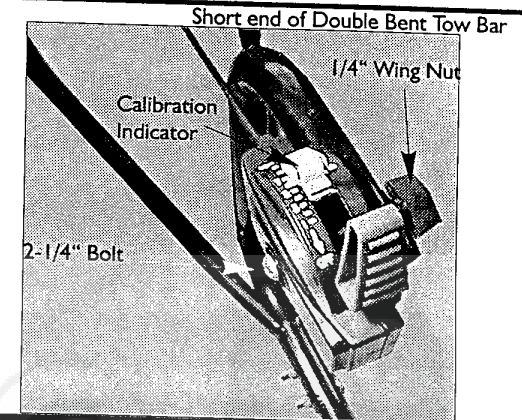
**STEP 4**

Insert Tube Plugs into the open ends of tubing. Using a hammer, gently tap 1" Tube Plug into the top of the Double Bent Tow Bar. Tap 7/8" Tube Plugs into the open ends of both Hitch Arms.



**STEP 5**

To attach Control Cable Assembly, first pass 2-1/4" Bolt Through Control Cable Assembly, then through the Double Bent Tow Bar, and tighten with 1/4" Wing Nut.

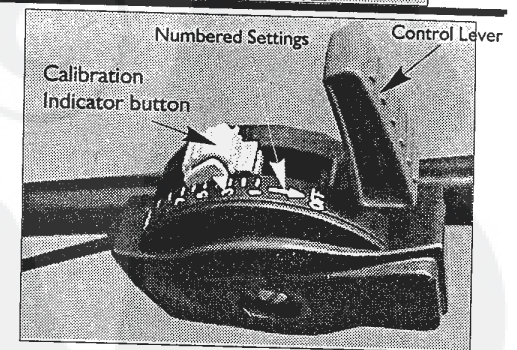


**USING YOUR SPREADER**

Settings are made by pushing down on the Calibration Indicator button, and setting to the desired number on the Control Cable assembly.

**To Open --** Push the Control Lever forward until it stops against Calibration Button.

**To Close --** Pull Control Lever back until it stops.



See Application chart for setting information.

**MAINTENANCE INSTRUCTIONS**

**AFTER EACH USE:** Wash unit thoroughly let dry. Lubricate moving parts, including slide plate, axle and upright shaft.

**CAUTION:** CARE MUST BE TAKEN WITH ANY WEED KILLER, PESTICIDE, OR COMBINATION PRODUCT. THEY CAN BE HARMFUL TO OTHER PLANT LIFE IN THE YARD.