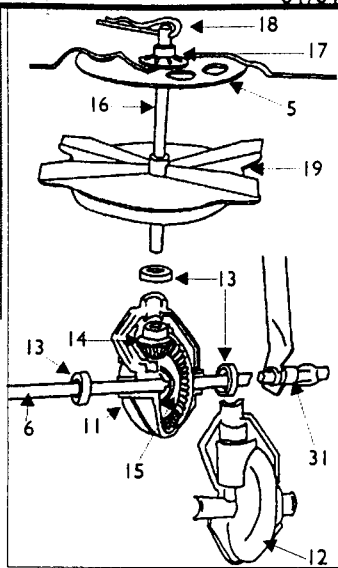
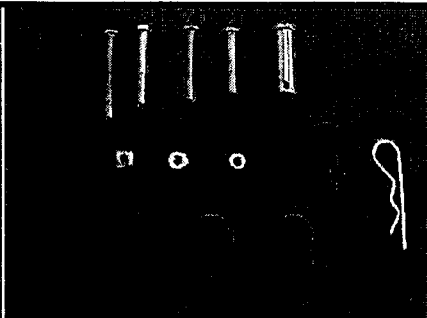
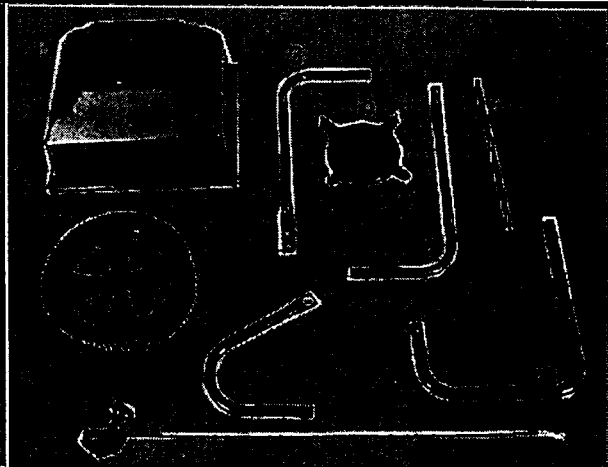
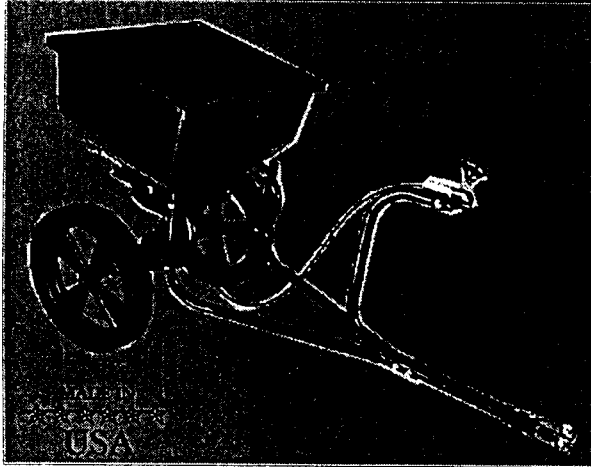


TBS3000 TRAILER SPREADER

ASSEMBLY INSTRUCTIONS & PARTS LIST

01/01



TBS3000 MC

YOU HAVE THE NEW IMPROVED
MODEL WITH THE FOLLOWING PARTS
NEW CABLE #2441V
NEW HOPPER #2874H

**PLEASE DO NOT RETURN THIS
MERCHANDISE TO THE STORE. CALL
US AND WE WILL TAKE CARE OF ANY
PROBLEM YOU MIGHT HAVE WITH THIS
PRODUCT. Phone (800) 225 - 5891 EXT. #226**

HOW TO ORDER PARTS

When ordering parts always give model number, part number and part description.

Send To: Parts Division
316 Limit Street
Lincoln, IL 62656
Phone (217) 735-1590
FAX (217) 735-2435

LIMITED WARRANTY

This unit is warranted against defects in materials and workmanship to the original purchaser, under normal use and service, for a period of ninety (90) days from date of sale. During the Warranty Period, we will repair or replace at our option free of charge to the original purchaser, any part of the Unit that our examination shows to be defective in workmanship or materials. This Warranty **Does Not** apply to damage caused by misuse, abuse, neglect, accident, normal wear, or alterations by unauthorized persons.

Parts List * TBS3000
Retain for future reference **TIP:** Many of these hardware parts can be purchased at your local hardware store.

Ref No	Parts No	Description	Qty	Ref No	Parts No	Description	Qty
1	2609H	Hopper	1	19	2614	Spinner Disc	1
2	2648	Right Hitch Arm	1	20	1269	1/4" Wing Nut	1
3	2649	Left Hitch Arm	1	21	1047	1/4" x 1-1/2" Round Hd. Bolt	2
4	2666	Hopper Support	2	22	1270	1/4" Hex Head Nut	8
5	1307	Slide Plate	1	23	1086	1/4" x 2" Hex Head Bolt	2
6	2651	Axle	1	24	1655	1/4" x 2" Round Head Bolt	6
7	1552K	Wheel	2	25	1051	1/4" Spring Nut	2
8	3060	1" Tube Plug	1	26	1840	1/2" x 1-3/4" Clevis Pin	1
9	1062	Clevis	2	27	1049	1/4" x 2-1/2" Rnd Head Bolt	1
10	1053	7/8" Tube Plug	2	28	6225	Double Bent Tow Bar	1
11	2615	Gear Case Front	1	29	2438	Control Cable Assembly	1
12	2616	Gear Case Rear	1	30	1040	Hub Cap	2
13	1077	Nylon Collar	3	31	2679	1-7/16" Split Spacer	2
14	2622	Small Pinon Gear	1				
15	2621	Large Pinion Gear	1				
16	2611	Rotary Shaft	1				
17	1008	Retaining Ring	1				
18	1042	Hitch Pin	2				



PRECISION PRODUCTS, INC.