

FORM

2551-1

Broadcast Spreader

SB4300RD

PLEASE DO NOT RETURN THIS MERCHANDISE TO THE STORE. CALL US AND WE WILL TAKE CARE OF ANY PROBLEM YOU MIGHT HAVE WITH THIS PRODUCT.
PHONE: (800) 225-5891 EXT. 204

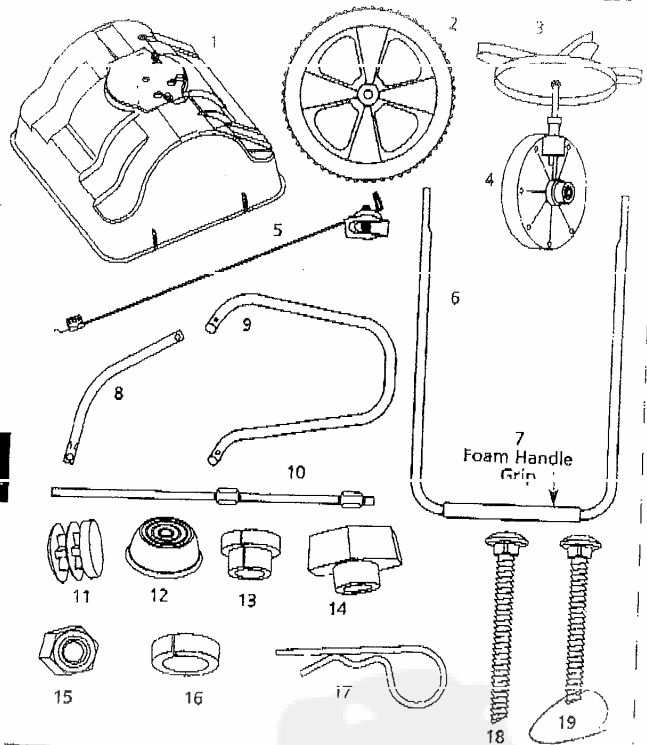
For Replacement Parts

PHONE: (217) 735-1590
FAX: (217) 735-2435

Please provide the following information:
• Model Number
• Part description and number as shown in parts list
Address parts correspondence to:
Precision Products, Inc.
316 N. Limit Street
Lincoln, IL 62656

PARTS LIST FOR SB4300RD

Ref. No.	Part No.	Description	Qty.
1	2565H	Hopper Green	1
2	2890	10" Wheel	2
3	2614	Spinner Disc	1
4	2889G	Gear Case Assemble	1
5	2441	Control Cable Assembly	1
6	2888	Handle (foam grip separate)	1
7	2554	Foam Handle Grip	1
8	2882	Hopper Support	2
9	2887	Leg Stand	1
10	2564	Axle 1/2" x 17"	1
11	1053	7/8" Tube Plug	2
12	1040R	1/2" Hubcap	2
13	1842	Split Bushing	2
14	2828	1/4" Plastic Wing Nut	3
15	1270	1/4" Hex Head Nut	4
16	1060	Split Spacer	2
17	1042	Agitator Clip	1
18	1868	1/4" x 2-1/4" Carriage Bolt	7



Step 1
Unfold Handle
and tighten Wing
Nuts

WING NUTS USED #20408 CROSSBORNE
ALSO USED #6129
1/4" X 1 1/2" HEX HEAD BOLT



For Storage
Loosen Wing Nuts and fold
Handle under Legstand

TIP: Many of these hardware parts can be purchased at your local hardware store.

LIMITED WARRANTY

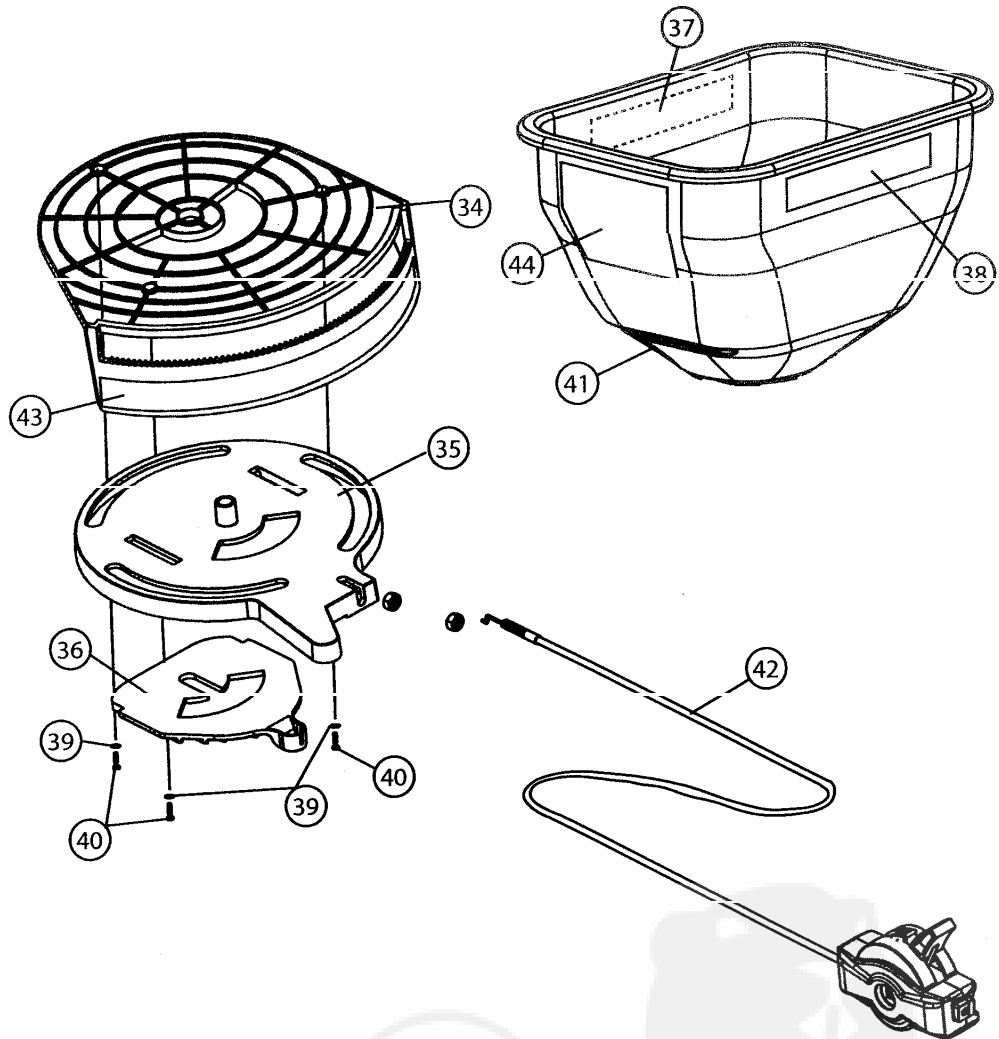
This unit is warranted against defects in materials and workmanship to the original purchaser, under normal use and service, for a period of ninety (90) days from date of sale.

During the Warranty Period, we will repair or replace at our option free of charge to the original purchaser, any part of the unit that our examination shows to be defective in workmanship or materials.

This Warranty does not apply to damage in transit or damage caused by misuse, abuse, neglect, normal wear, or alterations by unauthorized persons.

08/01/02

MADE IN THE U.S.A



Parts List

REF. NO	PART NO. BH	PART NO. RBH	DESCRIPTION	QTY.
34	B-6491	B-6491	Calibration Plate	1
35	B-6490	B-6490	Directional Control Plate	1
36	B-6489	B-6489	Flow Control Plate	1
37	B-5924	B-5924	Decal, Logo	1
38	B-6671	B-6671	Label, Calibration	1
39	F-575	F-575	Washer, Thrust 1/4"	3
40	2M0812P	2M0812P	Bolt, Hex 1/4" x 3/4"	3
41	F-904	F-904	Hopper, w/Inserts	1
42	F-807 PUSH	F-807 PUSH	Flow Control Assembly	1
43	F-903	F-903	Decal, Calibration Plate	1
44		B-6710	Label, Materials	1