

>DEC 2005 - 2006
! TRANSMISSION

SINCE 1839
BRINLY

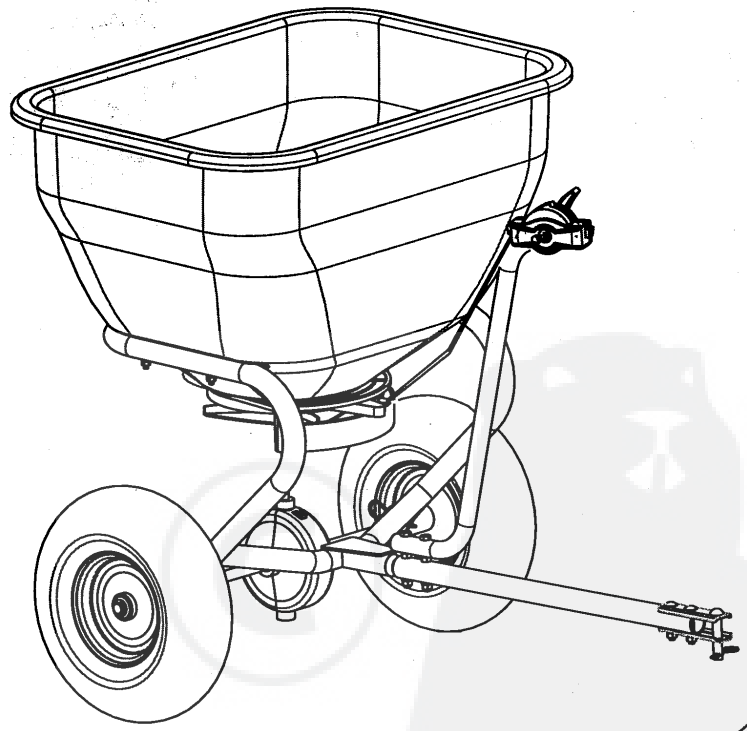
SINCE 1839
BRINLY
OWNER'S MANUAL

BROADCAST SPREADER

MODEL:
BST-35 BH
BST-25 BH

- Assembly
- Installation
- Operation
- Repair Parts

For use with Riders
and Lawn/Garden Tractors



For the latest product updates and setup tips:

Visit us on the web!
www.brinly.com

Important: This manual contains information for the safety of persons and property. Read it carefully before assembly and operation of the equipment!

CONGRATULATIONS on your new Brinly-Hardy Broadcast Spreader! Your Spreader has been designed, engineered and manufactured to give you the best possible dependability and performance.

Should you experience any problem you can not easily remedy, please do not hesitate to contact our knowledgeable customer service department toll-free at 1-877-728-8224. We have competent, well trained technicians to help you with the assembly and use of your spreader.

CUSTOMER RESPONSIBILITIES _____

Please read and retain this manual. The instructions will enable you to assemble, calibrate and maintain your spreader properly. And please, always observe the "Rules for Safe Operation".

Follow a regular schedule in maintaining, caring-for and using your Brinly-Hardy Broadcast Spreader.

TABLE OF CONTENTS

RULES FOR SAFE OPERATION.....2
 PARTS REFERENCE4-6
 PARTS LIST5-6
 ASSEMBLY7-11
 OPERATION12
 MAINTENANCE12-15
 TABLES 1 & 2 (RECOMMENDED SETTINGS).....16-18
 PRODUCTS19
 WARRANTY.....19

RULES FOR SAFE OPERATION _____

- Know controls and how to stop quickly, READ THE VEHICLE OWNER'S MANUAL.
- Do not allow children to operate the vehicle, do not allow adults to operate the vehicle without proper instruction or without having read the owner's manual.
- Do not carry passengers. Keep children and pets a safe distance away.
- Always wear substantial footwear. Do not wear loose fitting clothing that can get caught in moving parts.

- Keep your eyes and mind on your vehicle/attachment and area being covered. Do not let other interests distract you.
- Stay alert for holes in the terrain and other hidden hazards.
- Do not drive close to creeks, ditches and public highways.
- Watch out for traffic when crossing or near roadways.
- When using any attachment, don't allow anyone near while in operation.
- Keep the vehicle and attachment in good operating condition and keep safety devices in place.
- Keep all nuts, bolts and screws tight to be sure the equipment is in safe working condition.
- The vehicle and attachment should be stopped and inspected for damage after striking a foreign object. The damage should be repaired before restarting and operating the equipment.


OPERATING HINTS _____

Always operate your spreader with the speed limit for which it was designed - 3 MPH.

When backing - carefully back straight to avoid jack knifing which could result in damage to equipment.

Only tow your spreader behind vehicles for which it was designed - riders, lawn/garden tractors.

Do not load the hopper with more than the maximum weight capacity of 175 pounds for BST-35 and 125 pounds for BST-25.



This symbol will help to point out important safety precautions throughout this manual. It means - ATTENTION!
BECOME ALERT! Your safety is involved.

Tools Required for Assembly:

- * 1/2" wrench (2)
- * 7/16" wrench (2)
- * Pliers
- * Hammer

Notes:

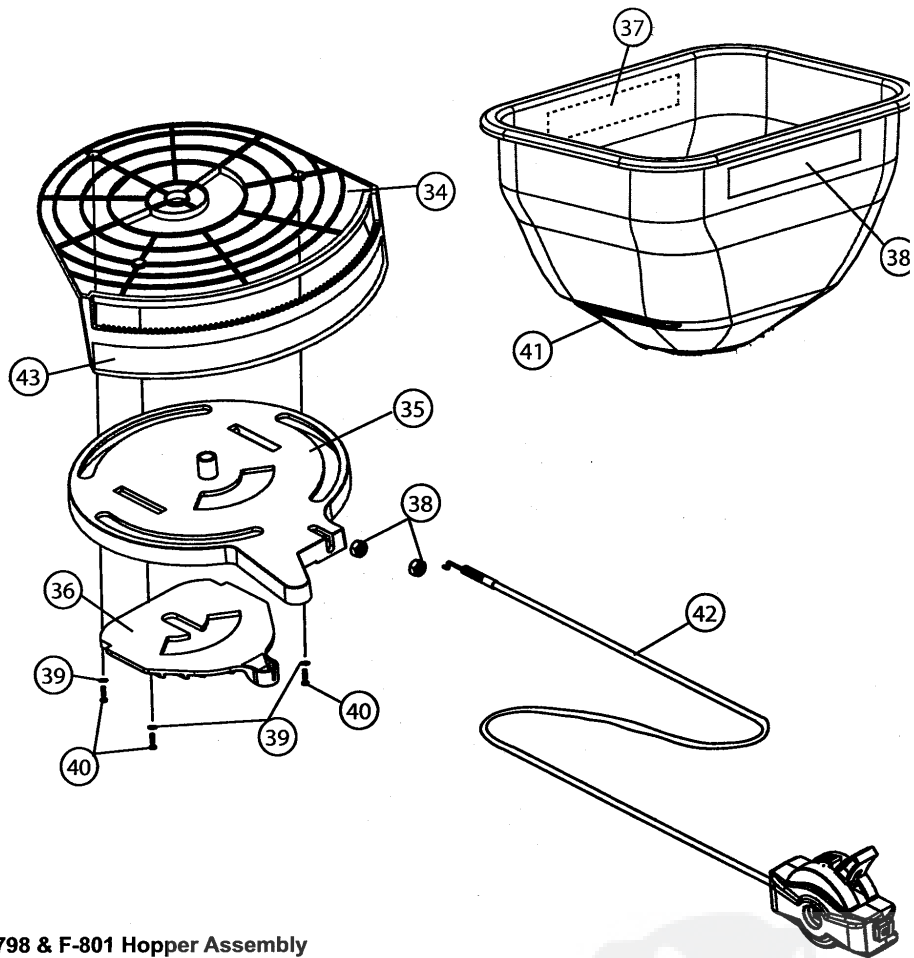


Parts List

REF. NO.	PART NO. BST-25	PART NO. BST-35	DESCRIPTION	QTY.
1	10M1032P	10M1032P	Bolt, Carriage 5/16" x 2"	2
2	2M0840P	2M0840P	Bolt, Hex 1/4" x 2-1/2"	1
3	2M0828SS	2M0828SS	Bolt, Hex Stainless 1/4" x 1-3/4"	6
4	F-920	F-920	Bolt, Hex 5/16" x 3" Full Thread	2
5	30M0800P	30M0800P	Nut, Hex 1/4"	1
6	30M1000P	30M1000P	Nut, Hex 5/16"	2
7	B-4785	B-4785	Nylon Lock Nut 1/4"	6
8	B-4786	B-4786	Nylon Lock Nut 5/16"	4
9	45M0909P	45M0909P	Washer, Flat 1/4"	1
10	45M2121P	45M2121P	Washer, Flat 5/8"	6
11	50M0416P	50M0416P	Pin, Cotter 1/8" x 1"	1
12	B-3861	B-3861	Pin, Hitch 1/2" x 2-1/2"	1
13	B-6485	B-6485	Cap, 1" O.D. Tube	2
14	B-1002P	B-1002P	Hairpin Cotter	1
15	D-146P	D-146P	Hairpin Cotter 1/8"	1
16	F-283	F-283	Bearing, Axle	2
17	F-365	F-365	O-Ring, 3/8" I.D. AS-110	1
18	F-436	F-436	Spring, Agitator, SS	1
19	F-573	F-573	Fan	1
20	F-575	F-575	Washer, Thrust, 1/4"	6
21	F-577	F-577	Snap Ring, E-Type	2
22	F-591	F-591	Driver, Fan	1
23	F-595	F-595	Clip, Lock	1
24	F-620	F-620	Hairpin cotter, Special	2*
25	F-705	F-705	Wheel, Pneumatic	2
26	F-793-10	F-793-10	Tube, Tow	1
27	F-795-10	F-795-10	Support, Controls	1
28	F-798ASM-SER	F-799ASM-SER	Hopper Assembly(see pg. 6)	1
29	40M0800P	40M0800P	Washer, Lock 1/4"	1
30	F-812-10	F-812-10	Hopper Support Weldment	1
31	F-910-01	F-910-01	Axle	1
32	F-901	F-901	Transmission	1
33	R-892-10	R-892-10	Clevis, Hitch	2

* See note figure 4 page 8.





Parts List F-798 & F-801 Hopper Assembly

REF. NO.	PART NO. BST-25	PART NO. BST-35	DESCRIPTION	QTY.
34	B-6491	B-6491	Calibration Plate	1
35	B-6490	B-6490	Directional Control Plate	1
36	B-6489	B-6489	Flow Control Plate	1
37	B-5924	B-5924	Decal, Logo	1
38	B-6671	B-6671	Label, Calibration	1
39	F-575	F-575	Washer, Thrust 1/4"	3
40	2M0812P	2M0812P	Bolt, Hex 1/4" x 3/4"	3
41	F-798	F-799	Hopper, w/Inserts	1
42	F-807	F-807	Flow Control Assembly	1
43	F-903	F-903	Decal, Calibration Plate	1

INSTALLATION QUESTIONS?
MISSING PARTS?
REPLACEMENT PARTS?

DON'T GO BACK TO THE STORE!

Please call our Customer Service Department Toll-Free at
877.728.8224
 or
www.customerservice@brinly.com

Figure 1.

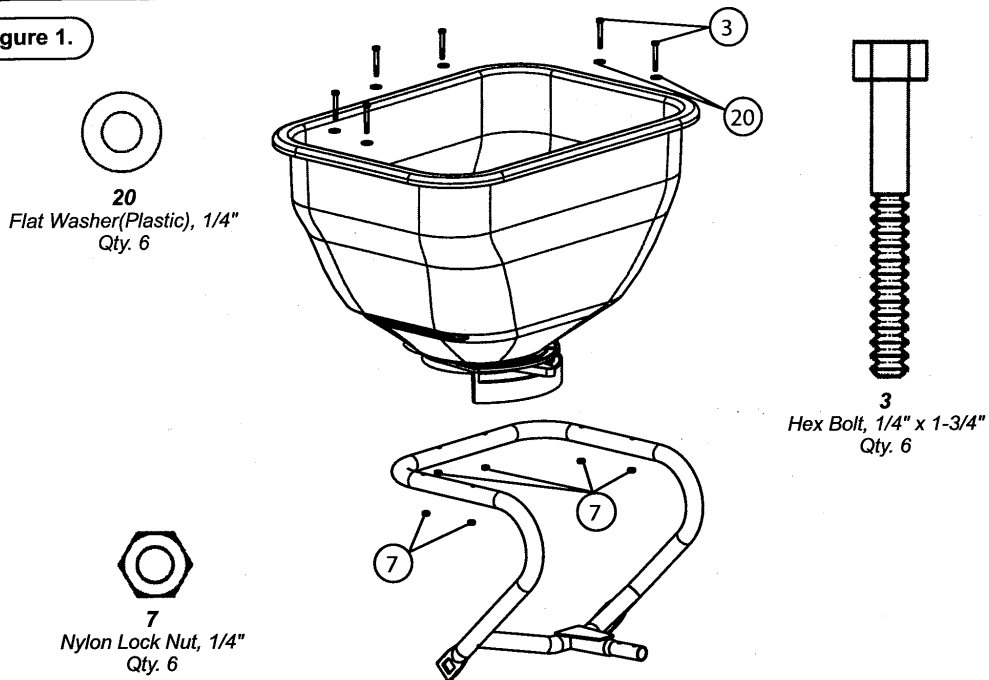
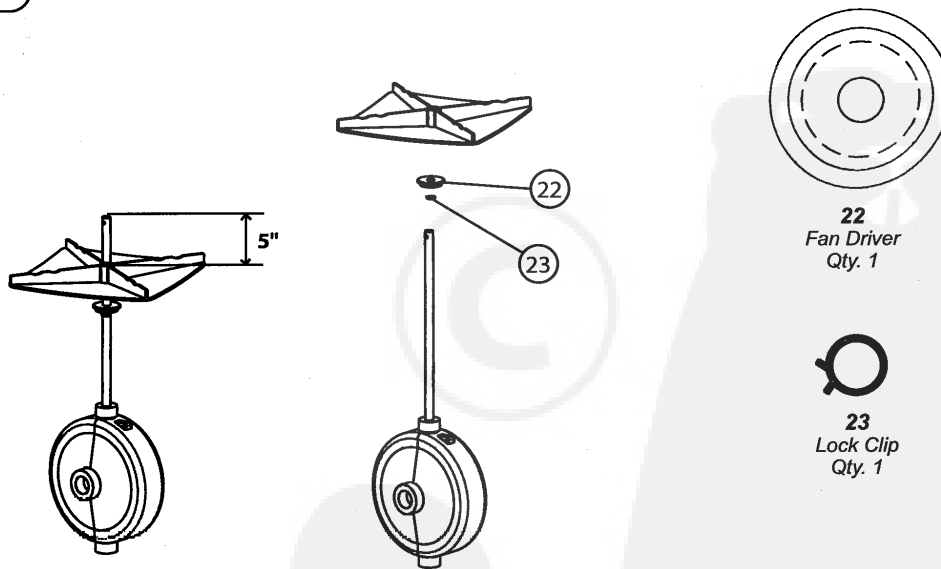


Figure 2.



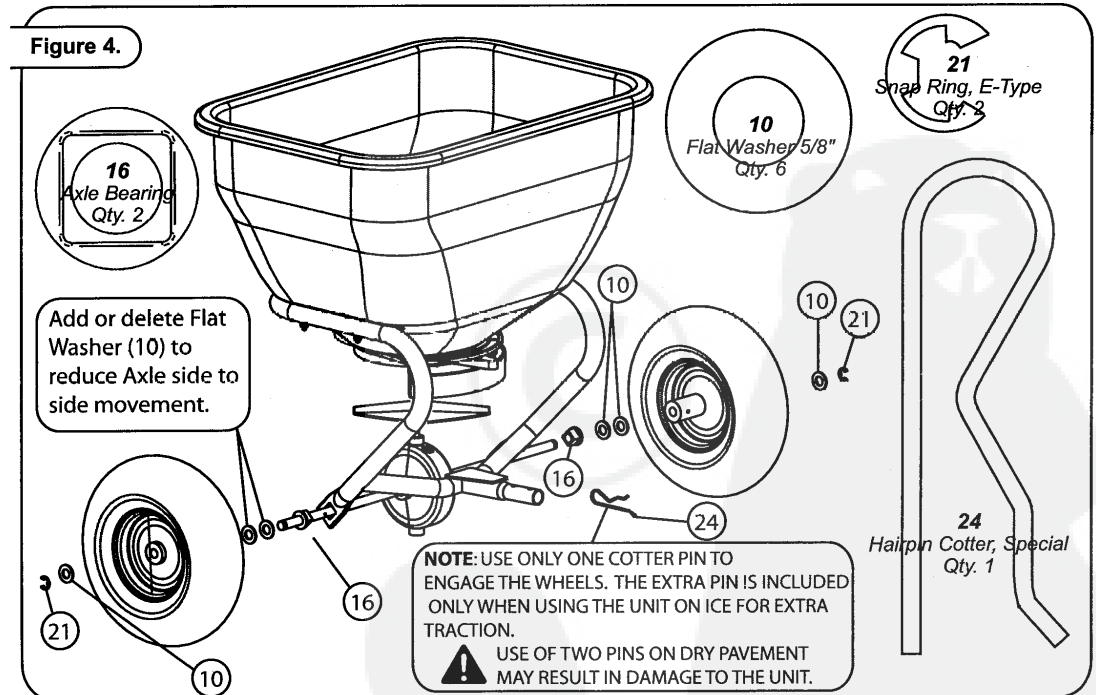
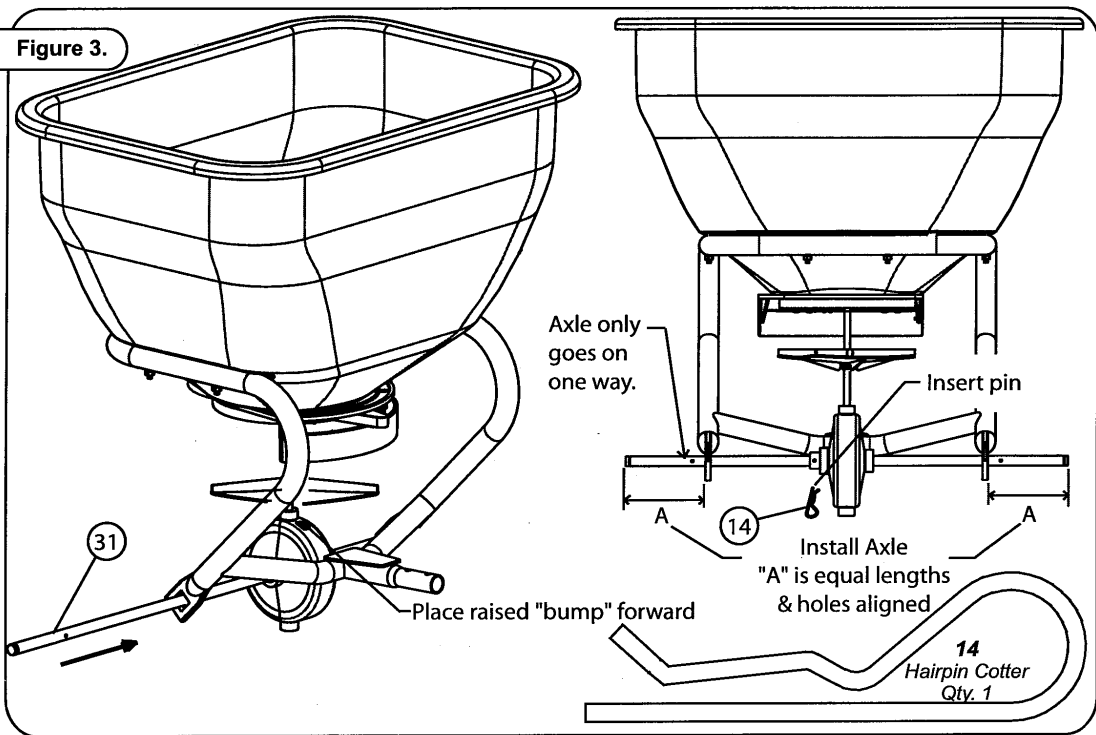


Figure 5.

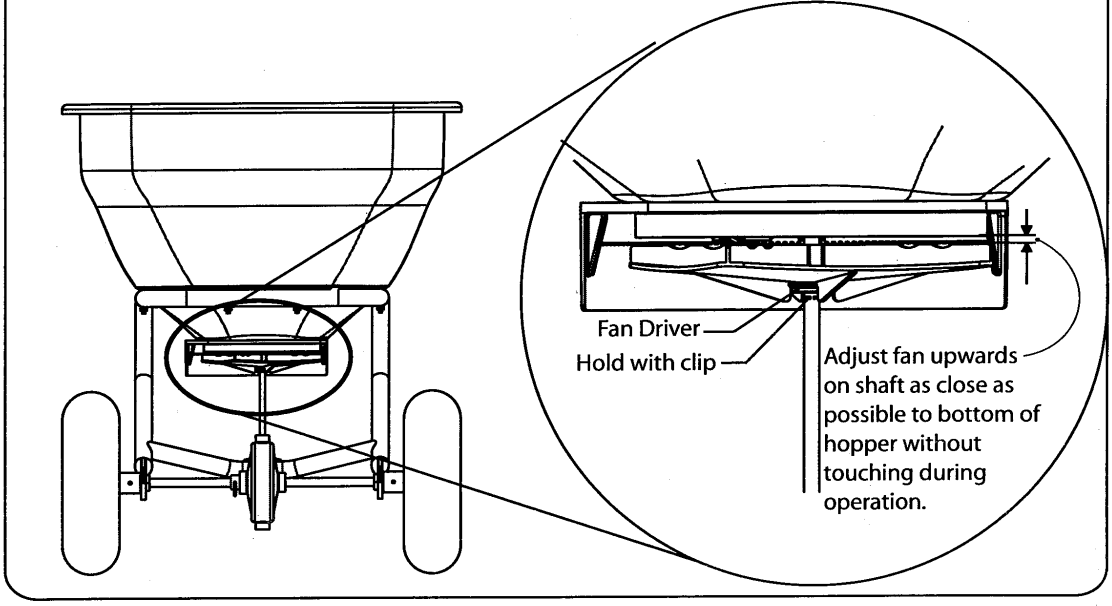


Figure 6.

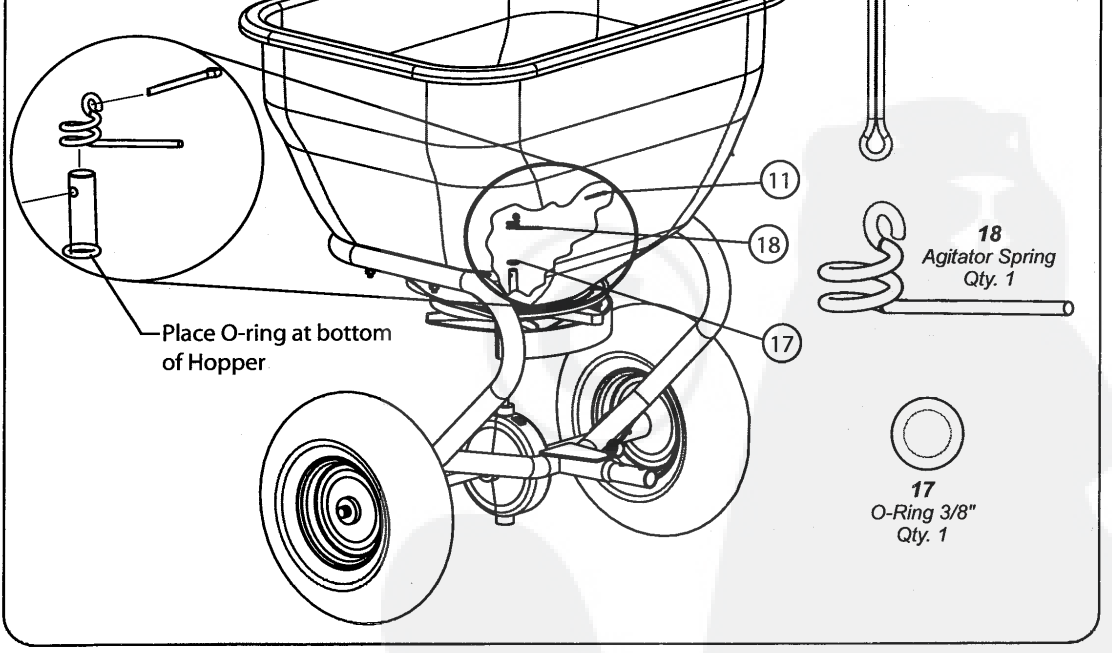


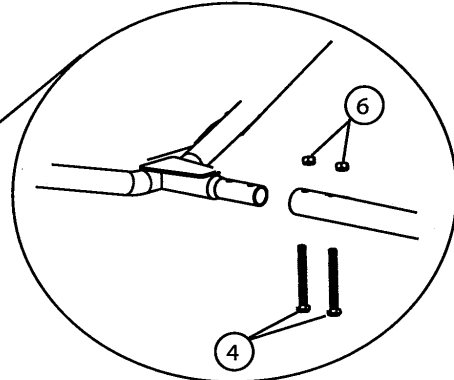
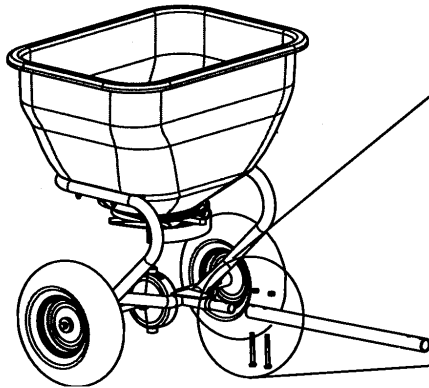
Figure 7.



4
Hex Bolt 5/16" x 3"
Qty. 2



6
Hex Nut 5/16"
Qty. 2



Tighten nuts (6) securely.

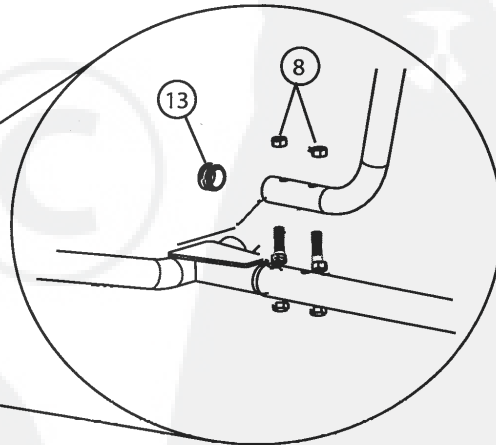
Figure 8.

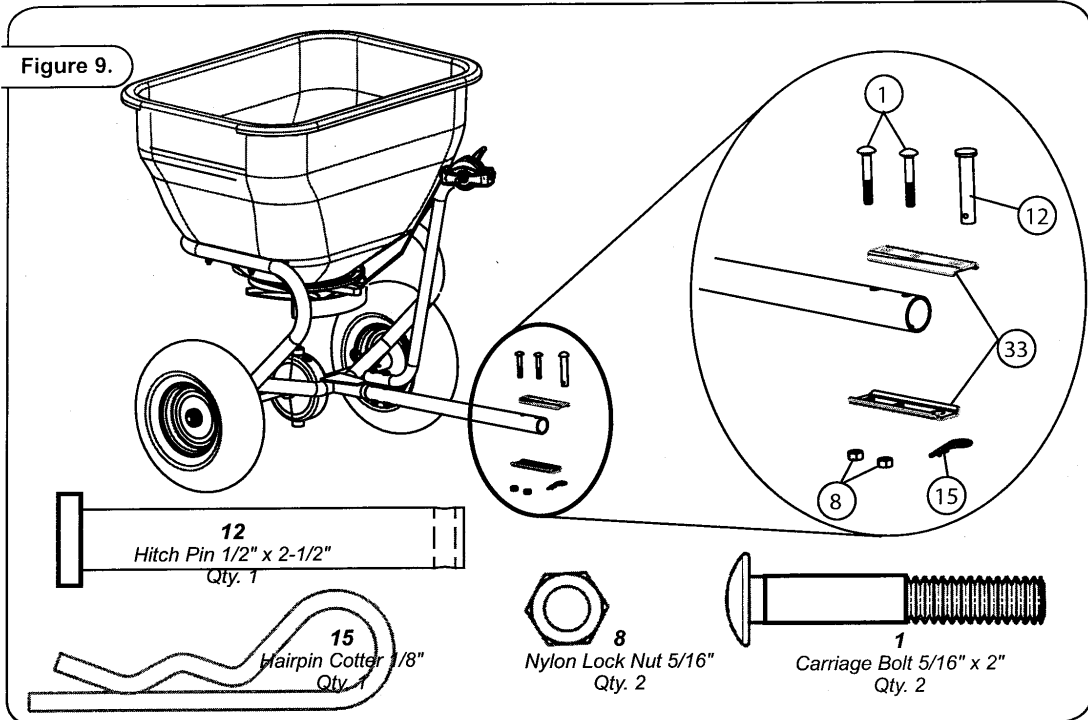


13
Cap Tube
Qty. 1



8
Nylon Lock Nut 5/16"
Qty. 2







OPERATION:

The Fan speed and the spread width are controlled by the speed of the vehicle. The recommended operating speed is slightly faster than that of a brisk walk, 3 MPH. 3 MPH is equal to the vehicle traveling 40 ft. in 9 seconds.

The Flow Control Assembly operates the Flow Control Plate. The Flow Control Assembly is marked 0 (closed) to 10 (fully open). The position selected determines the amount of material to be broadcast. The higher the number, the heavier the application of material.

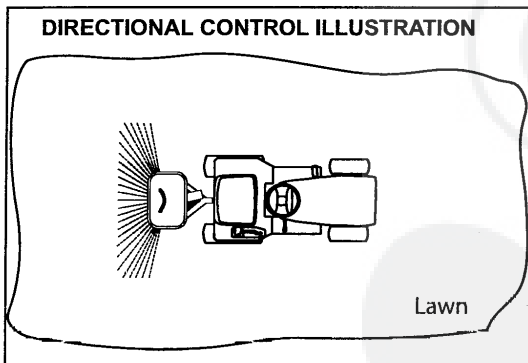
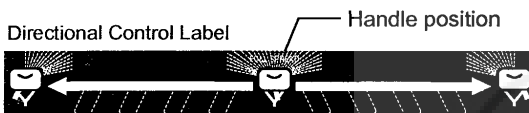
Flow Control settings for many of the common fertilizers, insecticides, and grass seeds are provided in Table 1. If the material is not listed in Table 1, then use Table 2 to set the Flow Control. Table 2 is also provided on the hopper decal of your unit.

After determining the correct setting number for your material, move Flow Control Lock to that position. Move Flow Control Lock to the lock position to open the flow control plate.

DIRECTIONAL CONTROL:

NORMAL OPERATION (Uniform Spreading)

Fertilizers, Insecticides, and Grass Seed each have different particle size and weight. This can be referred to as particle density. As the particles are impacted by the fan, the distribution can be centered or slightly off center depending on particle density and forward vehicle speed. Adjustment can be made by moving the Direction Control Handle to the RIGHT or LEFT. The directional decal located below the Directional Control Plate handle will aid you in adjusting the spread pattern. For most applications the handle should be placed close to the center position described by the label below. If the material is coming out right or left during operation, adjustment of this lever should be made to center the material distribution pattern behind the vehicle. Your broadcast spreader has a patented feature to allow you to adjust for centering.



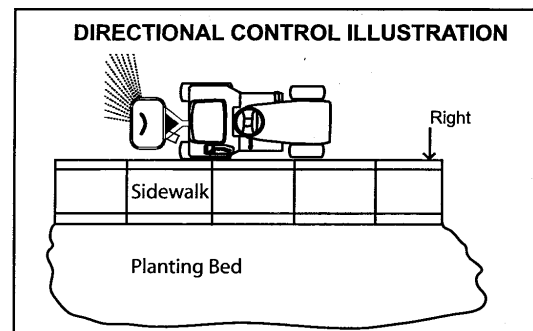
12. L-1719-01

DIRECTIONAL CONTROL:

ONE SIDE ONLY SPREADING

The directional control handle can be used for adjusting the material spread pattern when spreading near sidewalks, planting beds, etc. The directional Control Handle only operates with 90% shut-off of material to the right side of the vehicle as shown in the illustration below.

Directional Control Label



OPERATING TIPS

Do not load the hopper with more than the maximum weight capacity of 175 pounds for BST-35 and 125 pounds for BST-25.

When spreading ice melters, use 2 Hairpin Cotter(24), 1 in each Wheel hub, for better traction.

When spreading seed, fertilizer, etc., insert only 1 Hairpin Cotter in either the right or left wheel hub.

Break up any lumps as you fill the Hopper.

Do not use on windy days, especially when spreading fine grass seed or herbicides.

MAINTENANCE

The key to years of trouble-free service is to keep your Spreader clean and dry.

Never allow material to remain in Hopper for extended periods of time.

Should rust develop, sand lightly and then paint area with enamel.

Periodically check all fasteners for tightness.

Rinse/dry inside and outside of spreader after each use. Move Flow Control as you rinse to avoid build up of material.

ANNUAL MAINTENANCE:

Figure 10.

1. Remove wheels and bearings.
2. Clean Parts.
3. Lightly lubricate bearings.

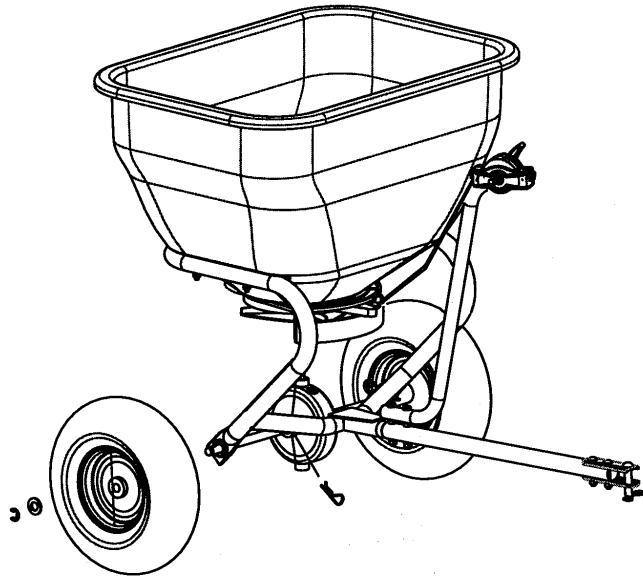


Figure 11.

1. Remove transmission.
2. Clean fan.

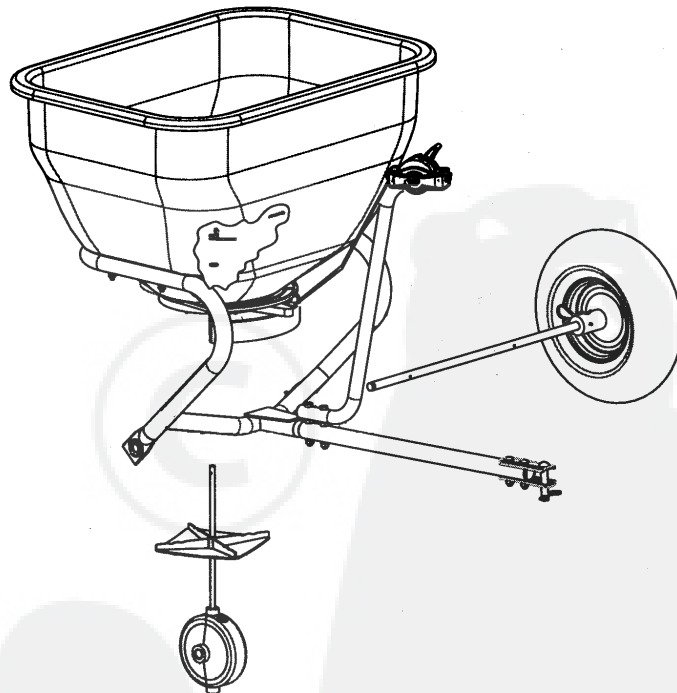
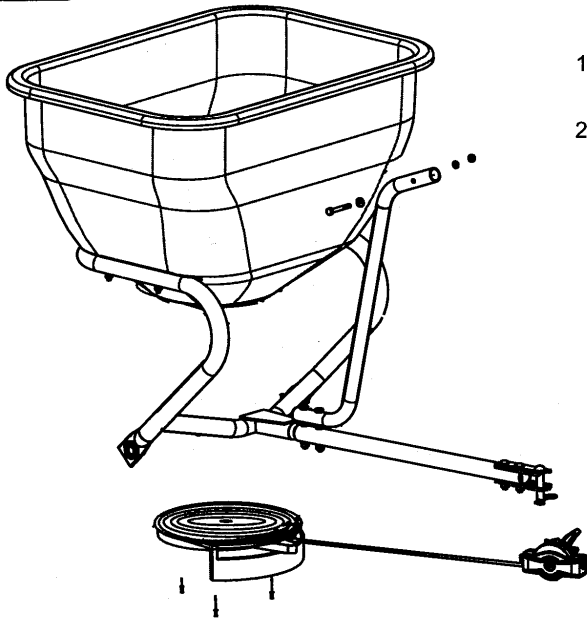
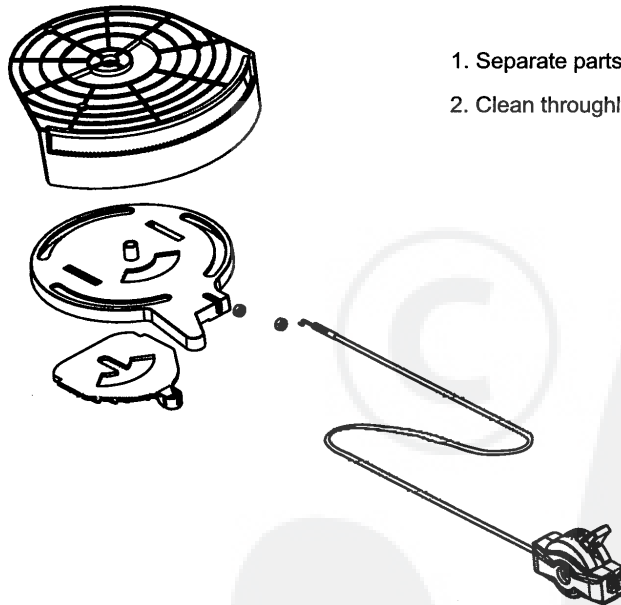


Figure 13.



1. Remove 3 screws that secures Control Plate Assembly.
2. Remove Flow Control Assembly from support tube.

Figure 14.

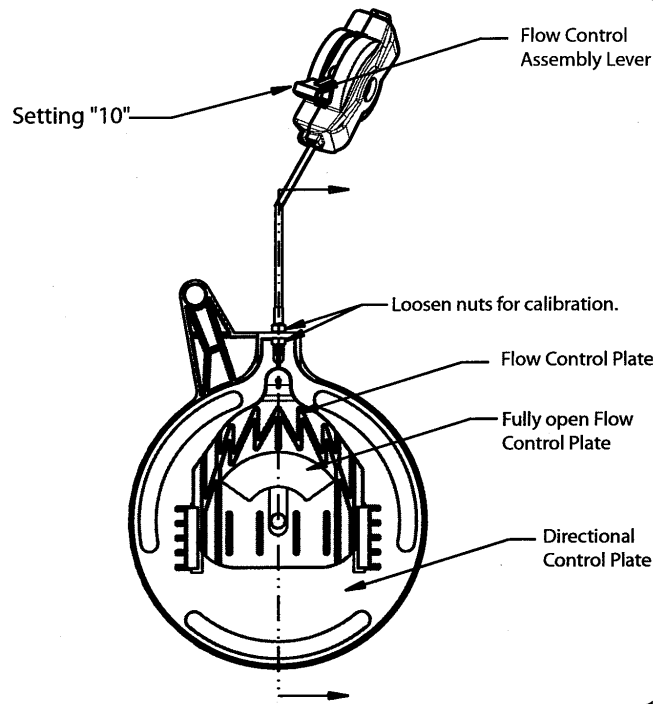


1. Separate parts as shown.
2. Clean thoroughly using soap and water.

CALIBRATION

Figure 14.

1. Move the Flow Control Assembly Lever to "OFF" setting.
2. Reassemble parts from fig. 14.
3. Move the Flow Control Assembly Lever to "10" setting.
4. Adjust the two nuts on Directional Control Plate in or out (together) so the Flow Control Plate is fully open. Tighten nuts together.
5. Move Flow Control Assembly Lever back and forth and to the "OFF" setting. Flow Control Plate will move freely and be in closed position.



TROUBLE SHOOTING (SPREADING DIFFICULTIES AND REMEDIES)

PROBLEM	CAUSE/CONDITION	REMEDY
Flow Control lever does not snap into flow control pointer	Assembly not tight	*Tighten bolt on the assembly
Not enough (or too much) fertilizer dispensed	Plates not calibrated	*Recalibrate the plates. (refer to figure 15 .)
Flow control lever hard or won't operate	Hex bolt (2) too tight or Control plates are clogged with fertilizer	*Loosen Hex bolt (2) *Take control plates apart and clean plates out with water. (Refer to fig 11 thru 15.
Fan does not turn when pulling	Drive Hairpin Cotter not in place or Fan Driver (22) Engaged into Fan(19)	*Find or Replace Missing Hairpin (14 or 24) Refer to Fig. 3 & 4 *Position Fan, Drivers, and Lock C as shown in Fig. 5

Table 1
Flow Control Settings for Specific Fertilizer's, Insecticides, and Grass Seeds

lbs/1000 sq ft	Flow Control Setting	Materials	lbs/1000 sq ft	Flow Control Setting	Materials
10	6	All American All Purpose Fertilizer 10-10-10	3.6	3.5	Miracle-Gro Starter Lawn Fertilizer 20-27-5
3.8	5	Bayer Season Long Grub Control	3.1	3	Miracle-Gro Starter Lawn Fertilizer 29-3-4
2.9	4	Bayer Season Long Grub Control	9.6	5.5	Ortho Lawn Insect Killer Granules
3	3.5	Bayer Complete Insect Killer	4.8	3.5	Ortho Lawn Insect Killer Granules
2	3	Bayer Complete Insect Killer	2.4	2	Ortho Lawn Insect Killer Granules
3	2.5	Bayer Power Force Multi-Insect Killer	1.2	1.5	Ortho Lawn Insect Killer Granules
2	2	Bayer Power Force Multi-Insect Killer	4	4	Ortho Max Insect Killer for Lawns
3	3	Bayer Grub Control	2	3	Ortho Max Insect Killer for Lawns
2	2.5	Bayer Grub Control	1	2	Ortho Max Insect Killer for Lawns
3.2	3.5	Bayer Lawn Fertilizer Plus Weed Control II 30-3-4	10	6	Parkers Super Soilife Lawn & Garden Fertilizer 10-10-10
3.8	3.5	Bayer Season Long Grub Control	6.5	4.5	Parkers Super Soilife Lawn & Garden Fertilizer 16-4-8
2.9	3	Bayer Season Long Grub Control	3.6	3.5	Pennington Lawn Starter Fertilizer 18-24-6
3.6	3.5	Bayer Lawn Starter Fertilizer 20-27-5	10	7	Pennington Master Turf High Traffic Lawn Seed Mixture
3.2	3.5	Bayer Lawn Fertilizer Plus Crabgrass Preventer 30-3-4	5	5.5	Pennington Master Turf High Traffic Lawn Seed Mixture
3	3.5	Eliminator Ant, Flea, and Tick Killer Granules	8	7	Pennington Master Turf Shady Lawn Seed Mixture
2.5	3	Eliminator Ant, Flea, and Tick Killer Granules	4	5.5	Pennington Master Turf Shady Lawn Seed Mixture
2	3	Eliminator Ant, Flea, and Tick Killer Granules	10	7	Pennington Master Turf Sun & Shade Lawn Seed Mixture
2	3.5	Eliminator 5% Diazinon Insect Killer Granules	5	5.5	Pennington Master Turf Sun & Shade Lawn Seed Mixture
7	5	Howard Johnsons All-purpose Fertilizer 8-8-8			
7	5	Howard Johnsons All-purpose Fertilizer 10-10-10			
7	5	Howard Johnsons All Purpose Fertilizer 12-12-12			
5	4.5	Ironite 1-0-0			
4	3.5	Klay Soft Pelletized Gypsum Soil Conditioner			
3	3	Klay Soft Pelletized Gypsum Soil Conditioner			
2	2.5	Klay Soft Pelletized Gypsum Soil Conditioner			
4	4.5	Lesco Pre-M .86% Plus Fertilizer 25-0-7			
4.2	4	Lesco Starter Fertilizer 18-24-12			
4.2	3.5	Lesco Turf Fertilizer 24-2-11			
4	3.5	Lesco Weed and Feed			
8	6.5	Master Turf Ultimate Tall Fescue Blend			
4	5	Master Turf Ultimate Tall Fescue Blend			
8	6.5	Milorganite 6-2-0			
16	8	Milorganite 6-2-0			
3.2	3.5	Miracle-Gro Lawn Fertilizer plus Weed Control 28-3-3			

Table:1 Continued

lbs/1000 sq ft	Flow Control		Materials	lbs/1000 sq ft	Flow Control		Materials
	Setting.	Setting.			Setting.	Setting.	
2	2.5		Real-Kill Multi-Purpose Lawn and Garden Insect Killer	2.33	3.5		Sevin Lawn Insect Granules
2.5	3		Real-Kill Multi-Purpose Lawn and Garden Insect Killer	2.25	3.5		Sevin Lawn Insect Granules
10	7		Rebels Supreme Blend Grass Seed for Sun & Shade	3	4		Spectracide Grub Stop
5	5.5		Rebels Supreme Blend Grass Seed for Sun & Shade	3	2		Spectracide Triazicide Insect Killer Granules
10	7		Ringer Lawn Restore 10-2-6	3.6	3.5		Sta-Green Lawn Fertilizer 29-2-5
12.3	7.5		Sam's Choice Crabgrass Preventer 30-3-4	2	3		Sta-Green Lawn Weed Control
8.1	6		Sam's Choice Crabgrass Preventer 30-3-4	3.2	3.5		Sta-Green 200 Plus Weed & Feed 28-3-3
6	5.5		Sam's Choice Crabgrass Preventer 30-3-4	3.6	3.5		Sta-Green Starter Fertilizer 18-24-10
5.4	5		Sam's Choice Crabgrass Preventer 30-3-4	3.2	3.5		Sta-Green Weed & Feed 28-2-4
3	3		Sam's Choice Insect Control Plus Fertilizer 28-4-6	10	7		Sun & Shade Grass Seed Mixture
3.2	3.5		Sam's Choice Lawn Food 29-3-4	5	5.5		Sun & Shade Grass Seed Mixture
6	5.5		Sam's Choice Starter Fertilizer 20-27-5	3	2		Vigoro Insect Control Plus Fertilizer
3.6	4		Sam's Choice Starter Fertilizer 20-27-5	3.6	4.5		Vigoro Starter Fertilizer
4	5.5		Scotts Classic Grass Seed Fall Grass Seed Mix	3.2	3.5		Vigoro Turf Fertilizer 29-3-4
2	3.5		Scotts Classic Grass Seed Fall Grass Seed Mix	3	3		Vigoro Ultra Truf Winterizer 22-3-14
2.3	2.5		Scotts Grubex	3	3		Vigoro Weed and Feed
3.1	4		Scotts Grubex Season Long Grub Control	3.2	4.5		Vigoro Weed and Feed
2.3	3.5		Scotts Grubex Season Long Grub Control	4	5.5		Wal Mart Gardens Kentucky Bluegrass Grass Seed
1.4	2.5		Scotts Lawn Fungus Control	2	3.5		Wal Mart Gardens Kentucky Bluegrass Grass Seed
2.7	4		Scotts Lawn Fungus Control	8	7		Wal Mart Gardens Kentucky 31 Tall Fescue
2.2	3.5		Scotts Pure Premium Kentucky Bluegrass Mix	4	5.5		Wal Mart Gardens Kentucky 31 Tall Fescue
1.1	3		Scotts Pure Premium Kentucky Bluegrass Mix	3.2	3.5		Wal Mart Weed & Feed 28-3-3
2.5	4		Scotts Pure Premium Sun & Shade Grass Seed Mixture				
1.25	3		Scotts Pure Premium Sun & Shade Grass Seed Mixture				
3.6	3.5		Scotts Starter Fertilizer 20-27-5				
5.9	4.5		Scotts Starter Fertilizer 20-27-5				
2.7	3.5		Scotts Turf Builder 28-3-8				
3.1	3		Scotts Turf Builder Lawn Fertilizer 29-3-4				
2.7	3.5		Scotts Turf Builder with Summer Guard				
2.9	3.5		Scotts Turf Builder Plus Weed Control				
3.3	3		Scotts Winterizer 22-4-1				
4.6	4.5		Sevin Lawn Insect Granules				

Table 2:

CALIBRATION SETTINGS	5-9	1.0-1.4	1.5-2.4	2.5-3.4	3.5-3.9	4.0-4.4	4.5-4.9	5.0-5.9	6.0-7.4	7.5-8.9	9.0-10.9	11.0-12.9	13.0-14.9	15.0-17.9	18.0-20.9	21.0-24.5
<p>OPERATING INSTRUCTIONS</p> <p>• USING APPLICATION INFORMATION ON BAG: FIND CALIBRATION SETTINGS ABOVE AND SET CALIBRATION CONTROL LEVER</p> <p>• ADJUST SPREAD PATTERN TO LEFT, RIGHT, OR CENTER USING DIRECTIONAL SPREAD PATTERN CONTROL HANDLE (BENEATH SPREADER HOPPER)</p> <p>• NOTE: CALIBRATION SETTINGS HAVE BEEN DETERMINED USING A 3 MPH PACE (TRAVEL OF 40 FT. IN 9 SECONDS)</p> <p>• NOTE: THIS CALIBRATION GUIDE IS TO BE USED AS A GENERIC GUIDE. FOR SPECIFIC PRODUCTS, SEE YOUR OWNERS MANUAL OR VISIT www.brinly.com</p> <p>• Usando la información de uso que aparece en la bolsa, encuentre el ajuste de calibración (arriba) y ajuste la palanca de control de calibración</p> <p>• Ajuste el patrón de esparcimiento hacia la izquierda, la derecha o el centro usando la manija de control de patrón direccional de esparcimiento (Localizada debajo de la tolva del esparcidor)</p> <p>• NOTA: Los ajustes de calibración han sido determinados usando una marcha de 3 millas por hora (una travesía de 40 pies en 9 segundos)</p> <p>• NOTA: Esta guía de calibración es para ser usada como una guía genérica; para productos específicos, vea su manual de propietario</p>	1	2	2.5	3	3.5	4	4.5	5	5.5	6	6.5	7	7.5	8	9	10
<p>INSTRUCCIONES DE OPERACION</p> <p>• Usando la información de uso que aparece en la bolsa, encuentre el ajuste de calibración (arriba) y ajuste la palanca de control de calibración</p> <p>• Ajuste el patrón de esparcimiento hacia la izquierda, la derecha o el centro usando la manija de control de patrón direccional de esparcimiento (Localizada debajo de la tolva del esparcidor)</p> <p>• NOTA: Los ajustes de calibración han sido determinados usando una marcha de 3 millas por hora (una travesía de 40 pies en 9 segundos)</p> <p>• NOTA: Esta guía de calibración es para ser usada como una guía genérica; para productos específicos, vea su manual de propietario</p>	1	2	2.5	3	3.5	4	4.5	5	5.5	6	6.5	7	7.5	8	9	10



En vous référant au mode d'application imprimé sur le sac, trouvez le niveau de calibrage (ci-dessus) et ajustez le levier de commande de calibrage

• Ajustez l'étalement du jet vers la gauche, la droite ou le centre à l'aide de la manette de réglage directionnel de l'étalement (en dessous de la trémie de l'épandeur)

• Attention: Les niveaux de calibrage ont été établis en fonction d'une vitesse de 3 MPH (soit un déplacement de 40 pieds toutes les 9 secondes)

• Attention: Ce guide de calibrage n'est donné qu'à titre générique consultez également le mode d'emploi accompagnant chaque produit.

MODE D'EMPLOI

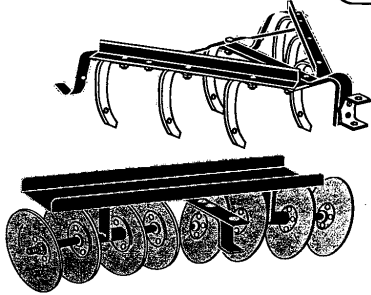
• En vous référant au mode d'application imprimé sur le sac, trouvez le niveau de calibrage (ci-dessus) et ajustez le levier de commande de calibrage

• Ajustez l'étalement du jet vers la gauche, la droite ou le centre à l'aide de la manette de réglage directionnel de l'étalement (en dessous de la trémie de l'épandeur)

• Attention: Les niveaux de calibrage ont été établis en fonction d'une vitesse de 3 MPH (soit un déplacement de 40 pieds toutes les 9 secondes)

• Attention: Ce guide de calibrage n'est donné qu'à titre générique consultez également le mode d'emploi accompagnant chaque produit.

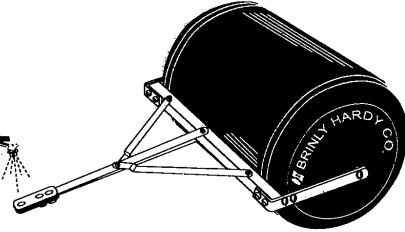
Caring for the quality of your lawn
with the products from
Brinly-Hardy Company



Brinly's garden tractor items offer the largest selection to turn your garden tractor into a year-round tool. We have box scrapers, blades, cultivators, disk harrows, and even a plow! Remember that a sleeve hitch is required to hook up these items to your garden tractor.



Brinly sprayers are designed to be easy to use, extremely accurate, and long lasting. Our in-line mounted tank design means that even the biggest tank is easy to maneuver and can fit through a garden gate. Each unit comes with a tractor-mounted on/off control.



No more rust or dents with these poly lawn rollers. These units are much easier to deal with than the steel versions. They have rounded end caps that won't tear or gouge the lawn when turning. Erase the harmful effects of frost heaving and moles, or pack down newly sewn seed or sod.

Limited Warranty

Brinly-Hardy Company warrants only to the original retail purchaser that this product will remain free of defects in workmanship and materials under normal use and service for a period of two (2) years (NOTE: ninety (90) days for commercial or rental use) commencing with the date of purchase.

Any parts found to be defective within the warranty period will be replaced, with proof of date of purchase, at Brinly-Hardy Company's expense. Our obligation under this warranty is expressly limited to replacement or repair, at our option of parts, which are defective in material or workmanship within thirty (30) days of receipt of the parts. This warranty does not apply to damage caused by unreasonable use, including failure to provide necessary maintenance, nor does it apply to any transportation or labor charges.

WE MAKE NO OTHER EXPRESS WARRANTY NOR IS ANYONE AUTHORIZED TO MAKE ANY ON OUR BEHALF. ANY IMPLIED OR STATUTORY WARRANTIES, INCLUDING ANY WARRANTY OF MERCHANTABILITY OR FITNESS FOR A PARTICULAR PURPOSE, ARE LIMITED TO THE DURATION OF THIS WRITTEN WARRANTY. WE SHALL NOT BE LIABLE FOR CONSEQUENTIAL OR INCIDENTAL DAMAGES OF ANY KIND.

MADE IN THE U.S.A.
BRINLY-HARDY COMPANY TOLL-FREE 1-877-728-8224

Register Online at: www.brinly.com

Quality Insurance

Dear Customer,
We are very proud of our quality and endeavor to produce each product to meet high standards. Should your purchase not meet your expectations, we have a Quality Insurance Policy.

If you purchase a product and a part is missing or defective, please inform us of the problem online, or contact us toll free at 1-877-728-8224. PLEASE DO NOT RETURN THE PRODUCT TO THE STORE!

We will make every effort to ship a new replacement part to you within 24 hours at no charge.

Thank you,

Jane Hardy
President
Brinly-Hardy Company



WARRANTY REGISTRATION CARD

To register your new product for warranty, please complete and return this card.

Name: _____
 Address: _____
 City: _____ State: _____ Zip: _____
 Phone: _____
 Product Purchased: _____ Model#: _____
 Packing# (on carton): _____
 Where purchased: _____ Date: _____
 Type of Tractor Owned: Make: _____
 Model: _____
 HP: _____
 Size of Lawn: ___ 1/4-1/2acre ___ 1/2-1acre ___ 1-5 acre ___ 5+
 Do you garden? _____ Use a tractor? _____ Tiller? _____
 Your Occupation? _____
 Your Email Address? _____
 Comments: _____