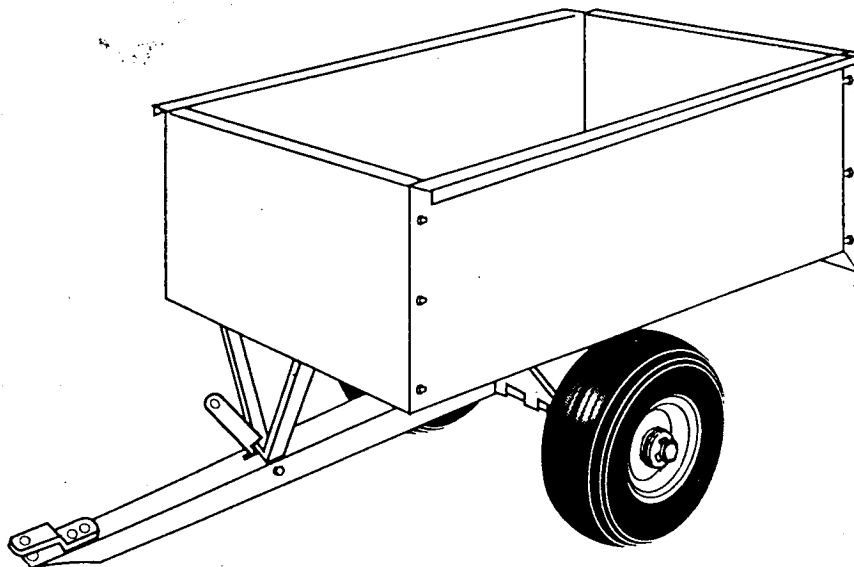


BRINLY

OWNER'S MANUAL

SERIES HDC-16L BH
MODEL HDC-160L BH
16 CUBIC FOOT CART



"IMPORTANT: THIS MANUAL CONTAINS INFORMATION FOR THE SAFETY OF PERSONS AND PROPERTY. READ IT CAREFULLY BEFORE ASSEMBLY AND OPERATION OF THE EQUIPMENT!"

"CAUTION: USE THIS CART ONLY WITH A PROPERLY POWERED TRACTOR CAPABLE OF HANDLING WEIGHTS AND LOADS AS SHOWN IN THE SPECIFICATIONS. IF UNSURE ABOUT ITS CAPABILITIES, CONSULT YOUR TRACTOR MANUFACTURER. OPERATION OF THIS CART WITH WEIGHTS EXCEEDING YOUR TRACTOR'S CAPACITY MAY CAUSE DAMAGE TO THE TRANSMISSION OR ENGINE AND MAY CAUSE DIFFICULTY IN BRAKING."

LIMITED WARRANTY

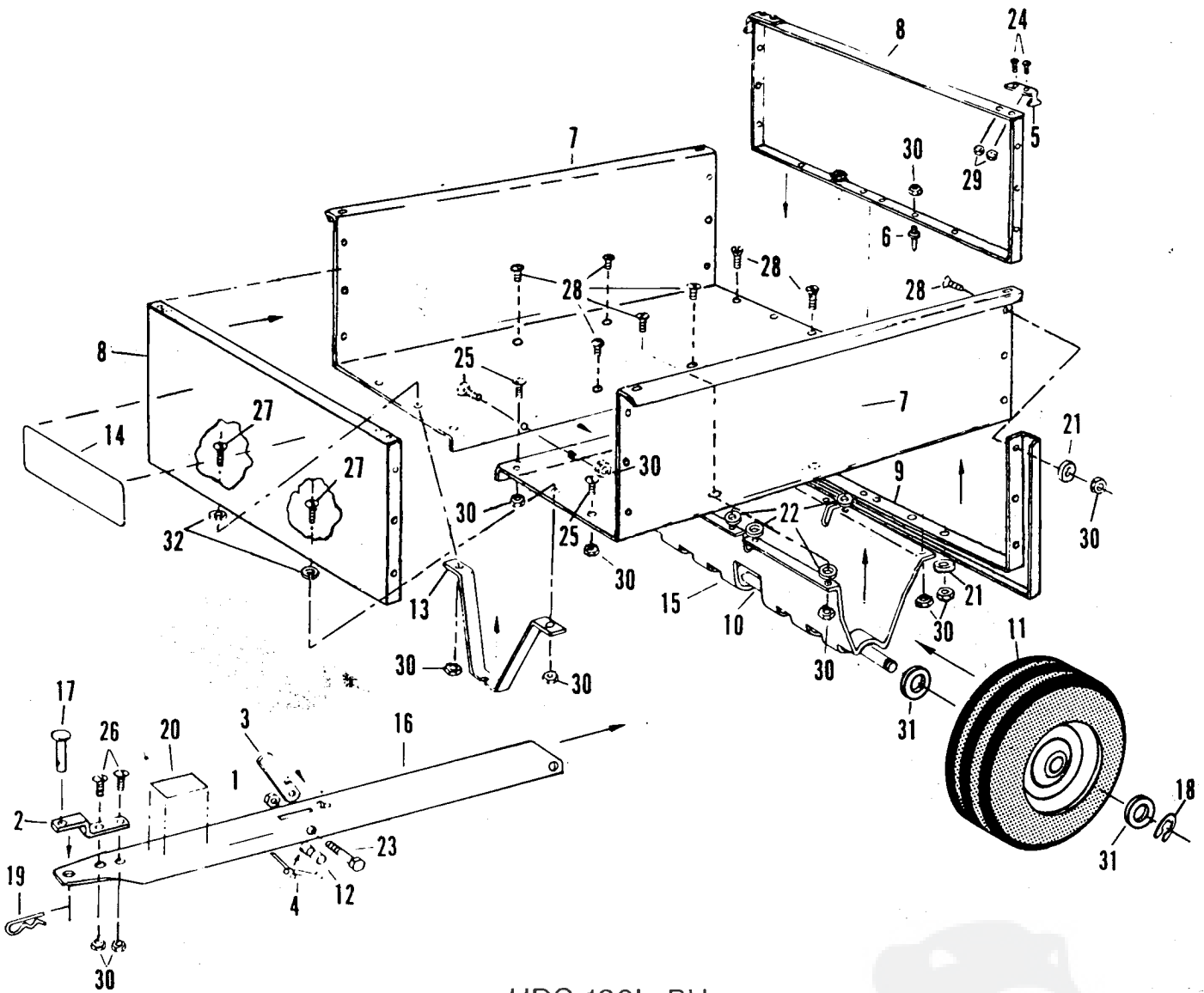
Brinly-Hardy Company warrants only to the original retail purchaser that this product will remain free of defects in workmanship and materials under normal use and service for a period of two (2) years (NOTE: ninety (90) days for commercial or rental use) commencing with the date of purchase.

Any parts found to be defective within the warranty period will be replaced, with proof of date of purchase, at Brinly-Hardy Company's expense. Our obligation under this warranty is expressly limited to replacement or repair, at our option of parts which are defective in material or workmanship within thirty (30) days of receipt of the parts. This warranty does not apply to damage caused by unreasonable use, including failure to provide necessary maintenance, nor does it apply to any transportation or labor charges.

WE MAKE NO OTHER EXPRESS WARRANTY NOR IS ANYONE AUTHORIZED TO MAKE ANY ON OUR BEHALF. ANY IMPLIED OR STATUTORY WARRANTIES, INCLUDING ANY WARRANTY OF MERCHANTABILITY OR FITNESS FOR A PARTICULAR PURPOSE, ARE LIMITED TO THE DURATION OF THIS WRITTEN WARRANTY. WE SHALL NOT BE LIABLE FOR CONSEQUENTIAL OR INCIDENTAL DAMAGES OF ANY KIND.

BRINLY-HARDY COMPANY (502) 585-3351

MADE IN U.S.A.



HDC-160L BH PARTS LIST

REF. NO.	PART NO.	DESCRIPTION	QTY.	REF. NO.	PART NO.	DESCRIPTION	QTY.
1	B-1675P	Hex Lock Nut, 3/8"	1	17	B-3861	Drawbar Pin, 1/2" x 2-1/4"	1
2	B-3034-10	Clevis	1	18	B-4305	"E" Ring, 3/4"	2
3	B-3301-10	Lock Bar (Handle)	1	19	D-146P	Hairpin Cotter, 1/8"	1
4	B-3303	Spring (For Handle)	1	20	B-5482	Caution Decal	1
5	B-3306-01	Gate Lock Bracket	2	21	R-618	Special Flat Washer	10
6	B-3307	Gate Retainer Pin	2	22	45M2121P	Flat Washer, 5/8"	8
7	B-5443-10	Bed Half, R/L	2	23	1M1256P	Hex Head Bolt, 3/8" x 3-1/2"	1
8	B-5444-10	End Panel, F/R	2	24	20M0808P	Round Head Screw, 1/4" x 1/2"	4
9	B-5445-10	Support Channel	1	25	20M1008P	Round Head Screw, 5/16" x 1/2"	14
10	B-4261	Axle	1	26	20M1012P	Round Head Screw, 5/16" x 3/4"	2
11	B-4304	Wheel (14 PSI Tire Pressure)	2	27	20M1016P	Round Head Screw, 5/16" x 1"	2
12	B-3305	Handle Spacer	2	28	26M1012P	Flat Head Screw, 5/16" x 3/4"	18
13	B-3520-10	Lock Bracket	1	29	B-4785	Nylon Insert Nut, 1/4"	4
14	B-5448	Logo Decal	1	30	B-4786	Nylon Insert Nut, 5/16"	38
15	B-3308-10	Axle Support Bracket	1	31	45M2525P	Flat Washer, 3/4"	4
16	B-3411A-10	Drawbar	1	32	40M1000P	Lock Washer, 5/16"	2