

SINCE 1839

**BRINLY**

MANUEL DU PROPRIÉTAIRE  
MANUAL DEL PROPIETARIO

# OWNER'S MANUAL

## ***PUSH/TOW POLY CART***

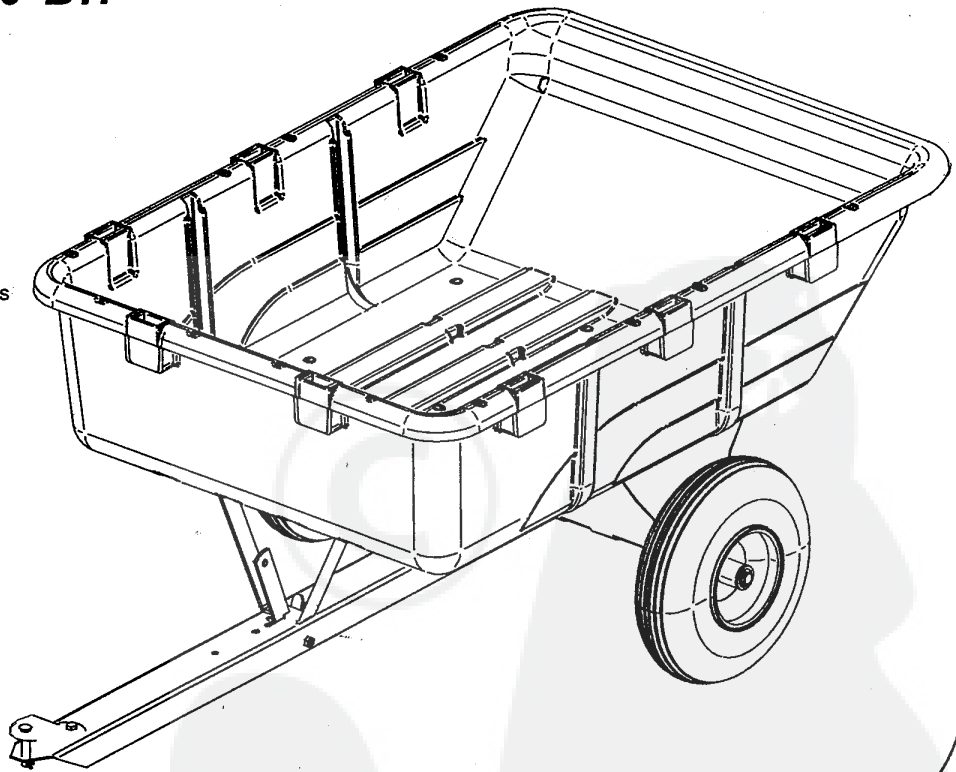
**MODEL:**

***PC-10 BH***

***PCT-10 BH***

- Assembly
- Installation
- Operation
- Repair Parts

For use with Riders  
and Lawn/Garden Tractors



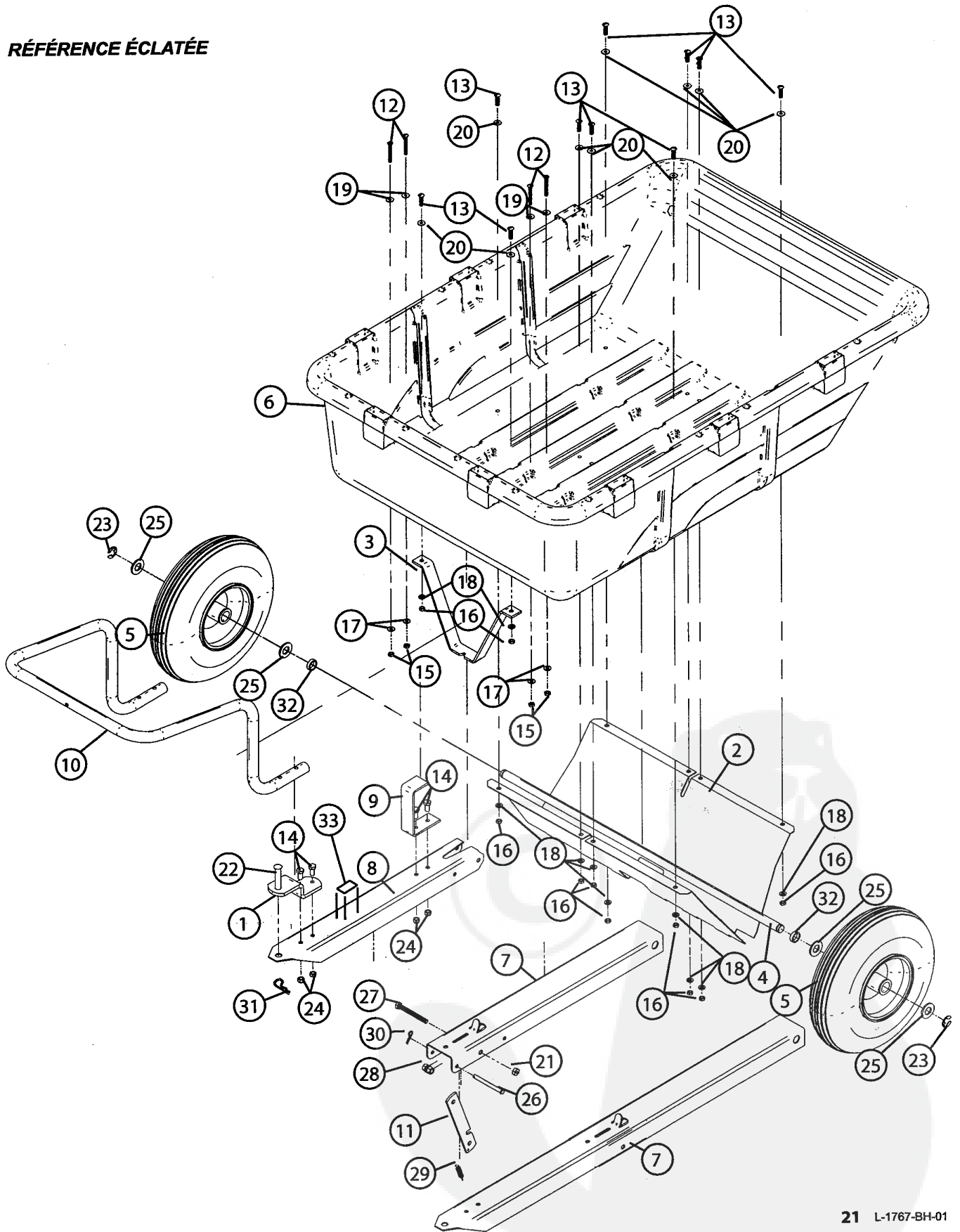
For the latest product updates and setup tips:

Visit us on the web!  
[www.brinly.com](http://www.brinly.com)

Important: This manual contains information for the safety of persons and property. Read it carefully before assembly and operation of the equipment!

L-1767-BH-01

RÉFÉRENCE ÉCLATÉE



**Parts Reference**

**Parts List**

**PCT-10 BH**

REF. NO.	PART NO.	DESCRIPTION	QTY.
1	B-3034-10	Clevis	1
2	B-3308-10	Axle Support	1
3	B-3520-10	Lock Bracket	1
4	B-4261	Axle	1
5	B-4600	Wheel Assembly	2
6	B-6603-BH	Poly Bed	1
7	B-6296-10	Towbar	1
11	B-6288-10	Lock Bar	1
13	20M1016P	5/16" x 1" RD HD Mach. Screw	12
16	30M1000P	5/16"-18 Reg Hex Nut	12
18	40M1000P	5/16" Med Lock Washer	12
20	45M1111P	5/16" SAE Flat Washer	10
21	B-1675P	3/8"-16 Hex Lock Nut	1
22	B-3861	Hitch Pin (1/2" Dia. x 2-1/2)	1
23	B-4305	Retaining Ring, 3/4" E-Type	2
25	B-5606	3/4" Mach. Bushing	4
27	B-6298	Hex Bolt, 3/8" x 3-3/4" Full Thr.	1
28	B-6299	3/8"-16 Keps Nut	2
29	B-6300	Latch Spring	1
31	D-146P	Hair Pin Cotter 1/8"	1
*32	B-4421	Spacers	2
33	B-5482	Decal-Caution	1

To Order Parts Call:  
877-728-8224

Visit us on the web:  
www.brinly.com

**PC-10 BH**

REF. NO.	PART NO.	DESCRIPTION	QTY.
1	B-3034-10	Clevis	1
2	B-3308-10	Axle Support	1
3	B-3520-10	Lock Bracket	1
4	B-4261	Axle	1
5	B-4600	Wheel Assembly	2
6	B-6218-BH	Poly Bed	1
7	B-6219-10	Towbar, Rear	1
8	B-6220-10	Towbar, Front	1
9	B-6221-10	Stand	1
10	B-6223-10	Handle, Cart	1
11	B-6288-10	Lock Bar	1
12	20M0832P	1/4" x 2" RD HD Mach. Screw	4
13	20M1016P	5/16" x 1" RD HD Mach. Screw	10
14	2M1012P	5/16"-18 x 3/4" Hex Bolt	4
15	30M0800P	1/4"-20 Reg Hex Nut	4
16	30M1000P	5/16"-18 Reg Hex Nut	10
17	40M0800P	1/4" Med Lock Washer	4
18	40M1000P	5/16" Med Lock Washer	10
19	45M0909P	1/4" SAE Flat Washer	4
20	45M1111P	5/16" SAE Flat Washer	10
21	B-1675P	3/8"-16 Hex Lock Nut	1
22	B-3861	Hitch Pin (1/2" Dia. x 2-1/2)	1
23	B-4305	Retaining Ring, 3/4" E-Type	2
24	B-4786	5/16"-18 Nylon Lock Nut	4
25	B-5606	3/4" Mach. Bushing	4
26	B-5931	Clevis Pin, 5/16" Dia. x 3-1/2"	1
27	B-6298	Hex Bolt, 3/8" x 3-3/4" Full Thr.	1
28	B-6299	3/8"-16 Keps Nut	2
29	B-6300	Latch Spring	1
30	B-983	Hairpin Cotter, .08	1
31	D-146P	Hair Pin Cotter 1/8"	1
32	B-4421	Spacers	2
33	B-5482	Decal-Caution	1

