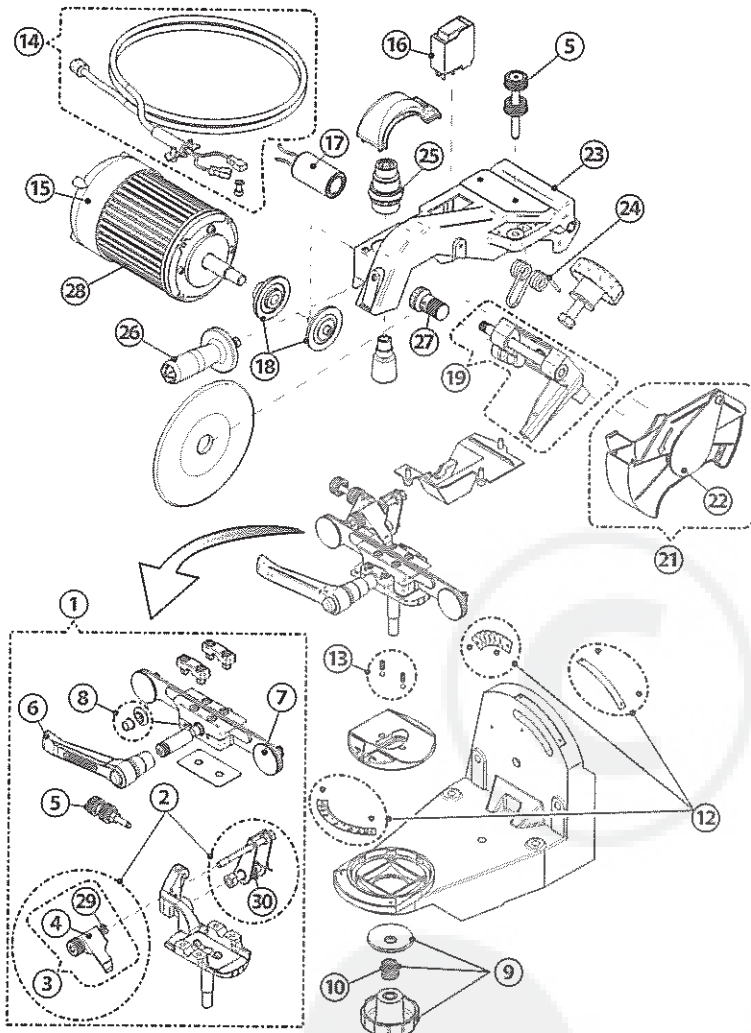


JOLLYStar

electric chain grinder 120 V - 230 V



SPARE PARTS



P/N	DESCRIPTION	ORDER MULTIPLES OF:
1	K00200169 Complete vise assembly	1 pc
2	K00200356 Chain hold kit	1 pc
3	K00200193 Chain stop, vise assy	1 pc
4	K00200350 Chain stop	5 pcs
5	K00200357 Adjustment knobs, kit	1 pc
6	K00200141 Lever, vise assy chain locking	1 pc
7	K00200175 Vise jaws, vise assy	1 pc
8	K00200176 Vise bushing, vise assy	1 pc
9	K00200342 Vise locking kit	1 pc
10	K00200180 Spring	10 pcs
12	K00200333 Scales Kit	1 pc
13	K00200179 Spring and ball kit	1 pc
14	K00200145 Cable kit complete with plug - 120V~	1 pc
	K00200160 Cable kit complete with plug - 230V~	1 pc
	K00200161 Cable kit complete with plug-230V- CH	1 pc
	K00200162 Cable kit complete with plug-230V- AUS	1 pc
15	K00200155 End motor bell	1 pc
16	K00200151 Switch - 120V~	1 pc
	K00200157 Switch - 230V~	1 pc
17	K00200152 Capacitor 8 Micro-Farad - 120V~	1 pc
	K00200158 Capacitor 8 Micro-Farad - 230V~	1 pc
18	K00200355 Motor flange kit (outer and inner)	1 pc
19	K00200184 Bracket, arm support	1 pc
21	K00200139 Shield wheel protector	1 pc
22	K00200140 Shield kit	1 pc
23	K00200136 Arm, complete	1 pc
24	K00200154 Spring, arm return	5 pcs
25	K00200146 Light socket E12 w/wires - 120V~	1 pc
	1135264 Light socket E14 w/wires - 230V~	1 pc
26	K00200147 Handle kit	1 pc
27	K00200149 Safety pin	5 pcs
28	K00200144 E-Motor - 120V~	1 pc
	K00200159 E-Motor - 230V~	1 pc
29	K00200351 Spring	5 pcs
30	K00200352 Spring	10 pcs

PACKAGING:
Nylon Bag

