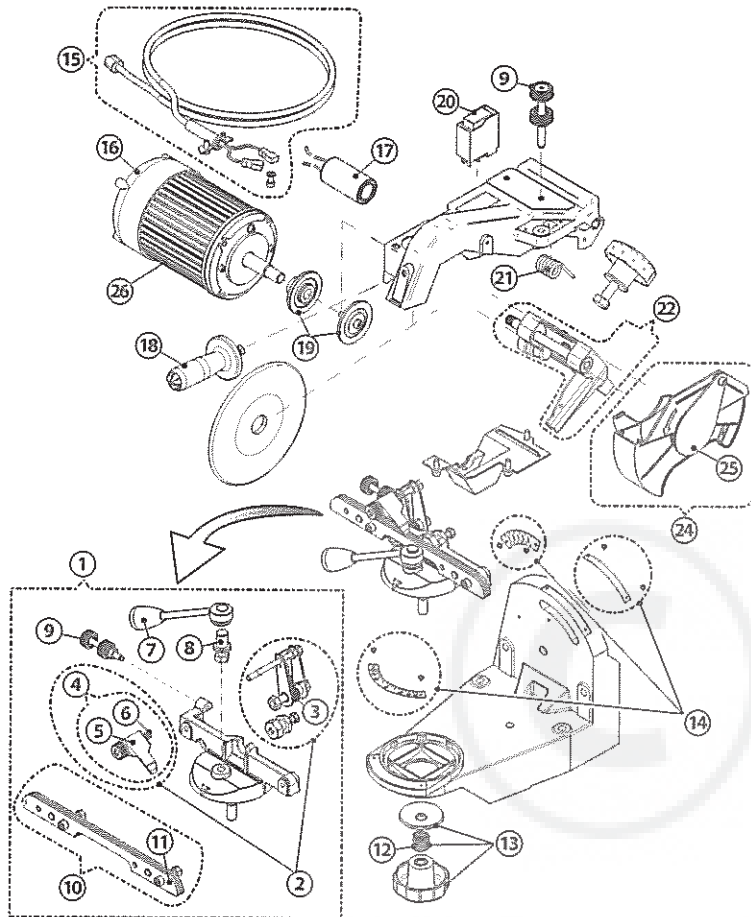


COMPACT electric chain grinder 120 V - 230 V



SPARE PARTS



P/N	DESCRIPTION	ORDER MULTIPLES OF:
1 K00200203	Complete vise assembly	1 pc
2 K00200356	Chain hold kit	1 pc
3 K00200352	Spring	10 pcs
4 K00200193	Chain stop, vise assy	1 pc
5 K00200350	Chain stop	5 pcs
6 K00200351	Spring	5 pcs
7 K00200197	vise handle	1 pc
8 K00200199	cam post	1 pc
9 K00200357	Adjustment knobs, kit	1 pc
10 K00200196	vise jaws	1 pc
11 K00200353	chain vise spacers	10 pcs
12 K00200180	Spring	10 pcs
13 K00200342	Vise locking kit	1 pc
14 K00200333	Scales Kit	1 pc
15 K00200145	Cable kit complete with plug - 120V~	1 pc
K00200160	Cable kit complete with plug - 230V~	1 pc
K00200161	Cable kit complete with plug-230V~ CH	1 pc
K00200162	Cable kit complete with plug-230V~ AUS	1 pc
16 K00200155	End motor bell	1 pc
17 K00200152	Capacitor 8 Micro-Farad - 120V~	1 pc
K00200158	Capacitor 8 Micro-Farad - 230V~	1 pc
18 K00200147	Handle kit	1 pc
19 K00200355	Motor flange kit (outer and inner)	1 pc
20 K00200151	Switch - 120V~	1 pc
K00200157	Switch - 230V~	1 pc
21 K00200201	Spring, arm return	50 pcs
22 K00200184	Bracket, arm support	1 pc
24 K00200195	Shield wheel protector	1 pc
25 K00200140	Shield kit	1 pc
26 K00200144	E-Motor - 120V~	1 pc
K00200159	E-Motor - 230V~	1 pc

PACKAGING:
Nylon Bag

