

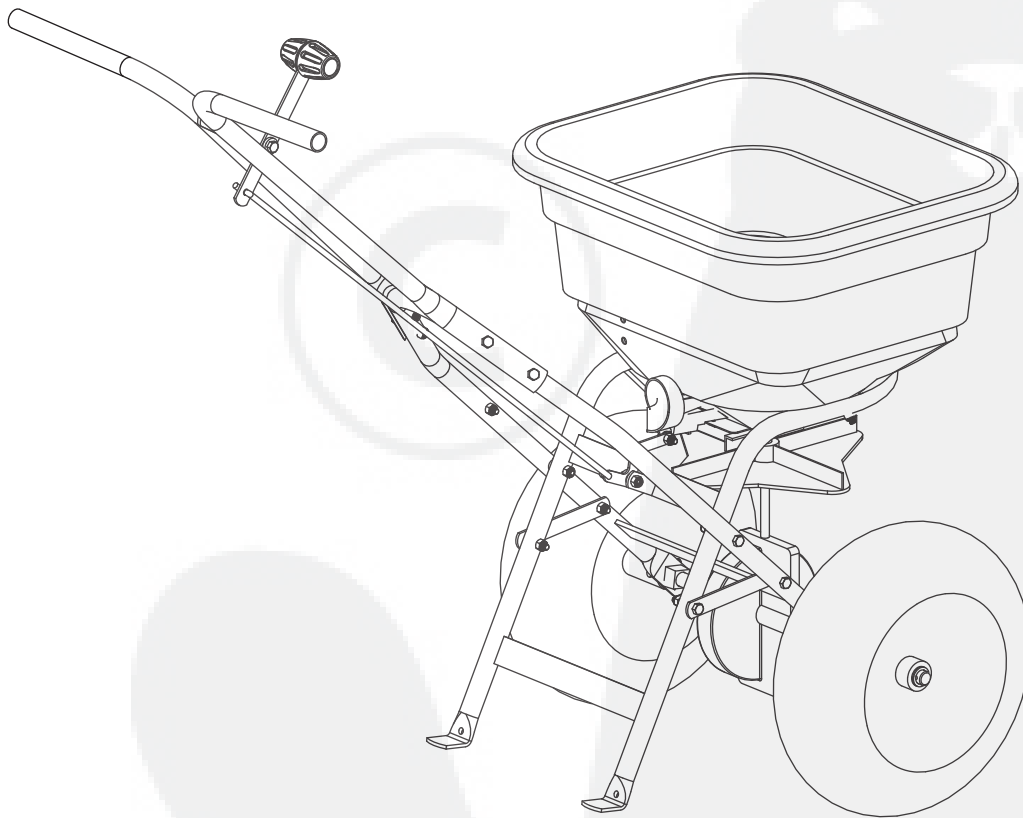


---

# Operator's Manual

---

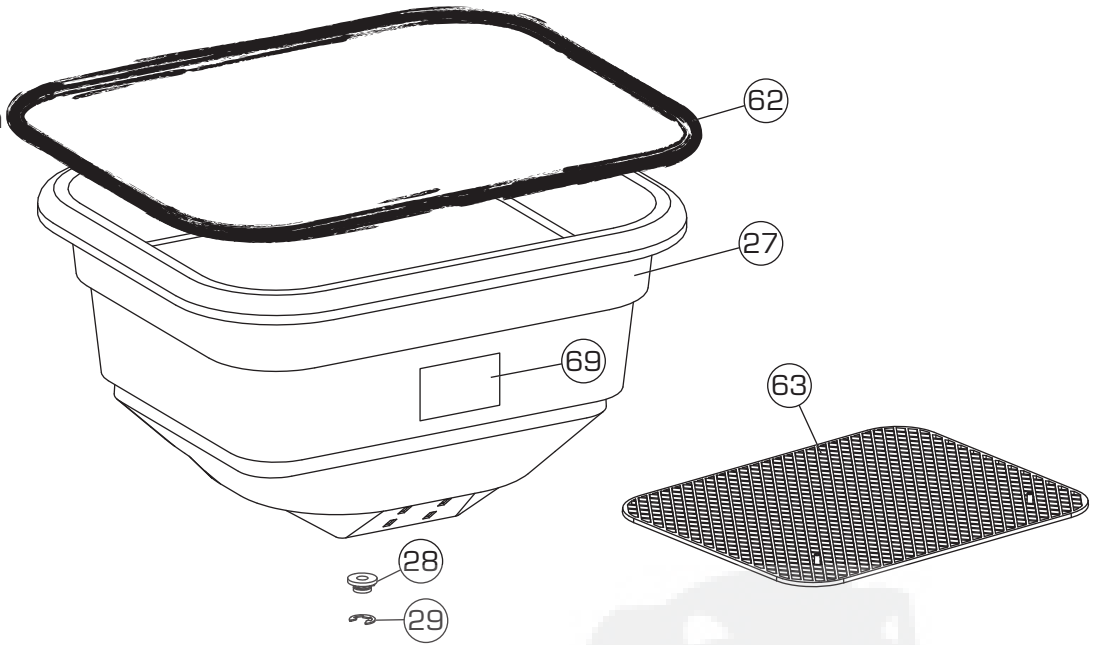
## Model P40/S40 Series



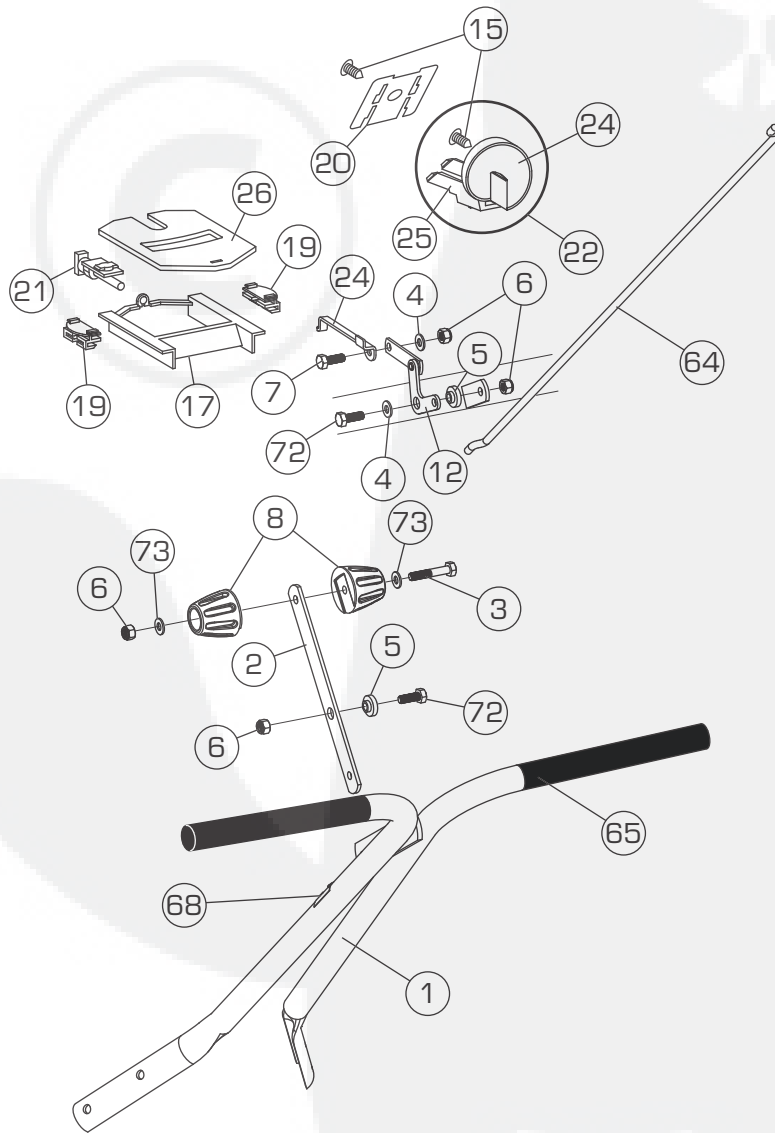
**▲IMPORTANT** This manual contains information for the safety of persons and property. Read it carefully before assembly and operation of the equipment!

**Spyker Spreaders**  
**Contact Us at 800.972.6130**

### Hopper Explosion

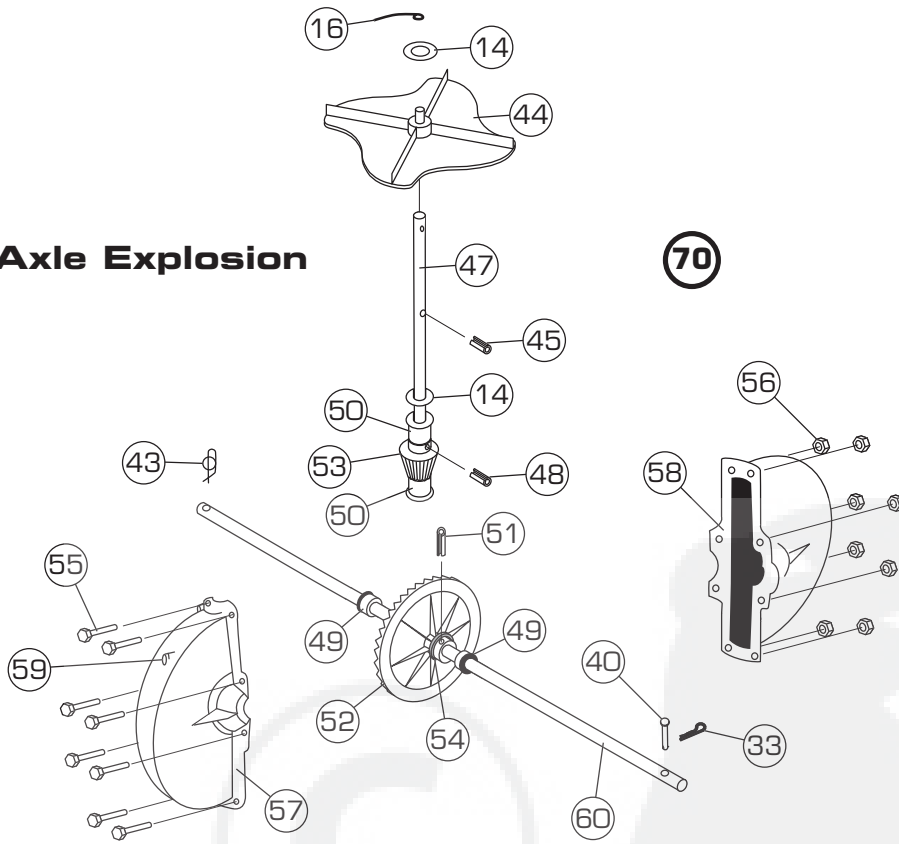


### Rate Gate and Deflector Explosion

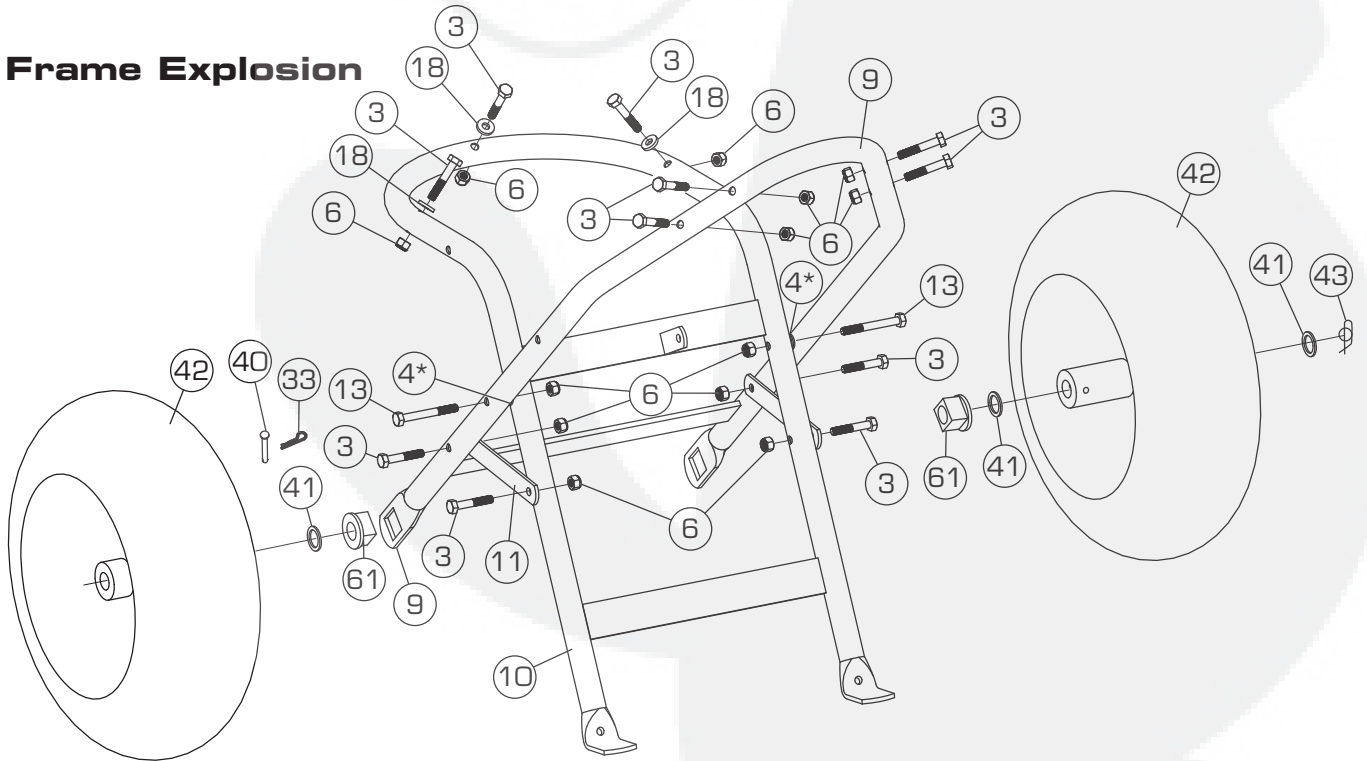


### Handle Explosion

## Spinner/Axle Explosion



## Frame Explosion



\*As needed for shimming

Item	Part Number	Qty	Description	Item	Part Number	Qty	Description
1	1007770-01	1	Handle Stainless	35	N/A		Number Not Used
	1008052-10	1	Handle Painted	36	N/A		Number Not Used
2	1007773	1	Control Lever	37	N/A		Number Not Used
3	05-90-0054	12	1/4" x 1-1/2" Bolt, SS	38	N/A		Number Not Used
4	05-92-0008	6	1/4" Washer, SS	39	N/A		Number Not Used
5	05-94-0051	2	Nylon Flange Bushing	40	05-90-0065	1	3/16" x 1-3/4" Clevis Pin
6	SS-91-0004	17	1/4" Nylon Locknut, SS	41	05-92-0004	3	Flat Washer, SS
7	05-90-0121	1	1/4" x 3/4" Bolt, SS	42	05-95-0016-JD	2	Wheel
8	1007828	2	Knob Half	43	05-90-0040	1	Rue Ring Locking Pin
9	1007774-01	1	Axle Support Stainless	44	SS-94-0012	1	Spreading Spinner
	1008055-10	1	Axle Support Painted	45	SS-90-0002	1	1/8" x 7/8" Roll Pin
10	1007777-01	1	Hopper Support Stainless	46	N/A		Number Not Used
	1008058-10	1	Hopper Support Painted	47	05-97-0037	1	Spinner Shaft, SS
11	1007794	2	Cross Brace Stainless	48	SS-90-0001	1	1/8" x 3/4" Roll Pin
	1008061-10	2	Cross Brace Painted	49	05-90-0093	2	5/8" Gearbox Bushing
12	1007811	1	Control Linkage Assembly	50	05-90-0094	2	3/8" Spinner Shaft Bushing
13	1007888	2	1/4" x 2-1/4" Bolt, SS	51	05-90-0096	1	3/16" x 1" Dowel Pin, SS
14	SS-92-0002	2	Felt Washer	52	05-94-0033	1	Bevel Gear
15	05-94-0078	2	Pine Tree Clip	53	05-94-0034	1	Pinion Gear
16	SS-96-0003	1	Agitator Wire	54	05-288-1027	1	Nylon Spacer Retaining Pin
17	05-94-0043	1	Accuway® Diffuser	55	05-90-0097	8	#10 x 5/8" Flanged Head Bolt, SS
18	05-94-0064	5	Nylon Washer	56	05-91-0008	8	#10 Nylon Locknut, SS
19	05-94-0097	2	Rate Gate Guide	57	05-94-0037	1	Gear Box Cover Front
20	05-48-1015	1	Dial Mount Retainer	58	05-94-0038	1	Gear Box Cover Rear
21	05-46-2211-T	1	Accuway® Screw Assembly	59	05-98-0111	1	Grease Zerk
22	05-48-1113-T	1	Rate Gate & Dial Assy	60	1007781	1	Axle
23	SS-94-0006	1	Plastic Dial	61	F-283	2	Axle Bearing
24	1008431-01	1	Rate Gate Link	62	05-94-0065	1	Hopper Cover
25	05-94-0099	1	Dial Mount	63	1008022	1	Screen
26	05-94-0068	1	Rate Gate	64	05-46-1014	1	Control Rod
27	1007847	1	Hopper	65	SS-94-0013	2	Handle Grip
28	F-574	1	Bearing	66	N/A		Number Not Used
29	B1HF577	1	5/8" E-Ring	67	N/A		Number Not Used
30	N/A		Number Not Used	68	05-99-0063	1	On-off Decal
31	N/A		Number Not Used	69	05-93-0075	1	Spyker Accuway® Label
32	N/A		Number Not Used	70	1007818	1	Spinner/Axle Assembly
33	05-90-0102	1	Hairpin Cotter, SS	71	N/A		Number Not Used
34	N/A		Number Not Used	72	1001255	2	1/4" x 1" Bolt, SS
				73	1001554	2	Nylon Washer