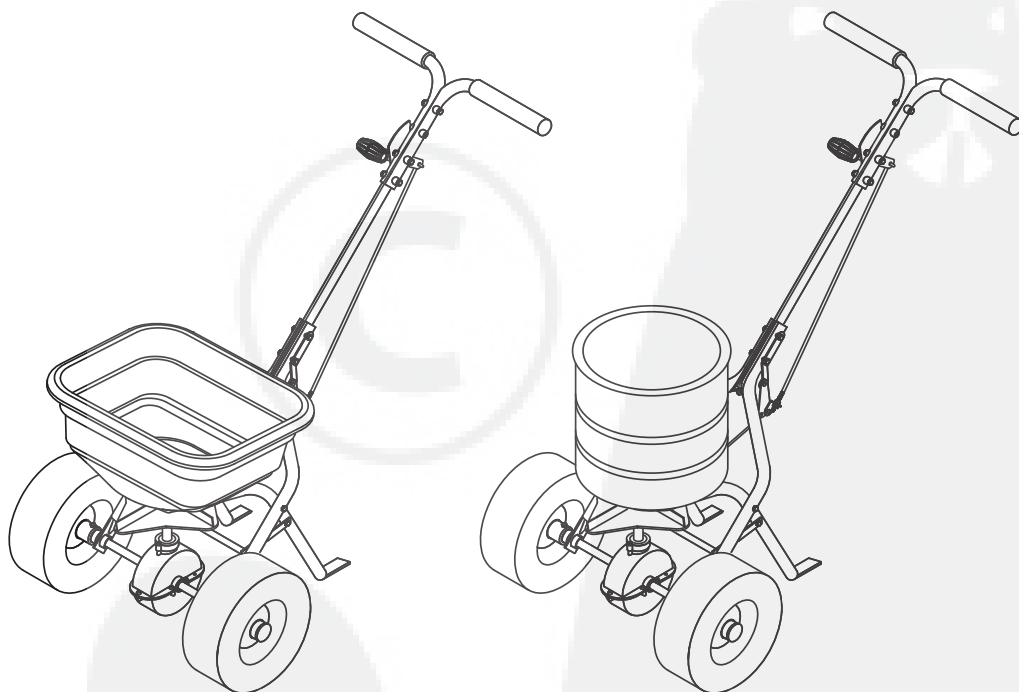




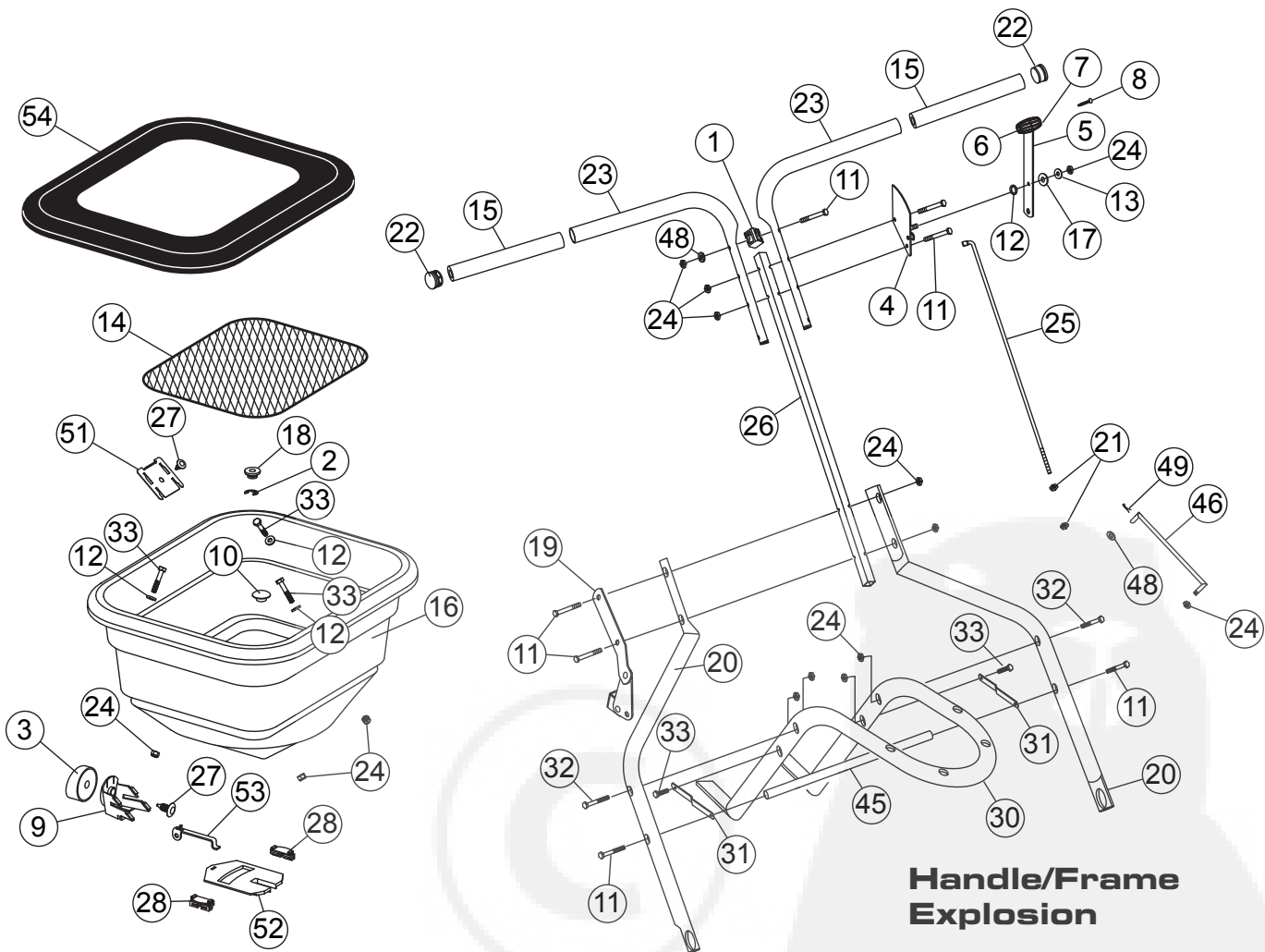
Operator's Manual

Model P20-5010/P20-9010 Series

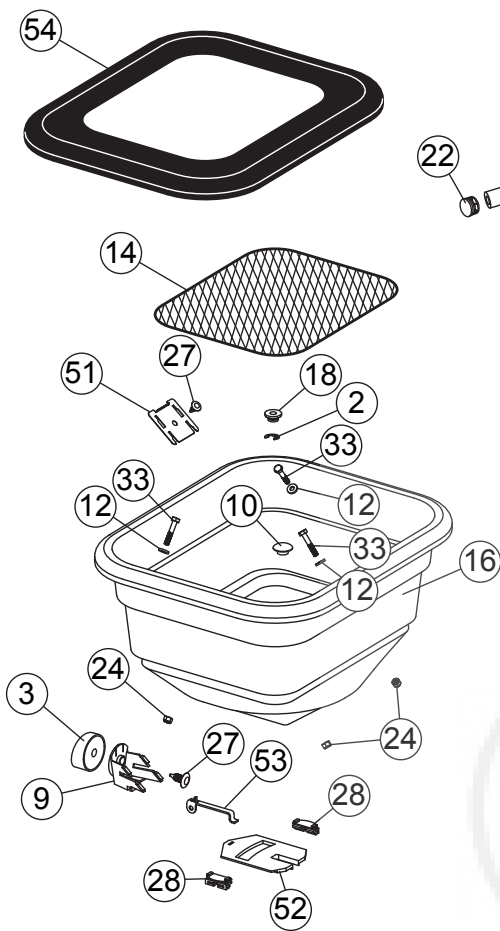


▲IMPORTANT This manual contains information for the safety of persons and property. Read it carefully before assembly and operation of the equipment!

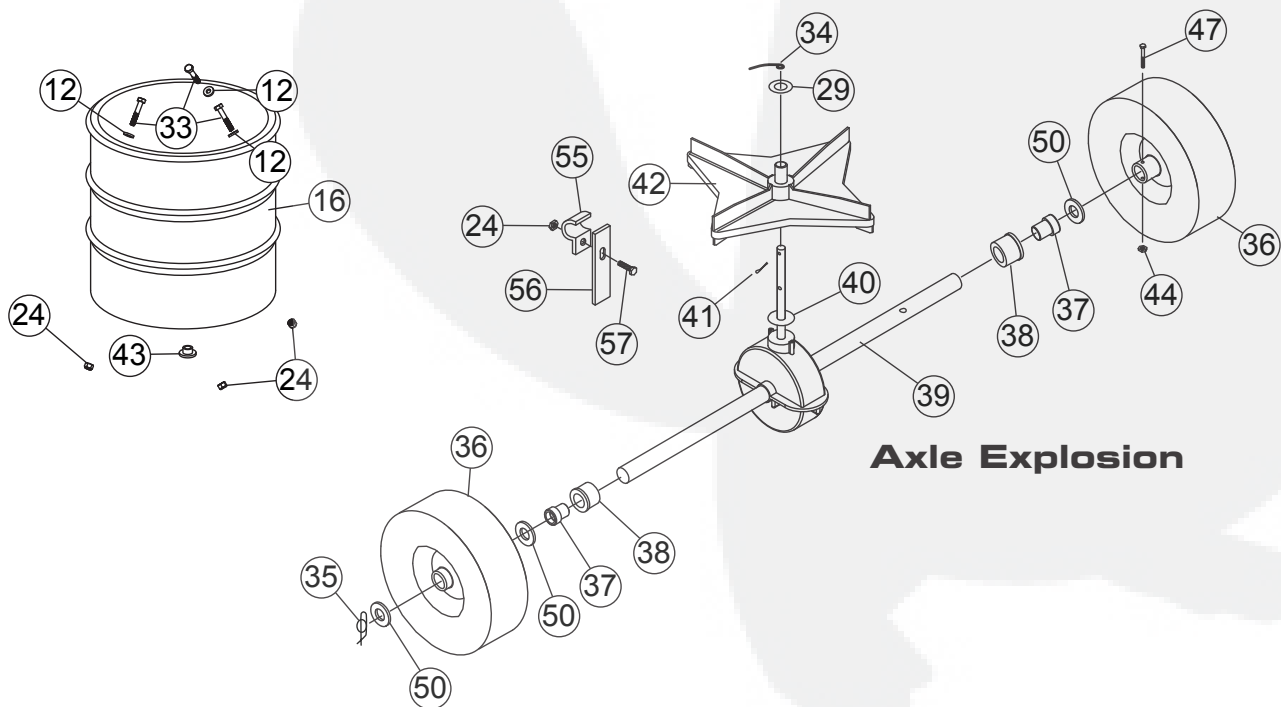
Spyker Spreaders
Contact Us at 800.972.6130



**Handle/Frame
Explosion**



Hopper Explosion



Axle Explosion

Item	Part #	Qty	Description
1	1007081	1	Handle spacer
2	F-577	1	E-Ring
3	1000213	1	Dial
4	1008028	1	Gauge Plate
5	1008156	1	Adjust handle
6	1007086	1	Adjust handle knob side 1
7	1007087	1	Adjust handle knob side 2
8	1007088	1	Screw, M4 x 18 SS
9	1001587	1	Dial Mount Plastic Hopper
	1000211	1	Dial Mount Metal Hopper
10	1001590	1	Diffuser Plug (Plastic Hopper)
11	1007091	7	Bolt, M6 x 45 SS
12	1007092	4	Nylon washer
13	1007093	1	Flat washer, M6, big SS
14	1008022	1	Screen For Plastic Hopper
15	1007095	2	Handle cover
16	1007892	1	Plastic Hopper Black
	1000204	1	Metal Hopper
17	1008207	1	Lockwasher, M6 SS
18	F-574	1	Hopper bushing
19	1008196	1	Pivot and bracket assembly
20	1007100	2	Wheel frame tube
21	1008206	2	Nut, Nylon Lock M8 SS
22	1007102	2	End cover
23	1007103	2	Upper handle
24	1007104	14	Lock nut, M6 SS
25	1008013	1	Control rod A
26	1007106	1	Handle shaft
27	1000215	2	Pine Tree Clip
28	1001588	2	Rate Gate Guide Plastic Hopper
	1000202	2	Rate Gate Guide Metal Hopper

Item	Part #	Qty	Description
29	1000198	1	Felt Washer
30	1008011	1	Frame
31	1007111	2	Frame brace
32	1007112	2	Bolt, M6 x 60 SS
33	1007113	5	Bolt, M6 x 35 SS
34	1000223	1	Agitator
35	1005414	1	Rue Ring Locking Pin
36	1008027	2	Pneumatic wheel
37	1007117	2	Axle bushing
38	1007118	2	Axle bearing
39	1008010	1	Gearbox & axle assembly
40	1007120	1	Washer
41	1008031	1	Cotter Pin
42	1008209	1	Impeller
43	1000203	1	Bearing, Metal Hopper
44	1007124	1	Hex locknut, M5 SS
45	1007125	1	Cross brace
46	1008014	1	Adjust connect rod, B
47	1008208	1	Hex bolt, M5 x 40 SS
48	1007128	2	Flat washer, M6 SS
49	1008098	1	Cotter Pin, Small
50	1007531	3	Nylon Washer
51	1005993	1	Dial Mount Retainer (Plastic Hopper)
52	1000210	1	Rate Gate
53	1000687-01	1	Rate Gate Link
54	1008110	1	Cover, Square Hopper
55	1008257	1	Bracket, Frame Clamp
56	1008258	1	Bar, Frame Clamp
57	1008276	1	Hex Bolt, M6 x 20 SS