

**shindaiwa<sup>®</sup>**

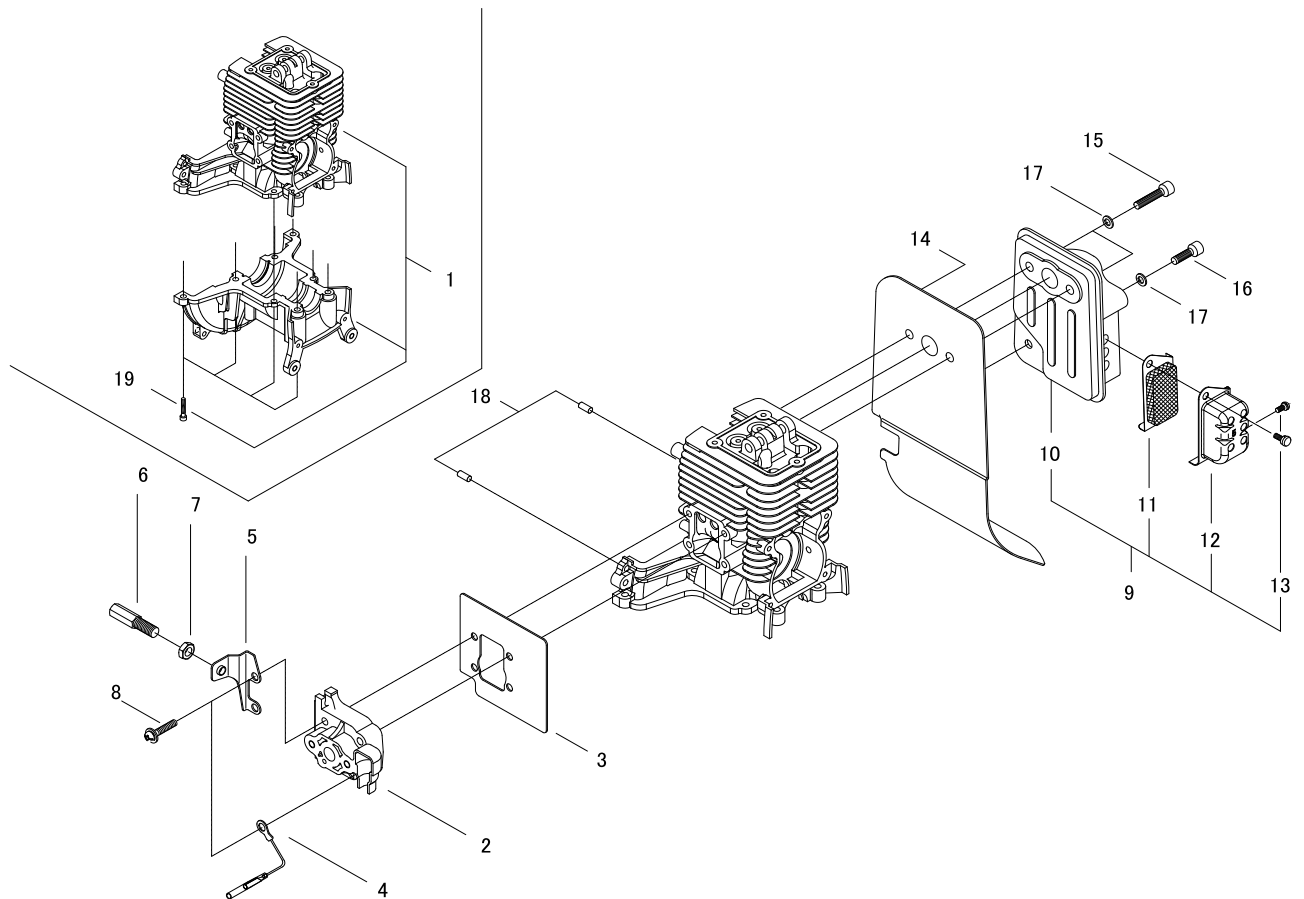
# **PARTS CATALOG**

## **TRIMMER T3410/EC2(37)**

**37005876 -**

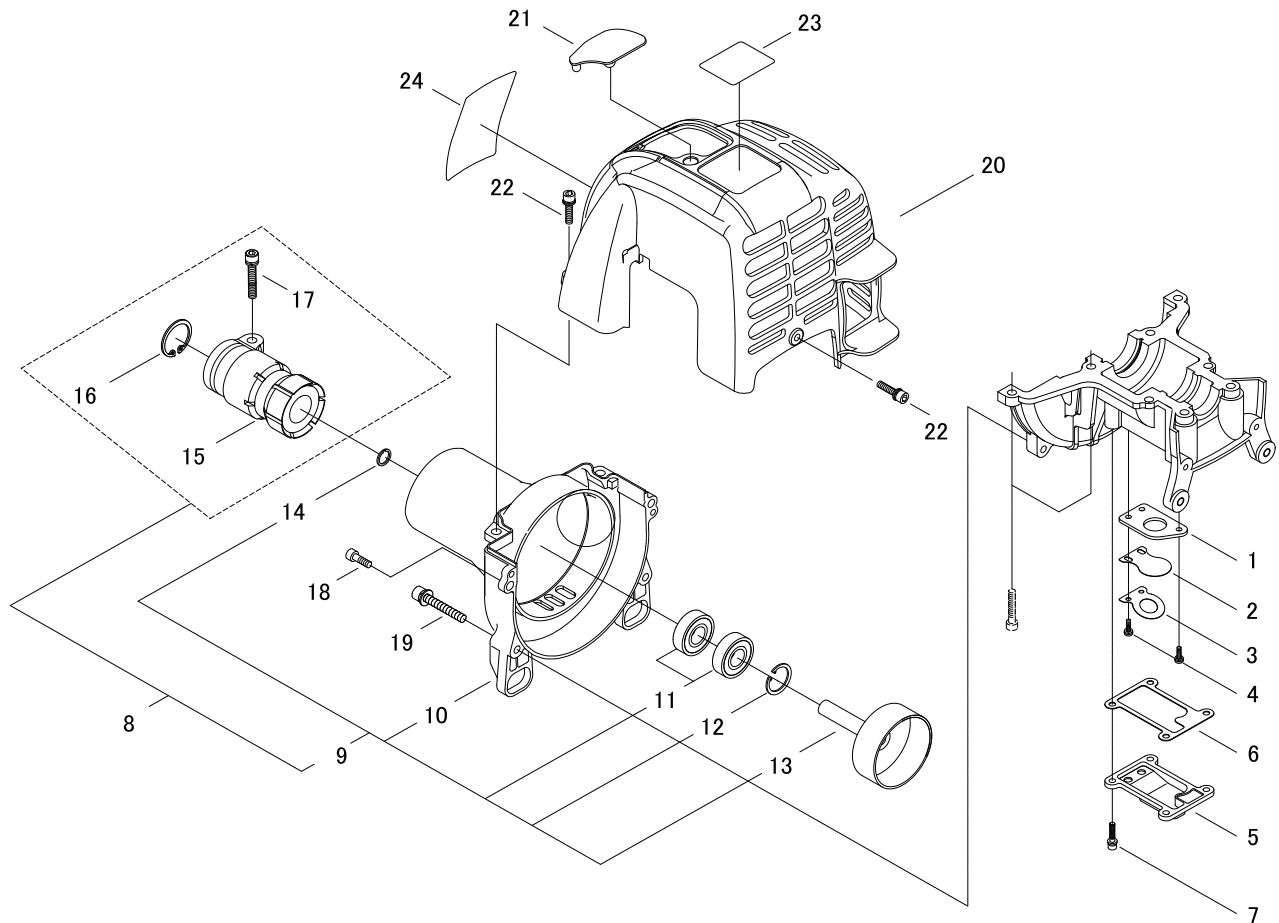
P016-000210-11Bb

# 1. CYLINDER, MUFFLER



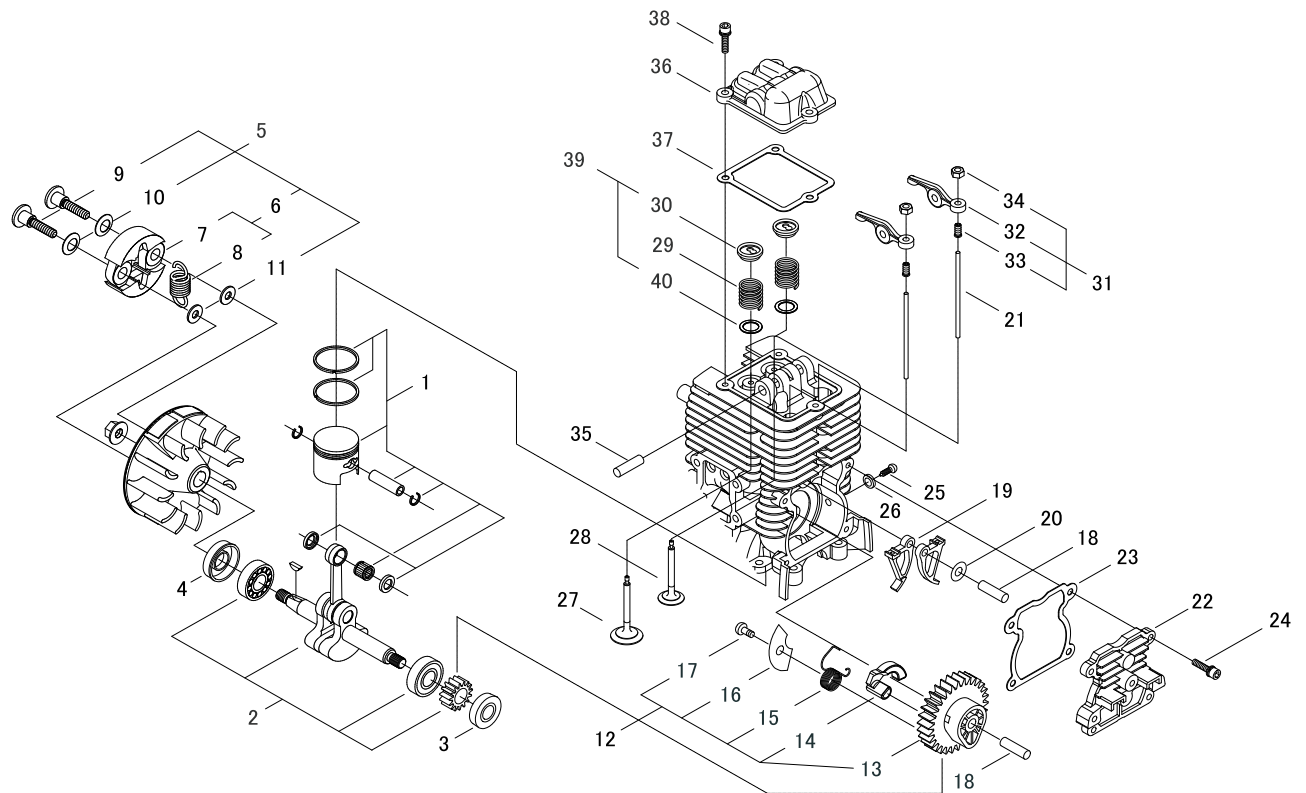
KEY	LV	PART NUMBER	Q'TY	DESCRIPTION	REMARKS	NOTE1	NOTE2
1		P021-027540	1	CYLINDER BLOCK SET			
19	+	900105-05016	8	BOLT, H.S. 5*16	5*16		
2		A024-000020	1	LEAD VALVE			
3		V103-000980	1	GASKET			
4		V485-001260	1	LEAD WIRE	L110		
5		V152-002250	1	BRACKET THROTTLE			
6		C486-000030	1	CABLE ADJUSTER			
7		92018-06000	1	NUT			
8		91582-05025	4	SCREW,PM-SPW			
9		A030-000342	1	MUFFLER ASY			
10	+	A300-001251	1	MUFFLER, EXHAUST			
11	+	A310-000390	1	SCREEN, ARRESTOR			
12	+	A313-001391	1	GUIDE, EXHAUST			
13	+	91572-04006	2	SCREW,PM-SW			
14		V104-001431	1	GASKET,EXHAUST			
15		V203-001000	2	BOLT			
16		900105-05016	1	BOLT, H.S. 5*16	5*16		
17		900600-00005	3	WASHER 5	5		
18		V622-000040	2	ROLLER			

## 2. CRANKCASE, FANCOVER



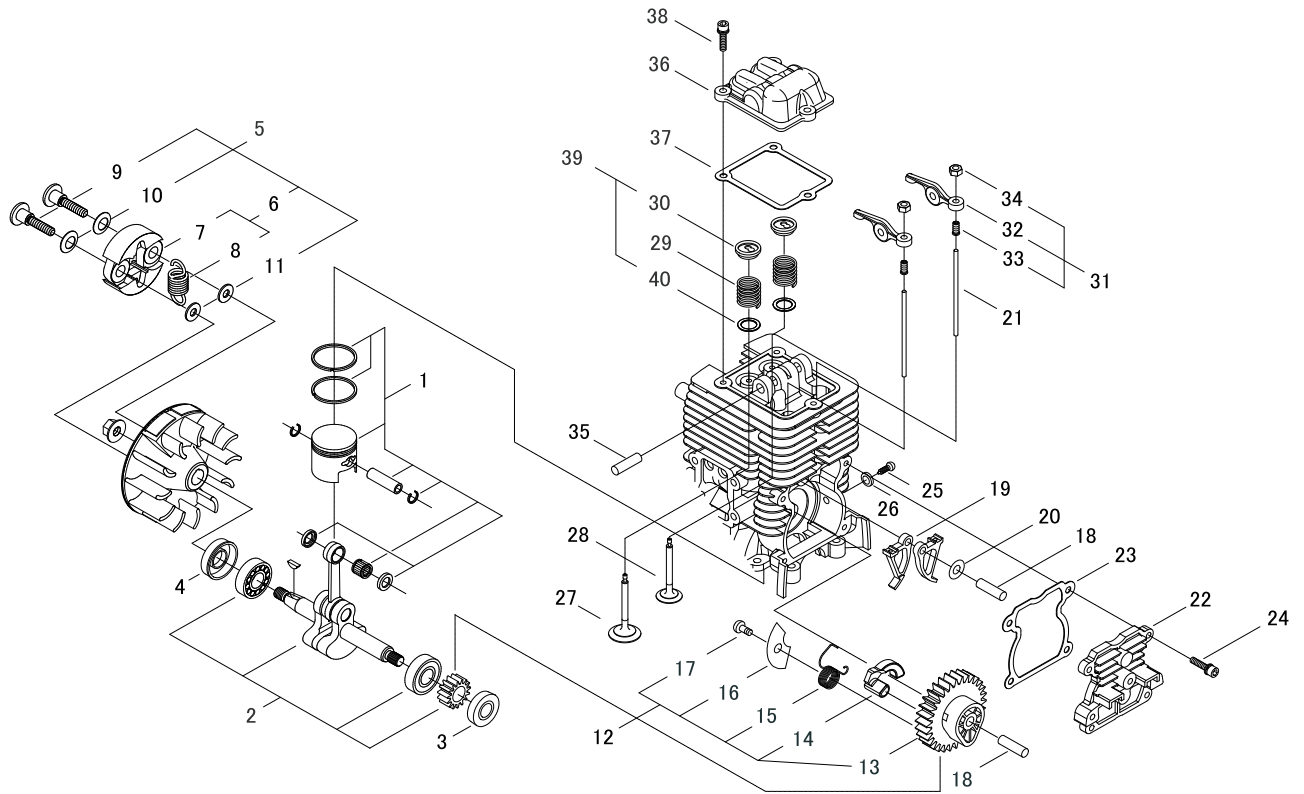
KEY	LV	PART NUMBER	Q'TY	DESCRIPTION	REMARKS	NOTE1	NOTE2
1		A200-000750	1	INSULATOR			
2		A211-000030	1	VALVE, REED			
3		A212-000040	1	STOPPER			
4		91341-03010	3	SCREW-SW	M3*10		
5		A123-000000	1	COVER			
6		V109-000100	1	GASKET			
7		V202-000350	4	BOLT-SPW	M4-14		
8		P021-027551	1	FAN COVER ASSY			
9	+	P021-028491	1	FAN COVER COMP			
10	++	A172-002030	1	COVER, FAN			
11	++	94002-36001	2	BEARING, BALL			
12	++	92424-28000	1	SNAP RING			
13	++	A556-001360	1	DRUM, CLUTCH			
14	++	V583-000170	1	SNAP RING			
15	+	A575-000370	1	JOINT			
16	+	92424-42000	1	SNAP RING	42MM C-RING		
17	+	V203-000620	1	BOLT-SW			
18		900105-05016	2	BOLT, H.S. 5*16	5*16		
19		V203-000530	2	BOLT SW			
20		A160-001622	1	COVER, CYLINDER			
21		A429-000140	1	GROMMET			
22		V202-000350	3	BOLT-SPW	M4-14		
23		X504-002550	1	LABEL TRADE			
24		X504-002530	1	LABEL TRADE			

### 3. PISTON, CRANKSHAFT



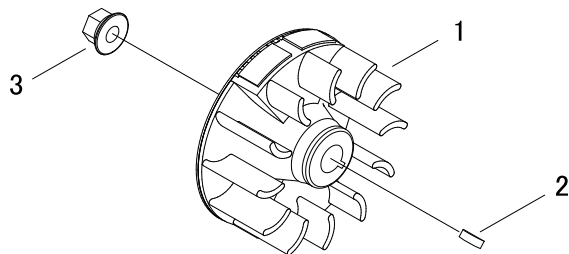
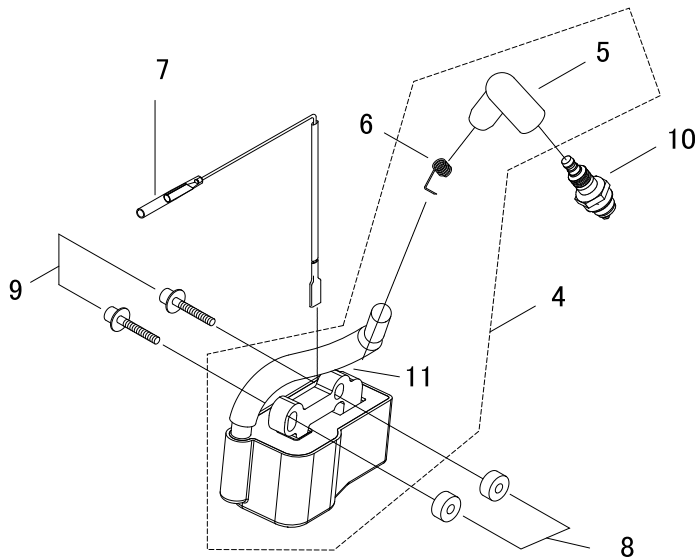
KEY	LV	PART NUMBER	Q'TY	DESCRIPTION	REMARKS	NOTE1	NOTE2
1		P021-033972	1	PISTON SET			
2		A011-000651	1	CRANKSHAFT,ASY			
3		V505-000020	1	SEAL,OIL 12	12*22*7		
4		V505-000060	1	OIL SEAL			
5		A056-000410	1	CLUTCH SHOE ASSY			
6	+	A056-000420	1	CLUTCH SHOE SUB ASSY			
7	++	A553-000120	2	CLUTCH SHOE			
8	++	A566-000110	1	SPRING			
9	+	A557-000080	2	BOLT			
10	+	V346-000040	2	SPRING PLATE			
11	+	V304-000150	2	WASHER			
12		A063-000000	1	CAM GEAR ASSY			
13	+	A622-000000	1	CAM GEAR			
14	+	A146-000000	1	WEIGHT			
15	+	V452-000610	1	COIL SPRING			
16	+	C603-000240	1	PLATE			
17	+	91449-04006	1	SCREW,TAPPING			
18		V623-000030	2	ROLLER	5*L29.8		
19		A600-000001	2	LIFTER			
20		V303-000220	1	WASHER	T0.3		
21		A607-000000	2	PUSH ROD			
22		A136-000000	1	CAM GEAR COVER			
23		V109-000040	1	GASKET			
24		V202-000350	4	BOLT-SPW	M4-14		
25		V253-000540	1	SCREW			
26		V303-000120	1	COLLAR	5.5,10 T=2		

### 3. PISTON, CRANKSHAFT



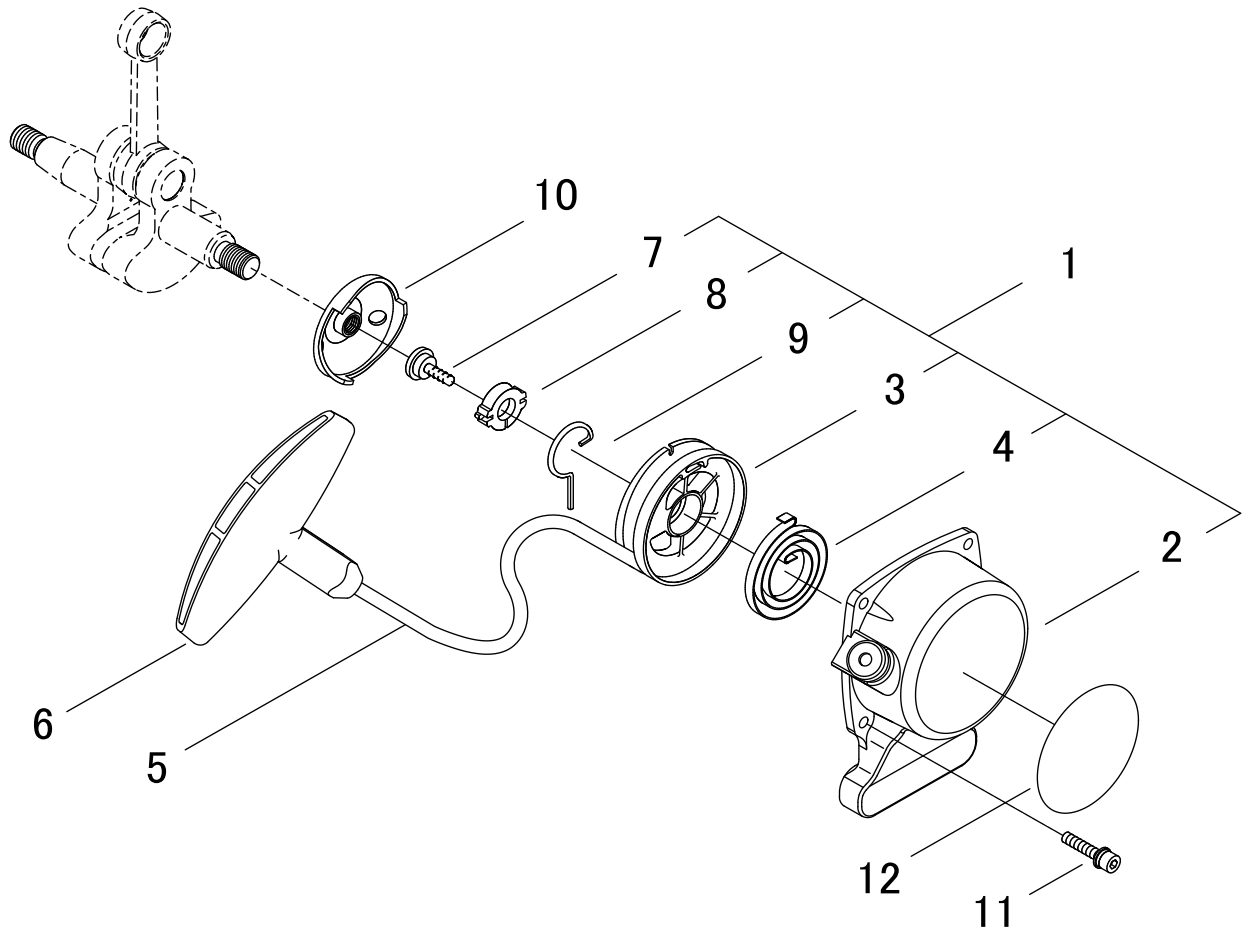
KEY	LV	PART NUMBER	Q'TY	DESCRIPTION	REMARKS	NOTE1	NOTE2
27		A603-000000	1	INTAKE VALVE			
28		A603-000010	1	EXHAUST VALVE			
29		A604-000010	2	VALVE SPRING			
31		A610-000050	2	ROCKER ARM ASSY			
32	+	A610-000060	2	ROCKER ARM			
33	+	A613-000010	2	ADJUST SCREW			
34	+	V263-000230	2	NUT			
35		V623-000010	1	ROLLER	5*L37.8		
36		A137-000000	1	ROCKER ARM COVER			
37		V109-000050	1	GASKET			
38		V202-000350	3	BOLT-SPW	M4-14		
39		P021-027590	1	RETAINER SET			
30	+	A606-000040	2	RETAINER			
40	+	V392-000030	2	PLATE			

## 4. MAGNETO



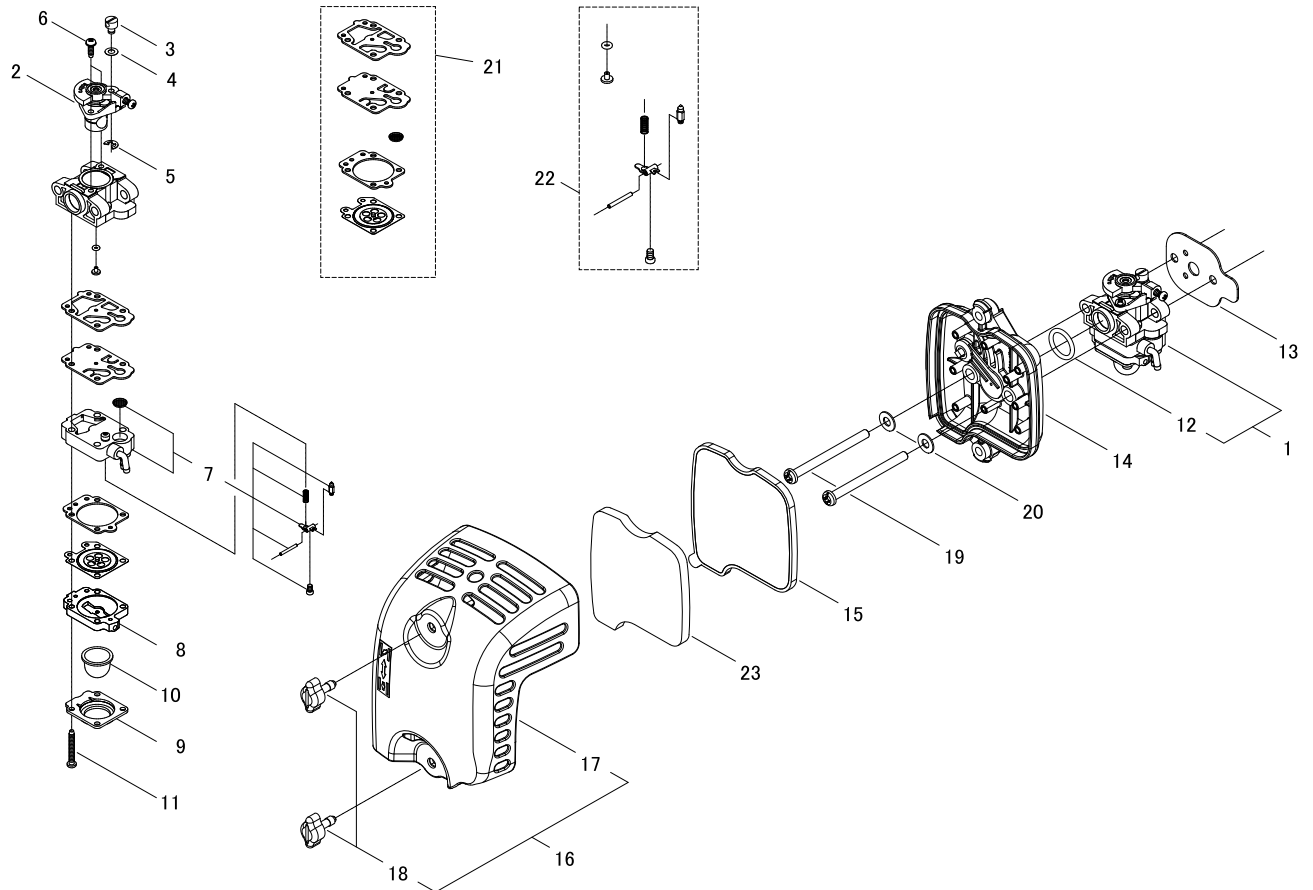
KEY	LV	PART NUMBER	Q'TY	DESCRIPTION	REMARKS	NOTE1	NOTE2
1		A409-000630	1	ROTOR			
2		93115-03010	1	KEY	3*10		
3		V265-000140	1	NUT			
4		A411-000770	1	COIL ASSY			
5	+	A427-000110	1	PLUG CAP			
6	+	A426-000070	1	COIL SPRING			
11	+	V475-005160	1	TUBE			
7		V485-001630	1	LEAD WIRE	L=220		
8		V322-000040	2	INSULATOR			
9		V202-000360	2	BOLT-SLPW	M4*26		
10		A425-000040	1	SPARKPLUG	NGK CMR5H		

## 5. RECOIL STARTER



KEY	LV	PART NUMBER	Q'TY	DESCRIPTION	REMARKS	NOTE1	NOTE2
1		A051-001510	1	RECOIL STARTER ASSY			
2	+	A500-000640	1	STARTER CASE			
3	+	A506-000140	1	REEL			
4	+	A504-000100	1	RECOIL SPRING			
5	+	A509-000070	1	ROPE			
6	+	A511-000100	1	KNOB			
7	+	V253-000310	1	SCREW			
8	+	V353-000310	1	COLLAR			
9	+	C810-000120	1	SWING ARM			
10		A052-000300	1	STARTER PULLEY			
11		V202-000350	4	BOLT-SPW	M4-14		
12		X504-003080	1	LABEL TRADE			

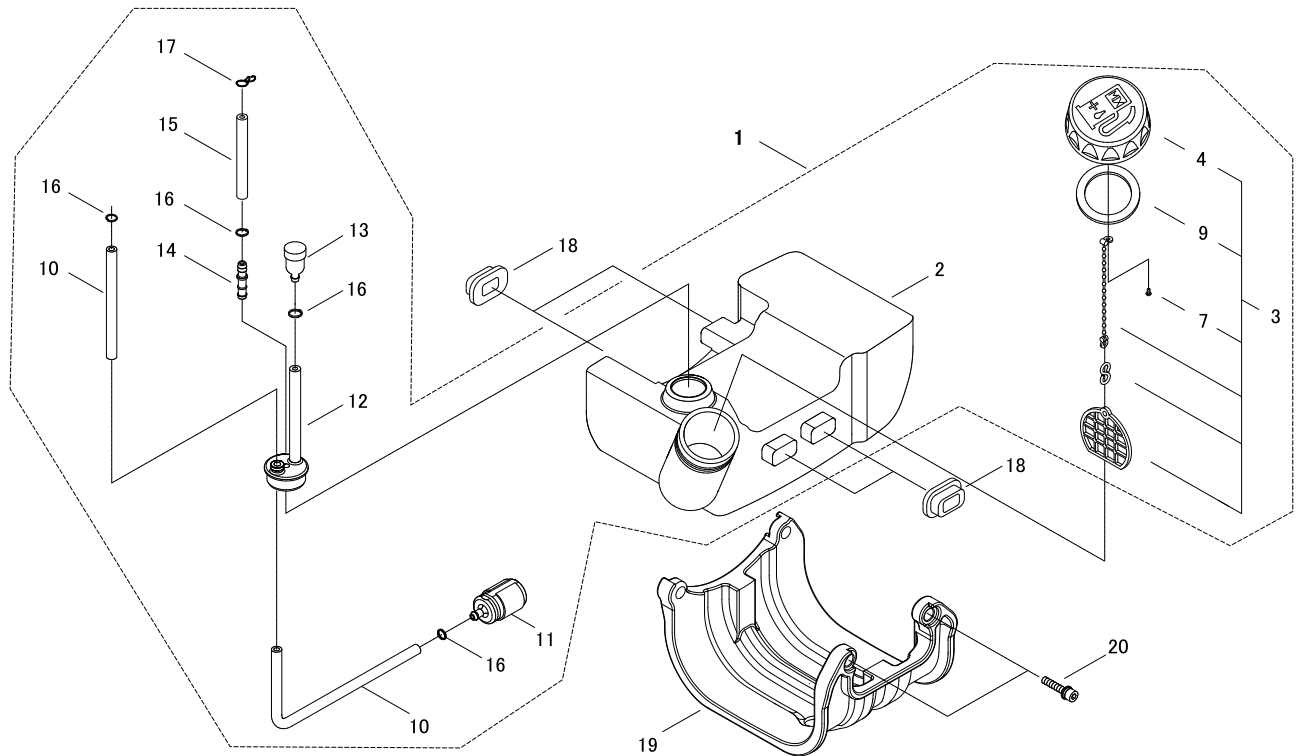
## 6. CARBURETOR, AIR CLEANER



KEY	LV	PART NUMBER	Q'TY	DESCRIPTION	REMARKS	NOTE1	NOTE2
1		A021-002480	1	CABURETOR ASSY			
2	+	P003-004630	1	VALVE,THROTTLE			
3	+	123172-45130	1	SWIVEL			
4	+	123149-54230	1	WASHER			
5	+	123173-07930	1	CLIP			
6	+	123114-44330	2	SCREW			
7	+	P003-000510	1	BODY ASSEMBLY, PUMP			
8	+	123180-05560	1	BODY, AIR PURGE			
9	+	123142-05560	1	COVER, PRIMER PUMP			
10	+	123181-40630	1	PUMP, PRIMER			
11	+	123110-05560	4	SCREW, PUMP COVER			
12	+	V581-000180	1	O RING			
13		V103-000570	1	GASKET			
14		A023-000300	1	CASE,CLEANER			
15		A226-000690	1	FILTER			
16		P021-028521	1	CLEANER COVER ASSY			
17	+	A232-000901	1	LID,CLEANER			
18	+	V299-000400	2	KNOB			
19		91581-05060	2	SCREW,PM			
20		900603-00005	2	WASHER 5	5.5*12*0.8		
21		P050-008580	1	KIT GASKET			
22		P050-008570	1	VALVE KIT			
23		A226-000700	1	PREFILTER			

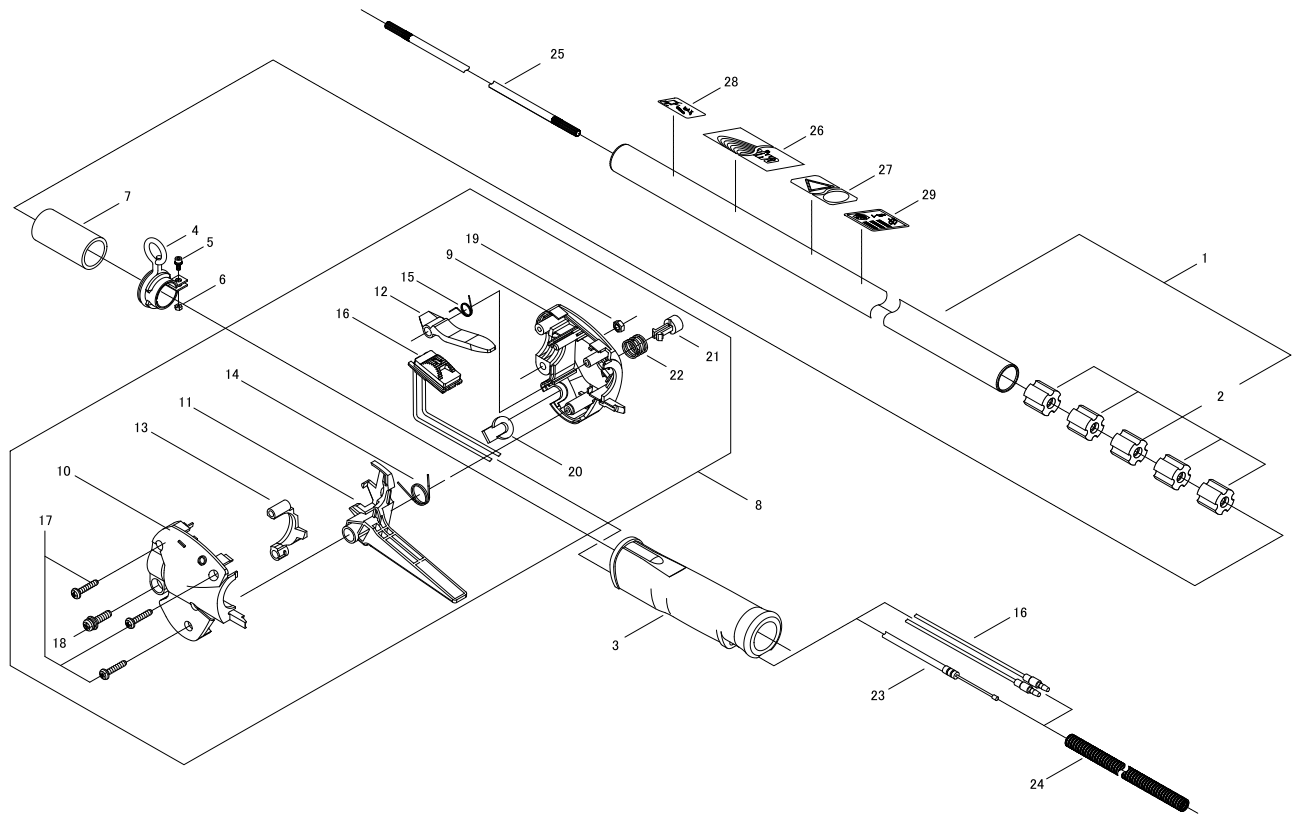


## 7. FUEL TANK



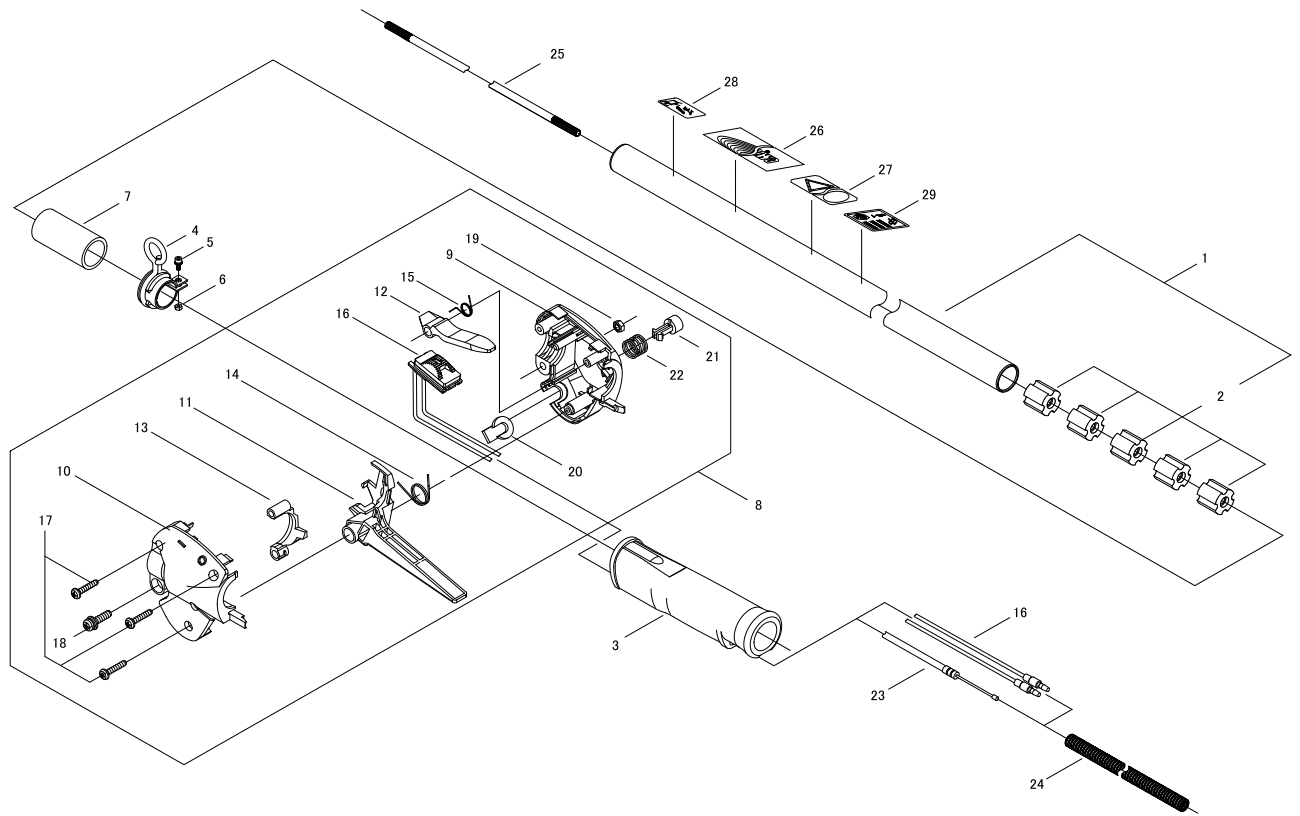
KEY	LV	PART NUMBER	Q'TY	DESCRIPTION	REMARKS	NOTE1	NOTE2
1		P021-028552	1	FUEL TANK ASSY			
2	+	A350-001350	1	FUEL TANK			
3	+	A033-000330	1	CAP, FUEL			
4	++	A355-000180	1	FUEL CAP			
7	++	91483-02506	1	SCREW TAPPING			
9	++	V107-000010	1	GASKET			
10	+	V471-002570	1	FUEL PIPE			
11	+	A369-000070	1	FUEL FILTER			
12	+	V470-000880	1	GROMMET			
13	+	A356-000050	1	VALVE, CHECK			
14	+	V186-000210	1	JOINT			
15	+	V471-002520	1	PIPE			
16	+	V490-000500	4	CLIP			
17	+	V490-000510	1	CLIP			
18		V420-002220	4	TANK CUSHION			
19		A175-000220	1	TANK GUARD			
20		V203-000350	2	BOLT SPW			

## 8. DRIVE SHAFT



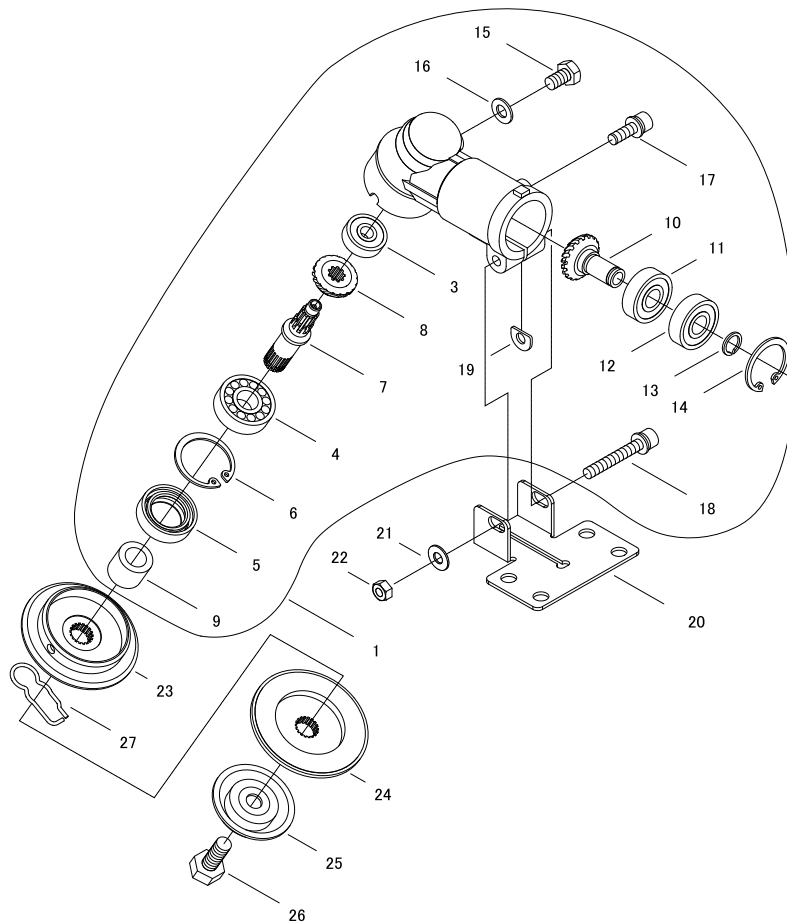
KEY	LV	PART NUMBER	Q'TY	DESCRIPTION	REMARKS	NOTE1	NOTE2
1		C050-002060	1	PIPE, MAIN			
2	+	C501-000120	5	BUSHING			
3		C412-000380	1	GRIP			
4		C063-000010	1	HANGER			
5		V203-000700	1	BOLT SPW			
6		900500-00005	1	NUT 5	5		
7		V364-000030	1	PROTECTOR			
8		C044-000850	1	THROTTLE LEVER ASSY			
9	+	C401-000180	1	BODY RIGHT			
10	+	C401-000190	1	BODY LEFT			
11	+	C450-000480	1	LEVER			
12	+	C460-000190	1	LOCK LEVER			
13	+	C461-000020	1	HOLDER			
14	+	V452-000700	1	COIL SPRING			
15	+	V452-000500	1	COIL SPRING			
16	+	A440-001460	1	SWITCH			
17	+	V252-000380	3	SCREW TAPPING			
18	+	91575-05020	1	SCREW PM SPW			
19	+	92017-05000	1	NUT	M5		
20	+	V162-000350	1	PLUG			
21	+	C461-000080	1	BUTTON			
22	+	V450-001010	1	COIL SPRING			
23		V430-002880	1	THROTTLE CABLE			
24		V475-004790	1	TUBE			
25		C504-000710	1	MAIN SHAFT			
26		X504-002780	1	LABEL TRADE			

8. DRIVE SHAFT



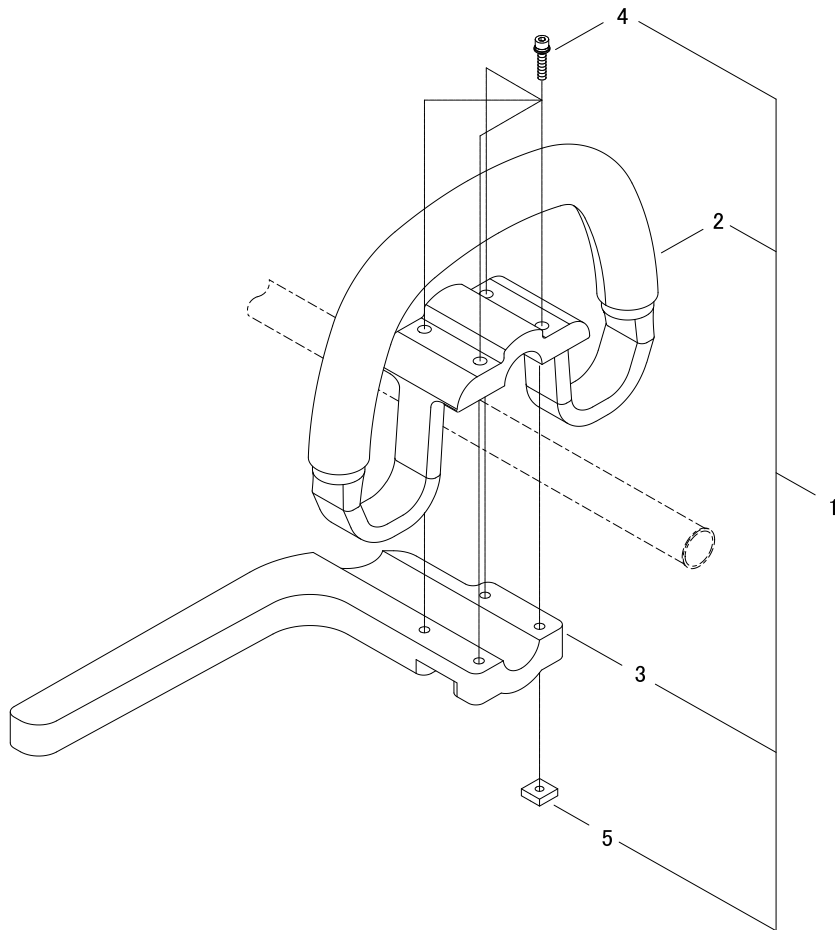
KEY	LV	PART NUMBER	Q'TY	DESCRIPTION	REMARKS	NOTE1	NOTE2
27		X505-003130	1	LABEL CAUTION			
28		X517-000140	1	LABEL CAUTION			
29		X508-000300	1	LABEL DECIBEL			

## 9. GEAR CASE



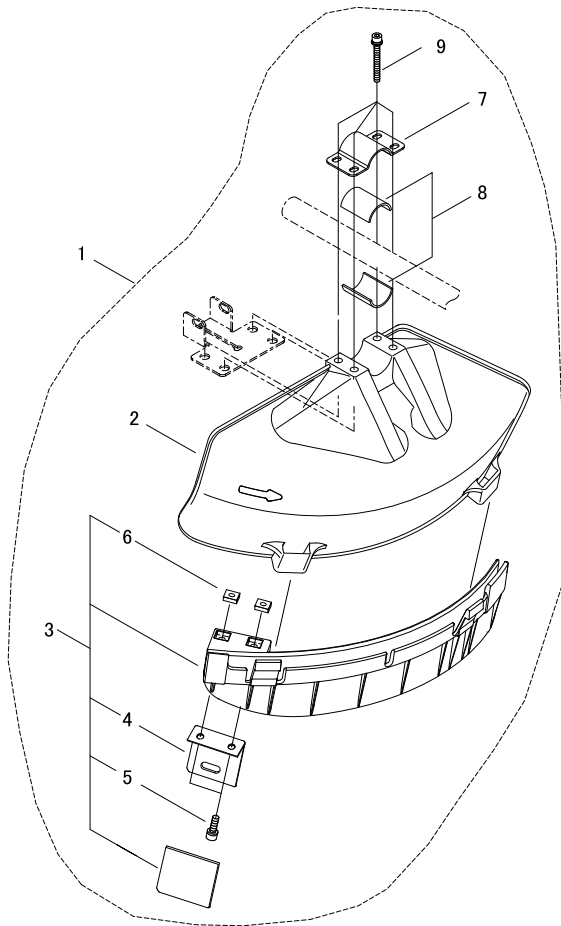
KEY	LV	PART NUMBER	Q'TY	DESCRIPTION	REMARKS	NOTE1	NOTE2
1		C051-000480	1	GEAR CASE COMP			
3	+	94028-40609	1	BEARING			
4	+	900810-06201	1	BEARING, BALL 6201	6201		
5	+	V510-000000	1	OIL SEAL			
6	+	92424-32000	1	SNAP RING			
7	+	C534-000570	1	GEAR SHAFT			
8	+	V651-000450	1	BEVEL GEAR			
9	+	V356-000500	1	COLLAR			
10	+	V651-000460	1	PINION SET			
11	+	900855-06901	1	BEARING, BALL 6901	6901		
12	+	900859-06901	1	BEARING, BALL	6901		
13	+	V583-000170	1	SNAP RING			
14	+	92424-24000	1	SNAP RING			
15	+	V206-000250	1	BOLT			
16	+	V307-000230	1	GASKET			
17	+	V203-000590	1	BOLT SPW			
18	+	V204-000450	1	BOLT SPW			
19	+	V340-000280	1	SHIM			
20		C551-000140	1	LOWER CLAMP			
21		900603-00006	1	WASHER 6	6.5*13*1		
22		900500-00006	1	NUT 6	6		
23		C535-000640	1	HOLDER A			
24		C535-000650	1	HOLDER			
25		C535-000630	1	FIXTURE, BLADE			
26		V205-000480	1	BOLT,8			
27		V641-000150	1	PIN,SNAP			

## 10. HANDLE



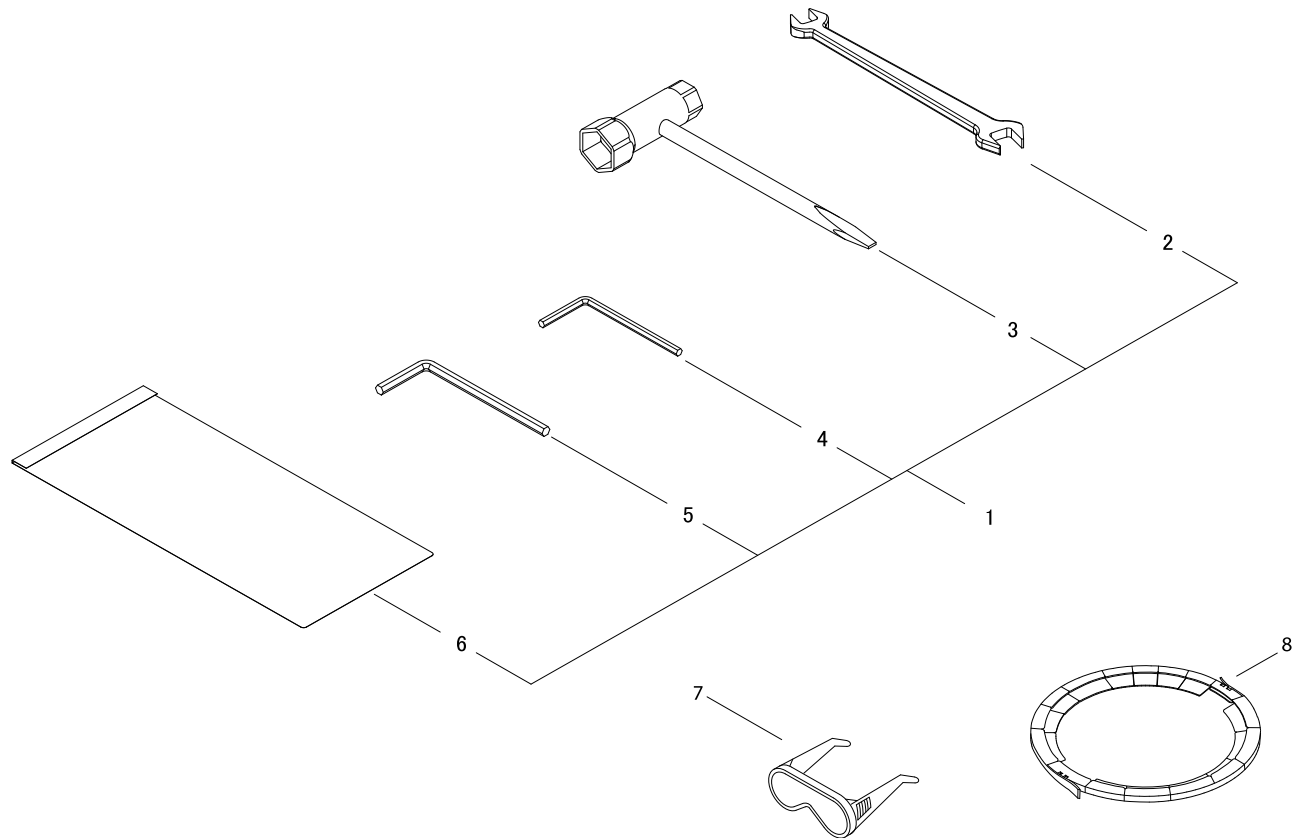
KEY	LV	PART NUMBER	Q'TY	DESCRIPTION	REMARKS	NOTE1	NOTE2
1		P021-027930	1	HANDLE ASSY			
2	+	C040-000290	1	HANDLE			
3	+	C405-000410	1	BARRIER			
4	+	V203-000600	4	BOLT SPW			
5	+	V263-000130	4	NUT			

## 11. SHIELD



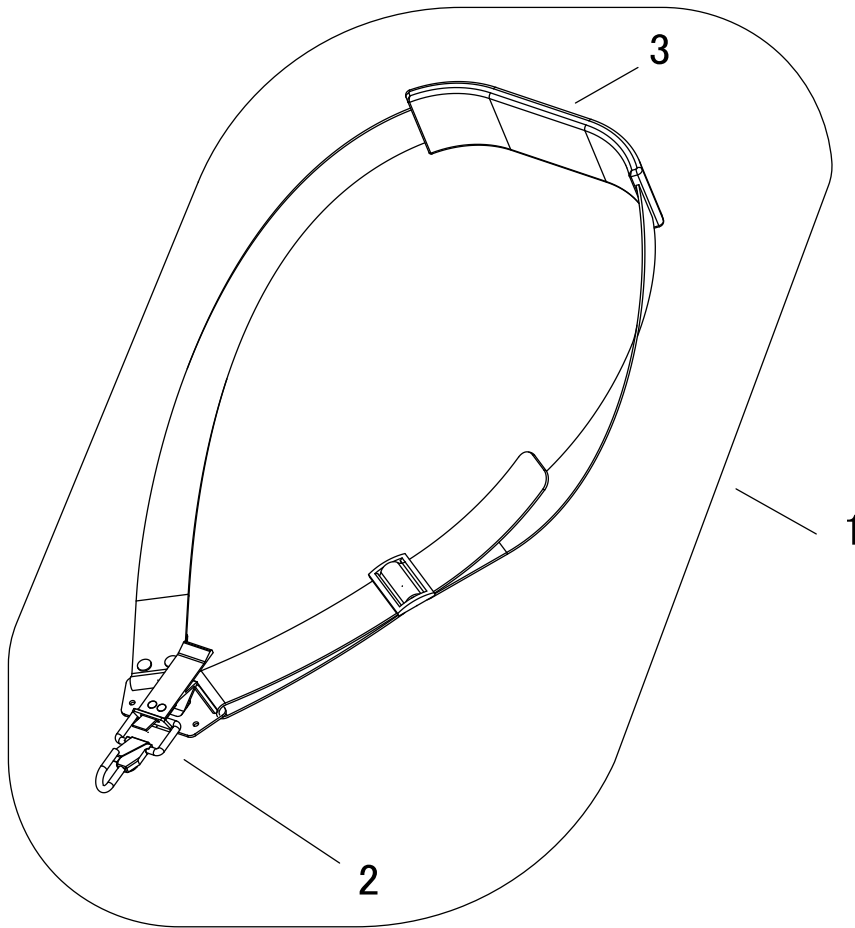
KEY	LV	PART NUMBER	Q'TY	DESCRIPTION	REMARKS	NOTE1	NOTE2
1		P021-028900	1	GUARD SET			
2	+	C550-000430	1	GUARD			
3	+	P021-028450	1	SUB GUARD ASSY			
4	++	C554-000040	1	CUTTER			
5	++	V203-000720	2	BOLT SW			
6	++	V263-000130	2	NUT			
7	+	C551-000060	1	UPPER CLAMP			
8	+	V363-000160	2	SPACER			
9	+	V203-000610	4	BOLT SPW			

## 12. TOOLS

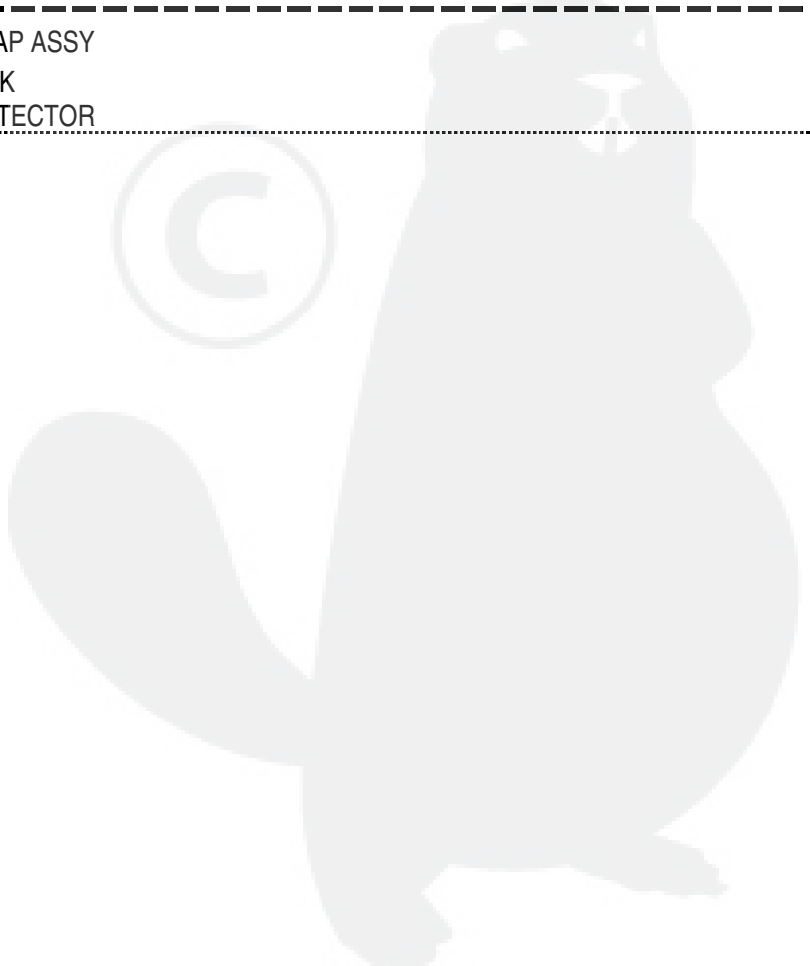


KEY	LV	PART NUMBER	Q'TY	DESCRIPTION	REMARKS	NOTE1	NOTE2
1		P021-029090	1	TOOL SET			
2	+	X600-000020	1	SPANNER			
3	+	X602-000160	1	PLUG WRENCH			
4	+	X605-000100	1	TOOL,L WRENCH	4MM M5		
5	+	X605-000070	1	HEXA WRENCH 6MM			
6	+	X705-000100	1	BAG,PACKING	140*200*T0.08		
7		X690-000030	1	GOGGLE			
8		X495-000300	2	SCABBARD,BLADE			

13. HARNESS



KEY	LV	PART NUMBER	Q'TY	DESCRIPTION	REMARKS	NOTE1	NOTE2
1		C062-000390	1	STRAP ASSY			
2	+	C649-000200	1	HOOK			
3	+	C644-000080	1	PROTECTOR			





**Index**

<b>Patrs Number</b>	<b>Key No.</b>	<b>Patrs Number</b>	<b>Key No.</b>	<b>Patrs Number</b>	<b>Key No.</b>
123110-05560	6 - 11	A146-000000	3 - 14	C063-000010	8 - 4
123114-44330	6 - 6	A160-001622	2 - 20	C401-000180	8 - 9
123142-05560	6 - 9	A172-002030	2 - 10	C401-000190	8 - 10
123149-54230	6 - 4	A175-000220	7 - 19	C405-000410	10 - 3
123172-45130	6 - 3	A200-000750	2 - 1	C412-000380	8 - 3
123173-07930	6 - 5	A211-000030	2 - 2	C450-000480	8 - 11
123180-05560	6 - 8	A212-000040	2 - 3	C460-000190	8 - 12
123181-40630	6 - 10	A226-000690	6 - 15	C461-000020	8 - 13
900105-05016	1 - 19	A226-000700	6 - 23	C461-000080	8 - 21
900105-05016	1 - 16	A232-000901	6 - 17	C486-000030	1 - 6
900105-05016	2 - 18	A300-001251	1 - 10	C501-000120	8 - 2
900500-00005	8 - 6	A310-000390	1 - 11	C504-000710	8 - 25
900500-00006	9 - 22	A313-001391	1 - 12	C534-000570	9 - 7
900600-00005	1 - 17	A350-001350	7 - 2	C535-000630	9 - 25
900603-00005	6 - 20	A355-000180	7 - 4	C535-000640	9 - 23
900603-00006	9 - 21	A356-000050	7 - 13	C535-000650	9 - 24
900810-06201	9 - 4	A369-000070	7 - 11	C550-000430	11 - 2
900855-06901	9 - 11	A409-000630	4 - 1	C551-000060	11 - 7
900859-06901	9 - 12	A411-000770	4 - 4	C551-000140	9 - 20
91341-03010	2 - 4	A425-000040	4 - 10	C554-000040	11 - 4
91449-04006	3 - 17	A426-000070	4 - 6	C603-000240	3 - 16
91483-02506	7 - 7	A427-000110	4 - 5	C644-000080	13 - 3
91572-04006	1 - 13	A429-000140	2 - 21	C649-000200	13 - 2
91575-05020	8 - 18	A440-001460	8 - 16	C810-000120	5 - 9
91581-05060	6 - 19	A500-000640	5 - 2	P003-000510	6 - 7
91582-05025	1 - 8	A504-000100	5 - 4	P003-004630	6 - 2
92017-05000	8 - 19	A506-000140	5 - 3	P021-027540	1 - 1
92018-06000	1 - 7	A509-000070	5 - 5	P021-027551	2 - 8
92424-24000	9 - 14	A511-000100	5 - 6	P021-027590	3 - 39
92424-28000	2 - 12	A553-000120	3 - 7	P021-027930	10 - 1
92424-32000	9 - 6	A556-001360	2 - 13	P021-028450	11 - 3
92424-42000	2 - 16	A557-000080	3 - 9	P021-028491	2 - 9
93115-03010	4 - 2	A566-000110	3 - 8	P021-028521	6 - 16
94002-36001	2 - 11	A575-000370	2 - 15	P021-028552	7 - 1
94028-40609	9 - 3	A600-000001	3 - 19	P021-028900	11 - 1
A011-000651	3 - 2	A603-000000	3 - 27	P021-029090	12 - 1
A021-002480	6 - 1	A603-000010	3 - 28	P021-033972	3 - 1
A023-000300	6 - 14	A604-000010	3 - 29	P050-008570	6 - 22
A024-000020	1 - 2	A606-000040	3 - 30	P050-008580	6 - 21
A030-000342	1 - 9	A607-000000	3 - 21	V103-000570	6 - 13
A033-000330	7 - 3	A610-000050	3 - 31	V103-000980	1 - 3
A051-001510	5 - 1	A610-000060	3 - 32	V104-001431	1 - 14
A052-000300	5 - 10	A613-000010	3 - 33	V107-000010	7 - 9
A056-000410	3 - 5	A622-000000	3 - 13	V109-000040	3 - 23
A056-000420	3 - 6	C040-000290	10 - 2	V109-000050	3 - 37
A063-000000	3 - 12	C044-000850	8 - 8	V109-000100	2 - 6
A123-000000	2 - 5	C050-002060	8 - 1	V152-002250	1 - 5
A136-000000	3 - 22	C051-000480	9 - 1	V162-000350	8 - 20
A137-000000	3 - 36	C062-000390	13 - 1	V186-000210	7 - 14

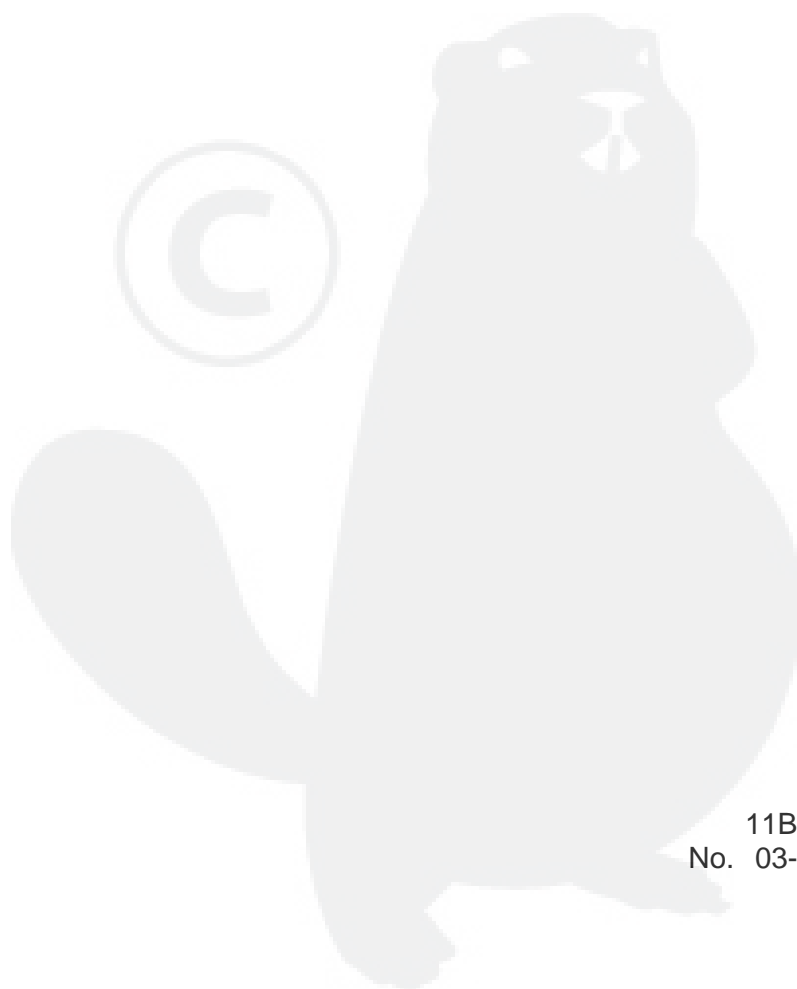
**Index**

<b>Patrs Number</b>	<b>Key No.</b>	<b>Patrs Number</b>	<b>Key No.</b>	<b>Patrs Number</b>	<b>Key No.</b>
V202-000350	2 - 7	V485-001260	1 - 4		
V202-000350	2 - 22	V485-001630	4 - 7		
V202-000350	3 - 24	V490-000500	7 - 16		
V202-000350	3 - 38	V490-000510	7 - 17		
V202-000350	5 - 11	V505-000020	3 - 3		
V202-000360	4 - 9	V505-000060	3 - 4		
V203-000350	7 - 20	V510-000000	9 - 5		
V203-000530	2 - 19	V581-000180	6 - 12		
V203-000590	9 - 17	V583-000170	2 - 14		
V203-000600	10 - 4	V583-000170	9 - 13		
V203-000610	11 - 9	V622-000040	1 - 18		
V203-000620	2 - 17	V623-000010	3 - 35		
V203-000700	8 - 5	V623-000030	3 - 18		
V203-000720	11 - 5	V641-000150	9 - 27		
V203-001000	1 - 15	V651-000450	9 - 8		
V204-000450	9 - 18	V651-000460	9 - 10		
V205-000480	9 - 26	X495-000300	12 - 8		
V206-000250	9 - 15	X504-002530	2 - 24		
V252-000380	8 - 17	X504-002550	2 - 23		
V253-000310	5 - 7	X504-002780	8 - 26		
V253-000540	3 - 25	X504-003080	5 - 12		
V263-000130	10 - 5	X505-003130	8 - 27		
V263-000130	11 - 6	X508-000300	8 - 29		
V263-000230	3 - 34	X517-000140	8 - 28		
V265-000140	4 - 3	X600-000020	12 - 2		
V299-000400	6 - 18	X602-000160	12 - 3		
V303-000120	3 - 26	X605-000070	12 - 5		
V303-000220	3 - 20	X605-000100	12 - 4		
V304-000150	3 - 11	X690-000030	12 - 7		
V307-000230	9 - 16	X705-000100	12 - 6		
V322-000040	4 - 8				
V340-000280	9 - 19				
V346-000040	3 - 10				
V353-000310	5 - 8				
V356-000500	9 - 9				
V363-000160	11 - 8				
V364-000030	8 - 7				
V392-000030	3 - 40				
V420-002220	7 - 18				
V430-002880	8 - 23				
V450-001010	8 - 22				
V452-000500	8 - 15				
V452-000610	3 - 15				
V452-000700	8 - 14				
V470-000880	7 - 12				
V471-002520	7 - 15				
V471-002570	7 - 10				
V475-004790	8 - 24				
V475-005160	4 - 11				

# YAMABIKO CORPORATION

7-2 SUEHIROCHO 1-CHOME, OHME, TOKYO 198-8760, JAPAN  
PHONE: 81-428-32-6118. FAX: 81-428-32-6145.

**shindaiwa<sup>®</sup>**



11Bb  
No. 03-035