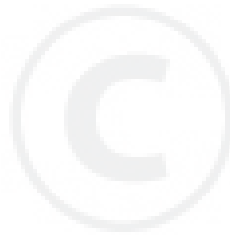


shindaiwa[®]

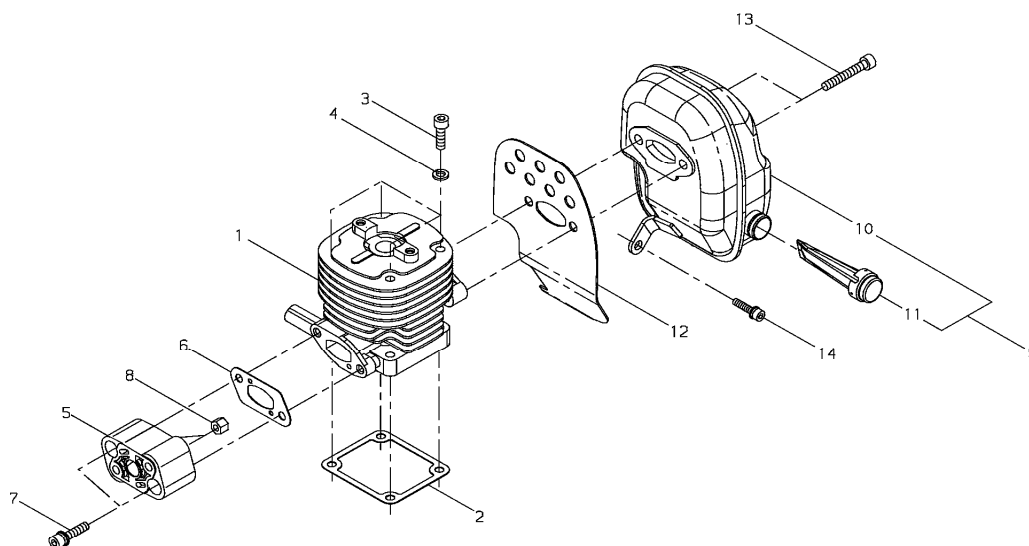
PARTS CATALOG

**TRIMMER
T350 EC1**



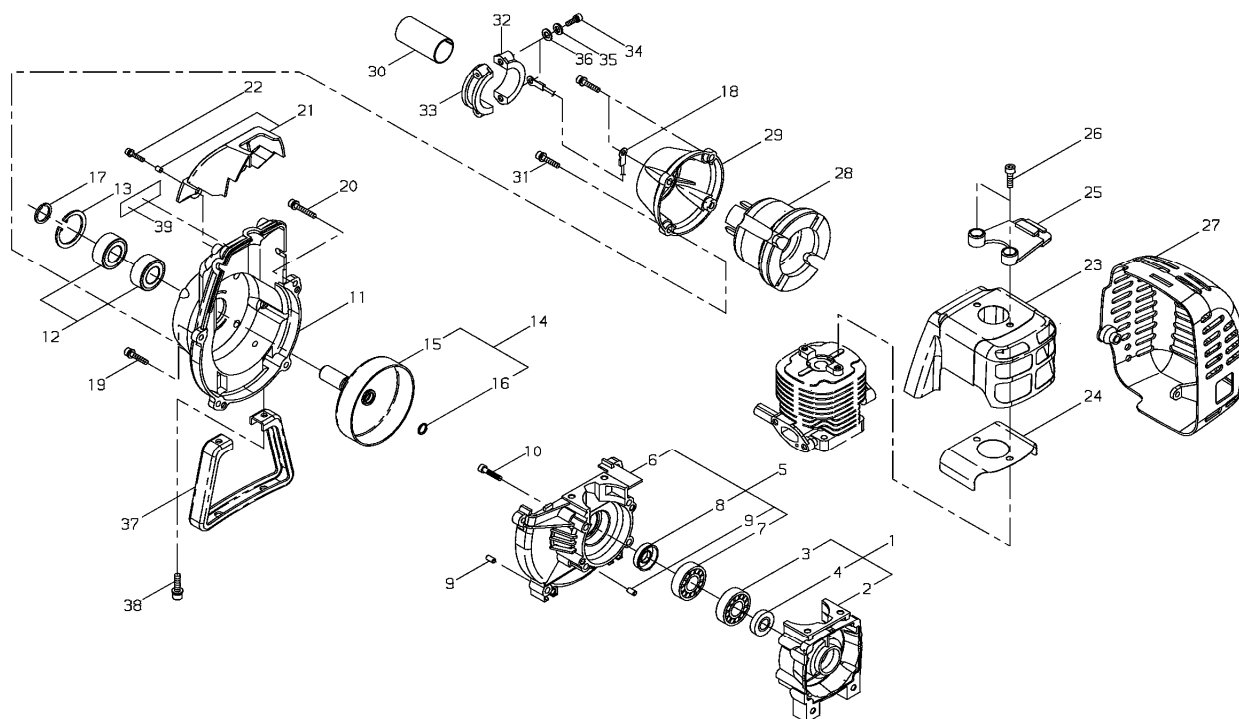
T350 EC1

1. CYLINDER, MUFFLER



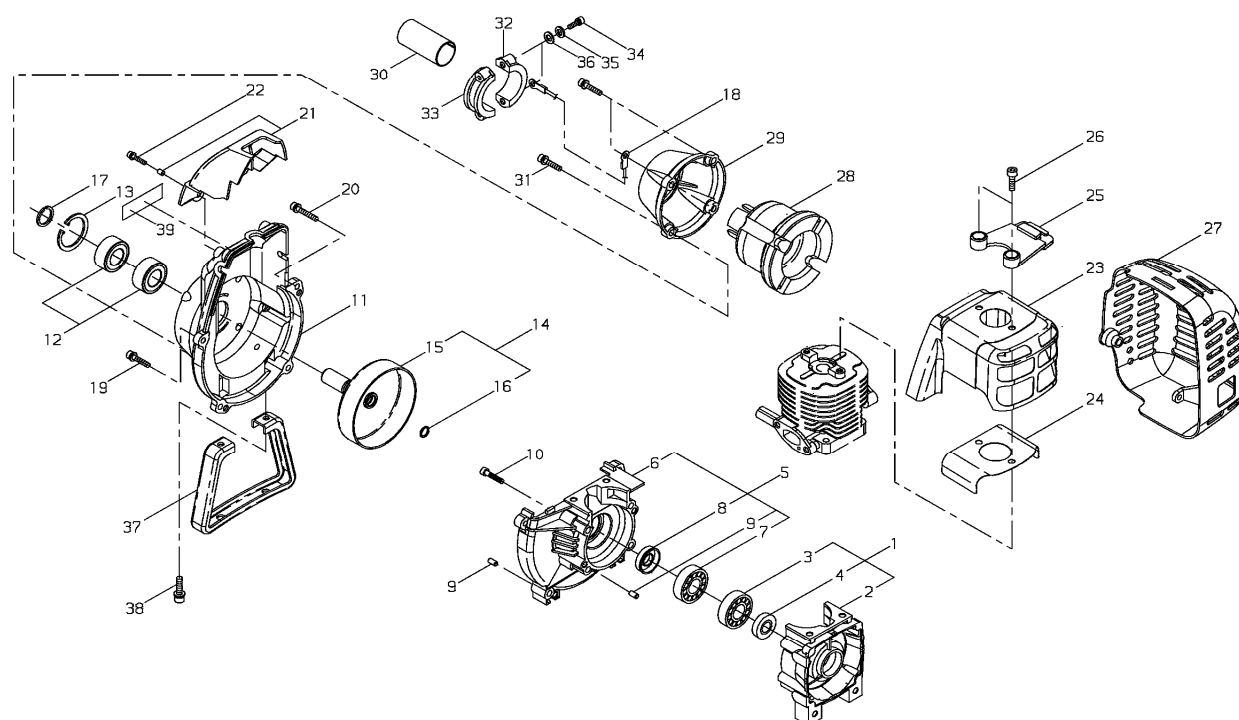
KEY	LV	PART NUMBER	Q'TY	DESCRIPTION	REMARKS	NOTE1	NOTE2
1		70196-12110	1	CYLINDER			
2		20010-12121	1	GASKET CYLINDER			
3		01020-05250	4	BOLT		M5x25	
4		01600-05131	4	SPRING WASHER		5mm	
5		20060-12210	1	INSULATOR			
6		20011-12221	1	GASKET			
7		11022-05250	2	BOLT SPW		M5x25	
8		20024-12260	2	NUT			
9		62102-15010	1	MUFFLER ASSY			
10		62104-15110	1	MUFFLER			
11		70200-15151	1	SPARK ARRESTER			
12		62104-15210	1	GASKET			
13		01020-06250	2	BOLT		M6x25	
14		11024-05120	1	BOLT SLPW		M5x12	

2. CRANKCASE, FANCOVER



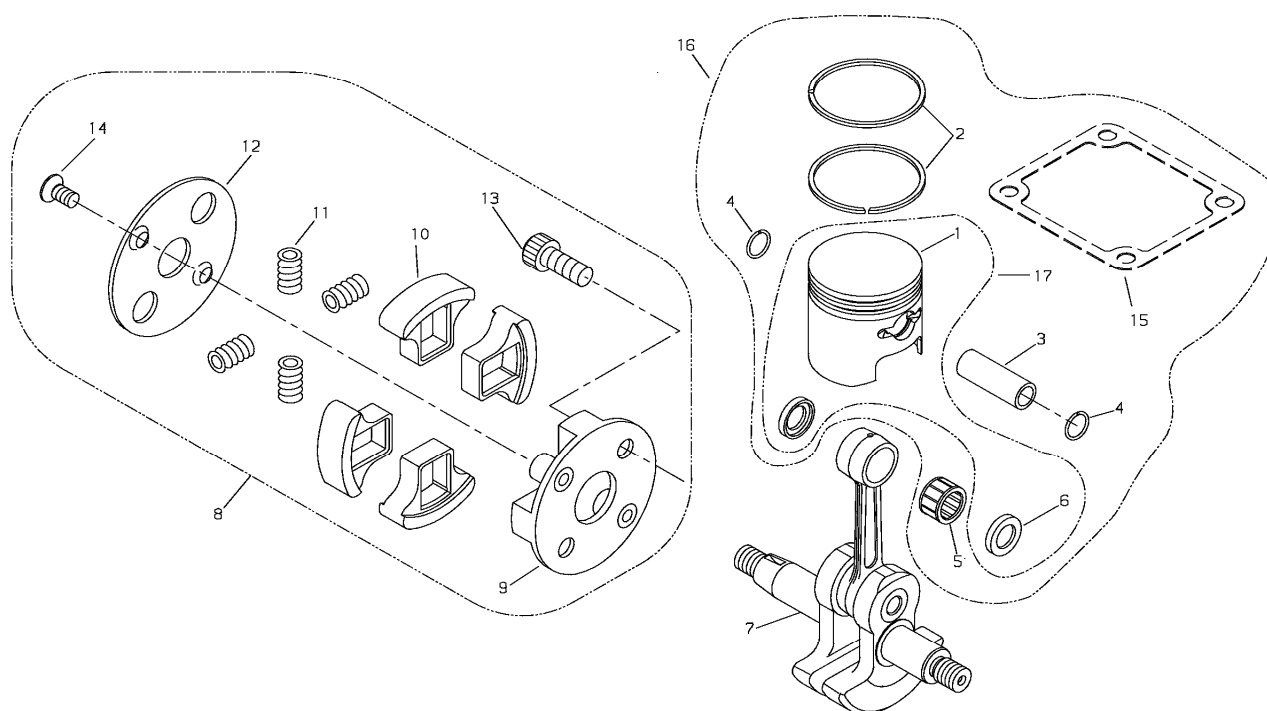
KEY	LV	PART NUMBER	Q'TY	DESCRIPTION	REMARKS	NOTE1	NOTE2
1		72935-21101	1	CRANK CASE S COMP			
2	▪	72935-21111	1	CRANK CASE S			
3	▪	12900-62020	1	BEARING		6202,C3	
4	▪	20010-21211	1	OIL SEAL			
5		70062-21200	1	CRANK CASE M COMP			
6	▪	72921-21121	1	CRANK CASE M			
7	▪	12900-62020	1	BEARING		6202,C3	
8	▪	20010-21211	1	OIL SEAL			
9	▪	12492-50100	4	ROLLER		φ5xL10	
10		01020-05300	4	BOLT		M5x30	
11		70012-31111	1	FAN COVER			
12		02006-06002	2	BEARING		6002DDU	
13		02432-32120	1	SNAP RING		32mm	
14		20011-31200	1	CLUTCH DRUM SET			
15		20011-31210	1	CLUTCH DRUM			
16		20011-31220	1	SNAP RING			
17		20011-31230	1	SNAP RING			
18		70192-31510	1	EARTH CORD			
19		11022-05200	3	BOLT SPW		M5x20	
20		11022-05300	1	BOLT SW		M5x30	
21		70131-34100	1	PROTECTOR COMP			
22		11024-04160	2	BOLT SLPW		M4x16	
23		70196-32110	1	CYLINDER COVER			
24		70196-32141	1	GASKET			
25		62104-32310	1	STAY			
26		11022-05180	2	BOLT SPW		M5x18	

2. CRANKCASE, FANCOVER



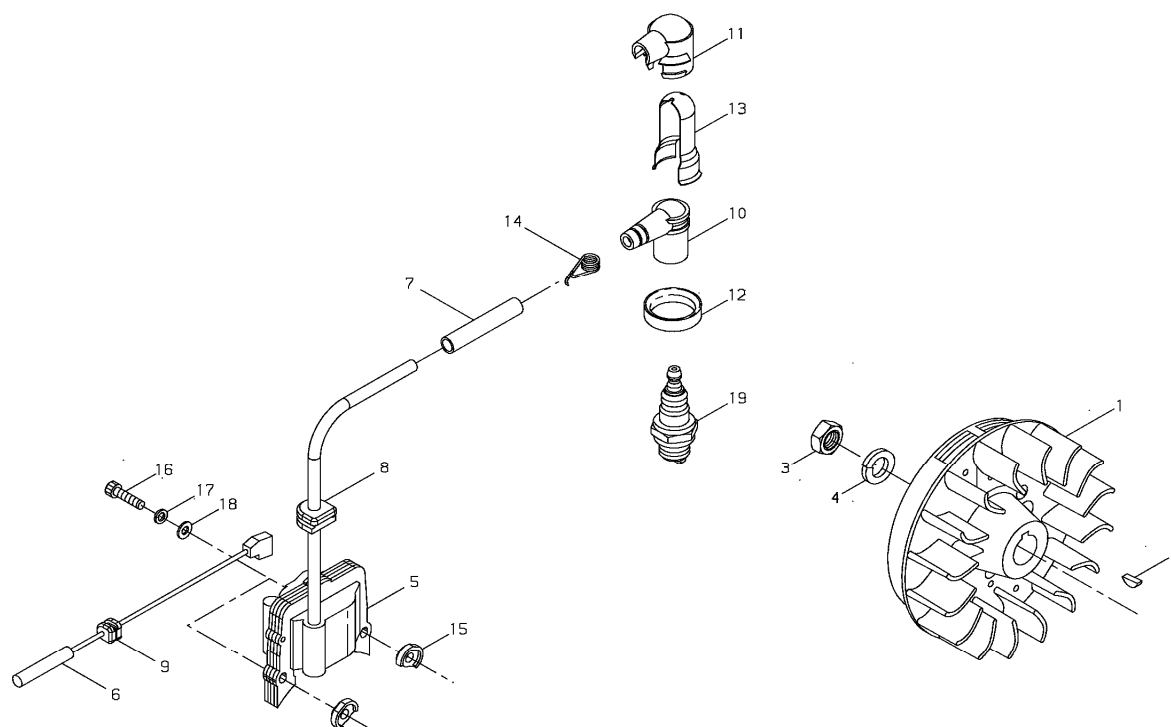
KEY	LV	PART NUMBER	Q'TY	DESCRIPTION	REMARKS	NOTE1	NOTE2
27		62104-32321	1	MUFFLER COVER			
28		20011-35110	1	JOINT			
29		70012-35130	1	CAP JOINT			
30		70136-35170	1	SPACER			
31		11022-05200	4	BOLT SPW		M5x20	
32		20011-35141	1	CLAMP A			
33		20011-35151	1	CLAMP B			
34		01020-05250	2	BOLT		M5x25	
35		01600-05131	2	SPRING WASHER		5mm	
36		01610-05080	2	WASHER		5mm	
37		70200-33112	1	STAND			
38		11022-05160	2	BOLT SPW		M5x16	
39		70207-31150	1	LABEL TRADE			

3. PISTON, CRANKSHAFT, CLUTCH



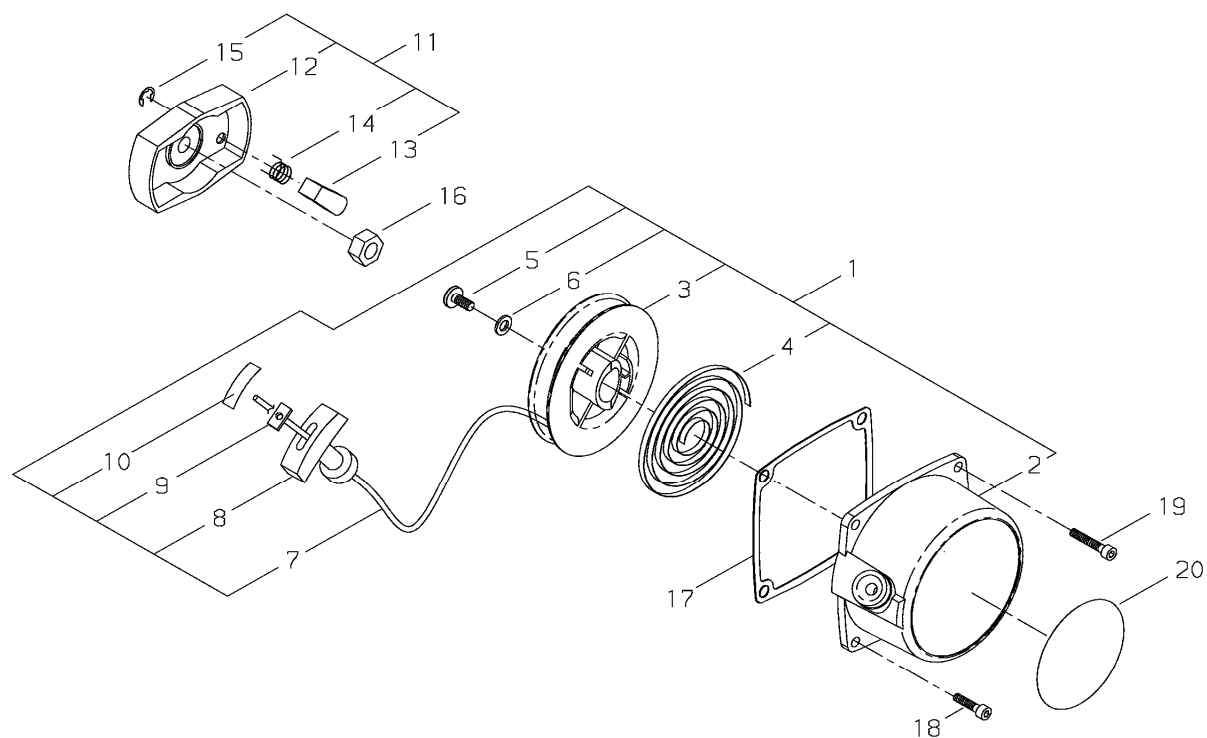
KEY	LV	PART NUMBER	Q'TY	DESCRIPTION	REMARKS	NOTE1	NOTE2
16		72051-98011	1	PISTON SET			
17	•	72051-98310	1	PISTON SET			
1	• •	20010-41111	1	PISTON			
6	• •	70200-41341	2	THRUST WASHER			
2	•	20010-41210	2	PISTON RING			
3	•	20010-41310	1	PISTON PIN			
4	•	22100-41230	2	SNAP RING			
5	•	20010-41330	1	NEEDLE BEARING			
15	•	20010-12121	1	GASKET CYLINDER			
7		20010-42002	1	CRANK SHAFT ASSY			
8		70210-51100	1	CLUTCH SHOE ASSY			
9	•	20020-51112	1	CLUTCH BOSS			
10	•	20020-51121	4	CLUTCH SHOE			
11	•	20020-51131	4	SPRING			
12	•	20020-51140	1	PLATE			
13	•	20020-51150	2	CLUTCH BOLT			
14	•	70210-51160	2	SCREW FLAT			

4. MAGNETO



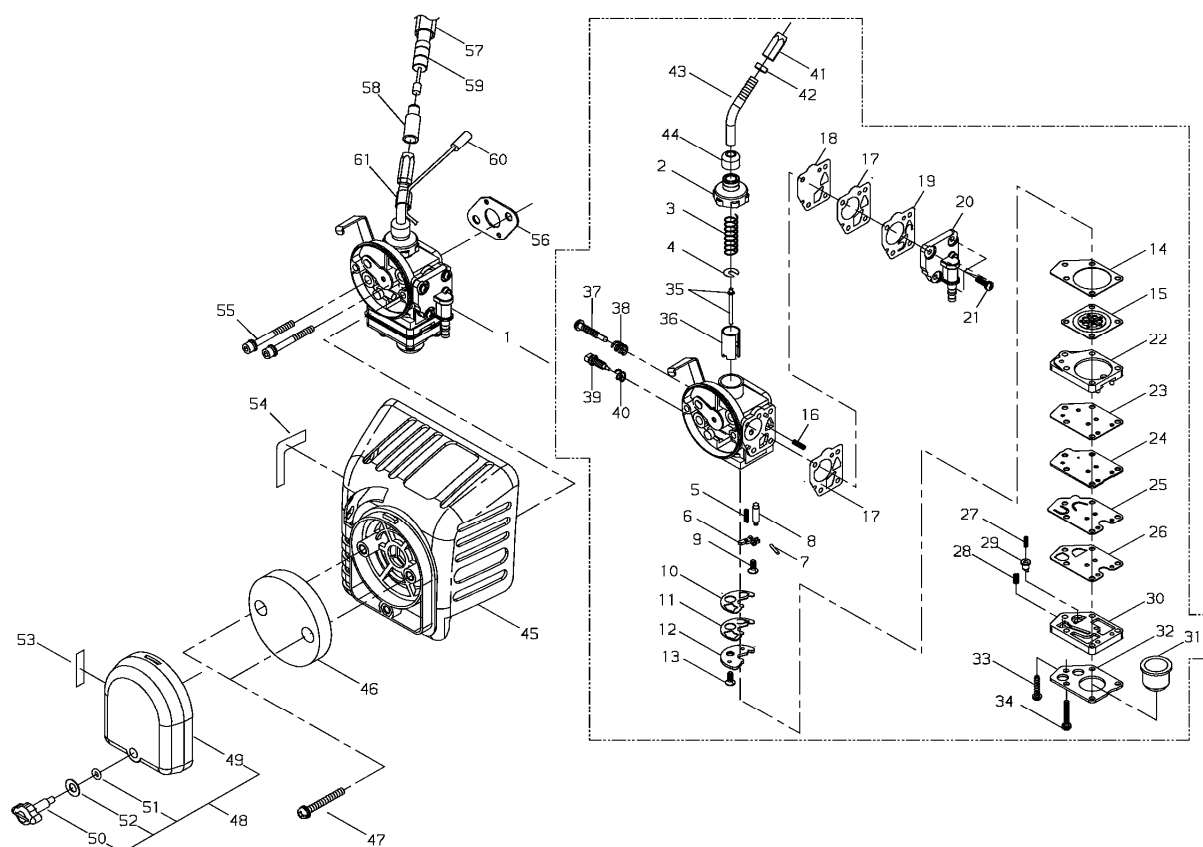
KEY	LV	PART NUMBER	Q'TY	DESCRIPTION	REMARKS	NOTE1	NOTE2
1		70200-71200	1	ROTOR			
2		02403-03100	1	KEY	3*10	3x10	
3		01511-10061	1	NUT		M10	
4		01600-10251	1	SPRING WASHER		10mm	
5		70200-71610	1	COIL			
6		70200-71640	1	CORD			
7		20011-71660	1	TUBE			
8		20011-72110	1	GROMMET			
9		20011-72120	1	GROMMET			
10		20010-72221	1	PLUG CAP			
11		20000-72241	1	PLUG CAP COVER			
12		20000-72250	1	COVER BAND			
13		70180-72260	1	SHIELD			
14		20000-72230	1	SPRING SPARK PLUG			
15		20010-71631	2	SPACER COIL			
16		01020-04240	2	BOLT		M4x24	
17		01600-04101	2	SPRING WASHER		4mm	
18		20010-71650	2	WASHER			
19		13000-13406	1	SPARK PLUG BMR6A		BMR6A	

5. RECOIL STARTER



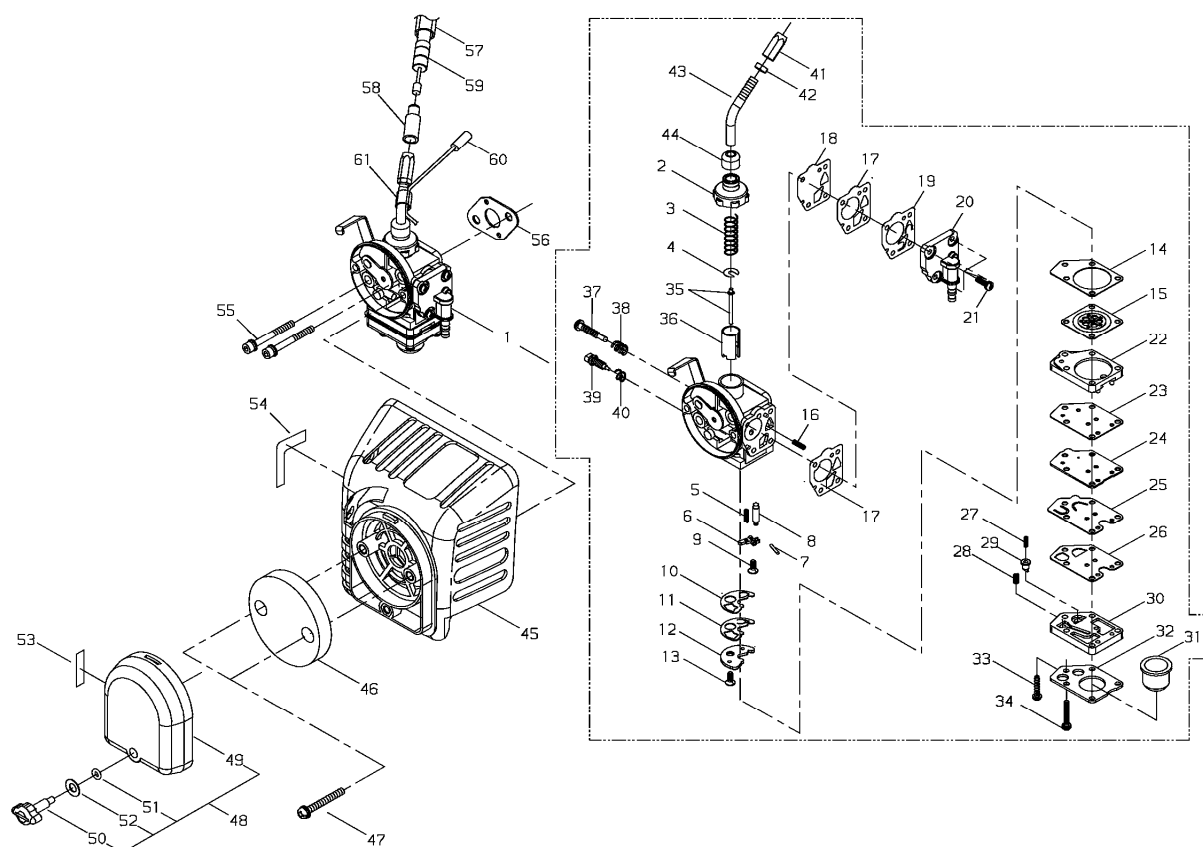
KEY	LV	PART NUMBER	Q'TY	DESCRIPTION	REMARKS	NOTE1	NOTE2
1		70131-75900	1	RECOIL STARETR			
2	•	70131-75110	1	STARTER CASE			
3	•	70131-75120	1	REEL			
4	•	20024-75130	1	RECOIL SPRING			
5	•	20035-75170	1	SCREW			
6	•	70131-75140	1	WASHER			
7	•	20020-75180	1	ROPE			
8	•	20010-75190	1	STARTER KNOB			
9	•	20010-75210	1	STOPPER			
10	•	20010-75230	1	TAPE			
11		70131-75200	1	STARTER PULLY ASSY			
12	•	70131-75211	1	STARTER PULLEY			
13	•	20024-75220	1	RATCHET			
14	•	20024-75230	1	RETURN SPRING			
15	•	20024-75240	1	E RING			
16		20000-76210	1	NUT			
17		20020-76111	1	GASKET STARTER			
18		11022-04160	3	BOLT SPW		M4x16	
19		11060-04203	1	BOLT ADHESIVE		M4x20	
20		19420-00027	1	LABEL TRADE			

6. CARBURETOR, AIR CLEANER



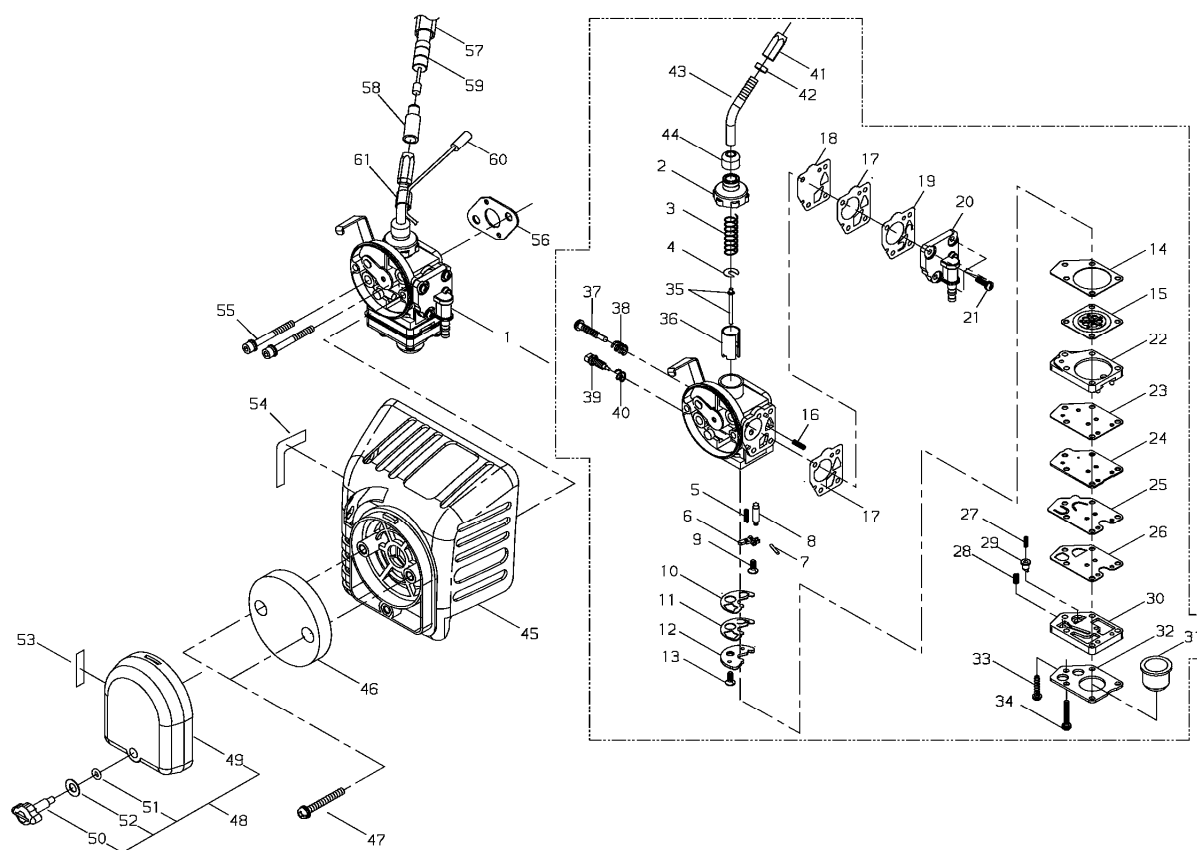
KEY	LV	PART NUMBER	Q'TY	DESCRIPTION	REMARKS	NOTE1	NOTE2
1		62102-81010	1	CABURETOR ASSY			
2	•	20055-81120	1	BODY CAP			
3	•	20003-81140	1	THROTTLE SPRING			
4	•	20000-81150	1	SPRING RECEIVE			
5	•	20040-81430	1	SPRING			
6	•	20011-81451	1	LEVER			
7	•	20011-81460	1	PIN			
8	•	20000-81441	1	NEEDLE VALVE			
9	•	20011-81470	1	SCREW			
10	•	20087-81420	1	PACKING			
11	•	20087-81411	1	CHECK VALVE			
12	•	70200-81430	1	PLATE			
13	•	20011-81470	1	SCREW			
14	•	20087-81510	1	GASKET			
15	•	20087-81520	1	DIAPHRAGM			
16	•	20040-81680	2	SPRING			
17	•	20011-81630	2	GASKET			
18	•	20011-81621	1	DIAPHRAGM			
19	•	20087-81660	1	PUMP VALVE			
20	•	20087-81641	1	PUMP BODY			
21	•	20000-81650	4	SCREW			
22	•	20087-81550	1	COVER			
23	•	20087-81890	1	PACKING			
24	•	20087-81560	1	PLATE			
25	•	20087-81571	1	CHECK VALVE			
26	•	20087-81540	1	GASKET			

6. CARBURETOR, AIR CLEANER



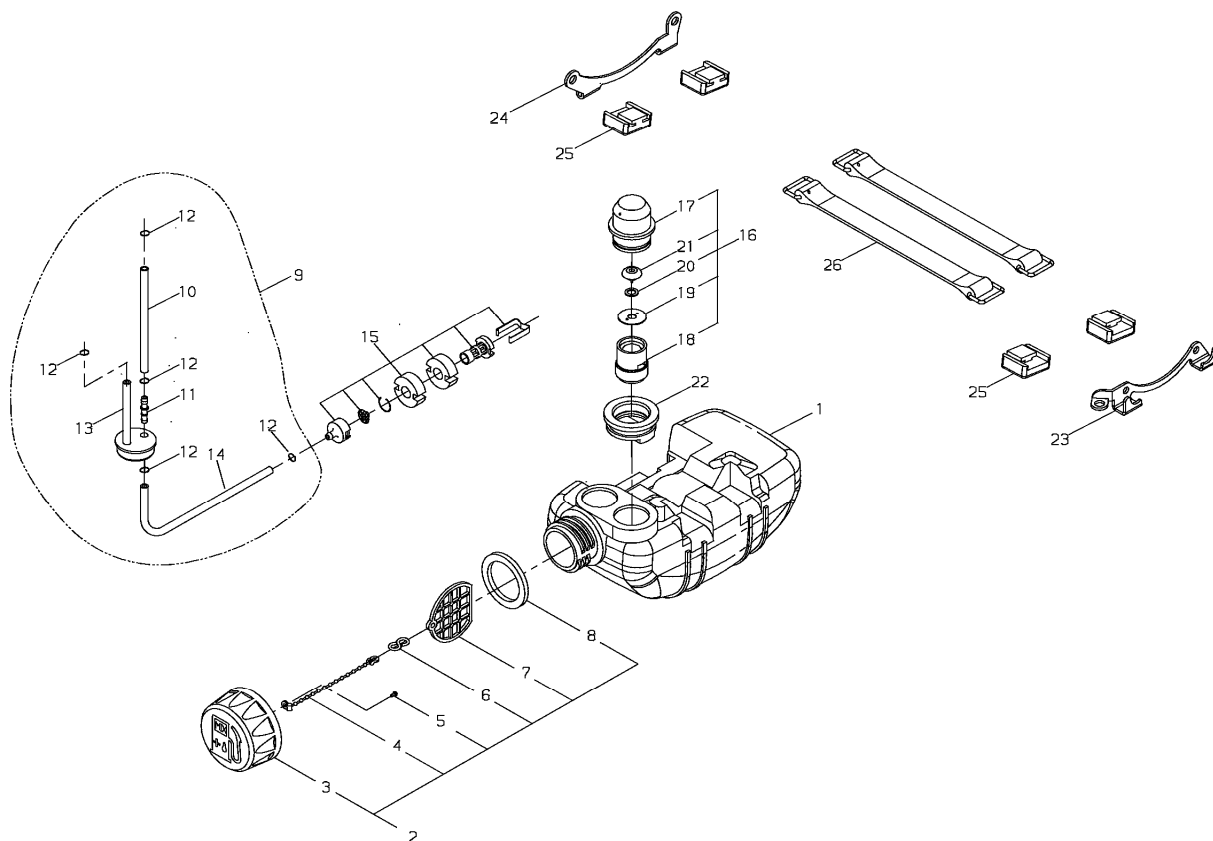
KEY	LV	PART NUMBER	Q'TY	DESCRIPTION	REMARKS	NOTE1	NOTE2
27	•	20087-81851	1	SPRING			
28	•	20087-81870	1	SPRING			
29	•	20087-81861	1	VALVE			
30	•	20087-81811	1	PUMP BASE			
31	•	20087-81820	1	PUMP			
32	•	20087-81830	1	PLATE			
33	•	20087-81840	1	SCREW			
34	•	20087-81880	4	SCREW			
35	•	62102-81320	1	JET NEEDLE			
36	•	70131-81180	1	THROTTLE VALVE			
37	•	20000-81310	1	SLOW STOP SCREW			
38	•	72920-81820	1	SPRING			
39	•	62102-81330	1	MAIN ADJ SCREW			
40	•	20011-81360	1	SPRING			
41	•	20055-81810	1	CABLE ADJUSTER			
42	•	20000-81260	1	LOCK NUT			
43	•	70107-81830	1	ADJUST PIPE			
44	•	20055-81130	1	CAP			
45		70102-81710	1	CLEANER BODY			
46		20056-81740	1	FILTER			
47		11207-04250	2	SCREW PM SLPW		M4x25	
48		20060-81761	1	CLEANER COVER COMP			
49	•	20060-81770	1	CLEANER COVER			
50	•	20060-81781	1	KNOB CLEANER COVER			
51	•	22100-82430	1	O RING			
52	•	20024-81790	1	CONE WASHER			

6. CARBURETOR, AIR CLEANER



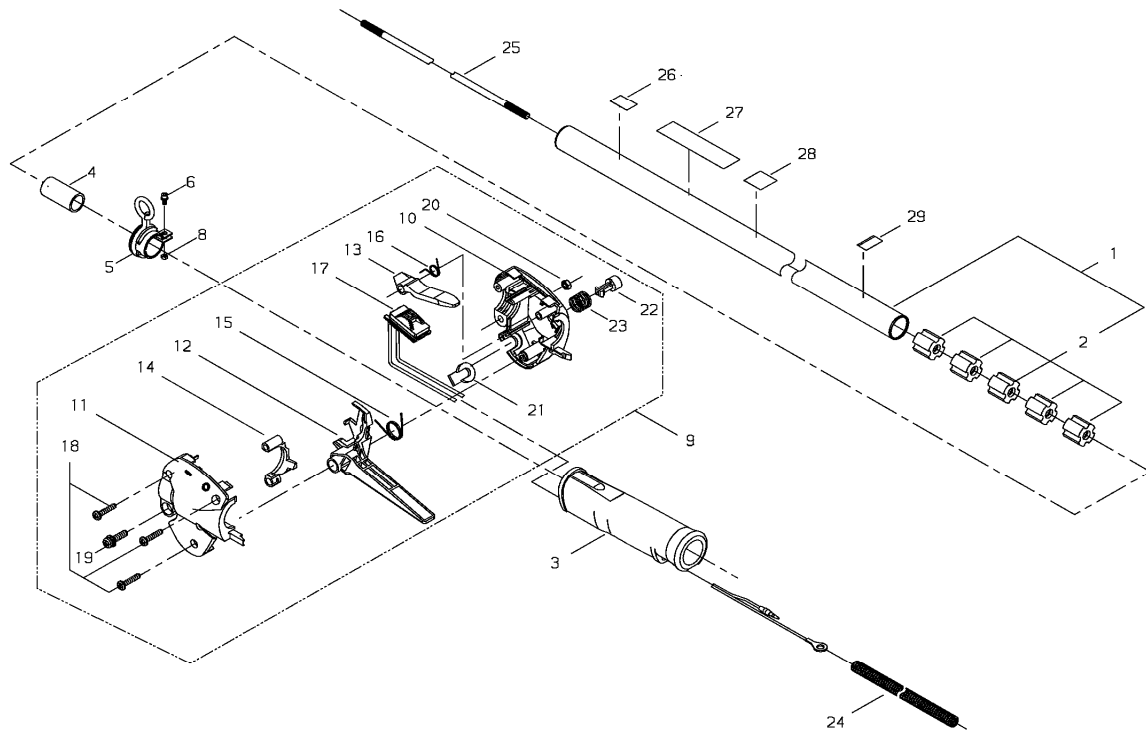
KEY	LV	PART NUMBER	Q'TY	DESCRIPTION	REMARKS	NOTE1	NOTE2
53		19404-00008	1	LABEL CHOKE			
54		19404-00010	1	LABEL CARBURETOR			
55		11022-05550	2	BOLT SW		M5x55	
56		20011-83411	1	GASKET CARBURETOR			
57		20020-83120	1	PIPE			
58		20005-83160	1	CABLE CAP			
59		62000-83110	1	THROTTLE CABLE			
60		70056-83130	1	EARTH CORD A			
61		20060-83180	1	PIPE			

7. FUEL TANK



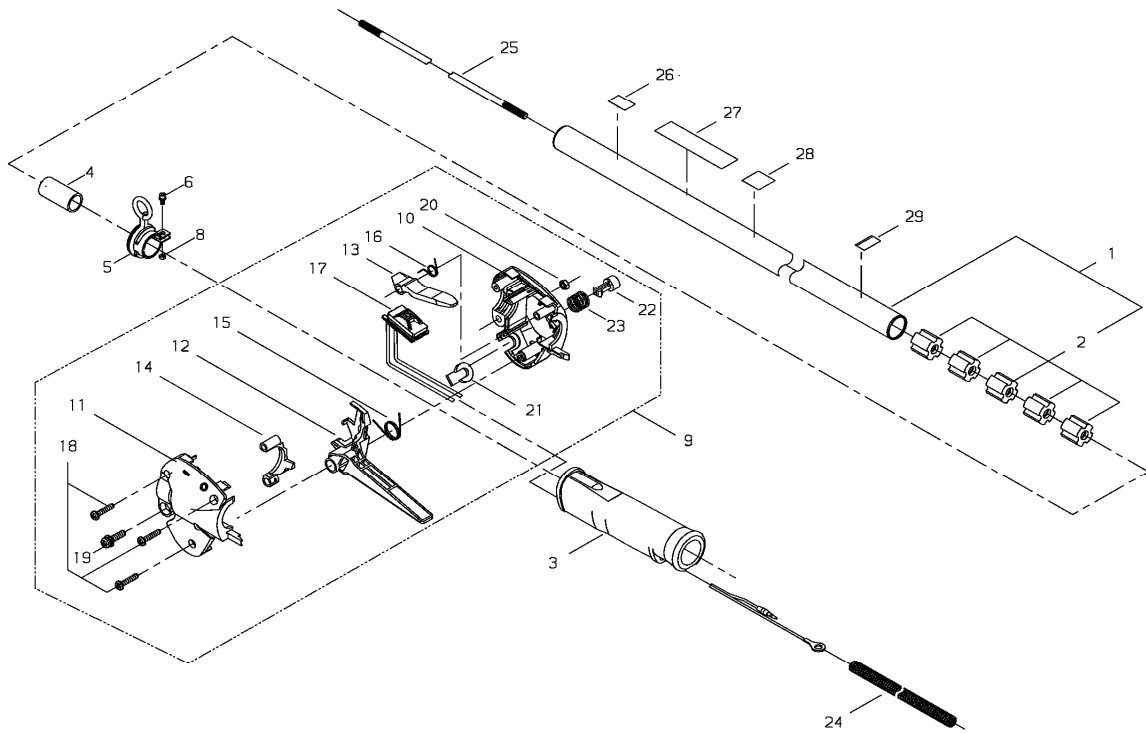
KEY	LV	PART NUMBER	Q'TY	DESCRIPTION	REMARKS	NOTE1	NOTE2
1		70200-85110	1	FUEL TANK			
2		70168-85201	1	FUEL CAP ASSY			
3	•	70168-85210	1	FUEL CAP			
4	•	22128-57250	1	CHAIN CAP			
5	•	01270-25064	1	SCREW TAPPING		2.5x6	
6	•	22150-21350	1	CLIP			
7	•	22155-21330	1	HOOK			
8	•	20000-85221	1	GASKET			
9		7020085301	1	FUEL PIPE ASSY			
10	•	70200-85310	1	FUEL PIPE			
11	•	72935-85330	1	JOINT			
12	•	20020-85540	5	CLIP			
13	•	70200-85350	1	GROMMET			
14	•	70200-85320	1	FUEL PIPE			
15		22169-35400	1	FUEL FILTER SUB ASSY			
16		20000-85500	1	BREATHER SUB ASSY			
17	•	20000-85511	1	CAP BREATHER			
18	•	20000-85521	1	HOLDER VALVE			
19	•	22100-85240	1	RETAINER FUEL			
20	•	22100-85250	1	WASHER FUEL			
21	•	22100-85260	1	VALVE FUEL			
22		20000-85572	1	GROMMET BREATHER			
23		20021-86110	1	BRACKET S			
24		20011-86120	1	BRACKET M			
25		20010-86130	4	CUSHION			
26		20010-86140	2	BAND			

8. OUTER PIPE

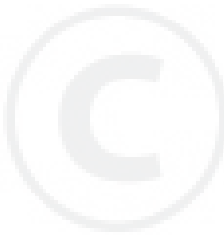


KEY	LV	PART NUMBER	Q'TY	DESCRIPTION	REMARKS	NOTE1	NOTE2
1		72475-12100	1	OUTER PIPE SUB ASSY			
2		22460-12120	5	BUSH			
3		63043-62140	1	GRIP			
4		63000-62311	1	PROTECTOR			
5		22009-12210	1	HANGER			
6		11022-05120	1	BOLT SPW		M5x12	
8		01500-05041	1	NUT	M5	M5	
9		63000-62320	1	THROTTLE LEVER ASSY			
10		63000-62340	1	BODY RIGHT			
11		63000-62350	1	BODY LEFT			
12		63002-62340	1	LEVER			
13		63901-62352	1	LOCK LEVER			
14		63002-62350	1	HOLDER			
15		63880-65350	1	COIL SPRING			
16		63901-62370	1	COIL SPRING			
17		63000-62360	1	SWITCH			
18		63880-65360	3	SCREW TAPPING			
19		11206-05201	1	SCREW PM SPW		M5x20	
20		01501-05030	1	NUT	M5	M5	
21		63880-65411	1	PLUG			
22		70871-65170	1	BUTTON			
23		70871-65180	1	COIL SPRING			
24		70201-83140	1	TUBE			
25		72540-12410	1	MAIN SHAFT			
26		19402-00236	1	LABEL CAUTION			
27		19422-00010	1	LABEL CAUTION			

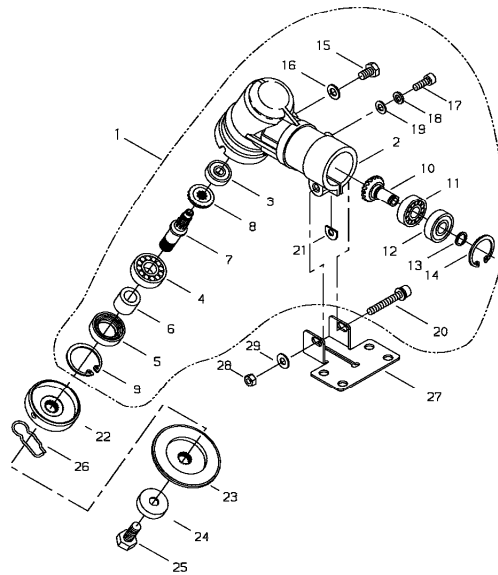
8. OUTER PIPE



KEY	LV	PART NUMBER	Q'TY	DESCRIPTION	REMARKS	NOTE1	NOTE2
28		19404-00039	1	LABEL DECIBEL		114dB(A)	
29		72017-12150	1	HANDLE LABEL			

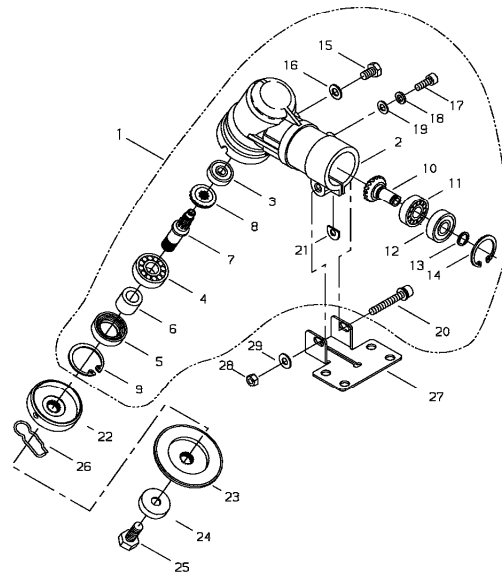


9. GEAR CASE



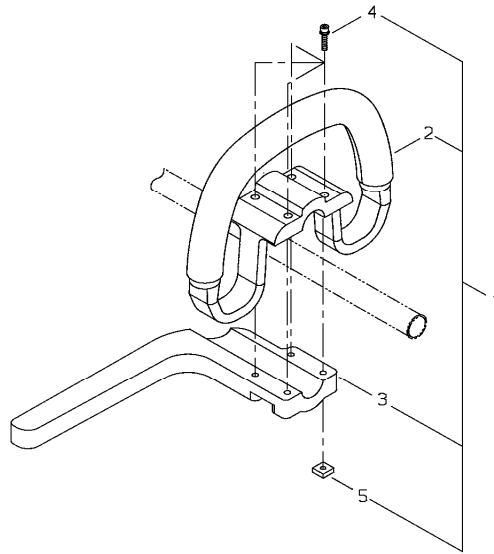
KEY	LV	PART NUMBER	Q'TY	DESCRIPTION	REMARKS	NOTE1	NOTE2
1		72553-63020	1	GEAR CASE COMP			
2	•	22044-13112	1	GEAR CASE			
3	•	02006-06000	1	BEARING		6000DDU	
4	•	02000-06201	1	BEARING		6201	
5	•	22000-13120	1	OIL SEAL			
6	•	22000-13230	1	COLLAR			
7	•	22000-13212	1	GEAR SHAFT			
8	•	22000-13220	1	BEVEL GEAR			
9	•	02432-32120	1	SNAP RING		32mm	
10	•	22460-13391	1	BEVEL PINION COMP			
11	•	02000-06000	1	BEARING		6000	
12	•	02002-06000	1	BALL BEARING		6000ZZ	
13	•	22000-13320	1	SNAP RING			
14	•	02432-26120	1	SNAP RING		26mm	
15	•	22015-13410	1	BOLT			
16	•	22015-13420	1	GASKET			
17	•	01020-05120	1	BOLT	M5*12	M5x12	
18	•	01600-05131	1	SPRING WASHER		5mm	
19	•	01610-05080	1	WASHER		5mm	
20	•	11022-06400	1	BOLT SPW		M6x40	
21	•	22011-13450	1	SHIM			
22		72553-63160	1	HOLDER			
23		37019-63170	1	HOLDER			
24		22000-13290	1	BOLT GUARD			
25		22000-13512	1	BOLT			
26		22000-13530	1	SLIDE PIN			

9. GEAR CASE



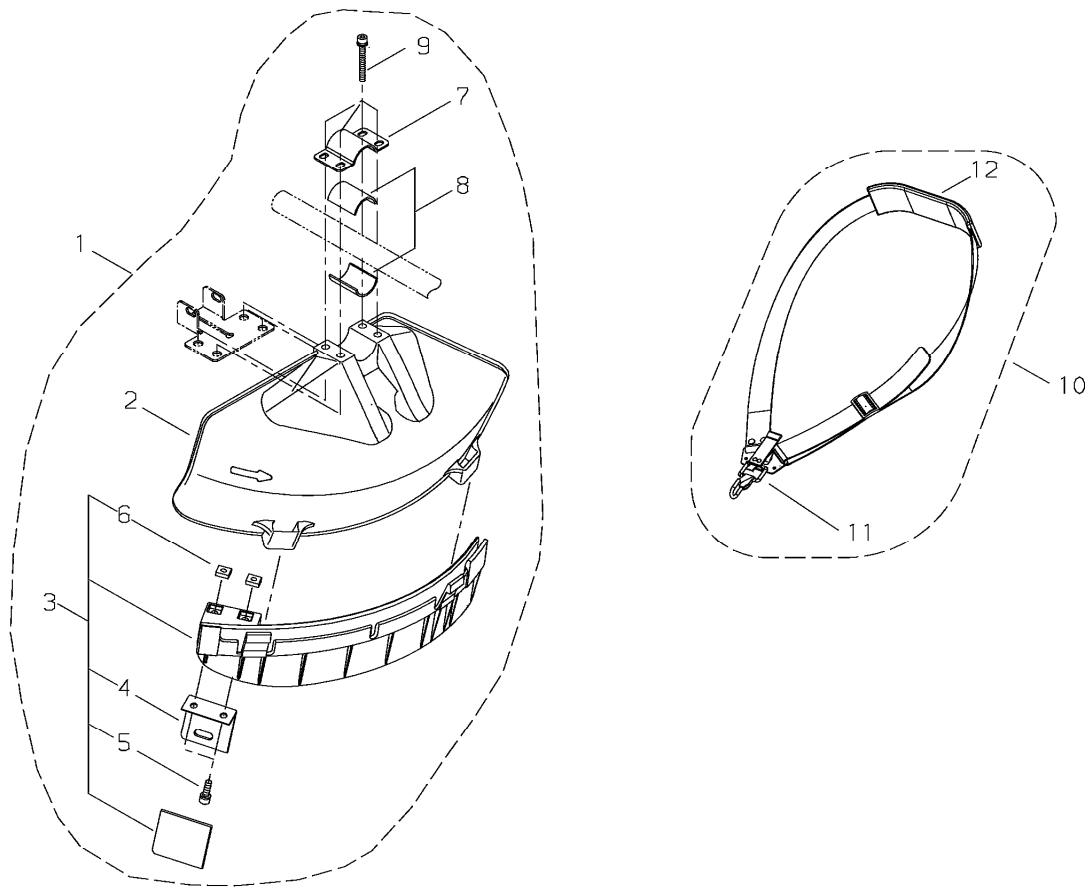
KEY	LV	PART NUMBER	Q'TY	DESCRIPTION	REMARKS	NOTE1	NOTE2
27		72441-16130	1	LOWER CLAMP			
28		01500-06051	1	NUT	M6	M6	
29		01613-06100	1	WASHER		6mm	

10. HANDLE



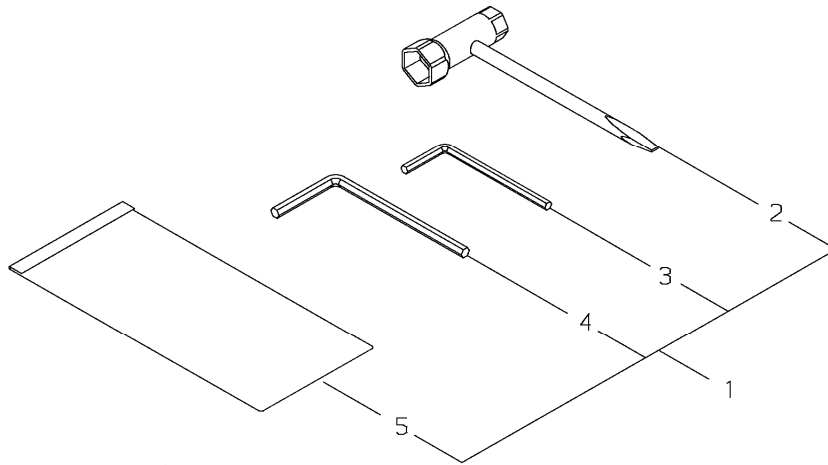
KEY	LV	PART NUMBER	Q'TY	DESCRIPTION	REMARKS	NOTE1	NOTE2
1		65011-64010	1	HANDLE ASSY			
2	•	62901-64112	1	HANDLE			
3	•	65011-64120	1	BARRIER			
4	•	11022-05350	4	BOLT SPW		M5*35 SPW	
5	•	22420-16120	4	NUT			

11. GUARD, STRAP



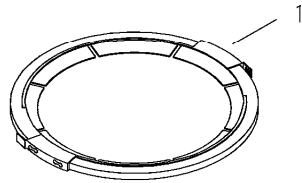
KEY	LV	PART NUMBER	Q'TY	DESCRIPTION	REMARKS	NOTE1	NOTE2
1		64000-66311	1	GUARD SET			
2	•	62903-66111	1	GUARD			
3	•	62903-66332	1	SUB GUARD ASSY			
4	• •	72480-16121	1	CUTTER			
5	• •	11020-05160	2	BOLT SW		M5x16	
6	• •	22420-16120	2	NUT			
7	•	72480-16210	1	UPPER CLAMP			
8	•	72441-16220	2	SPACER			
9	•	11022-05450	4	BOLT SPW		M5x45	
10		22421-17202	1	STRAP ASSY			
11	•	22421-17130	1	HOOK			
12	•	22007-17220	1	PROTECTOR			

12. TOOL

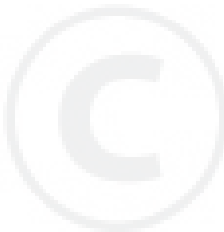


KEY	LV	PART NUMBER	Q'TY	DESCRIPTION	REMARKS	NOTE1	NOTE2
1		62056-92010	1	TOOL SET			
2	•	22000-91181	1	PLUG WRENCH			
3	•	09026-04001	1	HEXA WRENCH	4MM M5㉿	4mm M5	
4	•	09026-05001	1	HEXA WRENCH 6MM		5mm M6	
5	•	19639-01400	1	BAG,PACKING	140*200*T0.08	G-8 140*200*t0.08	

13. BLADE COVER



KEY	LV	PART NUMBER	Q'TY	DESCRIPTION	REMARKS	NOTE1	NOTE2
1		22550-92310	1	BLADE COVER			



Index

Patrs Number	Key No.	Patrs Number	Key No.	Patrs Number	Key No.
01020-04240	4 - 16	12900-62020	2 - 3	20011-35141	2 - 32
01020-05120	9 - 17	12900-62020	2 - 7	20011-35151	2 - 33
01020-05250	1 - 3	13000-13406	4 - 19	20011-71660	4 - 7
01020-05250	2 - 34	19402-00236	8 - 26	20011-72110	4 - 8
01020-05300	2 - 10	19404-00008	6 - 53	20011-72120	4 - 9
01020-06250	1 - 13	19404-00010	6 - 54	20011-81360	6 - 40
01270-25064	7 - 5	19404-00039	8 - 28	20011-81451	6 - 6
01500-05041	8 - 8	19420-00027	5 - 20	20011-81460	6 - 7
01500-06051	9 - 28	19422-00010	8 - 27	20011-81470	6 - 9
01501-05030	8 - 20	19639-01400	12 - 5	20011-81470	6 - 13
01511-10061	4 - 3	20000-72230	4 - 14	20011-81621	6 - 18
01600-04101	4 - 17	20000-72241	4 - 11	20011-81630	6 - 17
01600-05131	1 - 4	20000-72250	4 - 12	20011-83411	6 - 56
01600-05131	2 - 35	20000-76210	5 - 16	20011-86120	7 - 24
01600-05131	9 - 18	20000-81150	6 - 4	20020-51112	3 - 9
01600-10251	4 - 4	20000-81260	6 - 42	20020-51121	3 - 10
01610-05080	2 - 36	20000-81310	6 - 37	20020-51131	3 - 11
01610-05080	9 - 19	20000-81441	6 - 8	20020-51140	3 - 12
01613-06100	9 - 29	20000-81650	6 - 21	20020-51150	3 - 13
02000-06000	9 - 11	20000-85221	7 - 8	20020-75180	5 - 7
02000-06201	9 - 4	20000-85500	7 - 16	20020-76111	5 - 17
02002-06000	9 - 12	20000-85511	7 - 17	20020-83120	6 - 57
02006-06000	9 - 3	20000-85521	7 - 18	20020-85540	7 - 12
02006-06002	2 - 12	20000-85572	7 - 22	20021-86110	7 - 23
02403-03100	4 - 2	20003-81140	6 - 3	20024-12260	1 - 8
02432-26120	9 - 14	20005-83160	6 - 58	20024-75130	5 - 4
02432-32120	2 - 13	20010-12121	1 - 2	20024-75220	5 - 13
02432-32120	9 - 9	20010-12121	3 - 15	20024-75230	5 - 14
09026-04001	12 - 3	20010-21211	2 - 4	20024-75240	5 - 15
09026-05001	12 - 4	20010-21211	2 - 8	20024-81790	6 - 52
11020-05160	11 - 5	20010-41111	3 - 1	20035-75170	5 - 5
11022-04160	5 - 18	20010-41210	3 - 2	20040-81430	6 - 5
11022-05120	8 - 6	20010-41310	3 - 3	20040-81680	6 - 16
11022-05160	2 - 38	20010-41330	3 - 5	20055-81120	6 - 2
11022-05180	2 - 26	20010-42002	3 - 7	20055-81130	6 - 44
11022-05200	2 - 19	20010-71631	4 - 15	20055-81810	6 - 41
11022-05200	2 - 31	20010-71650	4 - 18	20056-81740	6 - 46
11022-05250	1 - 7	20010-72221	4 - 10	20060-12210	1 - 5
11022-05300	2 - 20	20010-75190	5 - 8	20060-81761	6 - 48
11022-05350	10 - 4	20010-75210	5 - 9	20060-81770	6 - 49
11022-05450	11 - 9	20010-75230	5 - 10	20060-81781	6 - 50
11022-05550	6 - 55	20010-86130	7 - 25	20060-83180	6 - 61
11022-06400	9 - 20	20010-86140	7 - 26	20087-81411	6 - 11
11024-04160	2 - 22	20011-12221	1 - 6	20087-81420	6 - 10
11024-05120	1 - 14	20011-31200	2 - 14	20087-81510	6 - 14
11060-04203	5 - 19	20011-31210	2 - 15	20087-81520	6 - 15
11206-05201	8 - 19	20011-31220	2 - 16	20087-81540	6 - 26
11207-04250	6 - 47	20011-31230	2 - 17	20087-81550	6 - 22
12492-50100	2 - 9	20011-35110	2 - 28	20087-81560	6 - 24

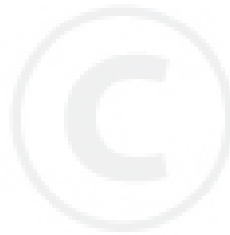
Index

Patrs Number	Key No.	Patrs Number	Key No.	Patrs Number	Key No.
20087-81571	6 - 25	62102-81330	6 - 39	70200-71200	4 - 1
20087-81641	6 - 20	62104-15110	1 - 10	70200-71610	4 - 5
20087-81660	6 - 19	62104-15210	1 - 12	70200-71640	4 - 6
20087-81811	6 - 30	62104-32310	2 - 25	70200-81430	6 - 12
20087-81820	6 - 31	62104-32321	2 - 27	70200-85110	7 - 1
20087-81830	6 - 32	62901-64112	10 - 2	7020085301	7 - 9
20087-81840	6 - 33	62903-66111	11 - 2	70200-85310	7 - 10
20087-81851	6 - 27	62903-66332	11 - 3	70200-85320	7 - 14
20087-81861	6 - 29	63000-62311	8 - 4	70200-85350	7 - 13
20087-81870	6 - 28	63000-62320	8 - 9	70201-83140	8 - 24
20087-81880	6 - 34	63000-62340	8 - 10	70207-31150	2 - 39
20087-81890	6 - 23	63000-62350	8 - 11	70210-51100	3 - 8
22000-13120	9 - 5	63000-62360	8 - 17	70210-51160	3 - 14
22000-13212	9 - 7	63002-62340	8 - 12	70871-65170	8 - 22
22000-13220	9 - 8	63002-62350	8 - 14	70871-65180	8 - 23
22000-13230	9 - 6	63043-62140	8 - 3	72017-12150	8 - 29
22000-13290	9 - 24	63880-65350	8 - 15	72051-98011	3 - 16
22000-13320	9 - 13	63880-65360	8 - 18	72051-98310	3 - 17
22000-13512	9 - 25	63880-65411	8 - 21	72441-16130	9 - 27
22000-13530	9 - 26	63901-62352	8 - 13	72441-16220	11 - 8
22000-91181	12 - 2	63901-62370	8 - 16	72475-12100	8 - 1
22007-17220	11 - 12	64000-66311	11 - 1	72480-16121	11 - 4
22009-12210	8 - 5	65011-64010	10 - 1	72480-16210	11 - 7
22011-13450	9 - 21	65011-64120	10 - 3	72540-12410	8 - 25
22015-13410	9 - 15	70012-31111	2 - 11	72553-63020	9 - 1
22015-13420	9 - 16	70012-35130	2 - 29	72553-63160	9 - 22
22044-13112	9 - 2	70056-83130	6 - 60	72920-81820	6 - 38
22100-41230	3 - 4	70062-21200	2 - 5	72921-21121	2 - 6
22100-82430	6 - 51	70102-81710	6 - 45	72935-21101	2 - 1
22100-85240	7 - 19	70107-81830	6 - 43	72935-21111	2 - 2
22100-85250	7 - 20	70131-34100	2 - 21	72935-85330	7 - 11
22100-85260	7 - 21	70131-75110	5 - 2		
22128-57250	7 - 4	70131-75120	5 - 3		
22150-21350	7 - 6	70131-75140	5 - 6		
22155-21330	7 - 7	70131-75200	5 - 11		
22169-35400	7 - 15	70131-75211	5 - 12		
22420-16120	10 - 5	70131-75900	5 - 1		
22420-16120	11 - 6	70131-81180	6 - 36		
22421-17130	11 - 11	70136-35170	2 - 30		
22421-17202	11 - 10	70168-85201	7 - 2		
22460-12120	8 - 2	70168-85210	7 - 3		
22460-13391	9 - 10	70180-72260	4 - 13		
22550-92310	13 - 1	70192-31510	2 - 18		
37019-63170	9 - 23	70196-12110	1 - 1		
62000-83110	6 - 59	70196-32110	2 - 23		
62056-92010	12 - 1	70196-32141	2 - 24		
62102-15010	1 - 9	70200-15151	1 - 11		
62102-81010	6 - 1	70200-33112	2 - 37		
62102-81320	6 - 35	70200-41341	3 - 6		

YAMABIKO CORPORATION

7-2 SUEHIROCHO 1-CHOME, OHME, TOKYO 198-8760, JAPAN
PHONE: 81-428-32-6118. FAX: 81-428-32-6145.

shindaiwa[®]



EC1
No.