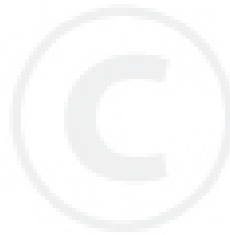


shindaiwa[®]

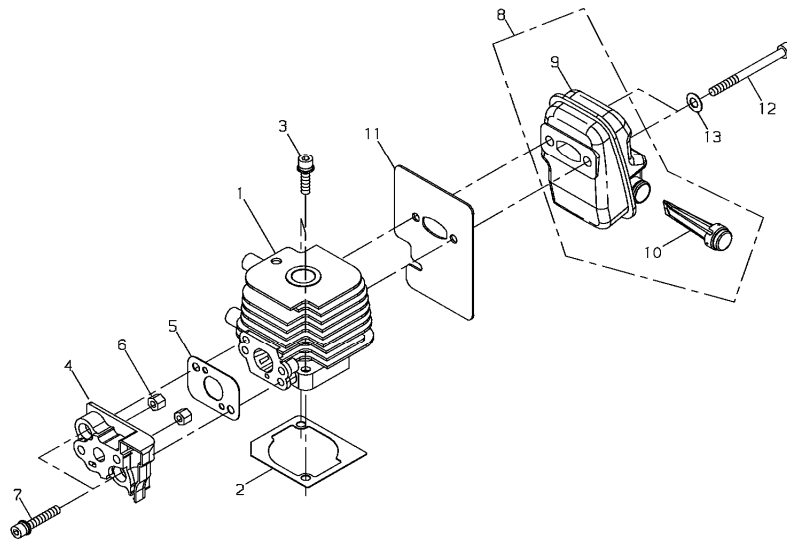
PARTS CATALOG

**TRIMMER
T220 EC1**



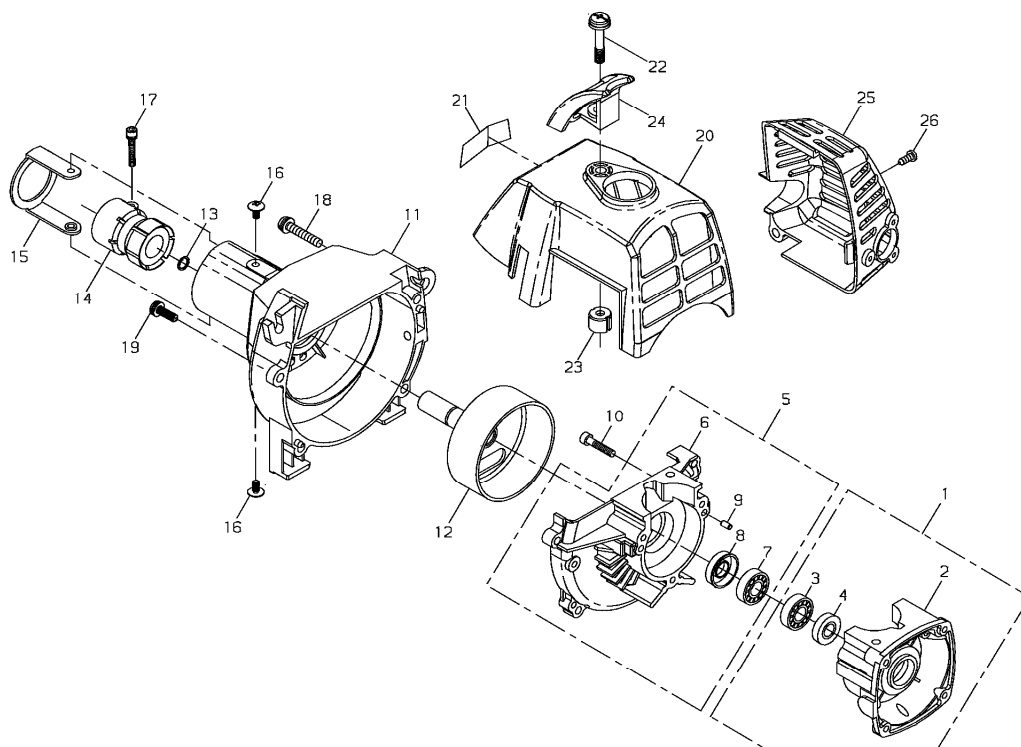
T220 EC1

1. CYLINDER, MUFFLER



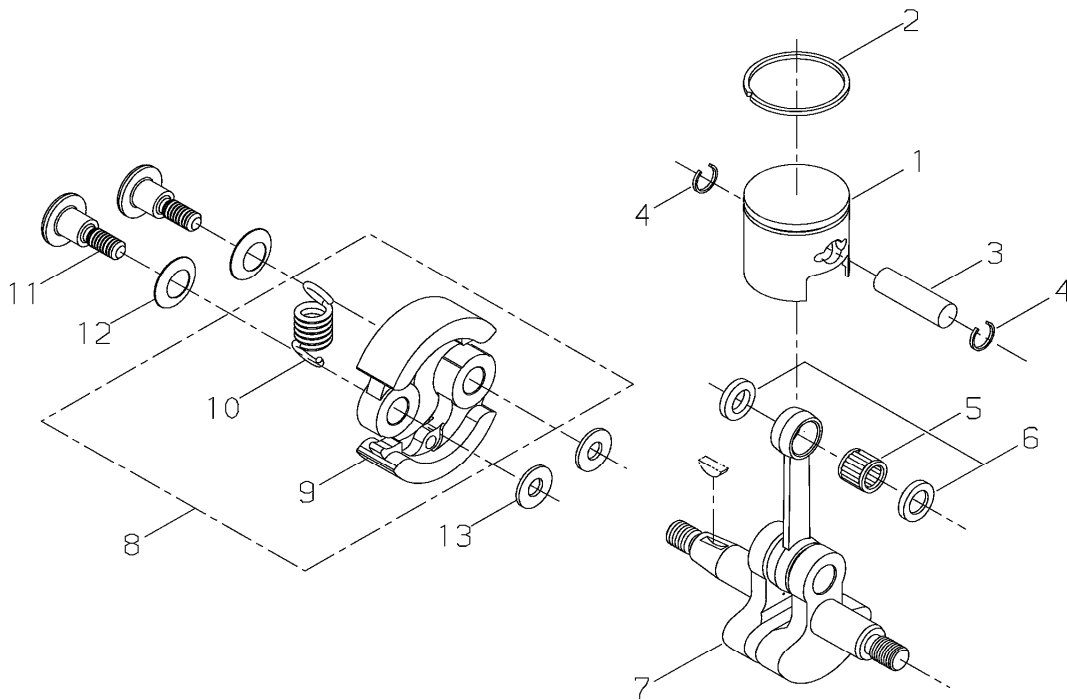
KEY	LV	PART NUMBER	Q'TY	DESCRIPTION	REMARKS	NOTE1	NOTE2
1		20142-12110	1	CYLINDER			
2		20016-12120	1	GASKET			
3		11022-05250	2	BOLT SPW		M5*25 (SW,PW)	
4		20140-12210	1	INSULATOR			
5		20140-12221	1	GASKET			
6		20011-12260	2	NUT			
7		11022-05250	2	BOLT SPW		M5*25 (SW,PW)	
8		67000-15010	1	MUFFLER ASSY			
9		67000-15110	1	MUFFLER			
10		67000-15340	1	SPARK ARRESTER			
11		20140-15120	1	GASKET			
12		01020-05400	2	BOLT		M5*40	
13		01610-05080	2	WASHER		5mm T:0.8 MFZN3-C	

2. CRANKCASE, FANCOVER



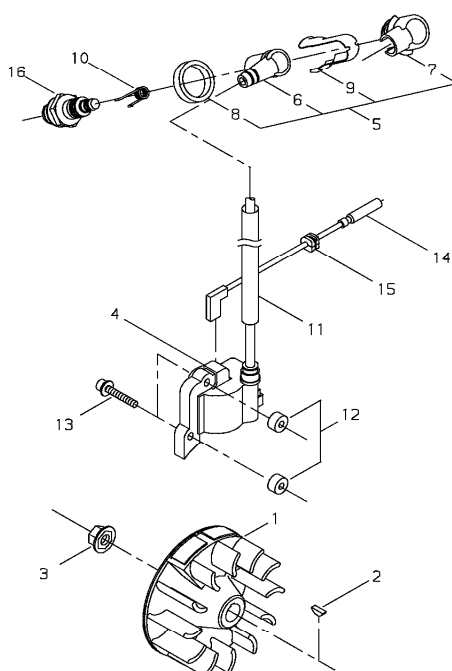
KEY	LV	PART NUMBER	Q'TY	DESCRIPTION	REMARKS	NOTE1	NOTE2
1		20035-21101	1	CRANK CASE S COMP			
2		20036-21112	1	CRANK CASE S			
3		12900-60010	1	BALL BEARING		6001	
4		22150-21250	1	SEAL,OIL			
5		20140-21201	1	CRANK CASE M COMP			
6		20036-21124	1	CRANK CASE M			
7		12900-60010	1	BALL BEARING		6001	
8		20000-21211	1	OIL SEAL			
9		12492-40080	2	ROLLER			
10		01020-05250	3	BOLT		M5*25	
11		20142-31113	1	FAN COVER			
12		20016-31212	1	CLUTCH DRUM			
13		20000-31140	1	SNAP RING			
14		20087-31411	1	JOINT			
15		20142-31420	1	STOPPER			
16		11260-04081	2	SCREW ADHESIVE		M4*8	
17		11020-05220	1	BOLT-SW		M5*22 SW	
18		11206-05300	1	SCREW PM SPW			
19		11206-05160	1	SCREW PM SPW		M5*16	
20		20140-32112	1	CYLINDER COVER			
21		62090-91320	1	LABEL TRADE			
22		20140-31250	1	SCREW PM SLPW			
23		20140-31260	1	INSULATOR			
24		20140-34112	1	PROTECTOR			
25		20142-32211	1	MUFFLER COVER			
26		22160-32210	1	SCREW PC			

3. PISTON, CRANKSHAFT



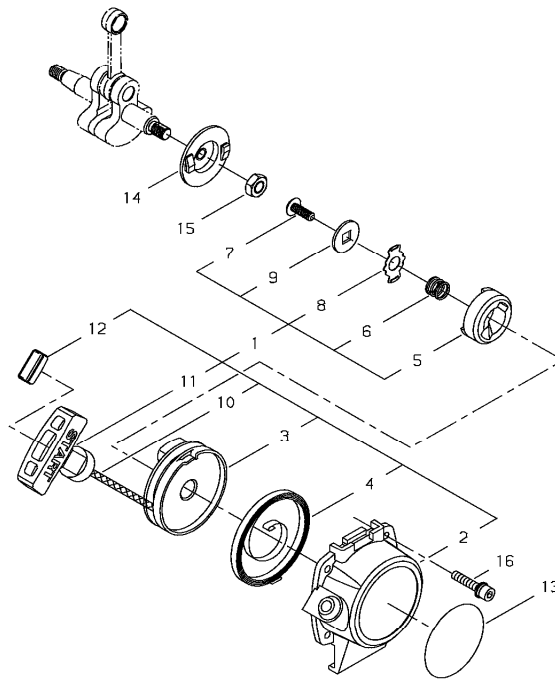
KEY	LV	PART NUMBER	Q'TY	DESCRIPTION	REMARKS	NOTE1	NOTE2
1		20142-41111	1	PISTON			
2		20142-41210	1	PISTON RING			
3		20142-41310	1	PISTON PIN			
4		70030-41320	2	RING,END			
5		67000-41230	1	NEEDLE BEARING			
6		20016-41340	2	THRUST WASHER			
7		67000-42010	1	CRANK SHAFT			
8		62090-51020	1	CLUTCH SHOE ASSY			
9	·	20035-51111	2	CLUTCH SHOE			
10	·	37013-51310	1	COIL SPRING			
11		20142-51210	2	BOLT			
12		20087-51231	2	SPRING PLATE			
13		22100-71430	2	WASHER			

4. MAGNETO



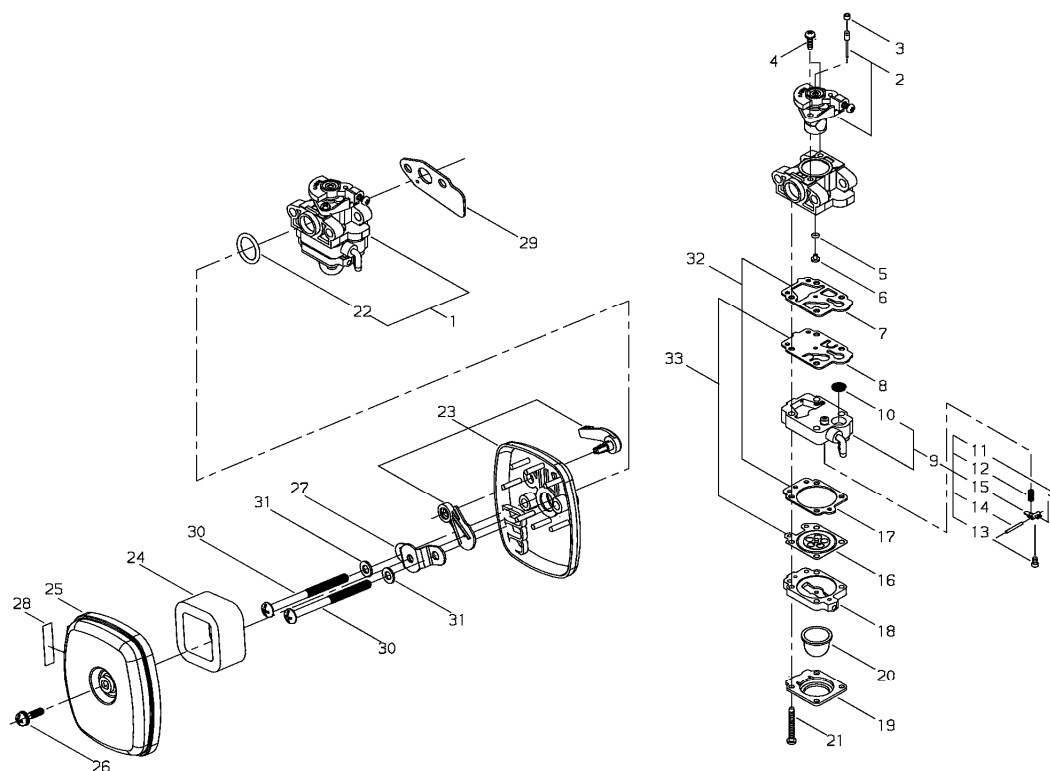
KEY	LV	PART NUMBER	Q'TY	DESCRIPTION	REMARKS	NOTE1	NOTE2
1		20140-71200	1	ROTOR			
2		02403-03100	1	KEY	3*10	3*10	
3		20035-71220	1	NUT			
4		20140-71600	1	COIL ASSY			
5		70223-72200	1	PLUG CAP COMP			
6		20010-72221	1	PLUG CAP			
7		20000-72241	1	PLUG CAP COVER			
8		20000-72250	1	COVER BAND			
9		70180-72260	1	SHIELD			
10		20000-72230	1	SPRING SPARK PLUG			
11		70064-72111	1	TUBE			
12		70030-71620	2	INSULATOR			
13		11024-04261	2	BOLT		M4*26	
14		67000-71240	1	CORD			
15		20011-72120	1	GROMMET			
16		13000-13406	1	SPARK PLUG BMR6A		BMR6A	

5. RECOIL STARTER



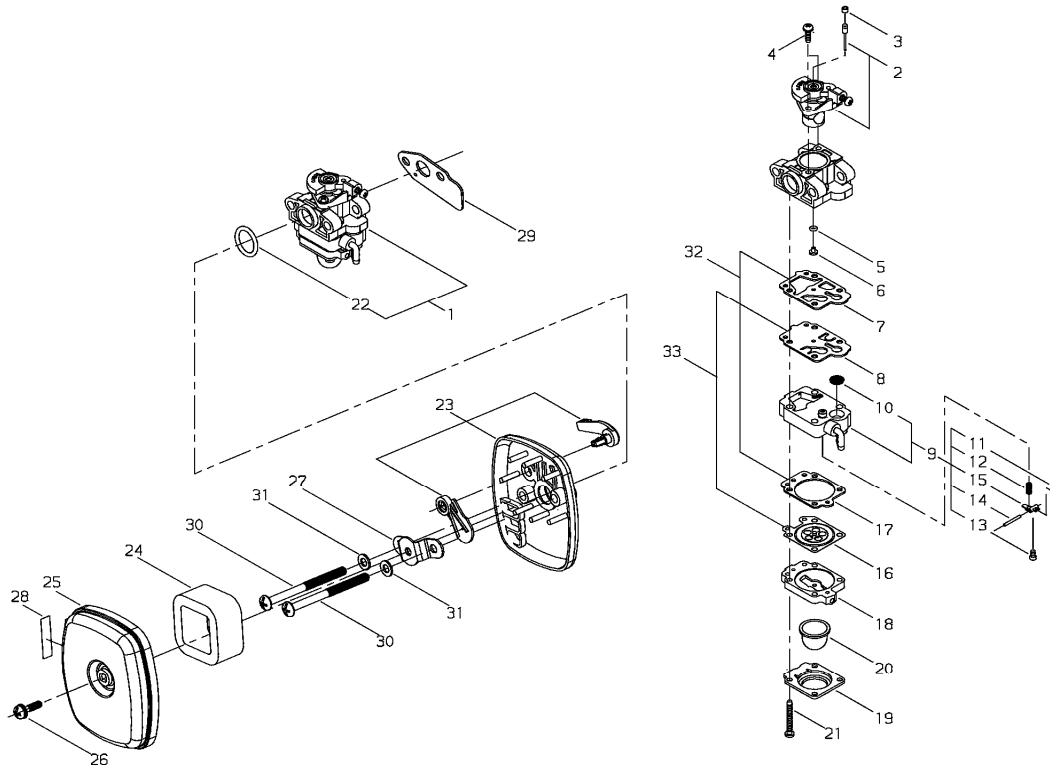
KEY	LV	PART NUMBER	Q'TY	DESCRIPTION	REMARKS	NOTE1	NOTE2
1		20140-75900	1	RECOIL STARETR			
2	•	20140-75110	1	STARTER CASE			
3	•	20140-75120	1	REEL			
4	•	20140-75130	1	SPRING			
5	•	20140-75140	1	DOG			
6	•	20140-75150	1	BRAKE SPRING			
7	•	20140-75160	1	SCREW			
8	•	20140-75170	1	RETAINER			
9	•	20140-75180	1	WASHER			
10	•	70064-75190	1	ROPE			
11	•	70064-75211	1	HANDLE			
12	•	70064-75220	1	STOPPER			
13		62090-91330	1	NAME PLATE			
14		20140-75310	1	STARTER PULLEY			
15		01511-08051	1	NUT		M8*5	
16		11024-04120	2	BOLT SPW			

6. CARBURETOR, AIR CLEANER



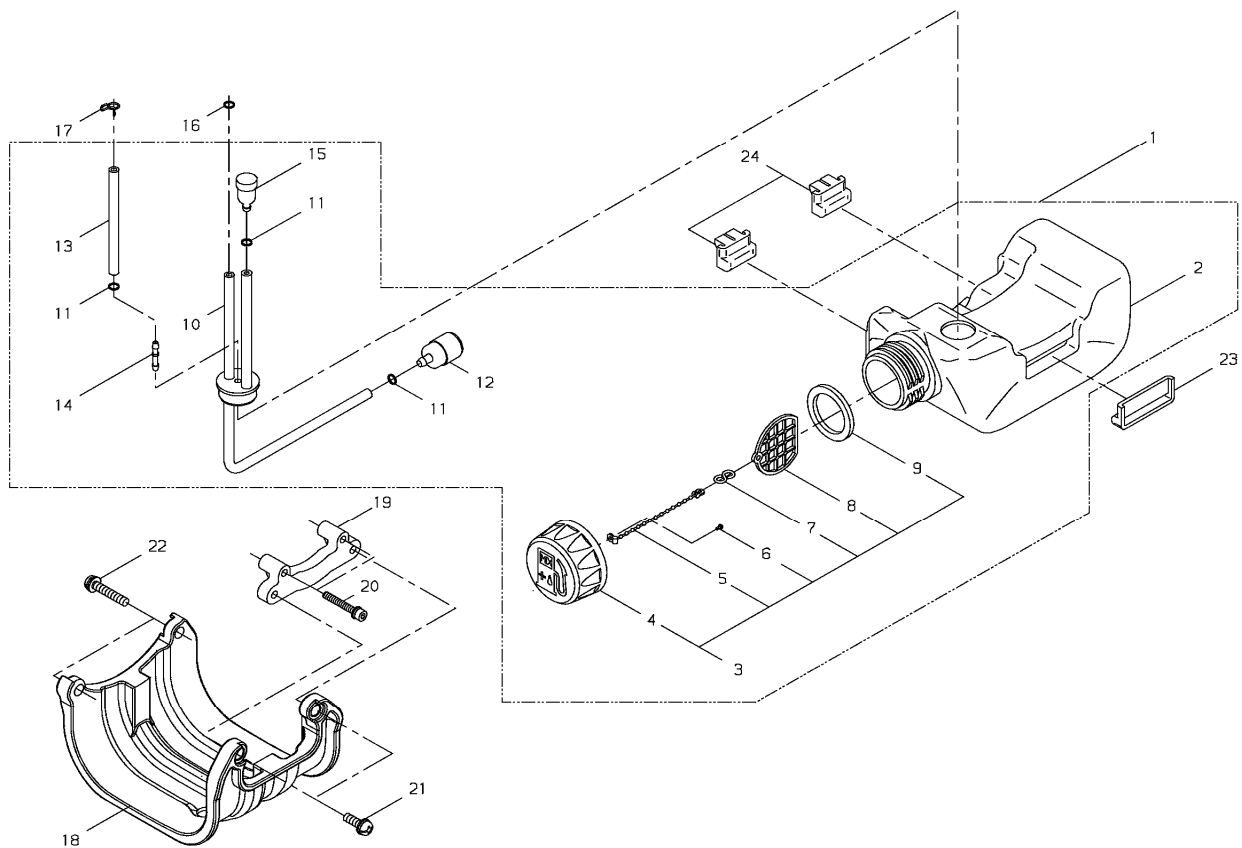
KEY	LV	PART NUMBER	Q'TY	DESCRIPTION	REMARKS	NOTE1	NOTE2
1		67000-81010	1	CARBURETOR ASSY			
2	•	20016-81180	1	VALVE ASSY			
3	•	62074-81320	1	PLAG			
4	•	70064-81290	2	SCREW	M3*10		
5	•	70097-81220	1	O-RING			
6	•	67000-81330	1	MAIN JET			
7	•	70097-81310	1	GASKET,PUMP			
8	•	70097-81320	1	DIAPHRAGM			
9	•	72933-81410	1	PUMP BODY ASSY			
10	•	70030-81380	1	SCREEN			
11	•	20036-81440	1	VALVE			
12	•	72933-81270	1	SPRING			
13	•	20016-81450	1	SCREW			
14	•	22100-81250	1	PIN			
15	•	22100-81230	1	LEVER, METERING			
16	•	22100-81260	1	DIAPHRAGM ASM			
17	•	20016-81280	1	GASKET			
18	•	20016-81420	1	PUMP BASE COMP			
19	•	20016-81510	1	PUMP COVER			
20	•	20036-81670	1	PRIMER PUMP			
21	•	20016-81140	4	SCREW			
22	•	20016-81250	1	O RING			
23		20140-81700	1	CLEANER BODY			
24		20140-82210	1	FILTER			
25		20140-81790	1	CLEANER COVER			
26		37019-82340	1	SCREW PM SLPW			

6. CARBURETOR, AIR CLEANER



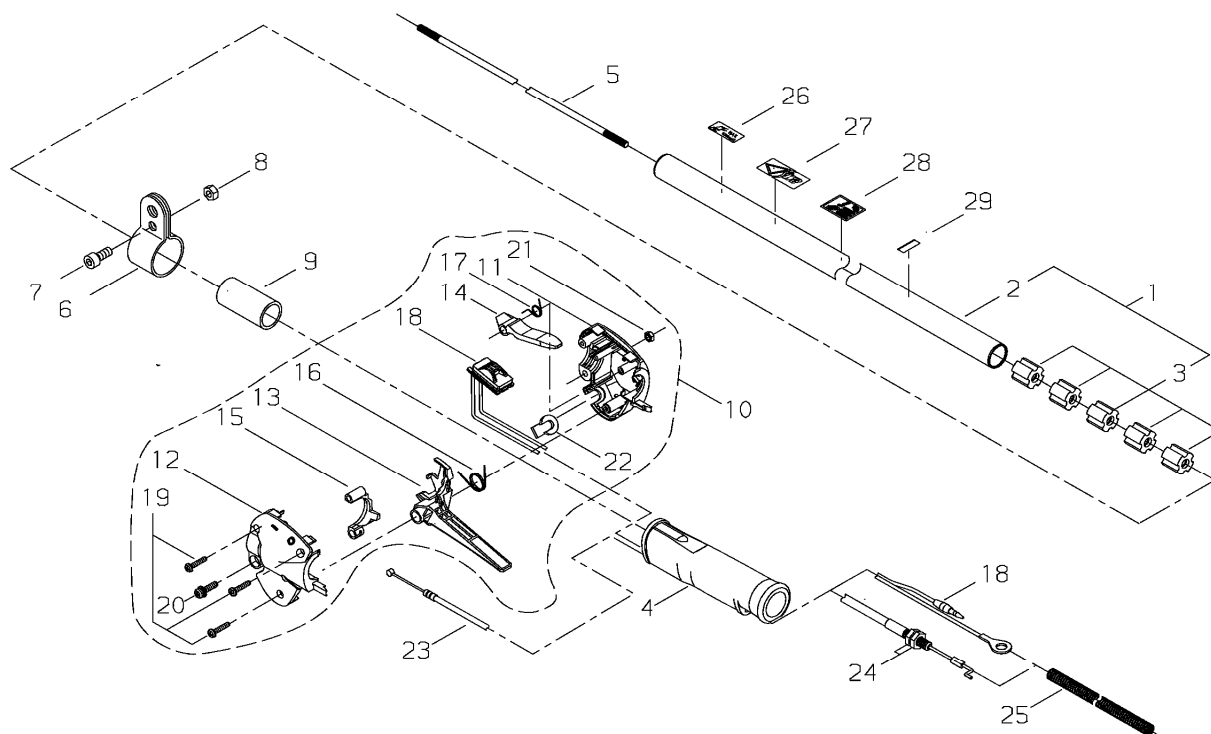
KEY	LV	PART NUMBER	Q'TY	DESCRIPTION	REMARKS	NOTE1	NOTE2
27		20018-81721	1	BACK PLATE			
28		19404-00008	1	LABEL CHOKE			
29		20140-81350	1	GASKET			
30		11203-05658	2	SCREW PM			
31		01610-05080	2	WASHER			
32		20016-81910	1	GASKET KIT			
33		70097-81920		DIAPHRAGM KIT			

7. FUEL TANK



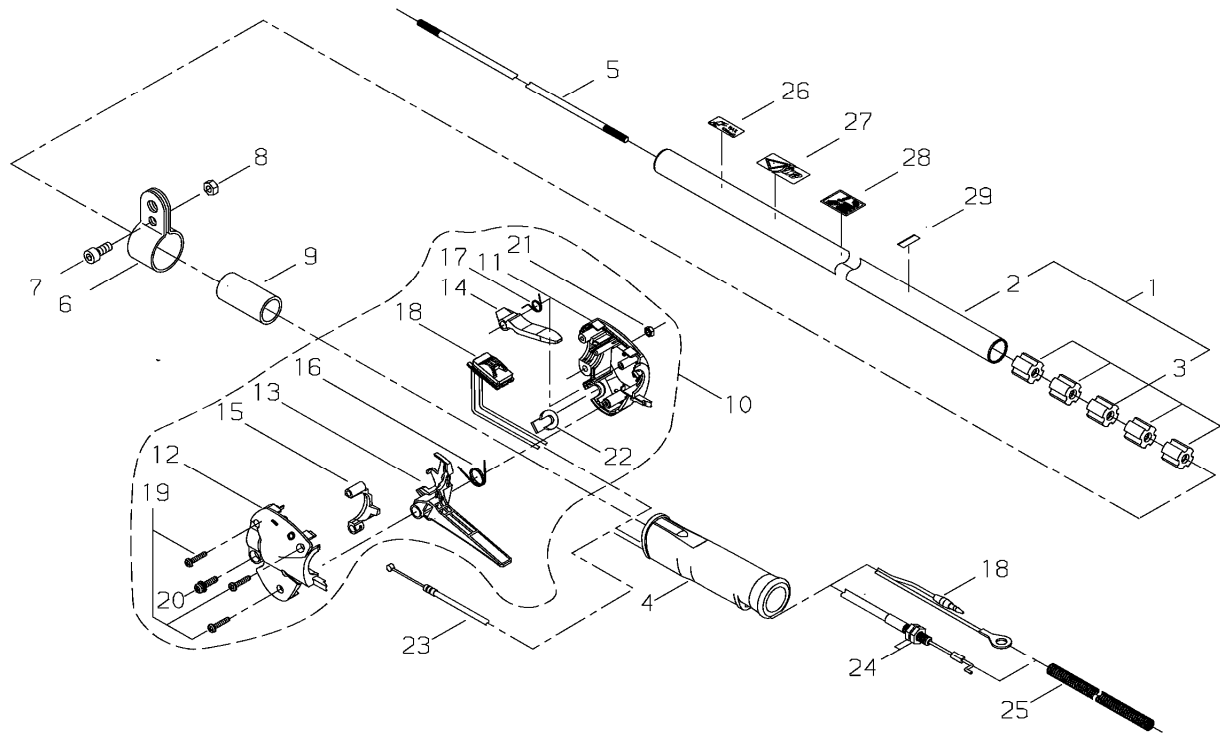
KEY	LV	PART NUMBER	Q'TY	DESCRIPTION	REMARKS	NOTE1	NOTE2
1		62002-85013	1	FUEL TANK ASSY			
2	▪	20142-85113	1	FUEL TANK			
3	▪	70168-85201	1	FUEL CAP ASSY			
4	▪▪	70168-85210	1	FUEL CAP			
5	▪▪	22128-57250	1	CHAIN CAP			
6	▪▪	22155-21330	1	HOOK			
7	▪▪	01270-25064	1	SCREW TAPPING			
8	▪▪	22150-21350	1	CLIP			
9	▪▪	20000-85221	1	GASKET			
10	▪	20140-85310	1	FUEL PIPE			
11	▪	20020-85540	3	CLIP			
12	▪	20016-85400	1	FUEL FILTER			
13	▪	20112-85361	1	PIPE			
14	▪	72933-85620	1	JOINT			
15	▪	20035-85522	1	VALVE			
16		20020-85540	1	CLIP			
17		37013-85310	1	CLIP			
18		62902-85320	1	TANK GUARD			
19		67000-86310	1	BRACKET			
20		11024-04300	2	BOLT SW			
21		11206-05180	2	SCREW PM			
22		11206-05350	2	SCREW PM SPW			
23		20087-86130	1	TANK CUSHION			
24		20087-86141	2	TANK CUSHION			

8. OUTER PIPE



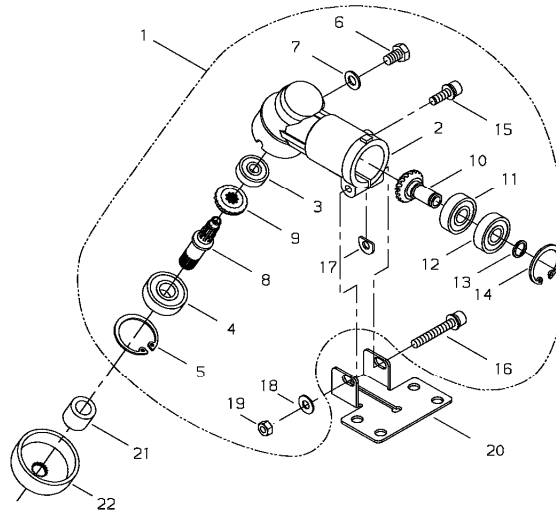
KEY	LV	PART NUMBER	Q'TY	DESCRIPTION	REMARKS	NOTE1	NOTE2
1		22554-12101	1	OUTER PIPE COMP			
2		22553-12110	1	OUTER PIPE			
3		22410-12120	5	BUSH			
4		63901-62142	1	GRIP			
5		22070-12410	1	MAIN SHAFT			
6		22410-12210	1	HANGER			
7		01020-05120	1	BOLT	M5*12	M5*12	
8		01500-05041	1	NUT	M5	M5 MFZN3-C	
9		65006-62310	1	PROTECTOR			
10		63076-62021	1	THROTTLE LEVER ASSY			
11		63002-62320	1	BODY RIGHT			
12		63002-62330	1	BODY LEFT			
13		63002-62340	1	LEVER			
14		63901-62352	1	LOCK LEVER			
15		63002-62350	1	HOLDER			
16		63880-65350	1	COIL SPRING			
17		63901-62370	1	COIL SPRING			
18		63076-62310	1	SWITCH			
19		63880-65360	3	SCREW TAPPING			
20		11206-05201	1	SCREW PM SPW			
21		01501-05030	1	NUT	M5		
22		63880-65411	1	PLUG			
23		63002-62170	1	THROTTLE CABLE			
24		01501-06041	2	NUT	M6	M6 MFZN3-C	
25		22422-14540	1	TUBE			

8. OUTER PIPE



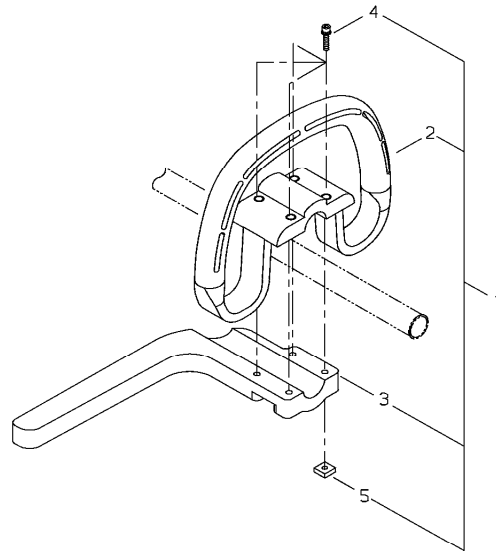
KEY	LV	PART NUMBER	Q'TY	DESCRIPTION	REMARKS	NOTE1	NOTE2
26		19402-00223	1	LABEL CAUTION		MAX 8500MIN-1	
27		19422-00010	1	LABEL CAUTION			
28		19404-00035	1	LABEL DECIBEL		110dB(A)	
29		72017-12150	1	HANDLE LABEL			

9. GEAR CASE



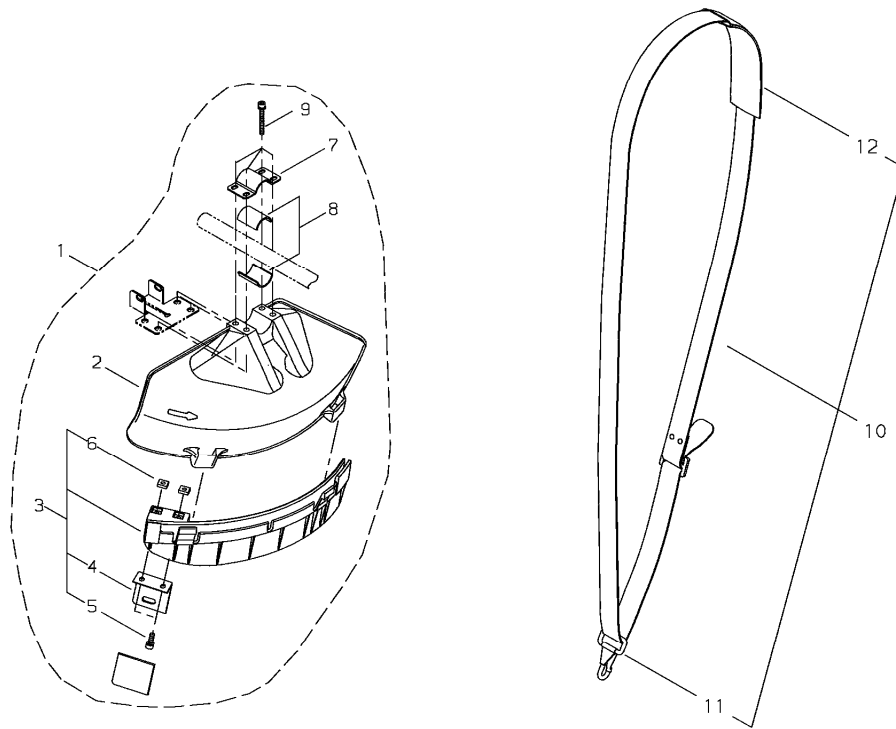
KEY	LV	PART NUMBER	Q'TY	DESCRIPTION	REMARKS	NOTE1	NOTE2
1		67007-63020	1	GEAR CASE SUB ASSY			
2	•	22035-13113	1	GEAR CASE			
3	•	02000-00626	1	BEARING		626	
4	•	02006-06000	1	BEARING		6000DDU	
5	•	02432-26120	1	SNAP RING		26mm	
6	•	01014-06100	1	BOLT			
7	•	22000-13410	1	GASKET			
8	•	22410-13210	1	GEAR SHAFT			
9	•	22035-13220	1	BEVEL GEAR			
10	•	22035-13391	1	PINION SET			
11	•	02000-00608	1	BEARING		608	
12	•	02002-00608	1	BEARING	608ZZ	608ZZ	
13	•	22035-13340	1	SNAP RING			
14	•	02432-22100	1	SNAP RING			
15	•	11022-05160	1	BOLT SPW		M5x16	
16	•	11022-05350	1	BOLT SPW		M5x35 SPW	
17	•	22000-13420	1	SHIM			
18	•	01613-05080	1	WASHER		MFZN3-C	
19	•	01500-05041	1	NUT	M5	M5 MFZN3-C	
20		72480-16130	1	LOWER CLAMP			
21		72432-13230	1	COLLAR			
22		72432-13240	1	HOLDER			

10. HANDLE



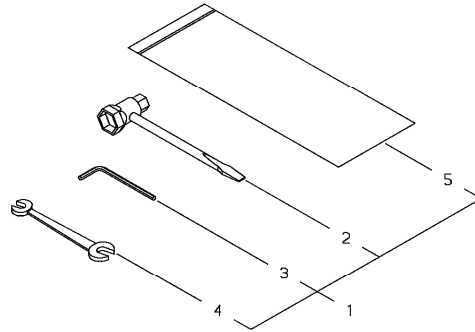
KEY	LV	PART NUMBER	Q'TY	DESCRIPTION	REMARKS	NOTE1	NOTE2
1		62002-64011	1	HANDLE			
2	•	62901-64322	1	HANDLE			
3	•	65011-64120	1	BARRIER			
4	•	11022-05350	4	BOLT SPW		M5*35 SPW	
5	•	22420-16120	4	NUT			

11. GUARD, STRAP



KEY	LV	PART NUMBER	Q'TY	DESCRIPTION	REMARKS	NOTE1	NOTE2
1		62903-66322	1	GUARD SET			
2	▪	62903-66111	1	GUARD			
3	▪	62903-66332	1	SUB GUARD ASSY			
4	▪▪	72480-16121	1	CUTTER			
5	▪▪	11020-05160	2	BOLT SW		M5x16	
6	▪▪	22420-16120	2	NUT			
7	▪	72480-16210	1	UPPER CLAMP			
8	▪	72480-16220	2	SPACER			
9	▪	11022-05450	4	BOLT SPW		M5x45 SPW	
10		22410-17202	1	STRAP ASSY			
11	▪▪	37013-67310	1	HOOK			
12	▪▪	22007-17220	1	PROTECTOR			

12. TOOL



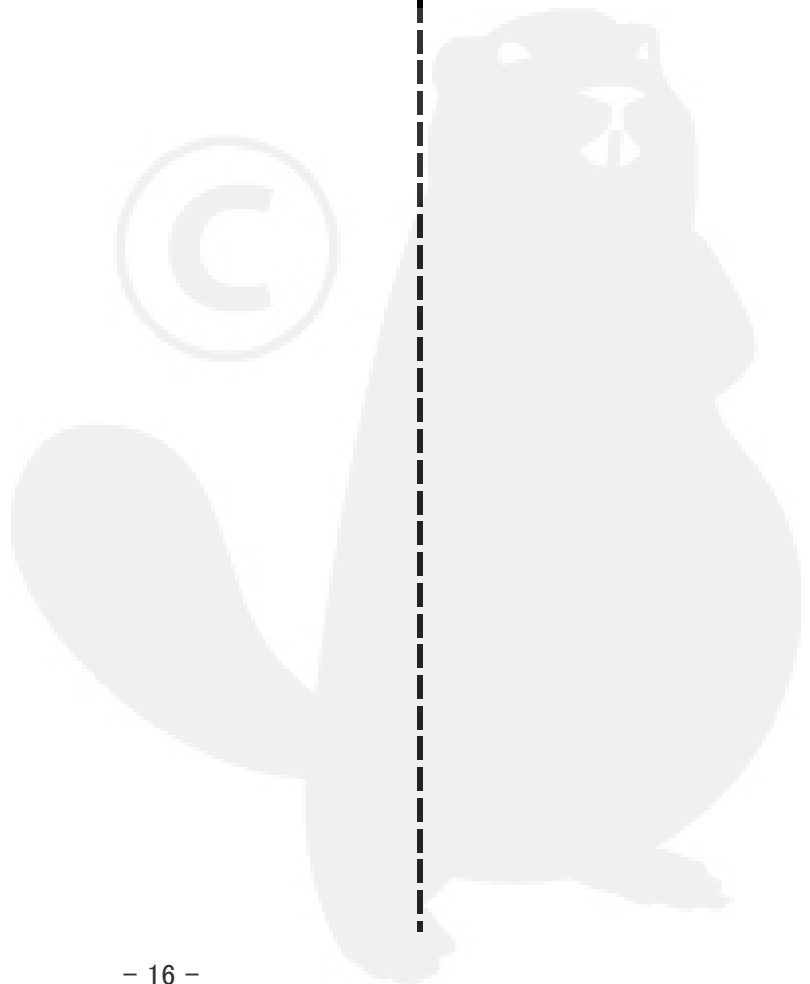
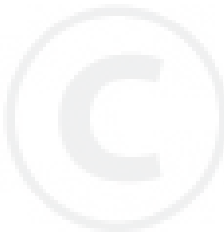
KEY	LV	PART NUMBER	Q'TY	DESCRIPTION	REMARKS	NOTE1	NOTE2
1		22410-91000	1	TOOL SET			
2	•	22000-91181	1	PLUG WRENCH			
3	•	09026-04001	1	HEXA WRENCH	4MM M5㉿	4mm	
4	•	22000-91120	1	SPANNER			
5	•	19639-01400	1	BAG,PACKING	140*200*T0.08		

Index

Patrs Number	Key No.	Patrs Number	Key No.	Patrs Number	Key No.
01014-06100	9 - 6	20000-31140	2 - 13	20140-75140	5 - 5
01020-05120	8 - 7	20000-72230	4 - 10	20140-75150	5 - 6
01020-05250	2 - 10	20000-72241	4 - 7	20140-75160	5 - 7
01020-05400	1 - 12	20000-72250	4 - 8	20140-75170	5 - 8
01270-25064	7 - 7	20000-85221	7 - 9	20140-75180	5 - 9
01500-05041	8 - 8	20010-72221	4 - 6	20140-75310	5 - 14
01500-05041	9 - 19	20011-12260	1 - 6	20140-75900	5 - 1
01501-05030	8 - 21	20011-72120	4 - 15	20140-81350	6 - 29
01501-06041	8 - 24	20016-12120	1 - 2	20140-81700	6 - 23
01511-08051	5 - 15	20016-31212	2 - 12	20140-81790	6 - 25
01610-05080	1 - 13	20016-41340	3 - 6	20140-82210	6 - 24
01610-05080	6 - 31	20016-81140	6 - 21	20140-85310	7 - 10
01613-05080	9 - 18	20016-81180	6 - 2	20142-12110	1 - 1
02000-00608	9 - 11	20016-81250	6 - 22	20142-31113	2 - 11
02000-00626	9 - 3	20016-81280	6 - 17	20142-31420	2 - 15
02002-00608	9 - 12	20016-81420	6 - 18	20142-32211	2 - 25
02006-06000	9 - 4	20016-81450	6 - 13	20142-41111	3 - 1
02403-03100	4 - 2	20016-81510	6 - 19	20142-41210	3 - 2
02432-22100	9 - 14	20016-81910	6 - 32	20142-41310	3 - 3
02432-26120	9 - 5	20016-85400	7 - 12	20142-51210	3 - 11
09026-04001	12 - 3	20018-81721	6 - 27	20142-85113	7 - 2
11020-05160	11 - 5	20020-85540	7 - 11	22000-13410	9 - 7
11020-05220	2 - 17	20020-85540	7 - 16	22000-13420	9 - 17
11022-05160	9 - 15	20035-21101	2 - 1	22000-91120	12 - 4
11022-05250	1 - 3	20035-51111	3 - 9	22000-91181	12 - 2
11022-05250	1 - 7	20035-71220	4 - 3	22007-17220	11 - 12
11022-05350	9 - 16	20035-85522	7 - 15	22035-13113	9 - 2
11022-05350	10 - 4	20036-21112	2 - 2	22035-13220	9 - 9
11022-05450	11 - 9	20036-21124	2 - 6	22035-13340	9 - 13
11024-04120	5 - 16	20036-81440	6 - 11	22035-13391	9 - 10
11024-04261	4 - 13	20036-81670	6 - 20	22070-12410	8 - 5
11024-04300	7 - 20	20087-31411	2 - 14	22100-71430	3 - 13
11203-05658	6 - 30	20087-51231	3 - 12	22100-81230	6 - 15
11206-05160	2 - 19	20087-86130	7 - 23	22100-81250	6 - 14
11206-05180	7 - 21	20087-86141	7 - 24	22100-81260	6 - 16
11206-05201	8 - 20	20112-85361	7 - 13	22128-57250	7 - 5
11206-05300	2 - 18	20140-12210	1 - 4	22150-21250	2 - 4
11206-05350	7 - 22	20140-12221	1 - 5	22150-21350	7 - 8
11260-04081	2 - 16	20140-15120	1 - 11	22155-21330	7 - 6
12492-40080	2 - 9	20140-21201	2 - 5	22160-32210	2 - 26
12900-60010	2 - 3	20140-31250	2 - 22	22410-12120	8 - 3
12900-60010	2 - 7	20140-31260	2 - 23	22410-12210	8 - 6
13000-13406	4 - 16	20140-32112	2 - 20	22410-13210	9 - 8
19402-00223	8 - 26	20140-34112	2 - 24	22410-17202	11 - 10
19404-00008	6 - 28	20140-71200	4 - 1	22410-91000	12 - 1
19404-00035	8 - 28	20140-71600	4 - 4	22420-16120	10 - 5
19422-00010	8 - 27	20140-75110	5 - 2	22420-16120	11 - 6
19639-01400	12 - 5	20140-75120	5 - 3	22422-14540	8 - 25
20000-21211	2 - 8	20140-75130	5 - 4	22553-12110	8 - 2

Index

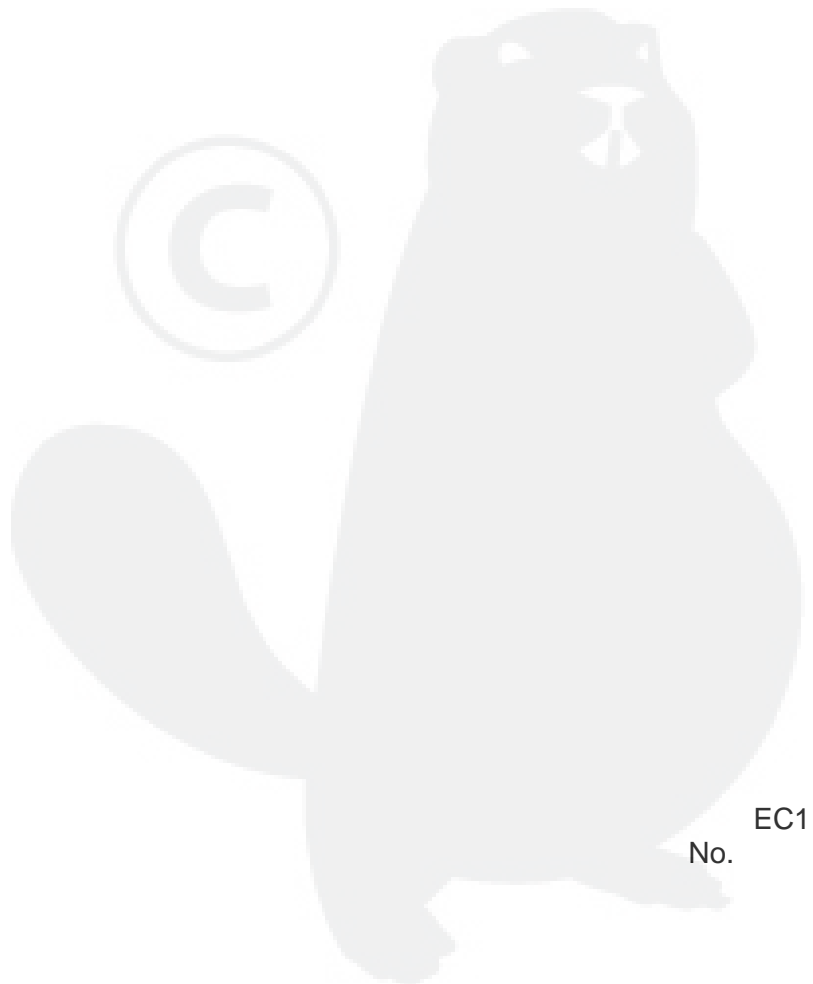
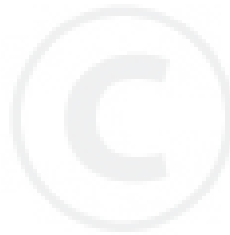
Patrs Number	Key No.	Patrs Number	Key No.	Patrs Number	Key No.
22554-12101	8 - 1	70097-81220	6 - 5		
37013-51310	3 - 10	70097-81310	6 - 7		
37013-67310	11 - 11	70097-81320	6 - 8		
37013-85310	7 - 17	70097-81920	6 - 33		
37019-82340	6 - 26	70168-85201	7 - 3		
62002-64011	10 - 1	70168-85210	7 - 4		
62002-85013	7 - 1	70180-72260	4 - 9		
62074-81320	6 - 3	70223-72200	4 - 5		
62090-51020	3 - 8	72017-12150	8 - 29		
62090-91320	2 - 21	72432-13230	9 - 21		
62090-91330	5 - 13	72432-13240	9 - 22		
62901-64322	10 - 2	72480-16121	11 - 4		
62902-85320	7 - 18	72480-16130	9 - 20		
62903-66111	11 - 2	72480-16210	11 - 7		
62903-66322	11 - 1	72480-16220	11 - 8		
62903-66332	11 - 3	72933-81270	6 - 12		
63002-62170	8 - 23	72933-81410	6 - 9		
63002-62320	8 - 11	72933-85620	7 - 14		
63002-62330	8 - 12				
63002-62340	8 - 13				
63002-62350	8 - 15				
63076-62021	8 - 10				
63076-62310	8 - 18				
63880-65350	8 - 16				
63880-65360	8 - 19				
63880-65411	8 - 22				
63901-62142	8 - 4				
63901-62352	8 - 14				
63901-62370	8 - 17				
65006-62310	8 - 9				
65011-64120	10 - 3				
67000-15010	1 - 8				
67000-15110	1 - 9				
67000-15340	1 - 10				
67000-41230	3 - 5				
67000-42010	3 - 7				
67000-71240	4 - 14				
67000-81010	6 - 1				
67000-81330	6 - 6				
67000-86310	7 - 19				
67007-63020	9 - 1				
70030-41320	3 - 4				
70030-71620	4 - 12				
70030-81380	6 - 10				
70064-72111	4 - 11				
70064-75190	5 - 10				
70064-75211	5 - 11				
70064-75220	5 - 12				
70064-81290	6 - 4				



YAMABIKO CORPORATION

7-2 SUEHIROCHO 1-CHOME, OHME, TOKYO 198-8760, JAPAN
PHONE: 81-428-32-6118. FAX: 81-428-32-6145.

shindaiwa[®]



EC1
No.