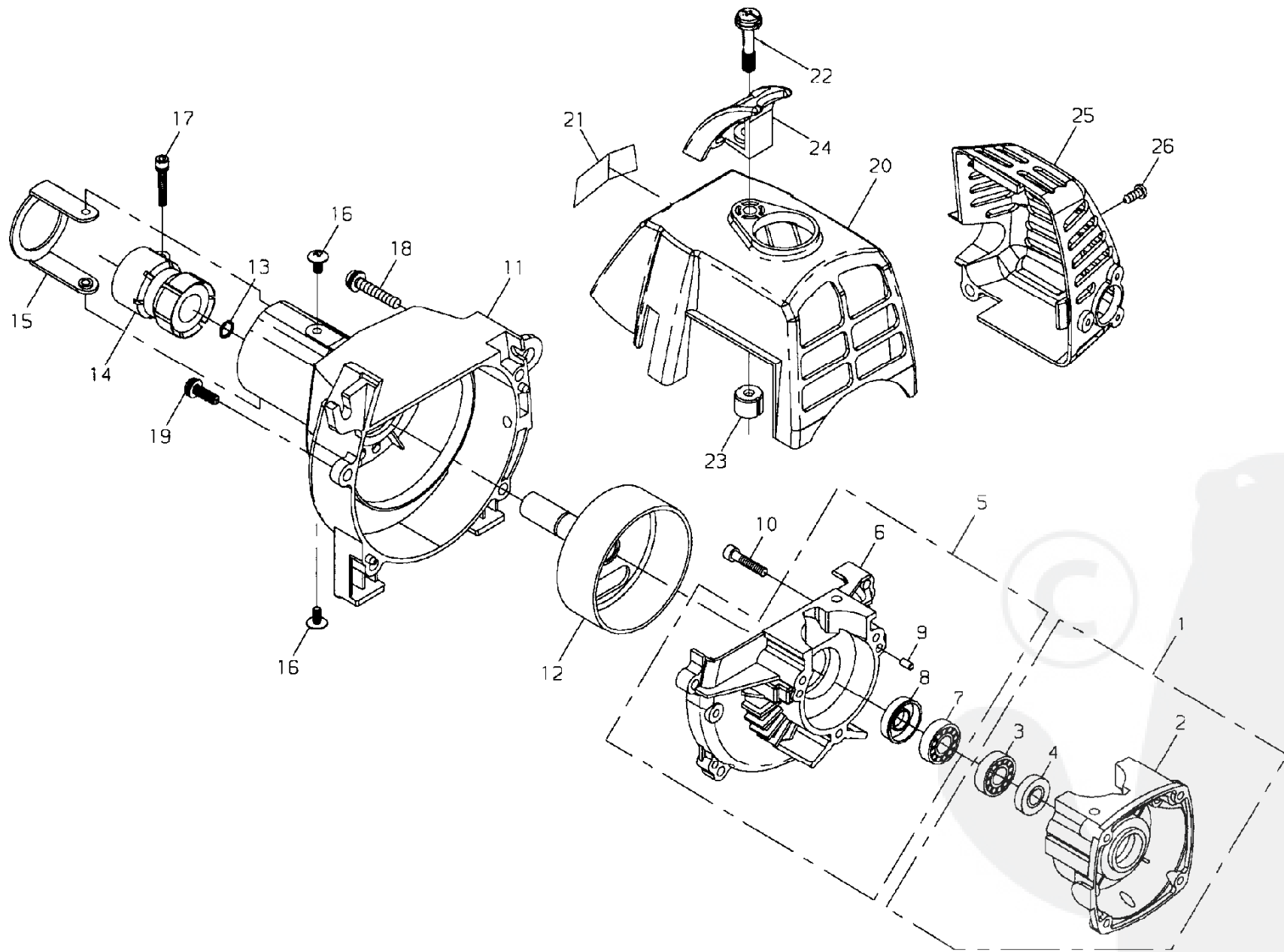


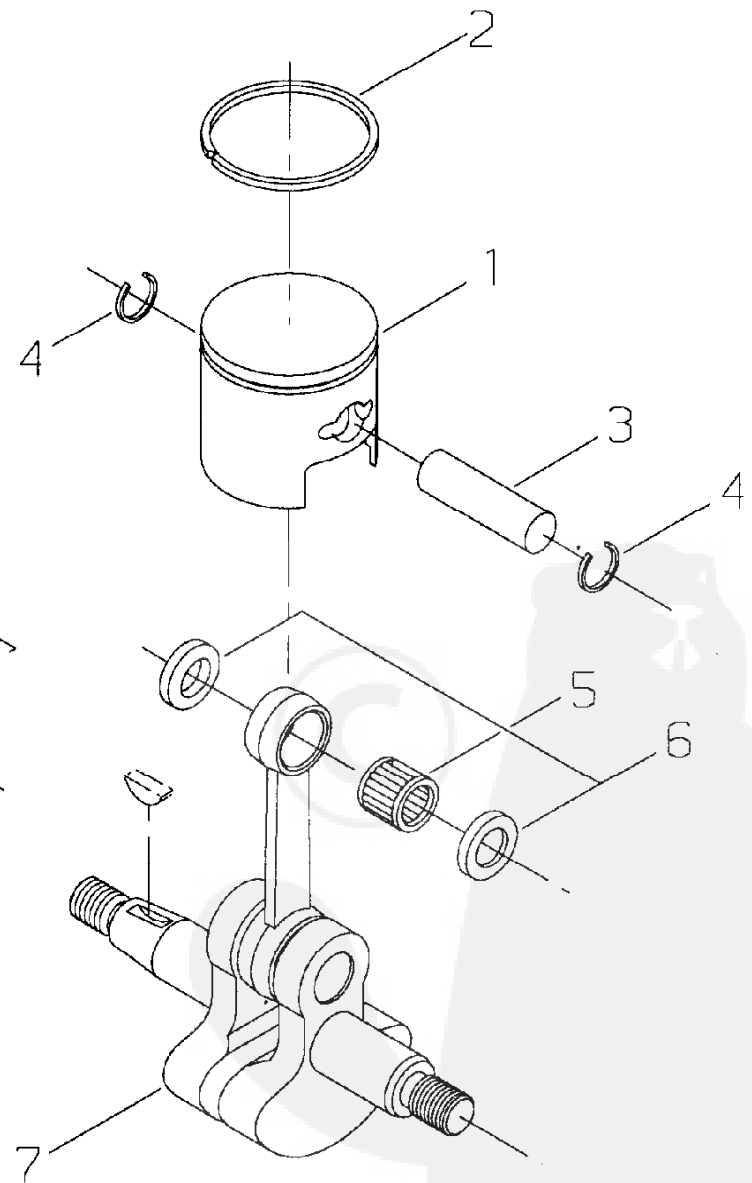
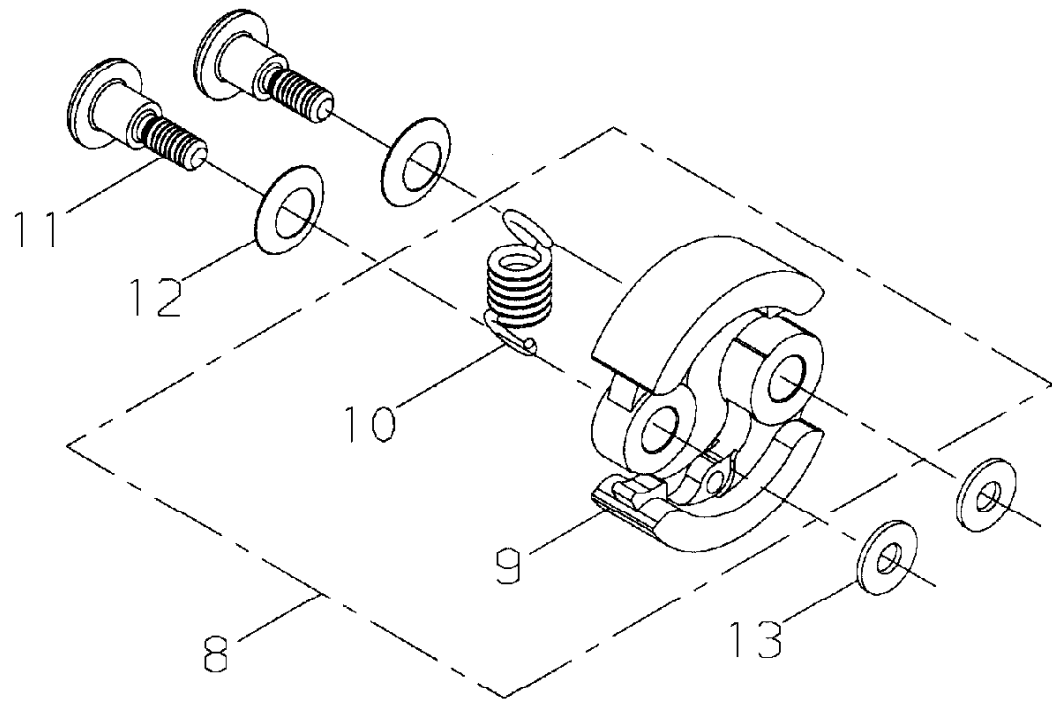
Ref. No	Part No.	Part Name	Q`ty	Remarks,Serial No.
1- 1	20142-12110	CYLINDER	1	
2	20016-12120	GASKET	1	
3	11022-05250	BOLTSPW	2	
4	20140-12210	INSULATOR	1	
5	20140-12221	GASKET	1	
6	20011-12260	NUT	2	
7	11022-05250	BOLTSPW	2	
8	67000-15010	MUFFLERASSY	1	
9	67000-15110	*MUFFLER	1	
10	67000-15340	*SPARKARRESTER	1	
11	20140-15120	GASKET	1	
12	01020-05400	BOLT	2	
13	01610-05080	WASHER	2	





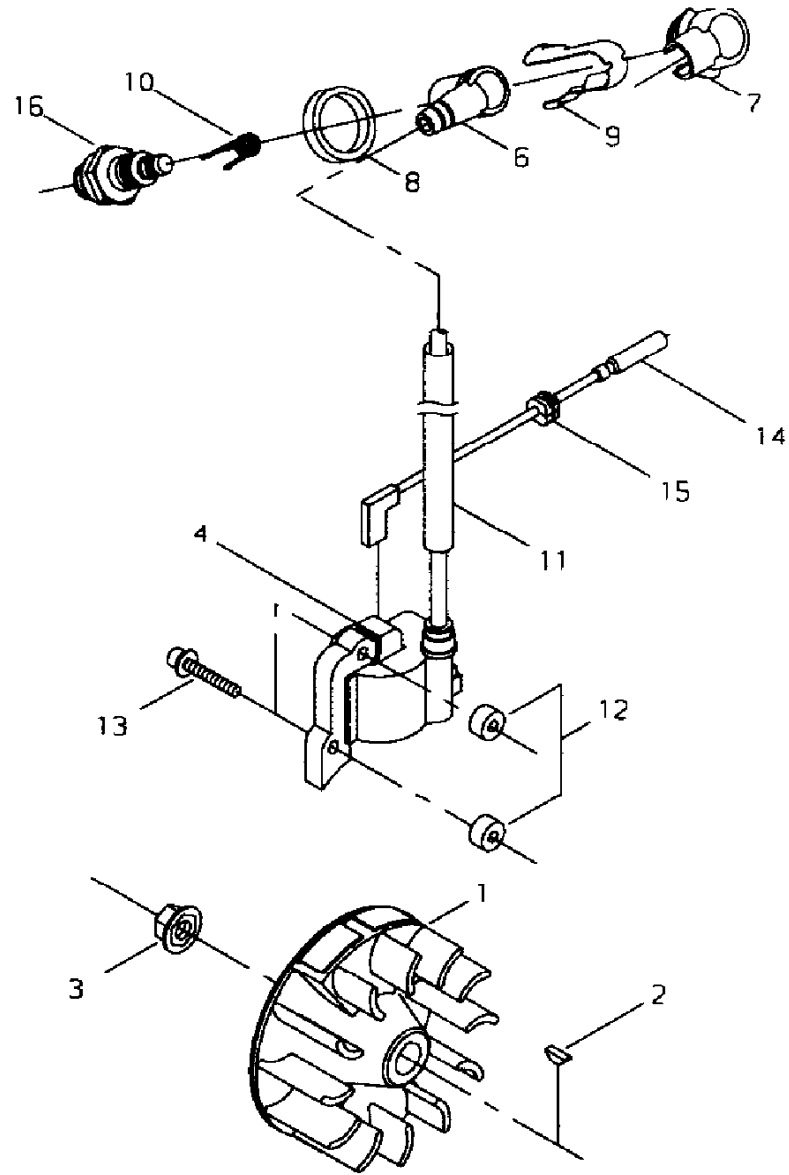
2-1	20035-21101	CRANKCASESCOMP	1	
2	20036-21112	*CRANKCASES	1	
3	12900-60010	*BEARING	1	
4	22150-21250	*OILSEAL	1	
5	20140-21201	CRANKCASEMCOMP	1	
6	20036-21124	*CRANKCASEM	1	
7	12900-60010	*BEARING	1	
8	20000-21211	*OILSEAL	1	
9	12492-40080	*ROLLER	2	
10	01020-05250	BOLT	3	
11	20142-31113	FANCOVER	1	
12	20016-31212	CLUTCHDRUM	1	
13	20000-31140	SNAPRING	1	
14	20087-31411	JOINT	1	
15	20142-31420	STOPPER	1	
16	11260-04081	SCREWADHESIVE	2	
17	11020-05220	BOLTSW	1	
18	11206-05300	SCREWPMSPW	1	
19	11206-05160	SCREWPMSPW	1	
20	20140-32112	CYLINDERCOVER	1	
21	62095-91320	LABELTRADE	1	
22	20140-31250	SCREWPMSLPW	1	
23	20140-31260	INSULATOR	1	
24	20140-34112	PROTECTOR	1	
25	20142-32211	MUFFLERCOVER	1	
26	22160-32210	SCREWPC	1	





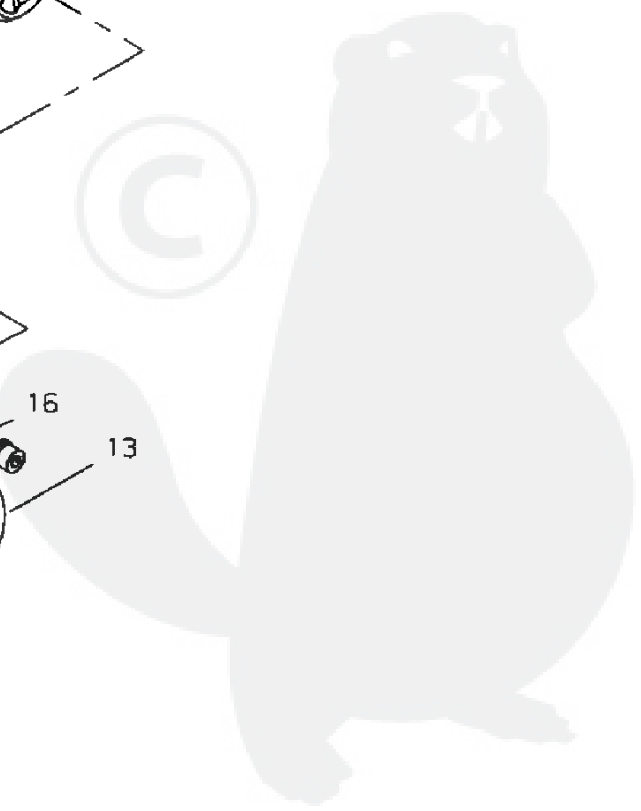
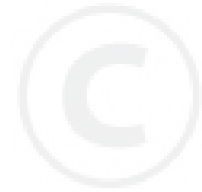
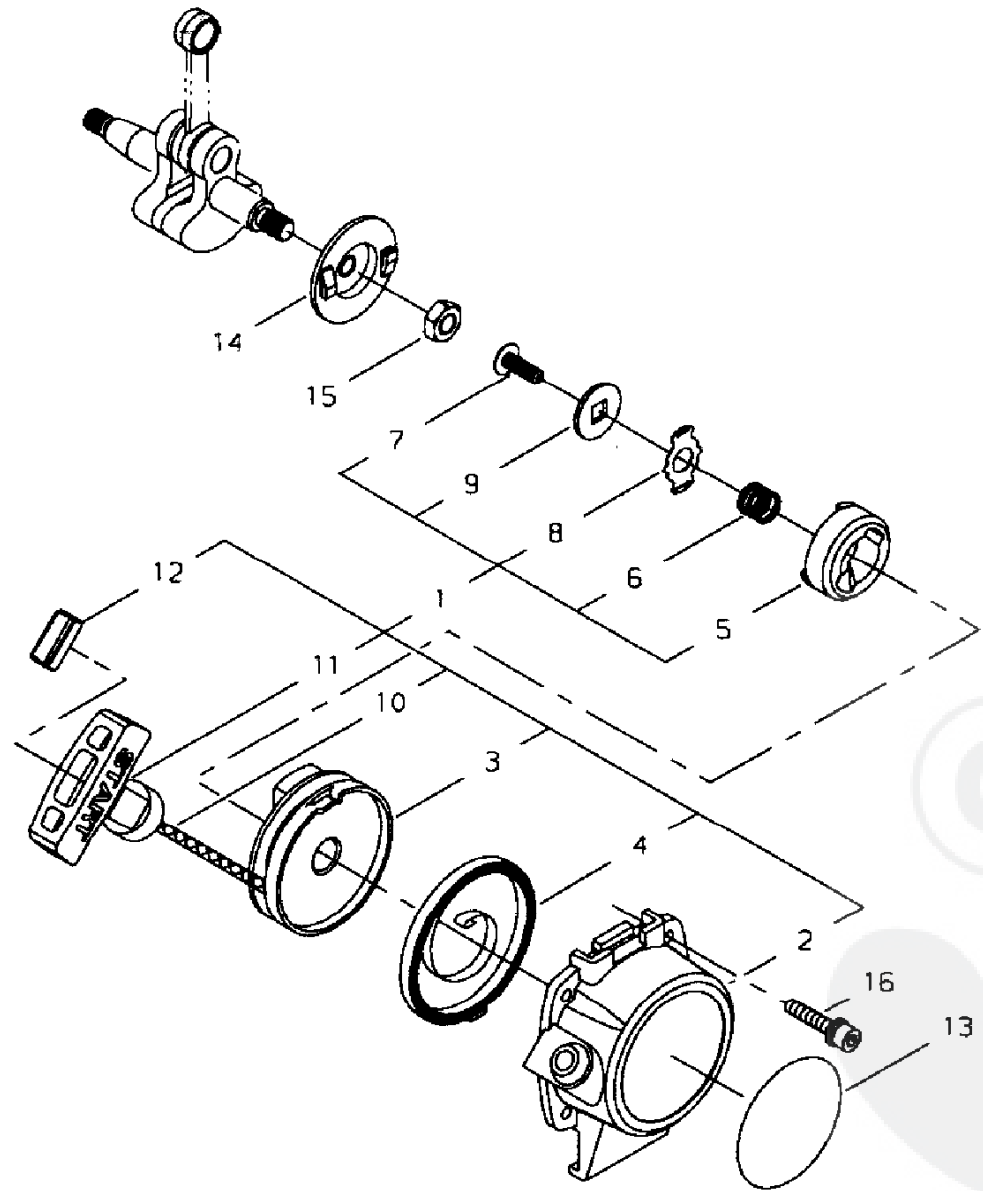
3- 1	20142-41110	PISTON	1	
2	20142-41210	PISTONRING	1	
3	20142-41310	PISTONPIN	1	
4	70030-41320	SNAPRING	2	
5	67000-41230	NEEDLEBEARING	1	
6	20016-41340	THRUSTWASHER	2	
7	67000-42010	CRANKSHAFT	1	
8	62090-51020	CLUTCHSHOEASSY	1	
9	20035-51111	*CLUTCHSHOE	2	
10	37013-51310	*COILSPRING	1	
11	20142-51210	BOLT	2	
12	20087-51231	SPRINGPLATE	2	
13	22100-71430	WASHER	2	





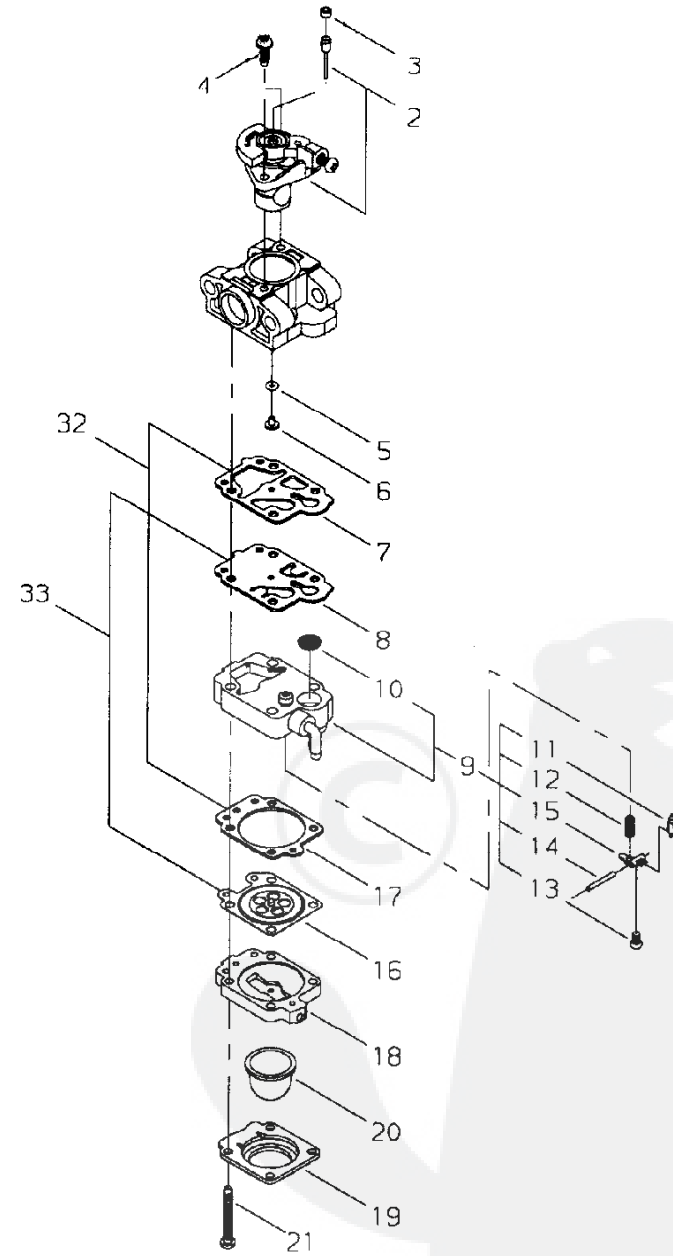
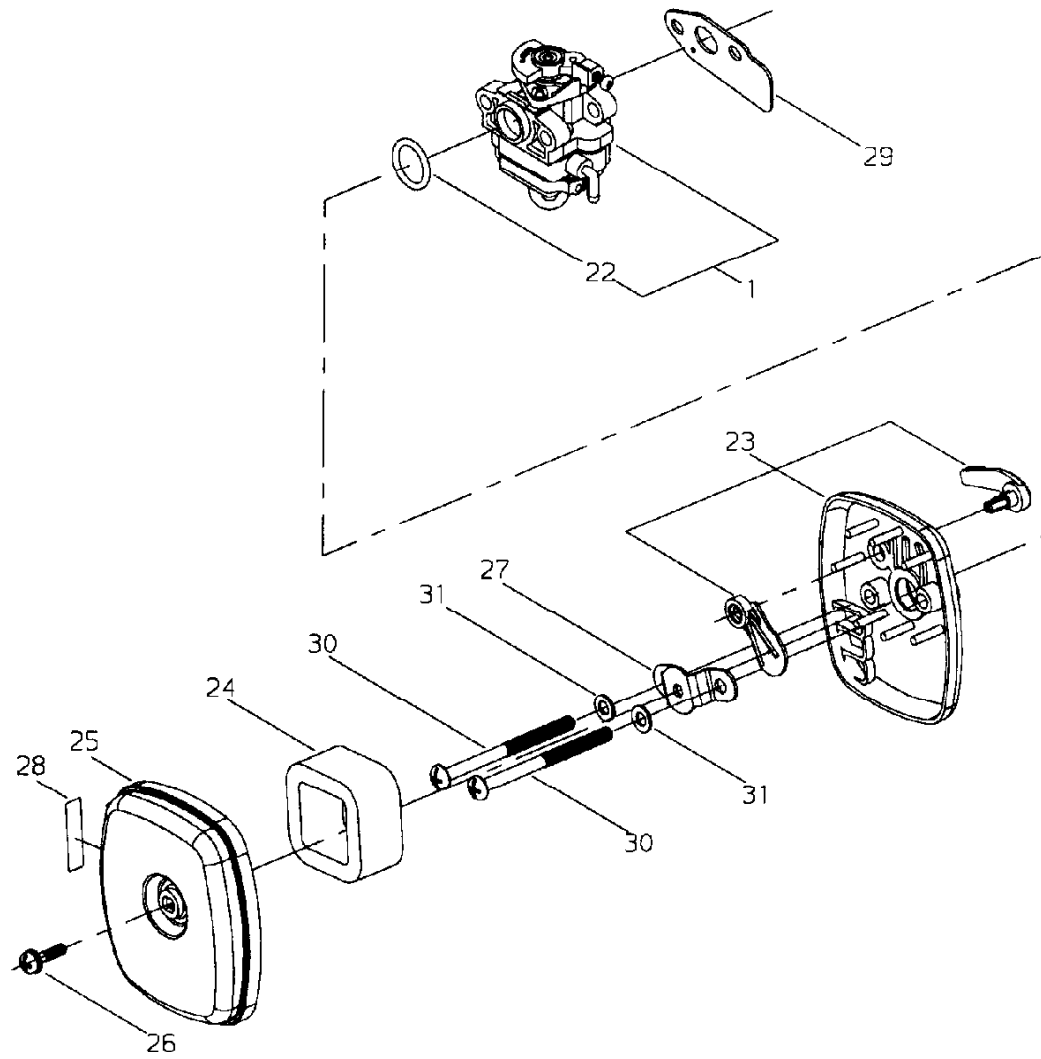
4- 1	20140-71200	ROTOR	1	
2	02403-03100	KEY	1	
3	20035-71220	NUT	1	
4	20140-71600	COILASSY	1	
6	20010-72221	PLUGCAP	1	
7	20000-72241	PLUGCAPCOVER	1	
8	20000-72250	COVERBAND	1	
9	70180-72260	SHIELD	1	
10	20000-72230	SPRINGSPARKPLUG	1	
11	70064-72111	TUBE	1	
12	70030-71620	INSULATOR	2	
13	11024-04261	BOLTSLPW	2	
14	67000-71240	CORD	1	
15	20011-72120	GROMMET	1	
16	13000-13406	SPARKPLUGBMR6A	1	



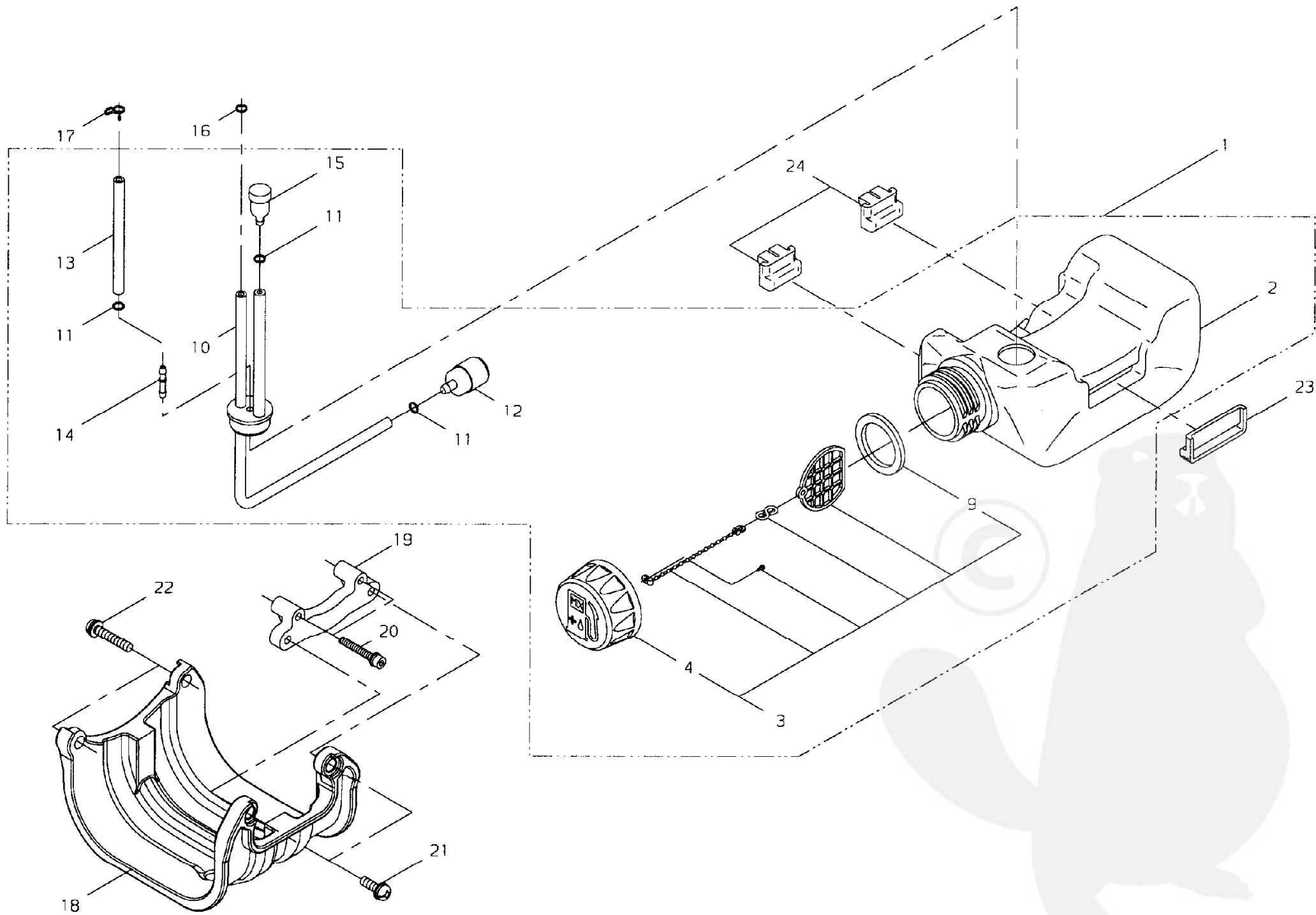


5- 1	20140-75100	RECOILSTARTERSUBASS	1	
2	20140-75110	*STARTERCASE	1	
3	20140-75120	*REEL	1	
4	20140-75130	*SPRING	1	
5	20140-75140	*DOG	1	
6	20140-75150	*BRAKESPRING	1	
7	20140-75160	*SCREW	1	
8	20140-75170	*RETAINER	1	
9	20140-75180	*WASHER	1	
10	70064-75190	*ROPE	1	
11	70064-75211	*HANDLE	1	
12	70064-75220	*STOPPER	1	
13	62090-91330	NAMEPLATE	1	
14	20140-75310	STARTERPULLEY	1	
15	01511-08051	NUT	1	
16	11024-04120	BOLTSPW	2	



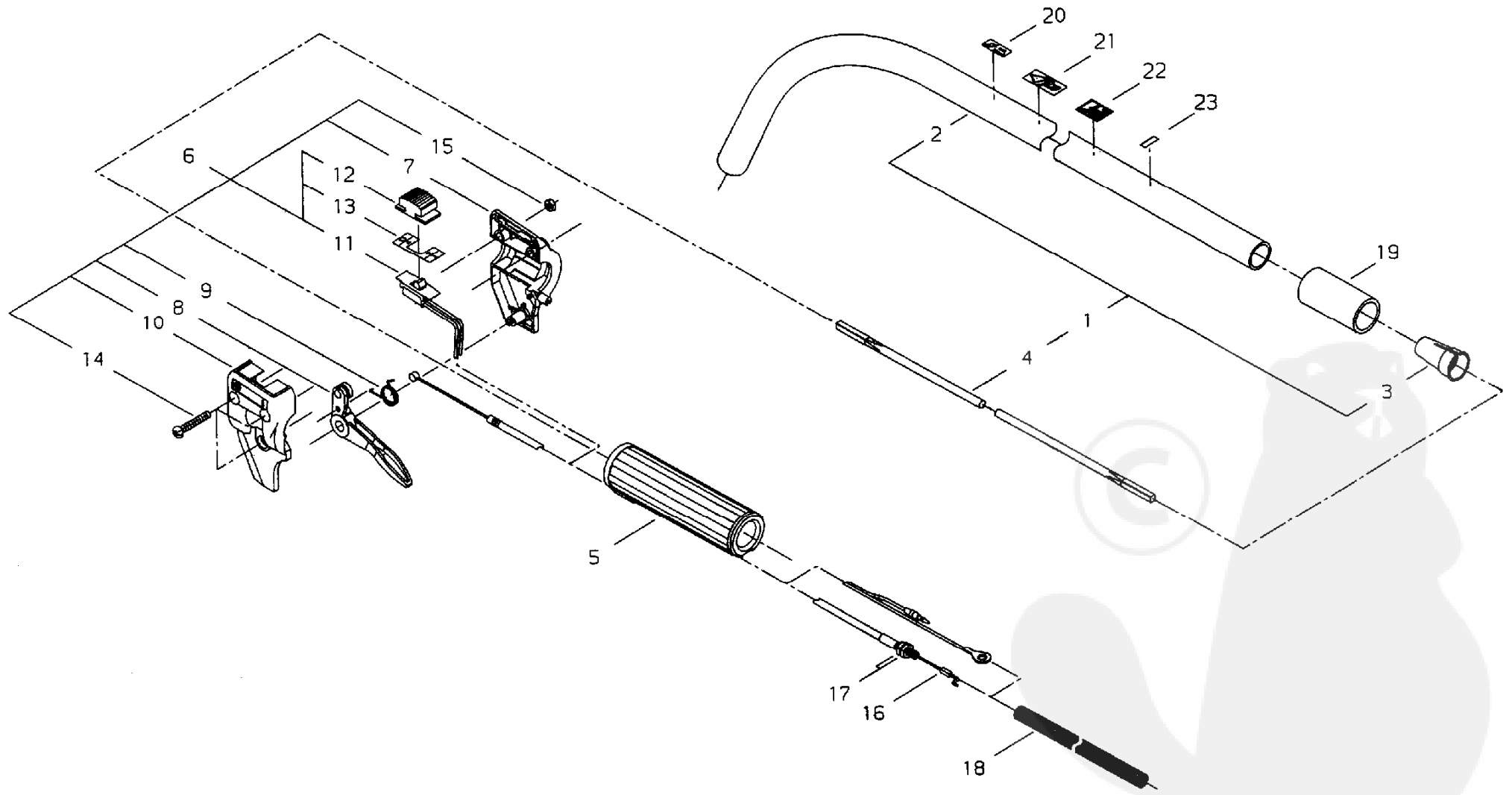


6- 1	67000-81010	CARBURETORASSY	1	
2	20016-81180	*VALVEASSY	1	
3	62074-81320	*PLAG	1	
4	70064-81290	*SCREW	2	
5	70097-81330	*PUMPPLATE	1	
6	67000-81330	*MAINJET	1	
7	70097-81310	*GASKETPUMP	1	
8	70097-81320	*DIAPHRAGM	1	
9	72933-81410	*PUMPBODYASSY	1	
10	70030-81380	**SCREEN	1	
11	20036-81440	**NEEDLEVALVE	1	
12	72933-81270	**SPRING	1	
13	20016-81450	**SCREW	1	
14	22100-81250	**PIN	1	
15	22100-81230	**LEVER	1	
16	22100-81260	*DIAPHRAGMSSY	1	
17	20016-81280	*GASKET	1	
18	20016-81420	*PUMPBASECOMP	1	
19	20016-81510	*PUMPCOVER	1	
20	20036-81670	*PRIMERPUMP	1	
21	20016-81140	*SCREW	4	
22	20016-81250	*ORING	1	
23	20140-81700	CLEANERBODYSUBASSY	1	
24	20140-82210	FILTER	1	
25	20140-81790	CLEANERCOVER	1	
26	37019-82340	SCREWPM SLPW	1	
27	20018-81721	BACKPLATE	1	
28	19404-00008	LABELCHOKE	1	
29	20140-81350	GASKET	1	
30	11203-05658	SCREWPM	2	
31	01610-05080	WASHER	2	
32	20016-81910	GASKETKIT	1	
7	70097-81310	*GASKETPUMP	1	
17	20016-81280	*GASKET	1	
33	70097-81920	DIAPHRAGMKIT	1	
8	70097-81320	*DIAPHRAGM	1	
16	22100-81260	*DIAPHRAGMSSY	1	



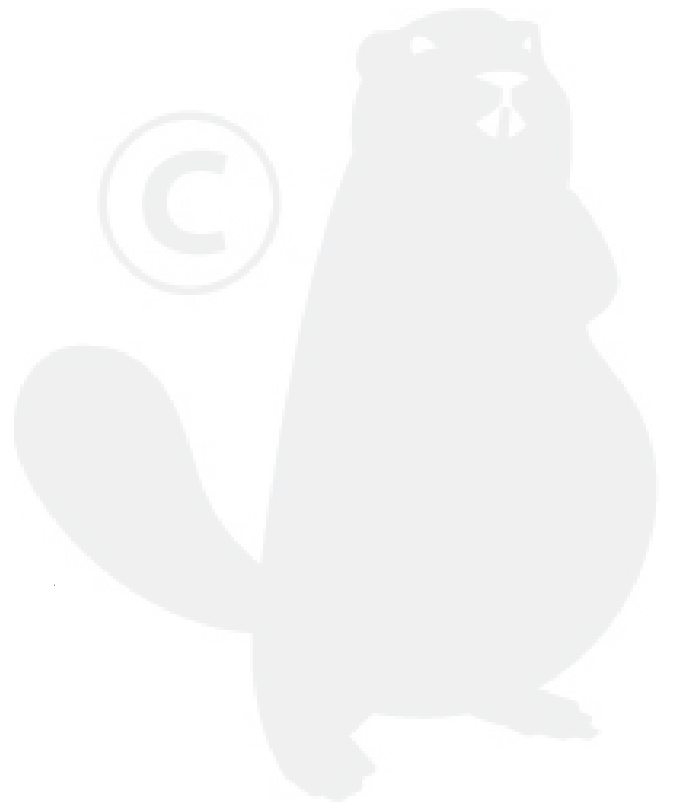
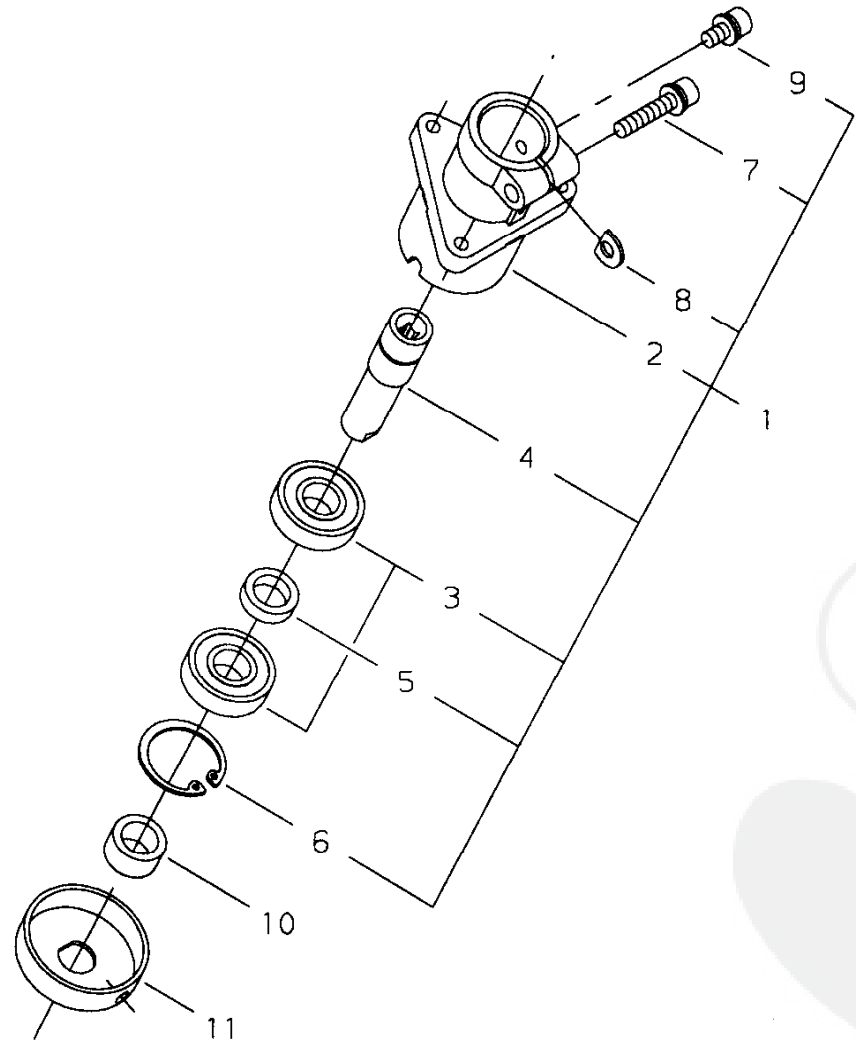
7- 1	62002-85013	FUELTANKASSY	1	
2	20142-85113	*FUELTANK	1	
3	70168-85201	*FUELCAPASSY	1	
4	70168-85210	**FUELCAP	1	
9	20000-85221	**GASKET	1	
10	20140-85310	*FUELPIPE	1	
11	20020-85540	*CLIP	3	
12	20016-85400	*FUELFILTER	1	
13	20112-85361	*PIPE	1	
14	72933-85620	*JOINT	1	
15	20035-85522	*VALVE	1	
16	20020-85540	CLIP	1	
17	37013-85310	CLIP	1	
18	62902-85320	TANKGUARD	1	
19	67000-86310	BRACKET	1	
20	11024-04300	BOLTSW	2	
21	11206-05180	SCREWPM	2	
22	11206-05350	SCREWPMSPW	2	
23	20087-86130	TANKCUSHION	1	
24	20087-86141	TANKCUSHION	2	





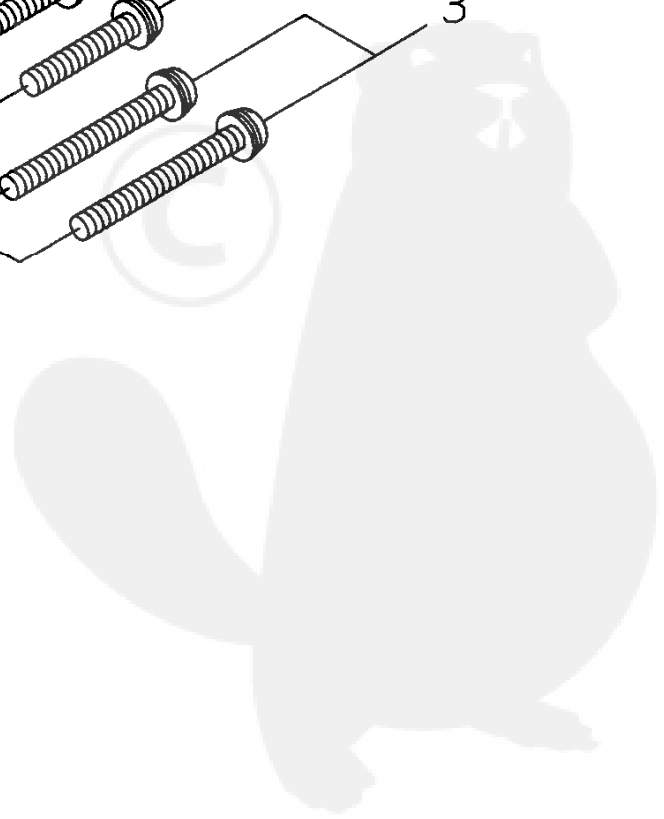
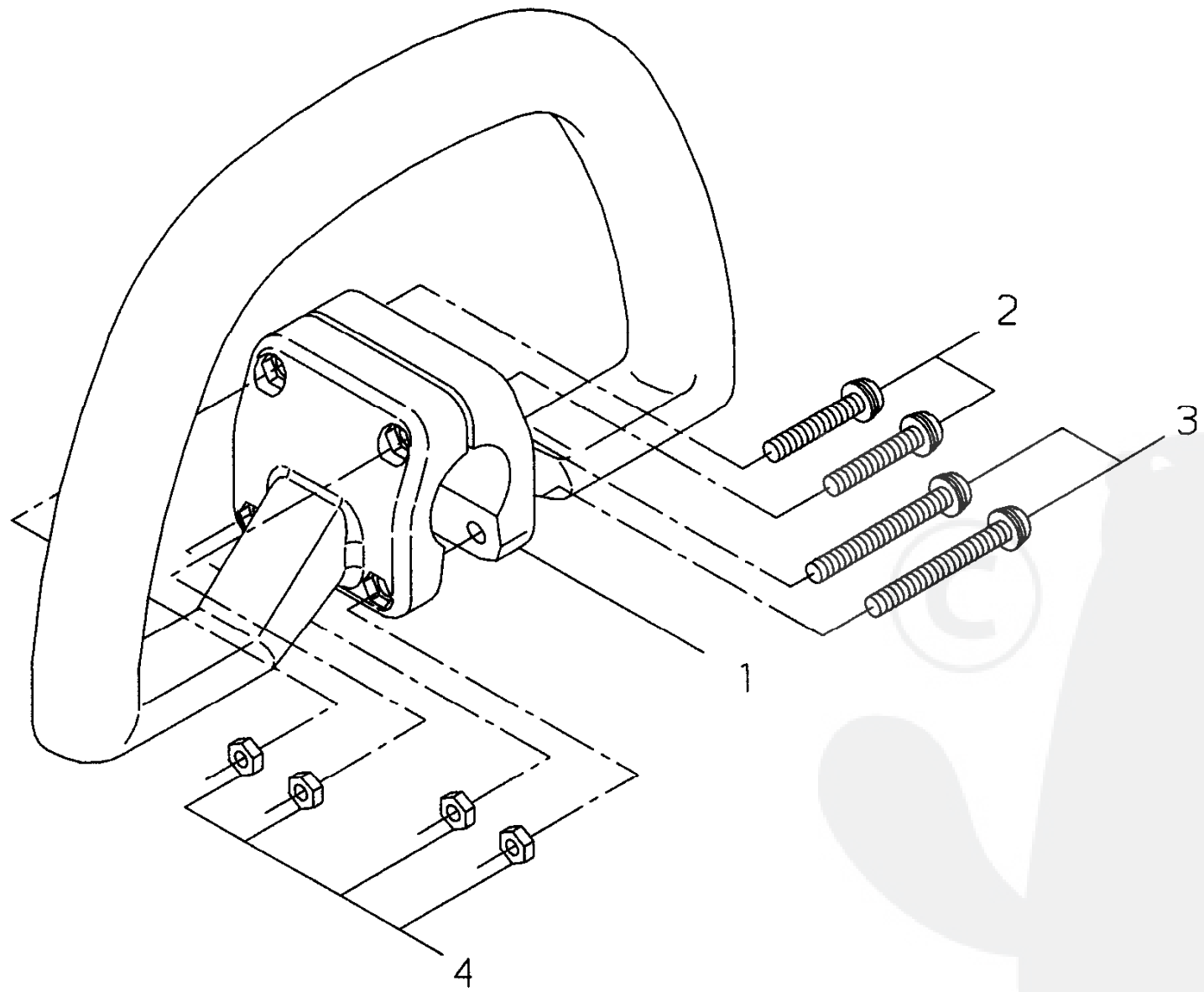
8- 1	67001-62021	OUTERPIPESUBASSY	1	
2	67001-62111	*OUTERPIPE	1	
3	67001-62320	*SPACER	1	
4	67001-62211	*FLEXIBLESHAFT	1	
5	72414-12130	GRIP	1	
6	67001-62160	THROTTLELEVERASSY	1	
7	72414-12612	*BRACKETRIGHT	1	
8	22410-14321	*LEVER	1	
9	22410-14331	*SPRING	1	
10	72414-12641	*BRACKETLEFT	1	
11	67000-62310	*SWITCH	1	
12	22420-12930	*KNOB	1	
13	22420-12940	*PLATE	1	
14	11206-05300	*SCREWPMSPW	3	
15	01501-05031	*NUT	3	
16	22550-14510	THROTTLECABLE	1	
17	01501-06041	NUT	2	
18	70229-83140	TUBE	1	
19	63061-62310	PROTECTOR	1	
20	19402-00231	LABELCAUTION	1	
21	19422-00016	LABELCAUTION	1	
22	19404-00035	LABELDECIBEL	1	
23	72017-12150	HANDLELABEL	1	



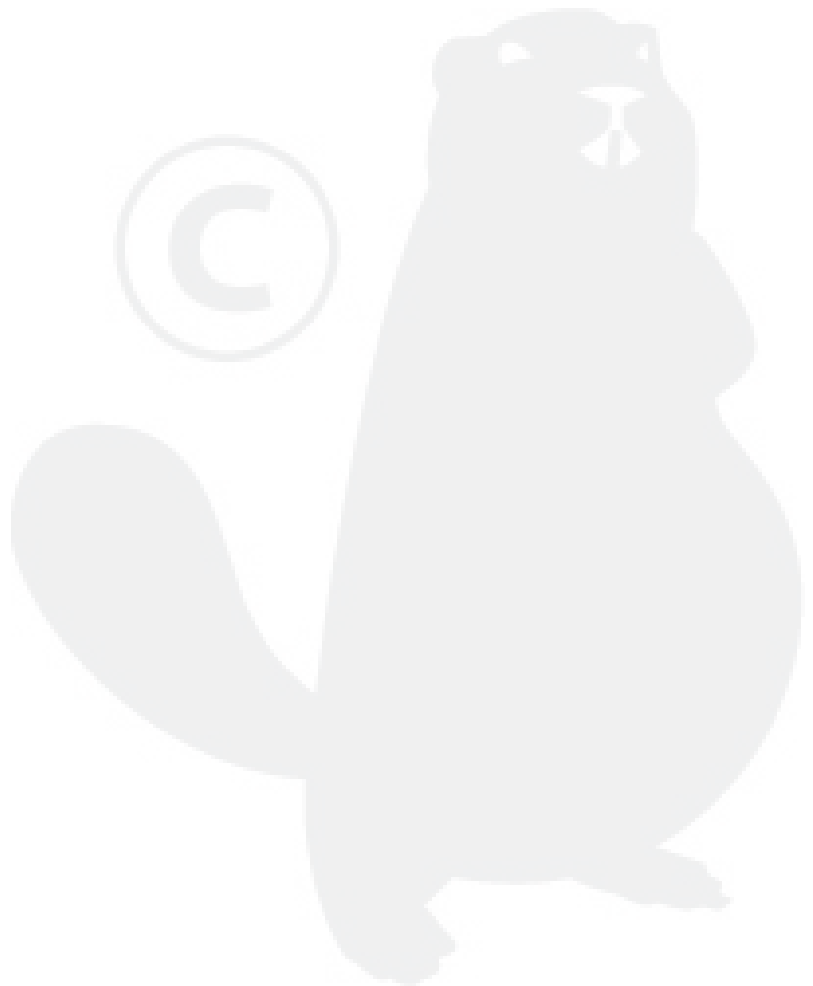


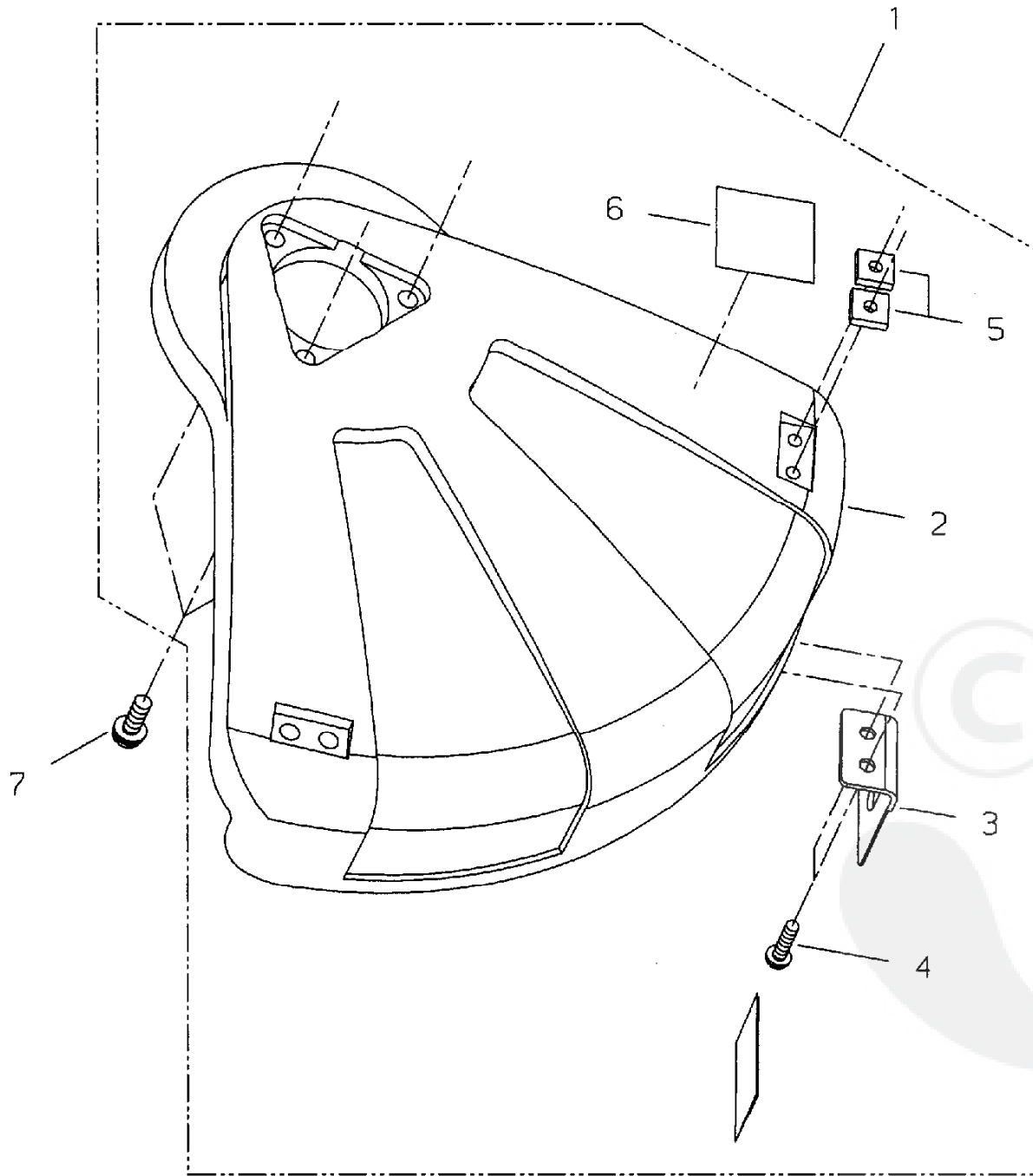
9- 1	72443-13010	SHAFTCASESUBASSY	1	
2	72443-13110	*SHAFTCASE	1	
3	02006-06001	*BEARING	2	
4	72414-13120	*SHAFT	1	
5	72030-13130	*COLLARA	1	
6	02432-28120	*SNAPRING	1	
7	11022-05250	*BOLTSPW	1	
8	22000-13420	*SHIM	1	
9	11022-05100	*BOLTSPW	1	
10	72030-13140	COLLARB	1	
11	72030-13151	HOLDER	1	





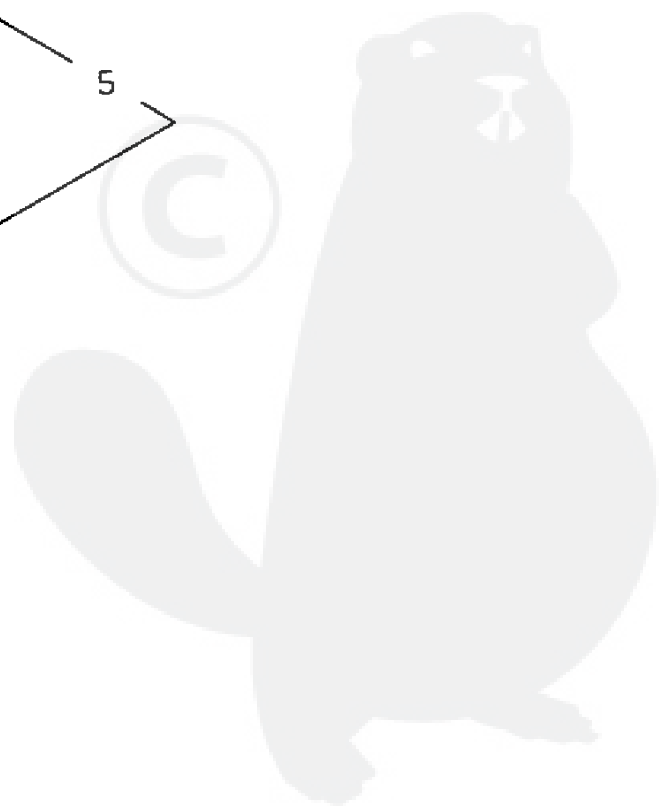
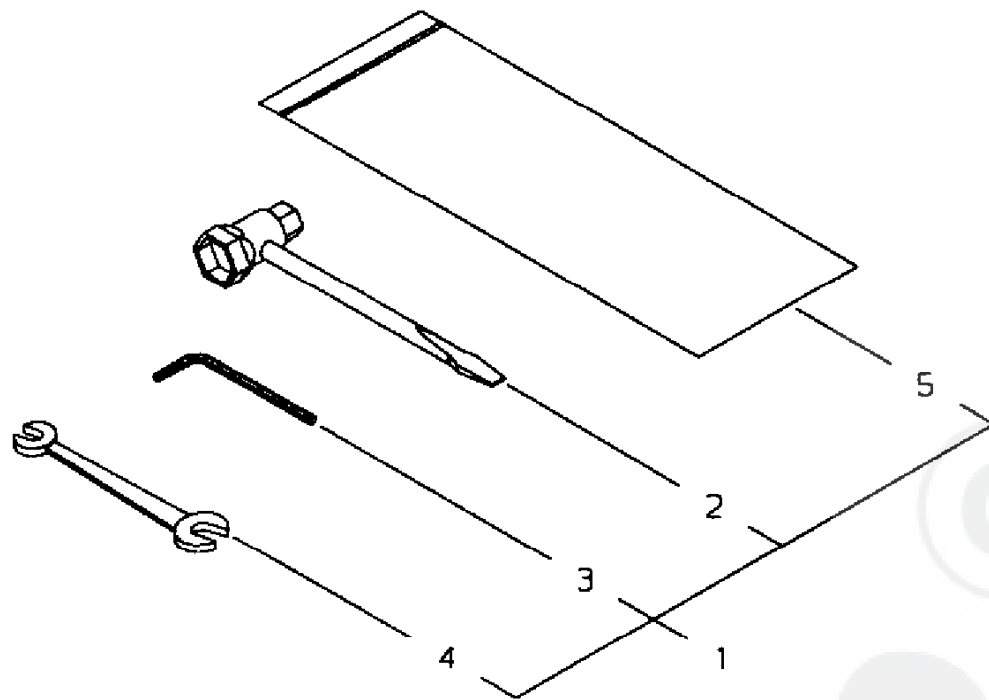
10- 1	72495-14110	HANDLE	1	
2	11207-05300	SCREWMSLPW	2	
3	11207-05450	SCREWMSLPW	2	
4	01500-05041	NUT	4	





11- 1	67001-66012	GUARDASSY	1	
2	67001-66112	*GUARD	1	
3	67001-66310	*CUTTER	1	
4	11204-04160	*SCREWMSW	2	
5	72030-16151	*NUT	2	
6	72030-16140	*CAUTIONPLATE	1	
7	11206-05160	*SCREWPMSPW	3	





12- 1	22410-91000	TOOLSET	1	
2	22000-91181	*PLUGWRENCH	1	
3	09026-04001	*HEXAWRENCH	1	
4	22000-91120	*SPANNER	1	
5	19639-01400	*TOOLBAG	1	

