

# AHS236S-LW

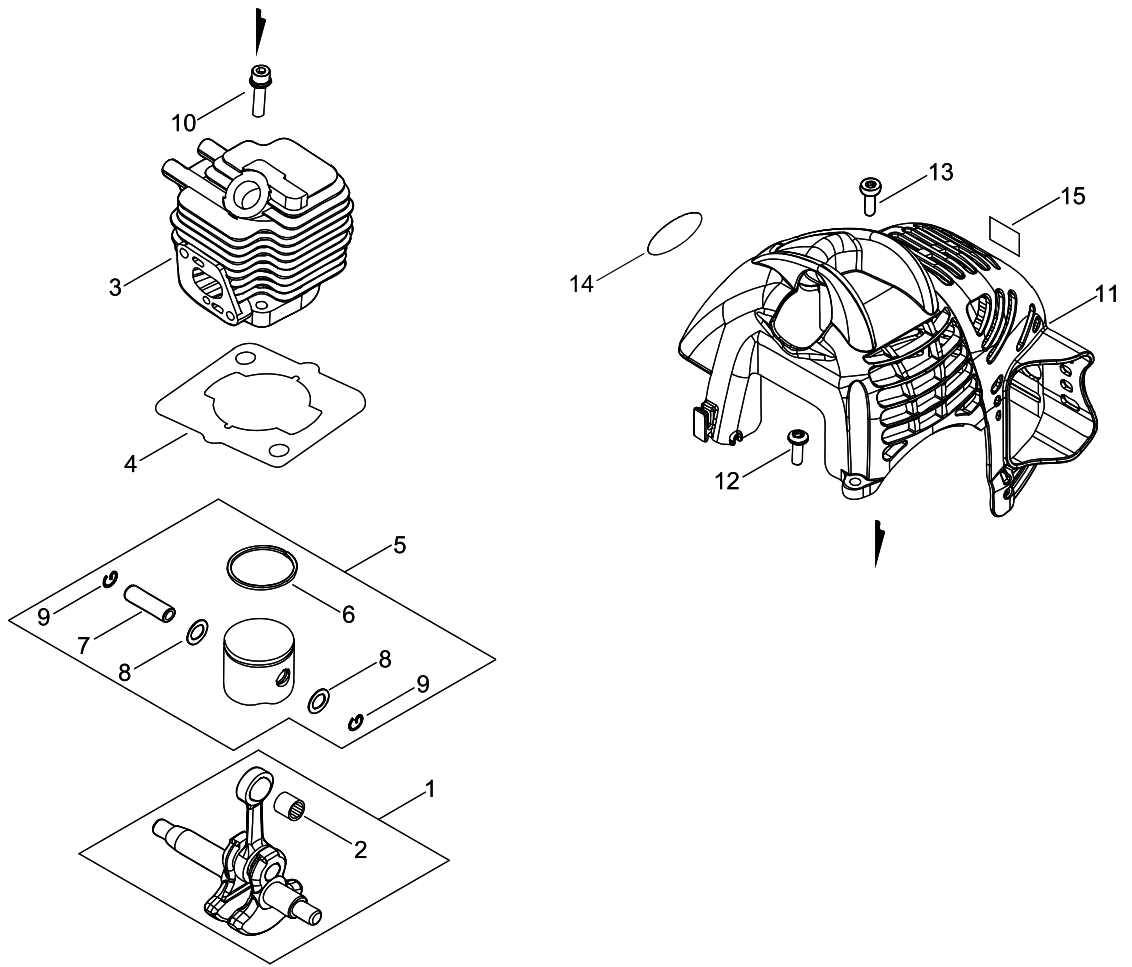
Published:12/20/2017

## TABLE OF CONTENTS

---

CYLINDER, PISTON, CRANKSHAFT.....	1
CRANKCASE .....	3
MAGNETO.....	5
CLUTCH.....	7
AIR CLEANER, CARBURETOR.....	9
CARBURETOR.....	11
FUEL TANK.....	13
MUFFLER .....	15
RECOIL STARTER, PULLY .....	17
GEAR CASE.....	19
CUTTING BLADE.....	21
MAIN PIPE .....	23
THROTTLE .....	25
ACCESSORIES.....	27

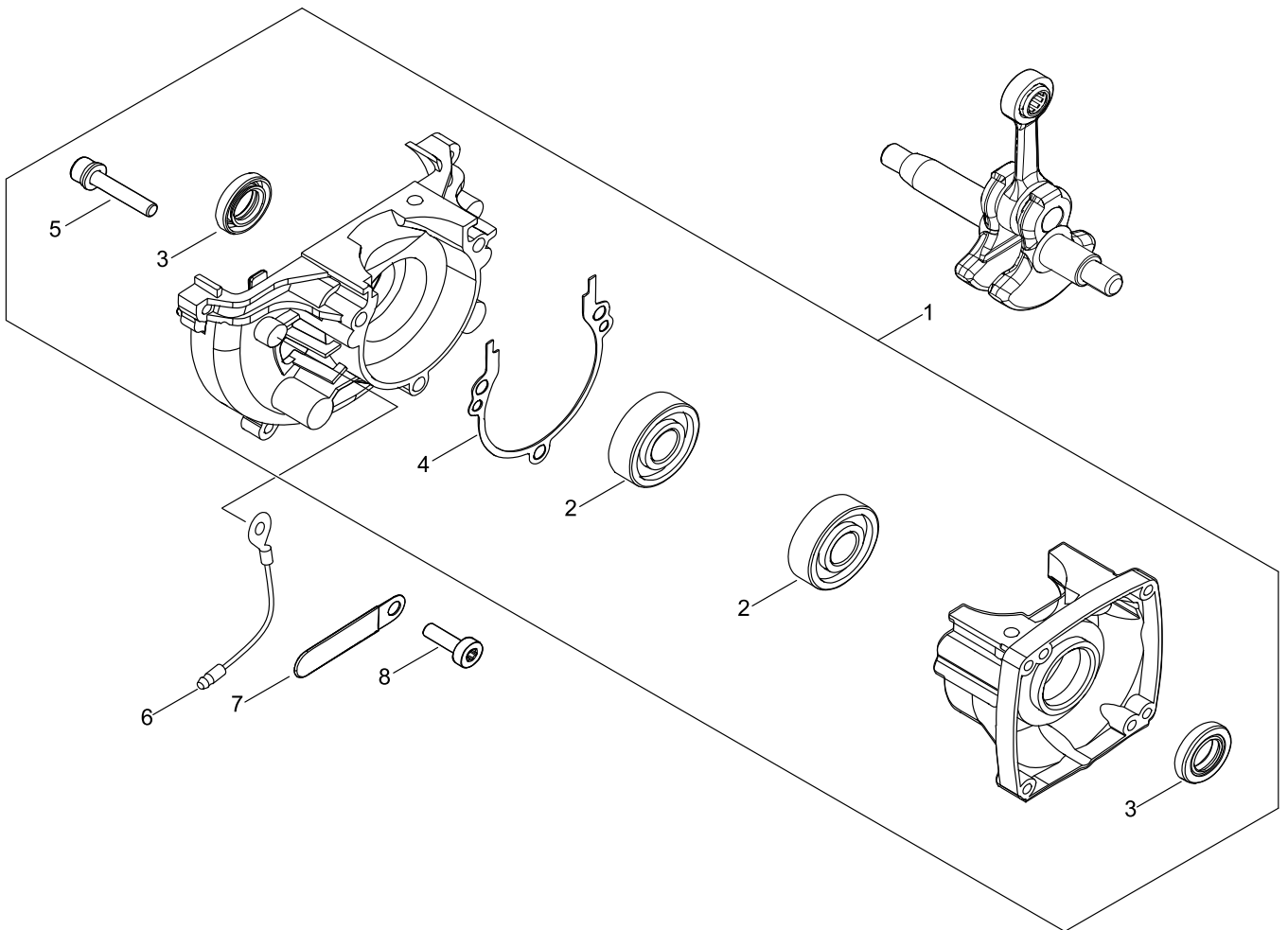
# CYLINDER, PISTON, CRANKSHAFT



## CYLINDER, PISTON, CRANKSHAFT

KEY NO	LV(+)	Part No	Description	Qty	Standard	Comment
1		A011-001410	CRANKSHAFT,ASY	1		
2	+	V553-000060	BEARING,NEEDLE 8	1	HK0810FMV4	
3		A130-002100	CYLINDER	1		
4		101010-44332	GASKET, CYL. BASE	1		
5		P021-007712	PISTON KIT	1		
6	+	A101-000090	RING,PISTON	1		
7	+	100013-11520	PIN, PISTON	1		
8	+	100014-11520	SPACER, PISTON PIN	2		
9	+	100015-04630	CIRCLIP, PISTON PIN	2		
10		900162-05022	BOLT, H.S. 5*22	2	5*22 W,SW	
11		A160-002850	COVER,CYLINDER	1		
12		V805-000000	BOLT, TORX 5	1	TT-5*16 DG 10.9	
13		V805-000150	BOLT, TORX 5	1	TB-5*16 10.9	
14		X562-000740	LABEL,SHINDAIWA	1		
15		X505-007710	LABEL,CAUTION	1		

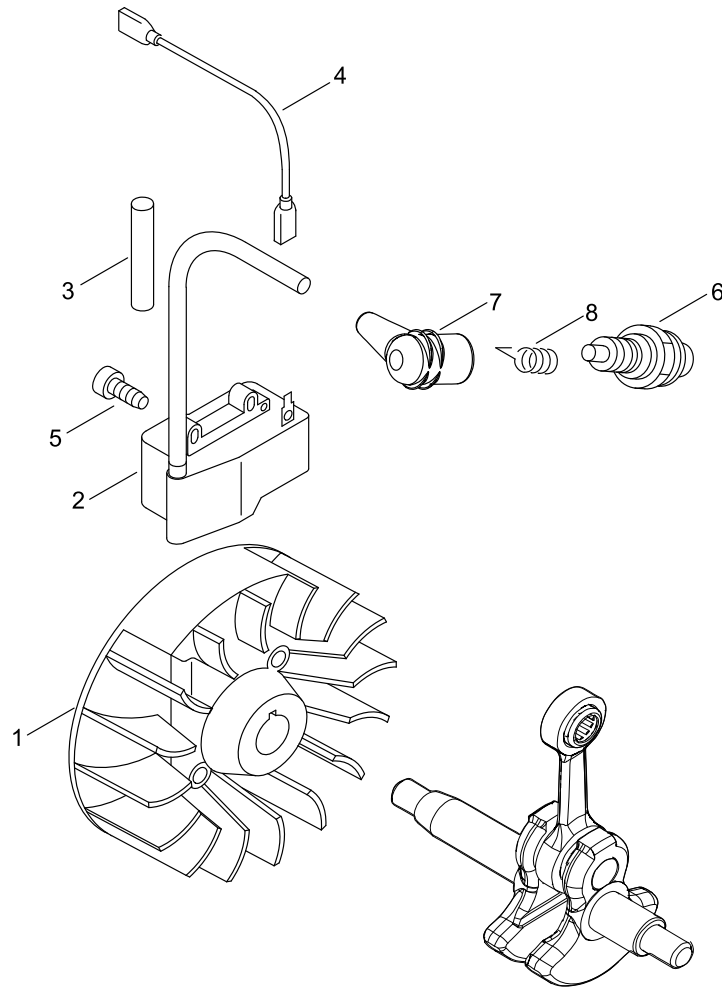
# CRANKCASE



## CRANKCASE

KEY NO	LV(+)	Part No	Description	Qty	Standard	Comment
1		P100-001870	CRANKCASE SET	1		
2	+	94035-36201	BEARING BALL	2	6201X3JR2C3	
3	+	100212-42031	OILSEAL	2	ISCD 12*22*4.5	
4	+	100242-42030	GASKET, CRANKCASE	1		
5	+	900162-05028	BOLT, H.S. 5*28	3	5*28 W,SW	
6		162014-27230	LEAD, GROUND	1		
7		159116-21231	CLAMP	1		
8		V805-000130	BOLT, TORX 5	1	TB-5*10 10.9	

# MAGNETO

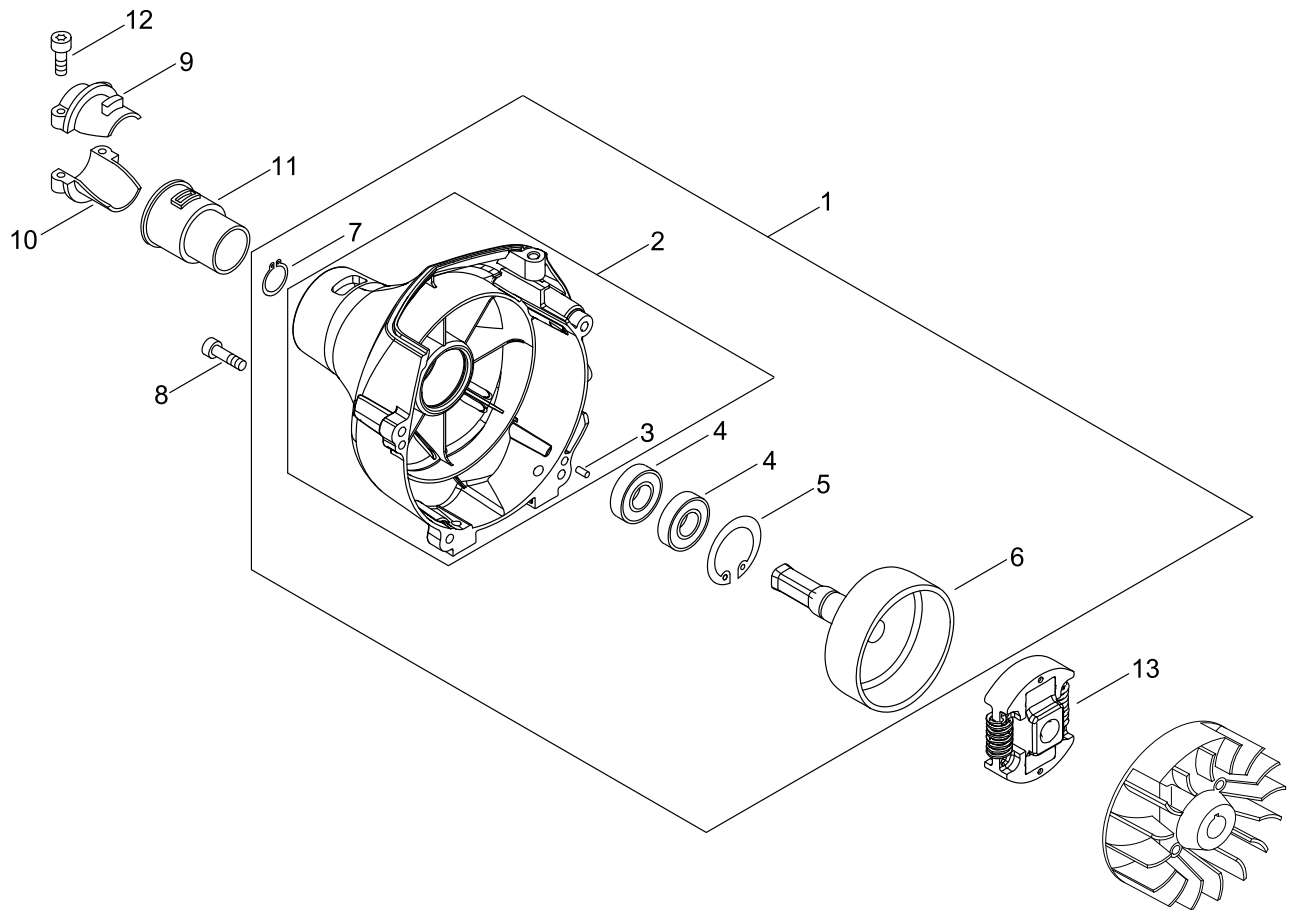


## MAGNETO

KEY NO	LV(+)	Part No	Description	Qty	Standard	Comment
1		A409-000160	ROTOR,MAGNETO	1		
2		A411-000130	COIL,IGNITION	1		
3		V475-007200	TUBE	1	SSG-3Φ8*L65	
4		V485-001120	LEAD	1	L210 #187 CB104	
5		V804-000070	BOLT, TORX 4	2	TB-4*20 12.9	
6		A425-000000	SPARKPLUG	1	BPMR8Y	
7		A427-000013	CAP,SPARK PLUG	1		
8		A426-000010	TERMINAL,SPARKPLUG	1		



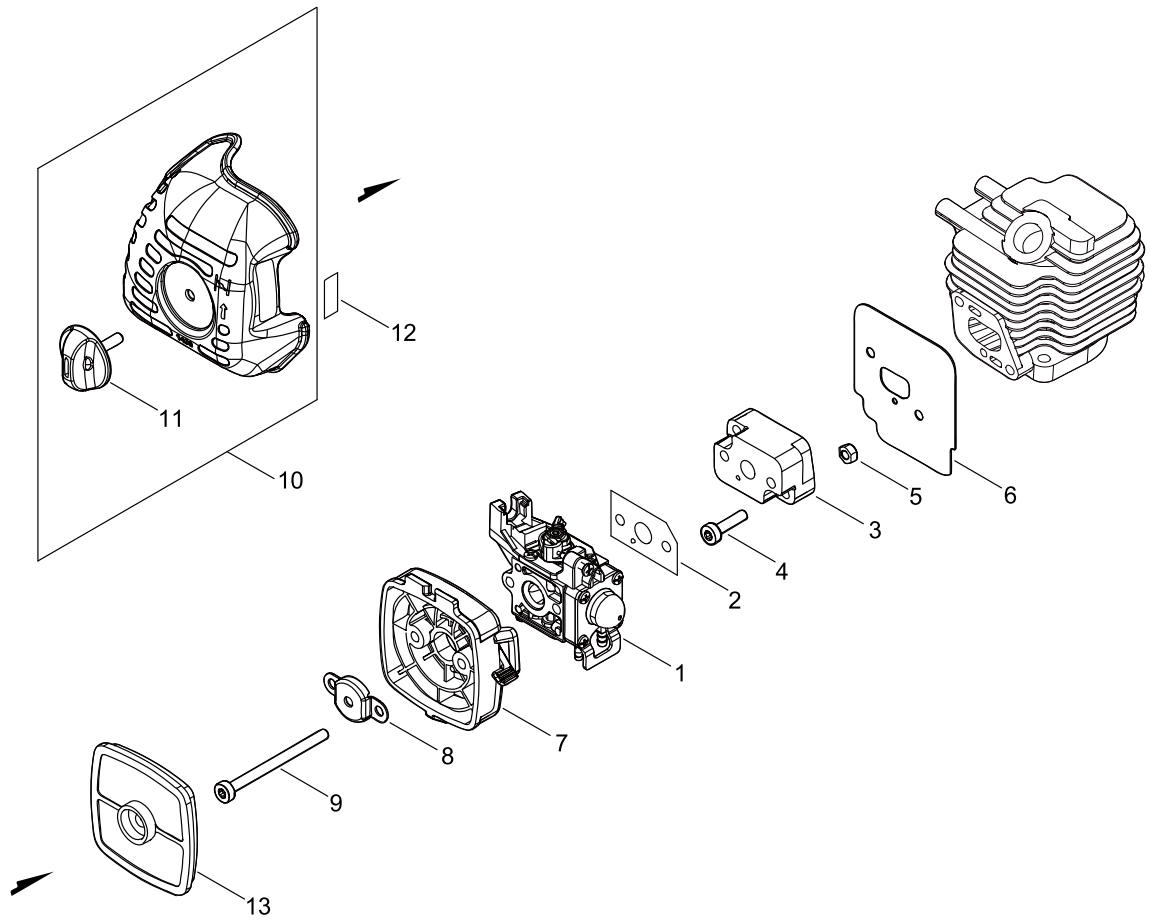
# CLUTCH



## CLUTCH

KEY NO	LV(+)	Part No	Description	Qty	Standard	Comment
1		P021-051470	FAN COVER ASY	1		
2	+	A172-003170	COVER,FAN	1		
3	++	900330-40080	PIN F 4*8	2	4*8	
4	+	900807-06001	BEARING, BALL 6001	2	6001V(LB)	
5	+	900702-00028	CIRCLIP 28	1	CR-28	
6	+	175005-48931	DRUM, CLUTCH	1		
7	+	900701-00012	CIRCLIP 12	1	CS-12	
8		V804-000060	BOLT, TORX 4	4	TB-4*16 10.9	
9		610922-27432	HOLDER	1		
10		610923-55230	HOLDER	1		
11		610910-55230	CUSHION	1		
12		V805-000160	BOLT, TORX 5	2	TB-5*20 10.9	
13		A056-000780	CLUTCH ASY	1	22 C0.5 D50 NONR	

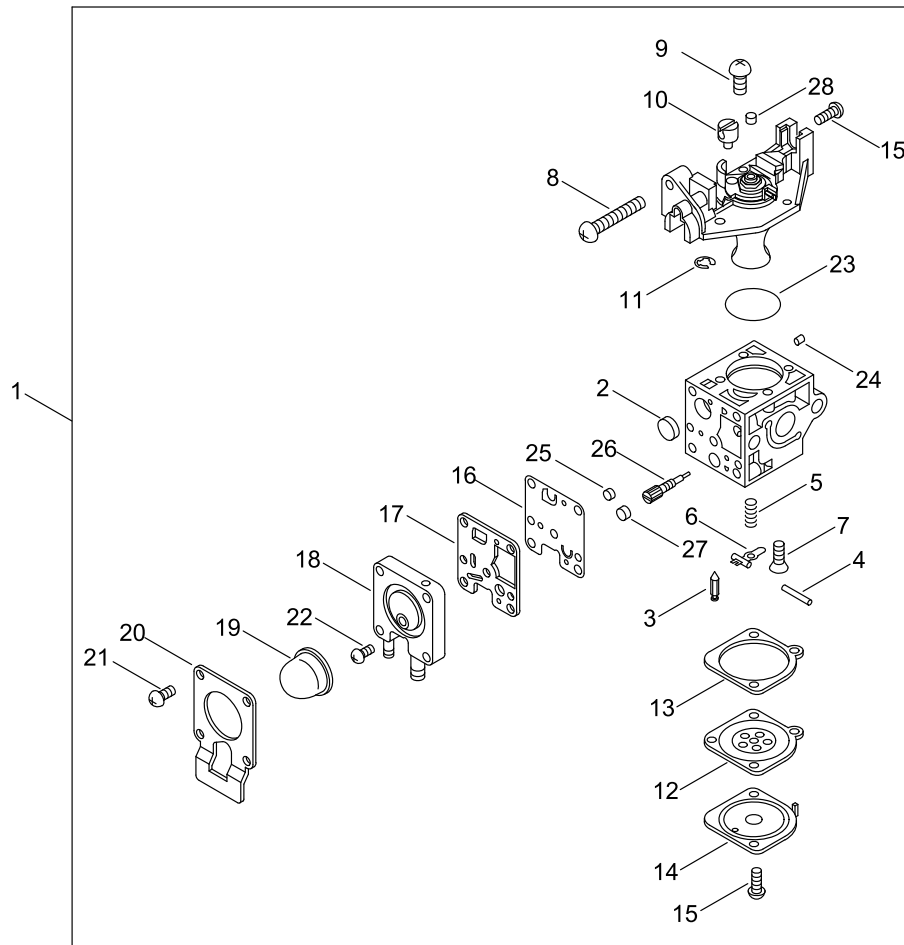
# AIR CLEANER, CARBURETOR



## AIR CLEANER, CARBURETOR

KEY NO	LV(+)	Part No	Description	Qty	Standard	Comment
1		A021-003881	CARBURETOR, DIAPHRAGM	1	ZAMA RB-K113	
2		V103-001390	GASKET,INTAKE	1		
3		130017-44331	INSULATOR	1		
4		V805-000160	BOLT, TORX 5	2	TB-5*20 10.9	
5		900500-00005	NUT 5	2	5	
6		V103-001360	GASKET,INTAKE	1		
7		P021-051510	CLEANER CASE ASY	1		
8		129011-52730	PLATE, PREVENT	1		
9		V805-000100	BOLT, TORX 5	2	TB-5*65 10.9	
10		P100-004130	LID,CLEANER ASY	1		
11	+	V299-000520	KNOB,FASTENER	1	M5*22.5	
12		890332-52730	LABEL, CHOKE	1		
13		A226-001410	ELEMENT,AIR FILTER	1		

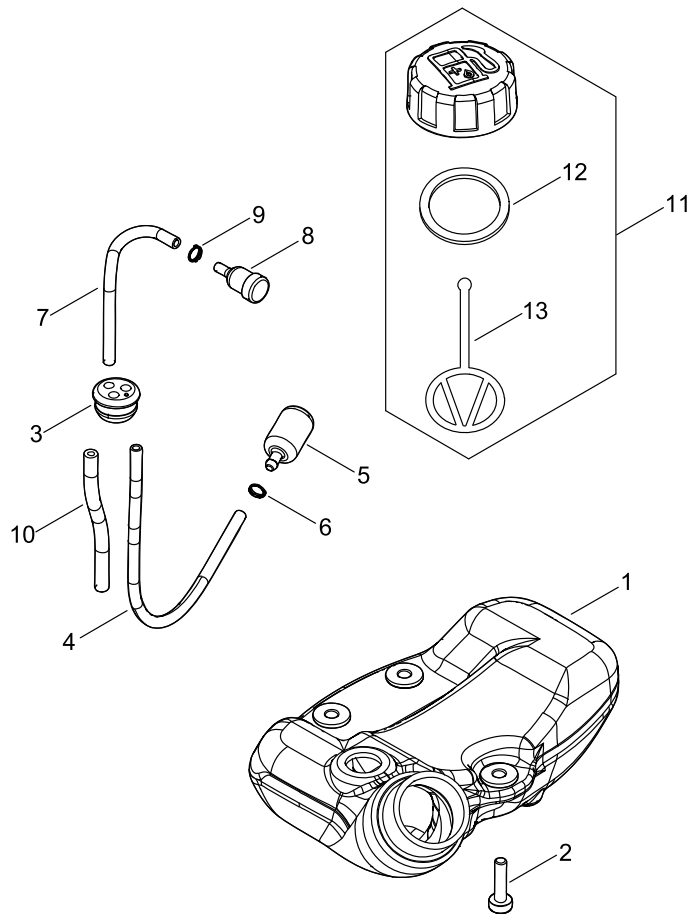
# CARBURETOR



## CARBURETOR

KEY NO	LV(+)	Part No	Description	Qty	Standard	Comment
1		A021-003881	CARBURETOR, DIAPHRAGM	1	ZAMA RB-K113	
2	+	P005-000010	STRAINER	1		
3	+	125337-08260	VALVE, INLET NEEDLE	1		
4	+	125338-13930	PIN, METERING ARM	1		
5	+	P005-002430	SPRING, MET. LEVER	1		
6	+	125323-08260	ARM, VALVE	1		
7	+	125339-42030	SCREW	1		
8	+	P005-000100	SCREW, THROTTLEADJUST	1		
9	+	125344-13931	SCREW	3		
10	+	P005-001240	POST	1		
11	+	P005-000190	E-RING	1		
12	+	P005-002230	DIAPHRAGM ,METERING	1		
13	+	P005-000200	GASKET, METERING	1		
14	+	125342-52130	COVER, DIAPHRAGM	1		
15	+	125344-52130	SCREW	3		
16	+	P005-000510	DIAPHRAGM, PUMP	1		
17	+	P005-000520	GASKET, PUMP	1		
18	+	P005-001890	BASE, ASY PRIMER	1		
19	+	P005-003110	PUMP, PRIMER	1		
20	+	P005-000250	RETAINER	1		
21	+	P005-001900	SCREW	4		
22	+	P005-000270	SCREW	1		
23	+	P005-000280	O-RING	1		
24	+	P005-001000	ROLLER, GUIDE	1		
25	+	P005-001250	RETAINER,PLUG BALL	1		
26	+	P005-001260	SCREW,MAINN MIXTURE	1		
27	+	P005-001270	PLUG, H AJUST SCREW	1		
28	+	A259-000010	CAP,LIMITER	1		

# FUEL TANK

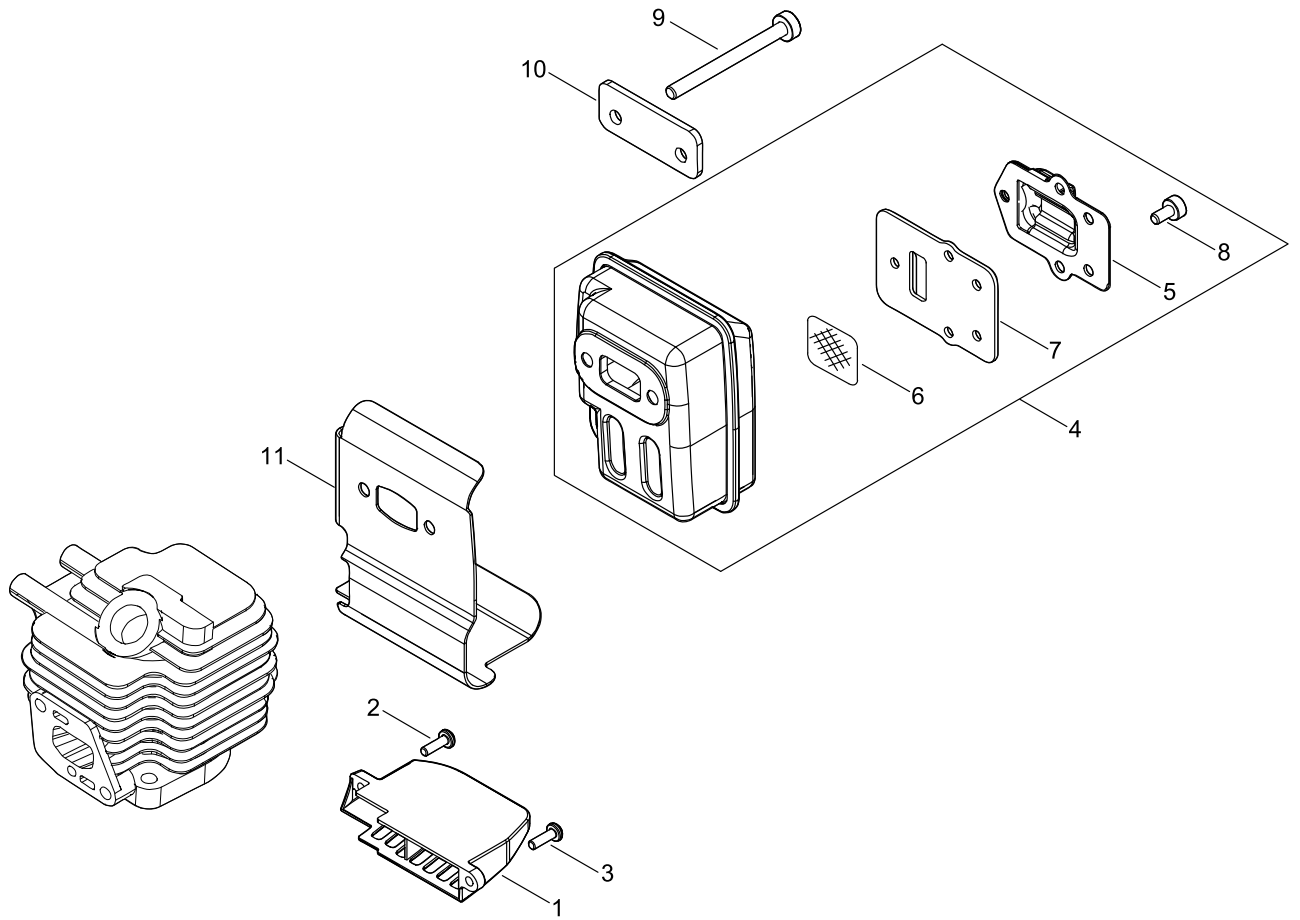


## FUEL TANK

KEY NO	LV(+)	Part No	Description	Qty	Standard	Comment
1		A350-000801	TANK, FUEL	1		
2		V805-000160	BOLT, TORX 5	3	TB-5*20 10.9	
3		132115-46730	GROMMET, FUEL	1		
4		V470-000840	PIPE	1		
5		A369-000480	STRAINER, FUEL	1	125-959	
6		V490-001240	CLIP	1		
7		V471-001210	PIPE	1	3*5*90 NBR	
8		A356-000031	VALVE,CHECK	1		
9		V490-001240	CLIP	1		
10		132012-56030	PIPE	1	3*6*80 YL	
11		P021-035680	FUEL CAP ASY	1	T242	
12	+	131016-55830	GASKET, FUEL CAP	1		
13	+	A365-000060	CONNECTOR,CAP	1	L=123	



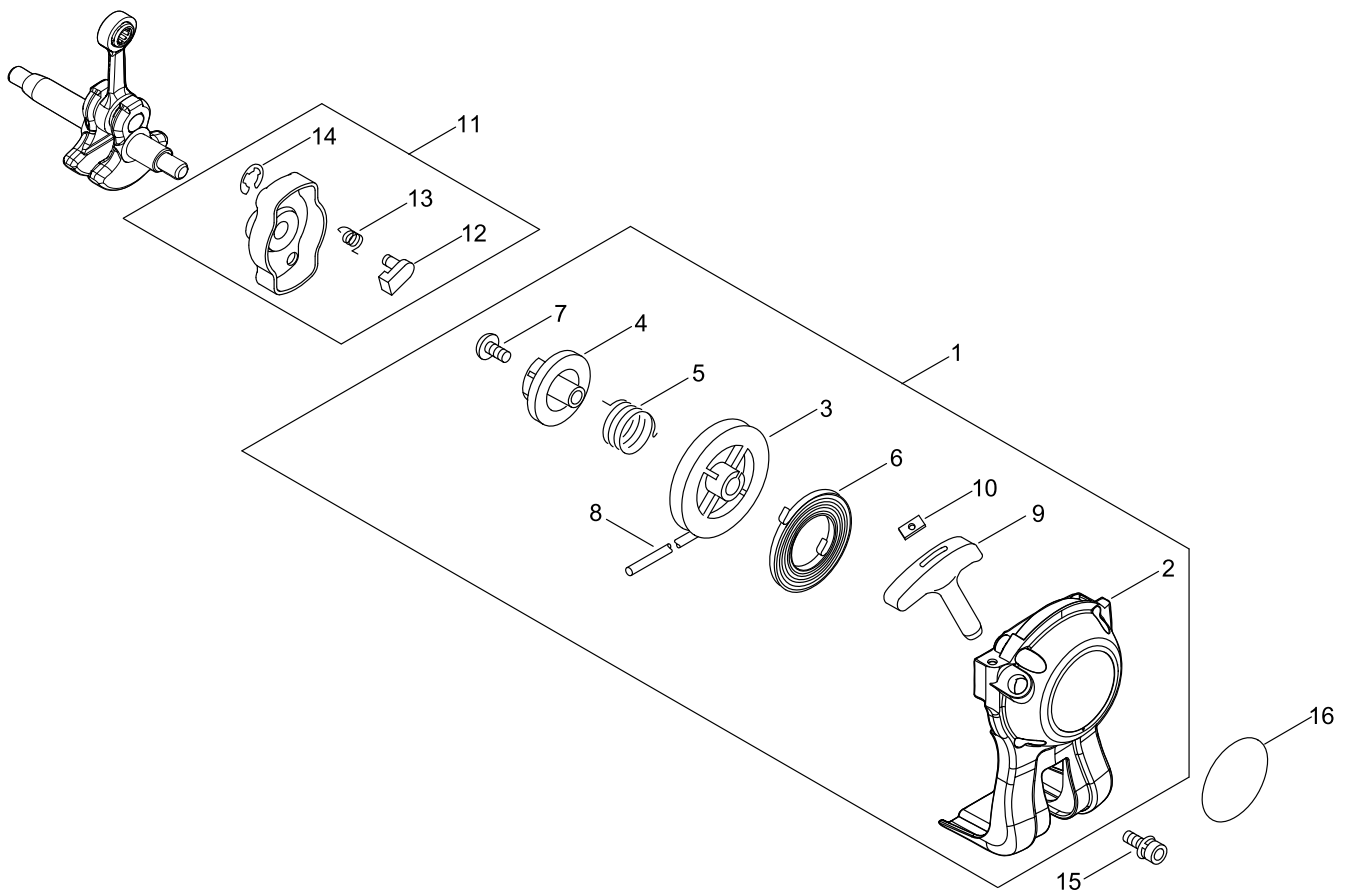
# MUFFLER



## MUFFLER

KEY NO	LV(+)	Part No	Description	Qty	Standard	Comment
1		A320-000480	COVER,MUFFLER	1		
2		V805-000000	BOLT, TORX 5	1	TT-5*16 DG 10.9	
3		V805-000150	BOLT, TORX 5	1	TB-5*16 10.9	
4		P021-047652	MUFFLER ASY	1		
5	+	A313-000600	GUIDE,EXH	1		
6	+	145862-40630	SCREEN, MUFFLER	1		
7	+	V104-001761	GASKET,EXHAUST	1		
8	+	V804-000030	BOLT, TORX 4	5	TB-4*8 10.9	
9		V805-000190	BOLT, TORX 5	2	TB-5*55 12.9	
10		V150-000371	PLATE,EYE	1		
11		V104-000850	GASKET,EXHAUST	1	T1.0	

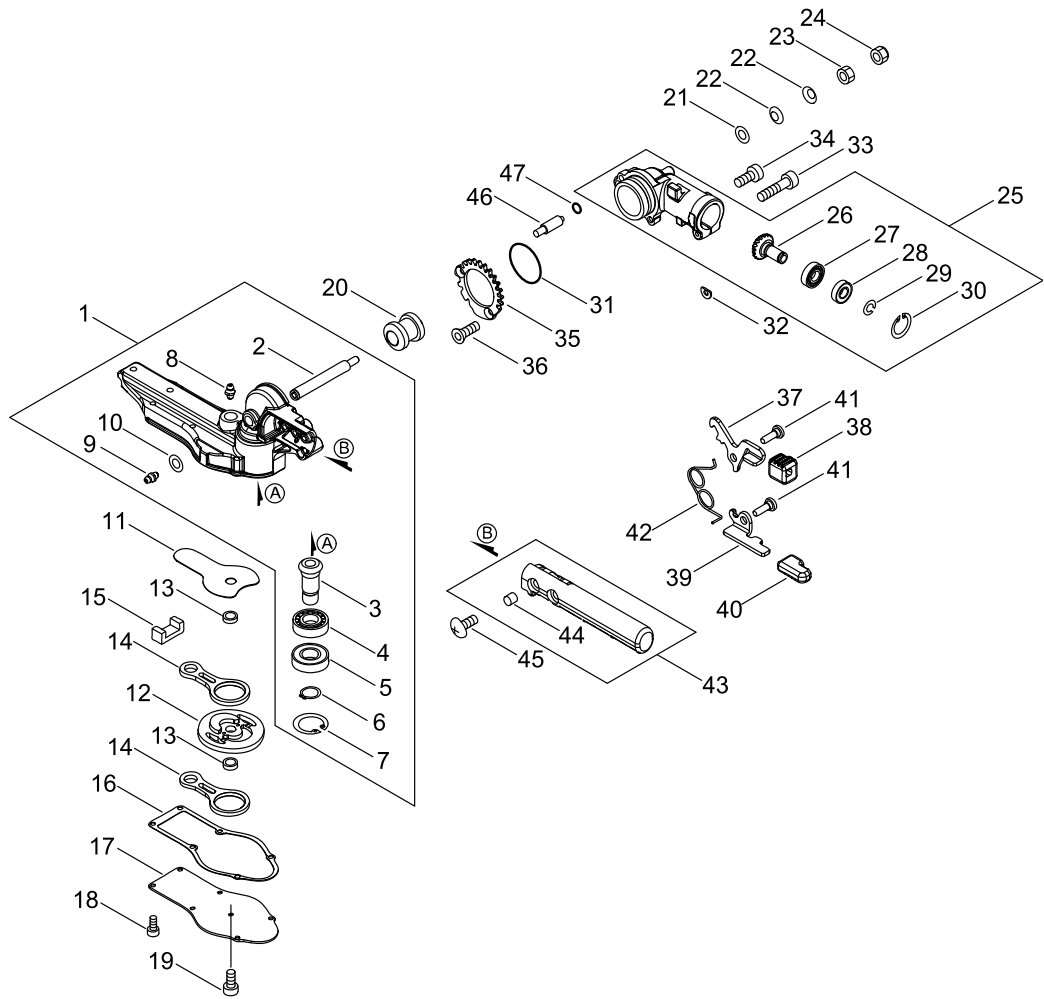
# RECOIL STARTER, PULLY



## RECOIL STARTER, PULLY

KEY NO	LV(+)	Part No	Description	Qty	Standard	Comment
1		A051-001312	STARTER,RECOIL ASY	1		
2	+	P022-036970	CASE,STARTER	1		
3	+	P022-034040	DRUM, STARTER	1		
4	+	P022-034030	PLATE, CAM	1		
5	+	P022-008270	SPRING,DAMPER	1		
6	+	P022-019680	SPRING, SPIRAL	1		
7	+	177236-61830	SCREW	1		
8	+	P022-019990	ROPE, STARTER	1		
9	+	177228-27030	GRIP, STARTER	1		
10	+	P022-037670	STOPPER, ROPE	1		
11		A052-000180	PULLEY,ASM STARTER	1		
12	+	P022-006850	PAWL, STARTER	2		
13	+	P022-006510	SPRING, RETURN	2		
14	+	P022-002100	E-RING	2	4	
15		V804-000060	BOLT, TORX 4	4	TB-4*16 10.9	
16		X504-007680	LABEL,BRAND	1	SHINDAIWA 47	

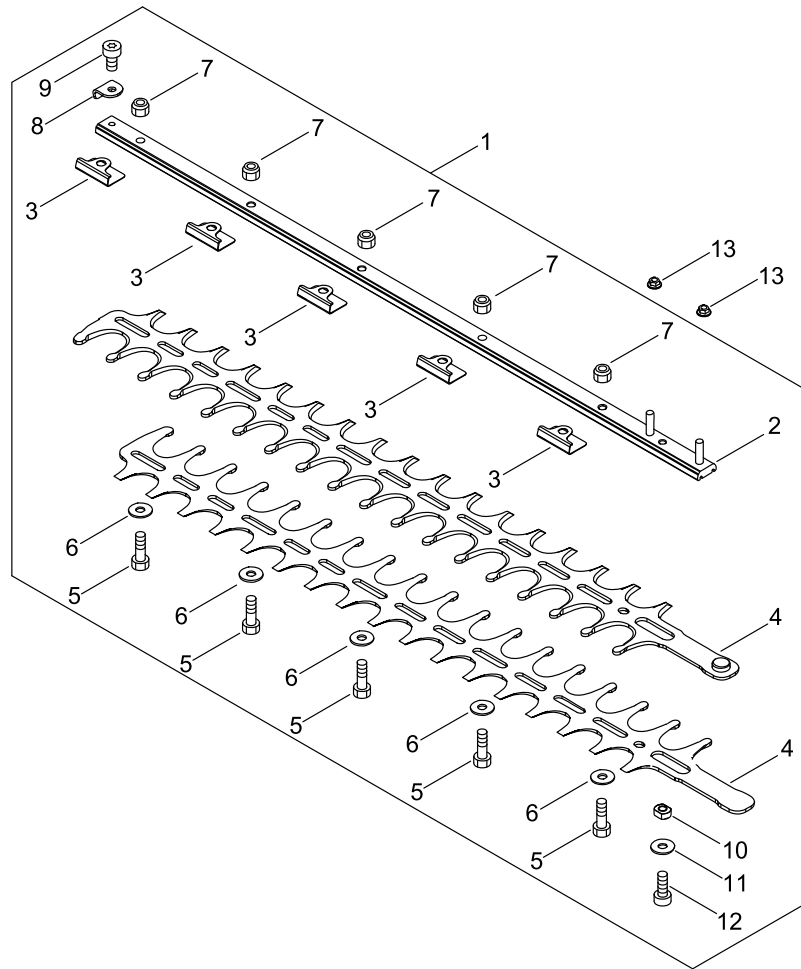
# GEAR CASE



## GEAR CASE

KEY NO	LV(+)	Part No	Description	Qty	Standard	Comment
1		P100-004080	CASE,GEAR ASY	1		
2	+	C534-001010	SHAFT, GEAR	1	10 M6-M6	
3	+	V655-000090	SHAFT,PINION	1		
4	+	900800-36002	BEARING, BALL 6002	1	6002	
5	+	94004-36002	BEARING, BALL	1	BB6002ZZ/C3	
6	+	900701-00014	CIRCLIP 14	1	CS-14	
7	+	900702-00032	CIRCLIP 32	1	CR-32	
8	+	V187-000080	GREASE NIPPLE	1		
9	+	V187-000080	GREASE NIPPLE	1		
10	+	900603-00006	WASHER 6	1	6.5*13*1	
11		V150-003941	PLATE,EYE	1		
12		V650-000661	GEAR,SPUR	1		
13		V356-000730	COLLAR,10	2	9.5*13*L4	
14		C532-000360	ROD, CONNECTING	2		
15		V541-000570	SEAL	1		
16		V110-000180	GASKET,GEAR CASE	1		
17		C539-000160	LID,GEARCASE	1	T1.2	
18		V804-000110	BOLT, TORX 4	6	TB-4*10 12.9	
19		V805-000300	BOLT, TORX 5	1	TB-5*12 12.9	
20		P021-047570	GEAR,BEVEL SET	1		
21		900603-00006	WASHER 6	1	6.5*13*1	
22		V347-000030	CONE WASHER	2		
23		900502-00006	NUT 6 (3N)	1	3N6	
24		900560-00006	NUT, LOCK	1	6	
25		P021-047820	CASE ASY, GEAR	1		
26	+	V651-001000	GEAR,BEVEL	1		
27	+	900855-06901	BEARING, BALL 6901	1	6901	
28	+	900859-06901	BEARING, BALL	1	6901	
29	+	900706-00012	CIRCLIP 12	1	WR-12	
30	+	900702-00024	CIRCLIP 24	1	CR-24	
31		900724-00035	O-RING 35	1	S-35	
32		V340-000300	SHIM	1		
33		V805-000170	BOLT, TORX 5	1	TB-5*25 10.9	
34		V805-000130	BOLT, TORX 5	1	TB-5*10 10.9	
35		C465-000030	RESETTER, LATCH	1		
36		900175-05012	BOLT, H.S.H	2	5*12	
37		C661-000150	LEVER, RELEASE	1	T3.2	
38		V494-000880	CAP	1		
39		C661-000080	SAFTY LEVER	1		
40		V494-000891	CAP	1		
41		V204-000580	PIN RATCHET	2		
42		V452-000710	COIL SPRING	1		
43		C403-000480	HANDLE	1		
44	+	V354-000320	COLLAR	2		
45		91463-06020	SCREW TRUSS	2		
46		C226-000060	PIN,CONTROL	1		
47		900720-00005	O-RING 5	1	P-5	

# CUTTING BLADE

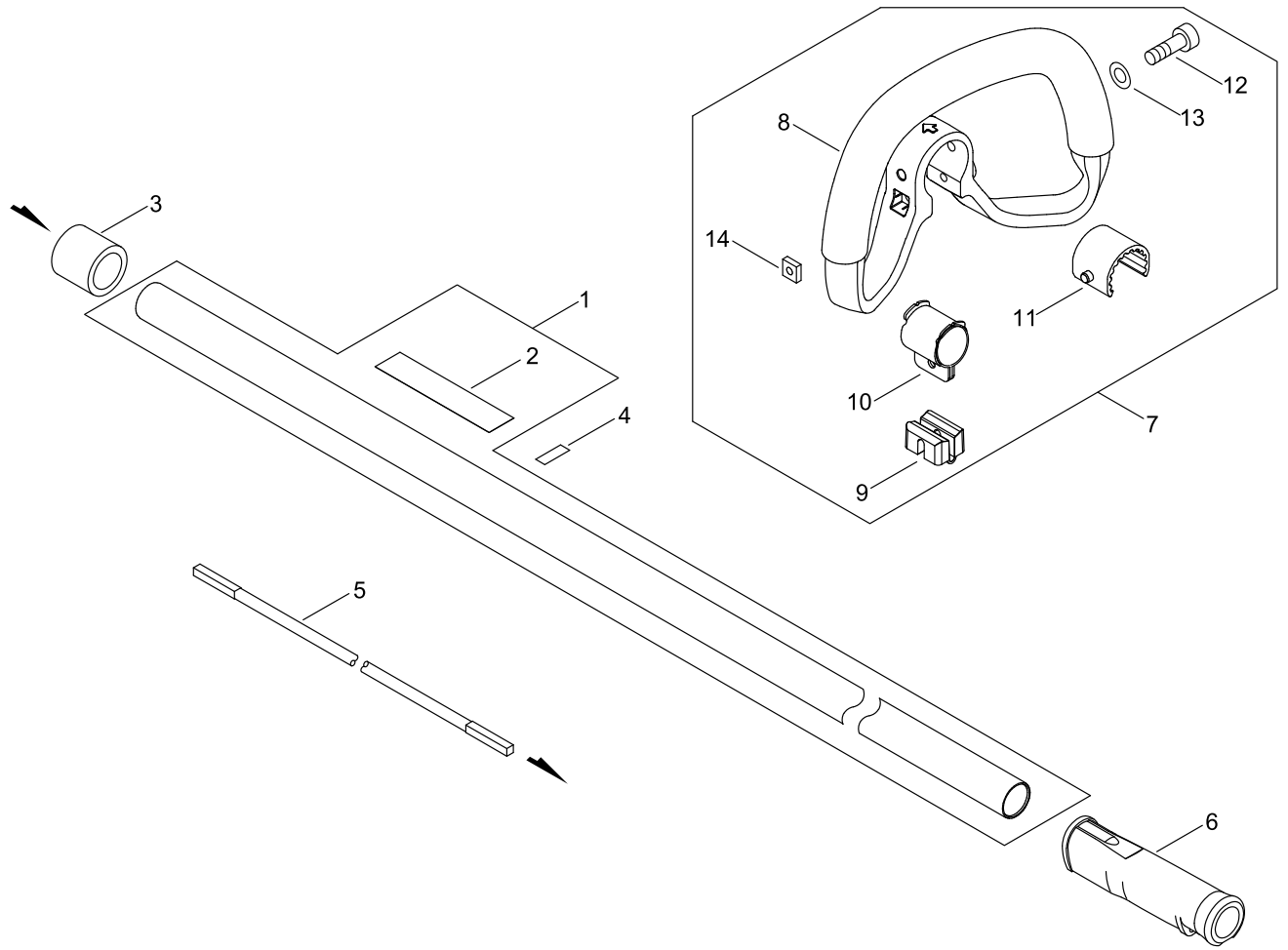


## CUTTING BLADE

KEY NO	LV(+)	Part No	Description	Qty	Standard	Comment
1		X041-000510	CUTTER,ASM	1		
2	+	X425-000920	SUPPORT,CUTTER	1	600MM	
3	+	X425-000930	SUPPORT,CUTTER	5	T0.5	
4	+	X411-001320	CUTTER	2	600MM T2.0	
5	+	V204-000570	BOLT	5		
6	+	V304-000240	WASHER	5		
7	+	433022-06460	NUT	5		
8	+	J447-001050	GUARD	1	T1.6	
9	+	V805-000120	BOLT, TORX 5	1	TB-5*8 10.9	
10	+	V376-002130	SPACER	1		
11	+	V304-000240	WASHER	1		
12	+	V805-000250	BOLT, TORX 5	1	TB-5*16 12.9	
13		V263-000330	FLANGE NUT	2		



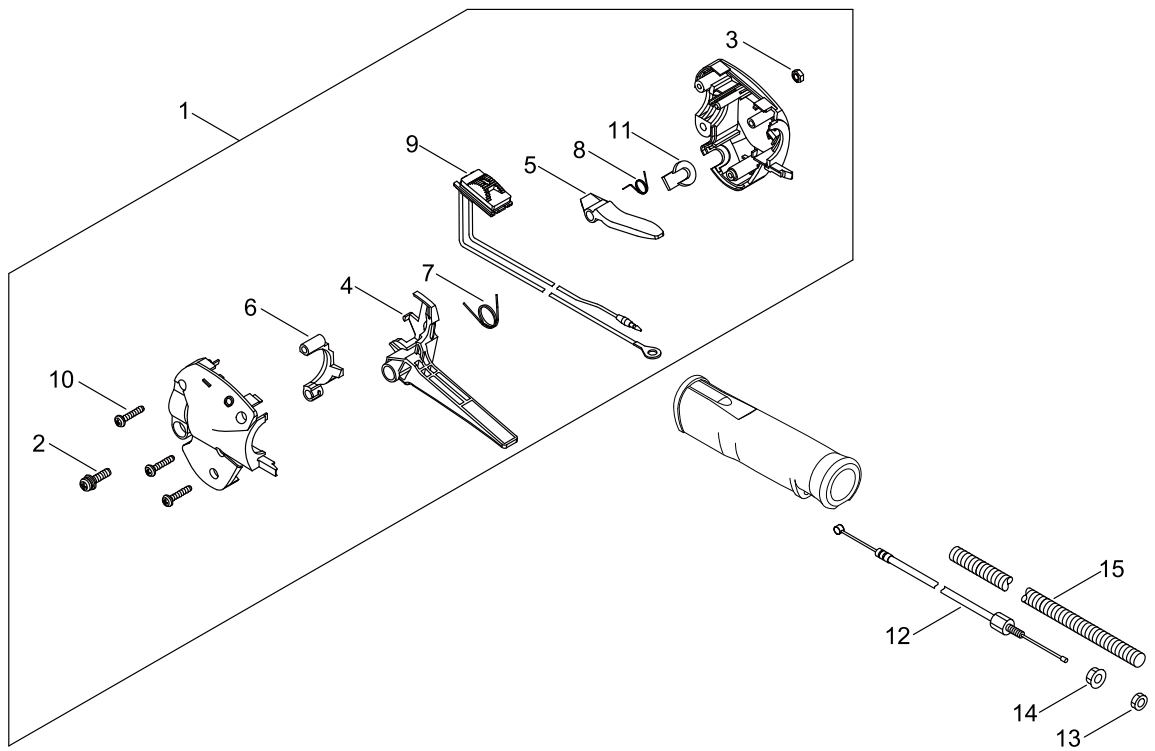
# MAIN PIPE



## MAIN PIPE

KEY NO	LV(+)	Part No	Description	Qty	Standard	Comment
1		P021-047670	MAIN PIPE ASY	1		
2	+	X505-002890	LABEL CAUTION	1		
3		V362-000160	COLLAR,22	1		
4		890152-04930	LABEL, CAUTION	1		
5		C506-000370	SHAFT, FLEXIBLE	1	34.020 LNG	
6		C403-000612	GRIP, HANDLE	1		
7		P021-048780	HANDLE ASY	1		
8	+	C400-001020	HANDLE,FRONT	1		
9	+	C401-000280	PIECE,HANDLE	1		
10	+	C610-000050	FIXTURE, CUSHION	1		
11	+	V420-003700	CUSHION	1		
12	+	V805-000070	BOLT, TORX 5	1	TB-5*40 10.9	
13	+	900603-00005	WASHER 5	1	5.5*12*0.8	
14	+	V263-000130	NUT	1		

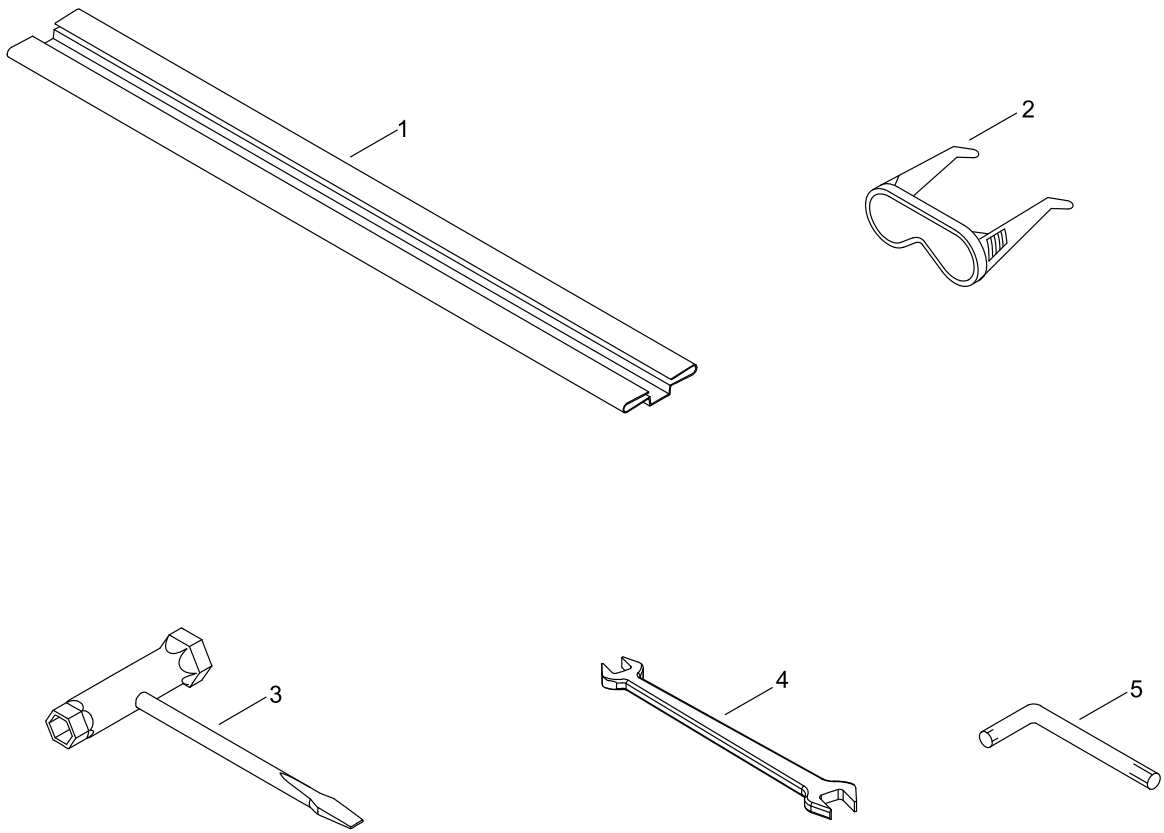
# THROTTLE



## THROTTLE

KEY NO	LV(+)	Part No	Description	Qty	Standard	Comment
1		P021-043720	THROTTLE LEVER ASY	1		
2	+	V805-000150	BOLT, TORX 5	1	TB-5*16 10.9	
3	+	900500-00005	NUT 5	1	5	
4	+	C450-000480	LEVER	1		
5	+	C460-000190	LOCK LEVER	1		
6	+	C461-000020	HOLDER	1		
7	+	P022-025820	SPRING, THR. RETURN	1		
8	+	V452-000500	COIL SPRING	1		
9	+	P022-035260	SWITCH, ON OFF	1		
10	+	P022-032480	SCREW	3		
11	+	P022-025790	PLUG	1		
12		V430-004510	CABLE,BOWDEN	1		
13		900502-00006	NUT 6 (3N)	1	3N6	
14		900518-00006	NUT, FLANGE	1	6	
15		V475-009240	TUBE	1		

# ACCESSORIES



## ACCESSORIES

KEY NO	LV(+)	Part No	Description	Qty	Standard	Comment
1		X495-000600	SCABBARD,BLADE	1	L=540	
2		X690-000080	GOGGLE	1	SI CHINA, Z87.1	
3		895410-03930	WRENCH, W/S. DRIVER	1		
4		895112-00330	SPANNER 8*10	1		
5		X605-000170	TOOL,L WRENCH	1		

# NUMERICAL PARTS INDEX

Part No	Part description	Page	Part No	Part description	Page	Part No	Part description	Page
100013-11520	PIN, PISTON	2	900701-00014	CIRCLIP 14	20	C461-000020	HOLDER	26
100014-11520	SPACER, PISTON PIN	2	900702-00024	CIRCLIP 24	20	C465-000030	RESETTER, LATCH	20
100015-04630	CIRCLIP, PISTON PIN	2	900702-00028	CIRCLIP 28	8	C506-000370	SHAFT, FLEXIBLE	24
100212-42031	OILSEAL	4	900702-00032	CIRCLIP 32	20	C532-000360	ROD, CONNECTING	20
100242-42030	GASKET, CRANKCASE	4	900706-00012	CIRCLIP 12	20	C534-001010	SHAFT, GEAR	20
101010-44332	GASKET, CYL. BASE	2	900720-00005	O-RING 5	20	C539-000160	LID,GEARCASE	20
125323-08260	ARM, VALVE	12	900724-00035	O-RING 35	20	C610-000050	FIXTURE, CUSHION	24
125337-08260	VALVE, INLET NEEDLE	12	900800-36002	BEARING, BALL 6002	20	C661-000080	SAFTY LEVER	20
125338-13930	PIN, METERING ARM	12	900807-06001	BEARING, BALL 6001	8	C661-000150	LEVER, RELEASE	20
125339-42030	SCREW	12	900855-06901	BEARING, BALL 6901	20	J447-001050	GUARD	22
125342-52130	COVER, DIAPHRAGM	12	900859-06901	BEARING, BALL	20	P005-000010	STRAINER	12
125344-13931	SCREW	12	91463-06020	SCREW TRUSS	20	P005-000100	SCREW, THROTTLEADJUST	12
125344-52130	SCREW	12	94004-36002	BEARING, BALL	20	P005-000190	E-RING	12
129011-52730	PLATE, PREVENT	10	94035-36201	BEARING BALL	4	P005-000200	GASKET, METERING	12
130017-44331	INSULATOR	10	A011-001410	CRANKSHAFT,ASY	2	P005-000250	RETAINER	12
131016-55830	GASKET, FUEL CAP	14	A021-003881	CARBURETOR, DIAPHRAGM	10	P005-000270	SCREW	12
132012-56030	PIPE	14	A021-003881	CARBURETOR, DIAPHRAGM	12	P005-000280	O-RING	12
132115-46730	GROMMET, FUEL	14	A051-001312	STARTER,RECOIL ASY	18	P005-000510	DIAPHRAGM, PUMP	12
145862-40630	SCREEN, MUFFLER	16	A052-000180	PULLEY,ASM STARTER	18	P005-000520	GASKET, PUMP	12
159116-21231	CLAMP	4	A056-000780	CLUTCH ASY	8	P005-001000	ROLLER, GUIDE	12
162014-27230	LEAD, GROUND	4	A101-000090	RING,PISTON	2	P005-001240	POST	12
175005-48931	DRUM, CLUTCH	8	A130-002100	CYLINDER	2	P005-001250	RETAINER,PLUG BALL	12
177228-27030	GRIP, STARTER	18	A160-002850	COVER,CYLINDER	2	P005-001260	SCREW,MAINN MIXTURE	12
177236-61830	SCREW	18	A172-003170	COVER,FAN	8	P005-001270	PLUG, H AJUST SCREW	12
433022-06460	NUT	22	A226-001410	ELEMENT,AIR FILTER	10	P005-001890	BASE, ASY PRIMER	12
610910-55230	CUSHION	8	A259-000010	CAP,LIMITER	12	P005-001900	SCREW	12
610922-27432	HOLDER	8	A313-000600	GUIDE,EXH	16	P005-002230	DIAPHRAGM ,METERING	12
610923-55230	HOLDER	8	A320-000480	COVER,MUFFLER	16	P005-002430	SPRING, MET. LEVER	12
890152-04930	LABEL, CAUTION	24	A350-000801	TANK, FUEL	14	P005-003110	PUMP, PRIMER	12
890332-52730	LABEL, CHOKE	10	A356-000031	VALVE,CHECK	14	P021-007712	PISTON KIT	2
895112-00330	SPANNER 8*10	28	A365-000060	CONNECTOR,CAP	14	P021-035680	FUEL CAP ASY	14
895410-03930	WRENCH, W/S. DRIVER	28	A369-000480	STRAINER, FUEL	14	P021-043720	THROTTLE LEVER ASY	26
900162-05022	BOLT, H.S. 5*22	2	A409-000160	ROTOR,MAGNETO	6	P021-047570	GEAR,BEVEL SET	20
900162-05028	BOLT, H.S. 5*28	4	A411-000130	COIL,IGNITION	6	P021-047652	MUFFLER ASY	16
900175-05012	BOLT, H.S.H	20	A425-000000	SPARKPLUG	6	P021-047670	MAIN PIPE ASY	24
900330-40080	PIN F 4*8	8	A426-000010	TERMINAL,SPARKPLUG	6	P021-047820	CASE ASY, GEAR	20
900500-00005	NUT 5	10	A427-000013	CAP,SPARK PLUG	6	P021-048780	HANDLE ASY	24
900500-00005	NUT 5	26	C226-000060	PIN,CONTROL	20	P021-051470	FAN COVER ASY	8
900502-00006	NUT 6 (3N)	20	C400-001020	HANDLE,FRONT	24	P021-051510	CLEANER CASE ASY	10
900502-00006	NUT 6 (3N)	26	C401-000280	PIECE,HANDLE	24	P022-002100	E-RING	18
900518-00006	NUT, FLANGE	26	C403-000480	HANDLE	20	P022-006510	SPRING, RETURN	18
900560-00006	NUT, LOCK	20	C403-000612	GRIP, HANDLE	24	P022-006850	PAWL, STARTER	18
900603-00005	WASHER 5	24	C450-000480	LEVER	26	P022-008270	SPRING,DAMPER	18
900603-00006	WASHER 6	20	C460-000190	LOCK LEVER	26	P022-019680	SPRING, SPIRAL	18
900701-00012	CIRCLIP 12	8						

# NUMERICAL PARTS INDEX

Part No	Part description	Page	Part No	Part description	Page
P022-019990	ROPE, STARTER	18	V553-000060	BEARING,NEEDLE 8	2
P022-025790	PLUG	26	V650-000661	GEAR,SPUR	20
P022-025820	SPRING, THR. RETURN	26	V651-001000	GEAR,BEVEL	20
P022-032480	SCREW	26	V655-000090	SHAFT,PINION	20
P022-034030	PLATE, CAM	18	V804-000030	BOLT, TORX 4	16
P022-034040	DRUM, STARTER	18	V804-000060	BOLT, TORX 4	8
P022-035260	SWITCH, ON OFF	26	V804-000060	BOLT, TORX 4	18
P022-036970	CASE,STARTER	18	V804-000070	BOLT, TORX 4	6
P022-037670	STOPPER, ROPE	18	V804-000110	BOLT, TORX 4	20
P100-001870	CRANKCASE SET	4	V805-000000	BOLT, TORX 5	2
P100-004080	CASE,GEAR ASY	20	V805-000000	BOLT, TORX 5	16
P100-004130	LID,CLEANER ASY	10	V805-000070	BOLT, TORX 5	24
V103-001360	GASKET,INTAKE	10	V805-000100	BOLT, TORX 5	10
V103-001390	GASKET,INTAKE	10	V805-000120	BOLT, TORX 5	22
V104-000850	GASKET,EXHAUST	16	V805-000130	BOLT, TORX 5	4
V104-001761	GASKET,EXHAUST	16	V805-000130	BOLT, TORX 5	20
V110-000180	GASKET,GEAR CASE	20	V805-000150	BOLT, TORX 5	2
V150-000371	PLATE,EYE	16	V805-000150	BOLT, TORX 5	16
V150-003941	PLATE,EYE	20	V805-000150	BOLT, TORX 5	26
V187-000080	GREASE NIPPLE	20	V805-000160	BOLT, TORX 5	8
V204-000570	BOLT	22	V805-000160	BOLT, TORX 5	10
V204-000580	PIN RATCHET	20	V805-000160	BOLT, TORX 5	14
V263-000130	NUT	24	V805-000170	BOLT, TORX 5	20
V263-000330	FLANGE NUT	22	V805-000190	BOLT, TORX 5	16
V299-000520	KNOB,FASTENER	10	V805-000250	BOLT, TORX 5	22
V304-000240	WASHER	22	V805-000300	BOLT, TORX 5	20
V340-000300	SHIM	20	X041-000510	CUTTER,ASM	22
V347-000030	CONE WASHER	20	X411-001320	CUTTER	22
V354-000320	COLLAR	20	X425-000920	SUPPORT,CUTTER	22
V356-000730	COLLAR,10	20	X425-000930	SUPPORT,CUTTER	22
V362-000160	COLLAR,22	24	X495-000600	SCABBARD,BLADE	28
V376-002130	SPACER	22	X504-007680	LABEL,BRAND	18
V420-003700	CUSHION	24	X505-002890	LABEL CAUTION	24
V430-004510	CABLE,BOWDEN	26	X505-007710	LABEL,CAUTION	2
V452-000500	COIL SPRING	26	X562-000740	LABEL,SHINDAIWA	2
V452-000710	COIL SPRING	20	X605-000170	TOOL,L WRENCH	28
V470-000840	PIPE	14	X690-000080	GOGGLE	28
V471-001210	PIPE	14			
V475-007200	TUBE	6			
V475-009240	TUBE	26			
V485-001120	LEAD	6			
V490-001240	CLIP	14			
V494-000880	CAP	20			
V494-000891	CAP	20			
V541-000570	SEAL	20			