

**shindaiwa<sup>®</sup>**

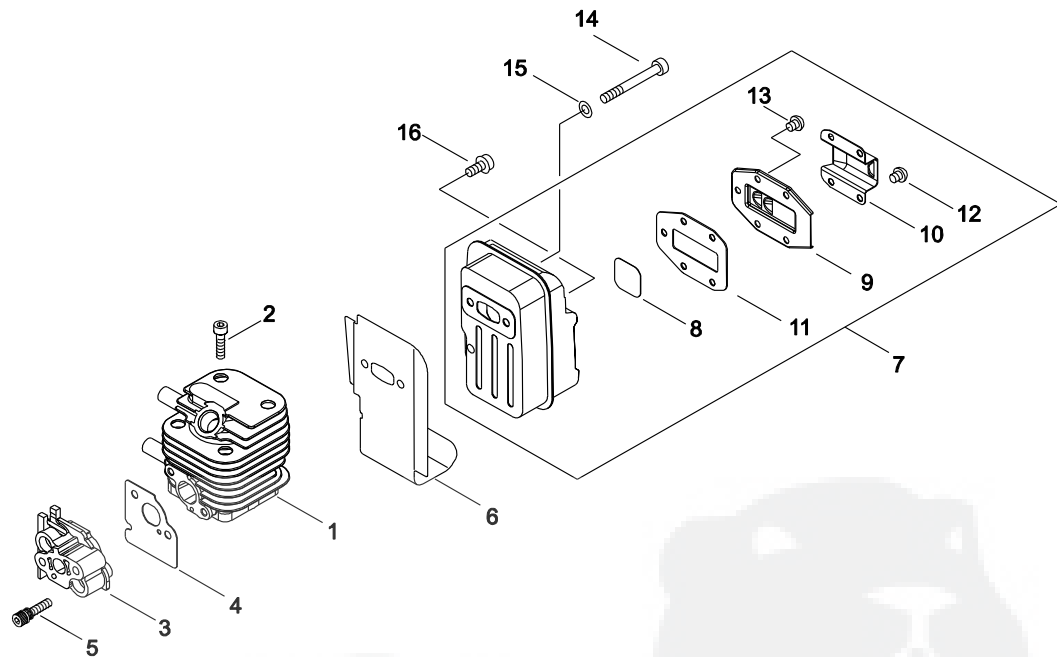
**PARTS CATALOG**  
**MULTI-TOOL SYSTEM**  
**M243S(37)**

**37005801 -**

**CE**

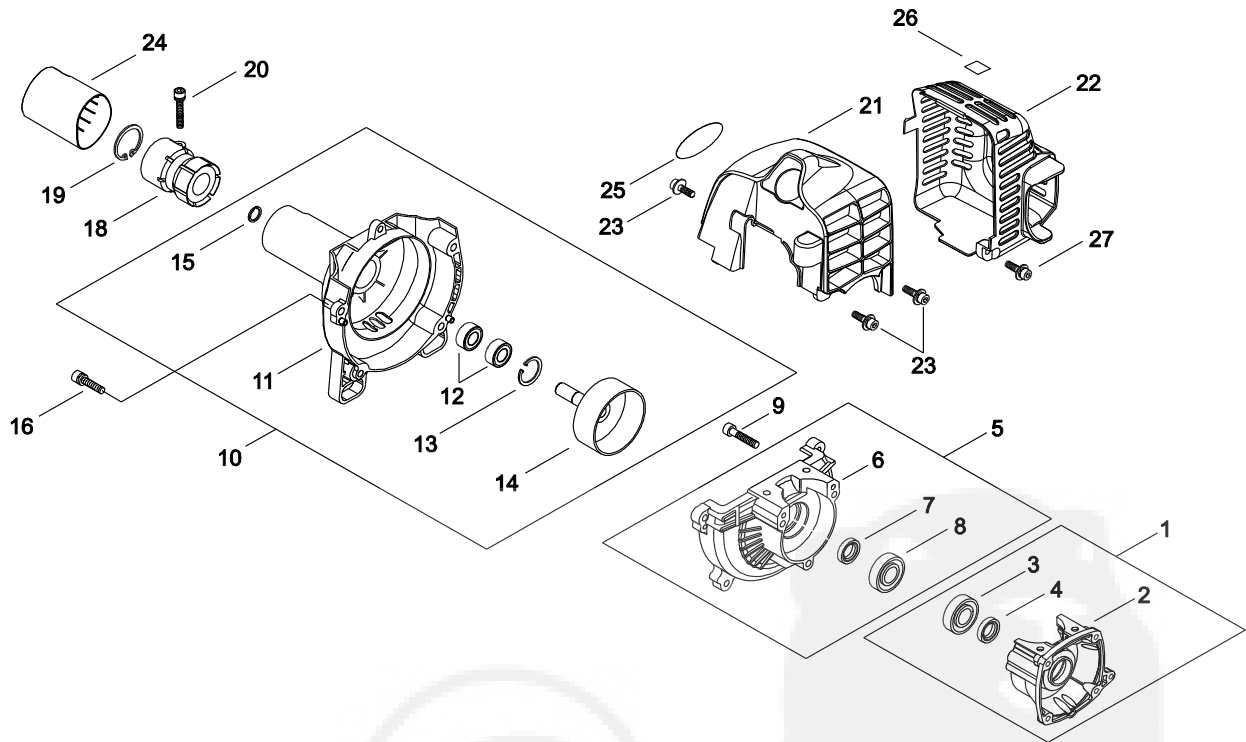
P016-001481-14C

## 1. CYLINDER, MUFFLER



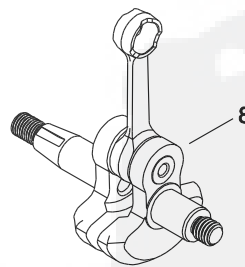
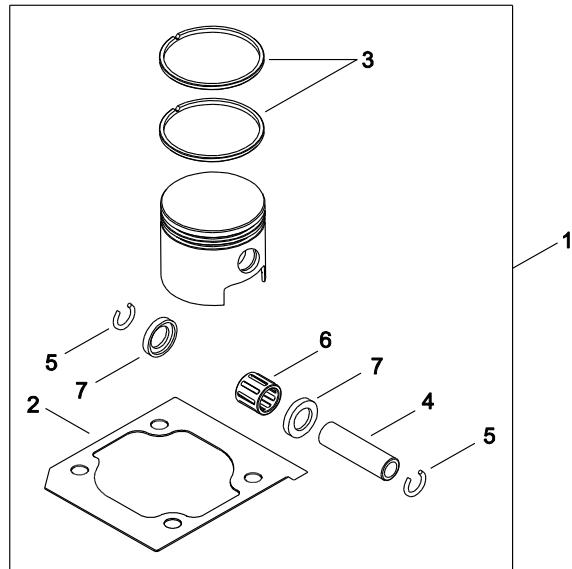
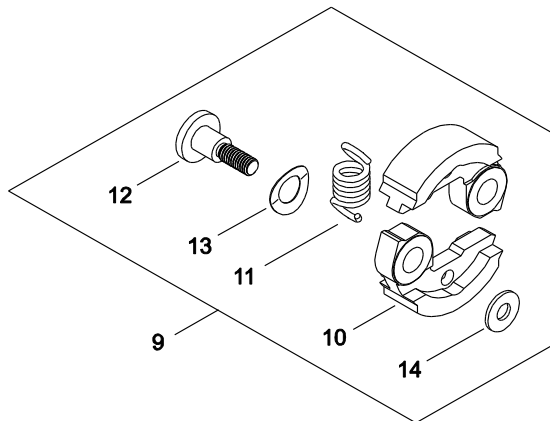
KEY	LV	PART NUMBER	Q'TY	DESCRIPTION	REMARKS	NOTE1	NOTE2
1		A130-001710	1	CYLINDER	NRCP		
2		900105-05016	4	BOLT, H.S. 5*16	5*16		
3		A200-000910	1	INSULATOR, INTAKE			
4		V103-000660	1	GASKET			
5		900162-05030	2	BOLT, H.S. 5*30	5*30 W,SW		
6		V104-002200	1	GASKET, EXHAUST			
7		P021-037641	1	MUFFLER ASY			
8	+	A310-000170	1	SCREEN			
9	+	A313-001660	1	GUIDE, EXHAUST			
10	+	A313-001230	1	TAIL PLATE			
11	+	V104-001100	1	GASKET			
12	+	900283-04008	4	SCREW 4*8	4*8		
13	+	900283-04008	1	SCREW 4*8	4*8		
14		91109-05055	2	BOLT	CB-5*0.8*55		
15		900604-00005	2	WASHER 5 SUS	5 SUS		
16		900106-05012	1	BOLT, H.S. 5*12	5*12		

## 2. FAN COVER, CRANKCASE



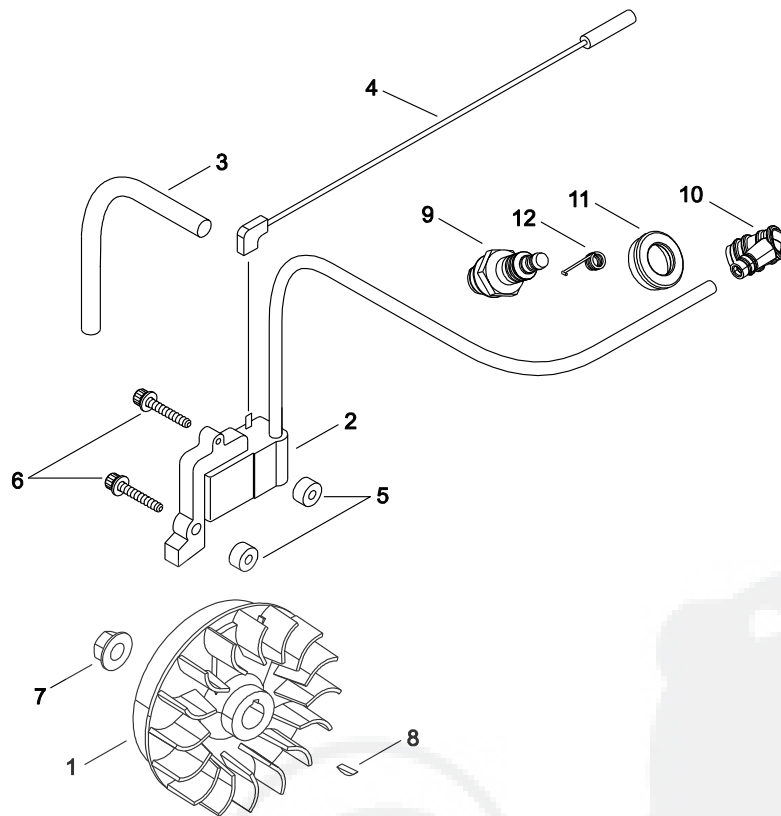
KEY	LV	PART NUMBER	Q'TY	DESCRIPTION	REMARKS	NOTE1	NOTE2
1		P021-035650	1	CRANK CASE S COMP	T242		
2	+	A120-000140	1	CRANK CASE S			
3	+	900800-36001	1	BEARING, BALL 6001	6001/C3		
4	+	V505-000070	1	OIL SEAL			
5		P021-035660	1	CRANK CASE M COMP	T242		
6	+	A120-000130	1	CRANK CASE M			
7	+	V505-000080	1	OIL SEAL			
8	+	900800-36001	1	BEARING, BALL 6001	6001/C3		
9		900105-05025	3	BOLT, H.S. 5*25	5*25		
10		P021-035702	1	FAN COVER-A			
11	+	A172-001700	1	COVER,FAN			
12	+	900802-06000	2	BEARING, BALL 6000	6000DDU(LLU)		
13	+	900702-00026	1	CIRCLIP 26	CR-26		
14	+	A556-001300	1	DRUM,CLUTCH			
15	+	900701-00010	1	CIRCLIP 10	CS-10		
16		900162-05018	2	BOLT, H.S. 5*18	5*18 W,SW		
18		A575-000470	1	FIXTURE, MAIN PIPE			
19		900702-00040	1	CIRCLIP 40	CR-40		
20		91122-05022	1	BOLT	CB-5*22 SW		
21		A160-002280	1	COVER,CYLINDER			
22		A320-000870	1	COVER,MUFFLER			
23		V202-000200	3	BOLT			
24		A413-000000	1	PROTECTOR			
25		X504-007730	1	LABEL,BRAND	M243S		
26		X505-002310	1	LABEL,CAUTION	HOT CAUTION		
27		V202-000200	1	BOLT			

### 3. PISTON, CRANKSHAFT



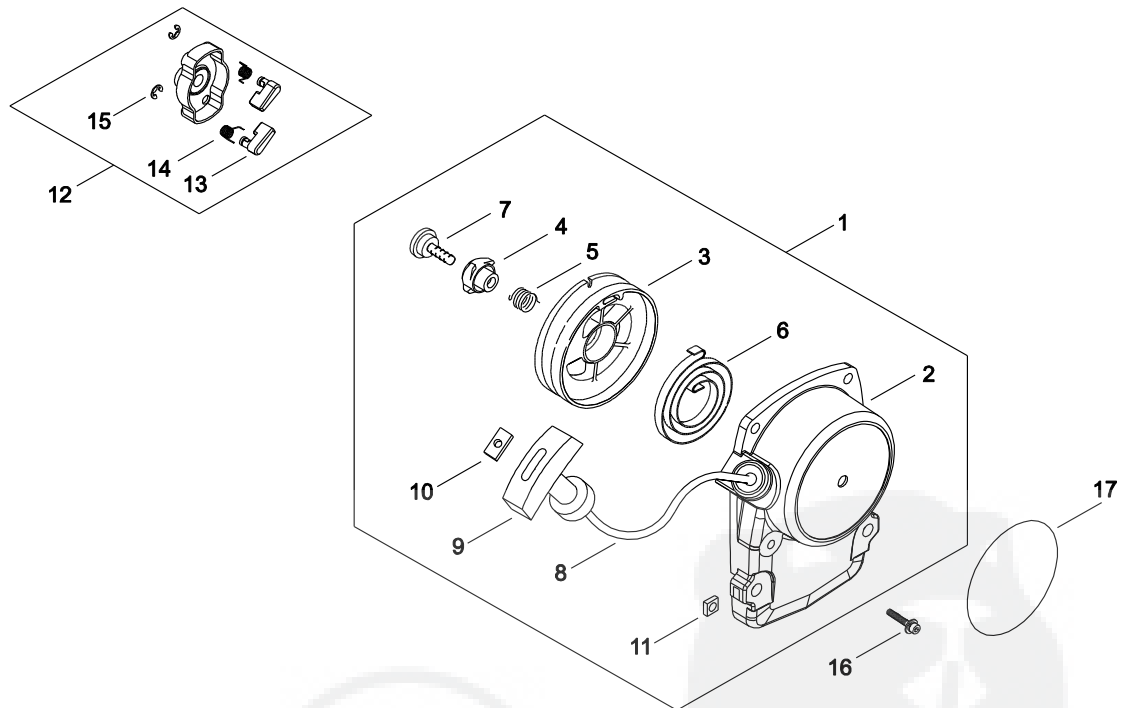
KEY	LV	PART NUMBER	Q'TY	DESCRIPTION	REMARKS	NOTE1	NOTE2
1		P021-035672	1	PISTON KIT			
2	+	V100-000610	1	GASKET,CYL			
3	+	A101-000290	2	PISTON RING			
4	+	V606-000000	1	PIN,ENG 8	5*8*28		
5	+	100015-04630	2	CIRCLIP, PISTON PIN			
6	+	V553-000080	1	NEEDLE BEARING			
7	+	V306-000250	2	WASHER,CIRCULAR 8			
8		A011-000700	1	CRANK SHAFT			
9		A056-000260	1	CLUTCH SHOE ASSY			
10	+	A553-000060	2	CLUTCH SHOE			
11	+	A566-000050	1	COIL SPRING			
12	+	A557-000040	2	BOLT			
13	+	V346-000040	2	SPRING PLATE			
14	+	V304-000150	2	WASHER			

## 4. MAGNETO



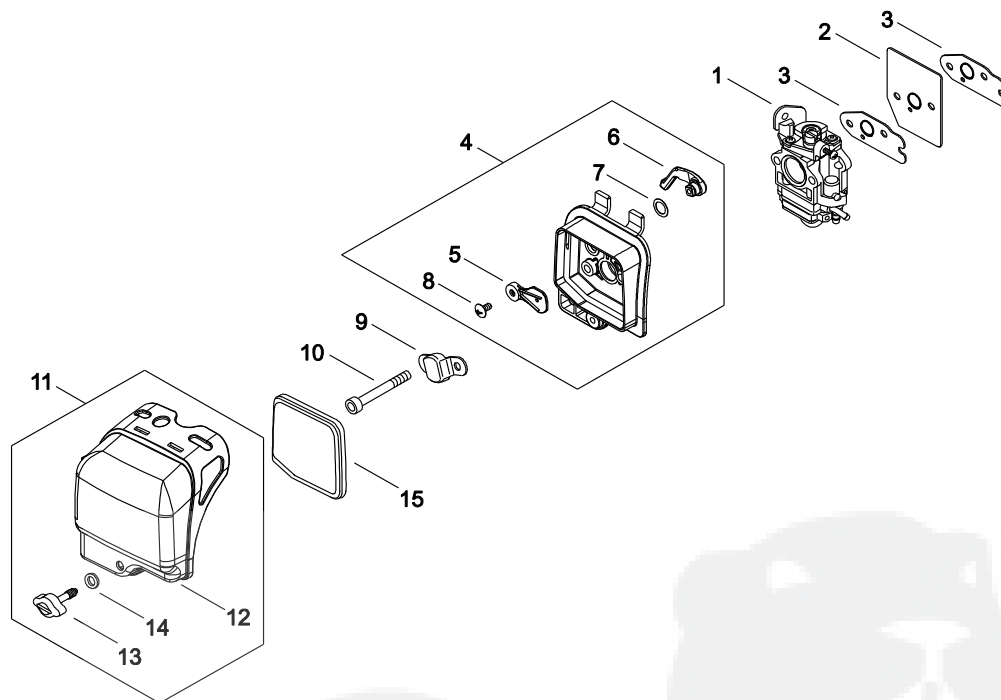
KEY	LV	PART NUMBER	Q'TY	DESCRIPTION	REMARKS	NOTE1	NOTE2
1		A409-001060	1	ROTOR, MAGNETO	C12076		
2		A411-001540	1	COIL, IGNITION			
3		V475-006600	1	TUBE	SSG-3 8*L125		
4		V485-002470	1	LEAD	L185		
5		V322-000040	2	INSULATOR			
6		V202-000480	2	BOLT ADHESIVE			
7		V265-000140	1	NUT			
8		93115-03010	1	KEY	3*10		
9		A425-000000	1	SPARKPLUG	BPMR8Y		
10		A427-000060	1	CAP, SPARK PLUG			
11		A429-000090	1	COVER, CAP			
12		A426-000010	1	TERMINAL, SPARKPLUG			

## 5. RECOIL STARTER



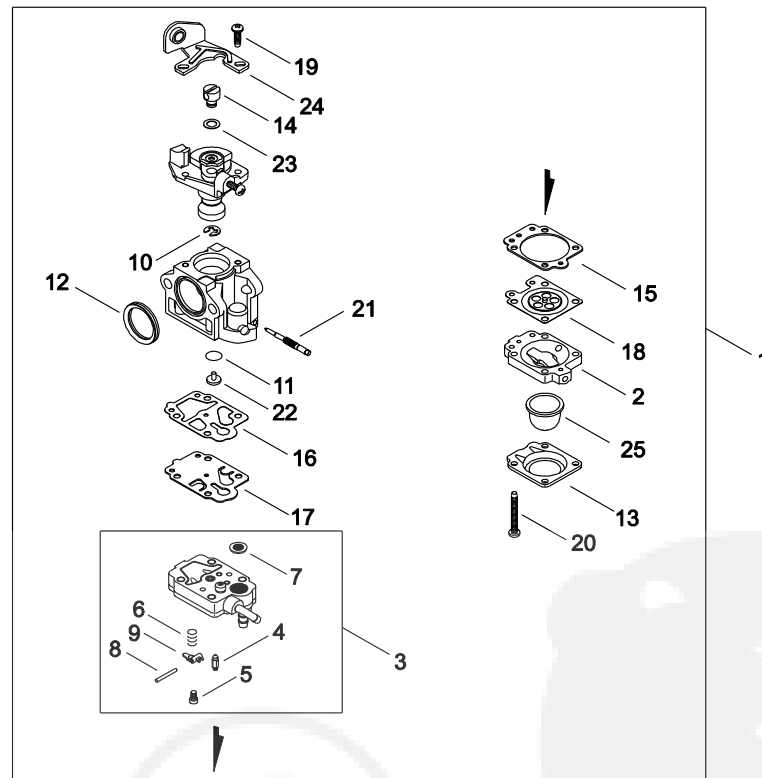
KEY	LV	PART NUMBER	Q'TY	DESCRIPTION	REMARKS	NOTE1	NOTE2
1		A051-002840	1	STARTER,RECOIL ASY			
2	+	P022-038050	1	CASE,STARTER			
3	+	P022-027980	1	DRUM, STARTER			
4	+	P022-028000	1	PLATE, CAM			
5	+	P022-008270	1	SPRING,DAMPER			
6	+	177220-42030	1	SPRING, REWIND			
7	+	177236-61830	1	SCREW			
8	+	P022-008260	1	ROPE	3M/M		
9	+	177228-27030	1	GRIP, STARTER			
10	+	P022-037670	1	STOPPER, ROPE			
11	+	900565-00005	2	NUT	5		
12		A052-000180	1	PULLEY,ASM STARTER			
13	+	P022-006850	2	PAWL, STARTER			
14	+	P022-006510	2	SPRING, RETURN			
15	+	P022-002100	2	E-RING	4		
16		V202-000200	2	BOLT			
17		X504-007680	1	LABEL,BRAND	SHINDAIWA 47		

## 6. AIR CLEANER



KEY	LV	PART NUMBER	Q'TY	DESCRIPTION	REMARKS	NOTE1	NOTE2
1		A021-003310	1	CARBURETOR,DIAPHRAGM	WYK-353		
2		A209-000460	1	PLATE, INSULATOR			
3		V103-001060	2	GASKET			
4		A023-000290	1	CASE,CLEANER			
5	+	A243-000280	1	SHUTTER, CHOKE			
6	+	A242-000140	1	CHOKE LEVER			
7	+	V346-000050	1	WASHER,WAVE			
8	+	91439-04012	1	SCREW,TRUSS,T			
9		A244-000120	1	BACK PLATE			
10		91109-05060	2	BOLT	CB-5*60		
11		A232-000640	1	CLEANER COVER ASSY			
12	+	A232-000630	1	CLEANER COVER			
13	+	V299-000340	1	KNOB			
14	+	V323-000080	1	COLLAR			
15		A226-001390	1	ELEMENT, AIR FILTER	YF975X1300		

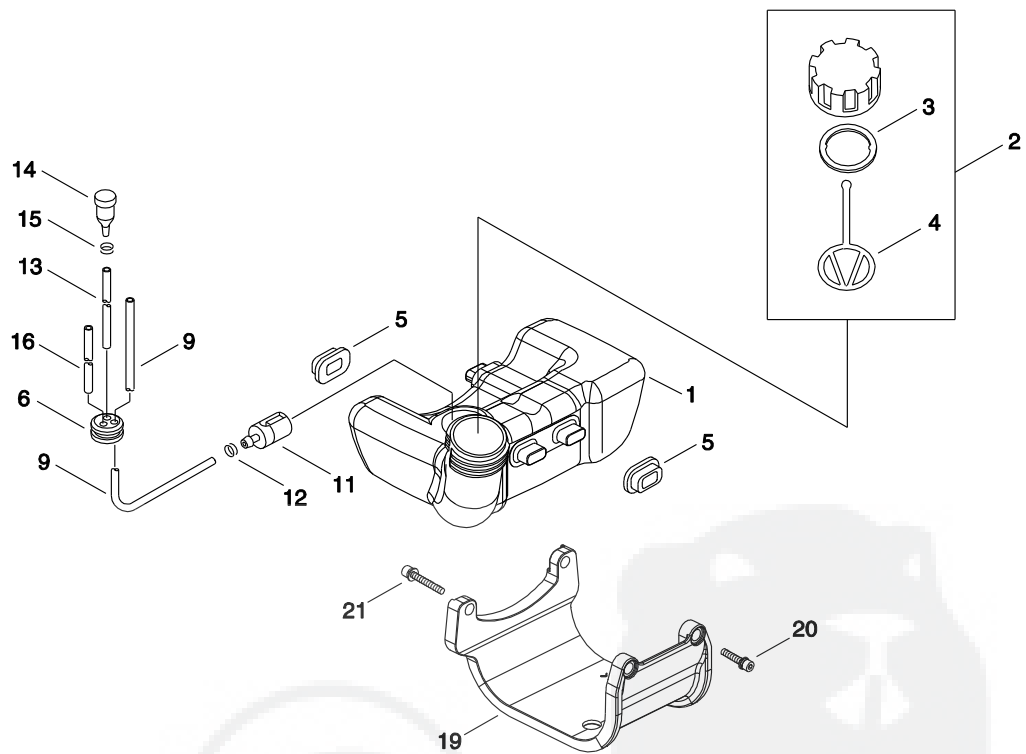
## 7. CARBURETOR



KEY	LV	PART NUMBER	Q'TY	DESCRIPTION	REMARKS	NOTE1	NOTE2
1		A021-003310	1	CARBURETOR,DIAPHRAGM	WYK-353		
2	+	P003-003980	1	BODY, AIR PURGE			
3	+	P003-004150	1	BODY ASSEMBLY, PUMP	T242		
4	++	123137-19830	1	VALVE, INLET NEEDLE			
5	++	123139-05560	1	SCREW, M. LEVER PIN			
6	++	123122-05560	1	SPRING, METER. LEVER			
7	++	123126-10631	1	SCREEN, INLET			
8	++	123138-03930	1	PIN, METERING LEVER			
9	++	123123-03930	1	LEVER, METERING			
10	+	123173-07930	1	CLIP			
11	+	123183-40630	1	O-RING			
12	+	123143-12110	1	RING, PACKING			
13	+	123142-05560	1	COVER, PRIMER PUMP			
14	+	123172-45130	1	SWIVEL			
15	+	123140-05560	1	GASKET, M. DIAPHRAGM			
16	+	P003-004100	1	GASKET, PUMP			
17	+	123112-40630	1	DIAPHRAGM, PUMP			
19	+	123114-40630	2	SCREW			
20	+	123110-05560	4	SCREW, PUMP COVER			
21	+	P003-004110	1	NEEDLE			
22	+	P003-004120	1	JET			
23	+	123149-54230	1	WASHER			
24	+	P003-002590	1	BRACKET			
25	+	123181-40630	1	PUMP, PRIMER			

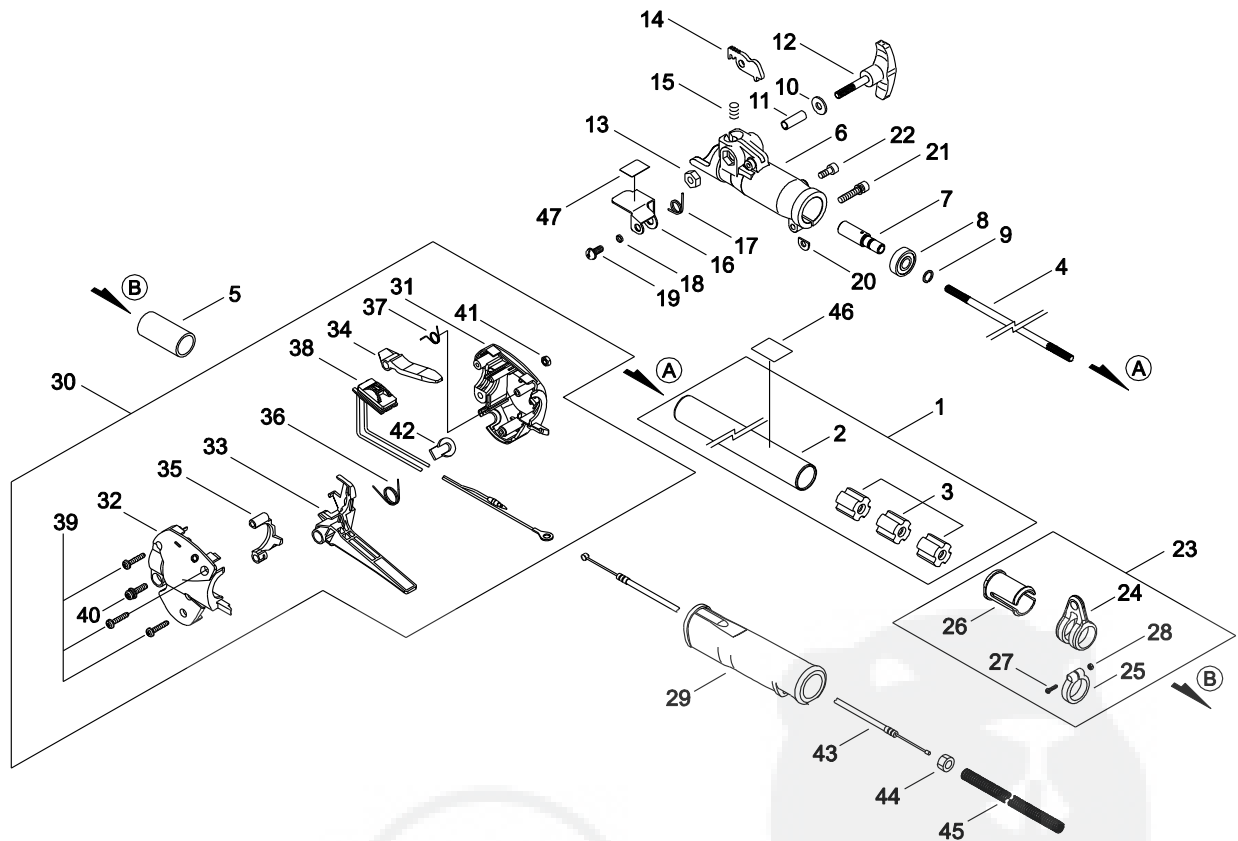


## 8. FUEL TANK



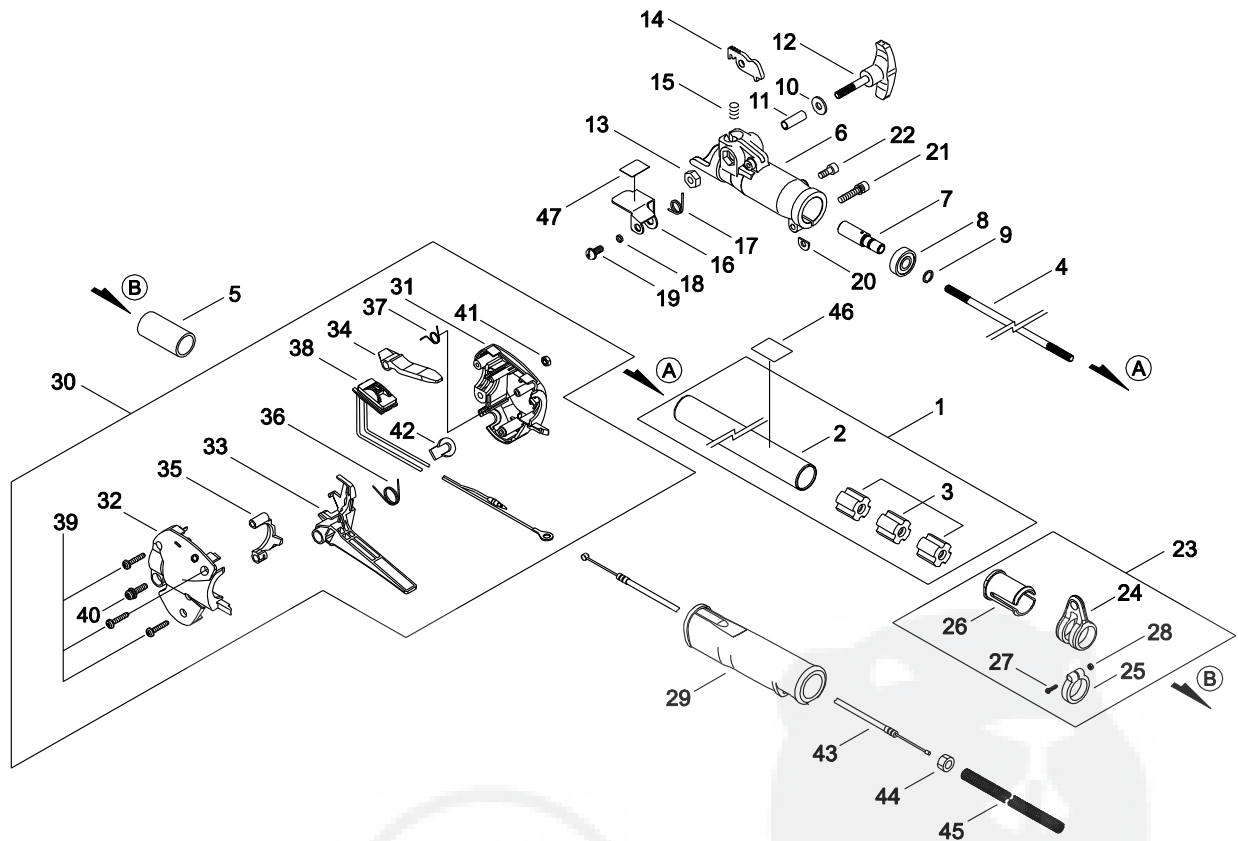
KEY	LV	PART NUMBER	Q'TY	DESCRIPTION	REMARKS	NOTE1	NOTE2
1		A350-000972	1	TANK, FUEL			
2		P021-035680	1	FUEL CAP ASY	T242		
3	+	131016-55830	1	GASKET, FUEL CAP			
4	+	A365-000060	1	CONNECTOR,CAP	L=123		
5		V420-002220	4	TANK CUSHION			
6		132115-55930	1	GROMMET, FUEL			
9		437210-30830	1	PIPE, OIL	NBR 3*6*210L		
11		A369-000001	1	STRAINER, FUEL	125-528		
12		V490-001240	1	CLIP			
13		130110-54430	1	PIPE, IMPULSE	3*6*105 NBR		
14		A356-000040	1	VALVE,CHECK			
15		V490-001230	1	CLIP			
16		132010-49730	1	PIPE 3*6*85	3*6*85 YL		
19		A175-000080	1	TANK GUARD			
20		900162-05018	2	BOLT, H.S. 5*18	5*18 W,SW		
21		900162-05040	2	BOLT, H.S. 5*40	5*40 W,SW		

## 9. OUTER PIPE, THROTTLE LEVER



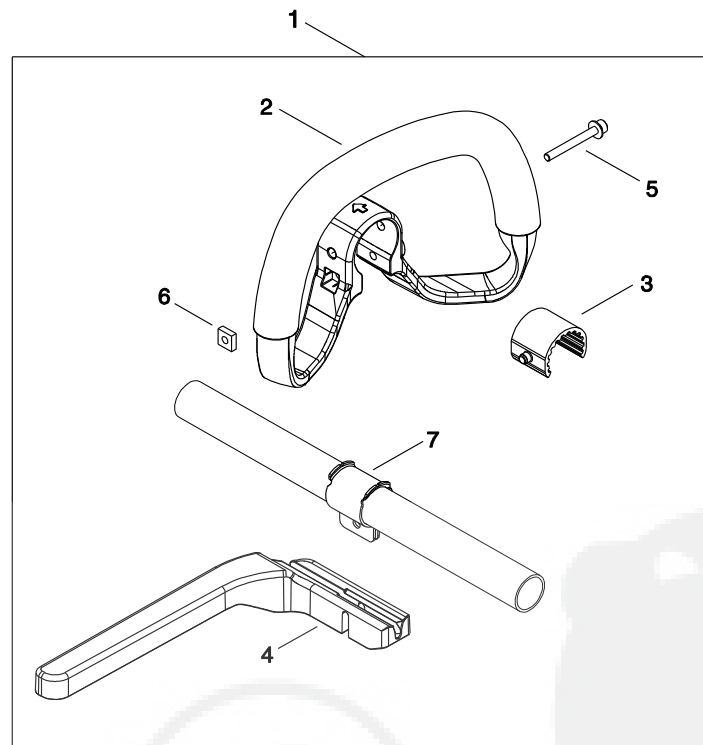
KEY	LV	PART NUMBER	Q'TY	DESCRIPTION	REMARKS	NOTE1	NOTE2
1		C050-001500	1	OUTER PIPE COMP			
2	+	C500-000480	1	OUTER PIPE			
3	+	C501-000010	3	BUSH			
4		C504-000550	1	MAIN SHAFT	6 X L779		
5		V363-000120	1	PROTECTOR			
6		C510-000200	1	JOINT CASE			
7		P021-028880	1	JOINT SHAFT			
8		900804-00609	1	BEARING, BALL 609	609ZZ		
9		900706-00009	1	CIRCLIP 9	WR-9		
10		V304-000160	1	WASHER			
11		V354-000260	1	COLLAR			
12		V299-000350	1	KNOB			
13		V264-000120	1	NUT			
14		C661-000050	1	LOCK LEVER			
15		V450-000860	1	COIL SPRING			
16		C516-000020	1	COVER			
17		V452-000510	1	COIL SPRING			
18		V353-000330	1	COLLAR			
19		91577-05012	1	SCREW PM SLPW			
20		V340-000300	1	SHIM			
21		V203-000560	1	BOLT SW			
22		900105-05012	1	BOLT, H.S. 5*12	5*12		
23		C063-000000	1	HANGER ASSY			
24	+	C670-000060	1	HANGER			
25	+	V495-001330	1	CLAMP			

## 9. OUTER PIPE, THROTTLE LEVER



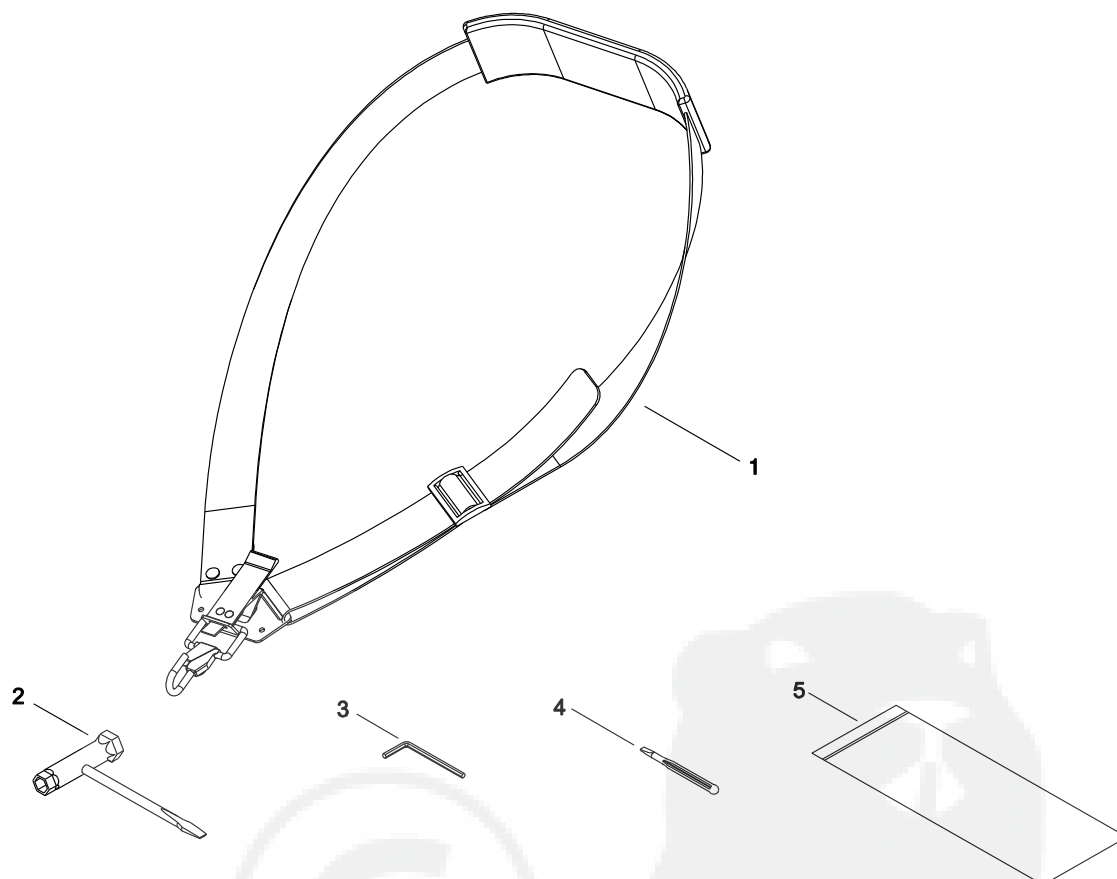
KEY	LV	PART NUMBER	Q'TY	DESCRIPTION	REMARKS	NOTE1	NOTE2
26	+	V363-000110	1	COLLAR			
27	+	91578-04016	1	SCREW PM			
28	+	900500-00004	1	NUT 4	4		
29		C412-000261	1	GRIP, HANDLE			
30		C044-000350	1	THROTTLE LEVER ASSY			
31	+	C401-000140	1	BODY RIGHT			
32	+	C401-000150	1	BODY LEFT			
33	+	C450-000480	1	LEVER			
34	+	C460-000190	1	LOCK LEVER			
35	+	C461-000020	1	HOLDER			
36	+	P022-025820	1	SPRING, THR. RETURN			
37	+	V452-000500	1	COIL SPRING			
38	+	P022-038060	1	SWITCH ASY			
39	+	P022-032480	3	SCREW			
40	+	P022-025800	1	SCREW	M5*20		
41	+	92017-05000	1	NUT	M5		
42	+	P022-025790	1	PLUG			
43		V430-002611	1	CABLE, BOWDEN			
44		900502-00006	1	NUT 6 (3N)	3N6		
45		V475-004470	1	TUBE			
46		X505-002970	1	LABEL CAUTION			
47		X505-002880	1	LABEL INST			

## 10. HANDLE



KEY	LV	PART NUMBER	Q'TY	DESCRIPTION	REMARKS	NOTE1	NOTE2
1		P021-036370	1	HANDLE ASY			
2	+	C400-001020	1	HANDLE,FRONT			
3	+	V420-003860	1	CUSHION			
4	+	C405-000420	1	BARRIER			
5	+	V203-000770	1	BOLT-SLPW			
6	+	V263-000130	1	NUT			
7	+	V495-002580	1	BAND			

## 11. ACCESSORIES



KEY	LV	PART NUMBER	Q'TY	DESCRIPTION	REMARKS	NOTE1	NOTE2
1		C062-000390	1	STRAP ASSY			
2		X602-000120	1	TOOL,WRENCH	19-13		
3		X605-000100	1	TOOL,L WRENCH	4MM M5		
4		X626-000010	1	TOOL,SCRAPER			
5		X705-000100	1	BAG,PACKING	140*200*T0.08		

## Index

Patrs Number	Key No.	Patrs Number	Key No.	Patrs Number	Key No.
100015-04630	3 - 5	91109-05060	6 - 10	C044-000350	9 - 30
123110-05560	7 - 20	91122-05022	2 - 20	C050-001500	9 - 1
123112-40630	7 - 17	91439-04012	6 - 8	C062-000390	11 - 1
123114-40630	7 - 19	91577-05012	9 - 19	C063-000000	9 - 23
123122-05560	7 - 6	91578-04016	9 - 27	C400-001020	10 - 2
123123-03930	7 - 9	92017-05000	9 - 41	C401-000140	9 - 31
123126-10631	7 - 7	93115-03010	4 - 8	C401-000150	9 - 32
123137-19830	7 - 4	A011-000700	3 - 8	C405-000420	10 - 4
123138-03930	7 - 8	A021-003310	6 - 1	C412-000261	9 - 29
123139-05560	7 - 5	A021-003310	7 - 1	C450-000480	9 - 33
123140-05560	7 - 15	A023-000290	6 - 4	C460-000190	9 - 34
123142-05560	7 - 13	A051-002840	5 - 1	C461-000020	9 - 35
123143-12110	7 - 12	A052-000180	5 - 12	C500-000480	9 - 2
123149-54230	7 - 23	A056-000260	3 - 9	C501-000010	9 - 3
123172-45130	7 - 14	A101-000290	3 - 3	C504-000550	9 - 4
123173-07930	7 - 10	A120-000130	2 - 6	C510-000200	9 - 6
123181-40630	7 - 25	A120-000140	2 - 2	C516-000020	9 - 16
123183-40630	7 - 11	A130-001710	1 - 1	C661-000050	9 - 14
130110-54430	8 - 13	A160-002280	2 - 21	C670-000060	9 - 24
131016-55830	8 - 3	A172-001700	2 - 11	P003-002590	7 - 24
132010-49730	8 - 16	A175-000080	8 - 19	P003-003980	7 - 2
132115-55930	8 - 6	A200-000910	1 - 3	P003-004100	7 - 16
177220-42030	5 - 6	A209-000460	6 - 2	P003-004110	7 - 21
177228-27030	5 - 9	A226-001390	6 - 15	P003-004120	7 - 22
177236-61830	5 - 7	A232-000630	6 - 12	P003-004150	7 - 3
437210-30830	8 - 9	A232-000640	6 - 11	P021-028880	9 - 7
900105-05012	9 - 22	A242-000140	6 - 6	P021-035650	2 - 1
900105-05016	1 - 2	A243-000280	6 - 5	P021-035660	2 - 5
900105-05025	2 - 9	A244-000120	6 - 9	P021-035672	3 - 1
900106-05012	1 - 16	A310-000170	1 - 8	P021-035680	8 - 2
900162-05018	2 - 16	A313-001230	1 - 10	P021-035702	2 - 10
900162-05018	8 - 20	A313-001660	1 - 9	P021-036370	10 - 1
900162-05030	1 - 5	A320-000870	2 - 22	P021-037641	1 - 7
900162-05040	8 - 21	A350-000972	8 - 1	P022-002100	5 - 15
900283-04008	1 - 12	A356-000040	8 - 14	P022-006510	5 - 14
900283-04008	1 - 13	A365-000060	8 - 4	P022-006850	5 - 13
900500-00004	9 - 28	A369-000001	8 - 11	P022-008260	5 - 8
900502-00006	9 - 44	A409-001060	4 - 1	P022-008270	5 - 5
900565-00005	5 - 11	A411-001540	4 - 2	P022-025790	9 - 42
900604-00005	1 - 15	A413-000000	2 - 24	P022-025800	9 - 40
900701-00010	2 - 15	A425-000000	4 - 9	P022-025820	9 - 36
900702-00026	2 - 13	A426-000010	4 - 12	P022-027980	5 - 3
900702-00040	2 - 19	A427-000060	4 - 10	P022-028000	5 - 4
900706-00009	9 - 9	A429-000090	4 - 11	P022-032480	9 - 39
900800-36001	2 - 3	A553-000060	3 - 10	P022-037670	5 - 10
900800-36001	2 - 8	A556-001300	2 - 14	P022-038050	5 - 2
900802-06000	2 - 12	A557-000040	3 - 12	P022-038060	9 - 38
900804-00609	9 - 8	A566-000050	3 - 11	V100-000610	3 - 2
91109-05055	1 - 14	A575-000470	2 - 18	V103-000660	1 - 4

**Index**

<b>Patrs Number</b>	<b>Key No.</b>	<b>Patrs Number</b>	<b>Key No.</b>	<b>Patrs Number</b>	<b>Key No.</b>
V103-001060	6 - 3	X605-000100	11 - 3		
V104-001100	1 - 11	X626-000010	11 - 4		
V104-002200	1 - 6	X705-000100	11 - 5		
V202-000200	2 - 23				
V202-000200	2 - 27				
V202-000200	5 - 16				
V202-000480	4 - 6				
V203-000560	9 - 21				
V203-000770	10 - 5				
V263-000130	10 - 6				
V264-000120	9 - 13				
V265-000140	4 - 7				
V299-000340	6 - 13				
V299-000350	9 - 12				
V304-000150	3 - 14				
V304-000160	9 - 10				
V306-000250	3 - 7				
V322-000040	4 - 5				
V323-000080	6 - 14				
V340-000300	9 - 20				
V346-000040	3 - 13				
V346-000050	6 - 7				
V353-000330	9 - 18				
V354-000260	9 - 11				
V363-000110	9 - 26				
V363-000120	9 - 5				
V420-002220	8 - 5				
V420-003860	10 - 3				
V430-002611	9 - 43				
V450-000860	9 - 15				
V452-000500	9 - 37				
V452-000510	9 - 17				
V475-004470	9 - 45				
V475-006600	4 - 3				
V485-002470	4 - 4				
V490-001230	8 - 15				
V490-001240	8 - 12				
V495-001330	9 - 25				
V495-002580	10 - 7				
V505-000070	2 - 4				
V505-000080	2 - 7				
V553-000080	3 - 6				
V606-000000	3 - 4				
X504-007680	5 - 17				
X504-007730	2 - 25				
X505-002310	2 - 26				
X505-002880	9 - 47				
X505-002970	9 - 46				
X602-000120	11 - 2				

# YAMABIKO CORPORATION

7-2 SUEHIROCHO 1-CHOME, OHME, TOKYO 198-8760, JAPAN  
PHONE: 81-428-32-6118. FAX: 81-428-32-6145.



-14C  
No. 05-218