



PARTS CATALOG

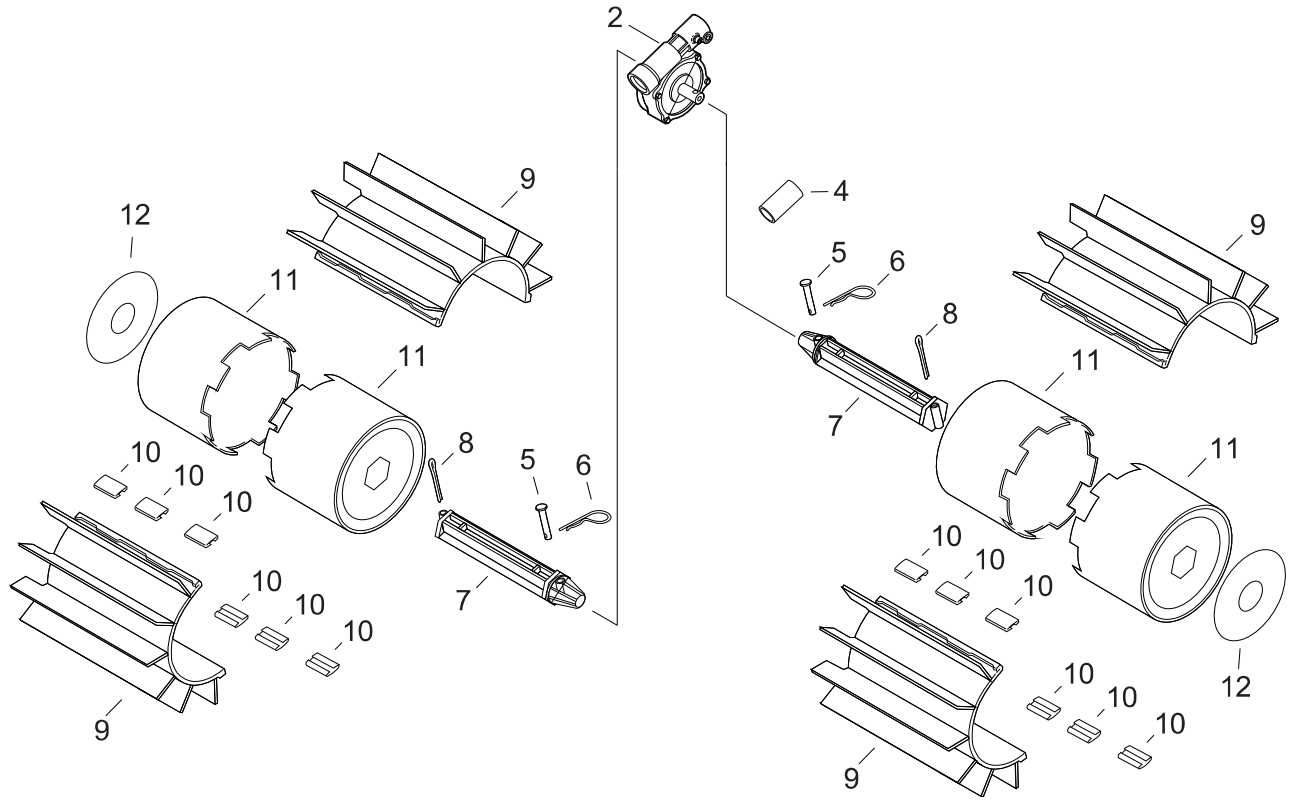
POWER BROOM ATTACHMENT

SBA-PS24

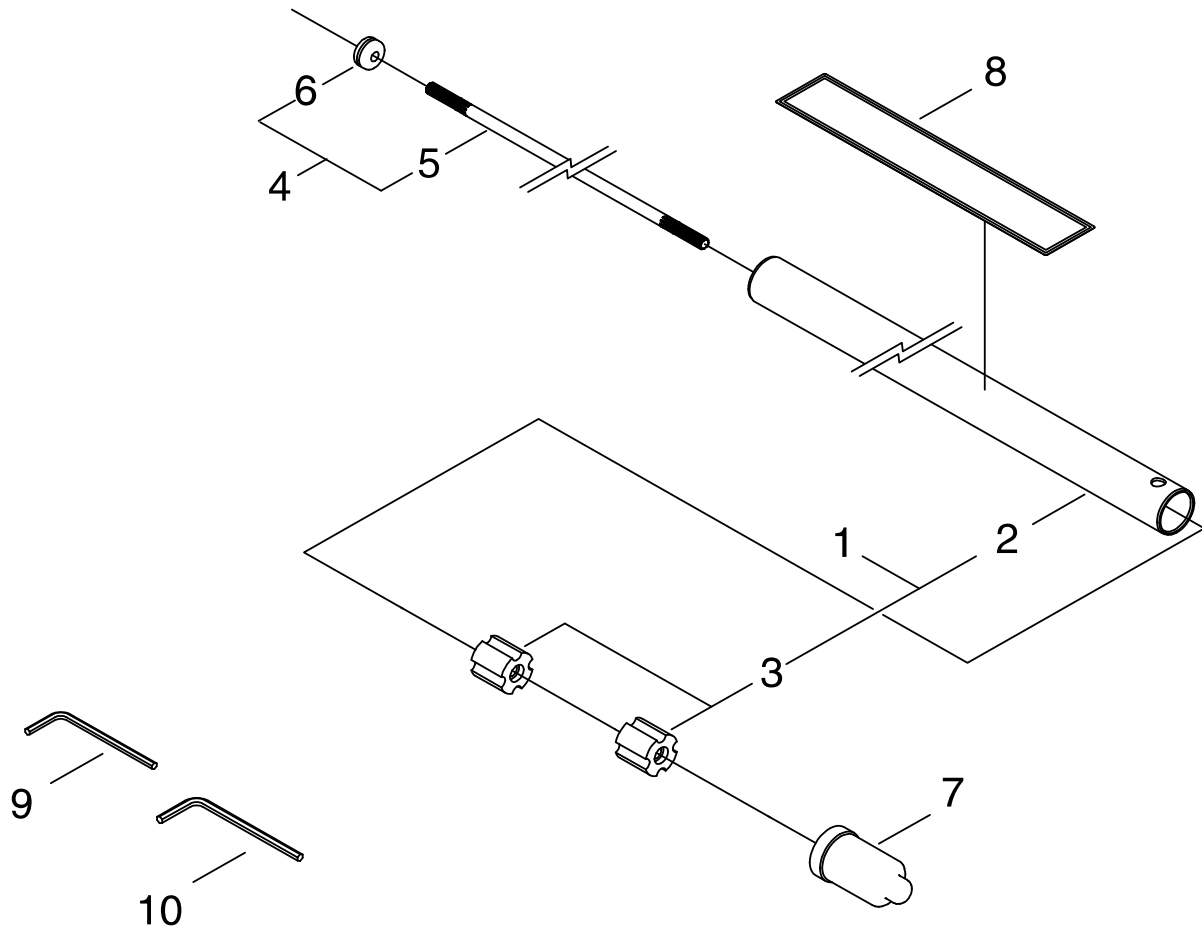


CE

P016-000680-11Jb



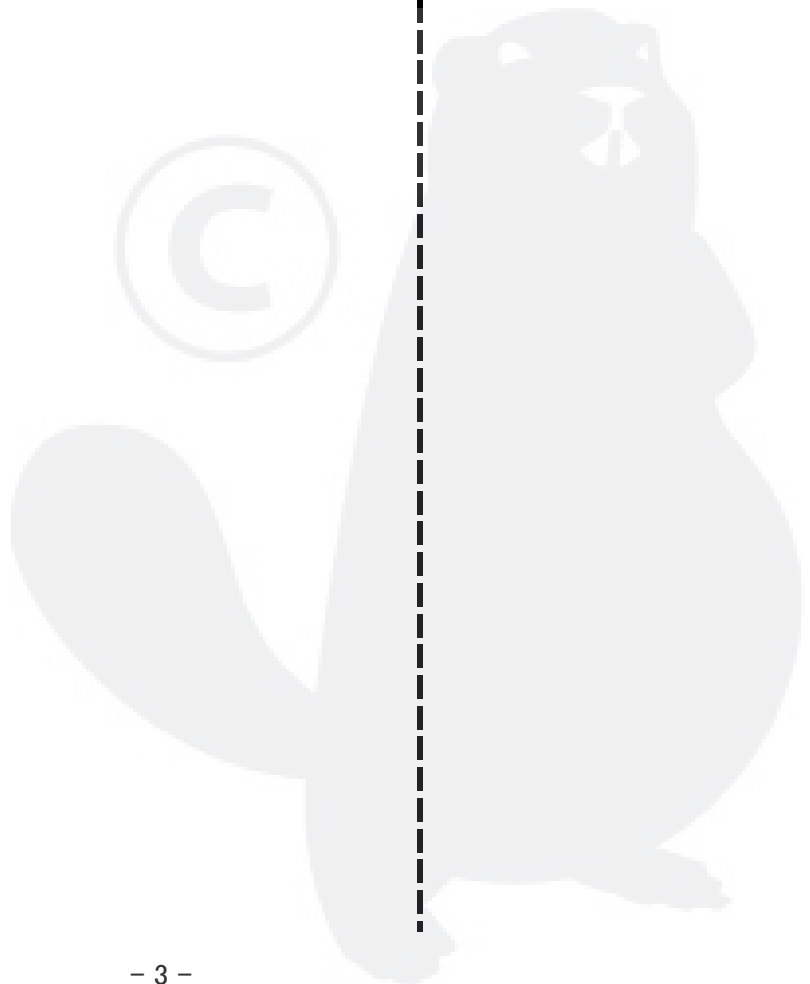
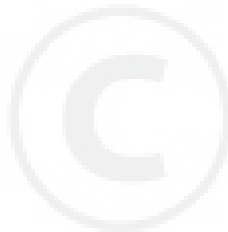
KEY	LV	PART NUMBER	Q'TY	DESCRIPTION	REMARKS
2		C051-000930	1	GEAR CASE ASSY	
4		E178-000070	1	GUARD,PIPE	
5		V640-000760	2	PIN,CLEVIS	
6		V641-000080	2	PIN,SNAP	
7		J022-000041	2	AXLE,FRONT	
8		A605-000000	2	COTTER	
9		X668-000090	4	BRUSH	
10		V490-000260	12	CLIP	
11		X476-000011	4	HUB,REEL	
12		X504-006301	2	LABEL,BRAND	



KEY	LV	PART NUMBER	Q'TY	DESCRIPTION	REMARKS
1		C050-002020	1	OUTER PIPE COMP	
2	+	C500-000690	1	OUTER PIPE	
3	+	C501-000010	2	BUSH	
4		C504-000870	1	MAIN SHAFT ASSY	
5	+	C504-000880	1	MAIN SHAFT	
6	+	V145-000210	1	GROMMET	
7		C525-000050	2	CAP,MAIN PIPE	
8		890160-25560	1	LABEL, CAUTION	
9		X605-000100	1	TOOL,L WRENCH	
10		X605-000070	1	HEXA WRENCH 6MM	

Index

Patrs Number	Key No.	Patrs Number	Key No.	Patrs Number	Key No.
890160-25560	2 - 8				
A605-000000	1 - 8				
C050-002020	2 - 1				
C051-000930	1 - 2				
C500-000690	2 - 2				
C501-000010	2 - 3				
C504-000870	2 - 4				
C504-000880	2 - 5				
C525-000050	2 - 7				
E178-000070	1 - 4				
J022-000041	1 - 7				
V145-000210	2 - 6				
V490-000260	1 - 10				
V640-000760	1 - 5				
V641-000080	1 - 6				
X476-000011	1 - 11				
X504-006301	1 - 12				
X605-000070	2 - 10				
X605-000100	2 - 9				
X668-000090	1 - 9				



YAMABIKO CORPORATION

7-2 SUEHIROCHO 1-CHOME, OHME, TOKYO 198-8760, JAPAN
PHONE: 81-428-32-6118. FAX: 81-428-32-6145.

ECHO®



38-054