

**shindaiwa<sup>®</sup>**

# **PARTS CATALOG**

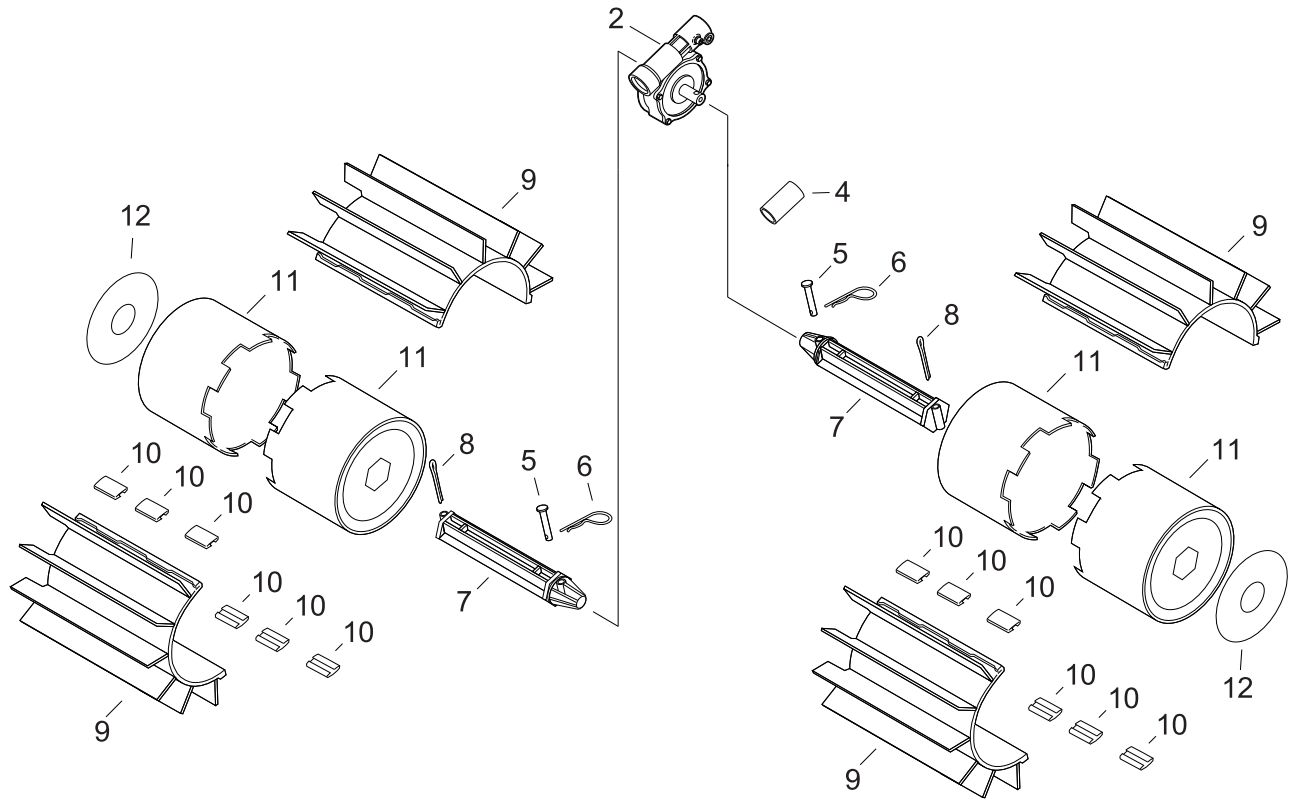
**MULTI-TOOL SYSTEM**

**SBA-PS24**



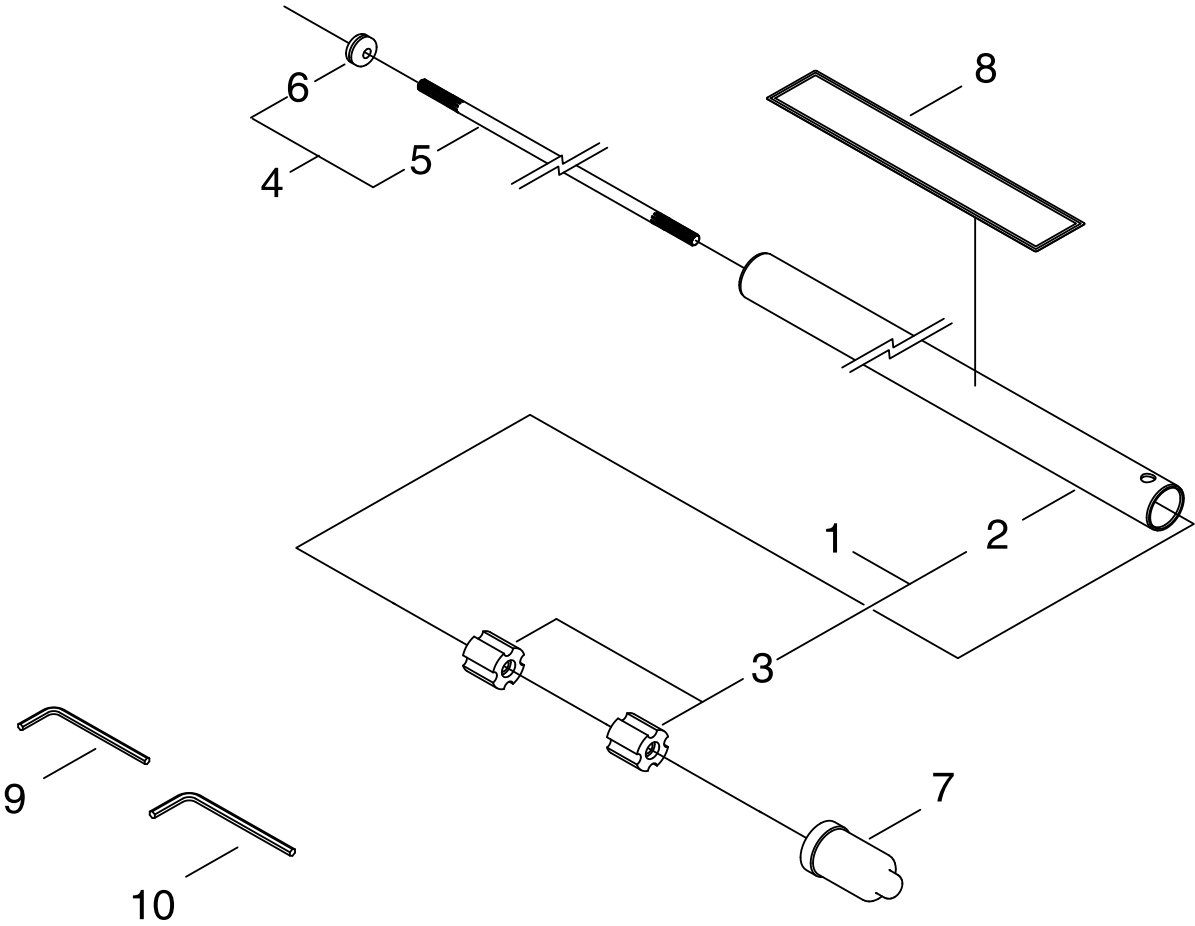
P016-000680-11Jb

1. GEAR CASE



KEY	LV	PART NUMBER	Q'TY	DESCRIPTION	REMARKS	NOTE1	NOTE2
2		C051-000930	1	GEAR CASE ASSY	SHINDAIWA 44444		
4		E178-000070	1	GUARD,PIPE	99909-33034		
5		V640-000760	2	PIN,CLEVIS	99909-33118		
6		V641-000080	2	PIN,SNAP			
7		J022-000041	2	AXLE,FRONT			
8		A605-000000	2	COTTER			
9		X668-000090	4	BRUSH			
10		V490-000260	12	CLIP	99909-33007		
11		X476-000011	4	HUB,REEL	POWERBROOM DRUM		
12		X504-006301	2	LABEL,BRAND	SHINDAIWA		

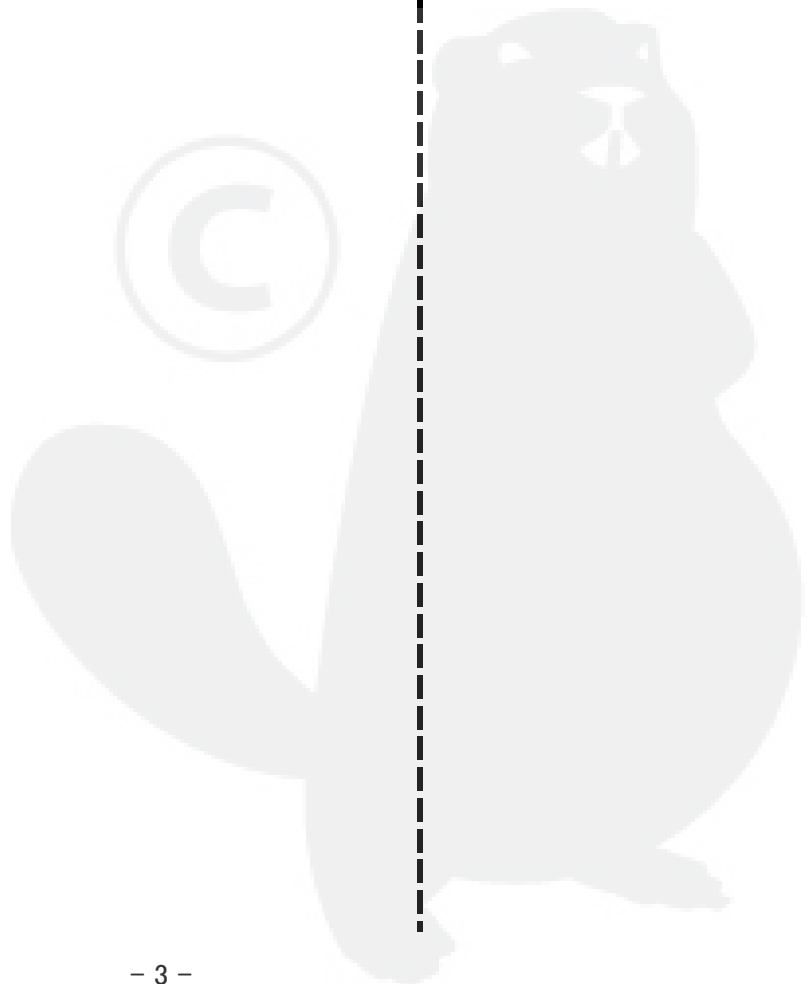
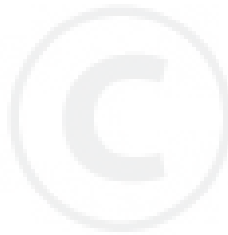
2. DRIVE SHAFT



KEY	LV	PART NUMBER	Q'TY	DESCRIPTION	REMARKS	NOTE1	NOTE2
1		C050-002020	1	OUTER PIPE COMP			
2	+	C500-000690	1	OUTER PIPE			
3	+	C501-000010	2	BUSH			
4		C504-000870	1	MAIN SHAFT ASSY			
5	+	C504-000880	1	MAIN SHAFT			
6	+	V145-000210	1	GROMMET			
7		C525-000050	2	CAP,MAIN PIPE			
8		890160-25560	1	LABEL, CAUTION			
9		X605-000100	1	TOOL,L WRENCH	4MM M5		
10		X605-000070	1	HEXA WRENCH 6MM			

# Index

Patrs Number	Key No.	Patrs Number	Key No.	Patrs Number	Key No.
890160-25560	2 - 8				
A605-000000	1 - 8				
C050-002020	2 - 1				
C051-000930	1 - 2				
C500-000690	2 - 2				
C501-000010	2 - 3				
C504-000870	2 - 4				
C504-000880	2 - 5				
C525-000050	2 - 7				
E178-000070	1 - 4				
J022-000041	1 - 7				
V145-000210	2 - 6				
V490-000260	1 - 10				
V640-000760	1 - 5				
V641-000080	1 - 6				
X476-000011	1 - 11				
X504-006301	1 - 12				
X605-000070	2 - 10				
X605-000100	2 - 9				
X668-000090	1 - 9				



# YAMABIKO CORPORATION

7-2 SUEHIROCHO 1-CHOME, OHME, TOKYO 198-8760, JAPAN  
PHONE: 81-428-32-6118. FAX: 81-428-32-6145.

**shindaiwa<sup>®</sup>**



11Jb  
No. 38-054