

**shindaiwa<sup>®</sup>**

# **PARTS CATALOG**

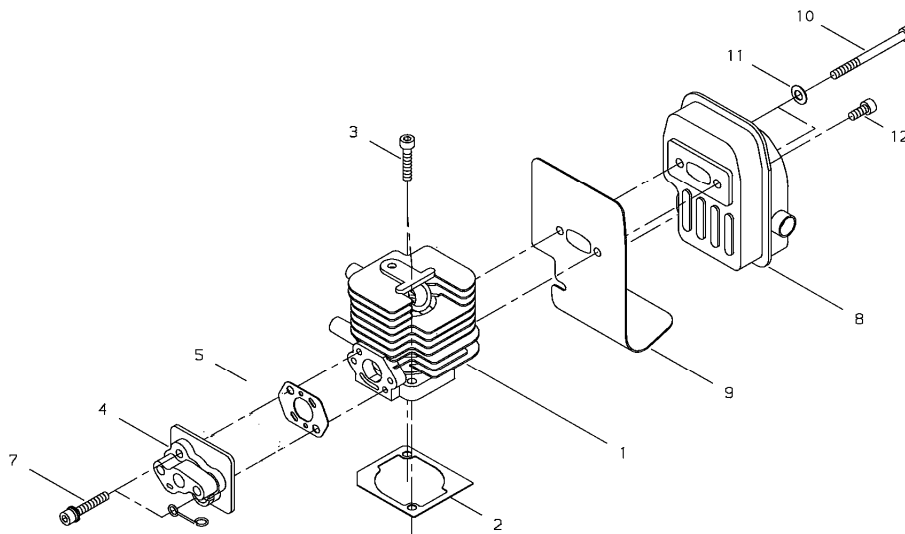
**POLE PRUNER**

**P230S EC1**



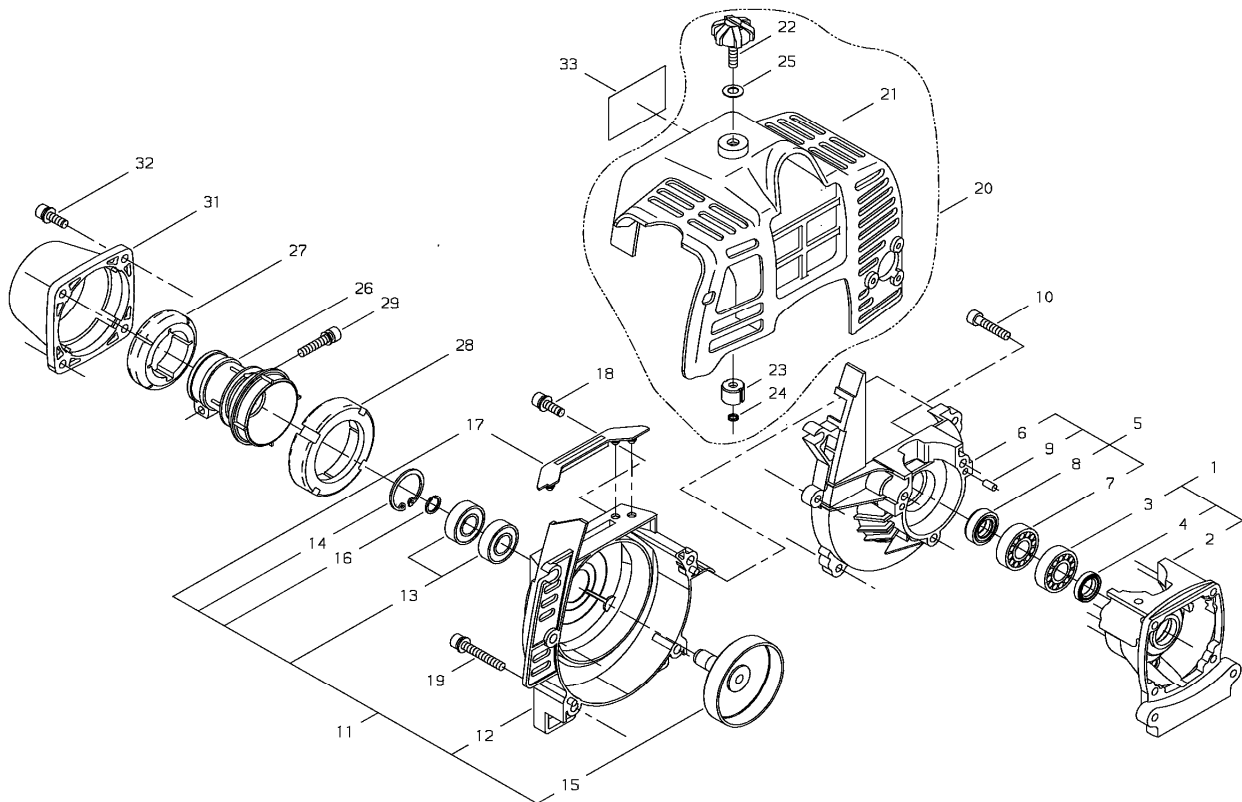
**P230S EC1**

# 1. CYLINDER, MUFFLER



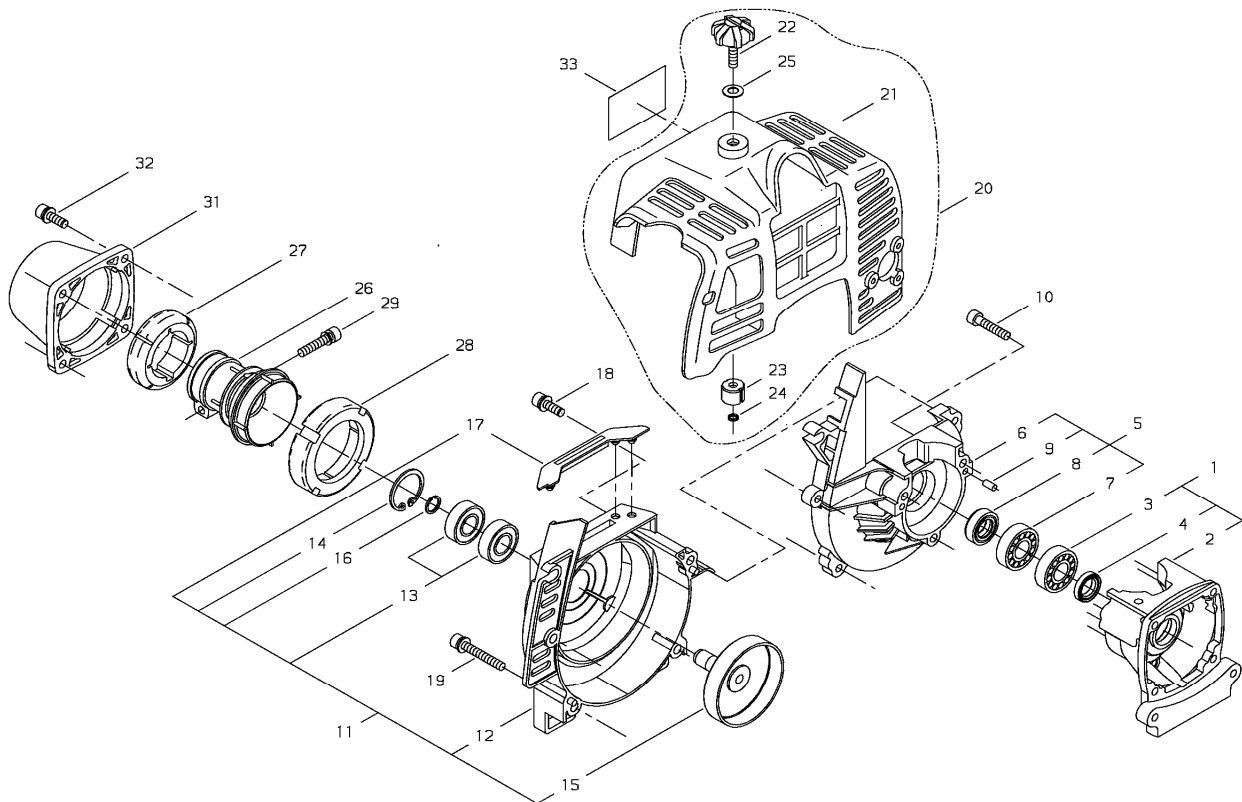
KEY	LV	PART NUMBER	Q'TY	DESCRIPTION	REMARKS	NOTE1	NOTE2
1		62809-12111	1	CYLINDER			
2		20016-12120	1	GASKET			
3		01020-05250	2	BOLT		M5*25	
4		20016-12213	1	INSULATOR			
5		20016-12222	1	GASKET			
7		11022-05300	2	BOLT SW			
8		70135-15110	1	MUFFLER			
9		20016-15123	1	GASKET			
10		01020-05500	2	BOLT		M5*50	
11		01610-05080	2	WASHER		5mm T:0.8 MFZN3-C	
12		01020-05120	1	BOLT	M5*12	M5*12	

## 2. CRANKCASE, FANCOVER



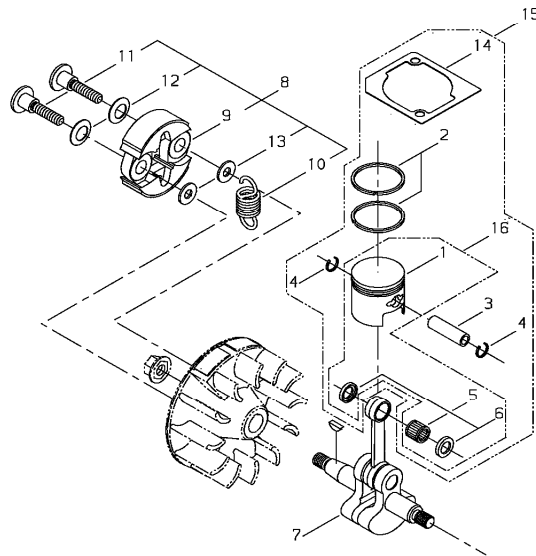
KEY	LV	PART NUMBER	Q'TY	DESCRIPTION	REMARKS	NOTE1	NOTE2
1		20016-21100	1	CRANK CASE S COMP			
2	•	20016-21111	1	CRANK CASE S			
3	•	12900-60010	1	BALL BEARING		6001	
4	•	22150-21250	1	SEAL,OIL			
5		20016-21200	1	CRANK CASE M COMP			
6	•	20016-21120	1	CRANK CASE M			
7	•	12900-60010	1	BALL BEARING		6001	
8	•	20000-21211	1	OIL SEAL			
9	•	12492-40080	2	ROLLER			
10		01020-05250	3	BOLT		M5x25	
11		62010-31011	1	FAN COVER COMP			
12	•	70140-31113	1	FAN COVER			
13	•	02002-06000	2	BALL BEARING		6000ZZ	
14	•	02432-26120	1	SNAP RING		φ26	
15	•	20087-31210	1	CLUTCH DRUM			
16	•	22000-13320	1	SNAP RING			
17	•	70140-31130	1	CUSHION			
18		11022-05160	2	BOLT SPW		M5x16	
19		11022-05450	2	BOLT SPW		M5x45	
20		62010-32010	1	CYLINDER COVER ASSY			
21	•	70140-32111	1	CYLINDER COVER			
22	•	20018-31251	1	KNOB			
23	•	20018-31260	1	INSULATOR			
24	•	20018-31270	1	CLIP			
25	•	20024-81790	1	CONE WASHER			
26		20018-31411	1	JOINT			

## 2. CRANKCASE, FANCOVER



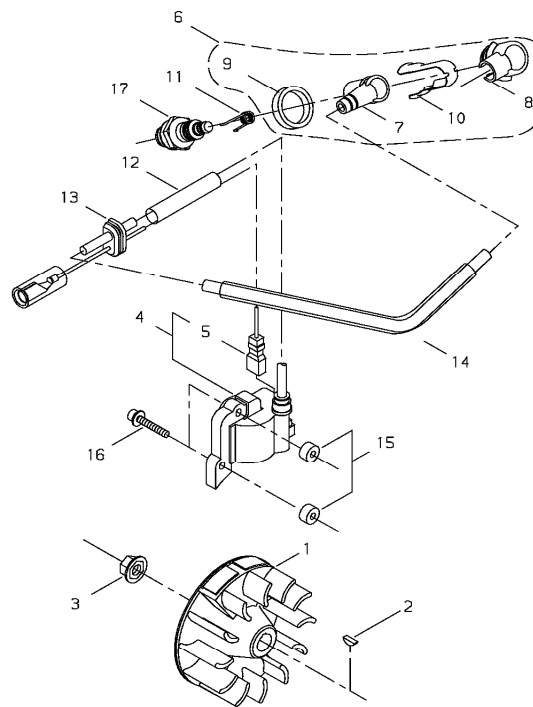
KEY	LV	PART NUMBER	Q'TY	DESCRIPTION	REMARKS	NOTE1	NOTE2
27		20018-31420	1	FRONT CUSHION			
28		20018-31430	1	REAR CUSHION			
29		11023-05250	1	BOLT SW		M5x25	
31		70135-31470	1	CAP			
32		11022-05160	4	BOLT SPW		M5x20	
33		62890-91320	1	LABELTRADE			

### 3. CRANKSHAFT, CLUTCH



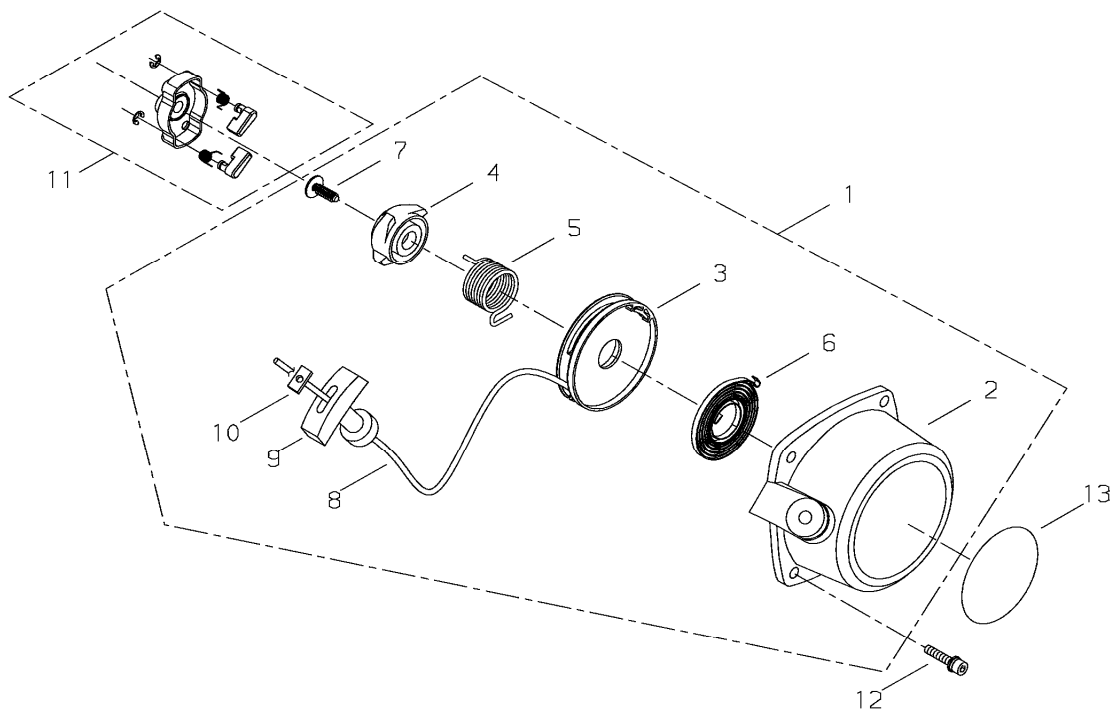
KEY	LV	PART NUMBER	Q'TY	DESCRIPTION	REMARKS	NOTE1	NOTE2
15		70234-98011	1	PISTON SET			
16	•	70234-98310	1	PISTON SET			
1	• •	20075-41111	1	PISTON			
6	• •	37013-41240	2	THRUST WASHER			
2	•	20000-41210	2	PISTON RING			
3	•	20075-41310	1	PISTON PIN			
4	•	70030-41320	2	RING,END			
5	•	37013-41230	1	NEEDLE BEARING			
14	•	20016-12120	1	GASKET			
7		20016-42002	1	CRANK SHAFT ASSY			
8		70140-51102	1	CLUTCH SHOE ASSY			
9	•	70140-51113	2	CLUTCH SHOE			
10	•	37013-51310	1	COIL SPRING			
11	•	20087-51210	2	BOLT			
12	•	20087-51231	2	SPRING PLATE			
13	•	22100-71430	2	WASHER			

# 4. MAGNETO



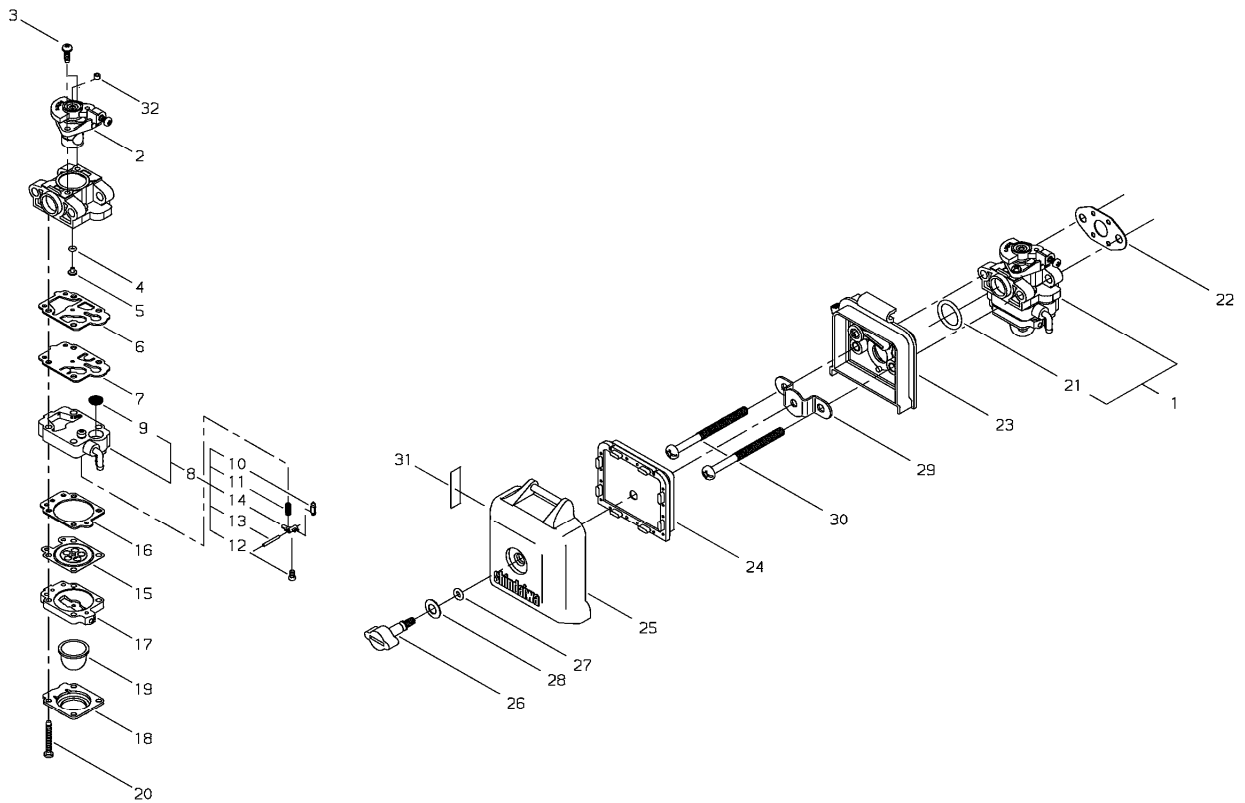
KEY	LV	PART NUMBER	Q'TY	DESCRIPTION	REMARKS	NOTE1	NOTE2
1		20016-71200	1	ROTOR			
2		02403-03100	1	KEY	3*10		
3		20035-71220	1	NUT			
4		20016-71601	1	COIL ASSY			
5		20016-71641	1	CORD			
6		70223-72200	1	PLUG CAP COMP			
7		20010-72221	1	PLUG CAP			
8		20000-72241	1	PLUG CAP COVER			
9		20000-72250	1	COVER BAND			
10		70180-72260	1	SHIELD			
11		20000-72230	1	SPRING SPARK PLUG			
12		20016-71651	1	TUBE		L50	
13		20010-72110	1	GROMMET			
14		20016-71660	1	TUBE		L125	
15		70030-71620	2	INSULATOR			
16		11024-04261	2	BOLT		M4x26	
17		13000-13406	1	SPARK PLUG BMR6A		BMR6A	

## 5. RECOIL STARTER



KEY	LV	PART NUMBER	Q'TY	DESCRIPTION	REMARKS	NOTE1	NOTE2
1		37076-75010	1	RECOIL STARTER ASSY			
2	•	37076-75110	1	STARTER CASE			
3	•	37076-75120	1	REEL			
4	•	37076-75310	1	CAM			
5	•	37076-75320	1	COIL SPRING			
6	•	70030-75130	1	RECOIL SPRING			
7	•	37013-75310	1	SCREW			
8	•	37076-75140	1	ROPE			
9	•	20010-75190	1	STARTER KNOB			
10	•	20010-75210	1	STOPPER			
11		62110-75020	1	STARTER PULLEY ASSY			
12		11060-04122	4	BOLT ADHESIVE		M4x12	
13		70117-75311	1	NAME PLATE			

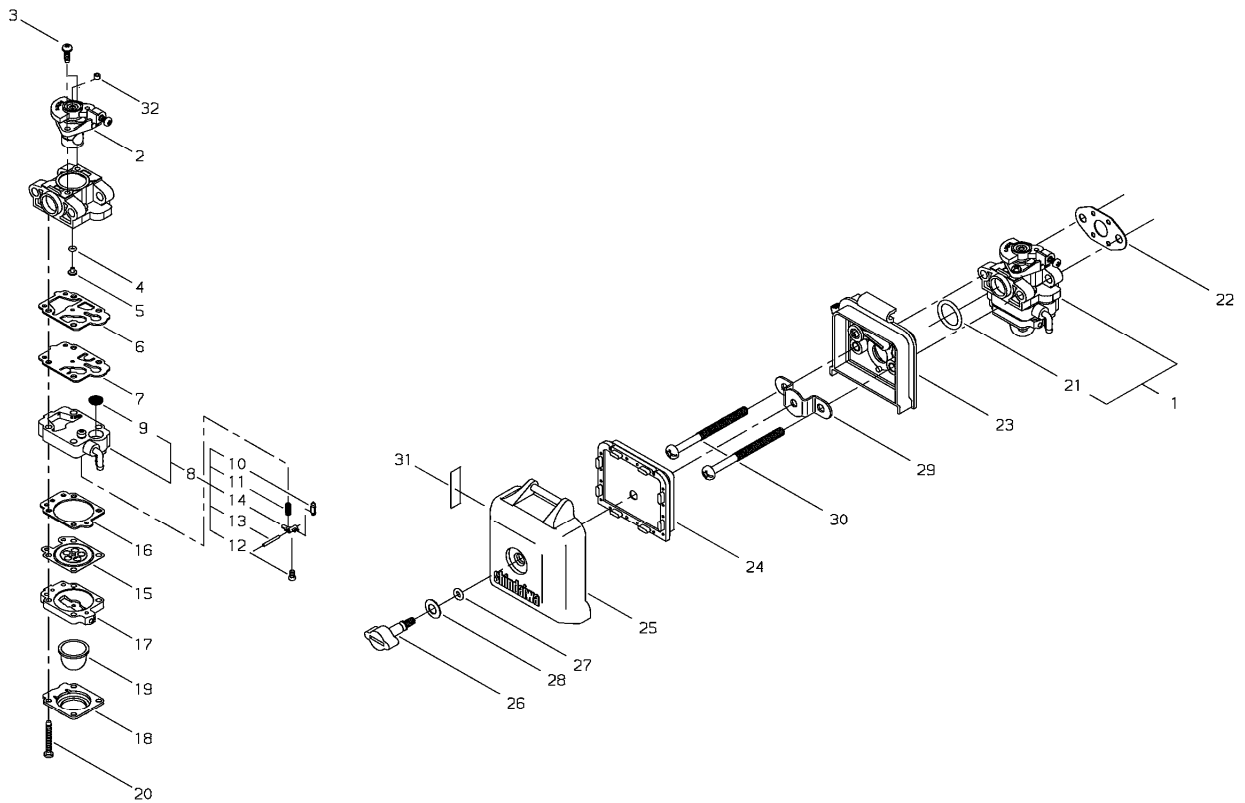
## 6. CARBURETOR, AIR CLEANER



KEY	LV	PART NUMBER	Q'TY	DESCRIPTION	REMARKS	NOTE1	NOTE2
1		62064-81011	1	CARBURETOR ASSY			
2	▪	20016-81180	1	VALVE ASSY			
32	▪ ▪	62074-81320	1	PLAG			
3	▪	70064-81290	2	SCREW	M3*10		
4	▪	70097-81220	1	O-RING			
5	▪	62064-81310	1	MAIN JET			
6	▪	70097-81310	1	GASKET,PUMP			
7	▪	70097-81320	1	DIAPHRAGM			
8	▪	20016-81410	1	PUMP BODY COMP			
9	▪	70030-81380	1	SCREEN			
10	▪ ▪	20036-81440	1	VALVE			
11	▪ ▪	20016-81270	1	SPRING			
12	▪ ▪	20016-81450	1	SCREW			
13	▪ ▪	22100-81250	1	PIN			
14	▪ ▪	22100-81230	1	LEVER, METERING			
15	▪	37013-81310	1	DIAPHRAGM			
16	▪	20016-81280	1	GASKET			
17	▪	20016-81420	1	PUMP BASE COMP			
18	▪	20016-81510	1	PUMP COVER			
19	▪	20036-81670	1	PRIMER PUMP			
20	▪	20016-81140	4	SCREW			
21	▪	20016-81250	1	O RING			
22		20016-81530	1	GASKET			
23		70140-81710	1	CLEANER BODY COMP			
24		60023-98031	1	FILTER			
25		70140-81760	1	CLEANER COVER			

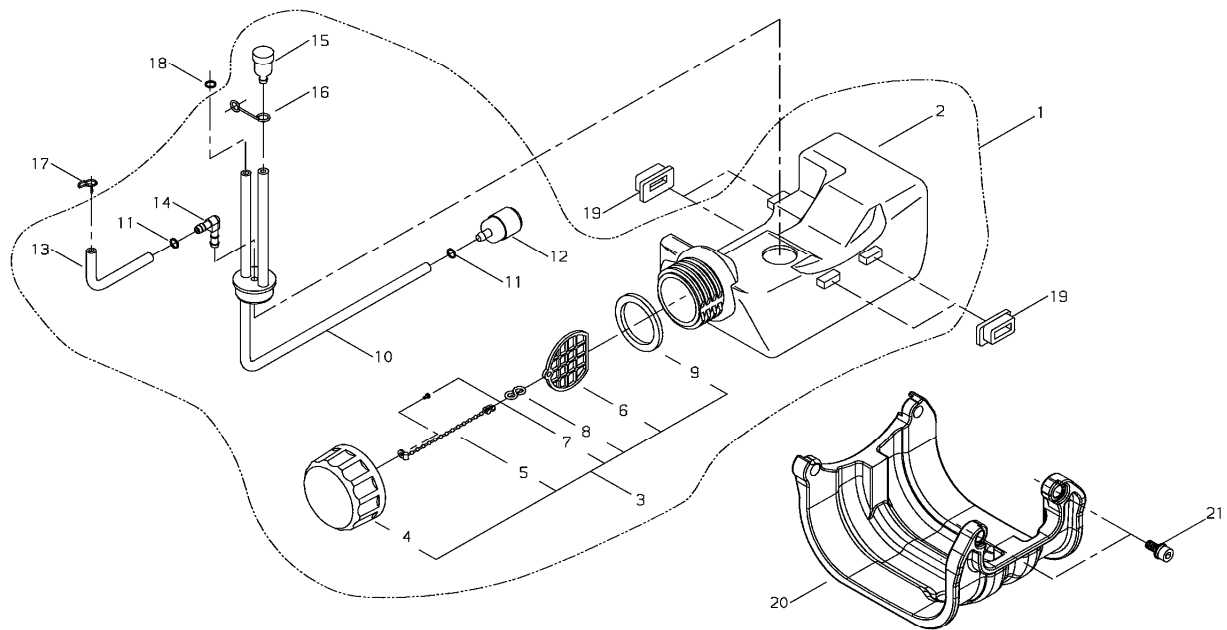


## 6. CARBURETOR, AIR CLEANER



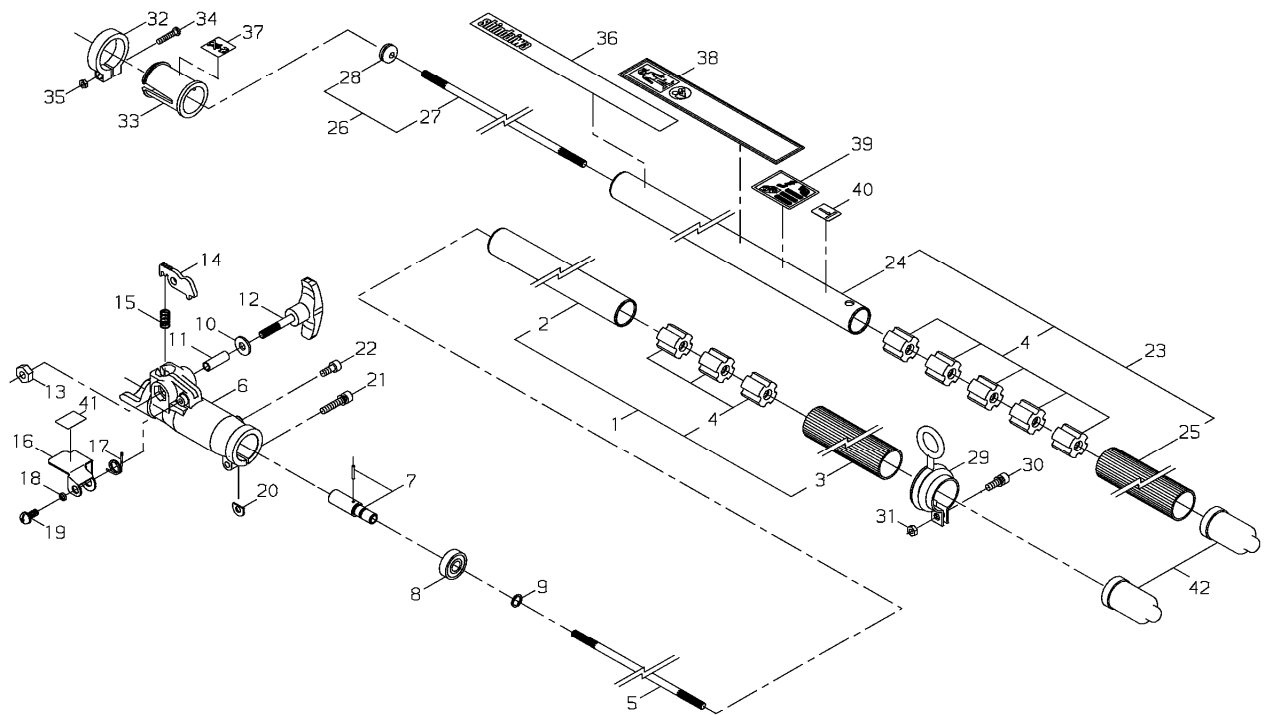
KEY	LV	PART NUMBER	Q'TY	DESCRIPTION	REMARKS	NOTE1	NOTE2
26		20115-81780	1	KNOB CLEANER COVER			
27		22100-82430	1	O RING			
28		20024-81790	1	CONE WASHER			
29		20018-81721	1	BACK PLATE			
30		11203-05608	2	SCREW PM SW		M5x60	
31		19404-00008	1	LABEL CHOKE			

# 7. FUEL TANK



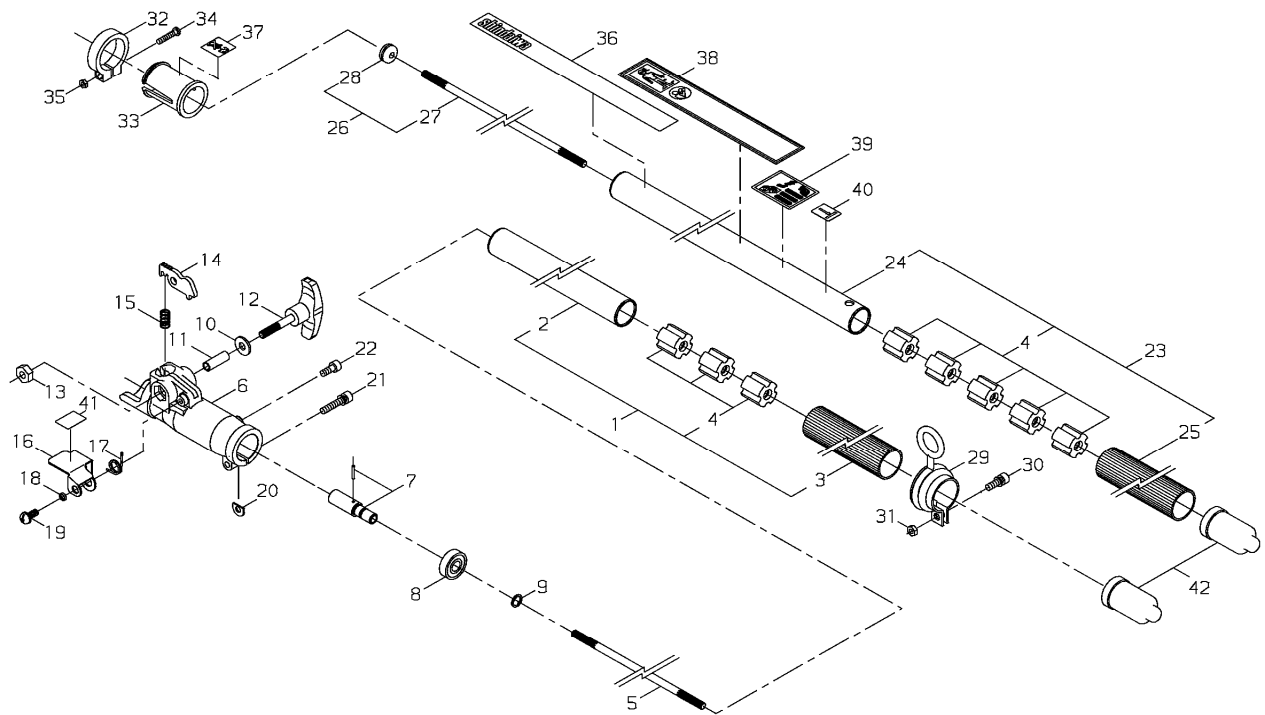
KEY	LV	PART NUMBER	Q'TY	DESCRIPTION	REMARKS	NOTE1	NOTE2
1		70192-85001	1	FUEL TANK ASSY			
2	▪	20016-85112	1	FUEL TANK			
3	▪	70168-85201	1	FUEL CAP ASSY			
4	▪▪	70168-85210	1	FUEL CAP			
5	▪▪	22128-57250	1	CHAIN CAP			
6	▪▪	22155-21330	1	HOOK			
7	▪▪	01270-25064	1	SCREW TAPPING			
8	▪▪	22150-21350	1	CLIP			
9	▪▪	20000-85221	1	GASKET			
10	▪	20016-85310	1	FUEL PIPE			
11	▪	20020-85540	2	CLIP			
12	▪	20016-85400	1	FUEL FILTER			
13	▪	20089-83311	1	PIPE			
14	▪	20087-85340	1	JOINT,PIPE			
15	▪	20035-85522	1	VALVE			
16	▪	20016-12310	1	VALVE HOLDER			
17		37013-85310	1	CLIP			
18		20020-85540	1	CLIP			
19		20024-86120	4	TANK CUSHION			
20		62902-85320	1	TANK GUARD			
21		11022-05160	2	BOLT SPW		M5x16	

## 8. OUTER PIPE



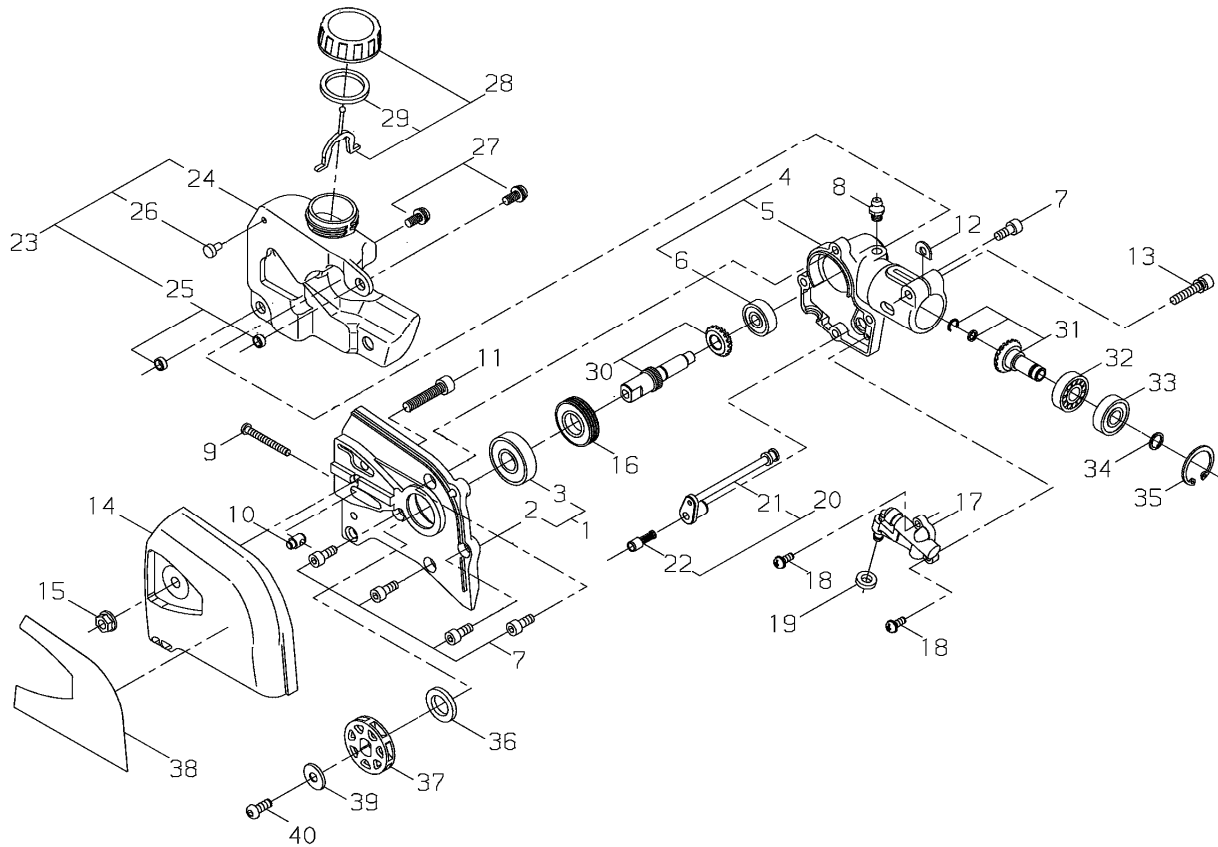
KEY	LV	PART NUMBER	Q'TY	DESCRIPTION	REMARKS	NOTE1	NOTE2
1		63889-64310	1	OUTER PIPE COMP			
2	▪	63880-64320	1	OUTER PIPE			
3	▪	63880-64330	1	GRIP			
4	▪	22035-12121	8	BUSH			
5		63880-64340	1	MAIN SHAFT			
6		37000-62220	1	JOINT CASE			
7		63880-64360	1	JOINT SHAFT			
8		02002-00609	1	BEARING		609ZZ	
9		22420-13350	1	SNAP RING			
10		72030-14130	1	WASHER			
11		17901-06220	1	COLLAR		φ6xL22	
12		63880-64380	1	KNOB			
13		63880-64410	1	NUT			
14		37000-62310	1	LOCK LEVER			
15		17500-06001	1	COIL SPRING			
16		37000-62340	1	COVER			
17		17520-12400	1	COIL SPRING			
18		15401-00004	1	COLLAR		φ6.4xφ5.2xL1.5	
19		11207-05120	1	SCREW PM SLPW		M5*12(SW,PW)	
20		22000-13420	1	SHIM			
21		11023-05250	1	BOLT SW		M5*25	
22		01020-05120	1	BOLT	M5*12	M5*12	
23		63880-64431	1	OUTER PIPE COMP			
24	▪	63880-64441	1	OUTER PIPE			
25	▪	63880-64450	1	GRIP			

# 8. OUTER PIPE



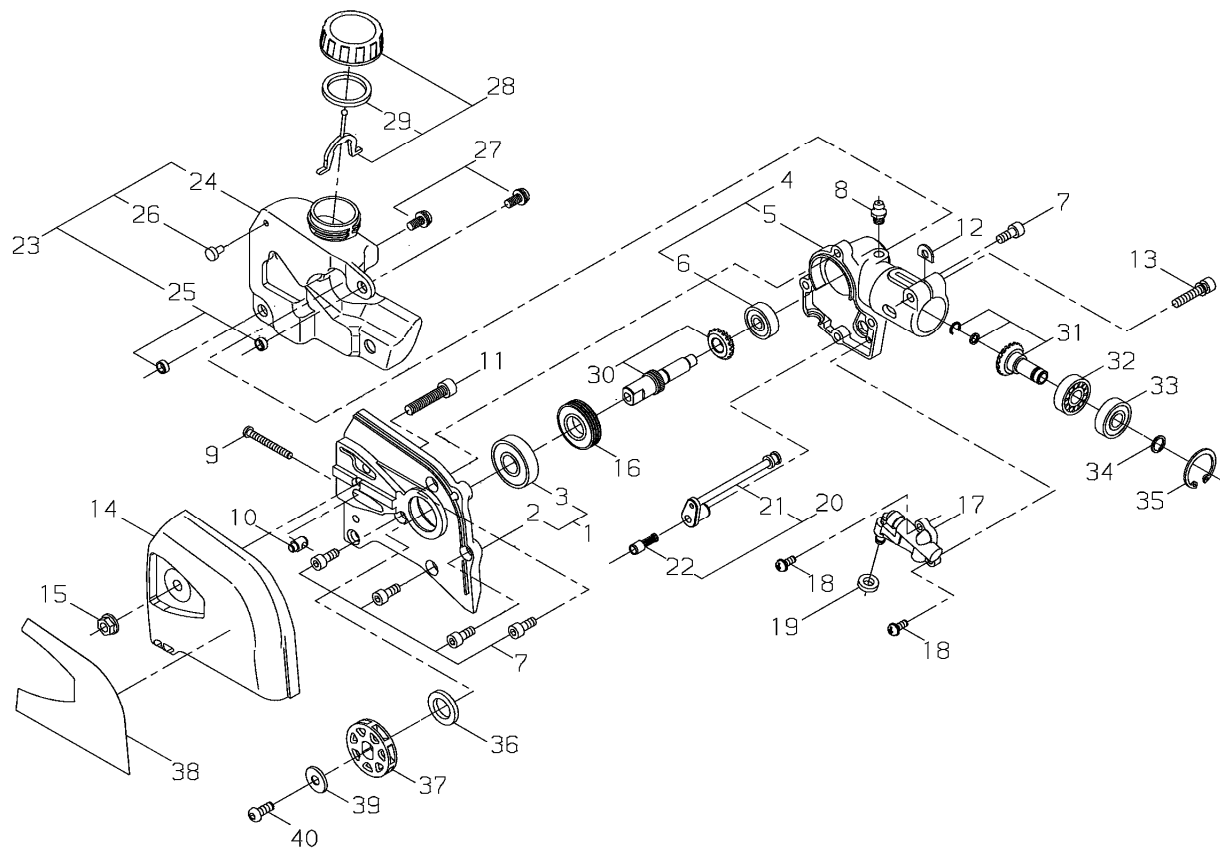
KEY	LV	PART NUMBER	Q'TY	DESCRIPTION	REMARKS	NOTE1	NOTE2
26		63880-64460	1	MAIN SHAFT ASSY			
27	▪	63880-64470	1	MAIN SHAFT			
28	▪	15250-10100	1	GROMMET			
29		22017-12210	1	HANGER			
30		11022-05120	1	BOLT SPW		M5x12	
31		01500-05041	1	NUT	M5	M5 MFZN3-C	
32		33008-62311	1	CLAMP			
33		33008-62321	1	COLLAR			
34		11203-04160	1	SCREW PM		M4*16	
35		01500-04031	1	NUT		M4 MFZN3-C	
36		19420-00084	1	LABEL TRADE		shindaiwa,PROFES SIONAL	
37		19402-00175	1	LABEL CAUTION			
38		19402-00225	1	LABEL CAUTION			
39		19404-00036	1	LABEL DECIBEL		111dB(A)	
40		19401-00169	1	LABEL INST			
41		19401-00168	1	LABEL INST			
42		20891-98180	2	LINER CAP			

# 9. GEAR CASE



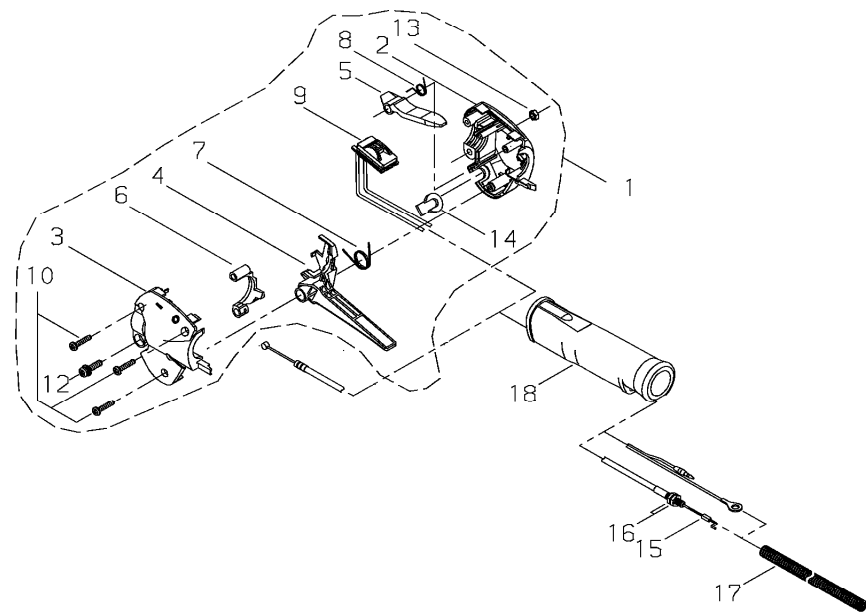
KEY	LV	PART NUMBER	Q'TY	DESCRIPTION	REMARKS	NOTE1	NOTE2
1		63880-61312	1	GEAR CASE LEFT COMP			
2	▪	63880-61322	1	GEAR CASE LEFT			
3	▪	02006-06001	1	BEARING	6001DDU	6001DDU	
4		63880-61332	1	GEAR CASE RIGHT COMP			
5	▪	63880-61342	1	GEAR CASE RIGHT			
6	▪	02002-00627	1	BEARING		627ZZ	
7		01020-05120	5	BOLT	M5*12	M5X12	
8		20870-61640	1	GREASE NIPPLE			
9		11260-04351	1	SCREW ADHESIVE		M4X35	
10		17110-04000	1	SLIDE PIECE			
11		01020-06300	1	BOLT		M6X30	
12		22000-13420	1	SHIM			
13		11023-05250	1	BOLT SW		M5X25	
14		63880-61350	1	BAR HOLDER			
15		11526-06100	1	NUT FLANGE		M6	
16		63880-62310	1	WORM GEAR			
17		22197-55201	1	OIL PUMP ASSY			
18		11205-04100	2	SCREW PM PW		M4X10	
19		63880-62320	1	GASKET PUMP			
20		63880-62330	1	OIL PIPE ASSY			
21	▪	63880-62340	1	OIL PIPE			
22	▪	63880-62350	1	FILTER			
23		63880-62361	1	OIL TANK ASSY			
24	▪	63880-62381	1	OIL TANK			
25	▪	17901-06030	2	COLLAR			
26		22115-57120	1	VALVE OIL TANK			

## 9. GEAR CASE



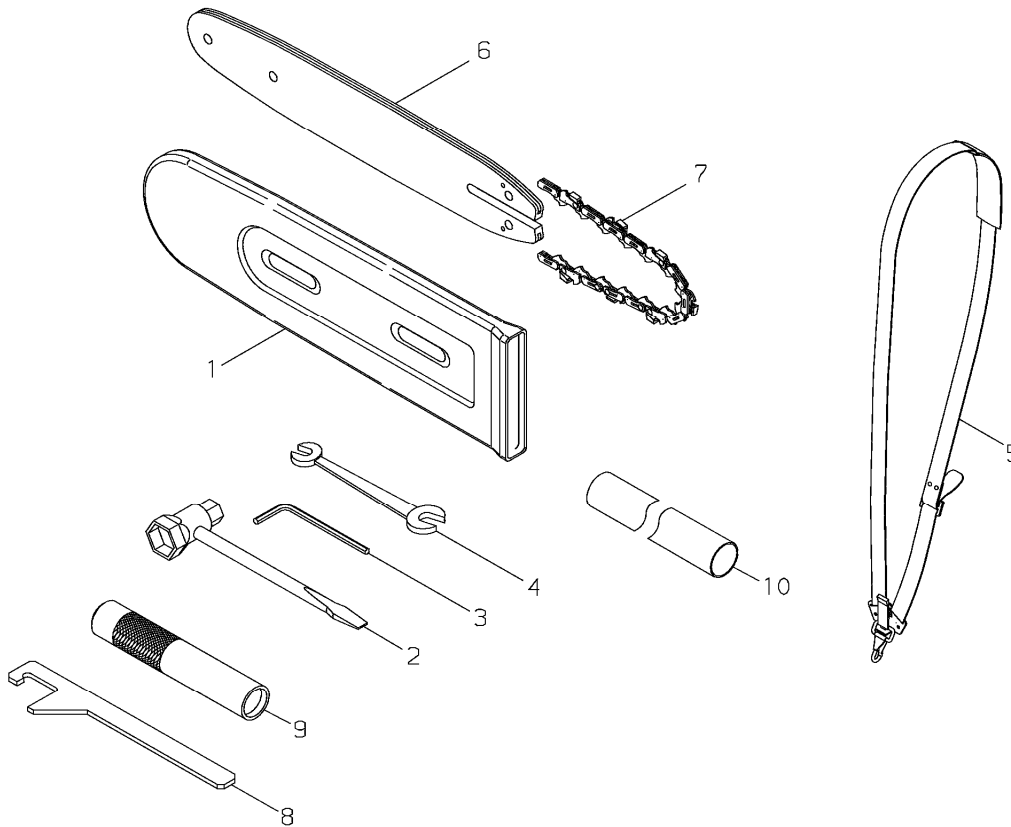
KEY	LV	PART NUMBER	Q'TY	DESCRIPTION	REMARKS	NOTE1	NOTE2
27		11207-05120	2	SCREW PM SLPW		M5X12 (φ12)	
28		63880-62391	1	OIL CAP ASSY			
29		70030-85221	1	GASKET CAP			
30		63880-63011	1	GEAR SHAFT			
31		63880-63020	1	BEVEL PINION			
32		02000-00609	1	BEARING		609	
33		02002-00609	1	BEARING		609ZZ	
34		22420-13350	1	SNAP RING			
35		02432-24120	1	SNAP RING			
36		15401-21020	1	COLLAR			
37		12032-07102	1	SPROCKET			
38		19402-00180	1	LABEL CAUTION			
39		20870-62131	1	WASHER			
40		11210-06140	1	SCREW BUTTON		M6X14	

## 10. THROTTLE LEVER



KEY	LV	PART NUMBER	Q'TY	DESCRIPTION	REMARKS	NOTE1	NOTE2
1		63076-62021	1	THROTTLE LEVER ASSY			
2		63002-62320	1	BODY RIGHT			
3		63002-62330	1	BODY LEFT			
4		63002-62340	1	LEVER			
5		63901-62352	1	LOCK LEVER			
6		63002-62350	1	HOLDER			
7		63880-65350	1	COIL SPRING			
8		63901-62370	1	COIL SPRING			
9		63076-62310	1	SWITCH			
10		63880-65360	3	SCREW TAPPING			
12		11206-05201	1	SCREW PM SPW		M5*20	
13		01501-05030	1	NUT	M5	25305322100A	
14		63880-65411	1	PLUG			
15		63023-62170	1	THROTTLE CABLE			
16		01501-06041	2	NUT	M6	M6 MFZN3-C	
17		22422-14540	1	TUBE			
18		63901-62142	1	GRIP			

11. OPTION



KEY	LV	PART NUMBER	Q'TY	DESCRIPTION	REMARKS	NOTE1	NOTE2
1		19600-24300	1	CHAIN COVER			
2		22102-91410	1	PLUG WRENCH		10x19mm	
3		09026-04001	1	HEXA WRENCH	4MM M5㉿	4mm	
4		22000-91120	1	SPANNER		8*10	
5		22421-17202	1	STRAP ASSY			
6		18130-00800	1	GUIDE BAR		90SG 8"	
6		18130-01000	1	GUIDE BAR		90SG 10"	
6		18130-01200	1	GUIDE BAR		90SG 12"	
7		18201-00330	1	SAW CHAIN 90SG-33E		90SG-33E 8"	
7		18201-00390	1	SAW CHAIN 90SG-39E		90SG-39E 10"	
7		18201-00440	1	SAW CHAIN 90SG-44E		90SG-44E 12"	
8		60880-98030	1	HOOK SPANNER			
9		22420-96311	1	ROD			
10		60880-98050	1	COLLAR			



**Index**

<b>Patrs Number</b>	<b>Key No.</b>	<b>Patrs Number</b>	<b>Key No.</b>	<b>Patrs Number</b>	<b>Key No.</b>
01020-05120	1 - 12	15401-00004	8 - 18	20016-81180	6 - 2
01020-05120	8 - 22	15401-21020	9 - 36	20016-81250	6 - 21
01020-05120	9 - 7	17110-04000	9 - 10	20016-81270	6 - 11
01020-05250	1 - 3	17500-06001	8 - 15	20016-81280	6 - 16
01020-05250	2 - 10	17520-12400	8 - 17	20016-81410	6 - 8
01020-05500	1 - 10	17901-06030	9 - 25	20016-81420	6 - 17
01020-06300	9 - 11	17901-06220	8 - 11	20016-81450	6 - 12
01270-25064	7 - 7	18130-00800	11 - 6	20016-81510	6 - 18
01500-04031	8 - 35	18130-01000	11 - 6	20016-81530	6 - 22
01500-05041	8 - 31	18130-01200	11 - 6	20016-85112	7 - 2
01501-05030	10 - 13	18201-00330	11 - 7	20016-85310	7 - 10
01501-06041	10 - 16	18201-00390	11 - 7	20016-85400	7 - 12
01610-05080	1 - 11	18201-00440	11 - 7	20018-31251	2 - 22
02000-00609	9 - 32	19401-00168	8 - 41	20018-31260	2 - 23
02002-00609	8 - 8	19401-00169	8 - 40	20018-31270	2 - 24
02002-00609	9 - 33	19402-00175	8 - 37	20018-31411	2 - 26
02002-00627	9 - 6	19402-00180	9 - 38	20018-31420	2 - 27
02002-06000	2 - 13	19402-00225	8 - 38	20018-31430	2 - 28
02006-06001	9 - 3	19404-00008	6 - 31	20018-81721	6 - 29
02403-03100	4 - 2	19404-00036	8 - 39	20020-85540	7 - 11
02432-24120	9 - 35	19420-00084	8 - 36	20020-85540	7 - 18
02432-26120	2 - 14	19600-24300	11 - 1	20024-81790	2 - 25
09026-04001	11 - 3	20000-21211	2 - 8	20024-81790	6 - 28
11022-05120	8 - 30	20000-41210	3 - 2	20024-86120	7 - 19
11022-05160	2 - 18	20000-72230	4 - 11	20035-71220	4 - 3
11022-05160	2 - 32	20000-72241	4 - 8	20035-85522	7 - 15
11022-05160	7 - 21	20000-72250	4 - 9	20036-81440	6 - 10
11022-05300	1 - 7	20000-85221	7 - 9	20036-81670	6 - 19
11022-05450	2 - 19	20010-72110	4 - 13	20075-41111	3 - 1
11023-05250	2 - 29	20010-72221	4 - 7	20075-41310	3 - 3
11023-05250	8 - 21	20010-75190	5 - 9	20087-31210	2 - 15
11023-05250	9 - 13	20010-75210	5 - 10	20087-51210	3 - 11
11024-04261	4 - 16	20016-12120	1 - 2	20087-51231	3 - 12
11060-04122	5 - 12	20016-12120	3 - 14	20087-85340	7 - 14
11203-04160	8 - 34	20016-12213	1 - 4	20089-83311	7 - 13
11203-05608	6 - 30	20016-12222	1 - 5	20115-81780	6 - 26
11205-04100	9 - 18	20016-12310	7 - 16	20870-61640	9 - 8
11206-05201	10 - 12	20016-15123	1 - 9	20870-62131	9 - 39
11207-05120	8 - 19	20016-21100	2 - 1	20891-98180	8 - 42
11207-05120	9 - 27	20016-21111	2 - 2	22000-13320	2 - 16
11210-06140	9 - 40	20016-21120	2 - 6	22000-13420	8 - 20
11260-04351	9 - 9	20016-21200	2 - 5	22000-13420	9 - 12
11526-06100	9 - 15	20016-42002	3 - 7	22000-91120	11 - 4
12032-07102	9 - 37	20016-71200	4 - 1	22017-12210	8 - 29
12492-40080	2 - 9	20016-71601	4 - 4	22035-12121	8 - 4
12900-60010	2 - 3	20016-71641	4 - 5	22100-71430	3 - 13
12900-60010	2 - 7	20016-71651	4 - 12	22100-81230	6 - 14
13000-13406	4 - 17	20016-71660	4 - 14	22100-81250	6 - 13
15250-10100	8 - 28	20016-81140	6 - 20	22100-82430	6 - 27

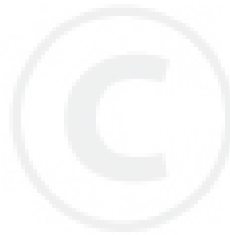
**Index**

<b>Patrs Number</b>	<b>Key No.</b>	<b>Patrs Number</b>	<b>Key No.</b>	<b>Patrs Number</b>	<b>Key No.</b>
22102-91410	11 - 2	63880-61322	9 - 2	70140-81710	6 - 23
22115-57120	9 - 26	63880-61332	9 - 4	70140-81760	6 - 25
22128-57250	7 - 5	63880-61342	9 - 5	70168-85201	7 - 3
22150-21250	2 - 4	63880-61350	9 - 14	70168-85210	7 - 4
22150-21350	7 - 8	63880-62310	9 - 16	70180-72260	4 - 10
22155-21330	7 - 6	63880-62320	9 - 19	70192-85001	7 - 1
22197-55201	9 - 17	63880-62330	9 - 20	70223-72200	4 - 6
22420-13350	8 - 9	63880-62340	9 - 21	70234-98011	3 - 15
22420-13350	9 - 34	63880-62350	9 - 22	70234-98310	3 - 16
22420-96311	11 - 9	63880-62361	9 - 23	72030-14130	8 - 10
22421-17202	11 - 5	63880-62381	9 - 24		
22422-14540	10 - 17	63880-62391	9 - 28		
33008-62311	8 - 32	63880-63011	9 - 30		
33008-62321	8 - 33	63880-63020	9 - 31		
37000-62220	8 - 6	63880-64320	8 - 2		
37000-62310	8 - 14	63880-64330	8 - 3		
37000-62340	8 - 16	63880-64340	8 - 5		
37013-41230	3 - 5	63880-64360	8 - 7		
37013-41240	3 - 6	63880-64380	8 - 12		
37013-51310	3 - 10	63880-64410	8 - 13		
37013-75310	5 - 7	63880-64431	8 - 23		
37013-81310	6 - 15	63880-64441	8 - 24		
37013-85310	7 - 17	63880-64450	8 - 25		
37076-75010	5 - 1	63880-64460	8 - 26		
37076-75110	5 - 2	63880-64470	8 - 27		
37076-75120	5 - 3	63880-65350	10 - 7		
37076-75140	5 - 8	63880-65360	10 - 10		
37076-75310	5 - 4	63880-65411	10 - 14		
37076-75320	5 - 5	63889-64310	8 - 1		
60023-98031	6 - 24	63901-62142	10 - 18		
60880-98030	11 - 8	63901-62352	10 - 5		
60880-98050	11 - 10	63901-62370	10 - 8		
62010-31011	2 - 11	70030-41320	3 - 4		
62010-32010	2 - 20	70030-71620	4 - 15		
62064-81011	6 - 1	70030-75130	5 - 6		
62064-81310	6 - 5	70030-81380	6 - 9		
62074-81320	6 - 32	70030-85221	9 - 29		
62110-75020	5 - 11	70064-81290	6 - 3		
62809-12111	1 - 1	70097-81220	6 - 4		
62890-91320	2 - 33	70097-81310	6 - 6		
62902-85320	7 - 20	70097-81320	6 - 7		
63002-62320	10 - 2	70117-75311	5 - 13		
63002-62330	10 - 3	70135-15110	1 - 8		
63002-62340	10 - 4	70135-31470	2 - 31		
63002-62350	10 - 6	70140-31113	2 - 12		
63023-62170	10 - 15	70140-31130	2 - 17		
63076-62021	10 - 1	70140-32111	2 - 21		
63076-62310	10 - 9	70140-51102	3 - 8		
63880-61312	9 - 1	70140-51113	3 - 9		

# YAMABIKO CORPORATION

7-2 SUEHIROCHO 1-CHOME, OHME, TOKYO 198-8760, JAPAN  
PHONE: 81-428-32-6118. FAX: 81-428-32-6145.

**shindaiwa<sup>®</sup>**



EC1  
No.