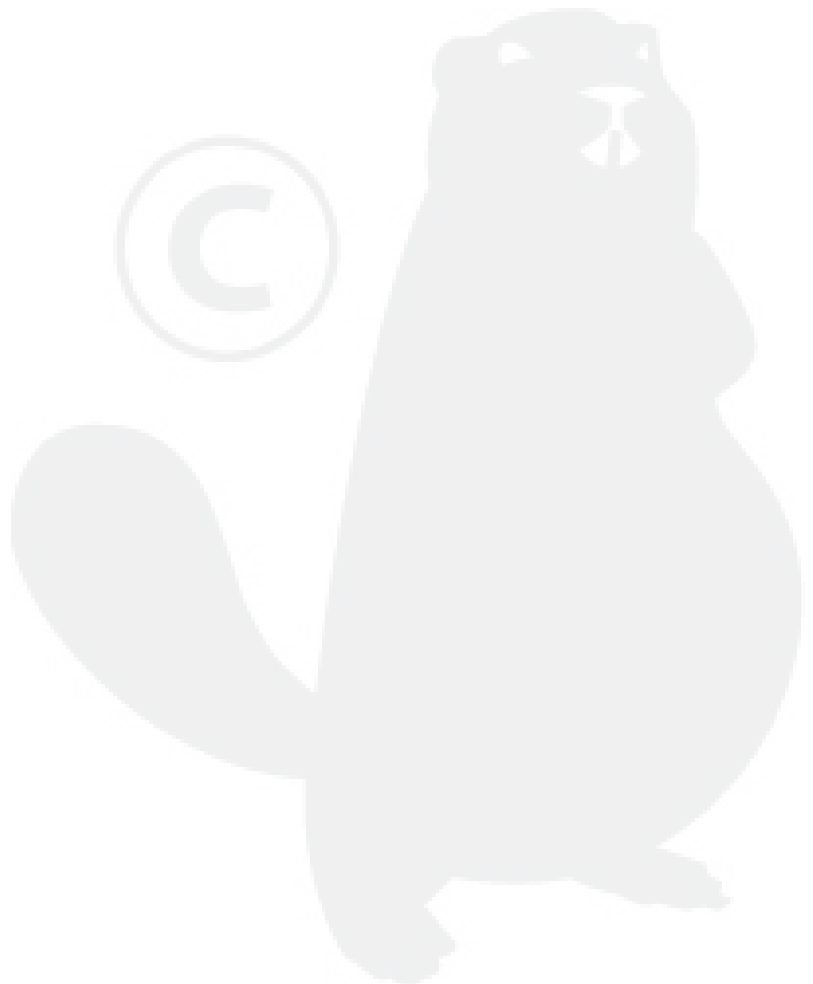
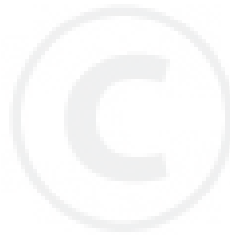
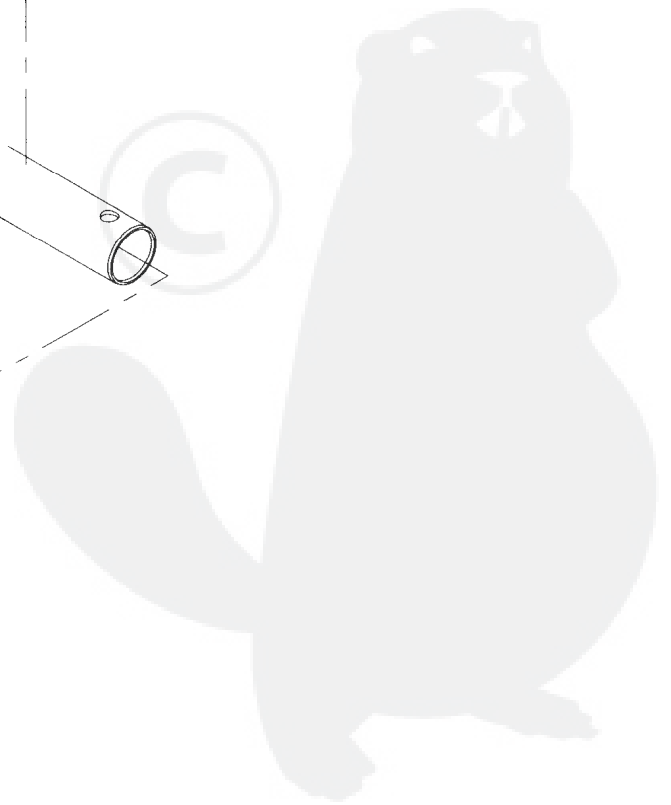
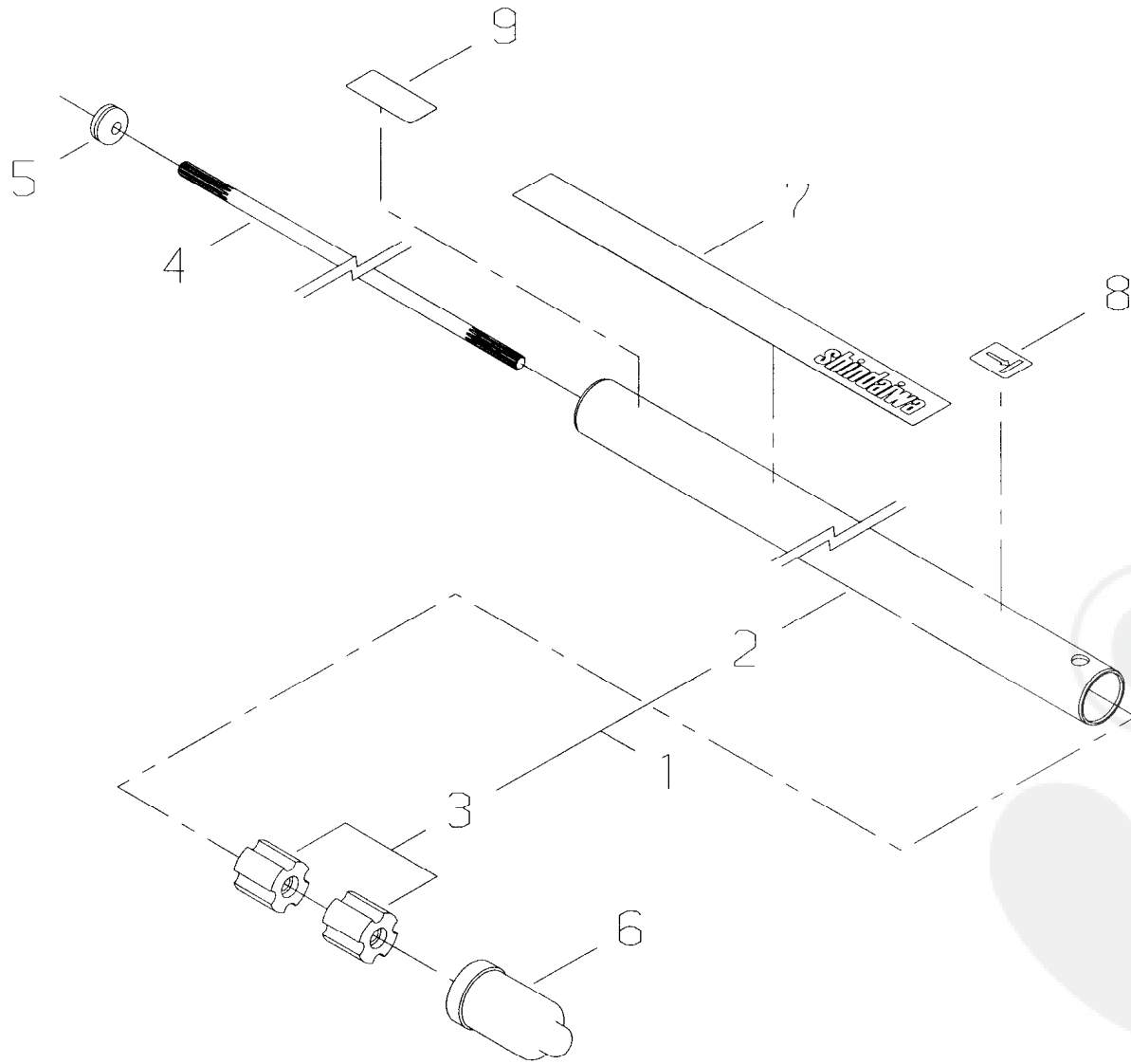


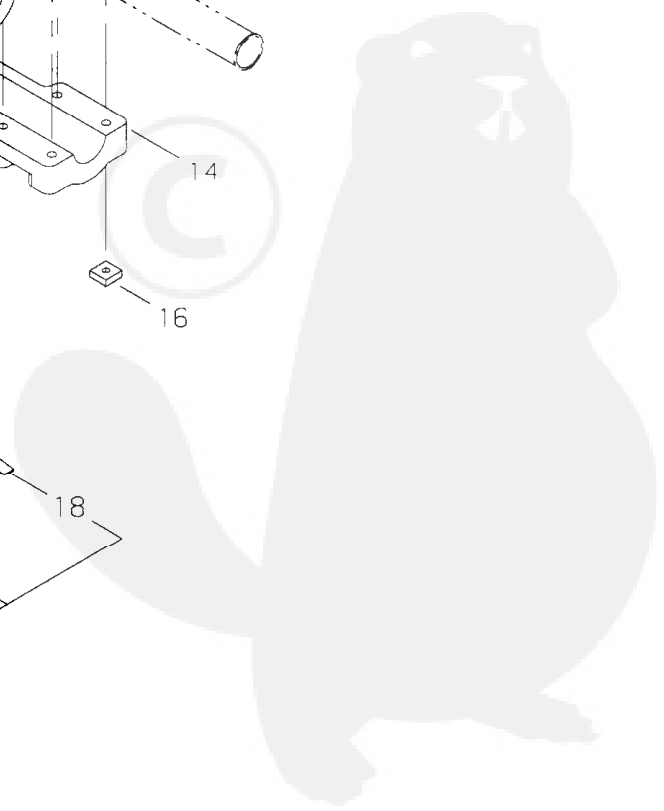
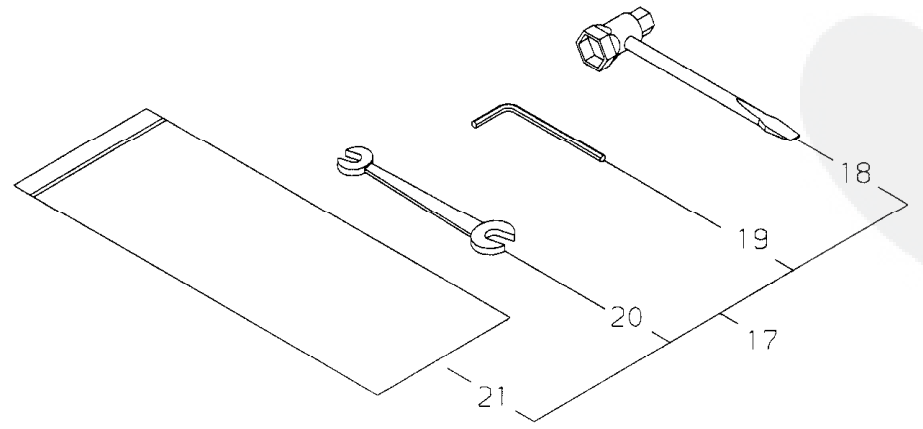
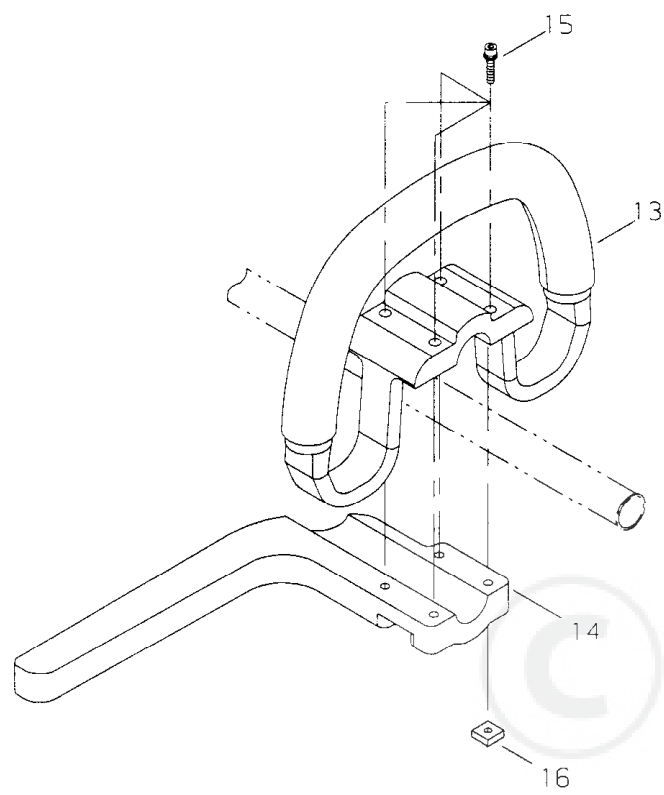
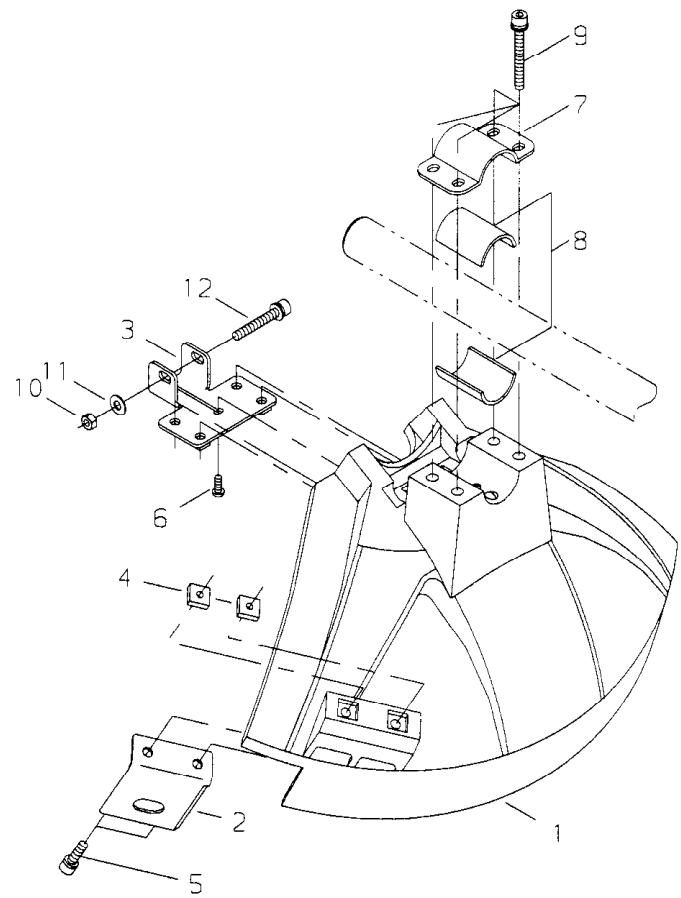
Ref. No	Part No.	Part Name	Q`ty
1- 1	22410-13011	GEARCASESUBASSY	1
2	22035-13113	*GEARCASE	1
3	02006-00626	*BEARING	1
4	02000-06000	*BEARING	1
5	22035-13140	*OILSEAL	1
6	02432-26120	*SNAPRING	1
7	01014-06100	*BOLT	1
8	22000-13410	*GASKET	1
9	22410-13210	*GEARSHAFT	1
10	22550-13220	*BEVELGEAR	1
11	22035-13230	*COLLAR	1
12	22550-13390	*PINIONSET	1
13	02000-00608	*BEARING	1
14	02002-00608	*BEARING	1
15	22035-13340	*SNAPRING	1
16	02432-22100	*SNAPRING	1
17	11022-05160	*BOLTSPW	1
18	11023-05250	*BOLTSW	1
19	22000-13420	*SHIM	1
20	22035-13242	HOLDERA	1
21	65011-63171	HOLDER	1
22	37013-63311	BOLTGUARD	1
23	22035-13271	BOLT	1
24	22410-13530	SLIDECLIP	1





2- 1	65001-98310	OUTERPIPECOMP	1
2	65001-62110	*OUTERPIPE	1
3	22035-12120	*BUSH	2
4	37000-62210	MAINSHAFT	1
5	15250-10100	GROMMET	1
6	20891-98180	LINERCAP	1
7	19422-00010	LABELCAUTION	1
8	19401-00169	LABELINST	1
9	19402-00223	LABELCAUTION	1





3- 1	72480-16113	GUARD	1
2	72480-16121	CUTTER	1
3	72480-16130	LOWERCLAMP	1
4	22420-16120	NUT	2
5	11020-05160	BOLTSW	2
6	11202-40100	SCREWHILO4X10	1
7	72480-16210	UPPERCLAMP	1
8	72480-16220	SPACER	2
9	11022-05450	BOLTSPW	4
10	01500-05041	NUT	1
11	01613-05080	WASHER	1
12	11022-05350	BOLTSPW	1
13	62901-64112	HANDLE	1
14	65011-64120	BARRIER	1
15	11022-05350	BOLTSPW	4
16	22420-16120	NUT	4
17	22410-91000	TOOLSET	1
18	22000-91181	*PLUGWRENCH	1
19	09026-04001	*HEXAWRENCH	1
20	22000-91120	*SPANNER	1
21	19639-01400	*POLYBAG	1

