

DH202

Serial Number

00000001-99999999

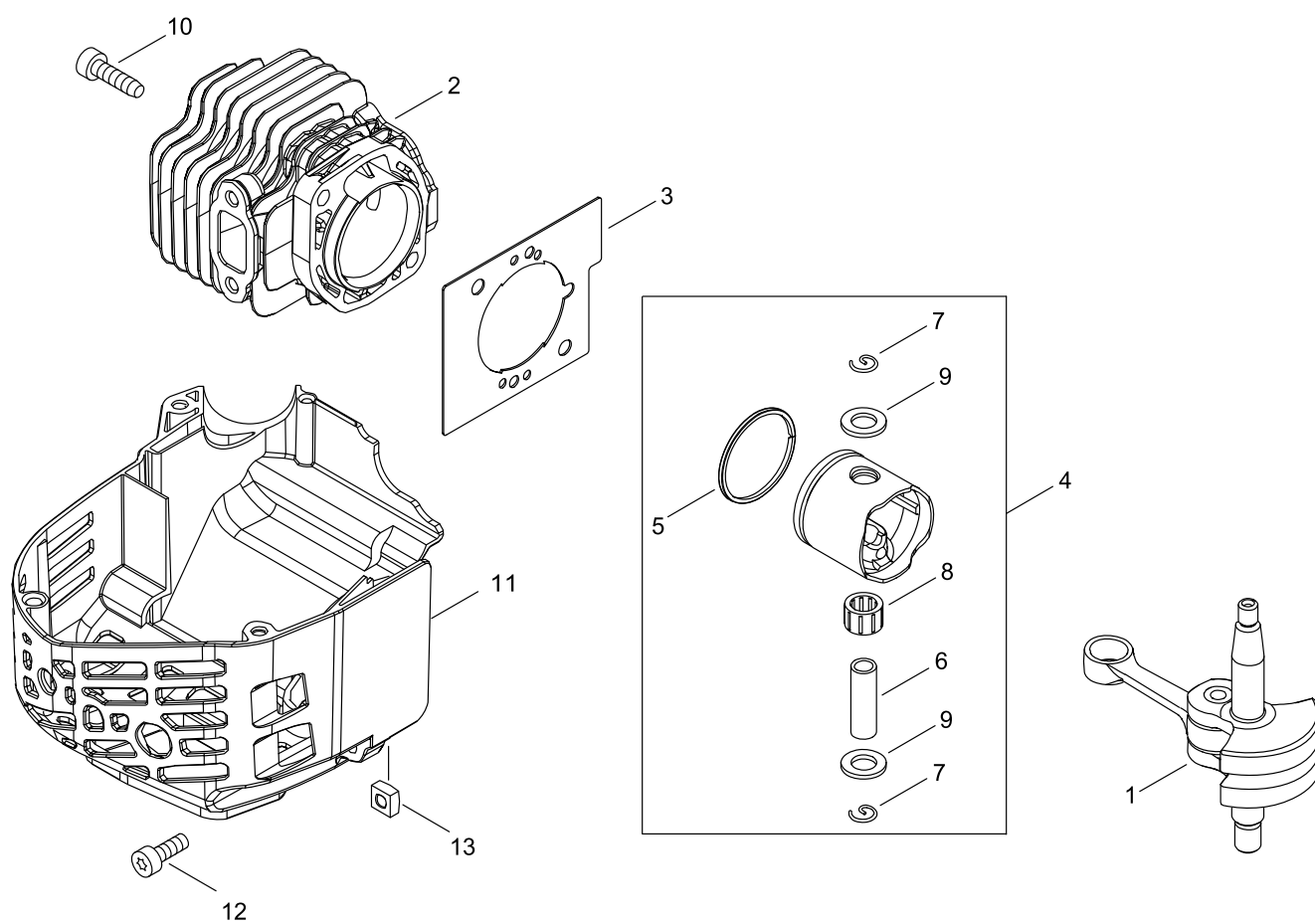
Last updated date

22/Jan/2021

TABLE OF CONTENTS

| | |
|------------------------------------|----|
| CYLINDER, PISTON, CRANKSHAFT | 1 |
| CRANKCASE | 3 |
| MAGNETO..... | 5 |
| AIR CLEANER, CARBURETOR..... | 7 |
| CARBURETOR..... | 9 |
| FUEL TANK | 11 |
| MUFFLER..... | 13 |
| RECOIL STARTER..... | 15 |
| GEAR CASE | 17 |
| CUTTING BLADE | 19 |
| HANDLE..... | 21 |
| ACCESSORIES | 23 |

CYLINDER, PISTON, CRANKSHAFT



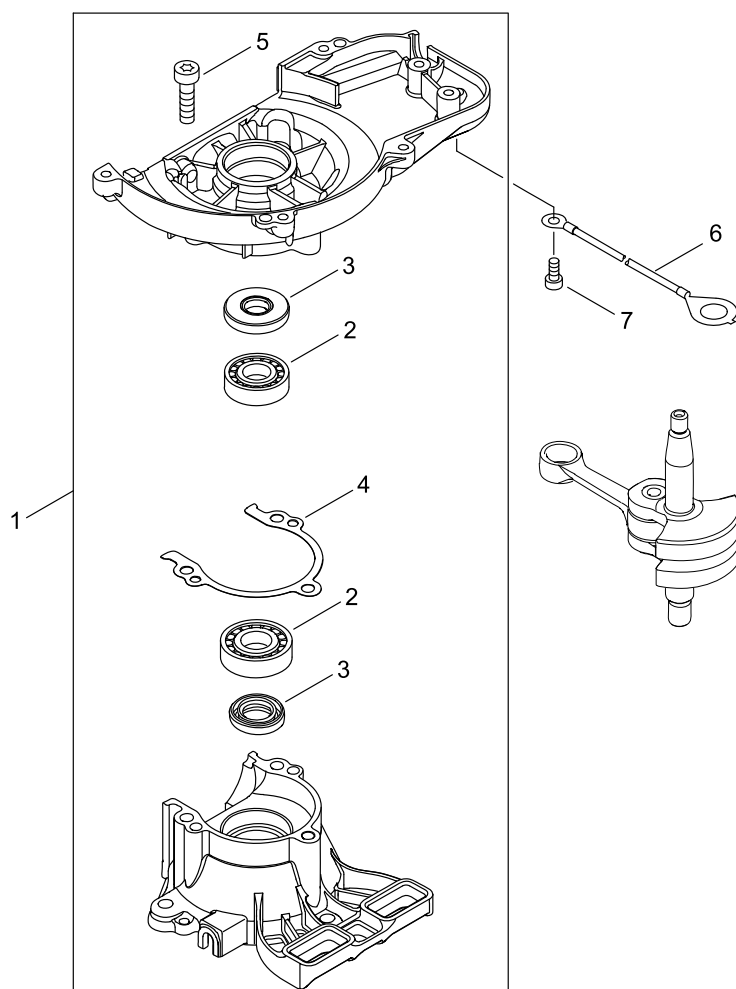
CYLINDER, PISTON, CRANKSHAFT

| Key No. | LV (+) | Parts Number | Parts Description | Qty | Standard | Class |
|---------|--------|--------------|---------------------|-----|--------------|-------|
| 1 | | A011-001550 | CRANKSHAFT,ASY | 1 | | D |
| 2 | | A130-001960 | CYLINDER | 1 | | D |
| 3 | | V100-000720 | GASKET,CYL | 1 | | B |
| 4 | | P021-007772 | PISTON KIT | 1 | | |
| 5 | + | A101-000090 | RING,PISTON | 1 | | B |
| 6 | + | 100013-11520 | PIN, PISTON | 1 | | D |
| 7 | + | 100015-04630 | CIRCLIP, PISTON PIN | 2 | | C |
| 8 | + | 100113-05930 | BEARING, NEEDLE | 1 | 8*12*8 | B |
| 9 | + | 100014-08960 | SPACER, PISTON PIN | 2 | | C |
| 10 | | V805-000210 | BOLT, TORX 5 | 2 | TB-5*20 12.9 | C |
| 11 | | A160-003580 | COVER,CYLINDER | 1 | HC-2020 | C |
| 12 | | V805-000150 | BOLT, TORX 5 | 1 | TB-5*16 10.9 | C |
| 13 | | 900565-00005 | NUT, SQUARE | 1 | 5 | |

Class : Consumable class

A:Fast moving parts B:Semi-fast moving parts C:Slow moving parts D:Order only as needed

CRANKCASE



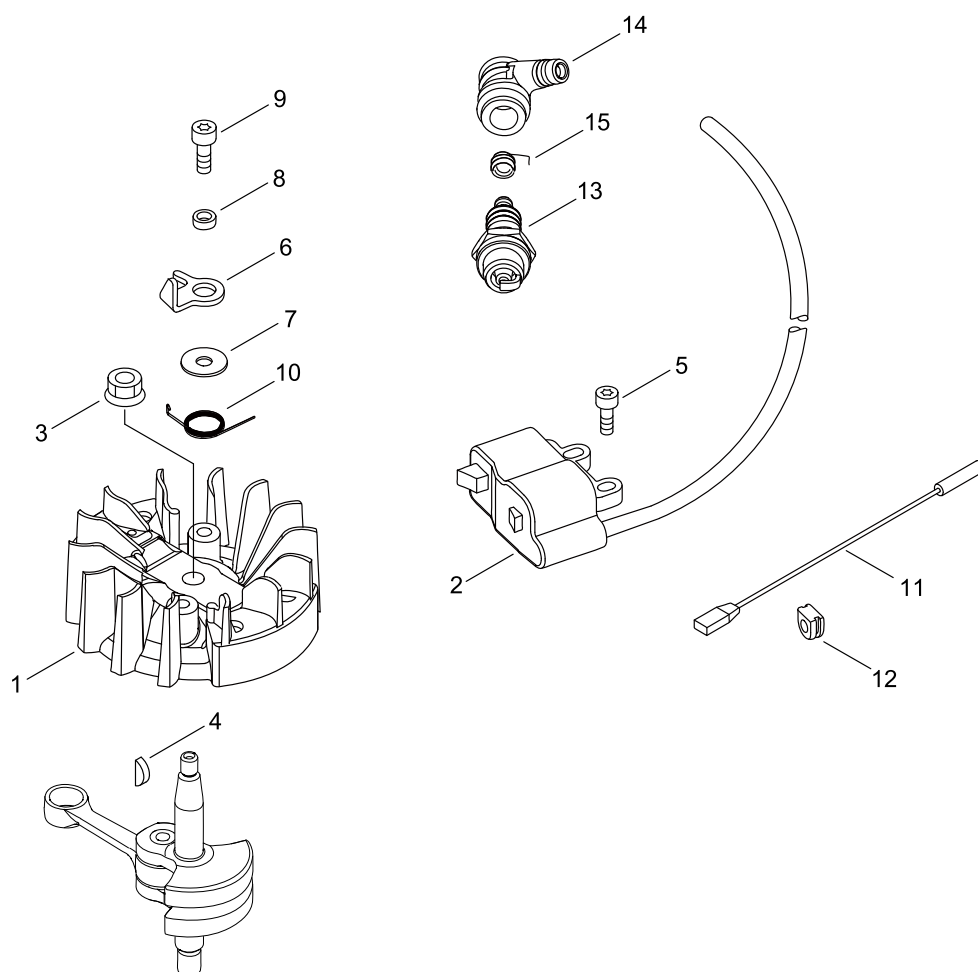
CRANKCASE

| Key No. | LV (+) | Parts Number | Parts Description | Qty | Standard | Class |
|---------|--------|--------------|-------------------|-----|--------------|-------|
| 1 | | P100-006080 | CRANKCASE SET | 1 | | |
| 2 | + | 900810-36000 | BEARING, BALL | 2 | 6000 | |
| 3 | + | 100212-61830 | OILSEAL | 2 | ISCD 10*20*5 | C |
| 4 | + | V102-000240 | GASKET,CRANKCASE | 1 | | B |
| 5 | + | V805-000220 | BOLT, TORX 5 | 3 | TB-5*25 12.9 | C |
| 6 | | V485-003140 | LEAD | 1 | | C |
| 7 | | V804-000040 | BOLT, TORX 4 | 1 | TB-4*10 10.9 | C |

Class : Consumable class

A:Fast moving parts B:Semi-fast moving parts C:Slow moving parts D:Order only as needed

MAGNETO



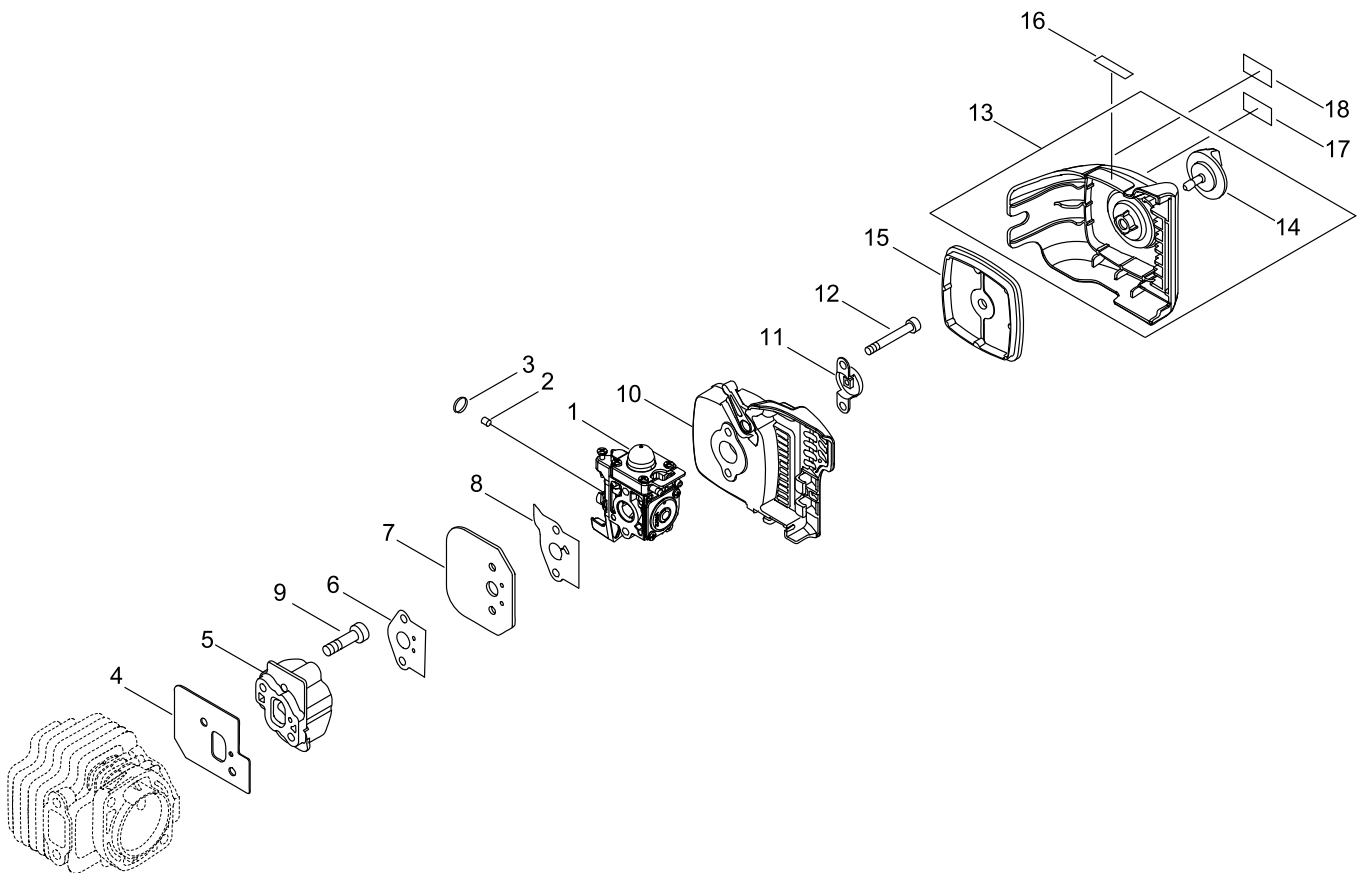
MAGNETO

| Key No. | LV (+) | Parts Number | Parts Description | Qty | Standard | Class |
|---------|--------|--------------|--------------------|-----|--------------|-------|
| 1 | | A409-001360 | ROTOR, MAGNETO | 1 | ID R10011 | C |
| 2 | | A411-001810 | COIL, IGNITION | 1 | L200+10 | C |
| 3 | | 92105-06000 | NUT L, FLANGE | 1 | 6 | |
| 4 | | 100142-12330 | KEY, WOODRUFF | 1 | | C |
| 5 | | V804-000060 | BOLT, TORX 4 | 2 | TB-4*16 10.9 | C |
| 6 | | A514-000260 | PAWL | 2 | | C |
| 7 | | 131911-03460 | WASHER | 2 | | C |
| 8 | | 178070-10860 | SPACER | 2 | | C |
| 9 | | V805-000150 | BOLT, TORX 5 | 2 | TB-5*16 10.9 | C |
| 10 | | V452-001370 | SPRING,TORSION | 2 | | B |
| 11 | | V485-001220 | LEAD | 1 | L:85 | C |
| 12 | | V135-000150 | GROMMET,HT CORD | 1 | | C |
| 13 | | A425-000000 | SPARKPLUG | 1 | BPMR8Y | A |
| 14 | | A427-000013 | CAP,SPARK PLUG | 1 | | C |
| 15 | | A426-000010 | TERMINAL,SPARKPLUG | 1 | | C |

Class : Consumable class

A:Fast moving parts B:Semi-fast moving parts C:Slow moving parts D:Order only as needed

AIR CLEANER, CARBURETOR



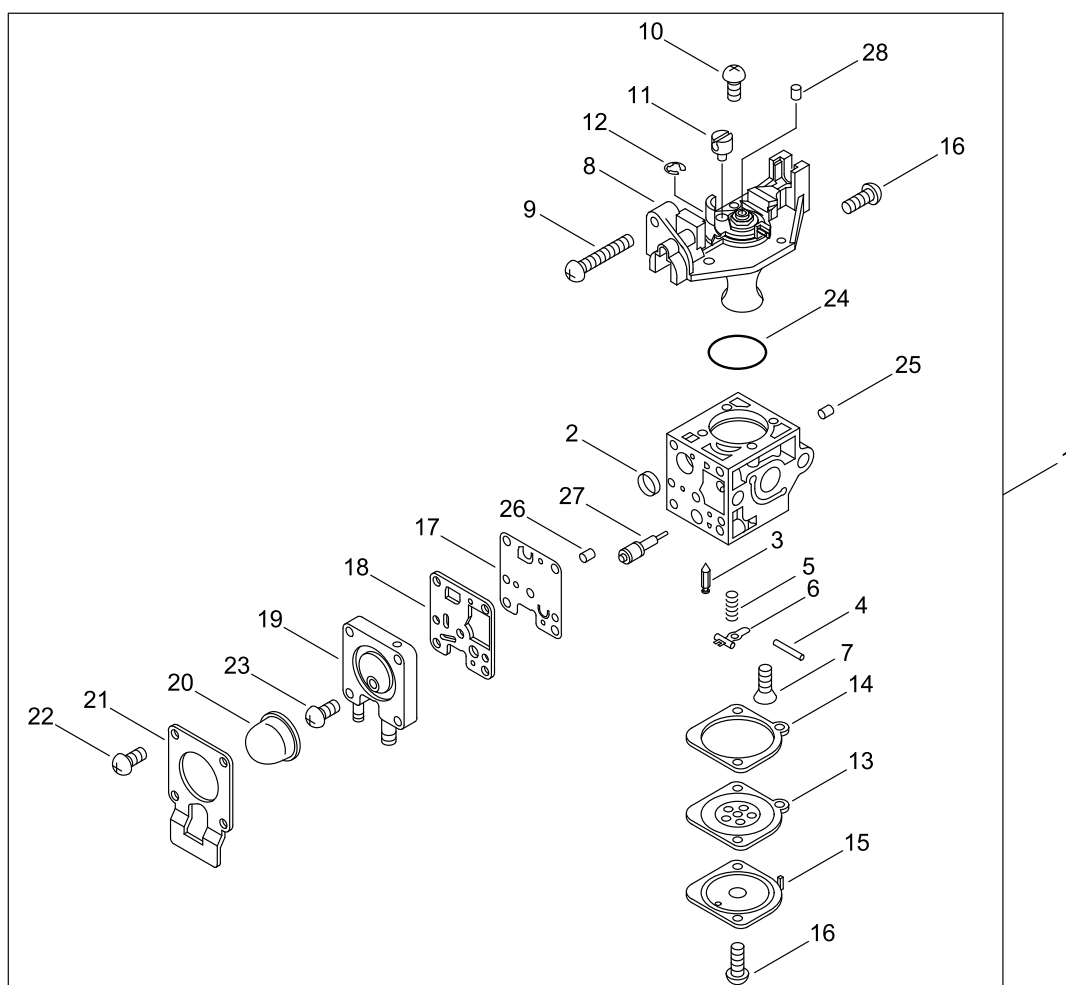
AIR CLEANER, CARBURETOR

| Key No. | LV (+) | Parts Number | Parts Description | Qty | Standard | Class |
|---------|--------|--------------|----------------------|-----|--------------|-------|
| 1 | | A021-004900 | CARBURETOR,DIAPHRAGM | 1 | ID:YZ0008 | B |
| 2 | | A259-000010 | CAP,LIMITER | 1 | | B |
| 3 | | V490-001100 | CLIP | 1 | | C |
| 4 | | V103-002030 | GASKET,INTAKE | 1 | T1.0 | A |
| 5 | | A200-001200 | INSULATOR, INTAKE | 1 | | C |
| 6 | | V103-002020 | GASKET,INTAKE | 1 | | A |
| 7 | | A209-000610 | PLATE, INSULATOR | 1 | | C |
| 8 | | V103-001740 | GASKET,INTAKE | 1 | | A |
| 9 | | V805-000170 | BOLT, TORX 5 | 2 | TB-5*25 10.9 | C |
| 10 | | P100-008830 | CASE,CLEANER | 1 | | |
| 11 | | A244-000070 | PLATE,PREVENT | 1 | | C |
| 12 | | V805-000100 | BOLT, TORX 5 | 2 | TB-5*65 10.9 | C |
| 13 | | P021-050320 | CLEANER LID ASY | 1 | | |
| 14 | + | V299-000410 | KNOB | 1 | | C |
| 15 | | A226-001410 | ELEMENT,AIR FILTER | 1 | | A |
| 16 | | 890332-52730 | LABEL, CHOKE | 1 | | D |
| 17 | | X505-001340 | LABEL,CAUTION | 1 | | D |
| 18 | | X505-007100 | LABEL,CAUTION | 1 | 50:1 | D |

Class : Consumable class

A:Fast moving parts B:Semi-fast moving parts C:Slow moving parts D:Order only as needed

CARBURETOR



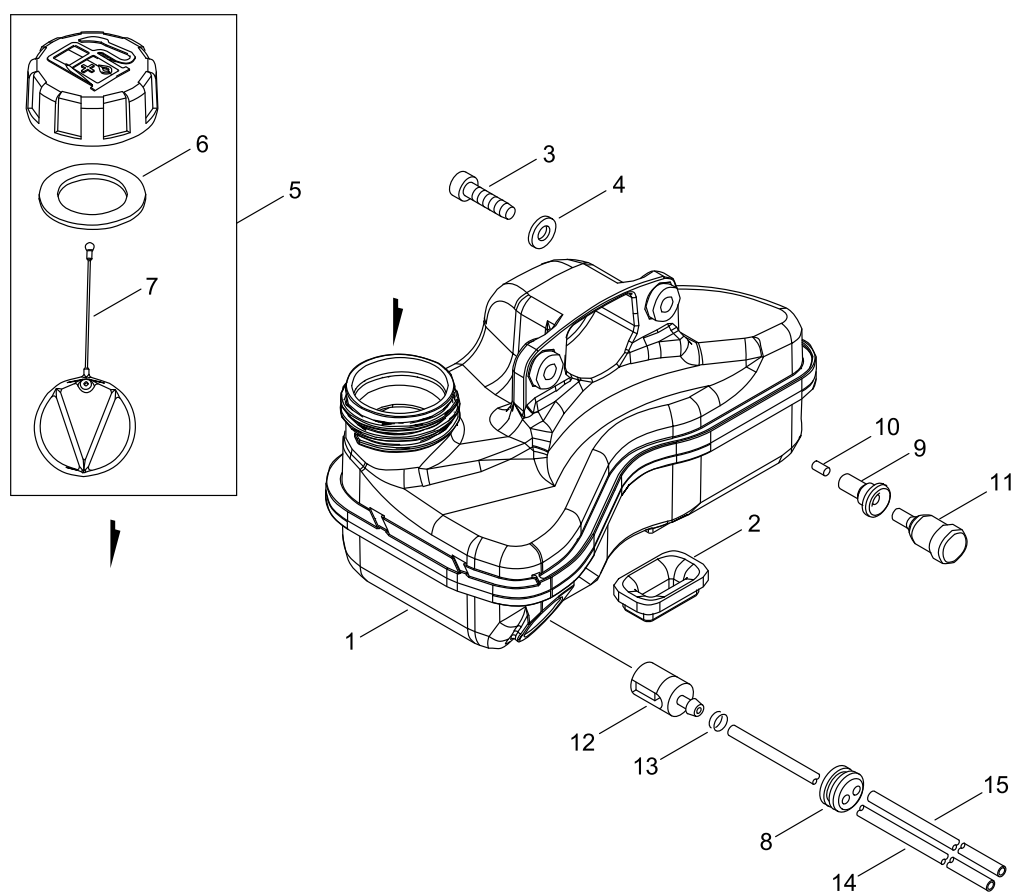
CARBURETOR

| Key No. | LV (+) | Parts Number | Parts Description | Qty | Standard | Class |
|---------|--------|--------------|----------------------|-----|-----------|-------|
| 1 | | A021-004900 | CARBURETOR,DIAPHRAGM | 1 | ID:YZ0008 | B |
| 2 | + | P005-000010 | STRAINER | 1 | | |
| 3 | + | 125337-08260 | VALVE, INLET NEEDLE | 1 | | |
| 4 | + | 125338-13930 | PIN, METERING ARM | 1 | | |
| 5 | + | P005-000940 | SPRING, METER. LEVER | 1 | | |
| 6 | + | 125323-08260 | ARM, VALVE | 1 | | |
| 7 | + | 125339-42030 | SCREW | 1 | | |
| 8 | + | P005-002050 | COVER ASY, ROTOR | 1 | | |
| 9 | + | P005-000100 | SCREW,THROTTLEADJUST | 1 | | |
| 10 | + | 125344-13931 | SCREW | 3 | | |
| 11 | + | P005-002200 | POST | 1 | | |
| 12 | + | P005-000190 | E-RING | 1 | | |
| 13 | + | P005-003760 | DIAPHRAGM ,METERING | 1 | | |
| 14 | + | P005-000200 | GASKET, METERING | 1 | | A |
| 15 | + | 125342-52130 | COVER, DIAPHRAGM | 1 | | |
| 16 | + | 125344-52130 | SCREW | 3 | | |
| 17 | + | P005-000510 | DIAPHRAGM, PUMP | 1 | | A |
| 18 | + | P005-000520 | GASKET, PUMP | 1 | | A |
| 19 | + | P005-004240 | BASE, ASY PRIMER | 1 | | |
| 20 | + | P005-003110 | PUMP, PRIMER | 1 | | |
| 21 | + | P005-000250 | RETAINER | 1 | | |
| 22 | + | P005-001900 | SCREW | 4 | | |
| 23 | + | P005-000270 | SCREW | 1 | | |
| 24 | + | P005-004260 | RING,O | 1 | | |
| 25 | + | P005-001000 | ROLLER, GUIDE | 1 | | |
| 26 | + | P005-001250 | RETAINER,PLUG BALL | 1 | | |
| 27 | + | P005-001260 | SCREW,MAINN MIXTURE | 1 | | |
| 28 | + | P005-001270 | PLUG, AJUST SCREW | 1 | | |

Class : Consumable class

A:Fast moving parts B:Semi-fast moving parts C:Slow moving parts D:Order only as needed

FUEL TANK



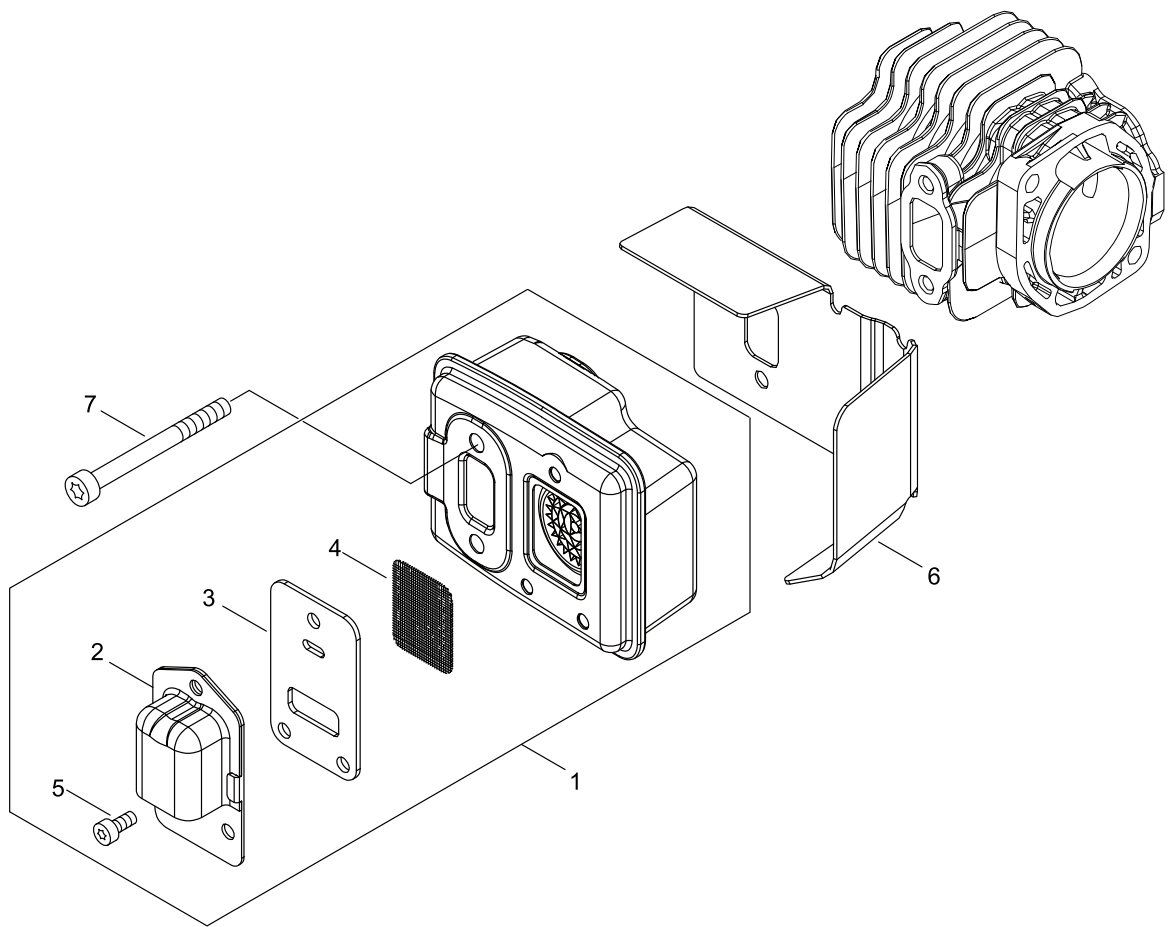
FUEL TANK

| Key No. | LV (+) | Parts Number | Parts Description | Qty | Standard | Class |
|---------|--------|--------------|-------------------|-----|--------------|-------|
| 1 | | A350-002521 | TANK, FUEL | 1 | Q-19-148 | C |
| 2 | | V420-004490 | CUSHION | 2 | | B |
| 3 | | V805-000160 | BOLT, TORX 5 | 2 | TB-5*20 10.9 | C |
| 4 | | 900603-00005 | WASHER | 2 | 5 | |
| 5 | | P100-008820 | CAP,FUEL ASY | 1 | | |
| 6 | + | V107-000190 | GASKET,FUEL CAP | 1 | 37.9* T2.2 | A |
| 7 | + | A365-000050 | CONNECTOR,CAP | 1 | | B |
| 8 | | 132115-44331 | GROMMET, FUEL | 1 | | C |
| 9 | | V137-000150 | GROMMET,FUEL | 1 | | C |
| 10 | | 131314-35430 | VALVE, CHECK | 1 | | C |
| 11 | | A356-000031 | VALVE,CHECK | 1 | | B |
| 12 | | A369-000480 | STRAINER, FUEL | 1 | 125-959 | A |
| 13 | | V490-001240 | CLIP | 1 | | C |
| 14 | | V471-005540 | PIPE | 1 | 3*5*210 | C |
| 15 | | 132010-56330 | PIPE 3*6*90 | 1 | 3*6*90 YL | C |

Class : Consumable class

A:Fast moving parts B:Semi-fast moving parts C:Slow moving parts D:Order only as needed

MUFFLER



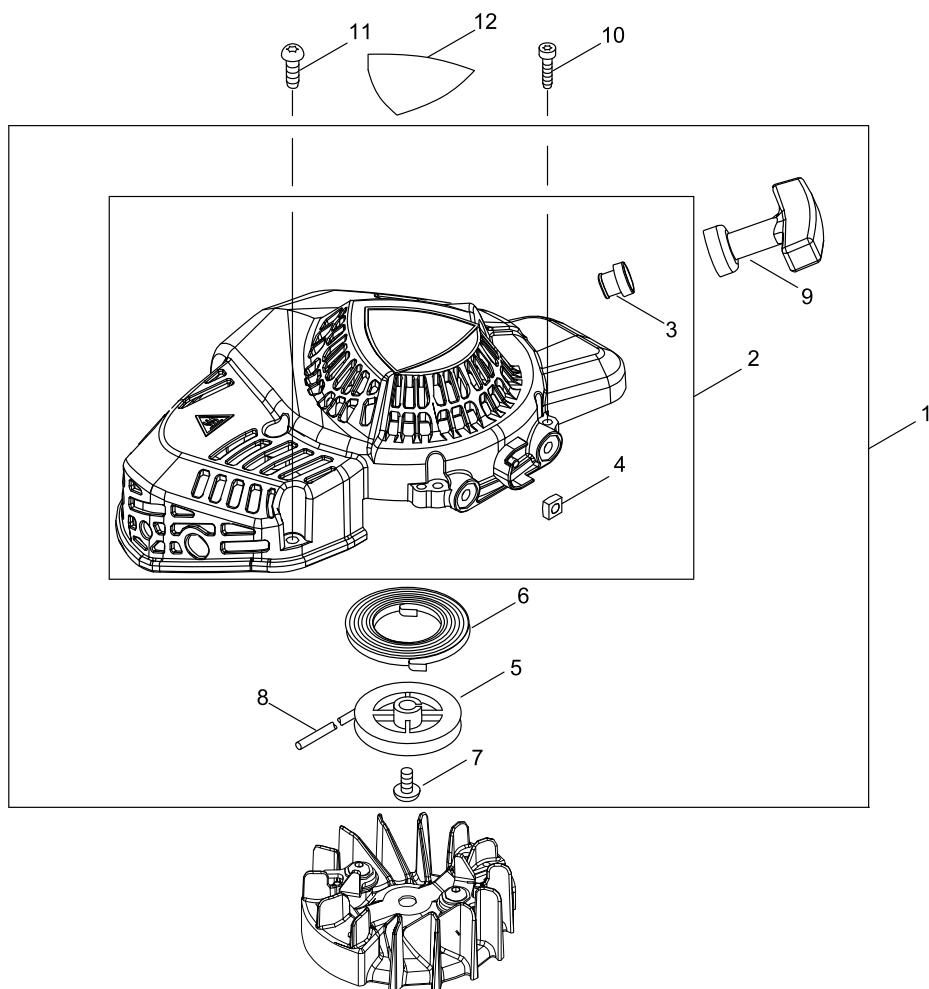
MUFFLER

| Key No. | LV (+) | Parts Number | Parts Description | Qty | Standard | Class |
|---------|--------|--------------|-------------------|-----|--------------|-------|
| 1 | | P100-009110 | MUFFLER ASY | 1 | | |
| 2 | + | A313-002120 | GUIDE, EXHAUST | 1 | ID#2920 | C |
| 3 | + | V104-002530 | GASKET,EXHAUST | 1 | T:1.5 | A |
| 4 | + | 145862-40630 | SCREEN, MUFFLER | 1 | | B |
| 5 | + | V804-000030 | BOLT, TORX 4 | 3 | TB-4*8 10.9 | C |
| 6 | | V104-002190 | GASKET,EXHAUST | 1 | | A |
| 7 | | V805-000190 | BOLT, TORX 5 | 2 | TB-5*55 12.9 | C |

Class : Consumable class

A:Fast moving parts B:Semi-fast moving parts C:Slow moving parts D:Order only as needed

RECOIL STARTER



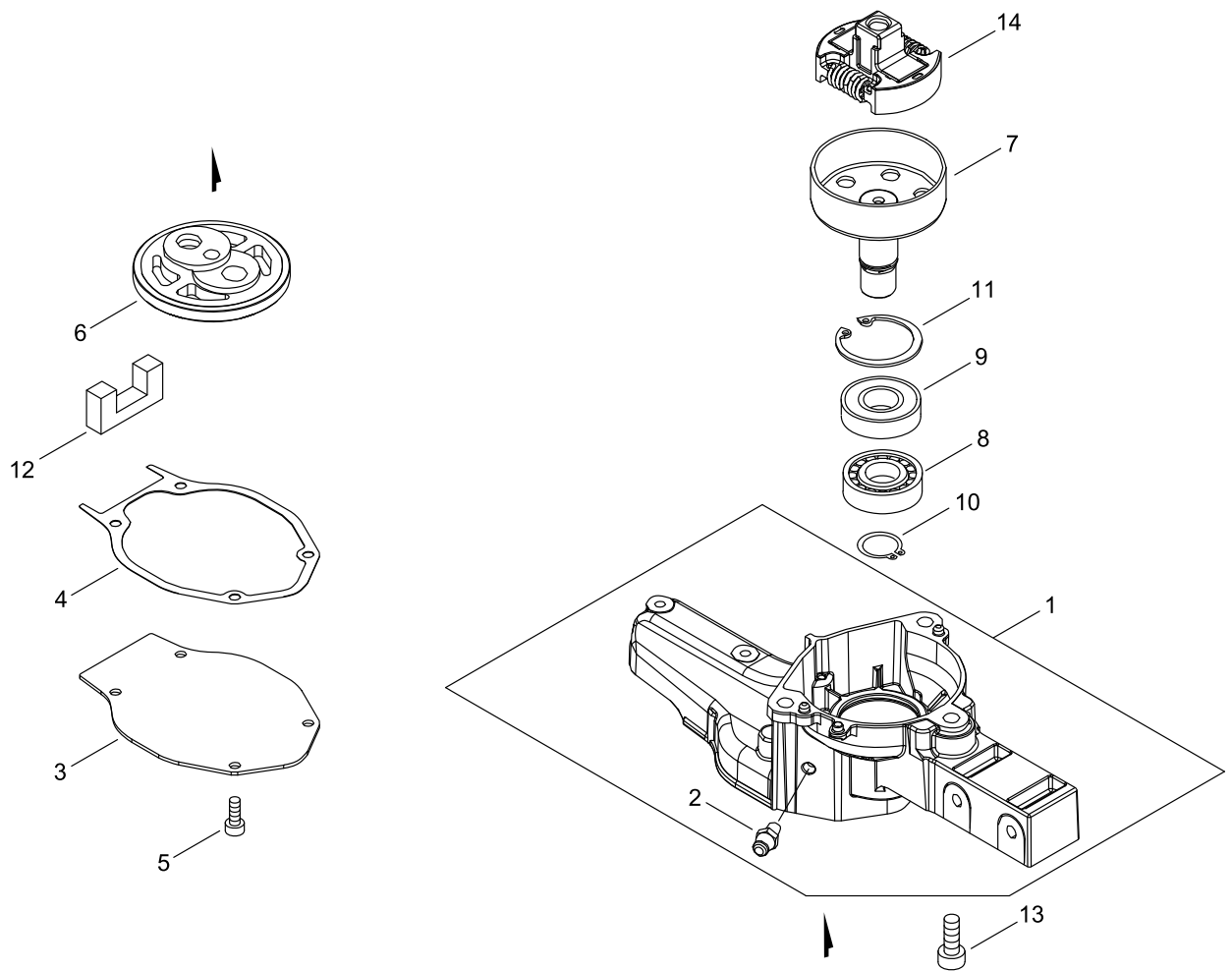
RECOIL STARTER

| Key No. | LV (+) | Parts Number | Parts Description | Qty | Standard | Class |
|---------|--------|--------------|-------------------|-----|-----------------|-------|
| 1 | | A051-003500 | STARTER,RECOIL | 1 | | B |
| 2 | + | P022-055640 | CASE, STARTER | 1 | | |
| 3 | ++ | P022-045770 | GUIDE, ROPE | 1 | | |
| 4 | ++ | P022-022010 | NUT | 2 | | |
| 5 | + | P022-051650 | DRUM, STARTER | 1 | | |
| 6 | + | P022-019680 | SPRING, SPIRAL | 1 | | |
| 7 | + | 177236-44330 | SCREW | 1 | | |
| 8 | + | P022-039290 | ROPE, STARTER | 1 | | |
| 9 | + | P022-051660 | GRIP, STARTER | 1 | | |
| 10 | | V804-000060 | BOLT, TORX 4 | 4 | TB-4*16 10.9 | C |
| 11 | | V805-000000 | BOLT, TORX 5 | 2 | TT-5*16 DG 10.9 | C |
| 12 | | X562-001980 | LABEL,SHINDAIWA | 1 | SD+DH202 (CN) | |

Class : Consumable class

A:Fast moving parts B:Semi-fast moving parts C:Slow moving parts D:Order only as needed

GEAR CASE



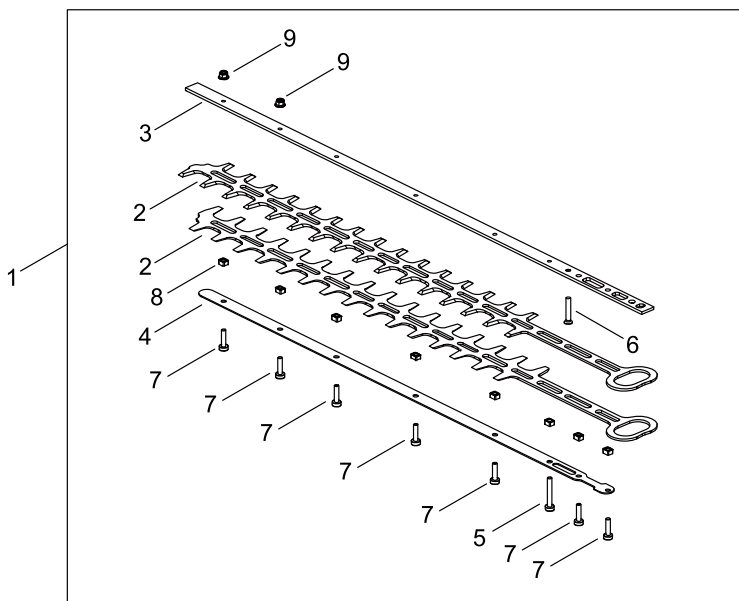
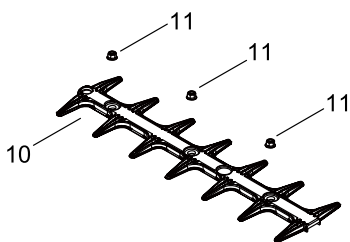
GEAR CASE

| Key No. | LV (+) | Parts Number | Parts Description | Qty | Standard | Class |
|---------|--------|--------------|--------------------------|-----|------------------|-------|
| 1 | | P100-006070 | CASE,GEAR ASY | 1 | | |
| 2 | + | 880110-54230 | NIPPLE, GREASE | 1 | | |
| 3 | | C539-000190 | LID,GEARCASE | 1 | T1.6 | D |
| 4 | | V110-000230 | GASKET,GEAR CASE | 1 | T0.3 | A |
| 5 | | V804-000050 | BOLT, TORX 4 | 4 | TB-4*12 10.9 | C |
| 6 | | V650-000740 | GEAR,SPUR | 1 | | C |
| 7 | | A556-001840 | DRUM, CLUTCH | 1 | 50 T1.4 | B |
| 8 | | 900800-06002 | BEARING, BALL | 1 | 6002 | |
| 9 | | 900802-06002 | BEARING, BALL | 1 | 6002LLU(DDU) | |
| 10 | | 900701-00014 | RETAINING RING, EXTERNAL | 1 | CS-14 | |
| 11 | | 900702-00032 | RETAINING RING, INTERNAL | 1 | CR-32 | |
| 12 | | V541-000750 | SEAL | 1 | | C |
| 13 | | V806-000130 | BOLT, TORX 6 | 3 | TB-6*16 ALL 10.9 | C |
| 14 | | A056-000790 | CLUTCH ASY | 1 | | B |

Class : Consumable class

A:Fast moving parts B:Semi-fast moving parts C:Slow moving parts D:Order only as needed

CUTTING BLADE



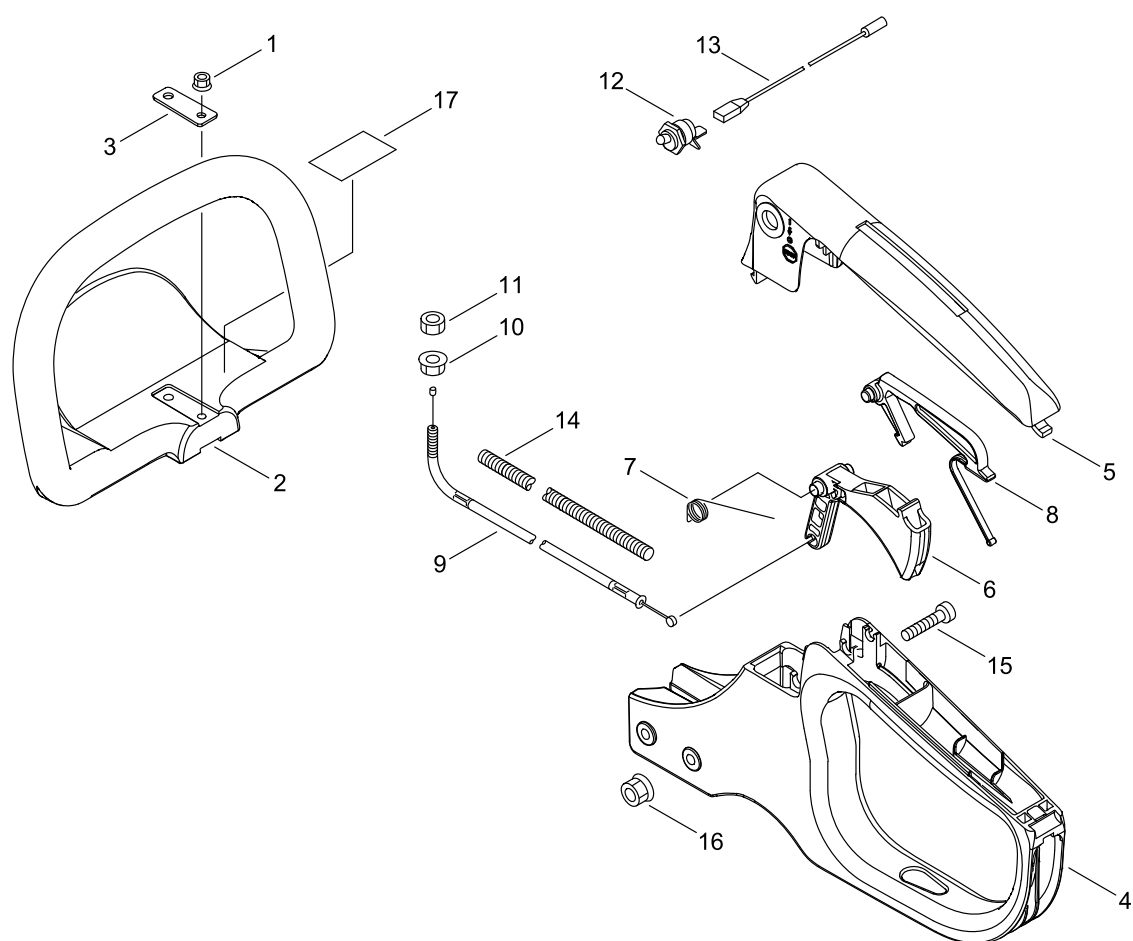
CUTTING BLADE

| Key No. | LV (+) | Parts Number | Parts Description | Qty | Standard | Class |
|---------|--------|--------------|-------------------|-----|------------------|-------|
| 1 | | X041-000800 | CUTTER,ASM | 1 | | |
| 2 | + | X412-000950 | CUTTER | 2 | | |
| 3 | + | X425-001170 | SUPPORT,CUTTER | 1 | | |
| 4 | + | X425-001180 | SUPPORT,CUTTER | 1 | | |
| 5 | + | V805-000370 | BOLT, TORX 5 | 1 | TB-5*35 ALL 12.9 | C |
| 6 | + | 900212-05030 | SCREW | 1 | 5*30 | |
| 7 | + | V805-000210 | BOLT, TORX 5 | 7 | TB-5*20 12.9 | C |
| 8 | + | V353-000250 | COLLAR | 8 | 9*7.45*5.3 | C |
| 9 | + | 92108-05000 | NUT, FLANGE | 2 | 5 | |
| 10 | | X431-000200 | BLUNT | 1 | | C |
| 11 | | 92108-05000 | NUT, FLANGE | 3 | 5 | |

Class : Consumable class

A:Fast moving parts B:Semi-fast moving parts C:Slow moving parts D:Order only as needed

HANDLE



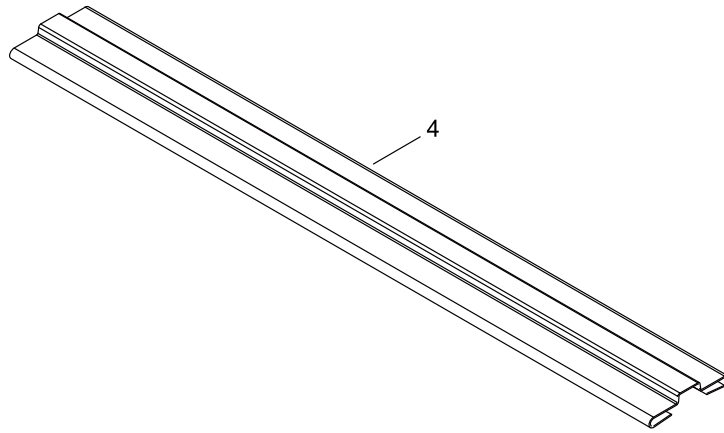
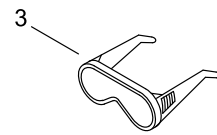
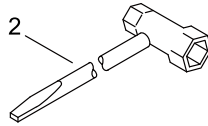
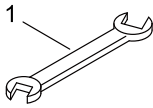
HANDLE

| Key No. | LV (+) | Parts Number | Parts Description | Qty | Standard | Class |
|---------|--------|--------------|-------------------|-----|-----------------|-------|
| 1 | | 92108-05000 | NUT, FLANGE | 2 | 5 | |
| 2 | | C400-000533 | HANDLE, FRONT | 1 | | C |
| 3 | | 351611-05360 | WASHER | 1 | | C |
| 4 | | C410-000431 | HANDLE, REAR | 1 | HC-155/HC-2020 | C |
| 5 | | C411-000030 | LID,HANDLE | 1 | | C |
| 6 | | C450-000750 | TRIGGER,THROTTLE | 1 | | C |
| 7 | | V452-000392 | SPRING,TORSION | 1 | 11.5 ID | B |
| 8 | | C460-000120 | LOCKOUT, THROTTLE | 1 | | C |
| 9 | | V430-004670 | CABLE,BOWDEN | 1 | | B |
| 10 | | 900515-00006 | NUT, FLANGE | 1 | 6 | |
| 11 | | 900502-00006 | NUT | 1 | 6 | |
| 12 | | 163400-03460 | SWITCH, IGNITION | 1 | | C |
| 13 | | V485-003150 | LEAD | 1 | C2809 CA104 415 | C |
| 14 | | V475-007040 | TUBE | 1 | 7*210 | C |
| 15 | | V805-000280 | BOLT, TORX 5 | 2 | TB-5*45 10.9 | C |
| 16 | | 92108-05000 | NUT, FLANGE | 2 | 5 | |
| 17 | | X505-002030 | LABEL,CAUTION | 1 | 37*35 | D |

Class : Consumable class

A:Fast moving parts B:Semi-fast moving parts C:Slow moving parts D:Order only as needed

ACCESSORIES



ACCESSORIES

| Key No. | LV (+) | Parts Number | Parts Description | Qty | Standard | Class |
|---------|--------|--------------|---------------------|-----|-----------------|-------|
| 1 | | 895112-00330 | SPANNER 8*10 | 1 | | D |
| 2 | | 895410-03930 | WRENCH, W/S. DRIVER | 1 | | D |
| 3 | | X690-000080 | GOGGLE | 1 | SI CHINA, Z87.1 | D |
| 4 | | X495-000640 | SCABBARD, BLADE | 1 | L585 | D |

Class : Consumable class

A:Fast moving parts B:Semi-fast moving parts C:Slow moving parts D:Order only as needed

NUMERICAL PARTS INDEX

| Part No | Part description | Page | Part No | Part description | Page | Part No | Part description | Page |
|--------------|--------------------------|------|-------------|-----------------------|------|-------------|---------------------|------|
| 100013-11520 | PIN, PISTON | 2 | A056-000790 | CLUTCH ASY | 18 | P005-003760 | DIAPHRAGM ,METERING | 10 |
| 100014-08960 | SPACER, PISTON PIN | 2 | A101-000090 | RING,PISTON | 2 | P005-004240 | BASE, ASY PRIMER | 10 |
| 100015-04630 | CIRCLIP, PISTON PIN | 2 | A130-001960 | CYLINDER | 2 | P005-004260 | RING,O | 10 |
| 100113-05930 | BEARING, NEEDLE | 2 | A160-003580 | COVER,CYLINDER | 2 | P021-007772 | PISTON KIT | 2 |
| 100142-12330 | KEY, WOODRUFF | 6 | A200-001200 | INSULATOR, INTAKE | 8 | P021-050320 | CLEANER LID ASY | 8 |
| 100212-61830 | OILSEAL | 4 | A209-000610 | PLATE, INSULATOR | 8 | P022-019680 | SPRING, SPIRAL | 16 |
| 125323-08260 | ARM, VALVE | 10 | A226-001410 | ELEMENT,AIR FILTER | 8 | P022-022010 | NUT | 16 |
| 125337-08260 | VALVE, INLET NEEDLE | 10 | A244-000070 | PLATE,PREVENT | 8 | P022-039290 | ROPE, STARTER | 16 |
| 125338-13930 | PIN, METERING ARM | 10 | A259-000010 | CAP,LIMITER | 8 | P022-045770 | GUIDE, ROPE | 16 |
| 125339-42030 | SCREW | 10 | A313-002120 | GUIDE, EXHAUST | 14 | P022-051650 | DRUM, STARTER | 16 |
| 125342-52130 | COVER, DIAPHRAGM | 10 | A350-002521 | TANK, FUEL | 12 | P022-051660 | GRIP, STARTER | 16 |
| 125344-13931 | SCREW | 10 | A356-000031 | VALVE,CHECK | 12 | P022-055640 | CASE, STARTER | 16 |
| 125344-52130 | SCREW | 10 | A365-000050 | CONNECTOR,CAP | 12 | P100-006070 | CASE,GEAR ASY | 18 |
| 131314-35430 | VALVE, CHECK | 12 | A369-000480 | STRAINER, FUEL | 12 | P100-006080 | CRANKCASE SET | 4 |
| 131911-03460 | WASHER | 6 | A409-001360 | ROTOR, MAGNETO | 6 | P100-008820 | CAP,FUEL ASY | 12 |
| 132010-56330 | PIPE 3*6*90 | 12 | A411-001810 | COIL, IGNITION | 6 | P100-008830 | CASE,CLEANER | 8 |
| 132115-44331 | GROMMET, FUEL | 12 | A425-000000 | SPARKPLUG | 6 | P100-009110 | MUFFLER ASY | 14 |
| 145862-40630 | SCREEN, MUFFLER | 14 | A426-000010 | TERMINAL,SPARKPLUG | 6 | V100-000720 | GASKET,CYL | 2 |
| 163400-03460 | SWITCH, IGNITION | 22 | A427-000013 | CAP,SPARK PLUG | 6 | V102-000240 | GASKET,CRANKCASE | 4 |
| 177236-44330 | SCREW | 16 | A514-000260 | PAWL | 6 | V103-001740 | GASKET,INTAKE | 8 |
| 178070-10860 | SPACER | 6 | A556-001840 | DRUM, CLUTCH | 18 | V103-002020 | GASKET,INTAKE | 8 |
| 351611-05360 | WASHER | 22 | C400-000533 | HANDLE, FRONT | 22 | V103-002030 | GASKET,INTAKE | 8 |
| 880110-54230 | NIPPLE, GREASE | 18 | C410-000431 | HANDLE, REAR | 22 | V104-002190 | GASKET,EXHAUST | 14 |
| 890332-52730 | LABEL, CHOKE | 8 | C411-000030 | LID,HANDLE | 22 | V104-002530 | GASKET,EXHAUST | 14 |
| 895112-00330 | SPANNER 8*10 | 24 | C450-000750 | TRIGGER,THROTTLE | 22 | V107-000190 | GASKET,FUEL CAP | 12 |
| 895410-03930 | WRENCH, W/S. DRIVER | 24 | C460-000120 | LOCKOUT, THROTTLE | 22 | V110-000230 | GASKET,GEAR CASE | 18 |
| 900212-05030 | SCREW | 20 | C539-000190 | LID,GEARCASE | 18 | V135-000150 | GROMMET,HT CORD | 6 |
| 900502-00006 | NUT | 22 | P005-000010 | STRAINER | 10 | V137-000150 | GROMMET,FUEL | 12 |
| 900515-00006 | NUT, FLANGE | 22 | P005-000100 | SCREW, THROTTLEADJUST | 10 | V299-000410 | KNOB | 8 |
| 900565-00005 | NUT, SQUARE | 2 | P005-000190 | E-RING | 10 | V353-000250 | COLLAR | 20 |
| 900603-00005 | WASHER | 12 | P005-000200 | GASKET, METERING | 10 | V420-004490 | CUSHION | 12 |
| 900701-00014 | RETAINING RING, EXTERNAL | 18 | P005-000250 | RETAINER | 10 | V430-004670 | CABLE,BOWDEN | 22 |
| 900702-00032 | RETAINING RING, INTERNAL | 18 | P005-000270 | SCREW | 10 | V452-000392 | SPRING,TORSION | 22 |
| 900800-06002 | BEARING, BALL | 18 | P005-000510 | DIAPHRAGM, PUMP | 10 | V452-001370 | SPRING,TORSION | 6 |
| 900802-06002 | BEARING, BALL | 18 | P005-000520 | GASKET, PUMP | 10 | V471-005540 | PIPE | 12 |
| 900810-36000 | BEARING, BALL | 4 | P005-000940 | SPRING, METER. LEVER | 10 | V475-007040 | TUBE | 22 |
| 92105-06000 | NUT L, FLANGE | 6 | P005-001000 | ROLLER, GUIDE | 10 | V485-001220 | LEAD | 6 |
| 92108-05000 | NUT, FLANGE | 20 | P005-001250 | RETAINER,PLUG BALL | 10 | V485-003140 | LEAD | 4 |
| 92108-05000 | NUT, FLANGE | 22 | P005-001260 | SCREW,MAINN MIXTURE | 10 | V485-003150 | LEAD | 22 |
| A011-001550 | CRANKSHAFT,ASY | 2 | P005-001270 | PLUG, AJUST SCREW | 10 | V490-001100 | CLIP | 8 |
| A021-004900 | CARBURETOR, DIAPHRAGM | 8 | P005-001900 | SCREW | 10 | V490-001240 | CLIP | 12 |
| A021-004900 | CARBURETOR, DIAPHRAGM | 10 | P005-002050 | COVER ASY, ROTOR | 10 | V541-000750 | SEAL | 18 |
| A051-003500 | STARTER,RECOIL | 16 | P005-002200 | POST | 10 | V650-000740 | GEAR,SPUR | 18 |
| | | | P005-003110 | PUMP, PRIMER | 10 | V804-000030 | BOLT, TORX 4 | 14 |
| | | | | | | V804-000040 | BOLT, TORX 4 | 4 |

NUMERICAL PARTS INDEX

| Part No | Part description | Page |
|-------------|------------------|------|
| V804-000050 | BOLT, TORX 4 | 18 |
| V804-000060 | BOLT, TORX 4 | 6 |
| V804-000060 | BOLT, TORX 4 | 16 |
| V805-000000 | BOLT, TORX 5 | 16 |
| V805-000100 | BOLT, TORX 5 | 8 |
| V805-000150 | BOLT, TORX 5 | 2 |
| V805-000150 | BOLT, TORX 5 | 6 |
| V805-000160 | BOLT, TORX 5 | 12 |
| V805-000170 | BOLT, TORX 5 | 8 |
| V805-000190 | BOLT, TORX 5 | 14 |
| V805-000210 | BOLT, TORX 5 | 2 |
| V805-000210 | BOLT, TORX 5 | 20 |
| V805-000220 | BOLT, TORX 5 | 4 |
| V805-000280 | BOLT, TORX 5 | 22 |
| V805-000370 | BOLT, TORX 5 | 20 |
| V806-000130 | BOLT, TORX 6 | 18 |
| X041-000800 | CUTTER,ASM | 20 |
| X412-000950 | CUTTER | 20 |
| X425-001170 | SUPPORT,CUTTER | 20 |
| X425-001180 | SUPPORT,CUTTER | 20 |
| X431-000200 | BLUNT | 20 |
| X495-000640 | SCABBARD,BLADE | 24 |
| X505-001340 | LABEL,CAUTION | 8 |
| X505-002030 | LABEL,CAUTION | 22 |
| X505-007100 | LABEL,CAUTION | 8 |
| X562-001980 | LABEL,SHINDAIWA | 16 |
| X690-000080 | GOGGLE | 24 |