

shindaiwa[®]

PARTS CATALOG

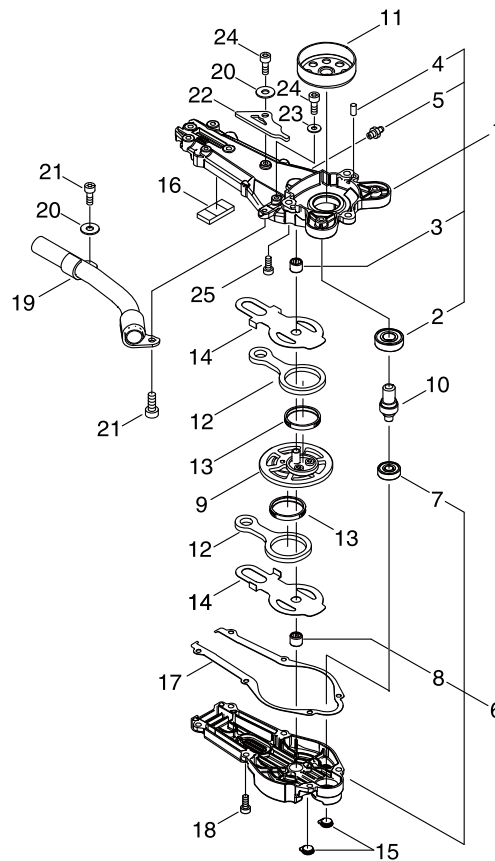
HEDGE TRIMMER DH232ST-24(37)

37000001 -

CE

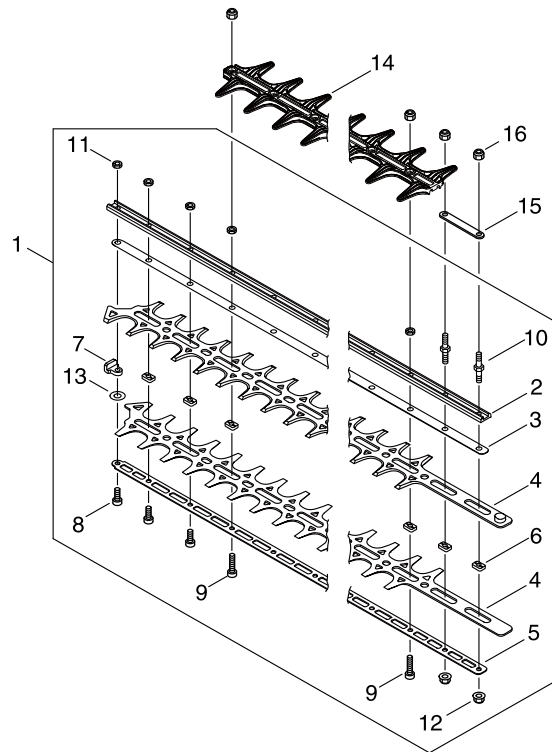
P016-001850-13Kb

1. GEAR CASE



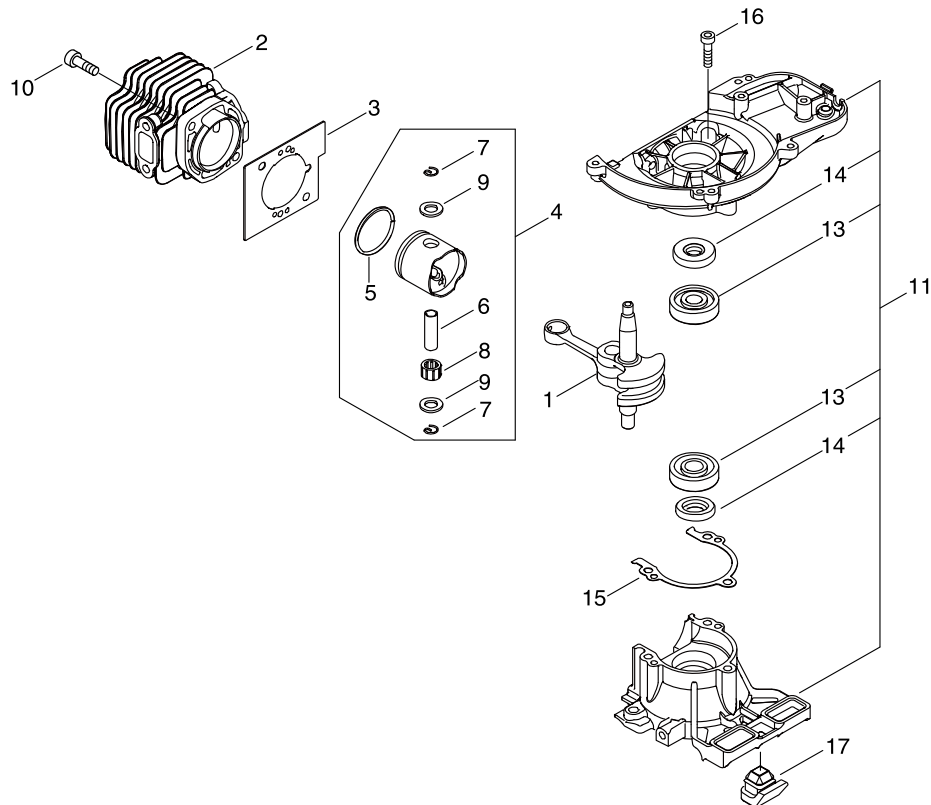
KEY	LV	PART NUMBER	Q'TY	DESCRIPTION	REMARKS	NOTE1	NOTE2
1		P021-041560	1	GEAR CASE COMP			
2	+	900802-06001	1	BEARING, BALL 6001	6001DDU(LLU)		
3	+	V553-000110	1	BEARING, NEEDLE			
4	+	900330-40080	2	PIN F 4*8	4*8		
5	+	V187-000080	1	GREASE NIPPLE			
6		P021-034241	1	CASE COVER COMP			
7	+	900804-00608	1	BEARING, BALL 608	608ZZ		
8	+	V553-000110	1	BEARING, NEEDLE			
9		V060-000071	1	GEAR, SPUR			
10		V655-000070	1	SHAFT, PINION			
11		A556-001430	1	DRUM, CLUTCH			
12		C532-000200	2	ROD			
13		V572-000000	2	BEARING, NEEDLE			
14		C603-000260	2	PLATE, SIDE			
15		V162-000390	2	PLUG			
16		V541-000200	1	SEAL			
17		V110-000120	1	GASKET	HTE750 T1.5		
18		V805-000150	6	BOLT, TORX 5	TB-5*16 10.9		
19		A313-001850	1	GUIDE, EXHAUST			
20		V303-000240	2	COLLAR			
21		V805-000130	2	BOLT, TORX 5	TB-5*10 10.9		
22		C536-000170	1	COVER, GEAR CASE			
23		900602-00005	1	WASHER 5	5.3*10*1		
24		V805-000110	2	BOLT, TORX 5	TB-5*6 10.9		
25		V806-000050	3	BOLT, TORX 6	TB-6*20 12.9		

2. BLADE



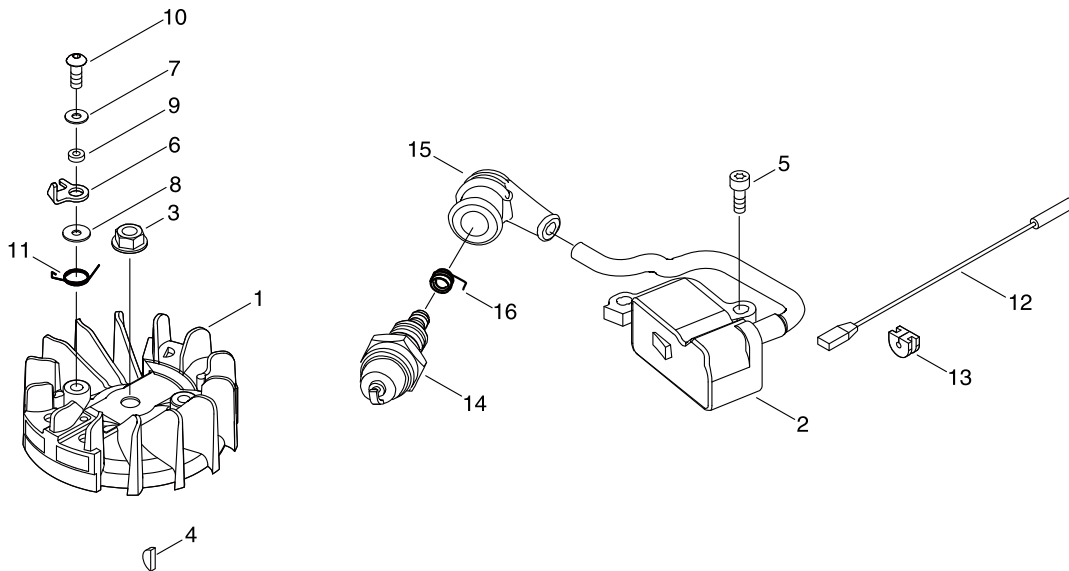
KEY	LV	PART NUMBER	Q'TY	DESCRIPTION	REMARKS	NOTE1	NOTE2
1		X041-000460	1	CUTTER,ASM			
2	+	X425-000570	1	SUPPORT,CUTTER	600MM		
3	+	X425-000580	1	SUPPORT,CUTTER	600MM		
4	+	X411-001290	2	CUTTER			
5	+	X425-000590	1	LOWER PLATE			
6	+	V376-001390	10	SPACER			
7	+	V376-001380	1	BLOCK			
8	+	V805-000150	3	BOLT, TORX 5	TB-5*16 10.9		
9	+	V805-000170	6	BOLT, TORX 5	TB-5*25 10.9		
10	+	V223-000020	2	BOLT			
11	+	92022-05000	9	NUT	M5		
12	+	V263-000250	2	NUT	M5		
13	+	92217-05000	1	WASHER			
14		X431-000100	1	BLUNT			
15		V150-003700	1	PLATE,EYE			
16		V263-000250	8	NUT	M5		

3. CYLINDER, CRANKCASE, PISTON



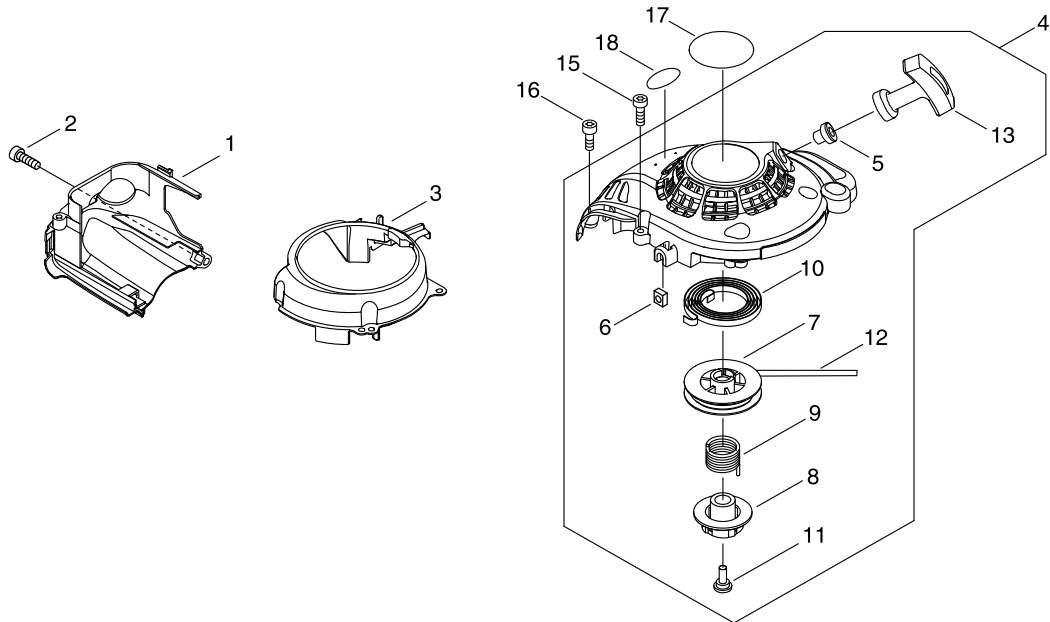
KEY	LV	PART NUMBER	Q'TY	DESCRIPTION	REMARKS	NOTE1	NOTE2
1		A011-001180	1	CRANKSHAFT,ASY			
2		A130-001960	1	CYLINDER			
3		V100-000720	1	GASKET,CYL			
4		P021-037930	1	PISTON KIT			
5	+	A101-000090	1	RING,PISTON			
6	+	V606-000020	1	PIN,ENG 8	5.8*8*25.5		
7	+	100015-04630	2	CIRCLIP, PISTON PIN			
8	+	100113-05930	1	BEARING, NEEDLE	8*12*8		
9	+	100014-08960	2	SPACER, PISTON PIN			
10		V203-000170	2	BOLT,5	5*22		
11		P021-038730	1	CRANKCASE SET			
13	+	900810-36000	2	BEARING, BALL			
14	+	100212-61830	2	OILSEAL	ISCD 10*20*5		
15		V102-000240	1	GASKET,CRANKCASE			
16		91128-05028	3	BOLT HSH			
17		V420-003980	1	CUSHION			

4. MAGNETO



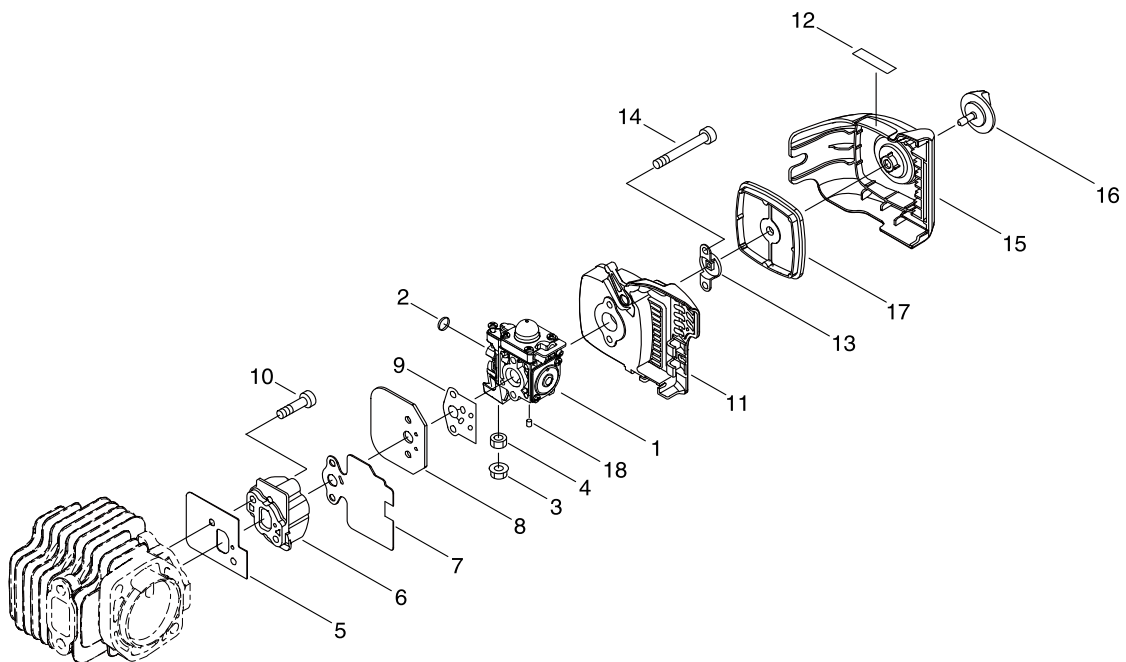
KEY	LV	PART NUMBER	Q'TY	DESCRIPTION	REMARKS	NOTE1	NOTE2
1		A409-001120	1	ROTOR, MAGNETO			
2		A411-001390	1	COIL, IGNITION			
3		92105-06000	1	NUT, FLANGE	M6*1.0 L		
4		100142-12330	1	KEY, WOODRUFF			
5		V804-000100	2	BOLT, TORX 4	TB-4*16 12.9		
6		A514-000260	2	PAWL			
7		900603-00005	2	WASHER 5	5.5*12*0.8		
8		131911-03460	2	WASHER			
9		178070-10860	2	SPACER			
10		V203-000080	2	BOLT,5	5*14		
11		V452-001370	2	SPRING,TORSION			
12		V485-001220	1	LEAD	L:85		
13		156114-04920	1	GROMMET			
14		A425-000000	1	SPARKPLUG	BPMR8Y		
15		A427-000013	1	CAP, SPARK PLUG			
16		A426-000010	1	TERMINAL, SPARKPLUG			

5. RECOIL STARTER



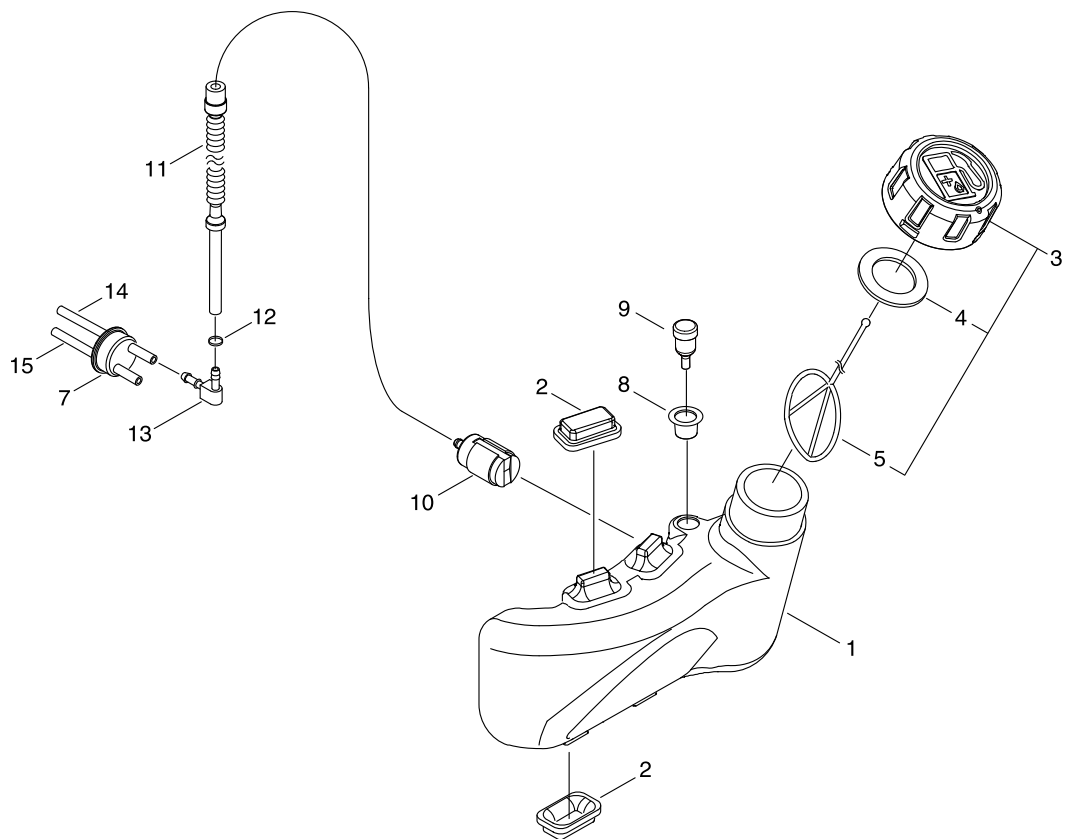
KEY	LV	PART NUMBER	Q'TY	DESCRIPTION	REMARKS	NOTE1	NOTE2
1		A160-002480	1	COVER,CYLINDER			
2		V805-000150	1	BOLT, TORX 5	TB-5*16 10.9		
3		A172-001990	1	COVER,FAN			
4		A051-002382	1	STARTER,RECOIL			
5	+	177227-42030	1	GUIDE, ROPE			
6	+	900565-00005	1	NUT	5		
7	+	P022-027980	1	DRUM, STARTER			
8	+	A525-000030	1	CAM PLATE	A543 081 735 01		
9	+	P022-008270	1	SPRING,DAMPER			
10	+	177220-42030	1	SPRING, REWIND			
11	+	177236-61830	1	SCREW			
12	+	P022-006800	1	ROPE, STARTER	3.0*880		
13	+	177228-44330	1	GRIP, STARTER			
15		V804-000060	4	BOLT, TORX 4	TB-4*16 10.9		
16		V804-000000	1	BOLT, TORX 4	TT-4*12 DG 10.9		
17		X504-007680	1	LABEL, BRAND	SHINDAIWA 47		
18		X5430-04350	1	LABEL, MODEL			

6. AIR CLEANER, CARBURETOR



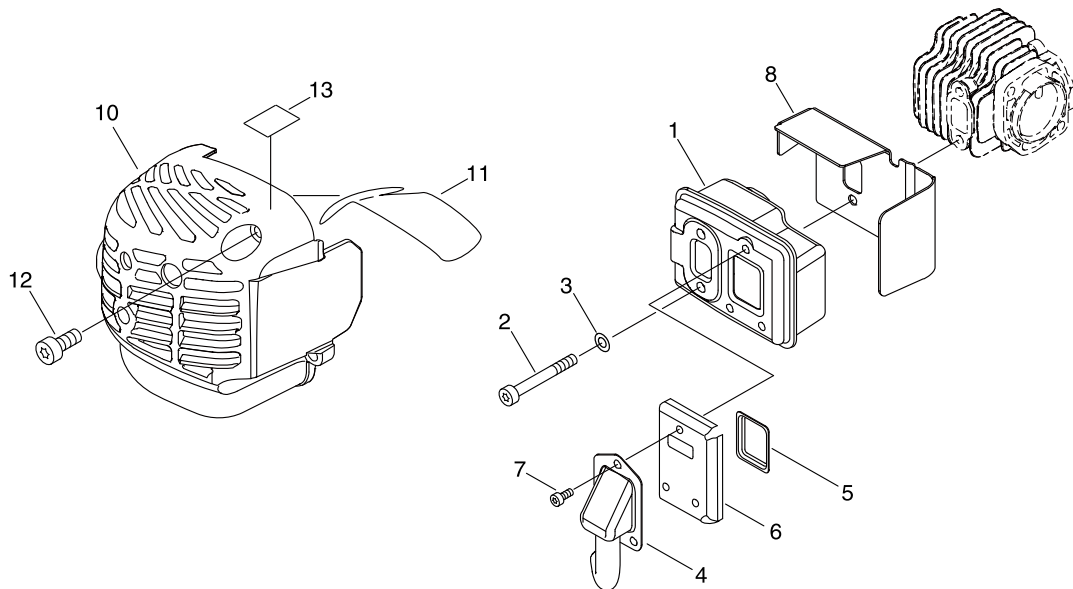
KEY	LV	PART NUMBER	Q'TY	DESCRIPTION	REMARKS	NOTE1	NOTE2
1		A021-004230	1	CARBURETOR,DIAPHRAGM			
2		V490-001100	1	CLIP			
3		900515-00006	1	ワッシャー ナット	6		
4		900502-00006	1	NUT 6 (3N)	3N6		
5		V103-001401	1	GASKET,INTAKE			
6		A200-000940	1	INSULATOR, INTAKE			
7		V103-001410	1	GASKET,INTAKE			
8		A209-000610	1	PLATE, INSULATOR			
9		V103-001420	1	GASKET,INTAKE			
10		V805-000170	2	BOLT, TORX 5	TB-5*25 10.9		
11		P021-041570	1	AIR CLEANER ASY			
12		890332-52730	1	LABEL, CHOKE			
13		A244-000070	1	PLATE,PREVENT			
14		V805-000100	2	BOLT, TORX 5	TB-5*65 10.9		
15		A232-001630	1	LID,CLEANER			
16		V299-000410	1	KNOB			
17		A226-001410	1	ELEMENT,AIR FILTER			
18		A259-000010	1	CAP,LIMITER			

7. FUEL TANK



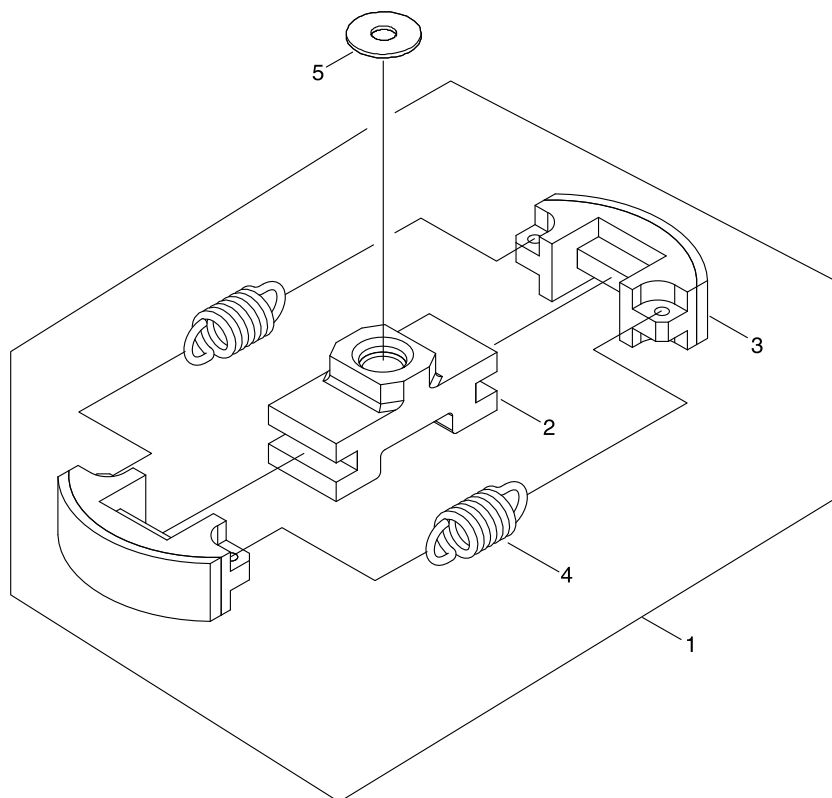
KEY	LV	PART NUMBER	Q'TY	DESCRIPTION	REMARKS	NOTE1	NOTE2
1		A350-001880	1	TANK, FUEL			
2		V420-004490	4	CUSHION			
3		P021-045610	1	FUEL CAP ASY			
4	+	131016-55830	1	GASKET, FUEL CAP			
5	+	A365-000060	1	CONNECTOR,CAP	L=123		
7		132115-44330	1	GROMMET			
8		V137-000000	1	GROMMET,FUEL			
9		A356-000031	1	VALVE,CHECK			
10		131205-07321	1	STRAINER, FUEL			
11		V471-003510	1	PIPE	L=125		
12		V490-000500	1	CLIP			
13		V186-000270	1	JOINT,PIPE			
14		V471-003500	1	PIPE	L=92		
15		132010-49730	1	PIPE 3*6*85	3*6*85 YL		

8. MUFFLER



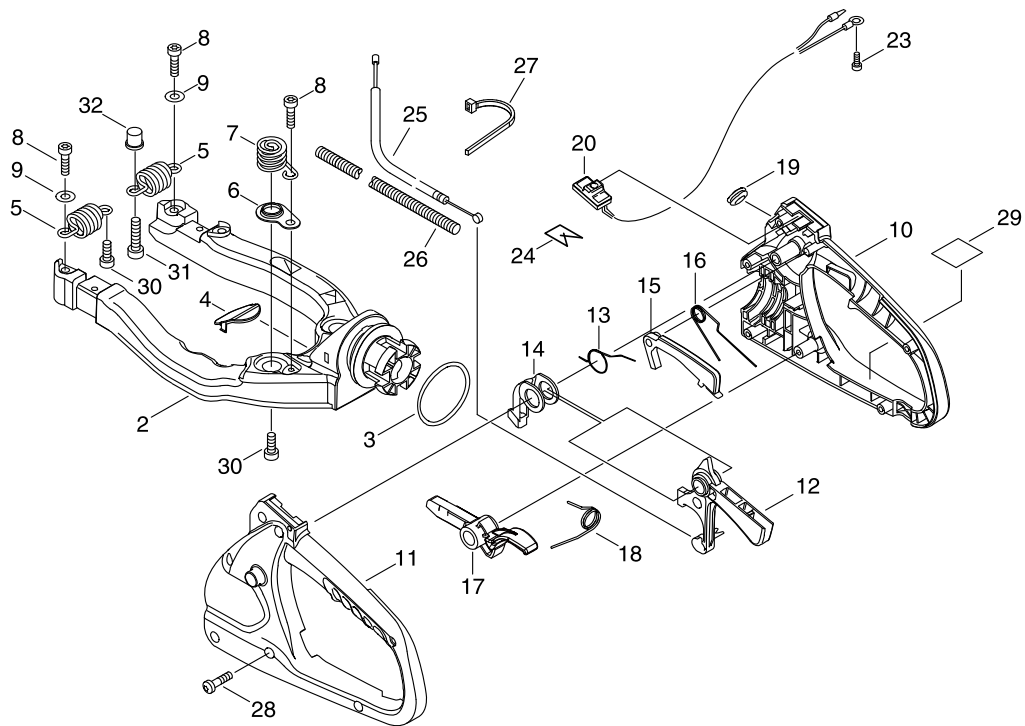
KEY	LV	PART NUMBER	Q'TY	DESCRIPTION	REMARKS	NOTE1	NOTE2
1		A300-001600	1	MUFFLER, EXHAUST			
2		V805-000190	2	BOLT, TORX 5	TB-5*55 12.9		
3		900603-00005	2	WASHER 5	5.5*12*0.8		
4		A313-001741	1	GUIDE, EXH			
5		A310-000070	1	SCREEN, ARRESTOR	22*28*3		
6		V104-000072	1	GASKET, EXHAUST			
7		V804-000030	3	BOLT, TORX 4	TB-4*8 10.9		
8		V104-001831	1	GASKET, EXHAUST			
10		A320-000990	1	COVER, MUFFLER			
11		A209-000620	1	PLATE, INSULATOR			
12		V805-000150	2	BOLT, TORX 5	TB-5*16 10.9		
13		X505-002310	1	LABEL, CAUTION	HOT CAUTION		

9. CLUTCH



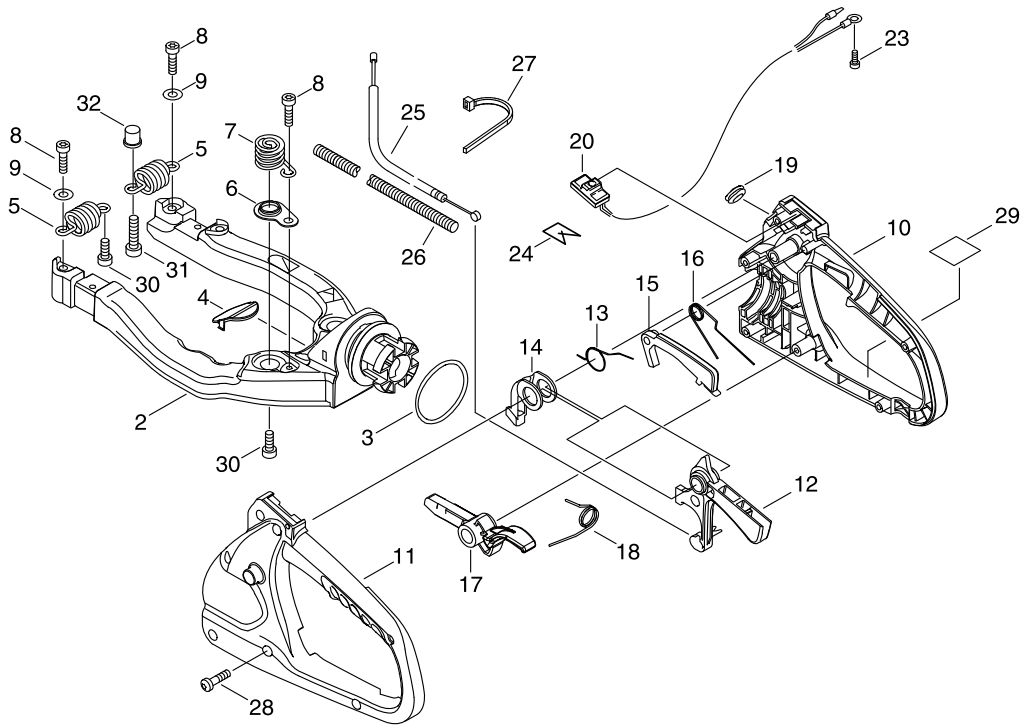
KEY	LV	PART NUMBER	Q'TY	DESCRIPTION	REMARKS	NOTE1	NOTE2
1		A056-000700	1	CLUTCH ASY			
2	+	175016-52130	1	HUB, CLUTCH			
3	+	175017-44331	2	SHOE, CLUTCH			
4	+	A566-000000	2	SPRING, CLUTCH			
5		610350-12360	1	WASHER			

10. REAR HANDLE



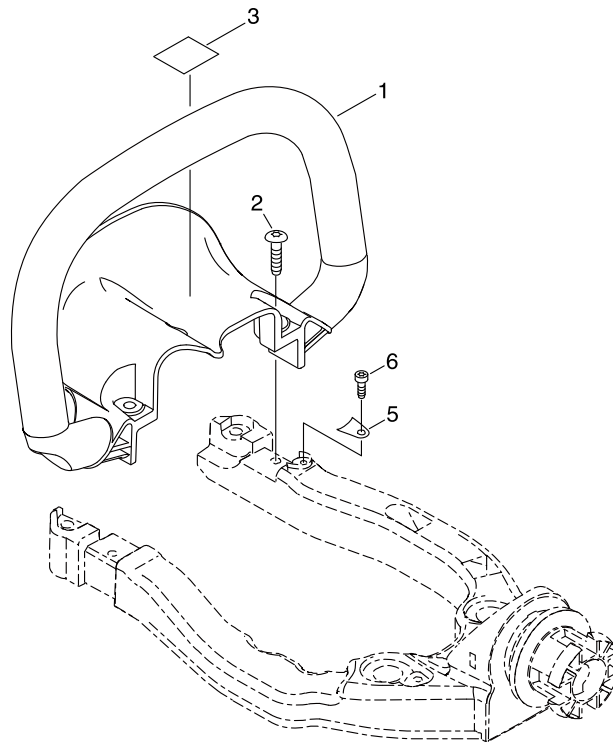
KEY	LV	PART NUMBER	Q'TY	DESCRIPTION	REMARKS	NOTE1	NOTE2
2		C600-001191	1	FRAME			
3		92501-05000	1	O-RING	G50		
4		C411-000111	1	LID,HANDLE			
5		V450-001820	2	SPRING,COMPRESSION			
6		V456-000150	2	PLATE			
7		V450-001830	2	SPRING,COMPRESSION			
8		V806-000000	4	BOLT, TORX 6	TT-6*20 DG 10.9		
9		92223-06000	2	WASHER			
10		C410-000662	1	HANDLE, REAR			
11		C410-001220	1	HANDLE, REAR			
12		C450-000560	1	THROTTLE LEVER			
13		V452-000650	1	COIL SPRING			
14		C453-000370	1	SUB LEVER			
15		C460-000220	1	LOCK LEVER			
16		V452-000660	1	THROTTLE SPRING			
17		C661-000060	1	LOCK LEVER			
18		V452-000670	1	LOCK SPRING			
19		V162-000400	1	GROMMET			
20		P021-041650	1	SWITCH,ON OFF			
23		V804-000030	1	BOLT, TORX 4	TB-4*8 10.9		
24		V490-000670	1	CLIP			
25		V430-003890	1	CABLE,BOWDEN			
26		V475-004030	1	TUBE	7*180		
27		V495-002400	2	BAND			

10. REAR HANDLE



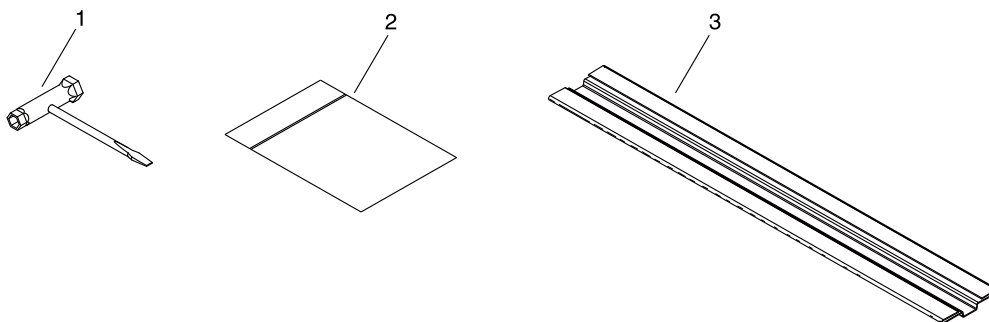
KEY	LV	PART NUMBER	Q'TY	DESCRIPTION	REMARKS	NOTE1	NOTE2
28		V804-000010	6	BOLT, TORX 4	TT-4*16 DG 10.9		
29		X505-003370	1	LABEL INST			
30		V806-000120	3	BOLT, TORX 6	TB-6*12 10.9		
31		V806-000020	1	BOLT, TORX 6	TB-6*25 10.9		
32		V494-000690	1	CAP			

11. HANDLE



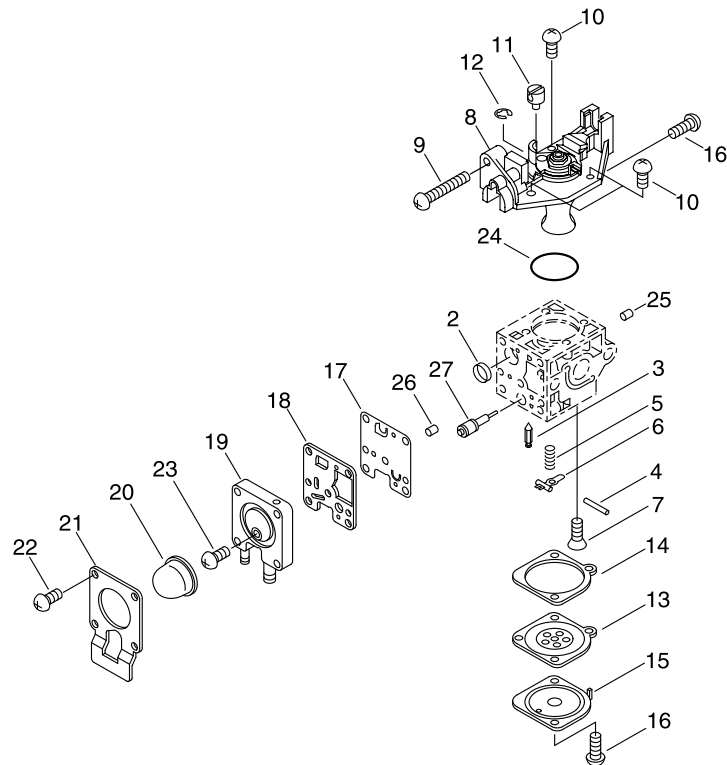
KEY	LV	PART NUMBER	Q'TY	DESCRIPTION	REMARKS	NOTE1	NOTE2
1		C400-001190	1	HANDLE, FRONT			
2		V806-000080	2	BOLT, TORX 6	TT-6*25 DG 10.9		
3		X505-002030	1	LABEL, CAUTION	37*35		
5		433144-15130	1	PLATE, EYE			
6		V804-000000	1	BOLT, TORX 4	TT-4*12 DG 10.9		

12. ACCESSORIES



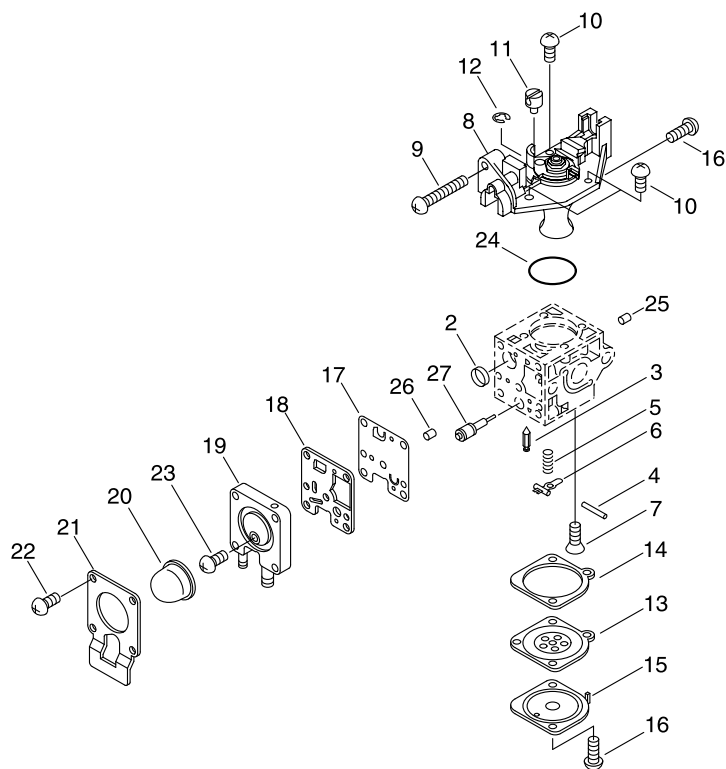
KEY	LV	PART NUMBER	Q'TY	DESCRIPTION	REMARKS	NOTE1	NOTE2
1		X602-000120	1	TOOL,WRENCH	19-13		
2		X705-000100	1	BAG,PACKING	140*200*T0.08		
3		X495-000520	1	SCABBARD,BLADE	EXTRUDED		

13. CARBURETOR



KEY	LV	PART NUMBER	Q'TY	DESCRIPTION	REMARKS	NOTE1	NOTE2
		A021-004230	1	CARBURETOR,DIAPHRAGM			
2	+	P005-000010	1	STRAINER			
3	+	125337-08260	1	VALVE, INLET NEEDLE			
4	+	125338-13930	1	PIN, METERING ARM			
5	+	P005-000940	1	SPRING, METER. LEVER			
6	+	125323-08260	1	ARM, VALVE			
7	+	125339-42030	1	SCREW			
8	+	P005-002050	1	COVER ASY, ROTOR			
9	+	P005-000100	1	SCREW,THROTTLADJUST			
10	+	125344-13931	3	SCREW			
11	+	P005-002200	1	POST			
12	+	P005-000190	1	E-RING			
13	+	P005-002230	1	DIAPHRAGM ,METERING			
14	+	P005-000200	1	GASKET, METERING			
15	+	125342-52130	1	COVER, DIAPHRAGM			
16	+	125344-52130	3	SCREW			
17	+	P005-000510	1	DIAPHRAGM, PUMP			
18	+	P005-000520	1	GASKET, PUMP			
19	+	P005-001890	1	BASE, ASY PRIMER			
20	+	125381-46730	1	PUMP, PRIMING			
21	+	P005-000250	1	RETAINER			
22	+	P005-001900	4	SCREW			
23	+	P005-000270	1	SCREW			
24	+	P005-000280	1	O-RING			
25	+	P005-001000	1	ROLLER, GUIDE			

13. CARBURETOR



KEY	LV	PART NUMBER	Q'TY	DESCRIPTION	REMARKS	NOTE1	NOTE2
26	+	P005-001250	1	RETAINER,PLUG BALL			
27	+	P005-001260	1	SCREW,MAINN MIXTURE			

Index

Patrs Number	Key No.	Patrs Number	Key No.	Patrs Number	Key No.
100014-08960	3 - 9	A056-000700	9 - 1	P005-000520	13 - 18
100015-04630	3 - 7	A101-000090	3 - 5	P005-000940	13 - 5
100113-05930	3 - 8	A130-001960	3 - 2	P005-001000	13 - 25
100142-12330	4 - 4	A160-002480	5 - 1	P005-001250	13 - 26
100212-61830	3 - 14	A172-001990	5 - 3	P005-001260	13 - 27
125323-08260	13 - 6	A200-000940	6 - 6	P005-001890	13 - 19
125337-08260	13 - 3	A209-000610	6 - 8	P005-001900	13 - 22
125338-13930	13 - 4	A209-000620	8 - 11	P005-002050	13 - 8
125339-42030	13 - 7	A226-001410	6 - 17	P005-002200	13 - 11
125342-52130	13 - 15	A232-001630	6 - 15	P005-002230	13 - 13
125344-13931	13 - 10	A244-000070	6 - 13	P021-034241	1 - 6
125344-52130	13 - 16	A259-000010	6 - 18	P021-037930	3 - 4
125381-46730	13 - 20	A300-001600	8 - 1	P021-038730	3 - 11
131016-55830	7 - 4	A310-000070	8 - 5	P021-041560	1 - 1
131205-07321	7 - 10	A313-001741	8 - 4	P021-041570	6 - 11
131911-03460	4 - 8	A313-001850	1 - 19	P021-041650	10 - 20
132010-49730	7 - 15	A320-000990	8 - 10	P021-045610	7 - 3
132115-44330	7 - 7	A350-001880	7 - 1	P022-006800	5 - 12
156114-04920	4 - 13	A356-000031	7 - 9	P022-008270	5 - 9
175016-52130	9 - 2	A365-000060	7 - 5	P022-027980	5 - 7
175017-44331	9 - 3	A409-001120	4 - 1	V060-000071	1 - 9
177220-42030	5 - 10	A411-001390	4 - 2	V100-000720	3 - 3
177227-42030	5 - 5	A425-000000	4 - 14	V102-000240	3 - 15
177228-44330	5 - 13	A426-000010	4 - 16	V103-001401	6 - 5
177236-61830	5 - 11	A427-000013	4 - 15	V103-001410	6 - 7
178070-10860	4 - 9	A514-000260	4 - 6	V103-001420	6 - 9
433144-15130	11 - 5	A525-000030	5 - 8	V104-000072	8 - 6
610350-12360	9 - 5	A556-001430	1 - 11	V104-001831	8 - 8
890332-52730	6 - 12	A566-000000	9 - 4	V110-000120	1 - 17
900330-40080	1 - 4	C400-001190	11 - 1	V137-000000	7 - 8
900502-00006	6 - 4	C410-000662	10 - 10	V150-003700	2 - 15
900515-00006	6 - 3	C410-001220	10 - 11	V162-000390	1 - 15
900565-00005	5 - 6	C411-000111	10 - 4	V162-000400	10 - 19
900602-00005	1 - 23	C450-000560	10 - 12	V186-000270	7 - 13
900603-00005	4 - 7	C453-000370	10 - 14	V187-000080	1 - 5
900603-00005	8 - 3	C460-000220	10 - 15	V203-000080	4 - 10
900802-06001	1 - 2	C532-000200	1 - 12	V203-000170	3 - 10
900804-00608	1 - 7	C536-000170	1 - 22	V223-000020	2 - 10
900810-36000	3 - 13	C600-001191	10 - 2	V263-000250	2 - 12
91128-05028	3 - 16	C603-000260	1 - 14	V263-000250	2 - 16
92022-05000	2 - 11	C661-000060	10 - 17	V299-000410	6 - 16
92105-06000	4 - 3	P005-000010	13 - 2	V303-000240	1 - 20
92217-05000	2 - 13	P005-000100	13 - 9	V376-001380	2 - 7
92223-06000	10 - 9	P005-000190	13 - 12	V376-001390	2 - 6
92501-05000	10 - 3	P005-000200	13 - 14	V420-003980	3 - 17
A011-001180	3 - 1	P005-000250	13 - 21	V420-004490	7 - 2
A021-004230	6 - 1	P005-000270	13 - 23	V430-003890	10 - 25
A021-004230	13 -	P005-000280	13 - 24	V450-001820	10 - 5
A051-002382	5 - 4	P005-000510	13 - 17	V450-001830	10 - 7

Index

Patrs Number	Key No.	Patrs Number	Key No.	Patrs Number	Key No.
V452-000650	10 - 13	X504-007680	5 - 17		
V452-000660	10 - 16	X505-002030	11 - 3		
V452-000670	10 - 18	X505-002310	8 - 13		
V452-001370	4 - 11	X505-003370	10 - 29		
V456-000150	10 - 6	X5430-04350	5 - 18		
V471-003500	7 - 14	X602-000120	12 - 1		
V471-003510	7 - 11	X705-000100	12 - 2		
V475-004030	10 - 26				
V485-001220	4 - 12				
V490-000500	7 - 12				
V490-000670	10 - 24				
V490-001100	6 - 2				
V494-000690	10 - 32				
V495-002400	10 - 27				
V541-000200	1 - 16				
V553-000110	1 - 3				
V553-000110	1 - 8				
V572-000000	1 - 13				
V606-000020	3 - 6				
V655-000070	1 - 10				
V804-000000	5 - 16				
V804-000000	11 - 6				
V804-000010	10 - 28				
V804-000030	8 - 7				
V804-000030	10 - 23				
V804-000060	5 - 15				
V804-000100	4 - 5				
V805-000100	6 - 14				
V805-000110	1 - 24				
V805-000130	1 - 21				
V805-000150	1 - 18				
V805-000150	2 - 8				
V805-000150	5 - 2				
V805-000150	8 - 12				
V805-000170	2 - 9				
V805-000170	6 - 10				
V805-000190	8 - 2				
V806-000000	10 - 8				
V806-000020	10 - 31				
V806-000050	1 - 25				
V806-000080	11 - 2				
V806-000120	10 - 30				
X041-000460	2 - 1				
X411-001290	2 - 4				
X425-000570	2 - 2				
X425-000580	2 - 3				
X425-000590	2 - 5				
X431-000100	2 - 14				
X495-000520	12 - 3				

YAMABIKO CORPORATION

7-2 SUEHIROCHO 1-CHOME, OHME, TOKYO 198-8760, JAPAN
PHONE: 81-428-32-6118. FAX: 81-428-32-6145.

shindaiwa[®]

13Kb
No. 06-110